



US00D928625S

(12) **United States Design Patent**  
**Galvez**

(10) **Patent No.:** **US D928,625 S**

(45) **Date of Patent:** **\*\* Aug. 24, 2021**

(54) **FRAGRANCE CONTAINER**

(71) Applicant: **PUIG FRANCE**, Paris (FR)

(72) Inventor: **Jean-Marc Galvez**, Paris (FR)

(\*\*) Term: **15 Years**

(21) Appl. No.: **35/509,329**

(22) Filed: **Sep. 10, 2019**

(80) **Hague Agreement Data**

Int. Filing Date: **Sep. 10, 2019**

Int. Reg. No.: **DM/207977**

Int. Reg. Date: **Sep. 10, 2019**

Int. Reg. Pub. Date: **May 15, 2020**

(30) **Foreign Application Priority Data**

Mar. 11, 2019 (EM) ..... 006301230

(51) **LOC (13) Cl.** ..... **09-01**

(52) **U.S. Cl.**

USPC ..... **D9/601**; D9/652; D21/578

(58) **Field of Classification Search**

USPC ..... D9/600, 601, 614, 620, 623, 652, 682,

D9/693, 694; D21/578

See application file for complete search history.

(56) **References Cited**

U.S. PATENT DOCUMENTS

D143,576 S \* 1/1946 Claypool ..... D9/623

D201,761 S \* 7/1965 Levy ..... D9/620

D400,431 S \* 11/1998 Gouveia ..... D9/618

D621,886 S \* 8/2010 Lee ..... D21/621

D658,501 S \* 5/2012 Modaberi ..... D9/620

D753,500 S \* 4/2016 Chertoff ..... D9/546

D831,130 S \* 10/2018 Davis ..... D21/621

D867,477 S \* 11/2019 He ..... D21/578

D910,782 S \* 2/2021 Zhou ..... D21/578

D911,459 S \* 2/2021 Xiong ..... D21/578

FOREIGN PATENT DOCUMENTS

CN 306319561 \* 2/2021

ID D0000000315-0001 \* 2/2002

\* cited by examiner

*Primary Examiner* — Keli L Hill

(74) *Attorney, Agent, or Firm* — FisherBroyles, LLP;

Jason M. Pass

(57) **CLAIM**

The ornamental design for a fragrance container, as shown and described.

**DESCRIPTION**

1.-2. Fragrance container

1.1 : Front

1.2 : Back

1.3 : Right

1.4 : Left

1.5 : Top

1.6 : Bottom

2.1 : Front

2.2 : Back

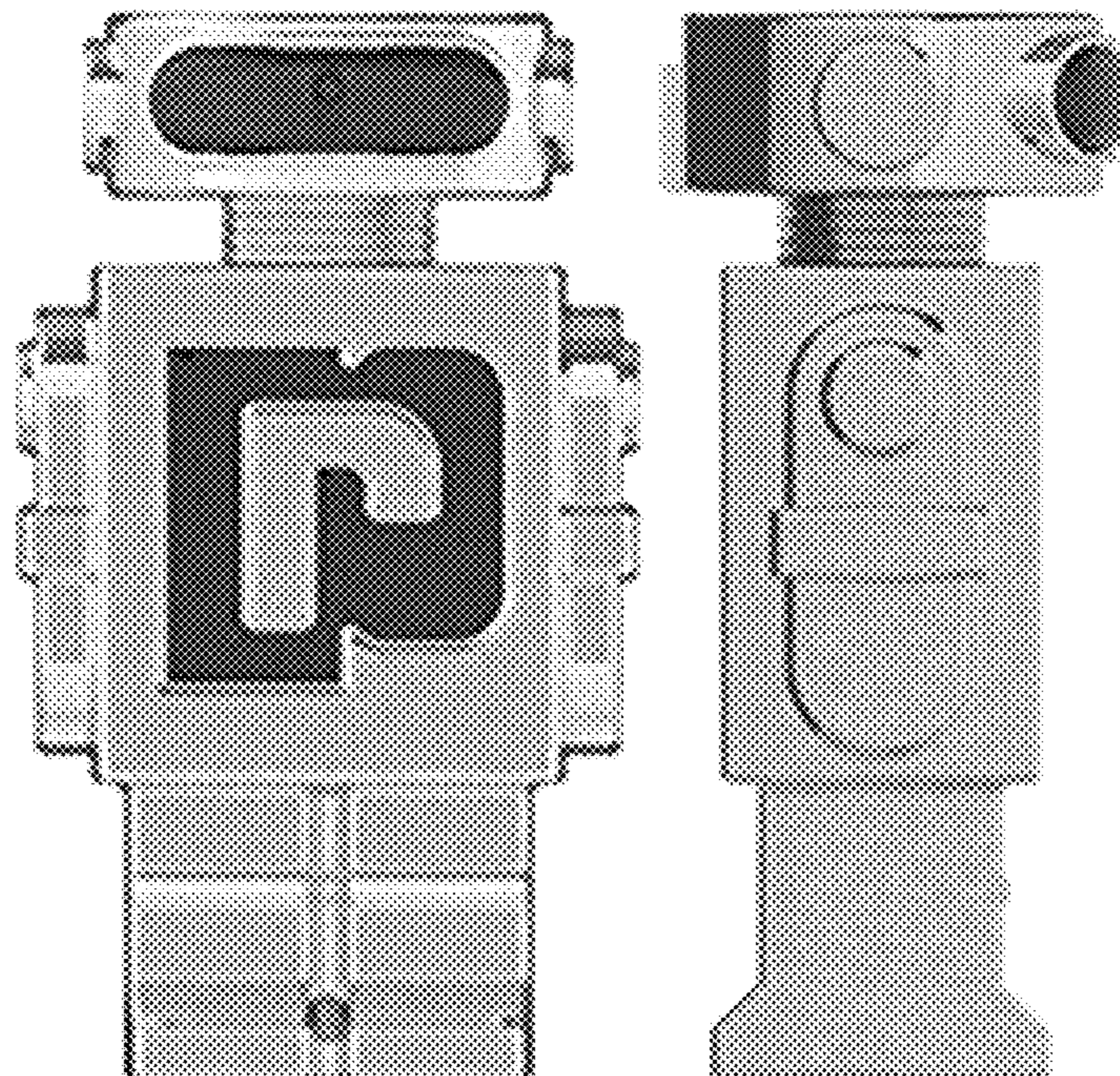
2.3 : Right

2.4 : Left

2.5 : Top

2.6 : Bottom

**1 Claim, 12 Drawing Sheets**



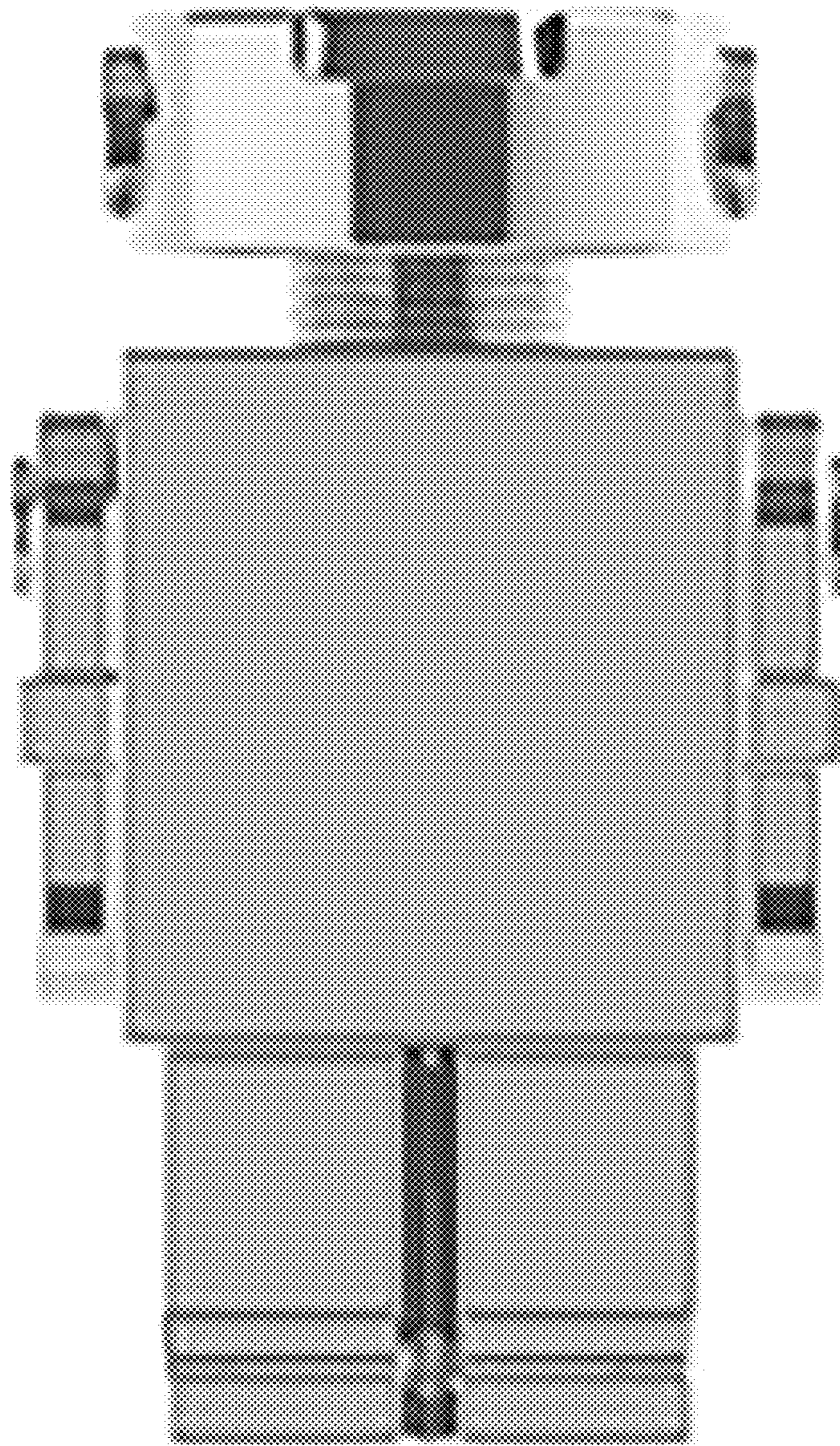


**1.1**



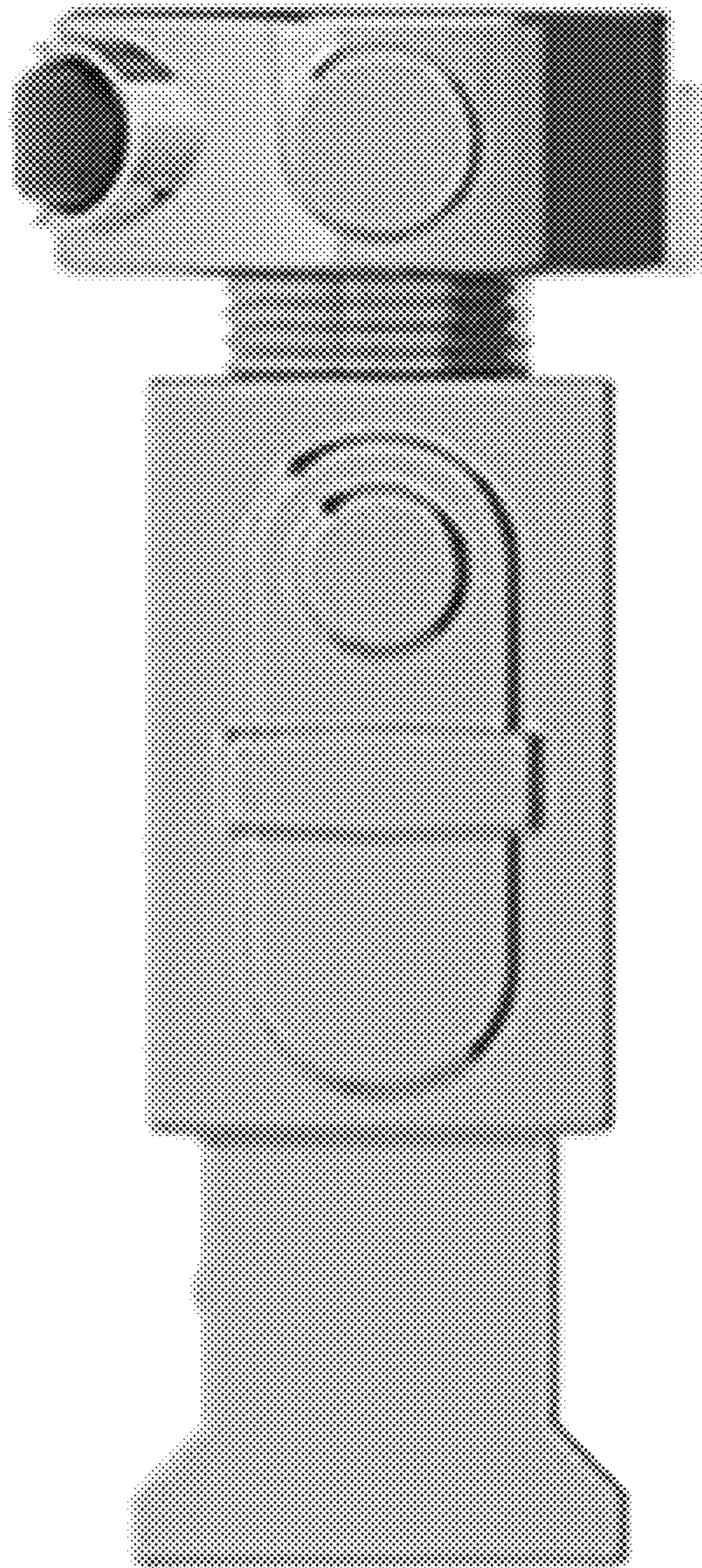


# 1.2

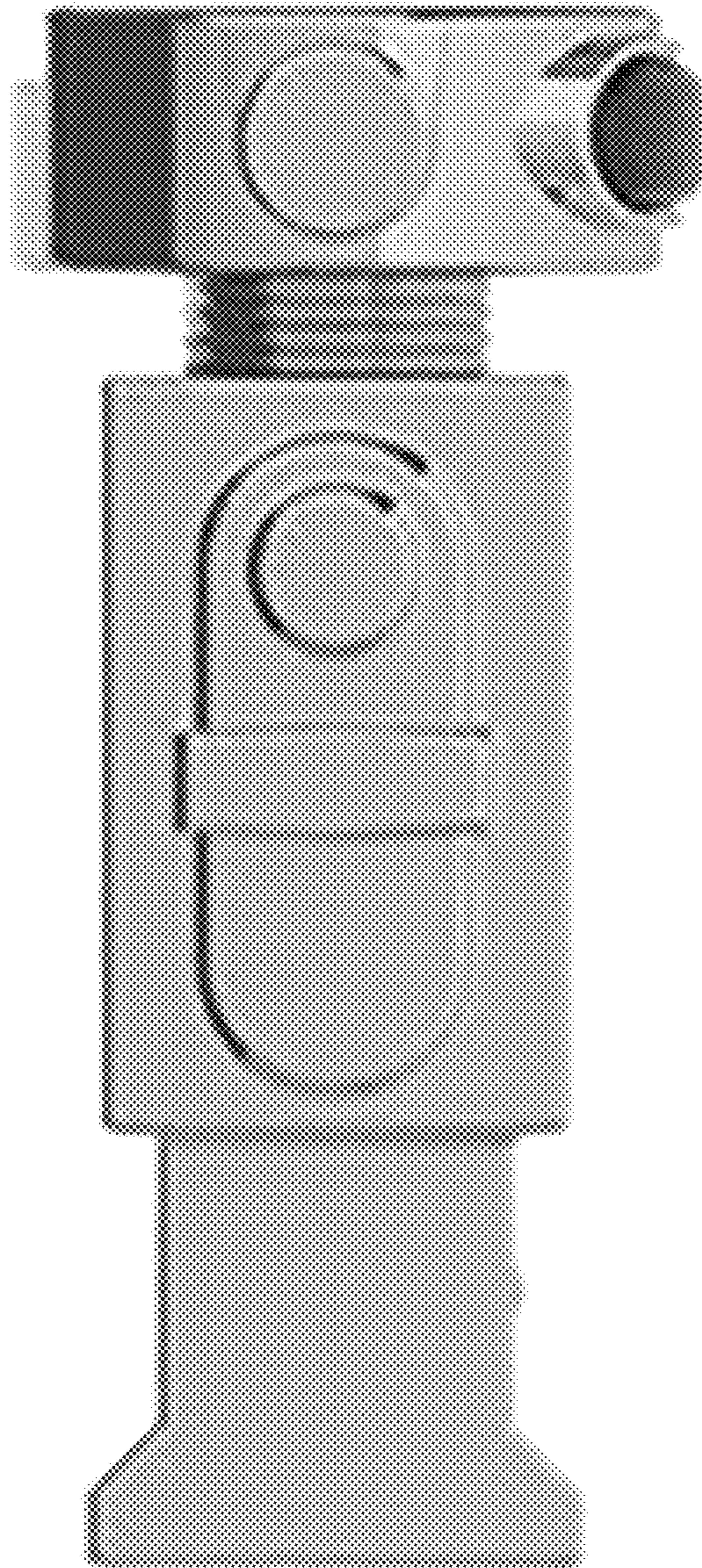




# 1.3

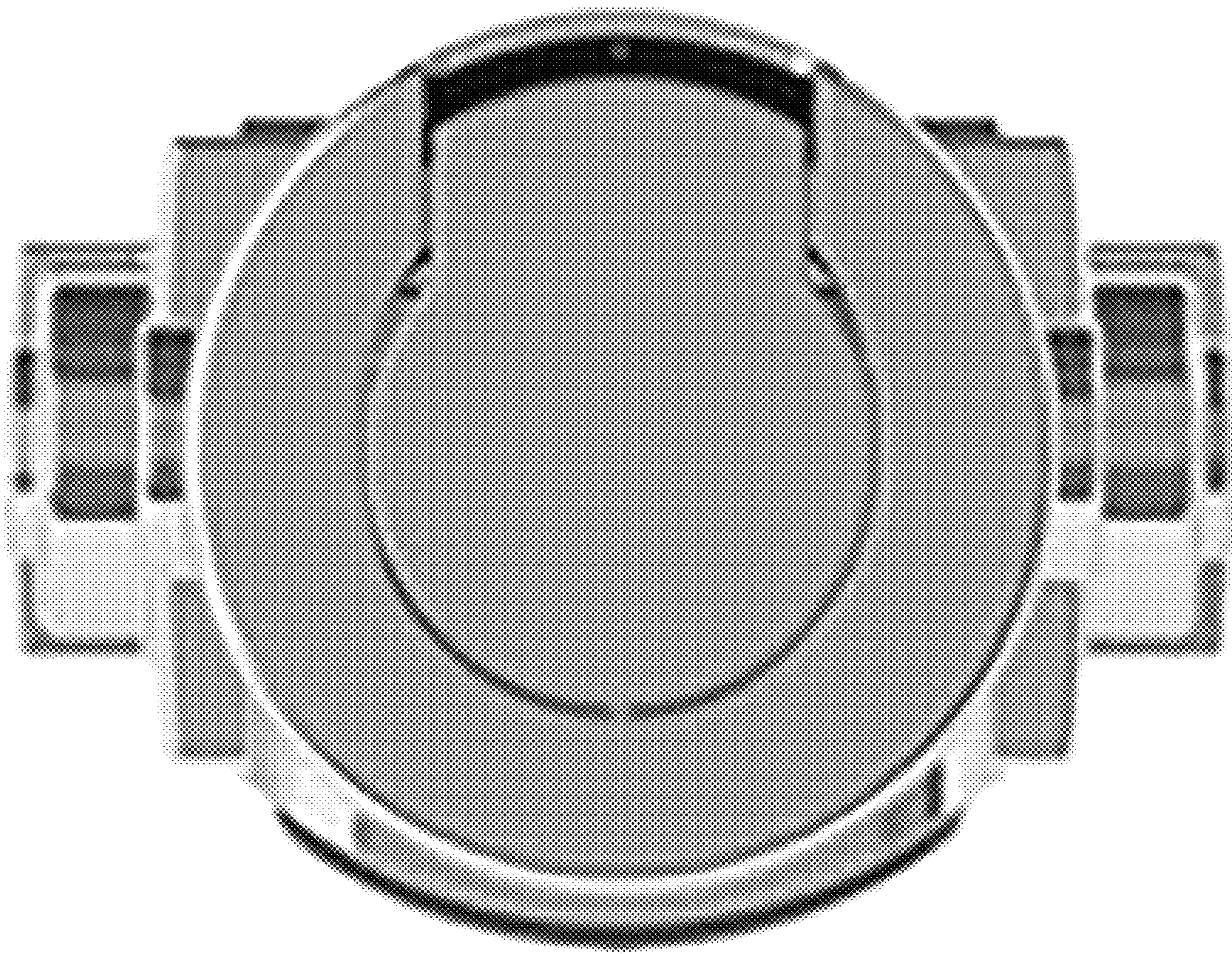


1.4



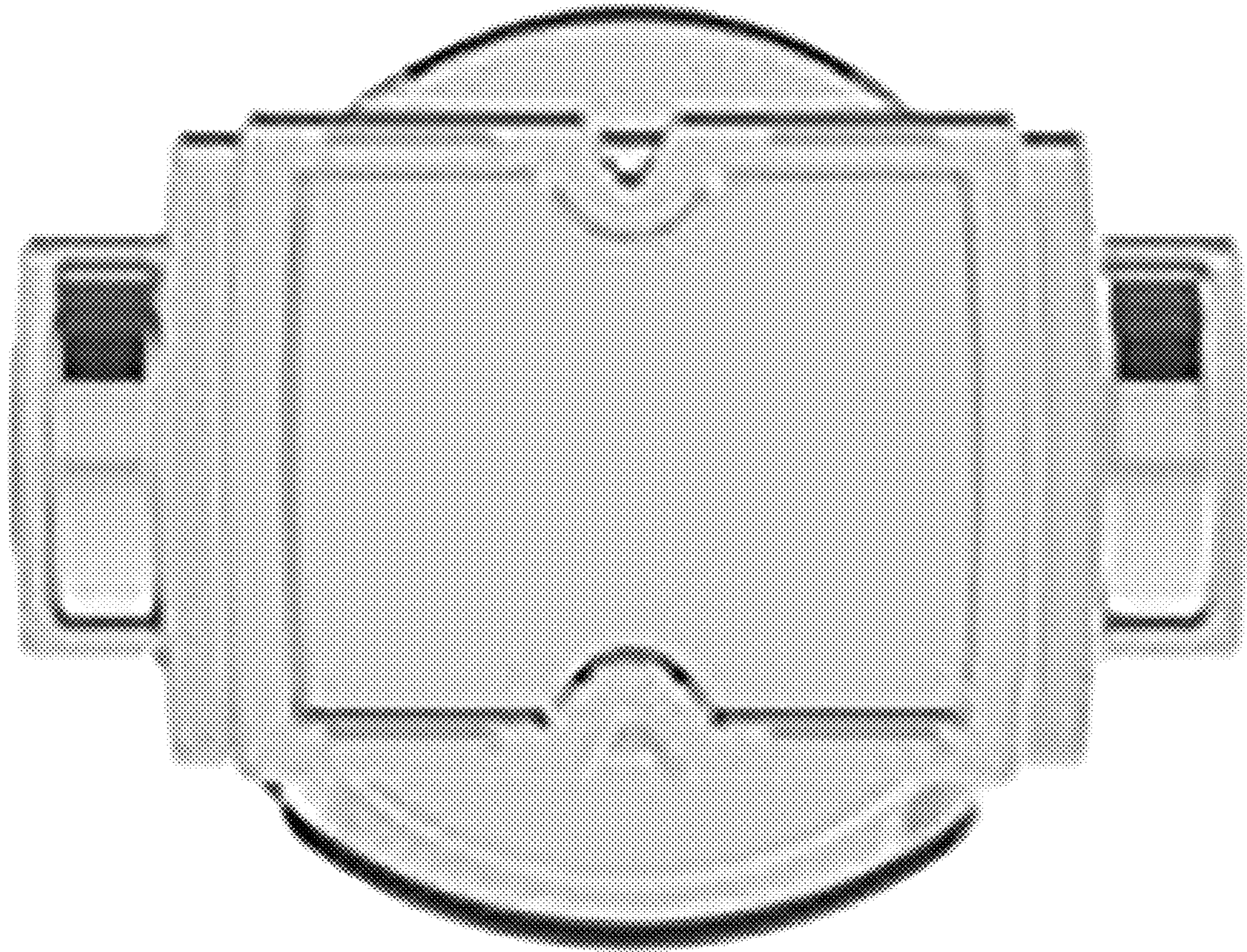


1.5



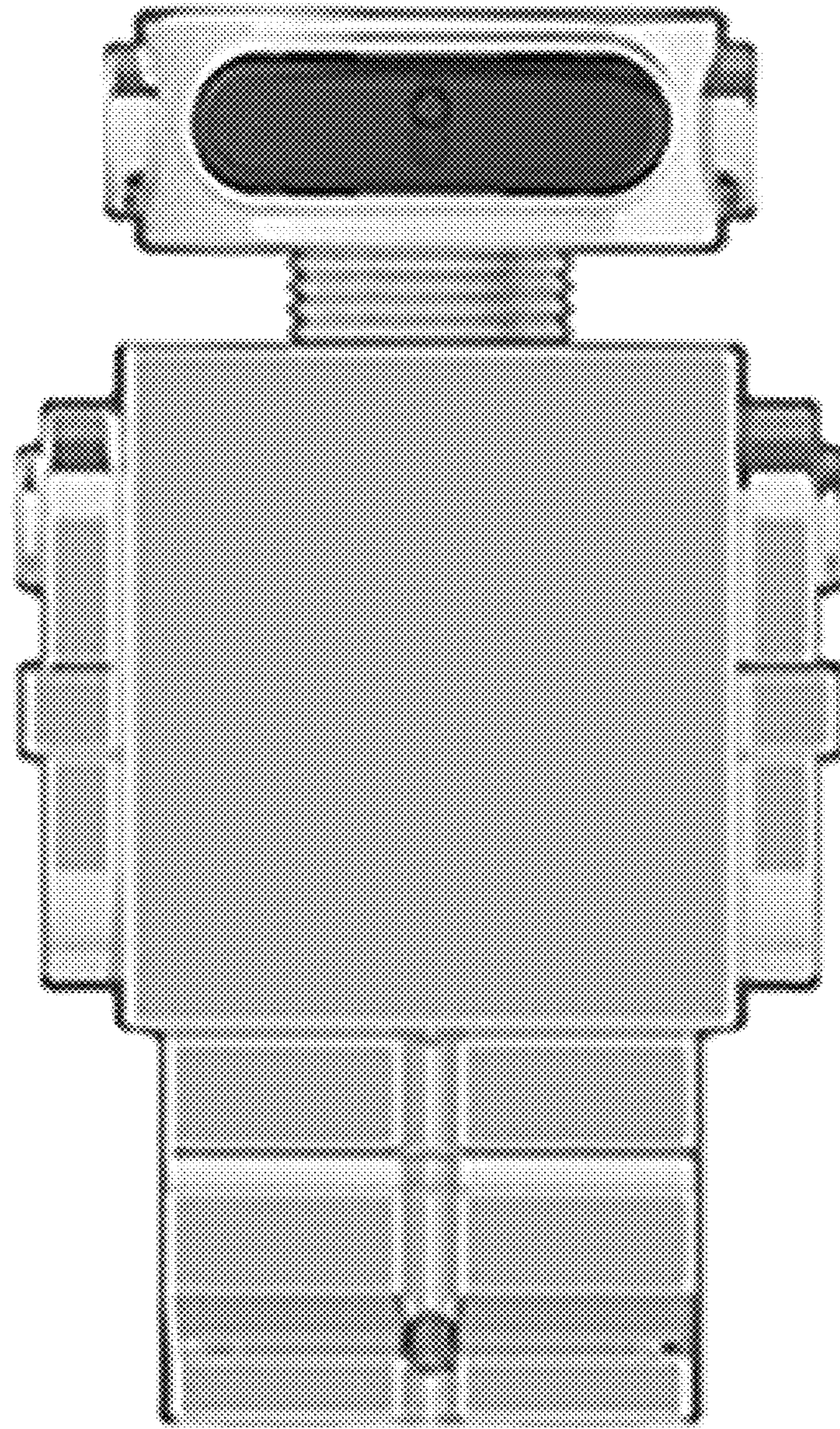


**1.6**



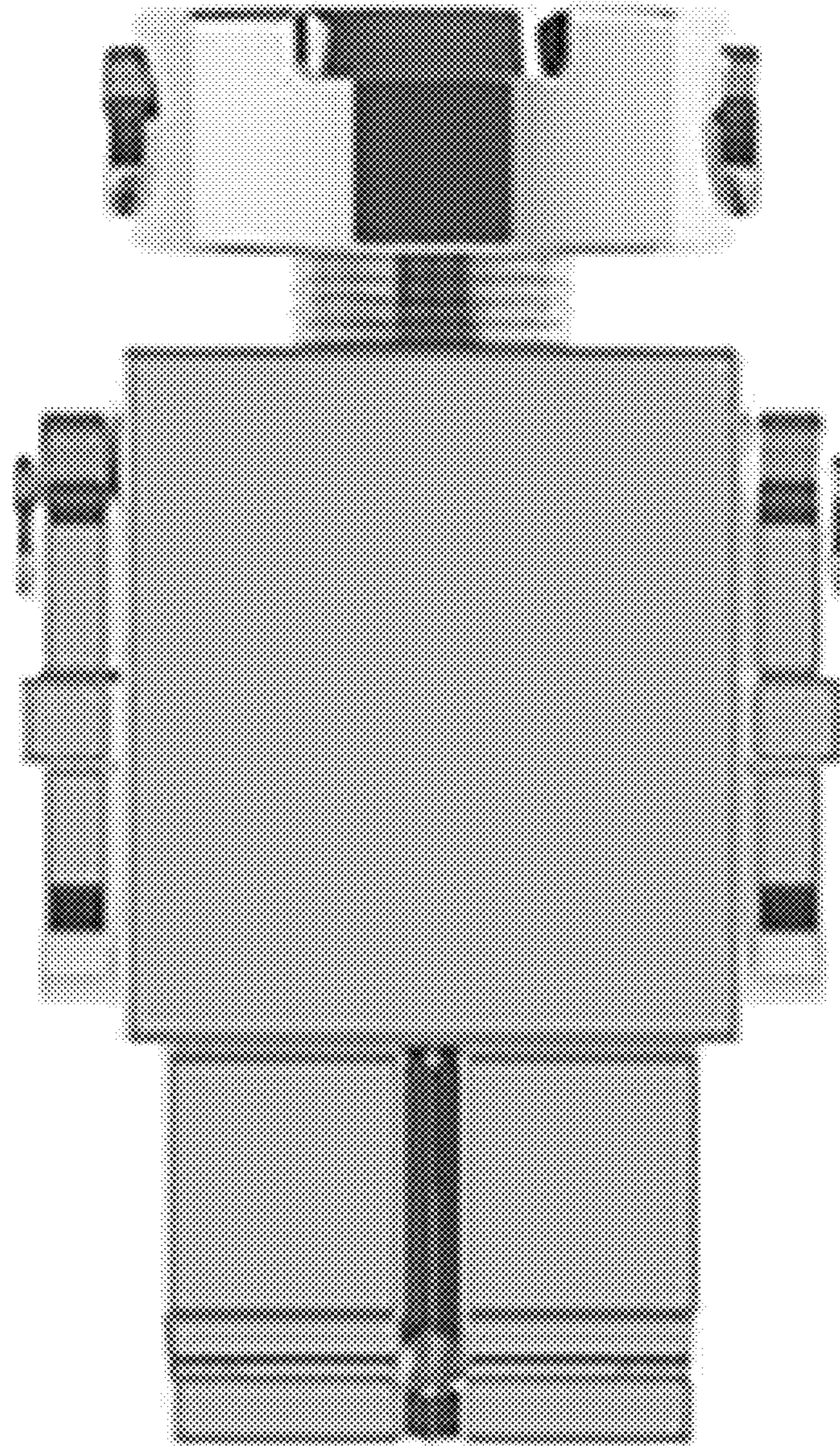


# 2.1



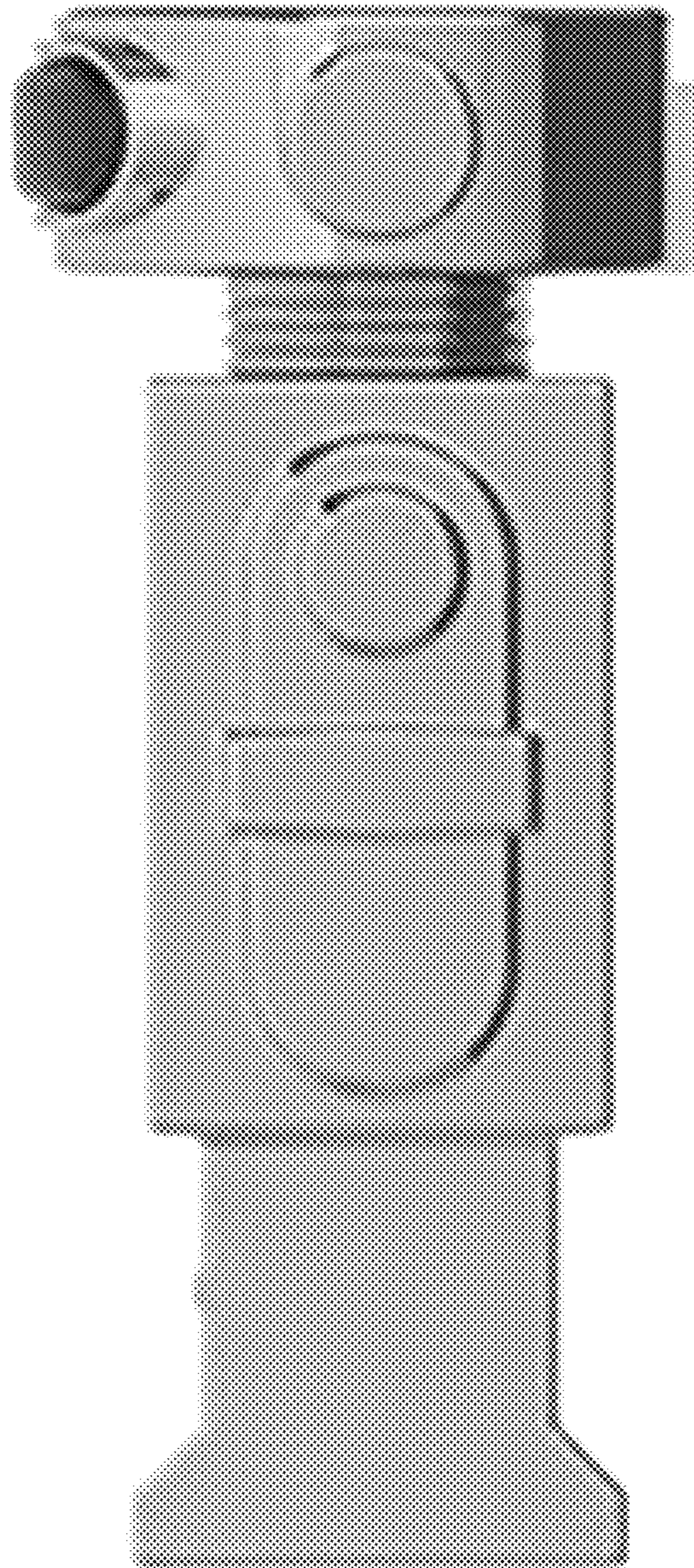


# 2.2



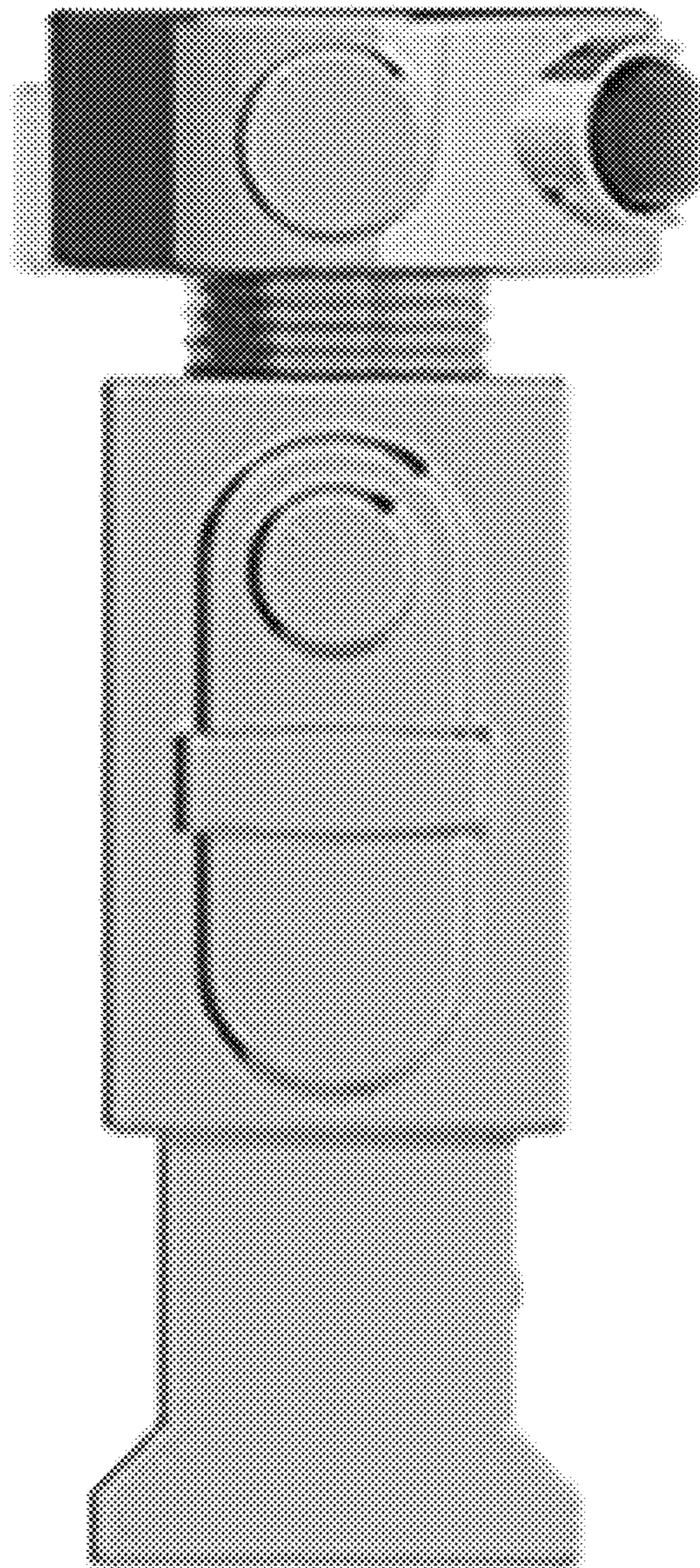


# 2.3



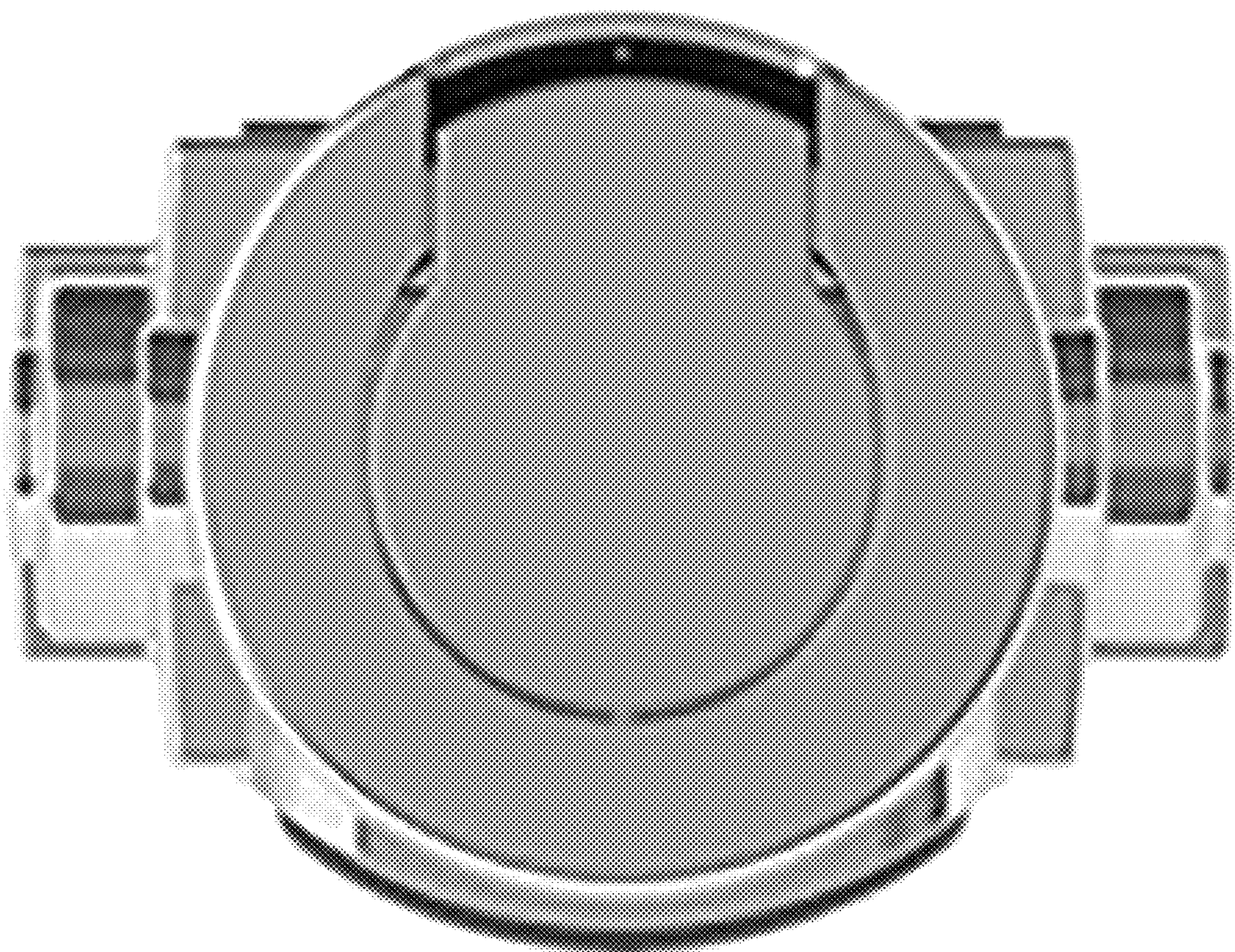


# 2.4





2.5





**2.6**

