



US00D928624S

(12) **United States Design Patent** (10) **Patent No.:** **US D928,624 S**
Lim (45) **Date of Patent:** **** Aug. 24, 2021**

(54) **COSMETIC CONTAINER**
(71) Applicant: **Ocurakose Co., Ltd.**, Seoul (KR)
(72) Inventor: **Sin Young Lim**, Seoul (KR)
(**) Term: **15 Years**

D633,806 S * 3/2011 Lecoule D9/559
D655,612 S * 3/2012 Oge-Nichols D9/559
D678,074 S * 3/2013 De France D9/560
D694,120 S * 11/2013 Baussan D9/652
D740,127 S * 10/2015 Chertoff D9/559
D816,506 S * 5/2018 Jones D9/560
D851,497 S * 6/2019 Zhu D9/687

(21) Appl. No.: **35/509,334**
(22) Filed: **Aug. 6, 2019**

FOREIGN PATENT DOCUMENTS

CN 306235248 * 12/2020
CN 306277508 * 1/2021
KR 301097796.0000 * 3/2021

(80) **Hague Agreement Data**

Int. Filing Date: **Aug. 6, 2019**
Int. Reg. No.: **DM/207870**
Int. Reg. Date: **Aug. 6, 2019**
Int. Reg. Pub. Date: **May 15, 2020**

* cited by examiner

Primary Examiner — Keli L Hill

(51) **LOC (13) Cl.** **09-01**

(57) **CLAIM**

The ornamental design for a cosmetic container, as shown and described.

(52) **U.S. Cl.**

USPC **D9/560**; D9/546; D9/563; D9/520

(58) **Field of Classification Search**

USPC D9/439, 440, 520, 544, 546, 560, 562, 563, 566, 572-575, 723, 900
CPC B01L 3/0272; B29C 2049/2412; B31B 2110/35; B65D 1/0223; B65D 13/02; B65D 2501/00; B65D 2501/0081; B65F 2230/112

DESCRIPTION

See application file for complete search history.

1. Cosmetic container

1.1 : Perspective

1.2 : Front

1.3 : Back

1.4 : Left

1.5 : Right

1.6 : Top

1.7 : Bottom

1.8 : Perspective

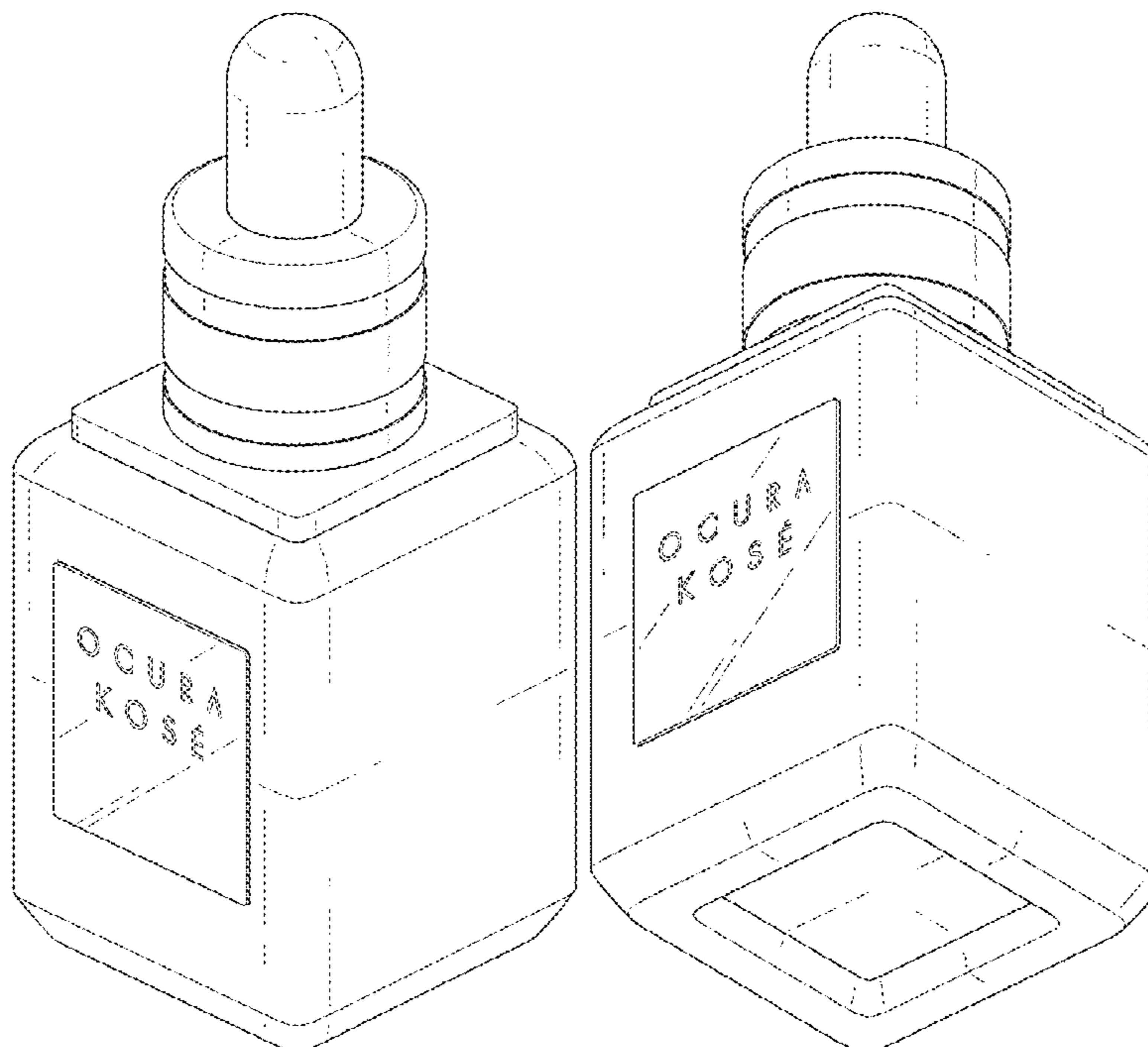
OCURAKOSE® is a United States registered trademark, which is owned by OCURAKOSE Co. Ltd., Republic of Korea.

(56) **References Cited**

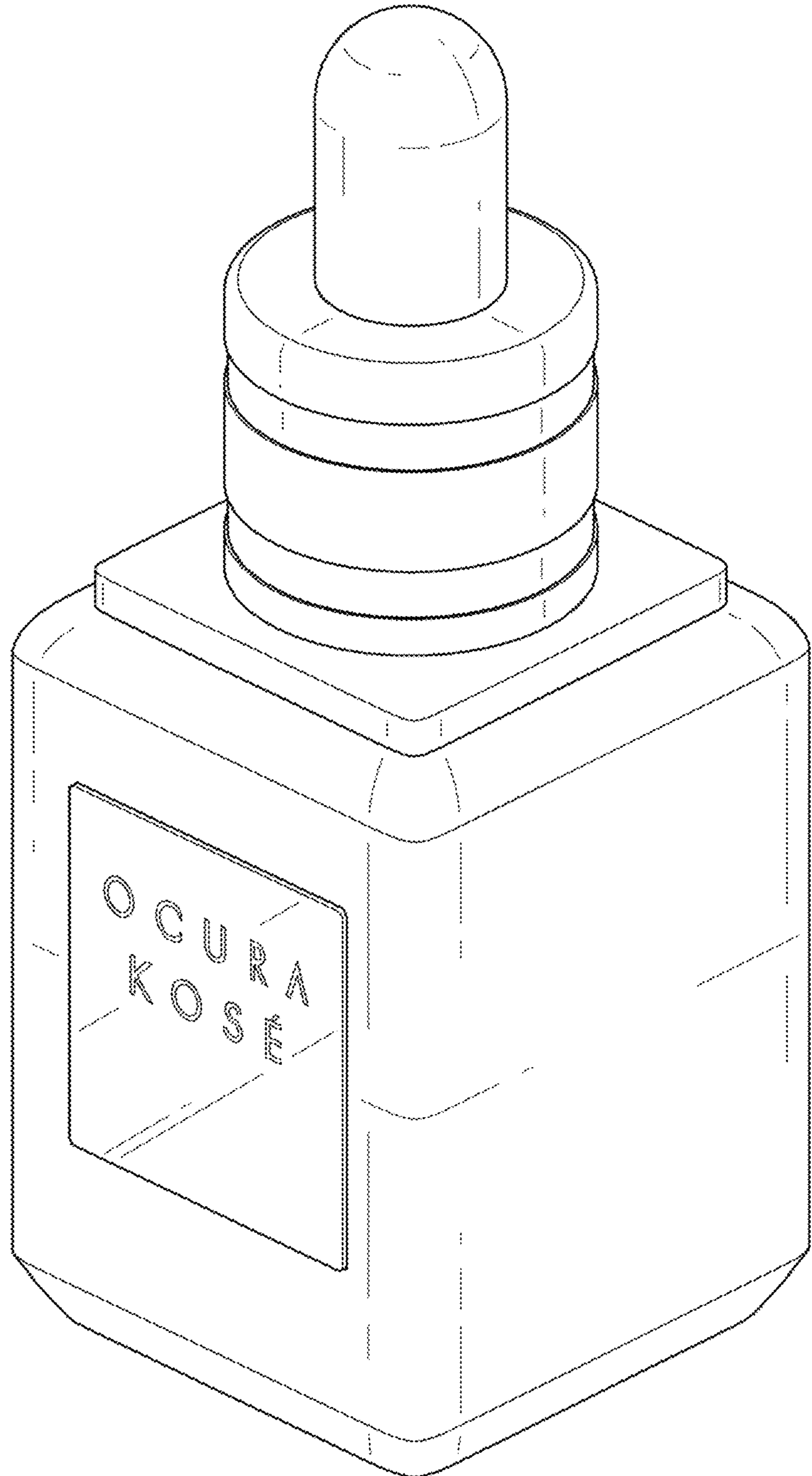
U.S. PATENT DOCUMENTS

D292,275 S * 10/1987 Windett D9/544
D362,808 S * 10/1995 Scott D24/115
D555,002 S * 11/2007 Lloyd D9/544
D604,617 S * 11/2009 Shearsby D9/516

1 Claim, 8 Drawing Sheets



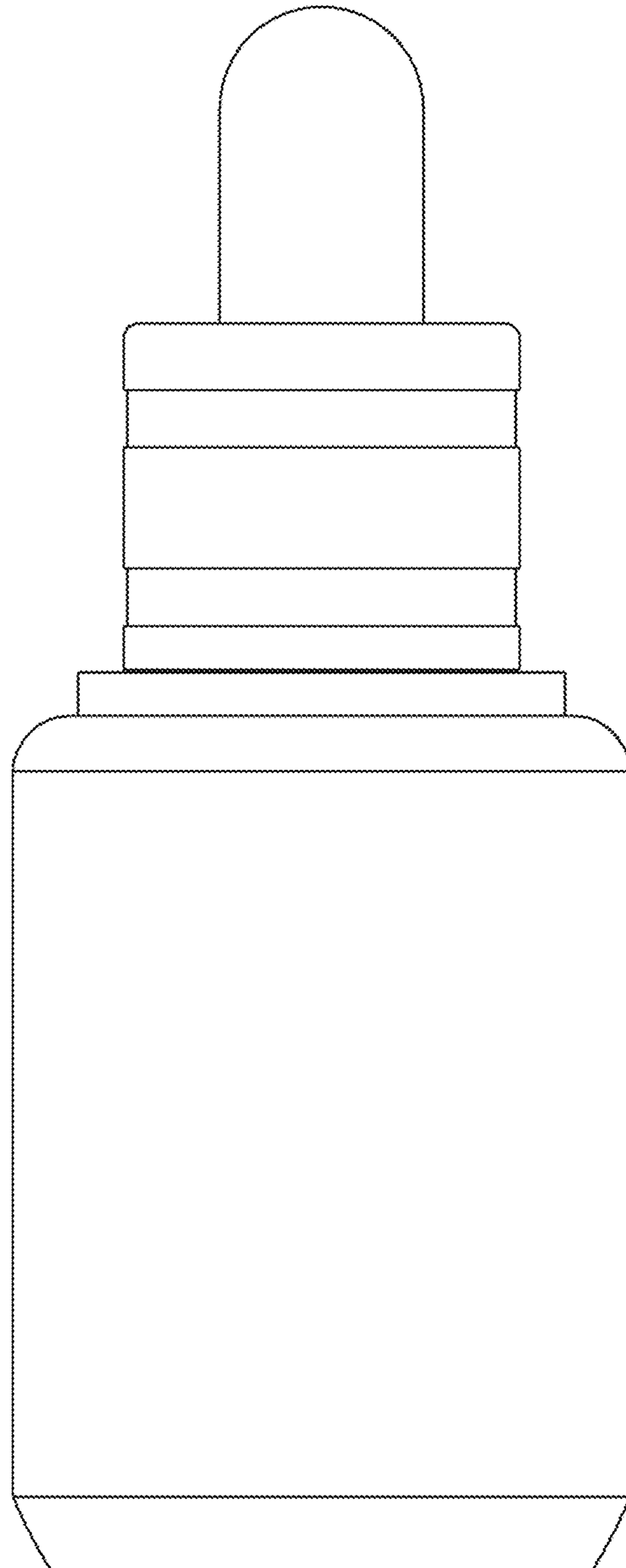
1.1



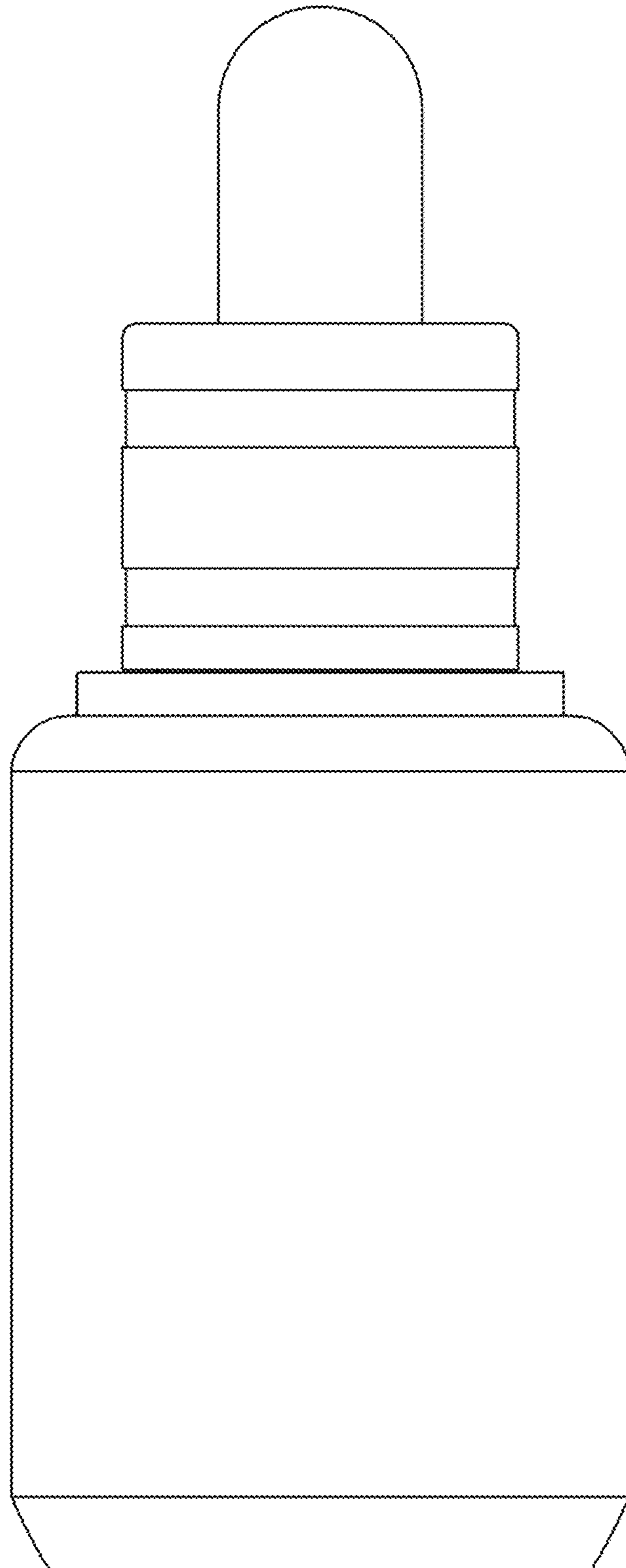
1.2



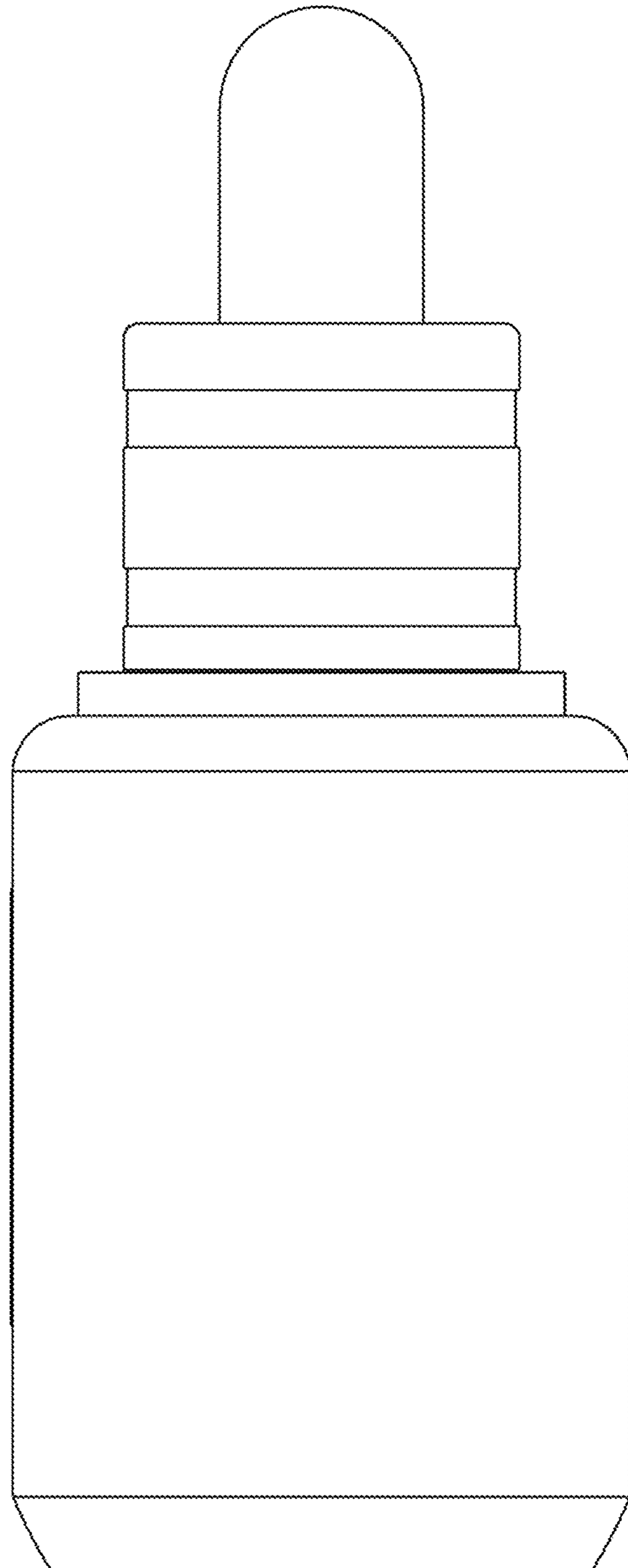
1.3



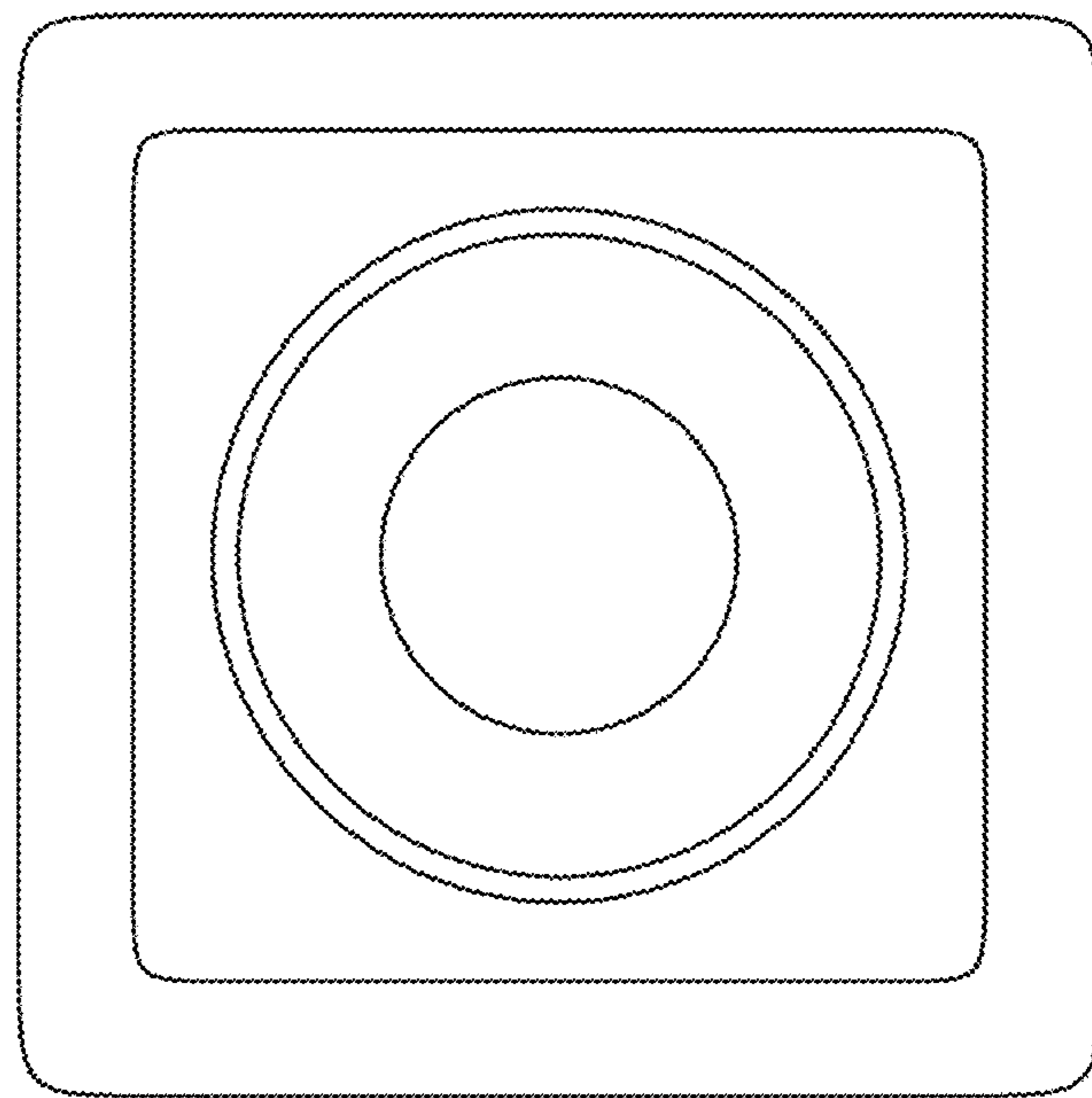
1.4



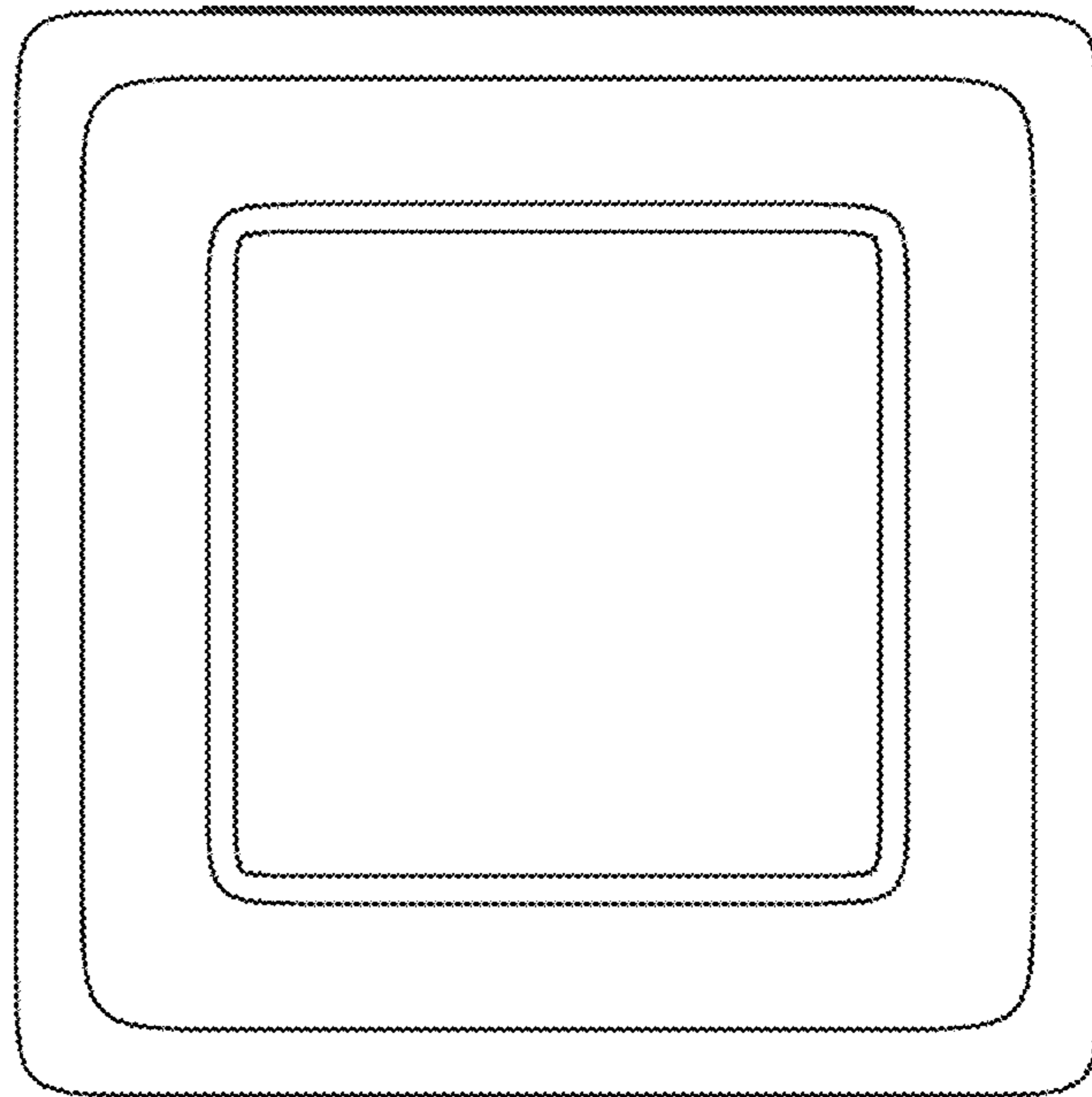
1.5



1.6



1.7



1.8

