

US00D928622S

(12) **United States Design Patent**
O'Donnell

(10) **Patent No.:** **US D928,622 S**

(45) **Date of Patent:** **** Aug. 24, 2021**

(54) **BEVERAGE CONTAINER**

(71) Applicant: **JuiceDelivery, LLC**, San Diego, CA
(US)

(72) Inventor: **Ryne O'Donnell**, San Diego, CA (US)

(73) Assignee: **SOL-TI, INC.**, Dover, DE (US)

(**) Term: **15 Years**

(21) Appl. No.: **29/615,863**

(22) Filed: **Aug. 31, 2017**

(51) **LOC (13) Cl.** **09-01**

(52) **U.S. Cl.**
USPC **D9/560; D9/574**

(58) **Field of Classification Search**
USPC D9/432, 434-436, 452, 516, 529,
D9/530-532, 544-546, 559, 560, 564,
D9/565, 570-575, 715, 719; D32/53,
D32/53.1; D3/203.1, 203.2
CPC B65D 21/0204; B65D 2501/0081; B65D
1/0223; B65D 25/18; B65D 25/2897
See application file for complete search history.

(56) **References Cited**

U.S. PATENT DOCUMENTS

D267,076 S *	11/1982	Hurtig	D9/520
D282,910 S *	3/1986	Biesecker	D9/560
D362,180 S *	9/1995	Haines	D9/529
D393,211 S *	4/1998	Mengeu	D9/543
D489,619 S *	5/2004	Henderson Goodell	D9/500
D491,069 S *	6/2004	Heliste	D9/560
D505,331 S *	5/2005	Lane	D9/542
6,997,336 B2 *	2/2006	Yourist	B65D 1/0223
			215/10
D537,492 S *	2/2007	Paolucci	D21/707
D540,683 S *	4/2007	Dow	D9/520
D548,607 S *	8/2007	Langbein	D9/454
D551,983 S *	10/2007	Barbagli	D9/535
D561,034 S *	2/2008	Francis	D9/530

D561,040 S *	2/2008	Sequeira	D9/548
D569,261 S *	5/2008	Sequeira	D9/560
D601,431 S *	10/2009	Serrano Diaz	D9/542
D632,967 S *	2/2011	Hughes	D9/542
D632,968 S *	2/2011	Hughes	D9/542
D635,031 S *	3/2011	Themann	D9/520
D655,198 S *	3/2012	Finlay	D9/560
D656,405 S *	3/2012	Byron	D9/560
D675,101 S *	1/2013	Wilson	D9/559

(Continued)

OTHER PUBLICATIONS

<https://web.archive.org/web/20091228184941/http://www.sks-bottle.com:80/340c/fin7601.html> (Year: 2009).*

Primary Examiner — George D. Kirschbaum

Assistant Examiner — Joseph J Kukella

(74) *Attorney, Agent, or Firm* — Knobbe, Martens, Olson & Bear LLP

(57) **CLAIM**

An ornamental design for a beverage container, as shown and described herein.

DESCRIPTION

FIG. 1 is a corner-side elevational view of a first embodiment of a beverage container showing my new design.

FIG. 2 is a flat-side elevational view thereof.

FIG. 3 is a top plan view thereof.

FIG. 4 is a bottom plan view thereof.

FIG. 5 is a corner-side elevational view of another embodiment of a beverage container showing my new design.

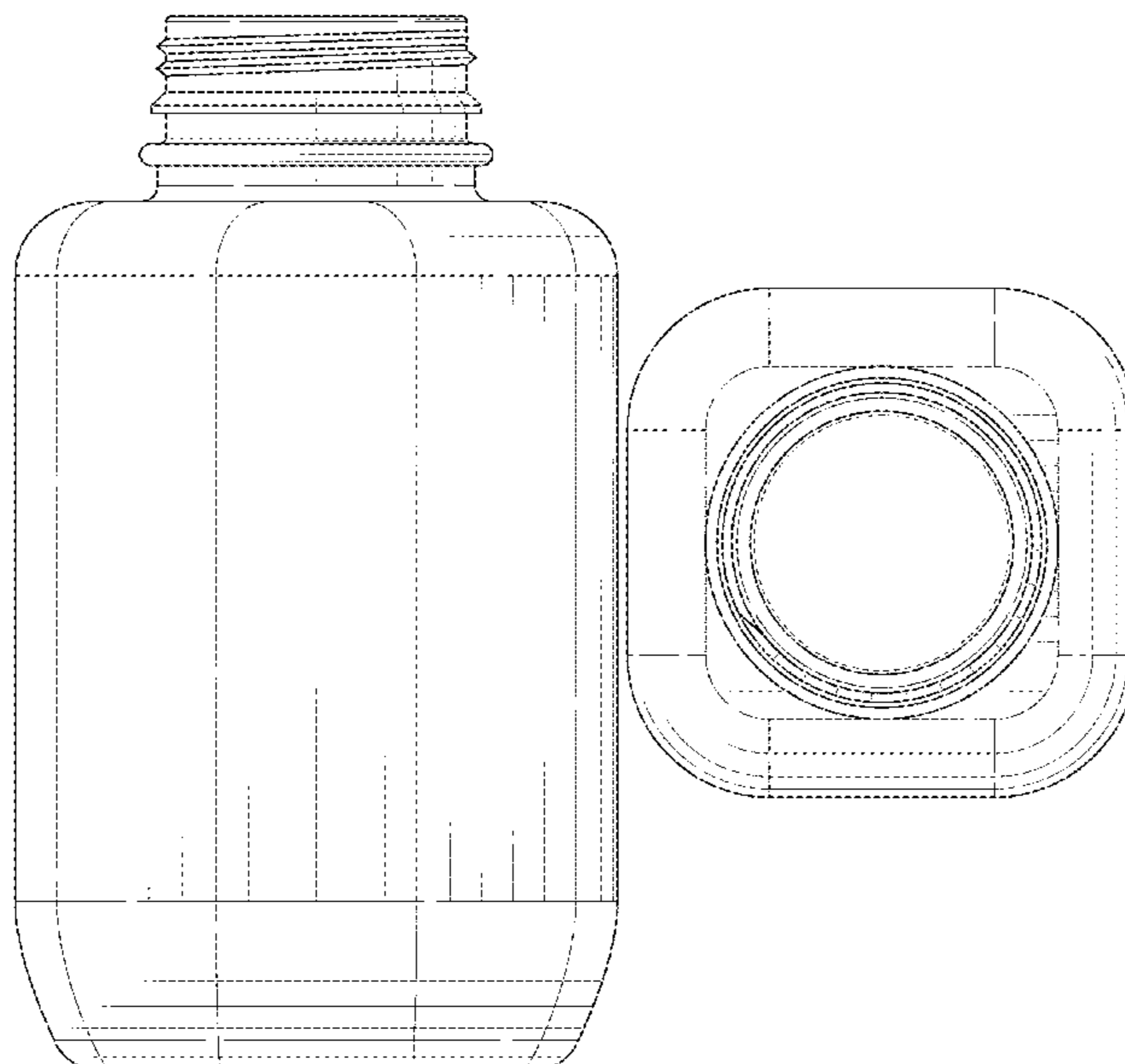
FIG. 6 is a flat-side elevational view thereof.

FIG. 7 is a top plan view thereof; and,

FIG. 8 is a bottom plan view thereof.

The broken lines in the drawings showing the beverage container illustrate the portions of the beverage container that form no part of the claimed design.

1 Claim, 6 Drawing Sheets



(56)

References Cited

U.S. PATENT DOCUMENTS

D715,159	S	*	10/2014	Weiss	D7/509
D717,661	S	*	11/2014	McIntire	D9/560
D719,456	S	*	12/2014	Ivie	D9/560
D735,046	S	*	7/2015	De Lorme	D9/560
D766,093	S	*	9/2016	Otani	D9/452
D787,337	S	*	5/2017	Niesmann	D9/560
D797,568	S	*	9/2017	Miller	D9/560
D807,190	S	*	1/2018	Kuzma	D9/560
D815,952	S	*	4/2018	Chung	D9/560
D830,187	S	*	10/2018	Oesch, Jr.	D9/560
D834,377	S	*	11/2018	Zoske	D7/629
D838,175	S	*	1/2019	Giannantonio ..	D9/516
D845,133	S	*	4/2019	De Lorme	D9/516
D863,972	S	*	10/2019	Staab	D9/560
D873,142	S	*	1/2020	Jones	D9/516

* cited by examiner

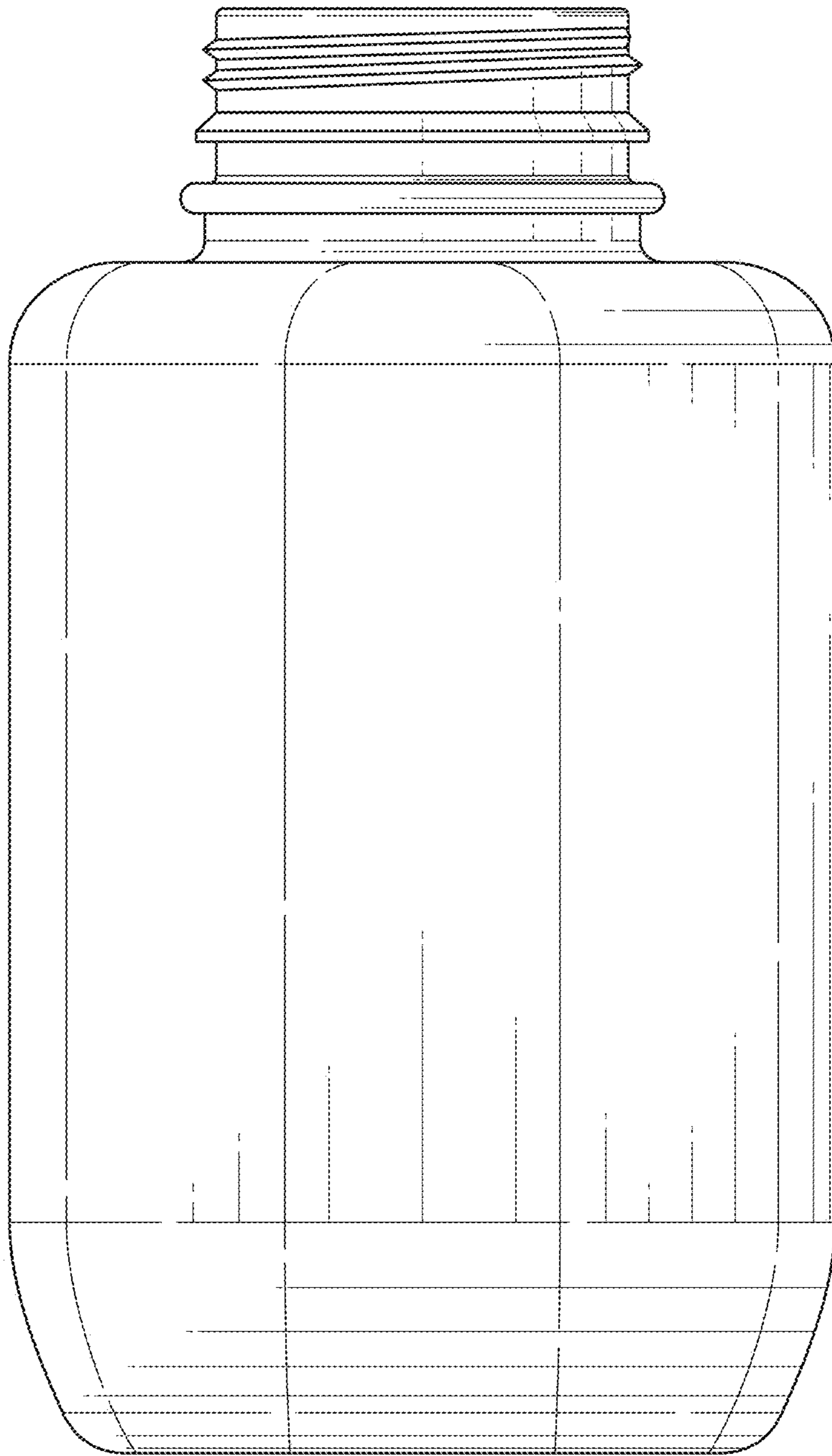


FIG. 1

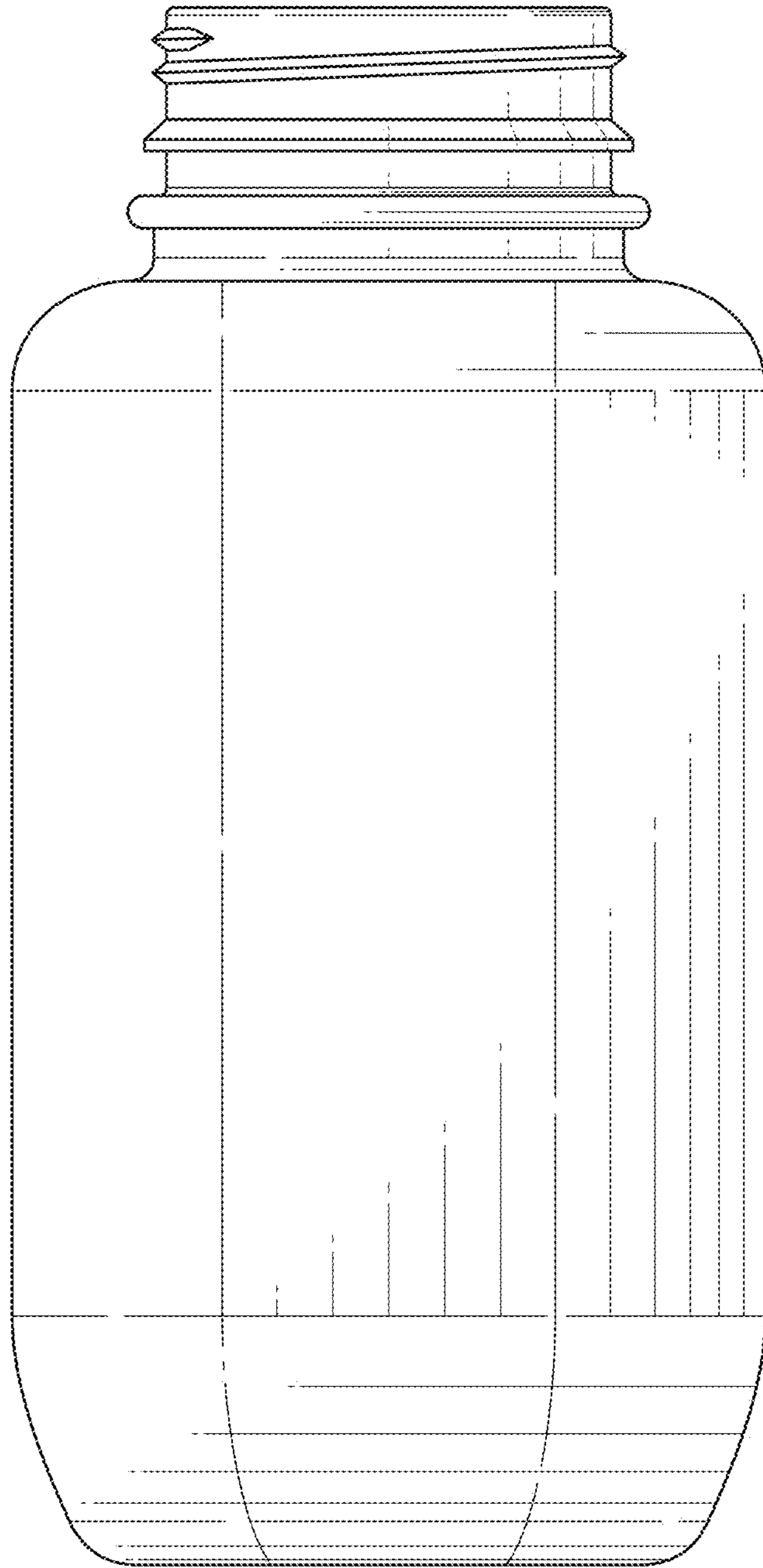


FIG. 2

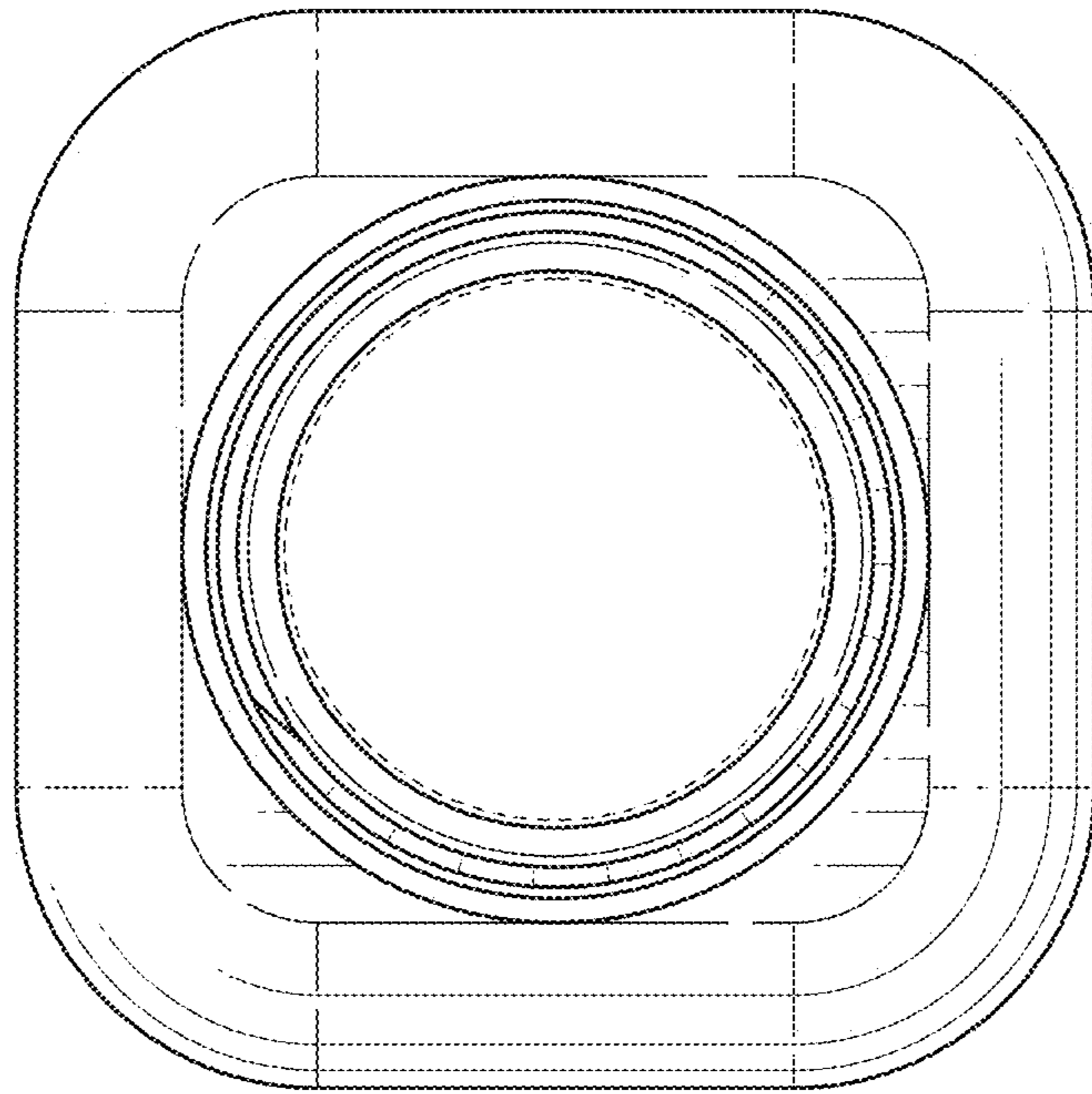


FIG. 3

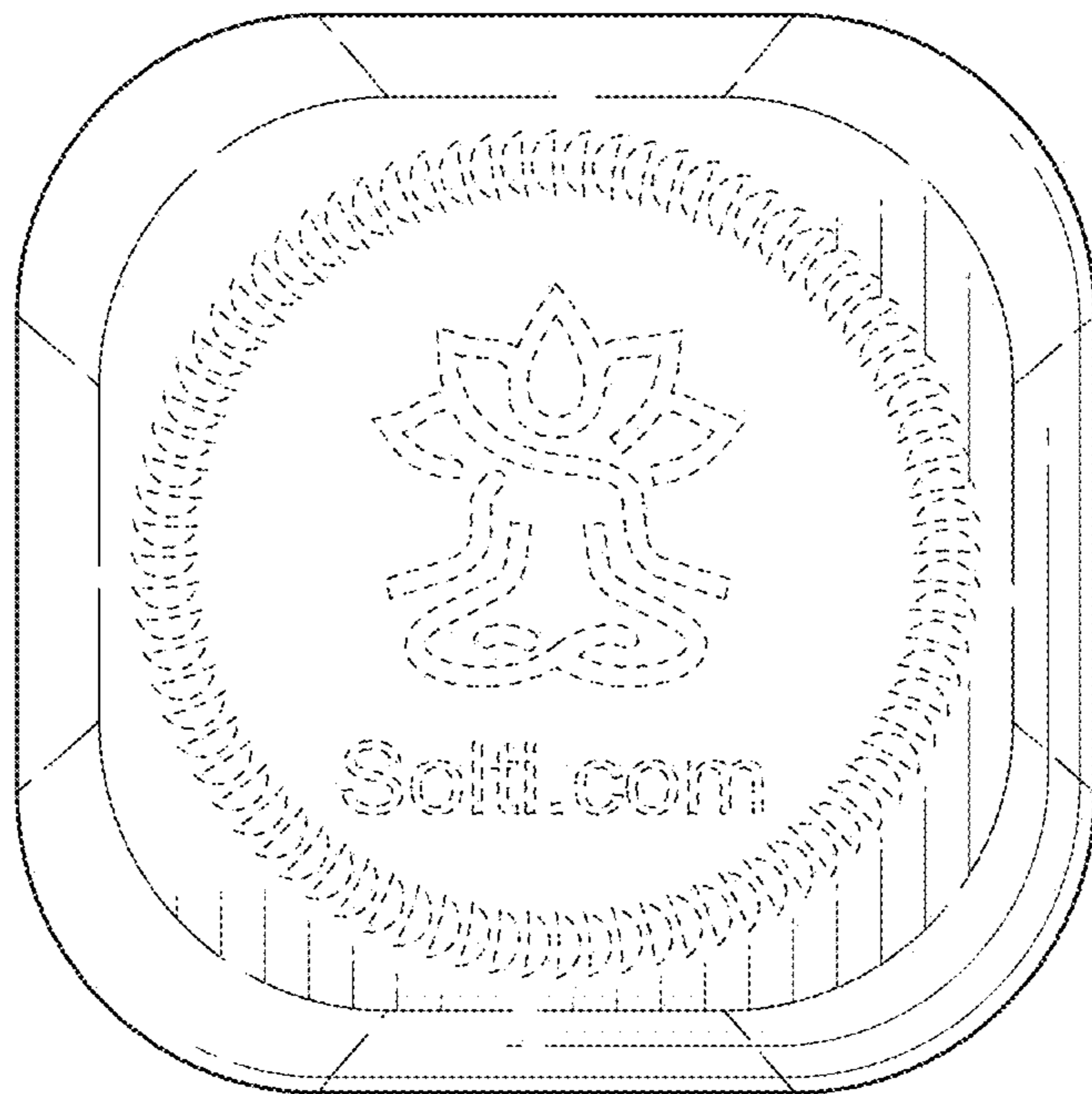


FIG. 4

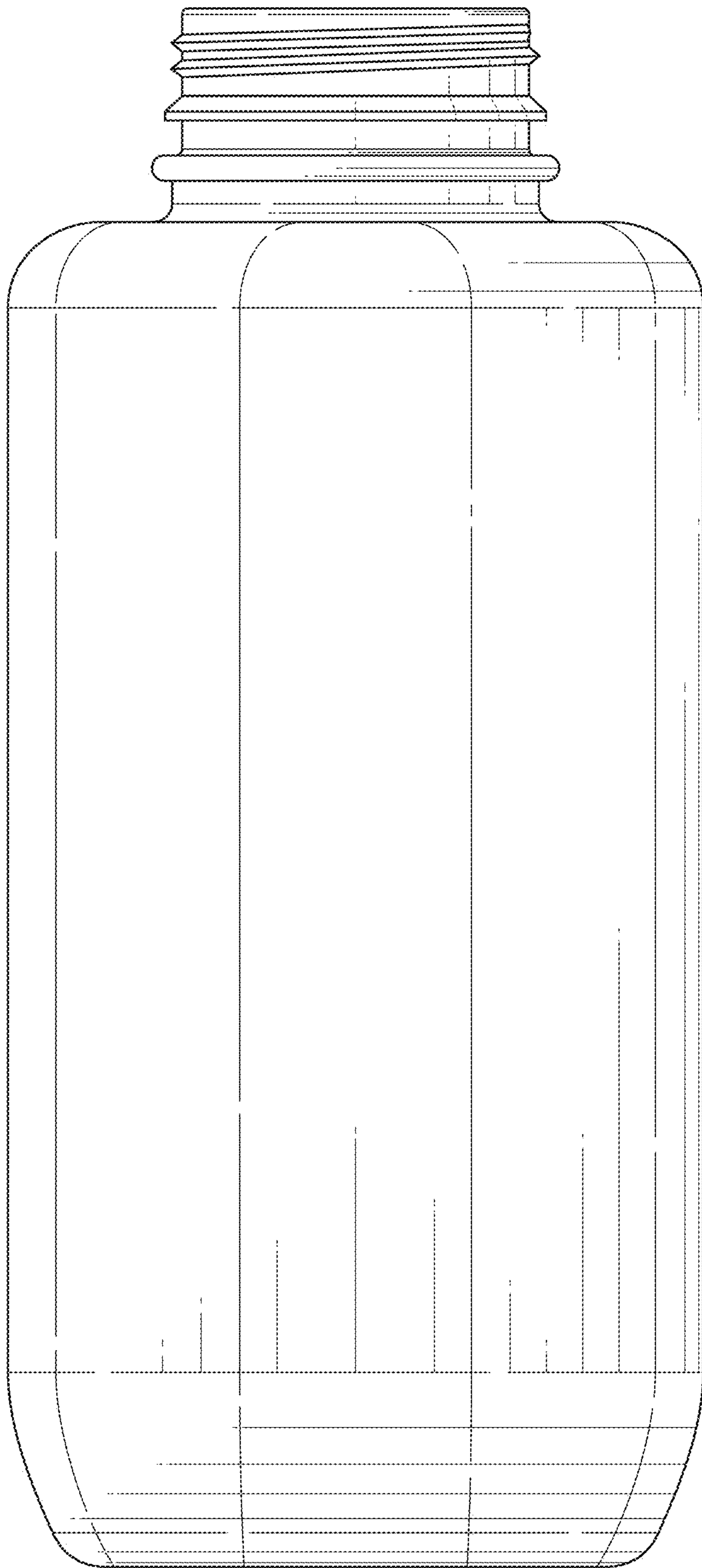


FIG. 5

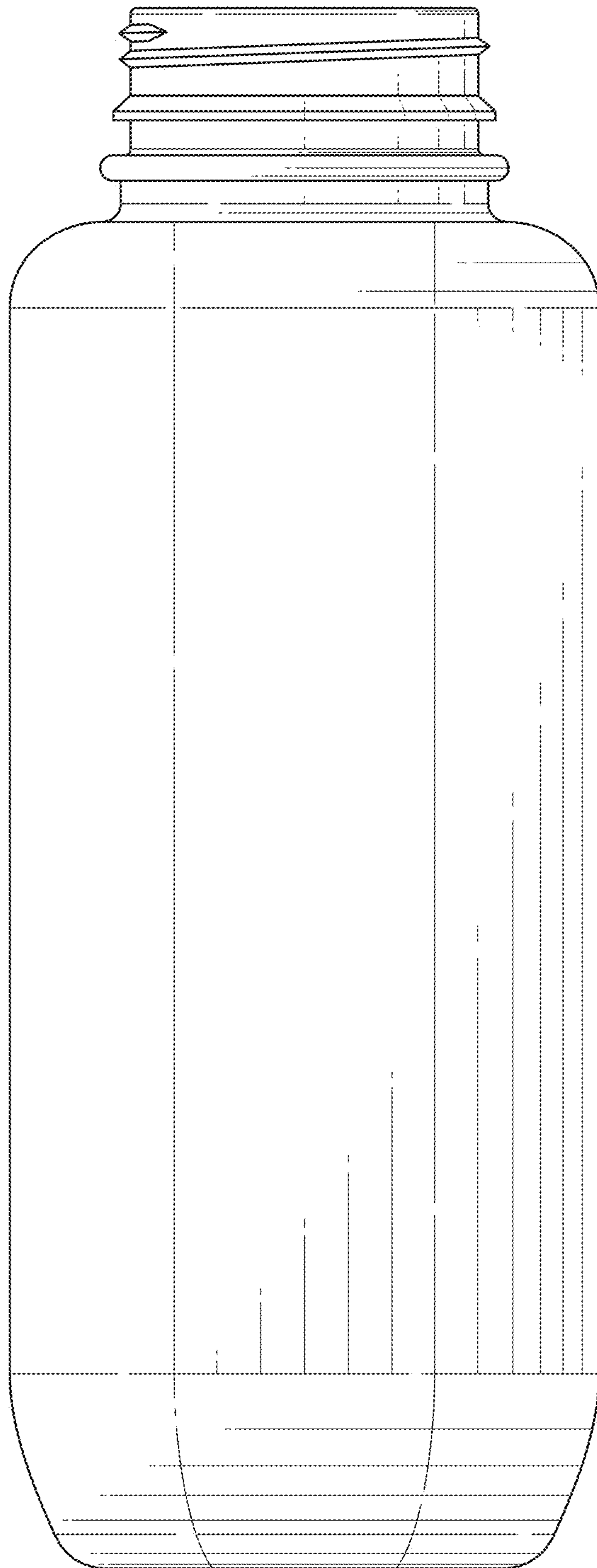


FIG. 6

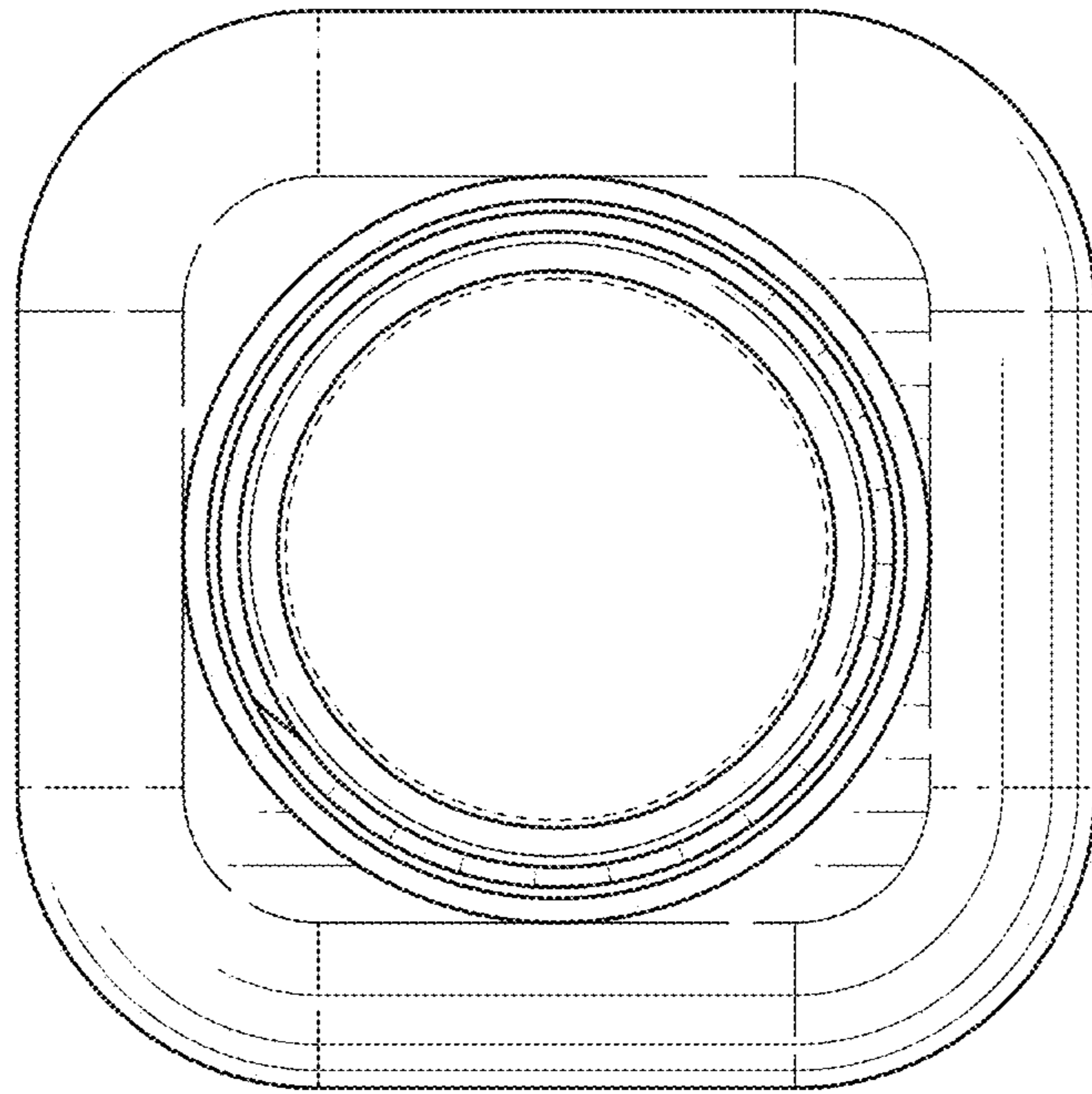


FIG. 7

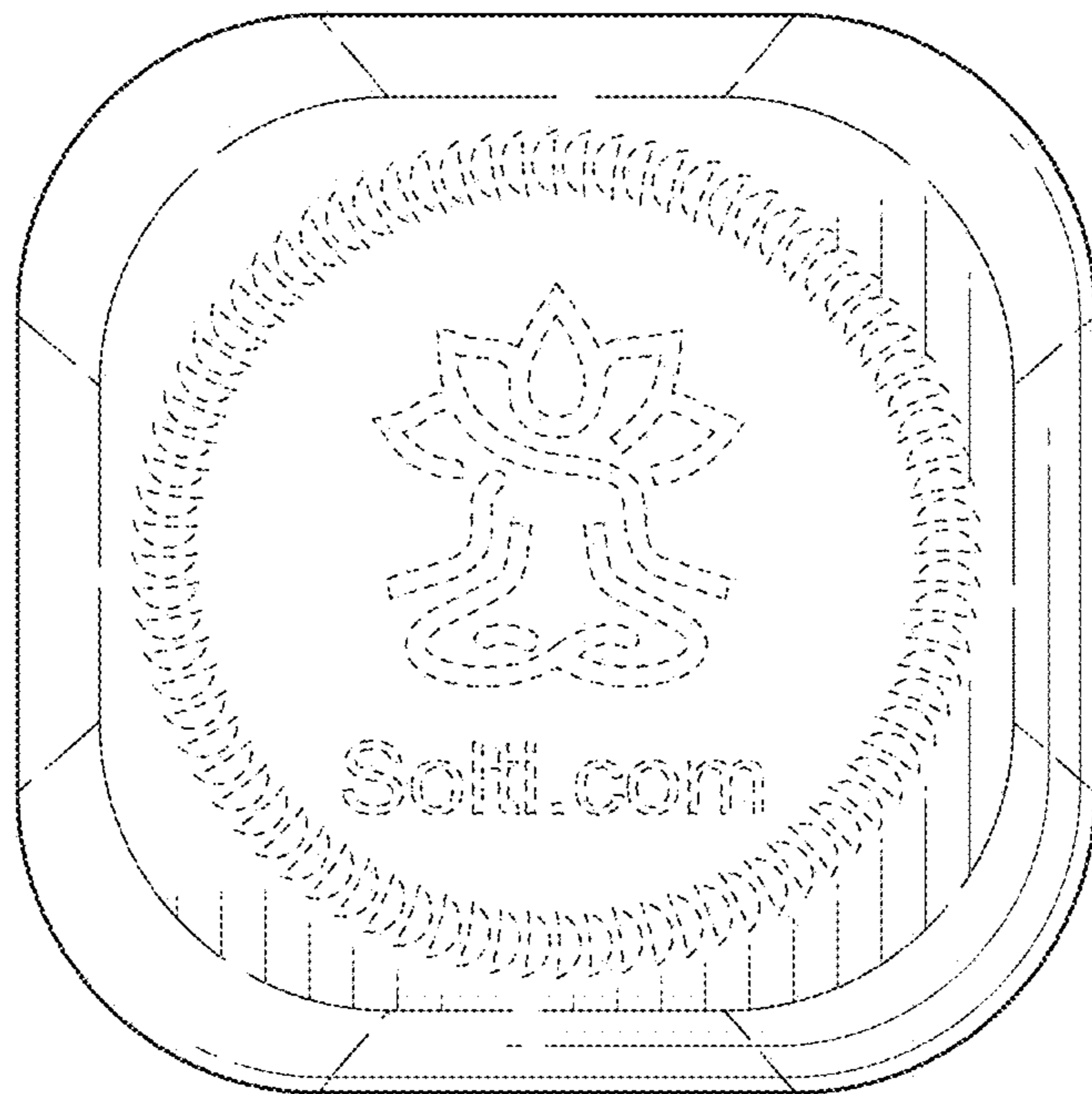


FIG. 8