



US00D928621S

(12) **United States Design Patent**
Kilduff et al.

(10) **Patent No.:** **US D928,621 S**

(45) **Date of Patent:** **** Aug. 24, 2021**

(54) **SQUEEZE TO OPEN CONTAINER**

(71) Applicant: **POLLEN GEAR LLC**, New York, NY (US)

(72) Inventors: **Edward Kilduff**, New York, NY (US);
Shane Grant Blomberg, Brooklyn, NY (US)

(73) Assignee: **Pollen Gear LLC**, Hermosa Beach, CA (US)

(**) Term: **15 Years**

(21) Appl. No.: **29/589,022**

(22) Filed: **Dec. 27, 2016**

Related U.S. Application Data

(63) Continuation-in-part of application No. 29/583,722, filed on Nov. 8, 2016.

(51) **LOC (13) Cl.** **09-01**

(52) **U.S. Cl.**
USPC **D9/560**

(58) **Field of Classification Search**
USPC D9/434-435, 439, 447, 449, 450, 452,
D9/454, 516, 520, 522-524, 528-531,
(Continued)

(56) **References Cited**

U.S. PATENT DOCUMENTS

2,387,392 A 10/1945 Guyer et al.
2,606,586 A 8/1952 Hill

(Continued)

FOREIGN PATENT DOCUMENTS

CA 107143 S 8/2005
EP 0343778 A1 11/1989

OTHER PUBLICATIONS

Pop Box. Online, published date unknown. Retrieved on Nov. 15, 2017 from URL: <https://www.pollengear.com/pop-box/>.*

(Continued)

Primary Examiner — Janice Hallmark

Assistant Examiner — Omeed Agilee

(74) *Attorney, Agent, or Firm* — RMCK Law Group PLC

(57) **CLAIM**

The ornamental design for squeeze to open container, as shown and described.

DESCRIPTION

FIG. 1 is a top perspective view of a squeeze to open container in a closed condition in accordance with the present teachings.

FIG. 2 is a bottom perspective view of the squeeze to open container of FIG. 1.

FIG. 3 is a first side view of the squeeze to open container of FIG. 1.

FIG. 4 is a second side view of the squeeze to open container of FIG. 1.

FIG. 5 is a third side view of the squeeze to open container of FIG. 1.

FIG. 6 is a fourth side view of the squeeze to open container of FIG. 1.

FIG. 7 is a top view of the squeeze to open container of FIG. 1.

FIG. 8 is a bottom view of the squeeze to open container of FIG. 1.

FIG. 9 is a top perspective view of a squeeze to open container in an open condition in accordance with another aspect of the present teachings.

FIG. 10 is a bottom perspective view of the squeeze to open container of FIG. 9.

FIG. 11 is a first side view of the squeeze to open container of FIG. 9.

FIG. 12 is a second side view of the squeeze to open container of FIG. 9.

FIG. 13 is a third side view of the squeeze to open container of FIG. 9.

FIG. 14 is a fourth side view of the squeeze to open container of FIG. 9.

FIG. 15 is a top view of the squeeze to open container of FIG. 9.

(Continued)

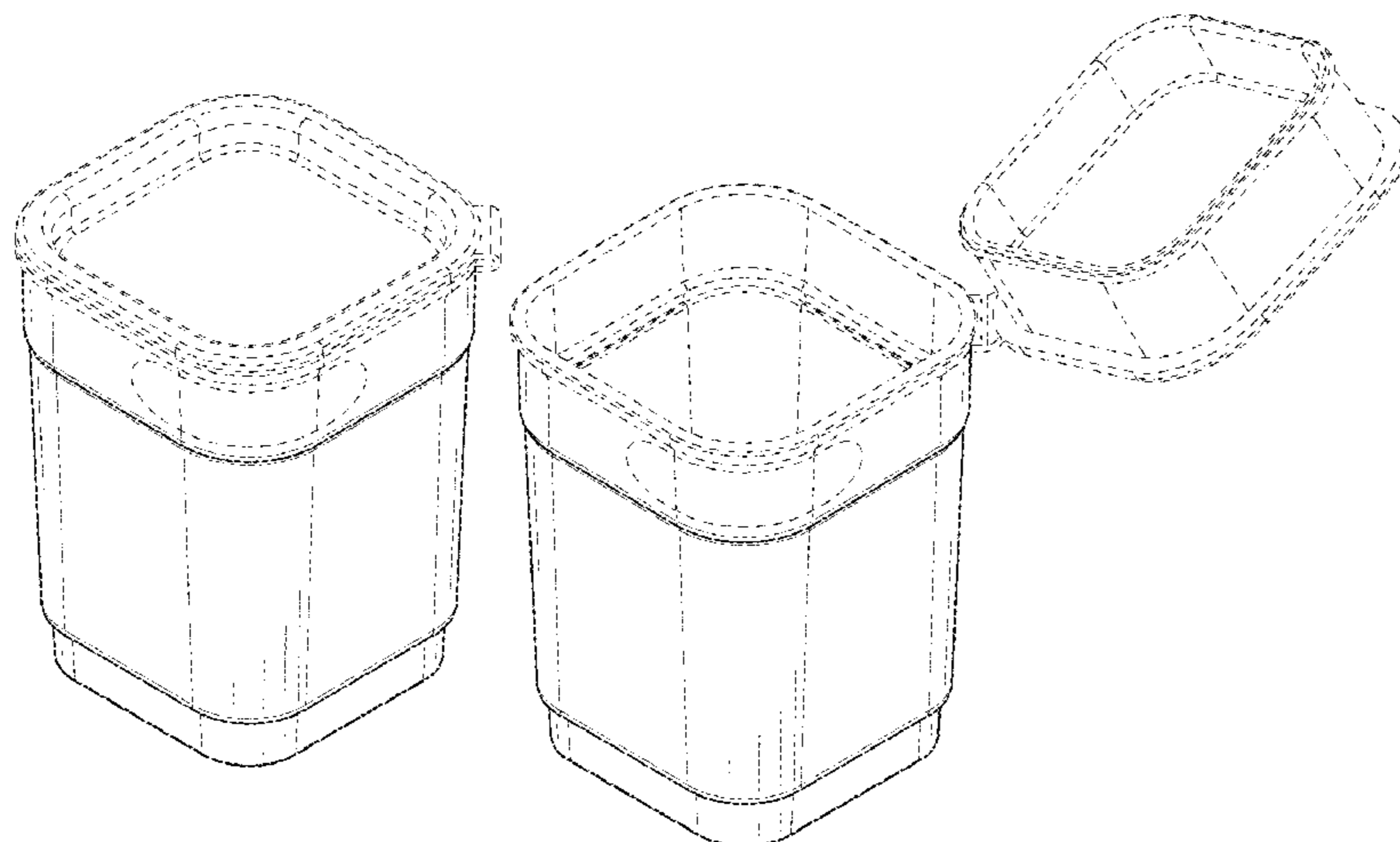


FIG. 16 is a bottom view of the squeeze to open container of FIG. 9.

FIG. 17 is a top perspective view of a squeeze to open container in an open condition in accordance with a further aspect of the present teachings.

FIG. 18 is a bottom perspective view of the squeeze to open container of FIG. 17.

FIG. 19 is a first side view of the squeeze to open container of FIG. 17.

FIG. 20 is a second side view of the squeeze to open container of FIG. 17.

FIG. 21 is a third side view of the squeeze to open container of FIG. 17.

FIG. 22 is a fourth side view of the squeeze to open container of FIG. 17.

FIG. 23 is a top view of the squeeze to open container of FIG. 17.

FIG. 24 is a bottom view of the squeeze to open container of FIG. 17.

FIG. 25 is a top perspective view of a squeeze to open container in an open condition in accordance with yet another aspect of the present teachings.

FIG. 26 is a bottom perspective view of the squeeze to open container of FIG. 25.

FIG. 27 is a first side view of the squeeze to open container of FIG. 25.

FIG. 28 is a second side view of the squeeze to open container of FIG. 25.

FIG. 29 is a third side view of the squeeze to open container of FIG. 25.

FIG. 30 is a fourth side view of the squeeze to open container of FIG. 25.

FIG. 31 is a top view of the squeeze to open container of FIG. 25.

FIG. 32 is a bottom view of the squeeze to open container of FIG. 25.

FIG. 33 is a top perspective view of a squeeze to open container in a closed condition in accordance with an additional aspect of the present teachings.

FIG. 34 is a bottom perspective view of the squeeze to open container of FIG. 33.

FIG. 35 is a third side view of the squeeze to open container of FIG. 33.

FIG. 36 is a fourth side view of the squeeze to open container of FIG. 33.

FIG. 37 is a top view of the squeeze to open container of FIG. 33.

FIG. 38 is a bottom view of the squeeze to open container of FIG. 33.

FIG. 39 is a top perspective view of a squeeze to open container in a closed condition in accordance with another aspect of the present teachings.

FIG. 40 is a bottom perspective view of the squeeze to open container of FIG. 39.

FIG. 41 is a first side view of the squeeze to open container of FIG. 39.

FIG. 42 is a second side view of the squeeze to open container of FIG. 39.

FIG. 43 is a third side view of the squeeze to open container of FIG. 39.

FIG. 44 is a fourth side view of the squeeze to open container of FIG. 39.

FIG. 45 is a top view of the squeeze to open container of FIG. 39.

FIG. 46 is a bottom view of the squeeze to open container of FIG. 39.

FIG. 47 is a top perspective view of a squeeze to open container in a closed condition in accordance with a further aspect of the present teachings.

FIG. 48 is a bottom perspective view of the squeeze to open container of FIG. 47.

FIG. 49 is a first side view of the squeeze to open container of FIG. 47.

FIG. 50 is a second side view of the squeeze to open container of FIG. 47.

FIG. 51 is a third side view of the squeeze to open container of FIG. 47.

FIG. 52 is a fourth side view of the squeeze to open container of FIG. 47.

FIG. 53 is a top view of the squeeze to open container of FIG. 47.

FIG. 54 is a bottom view of the squeeze to open container of FIG. 47.

FIG. 55 is a top perspective view of a squeeze to open container in an open condition in accordance with yet another aspect of the present teachings.

FIG. 56 is a bottom perspective view of the squeeze to open container of FIG. 55.

FIG. 57 is a first side view of the squeeze to open container of FIG. 55.

FIG. 58 is a second side view of the squeeze to open container of FIG. 55.

FIG. 59 is a third side view of the squeeze to open container of FIG. 55.

FIG. 60 is a fourth side view of the squeeze to open container of FIG. 55.

FIG. 61 is a top view of the squeeze to open container of FIG. 55.

FIG. 62 is a bottom view of the squeeze to open container of FIG. 55.

FIG. 63 is a top perspective view of a squeeze to open container in an open condition in accordance with an additional aspect of the present teachings.

FIG. 64 is a bottom perspective view of the squeeze to open container of FIG. 63.

FIG. 65 is a first side view of the squeeze to open container of FIG. 63.

FIG. 66 is a second side view of the squeeze to open container of FIG. 63.

FIG. 67 is a third side view of the squeeze to open container of FIG. 63.

FIG. 68 is a fourth side view of the squeeze to open container of FIG. 63.

FIG. 69 is a top view of the squeeze to open container of FIG. 63.

FIG. 70 is a bottom view of the squeeze to open container of FIG. 63.

FIG. 71 is a top perspective view of a squeeze to open container in an open condition in accordance with another aspect of the present teachings.

FIG. 72 is a bottom perspective view of the squeeze to open container of FIG. 71.

FIG. 73 is a first side view of the squeeze to open container of FIG. 71.

FIG. 74 is a second side view of the squeeze to open container of FIG. 71.

FIG. 75 is a third side view of the squeeze to open container of FIG. 71.

FIG. 76 is a fourth side view of the squeeze to open container of FIG. 71.

FIG. 77 is a top view of the squeeze to open container of FIG. 71; and,

FIG. 78 is a bottom view of the squeeze to open container of FIG. 71.

The broken lines and unshaded areas encompassed by broken lines represent portions of the container that form no part of the claimed design.

1 Claim, 60 Drawing Sheets

(58) **Field of Classification Search**

USPC D9/541-544, 549-551, 558-560, 563, D9/565-566, 571-575, 682, 686, 687, D9/693-694, 715, 719; D7/300, 300.1, D7/316, 317, 598; D23/211, 225
 CPC ... B65D 1/00; B65D 1/02; B65D 1/12; B65D 1/18; B65D 1/20; B65D 1/0223; B65D 23/00; B65D 21/0237; B65D 2501/0009; B65D 2501/0081

See application file for complete search history.

(56) **References Cited**

U.S. PATENT DOCUMENTS

4,006,837 A * 2/1977 Gates B65D 41/0471
 215/333
 4,148,420 A 4/1979 Morrisette et al.
 4,830,206 A 5/1989 Fisher
 D302,659 S 8/1989 Peterson et al.
 D310,617 S 9/1990 Pozzi
 D336,244 S 6/1993 Arai
 D379,923 S 6/1997 Baschmakoff
 D401,116 S 11/1998 DeMore
 D455,261 S 4/2002 Browne
 D466,012 S 11/2002 Baker
 D481,942 S 11/2003 Elgebrant
 D500,641 S 1/2005 Wolf et al.
 6,860,397 B1 3/2005 Walters
 D521,811 S 5/2006 Yourist
 D546,175 S 7/2007 Sainz

D555,490 S 11/2007 Liu
 D568,739 S * 5/2008 Darr D9/434
 7,370,788 B1 * 5/2008 Otani B65D 1/0207
 229/406
 7,413,096 B2 8/2008 Morgan et al.
 D592,515 S * 5/2009 Francis D9/529
 D598,738 S 8/2009 Supranowicz
 D599,032 S 8/2009 Bucholtz et al.
 D601,857 S 10/2009 Carlson
 D605,505 S * 12/2009 Shearsby D9/655
 D614,949 S 5/2010 Schmidt
 D616,753 S 6/2010 Beam et al.
 D628,479 S 12/2010 Snedden et al.
 D656,815 S * 4/2012 Fisher D32/53
 D666,904 S 9/2012 Snedden et al.
 D669,777 S 10/2012 Brown et al.
 D688,126 S 8/2013 Snedden et al.
 D696,078 S 12/2013 Allen
 D708,066 S * 7/2014 Peacock D9/424
 D726,071 S 4/2015 Aoyama
 D731,303 S 6/2015 Daggett
 D734,550 S * 7/2015 Schlatter D28/83
 D744,826 S 12/2015 Giraud et al.
 D748,468 S * 2/2016 Angeloni D9/420
 D749,420 S 2/2016 Kahlau
 D763,072 S 8/2016 Morgan et al.
 D763,681 S 8/2016 Morgan et al.
 D770,296 S * 11/2016 Rothfos D9/432
 D783,404 S * 4/2017 Fromberg D9/529
 D786,674 S * 5/2017 Miller D9/446
 D786,683 S * 5/2017 Miller D9/560
 D789,140 S * 6/2017 Joseph D7/392.1
 D790,335 S 6/2017 Honings et al.
 D793,223 S * 8/2017 Minoli D9/415
 D794,464 S 8/2017 Graenitz
 D801,808 S 11/2017 Irimia et al.
 D808,791 S 1/2018 Johnston et al.
 D821,869 S 7/2018 Cheng et al.
 D823,680 S 7/2018 Forecast
 2005/0035150 A1 2/2005 Laverdure
 2006/0043100 A1 3/2006 Johnson et al.
 2010/0276422 A1 * 11/2010 Vovan B65D 43/021
 220/260

OTHER PUBLICATIONS

Modular Mates Oval 1/Black. Online, published date unknown. Retrieved on May 16, 2018 from URL: <http://www.tupperware.com/modular-mates-oval-1-7826.html>.

* cited by examiner

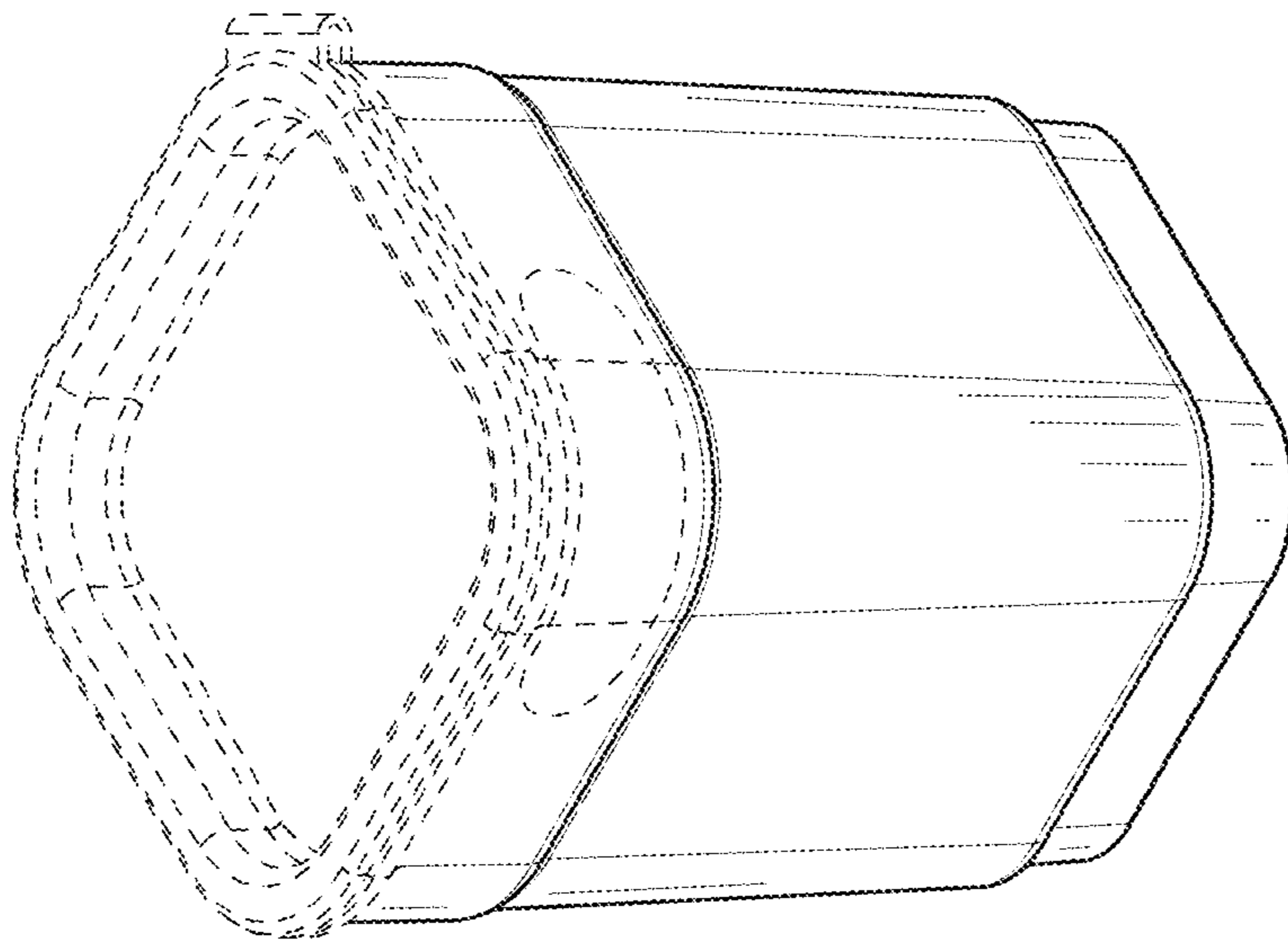


FIG. 1

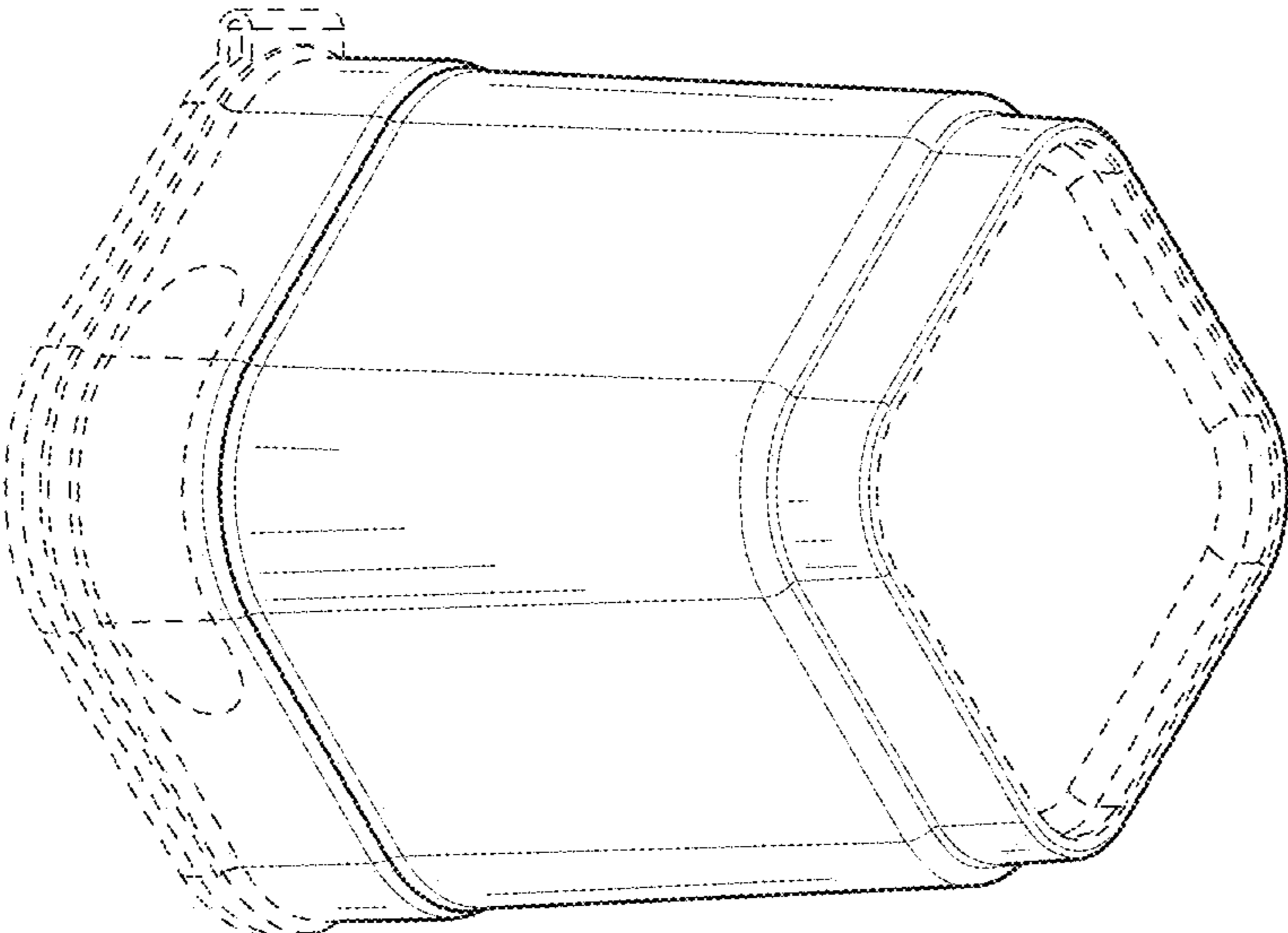


FIG. 2

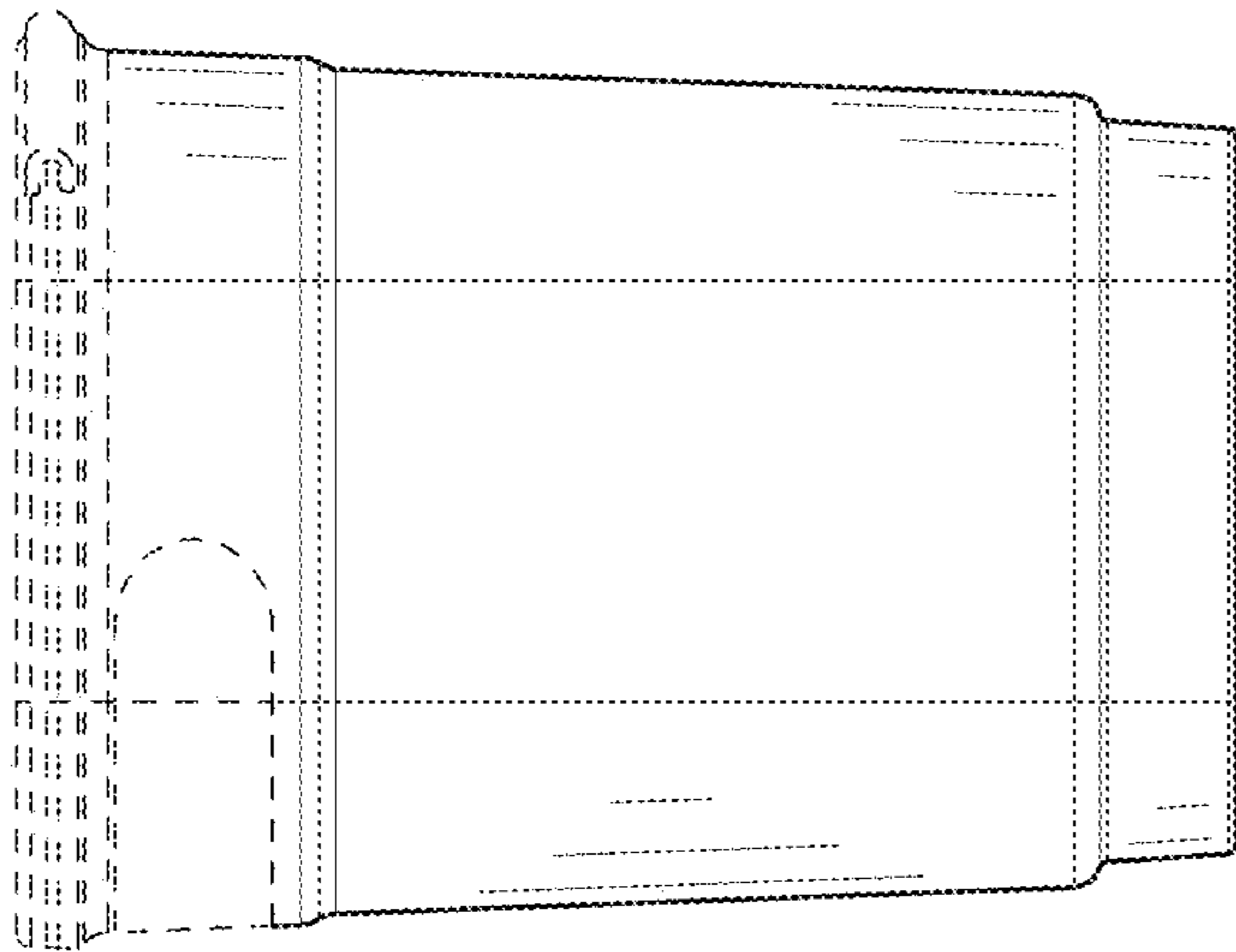


FIG. 3

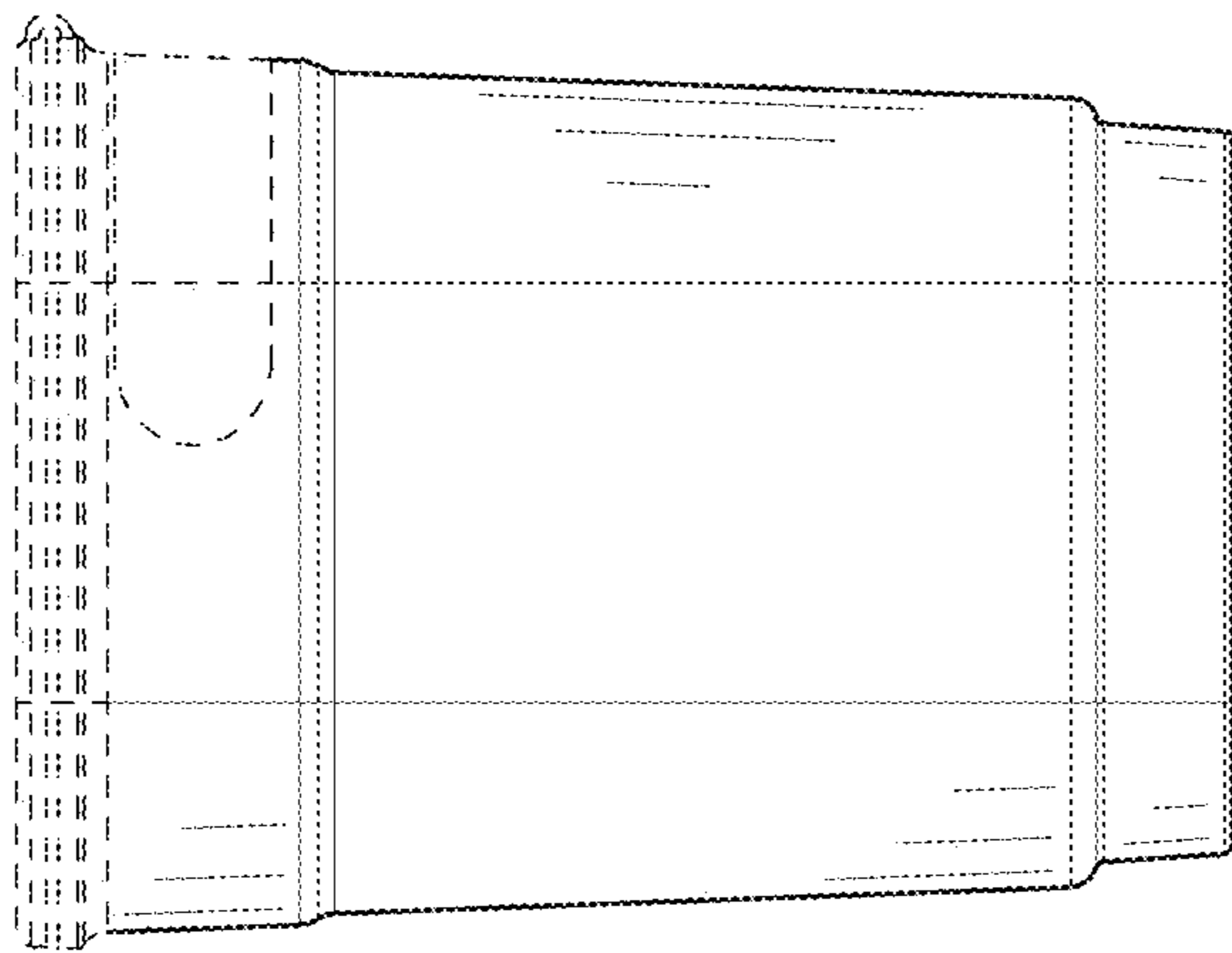


FIG. 4

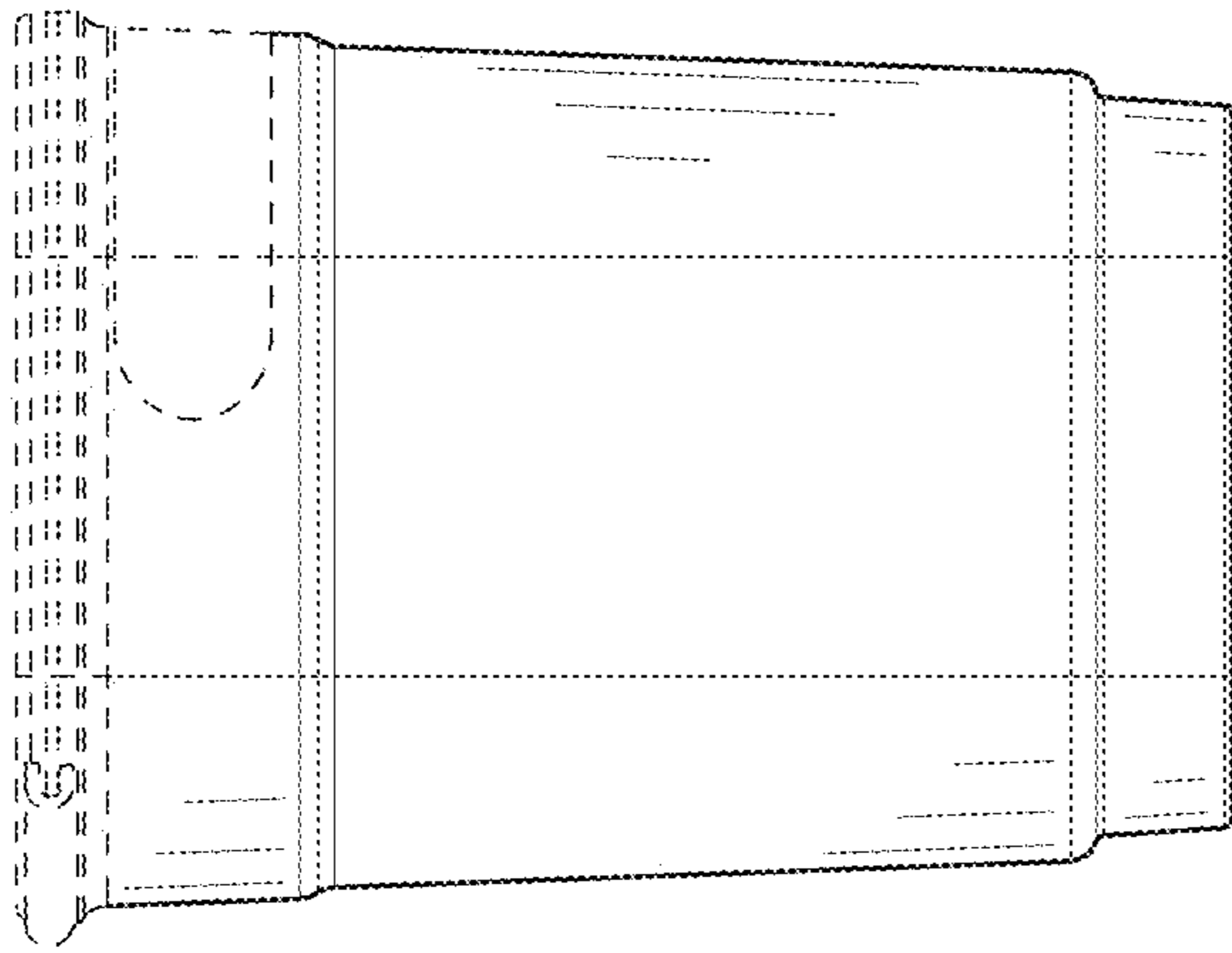


FIG. 5

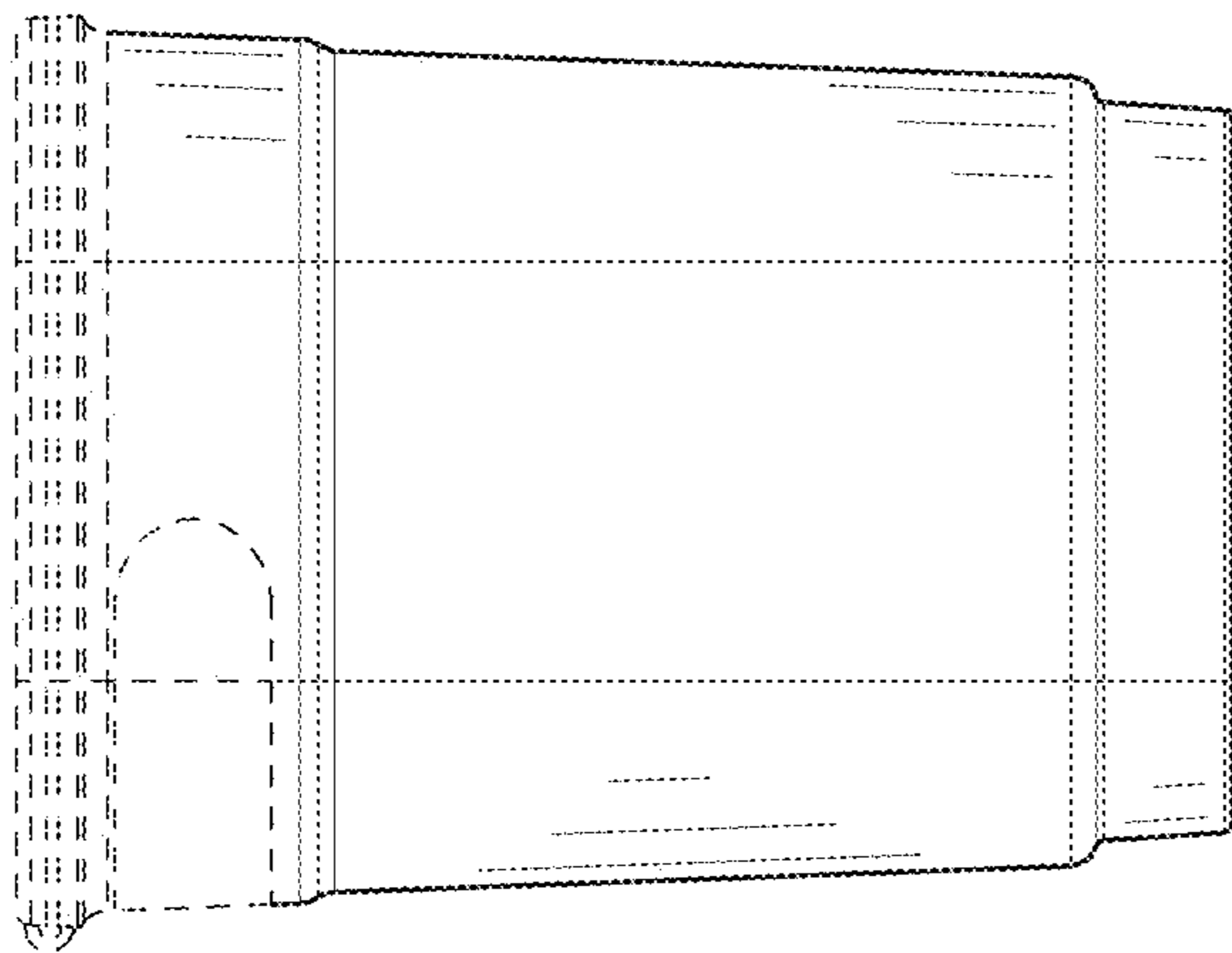


FIG. 6

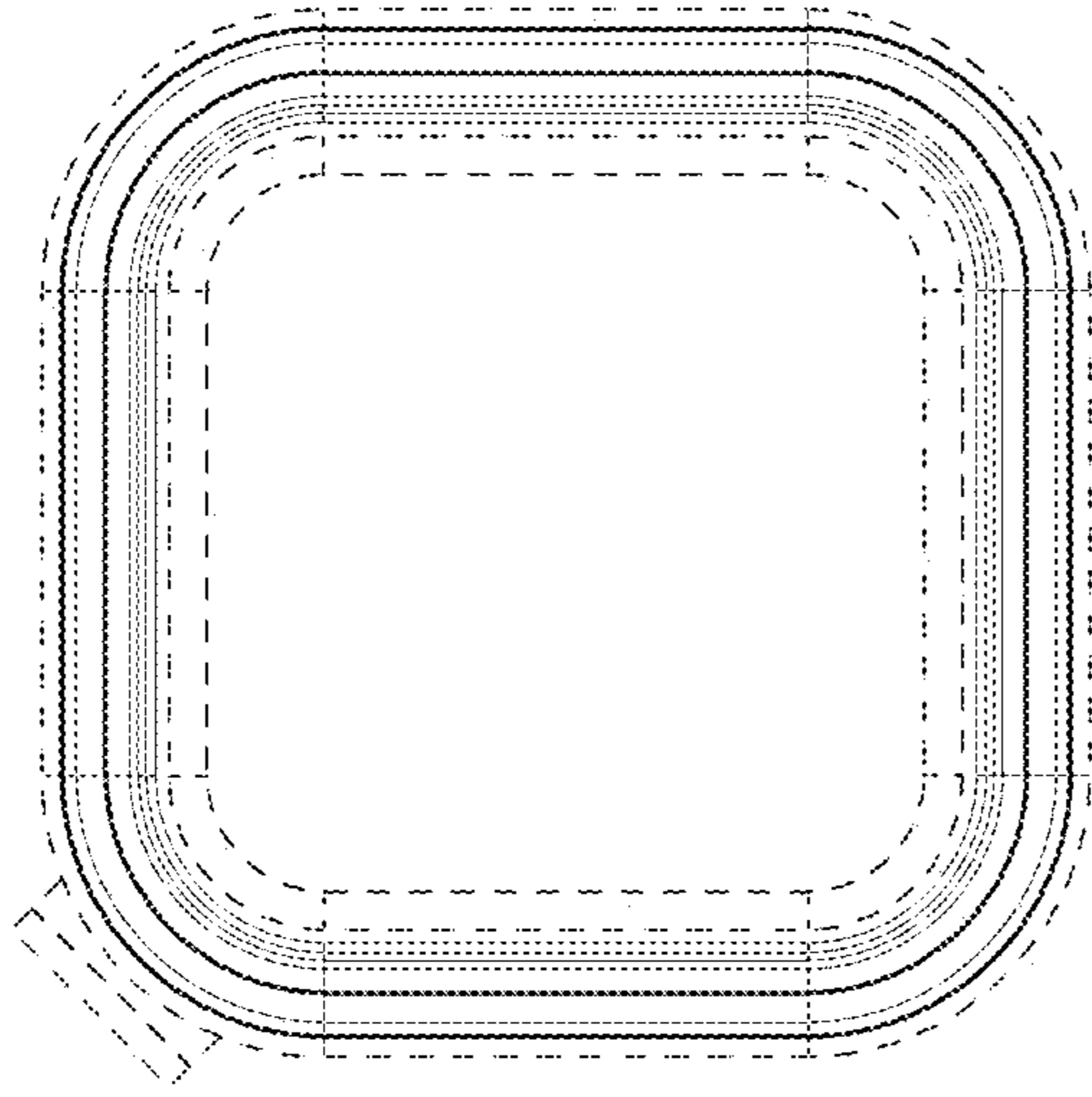


FIG. 7

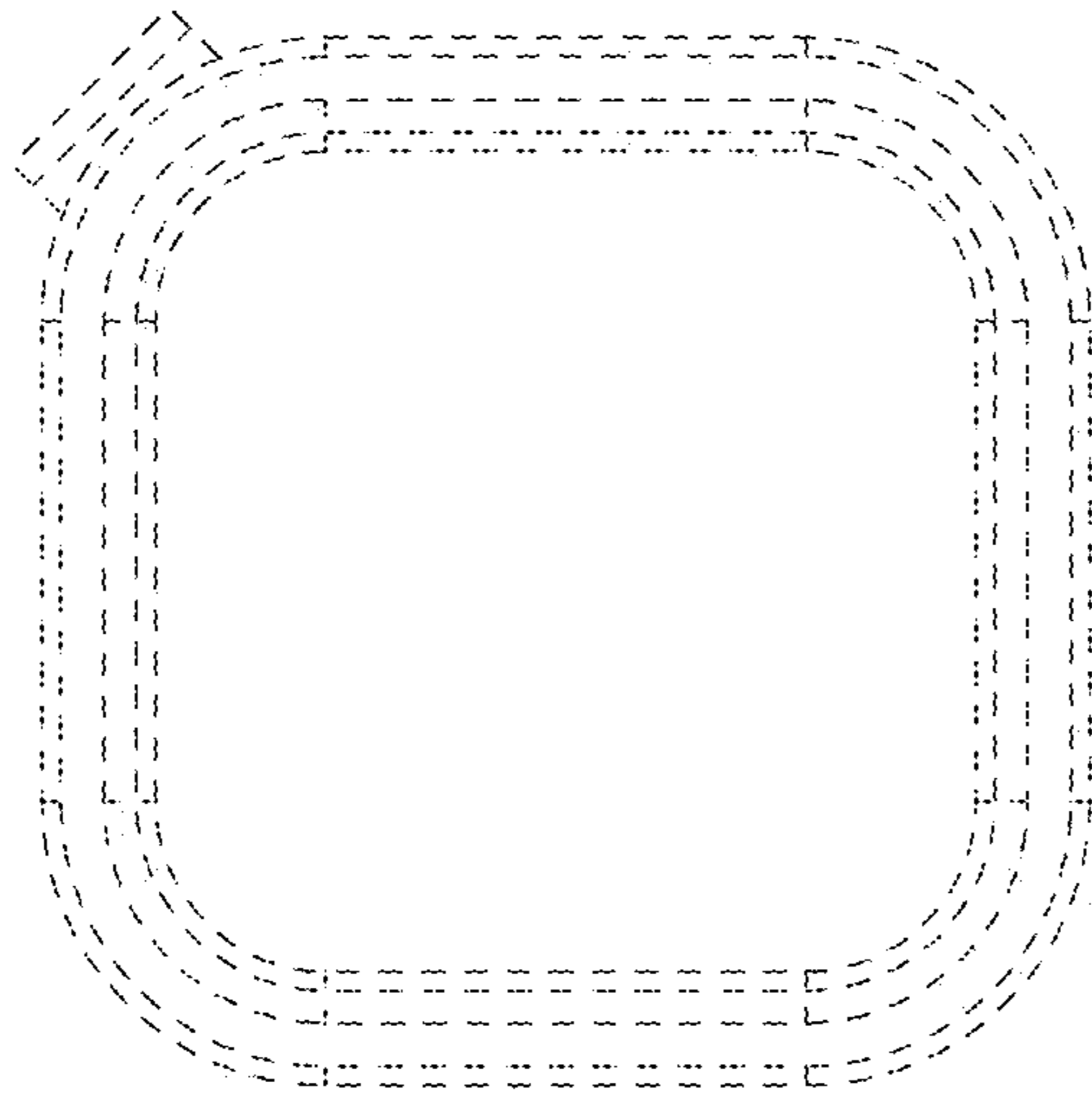


FIG. 8

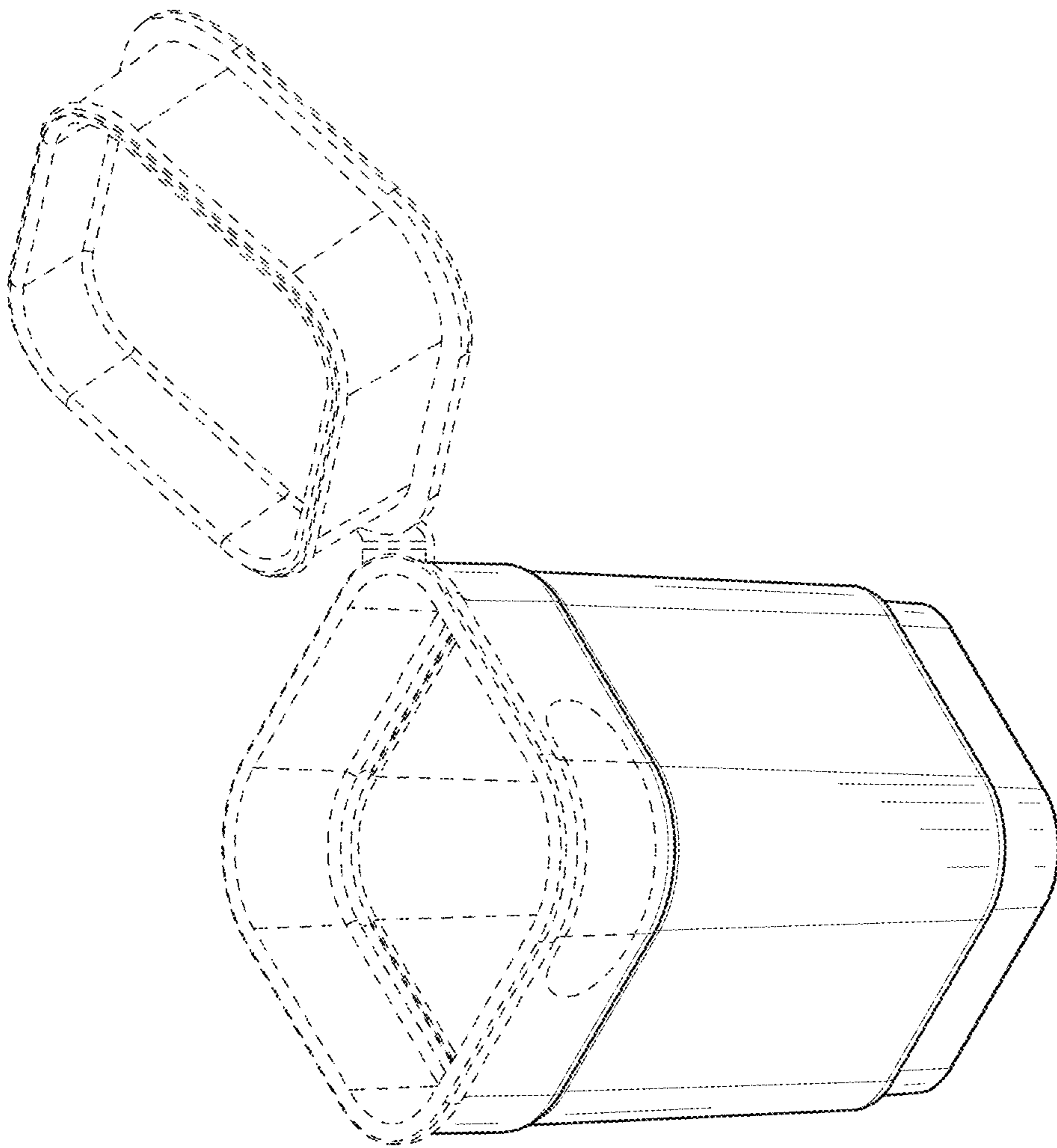


FIG. 9

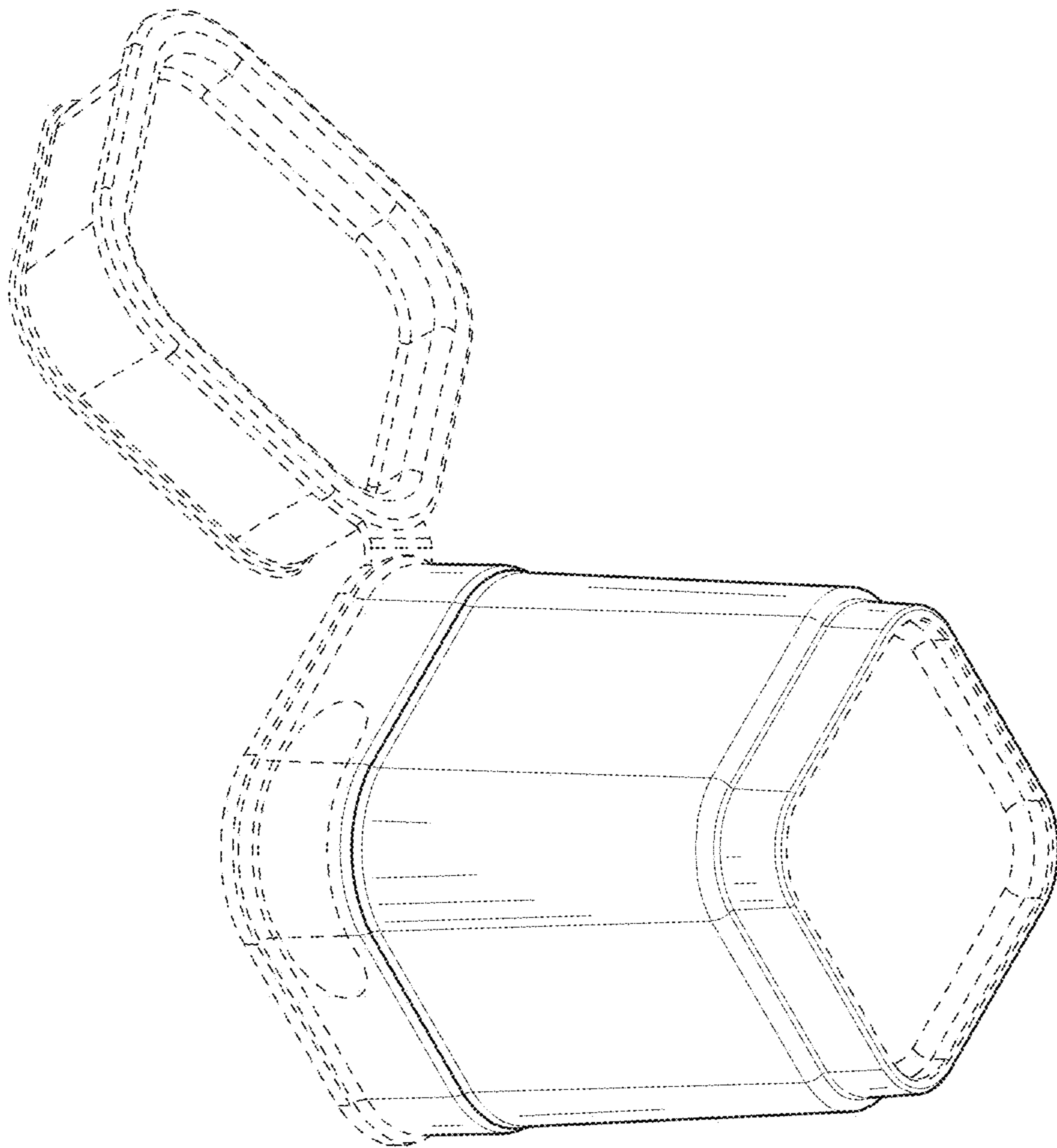


FIG. 10

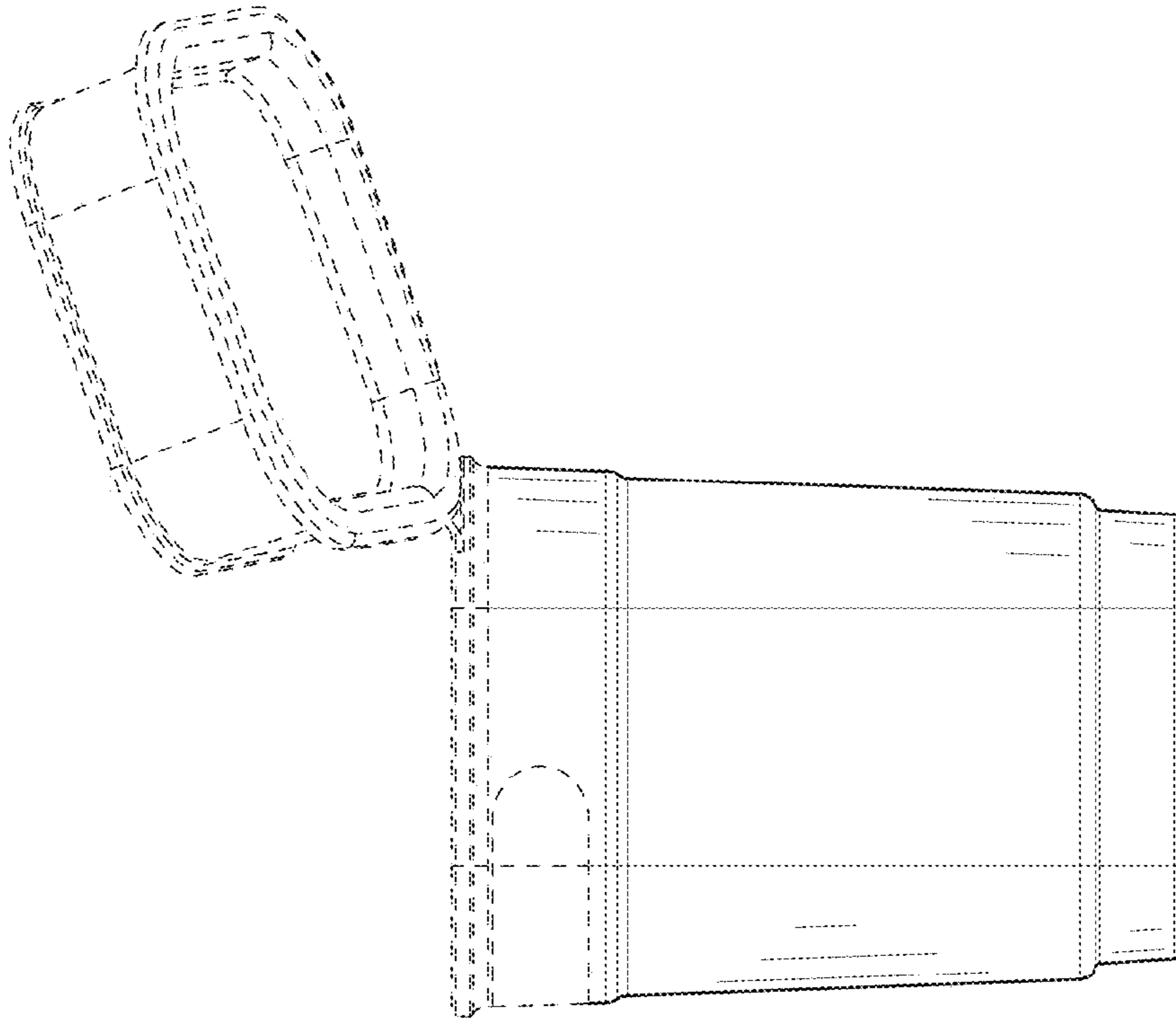


FIG. 11

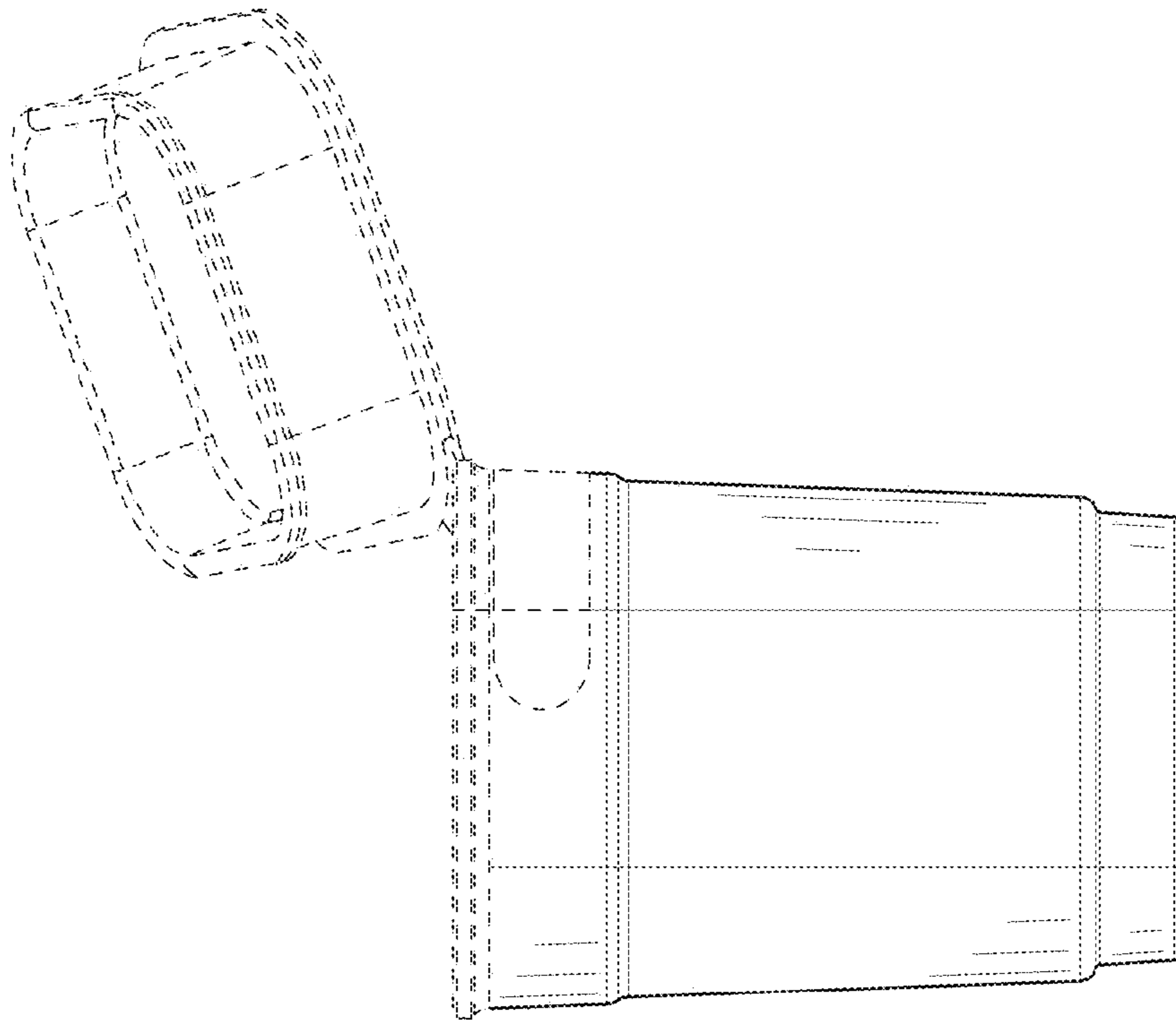


FIG. 12

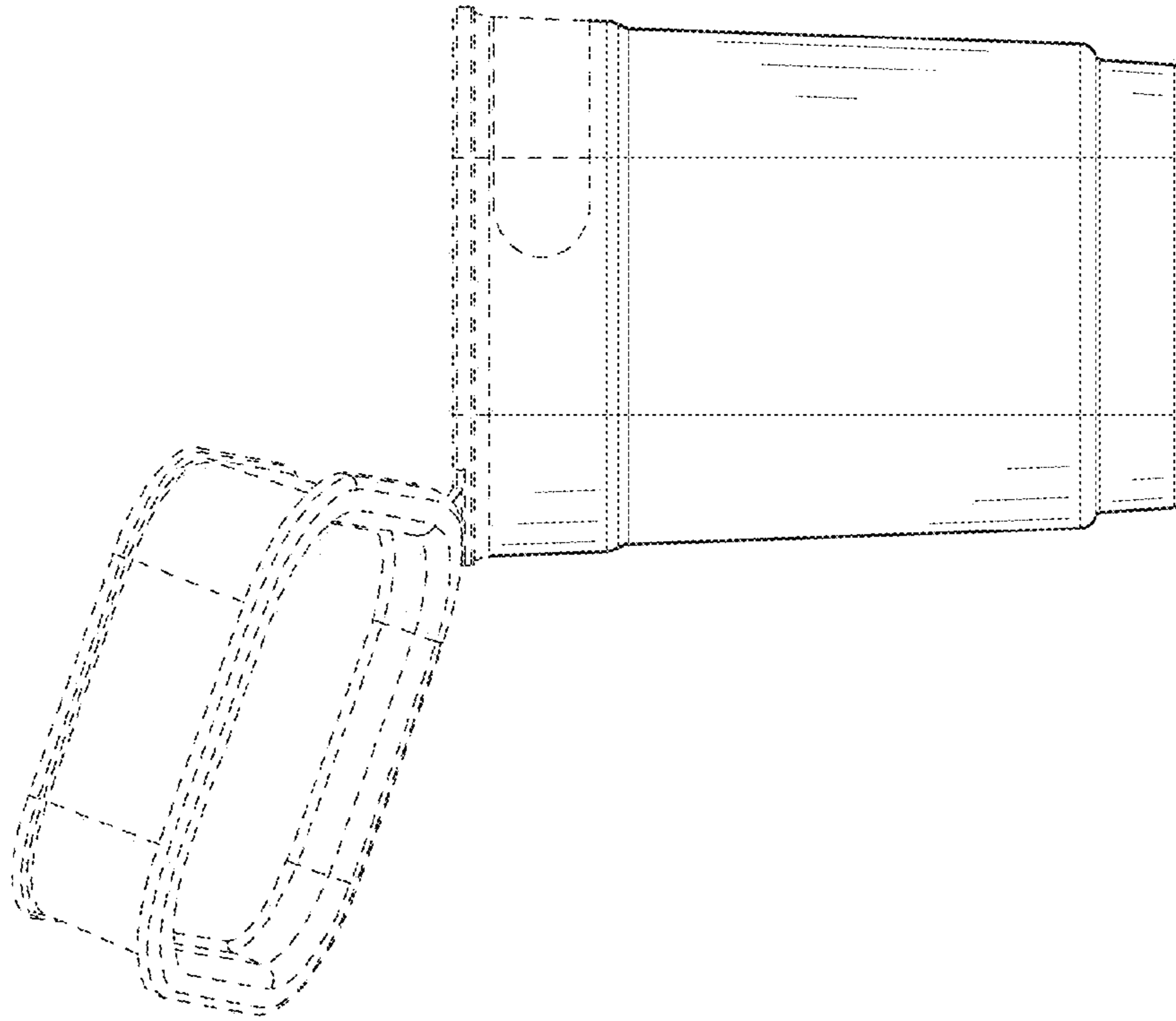


FIG. 13

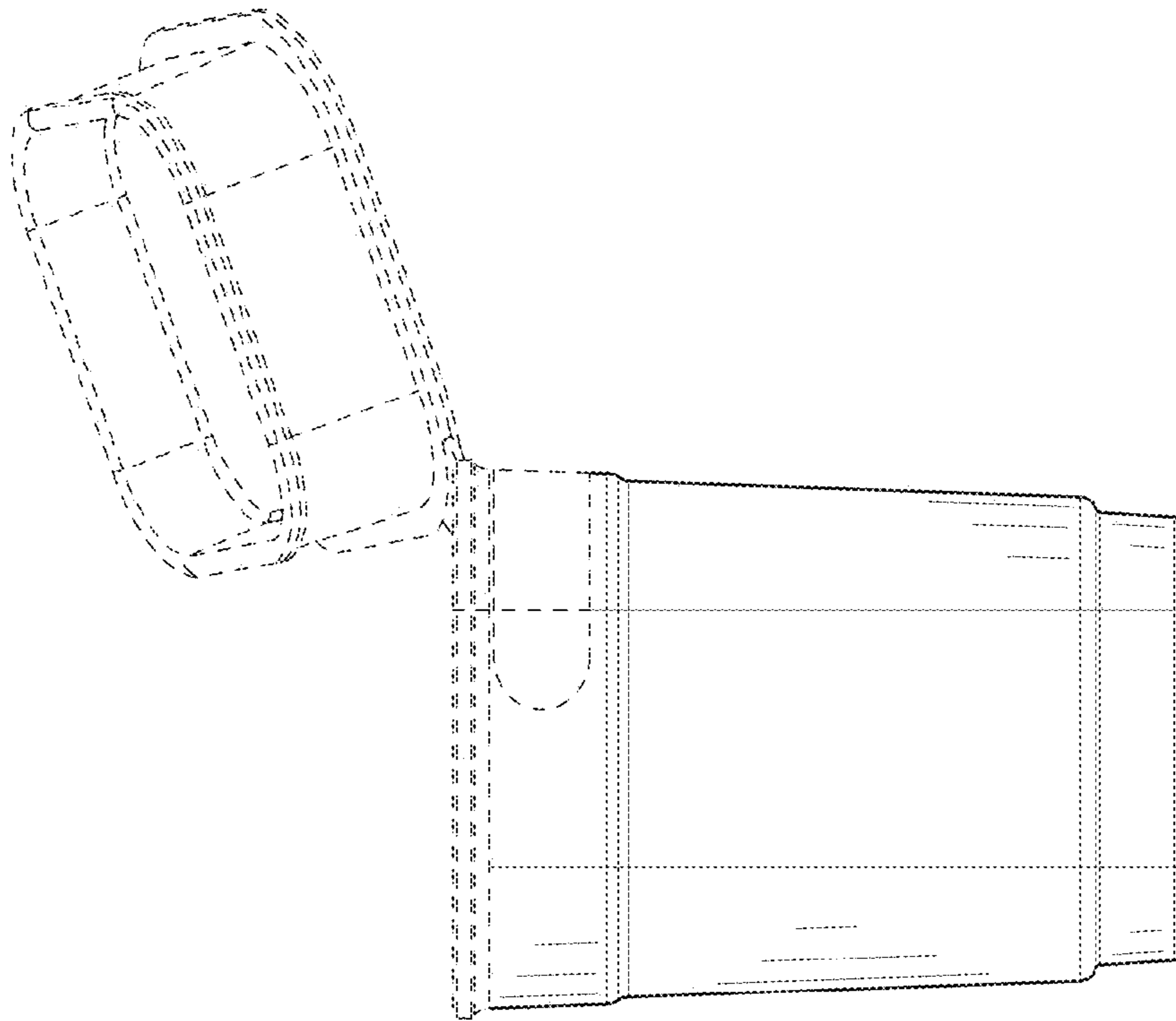


FIG. 14

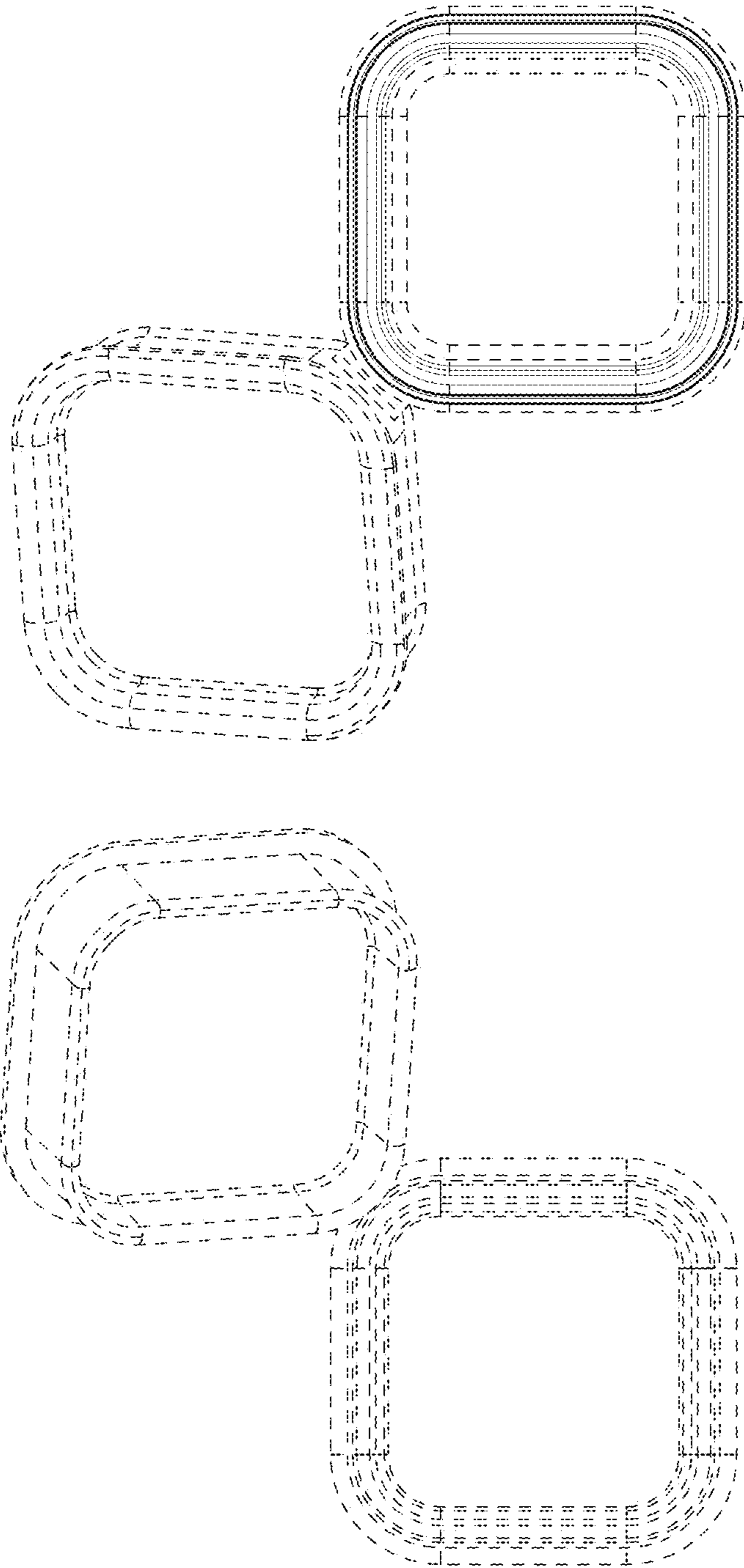


FIG. 16

FIG. 15

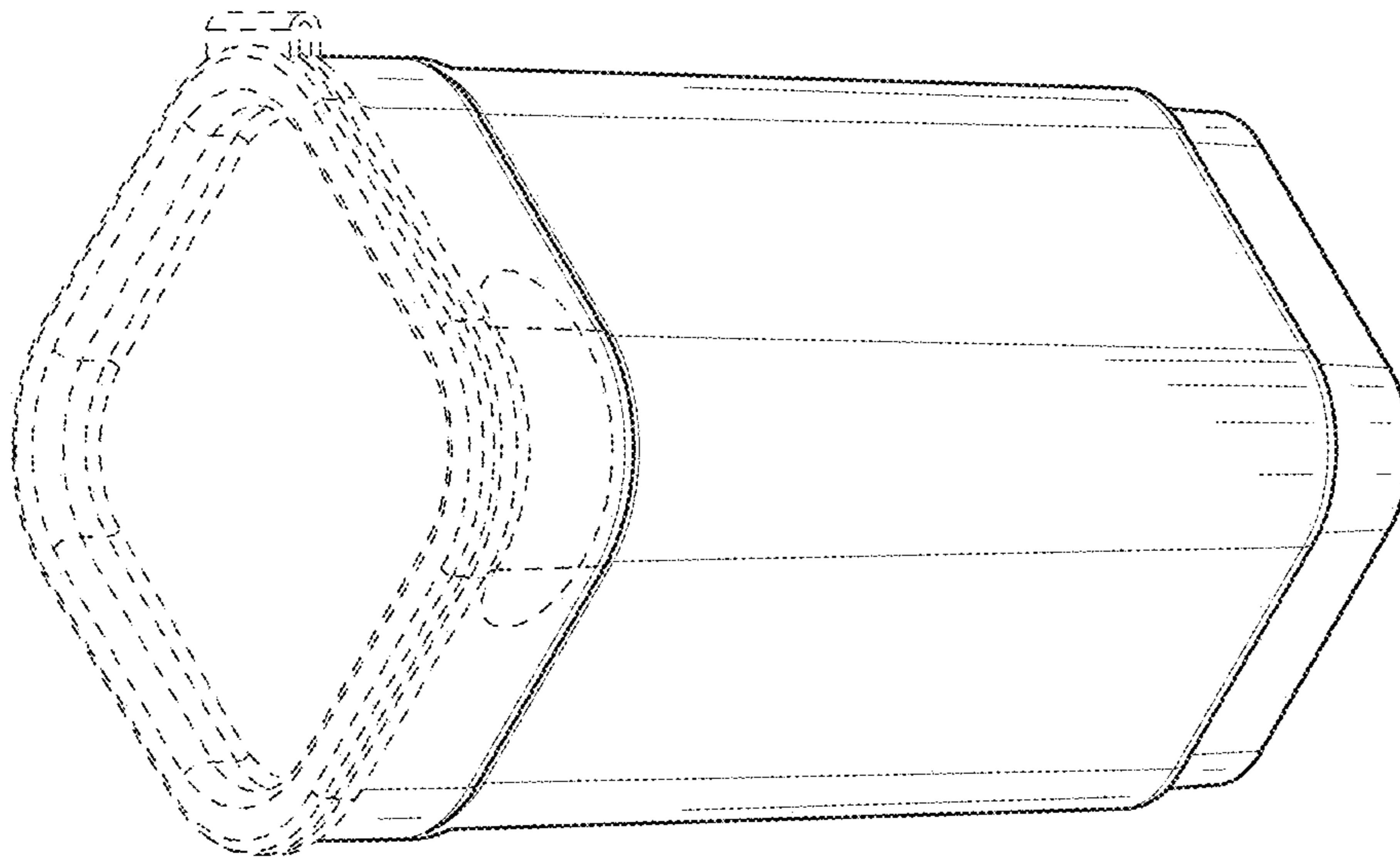


FIG. 17

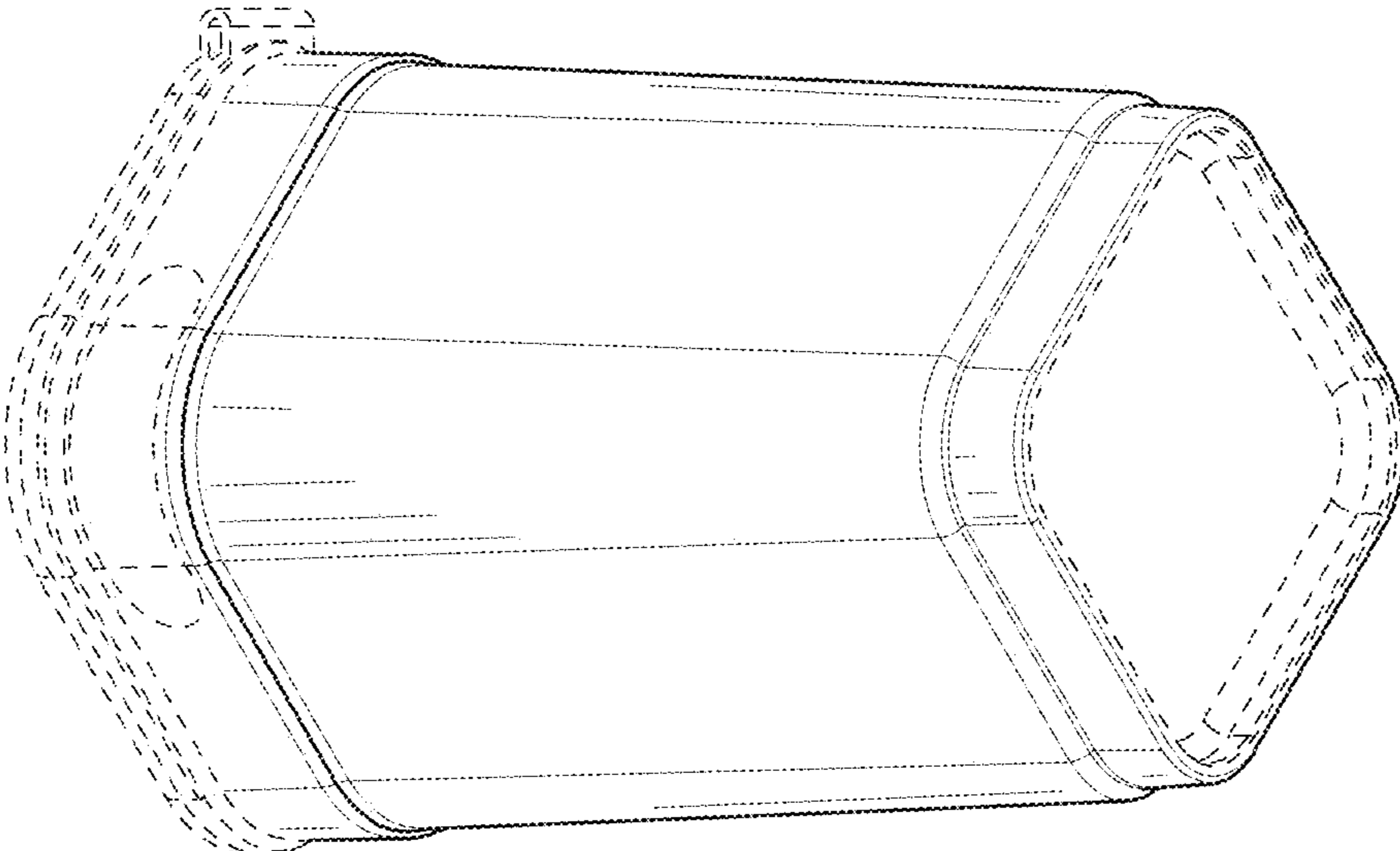


FIG. 18

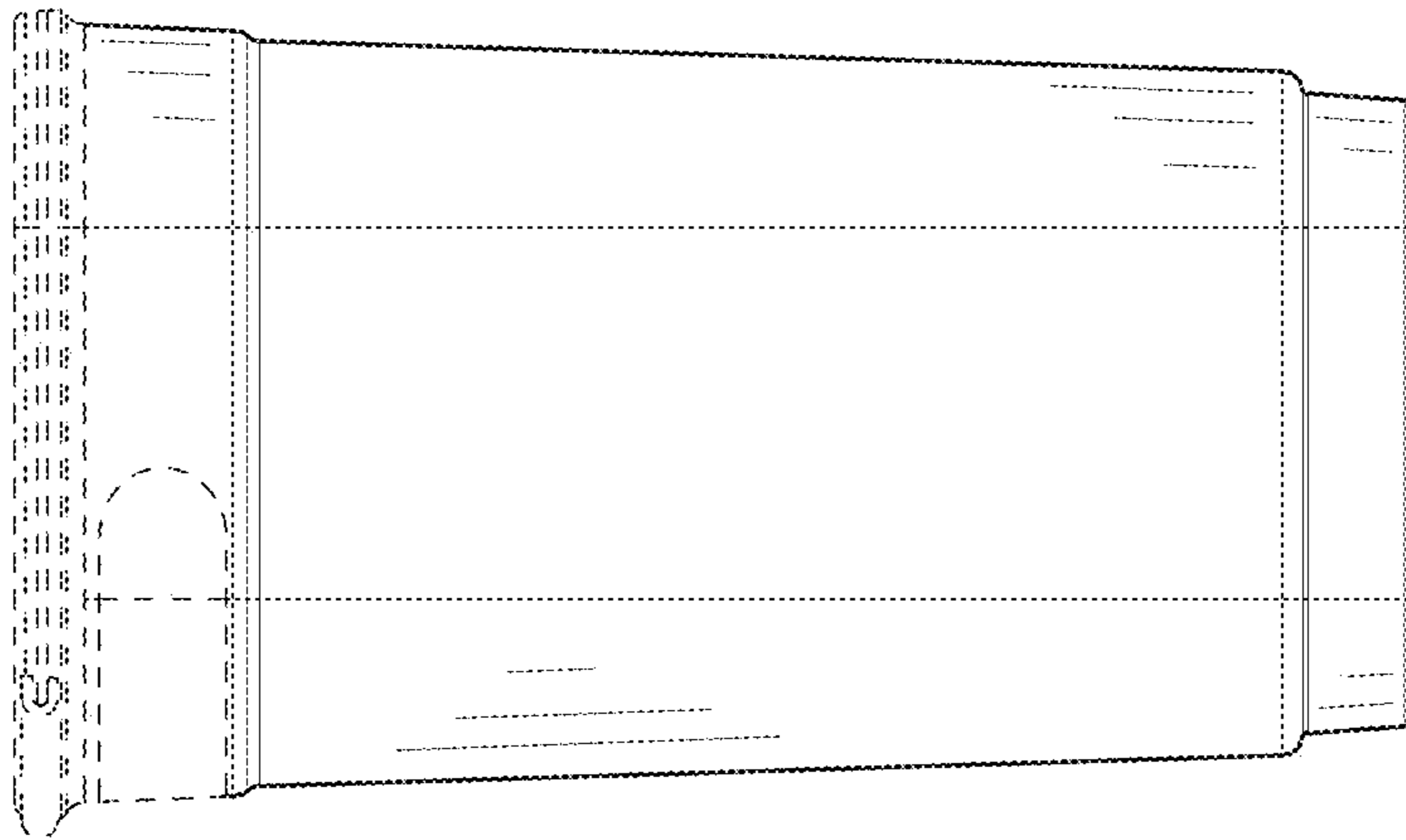


FIG. 19

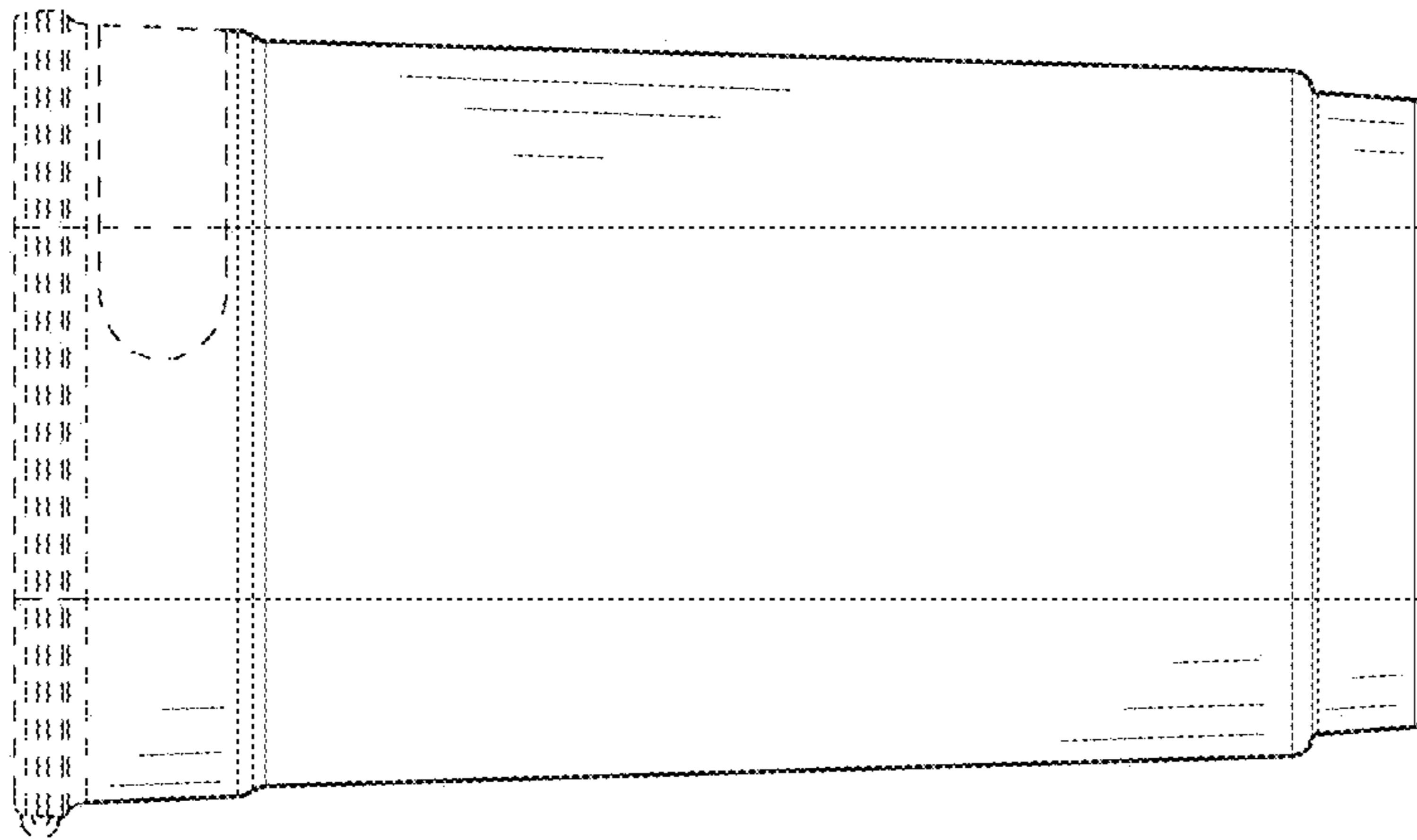


FIG. 20

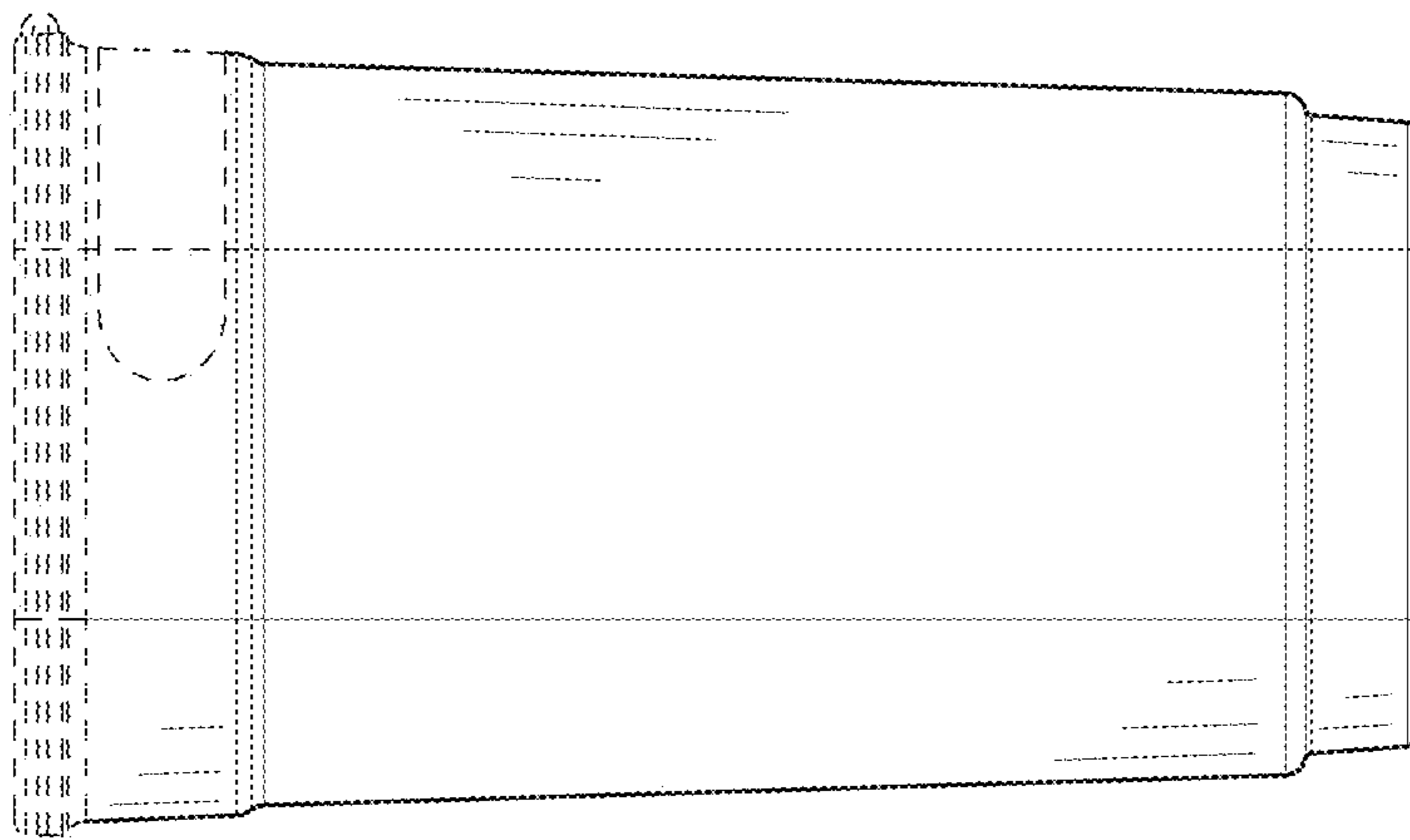


FIG. 21

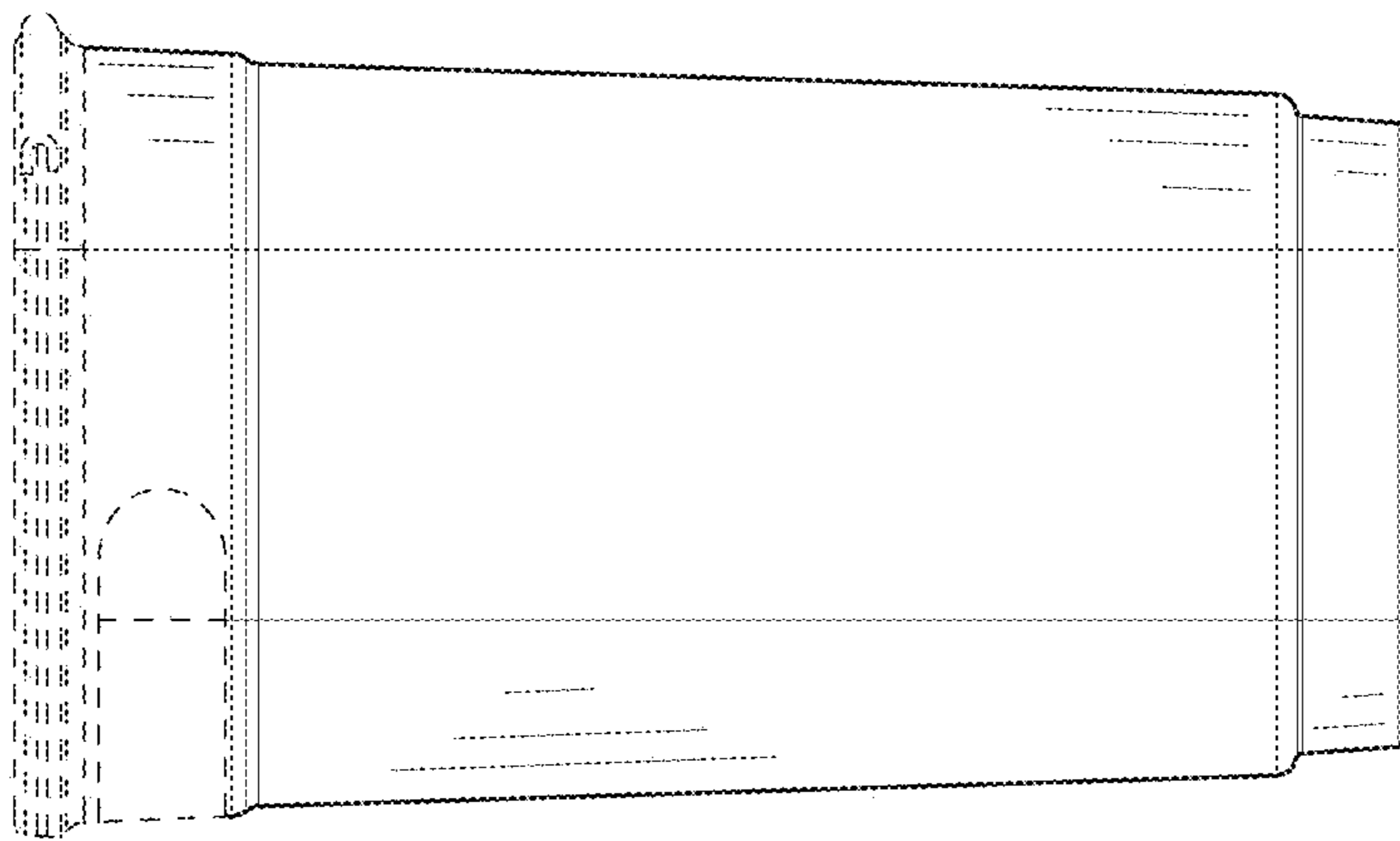


FIG. 22

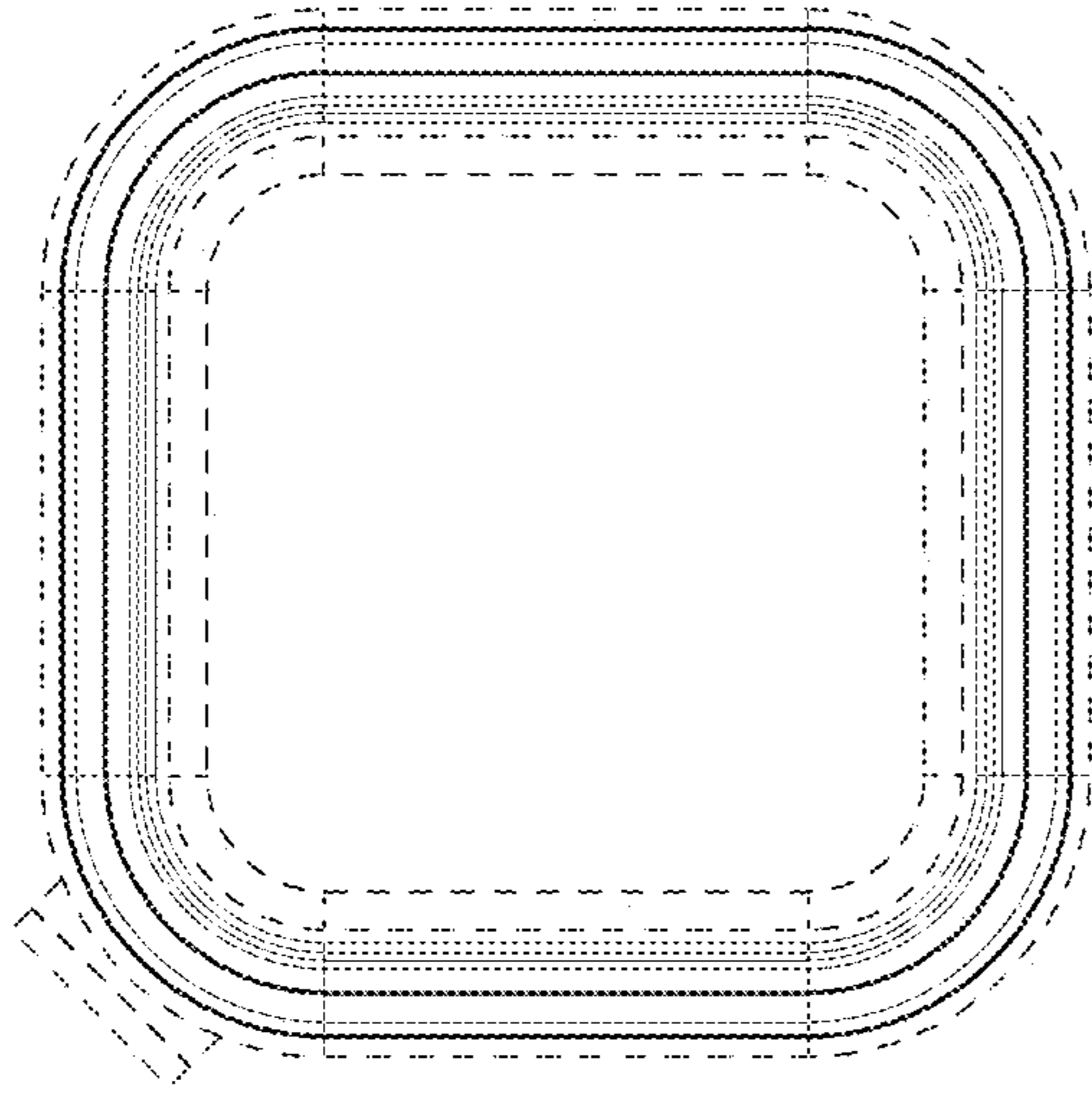


FIG. 24

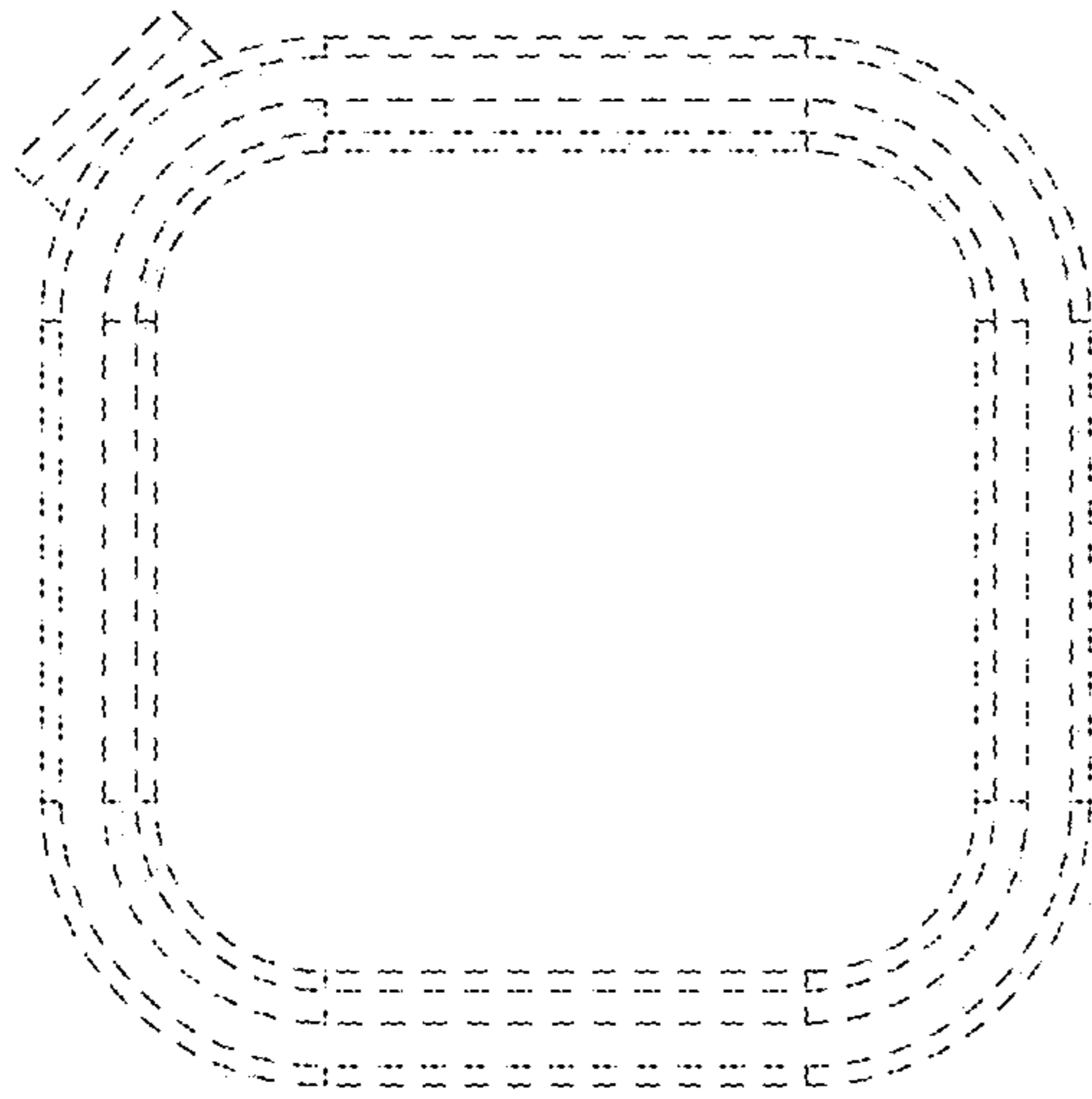


FIG. 23

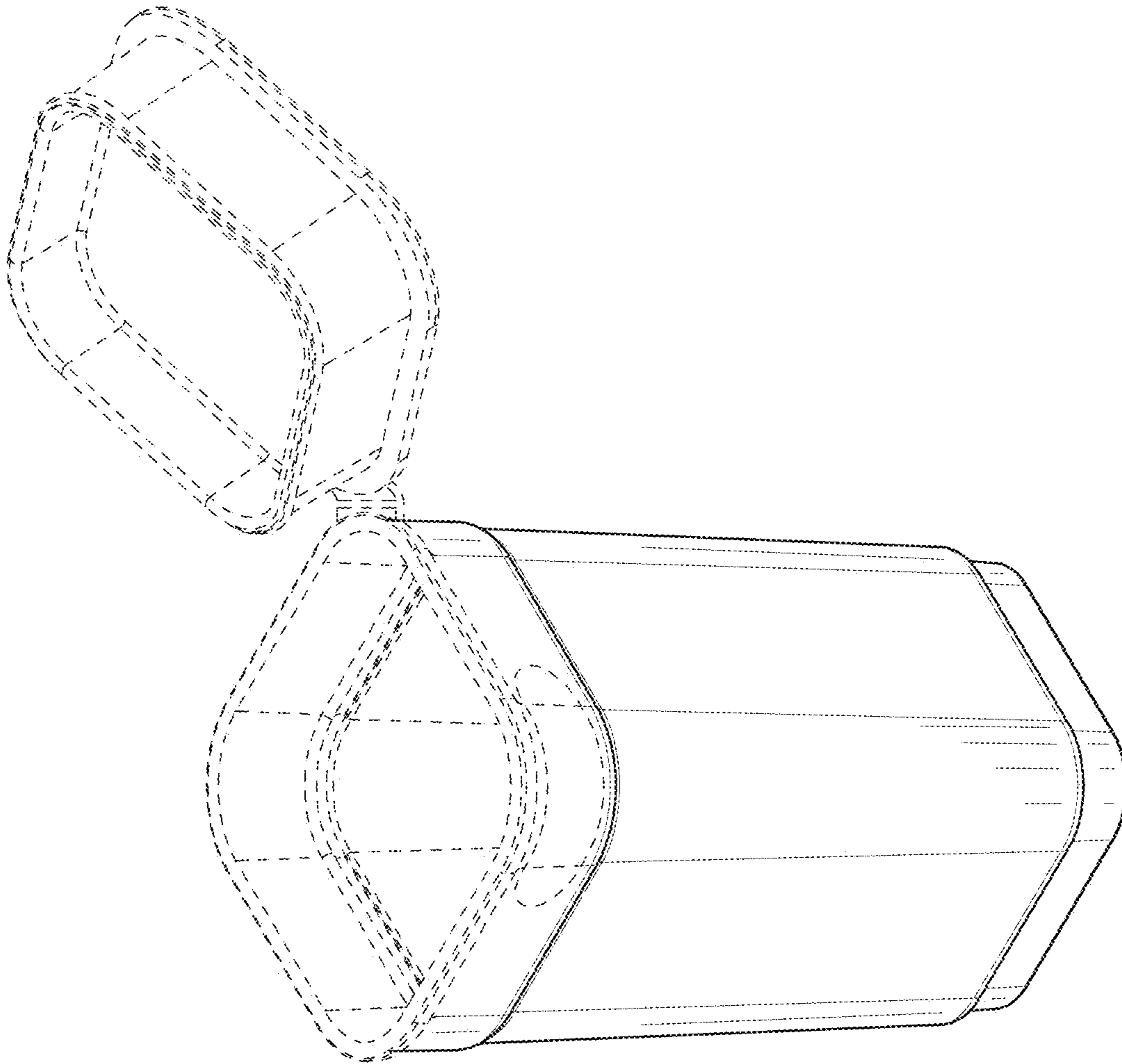


FIG. 25

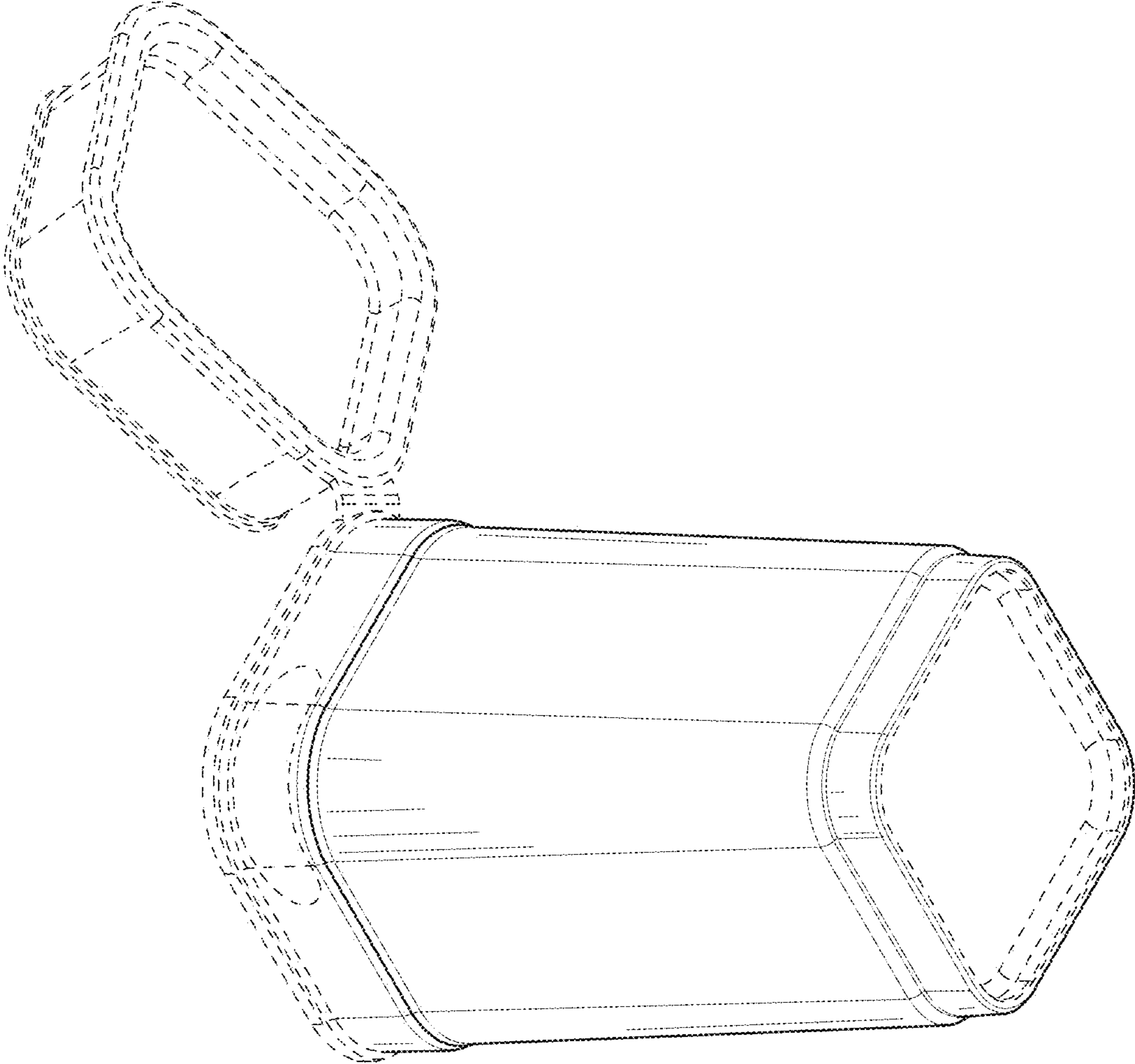


FIG. 26

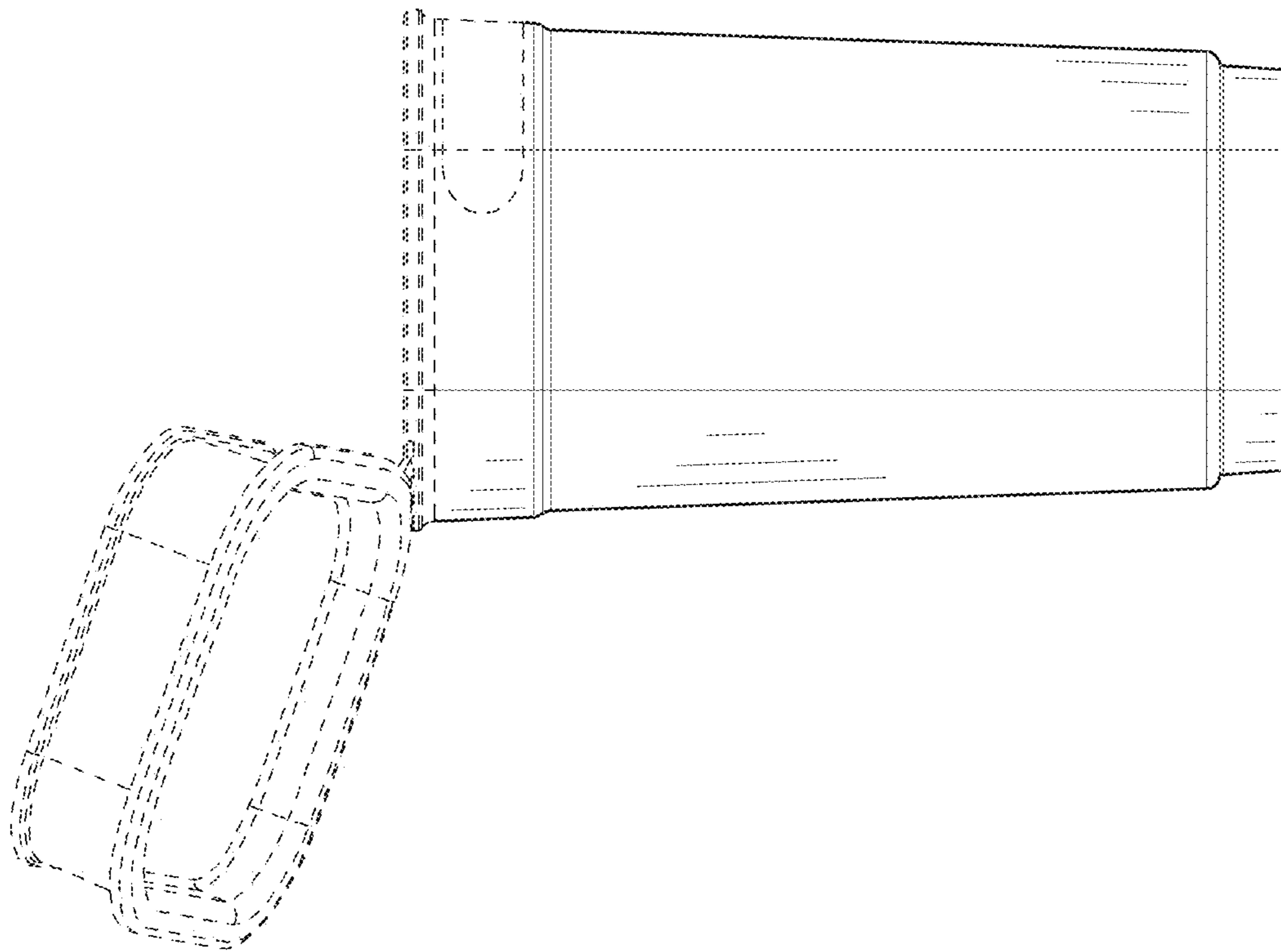


FIG. 27

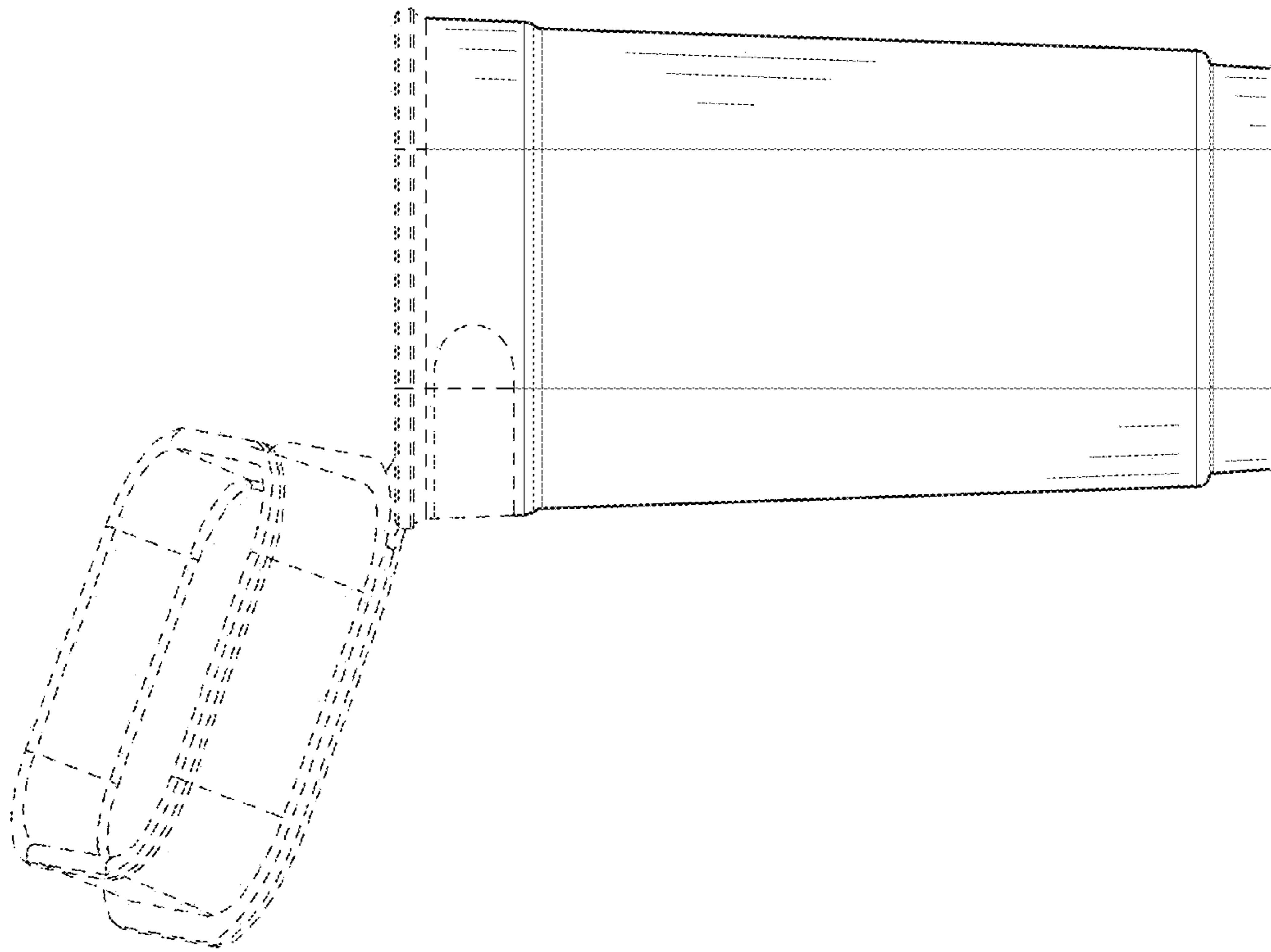


FIG. 28

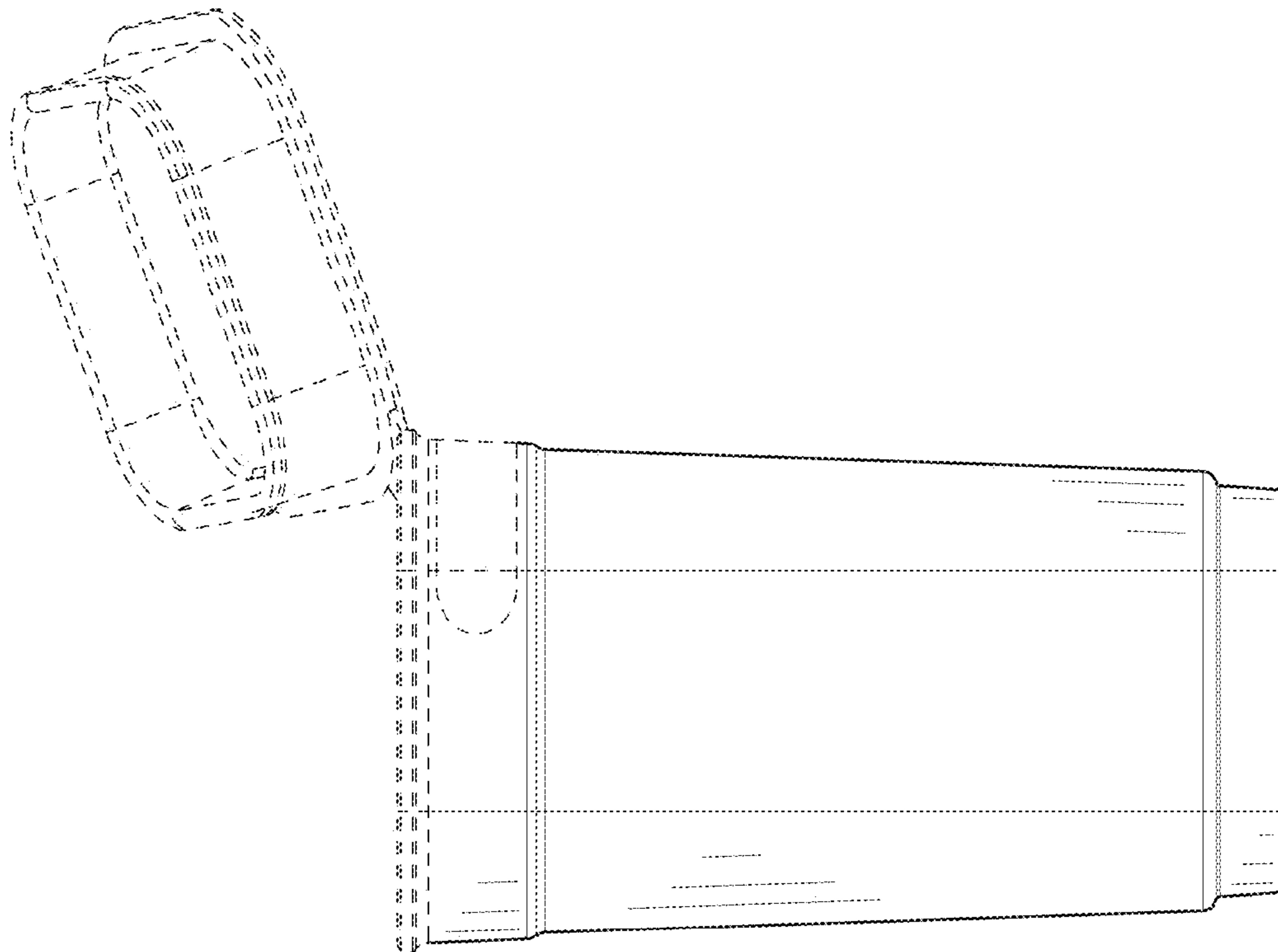


FIG. 29

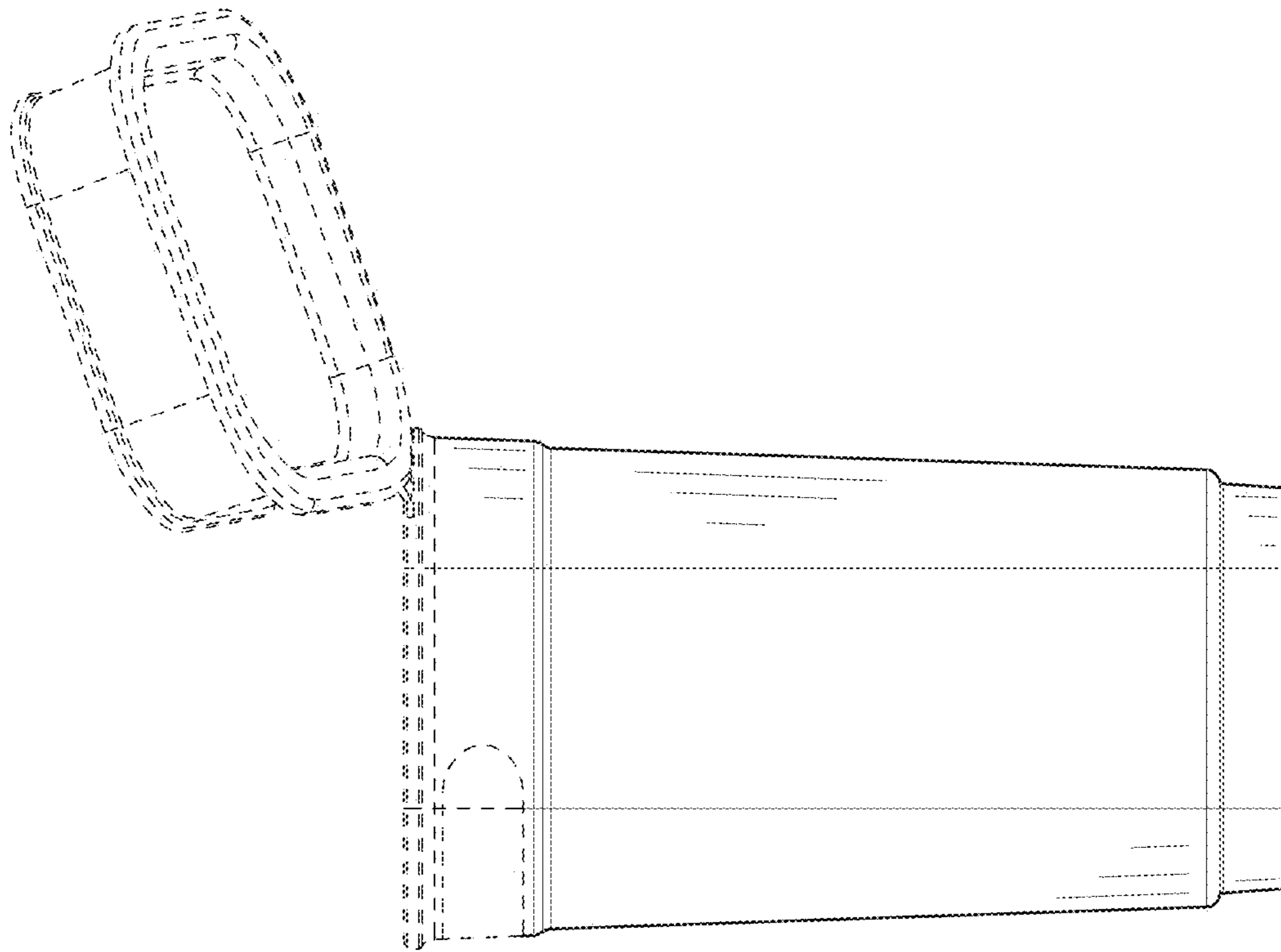


FIG. 30

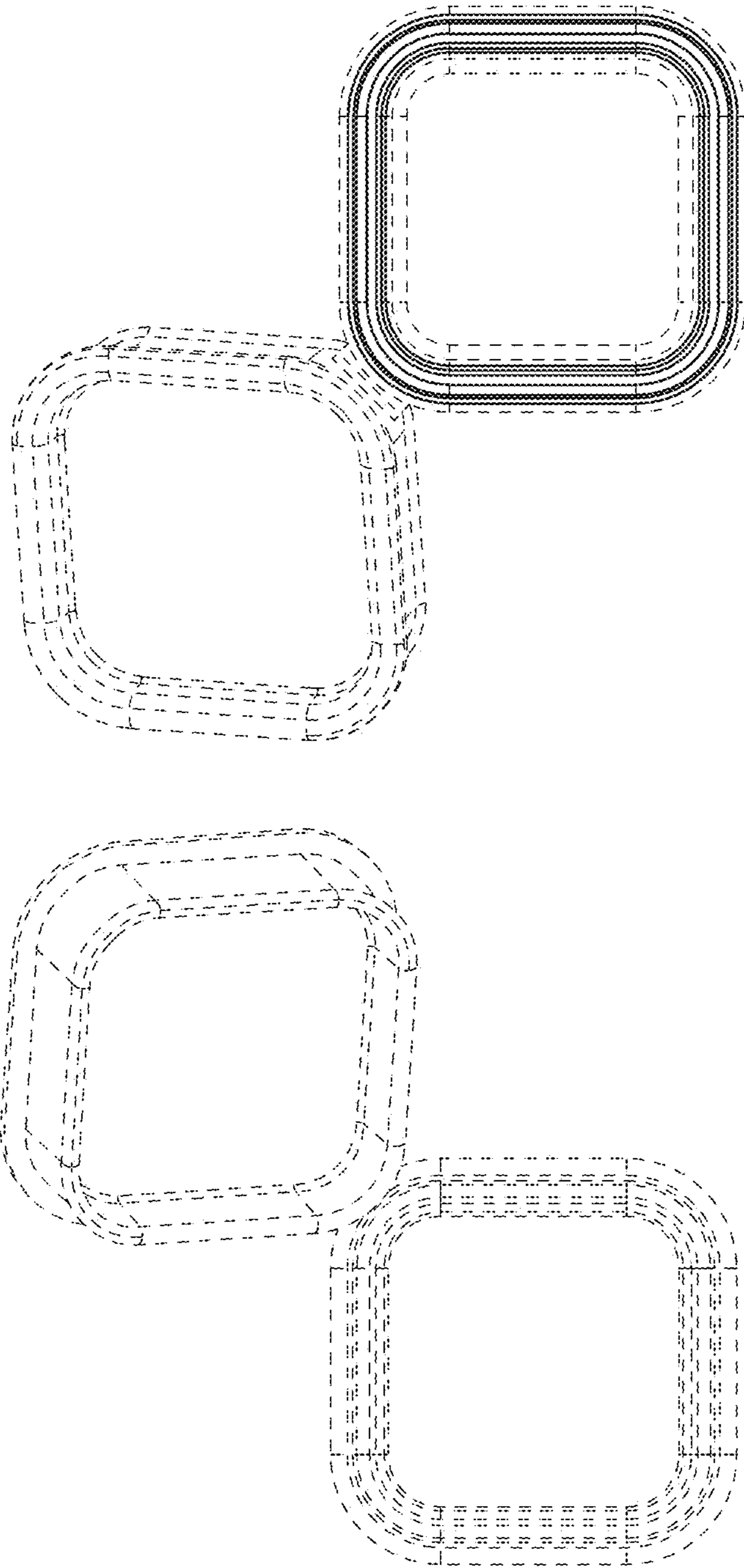


FIG. 32

FIG. 31

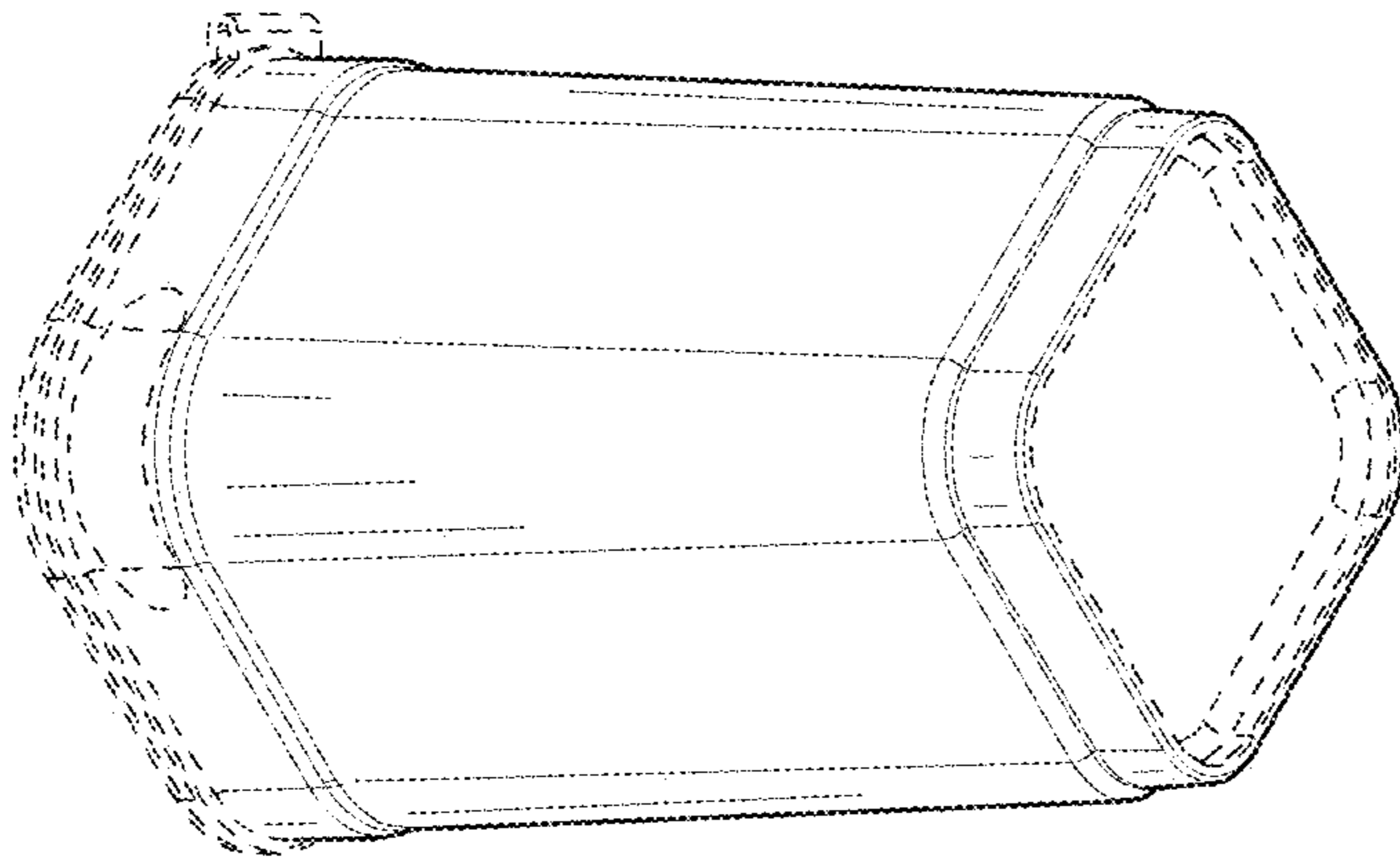


FIG. 34

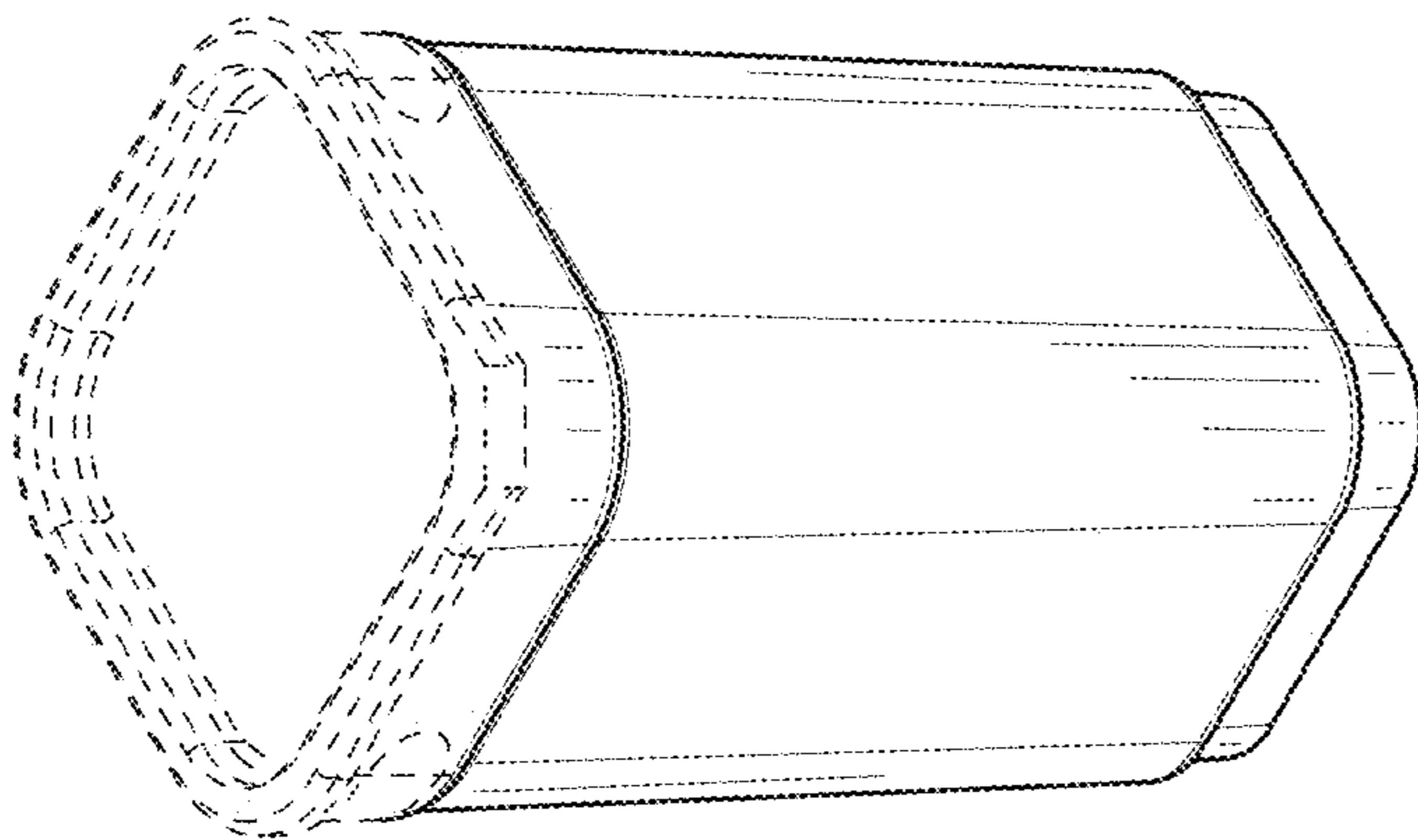


FIG. 33

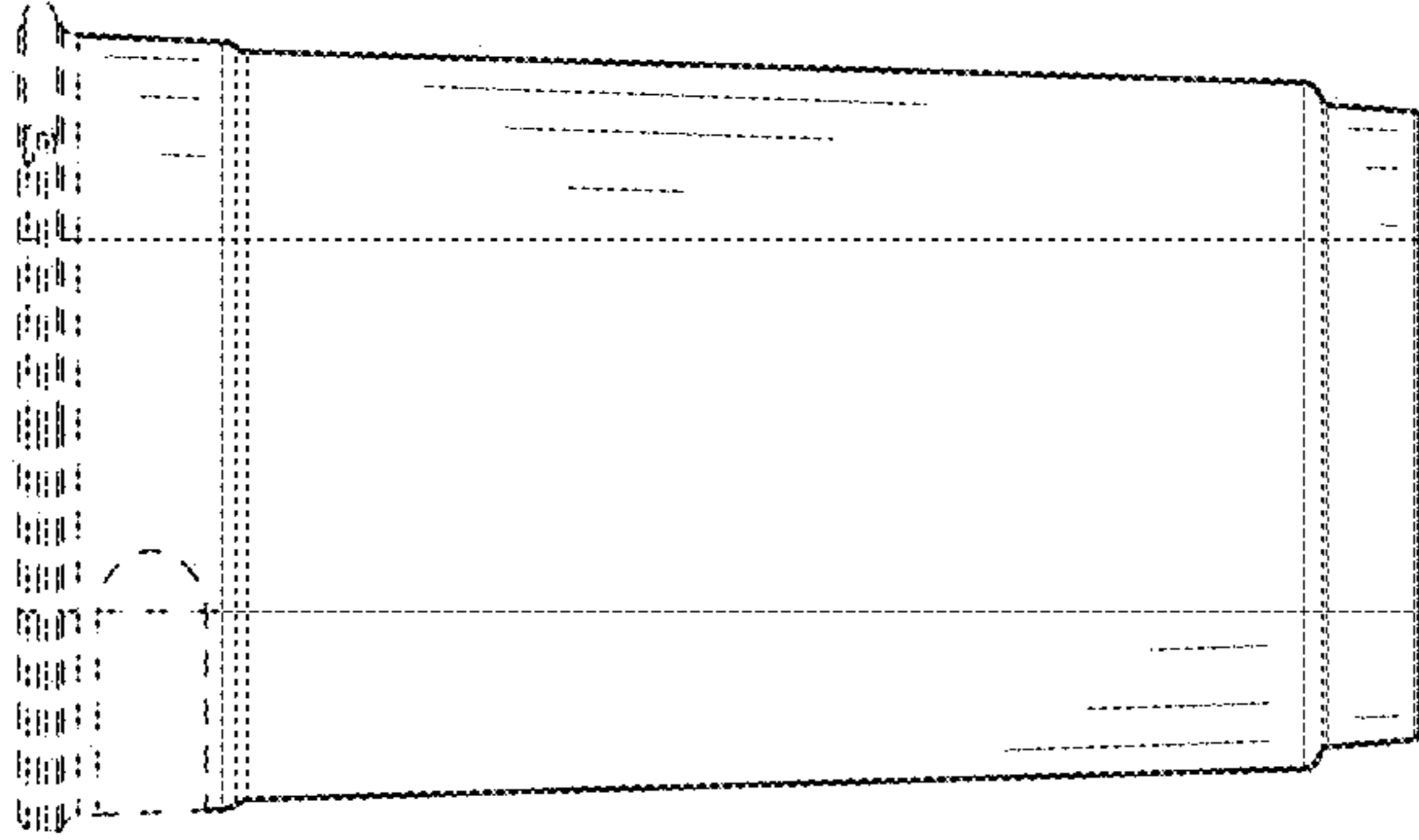


FIG. 35

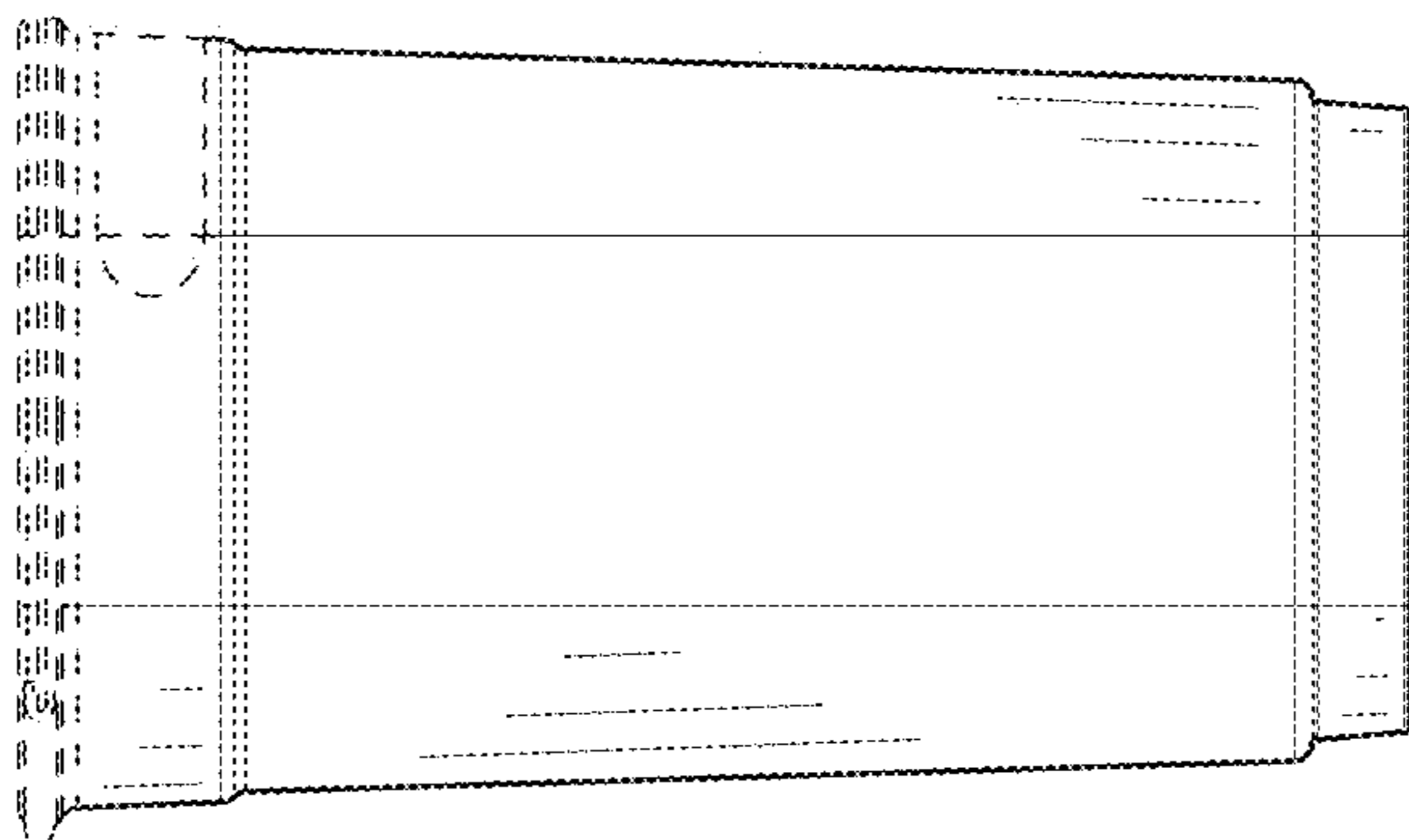


FIG. 36

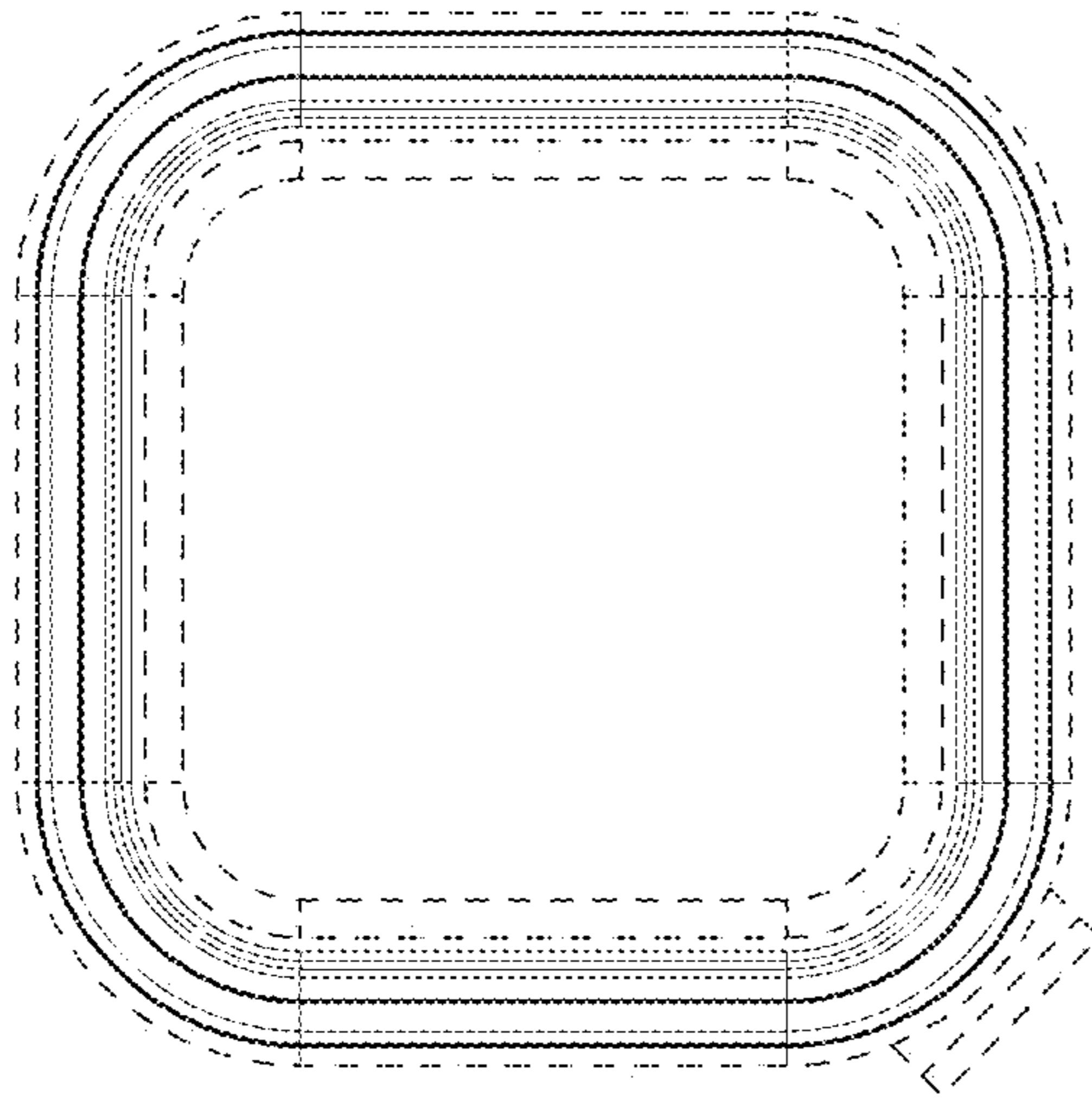


FIG. 38

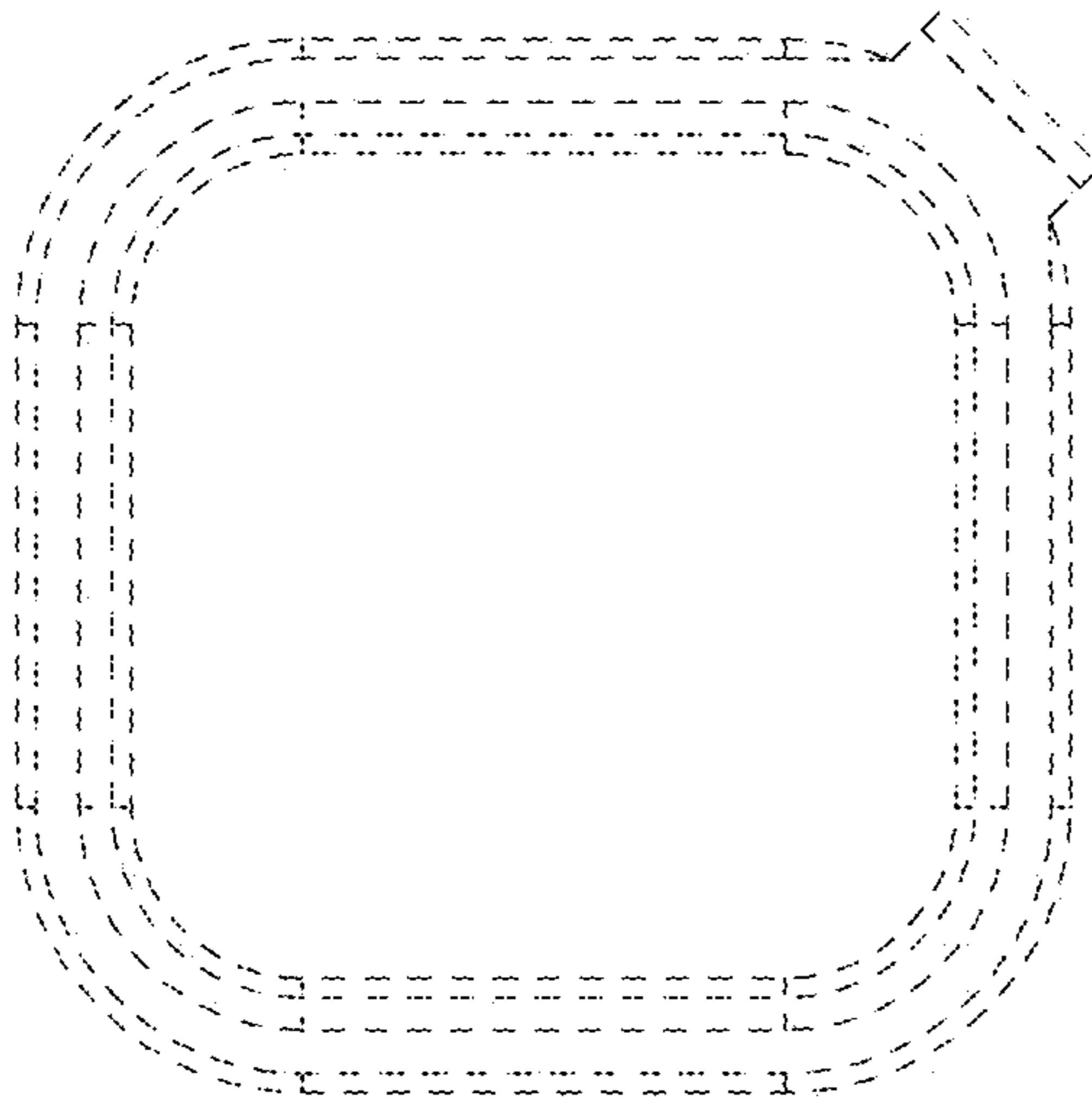


FIG. 37

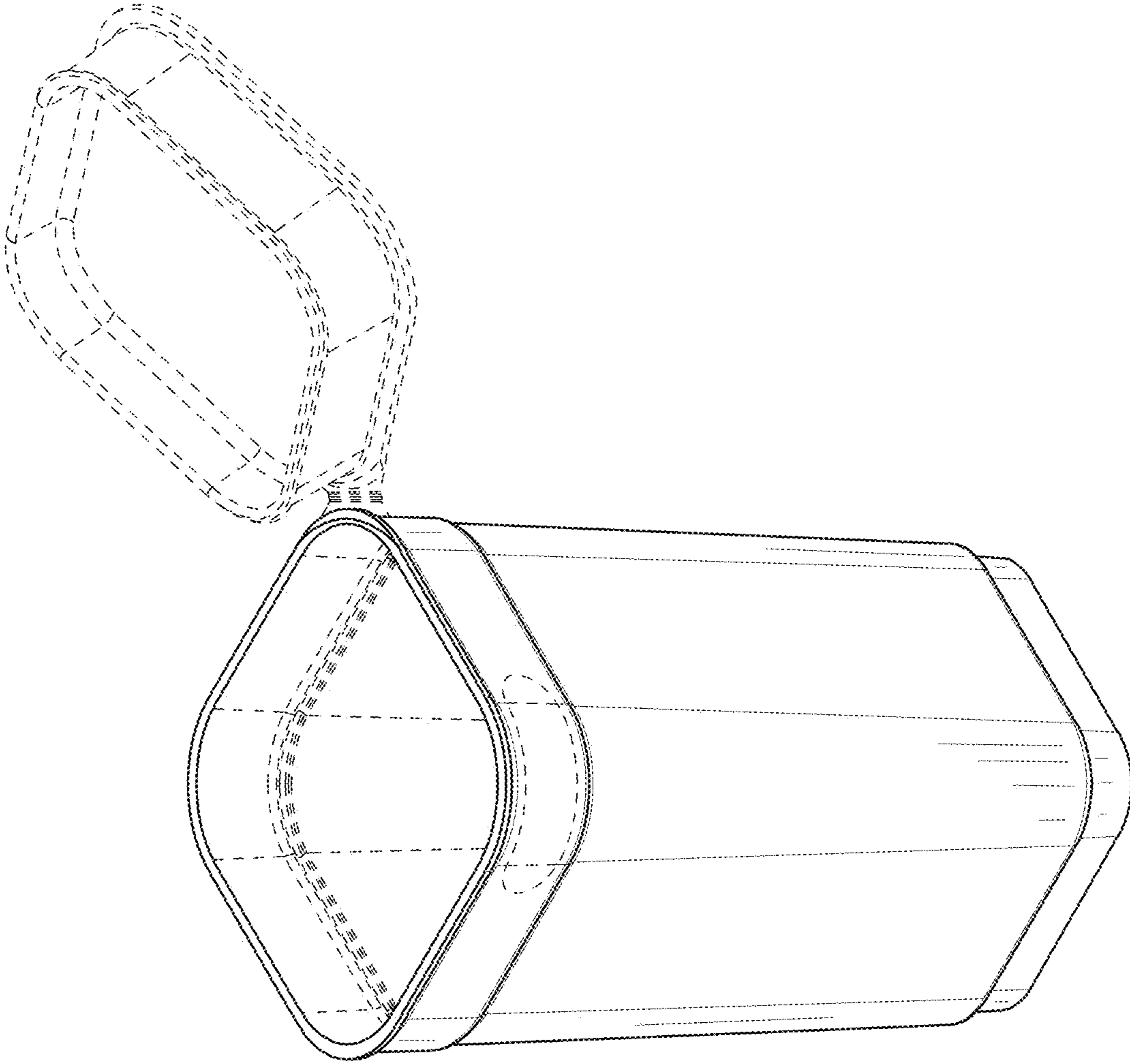


FIG. 39

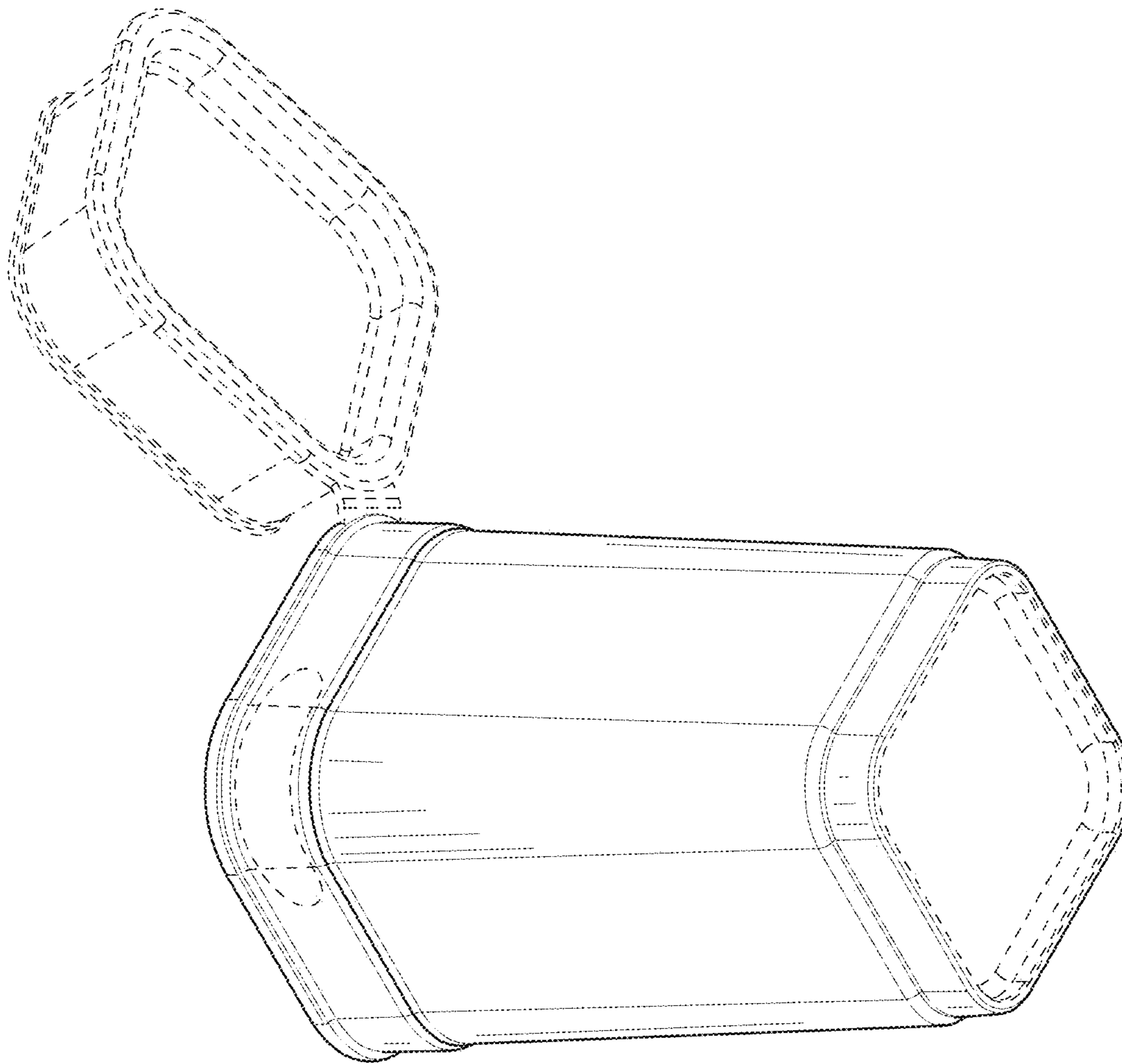


FIG. 40

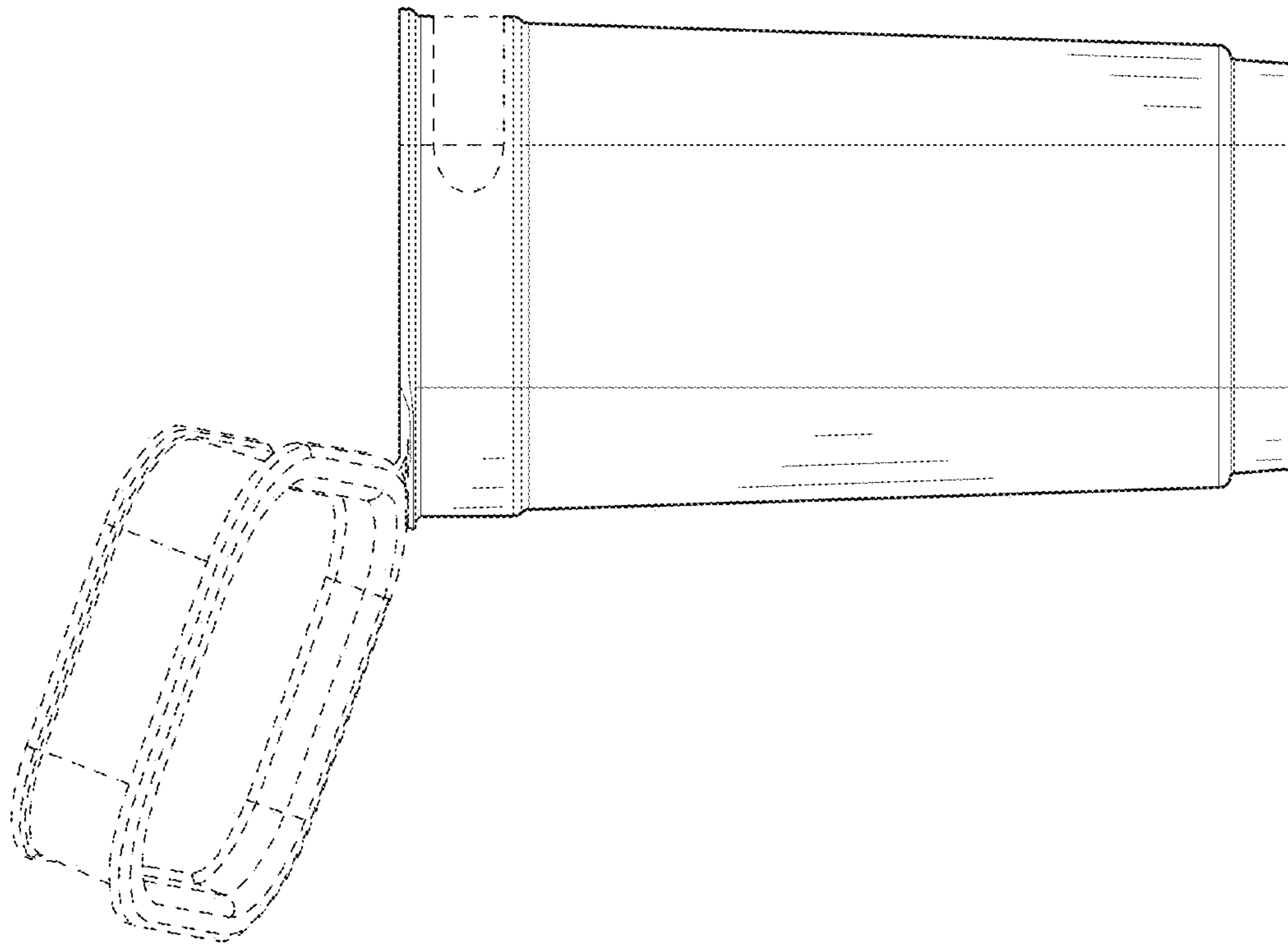


FIG. 41

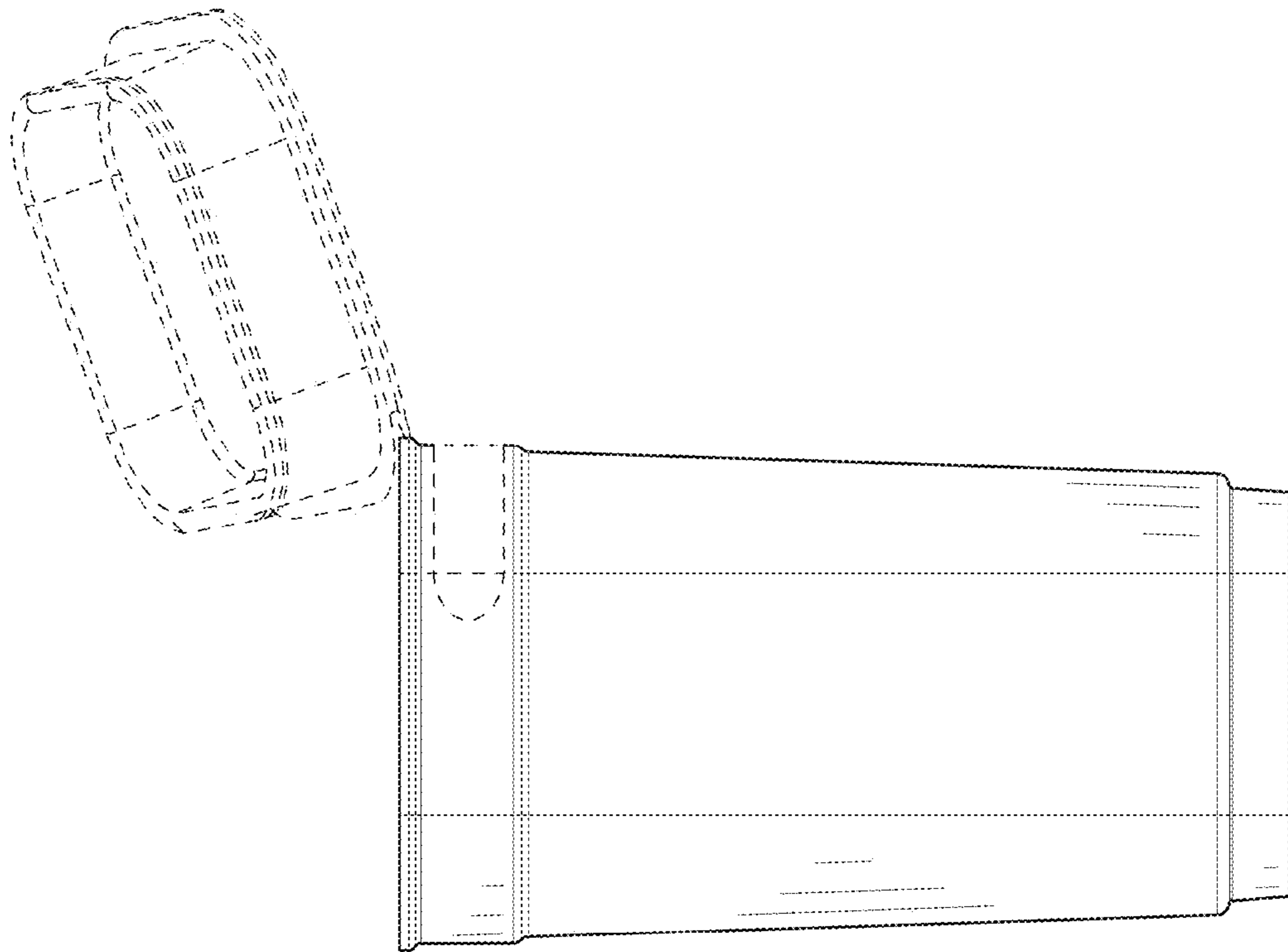


FIG. 42

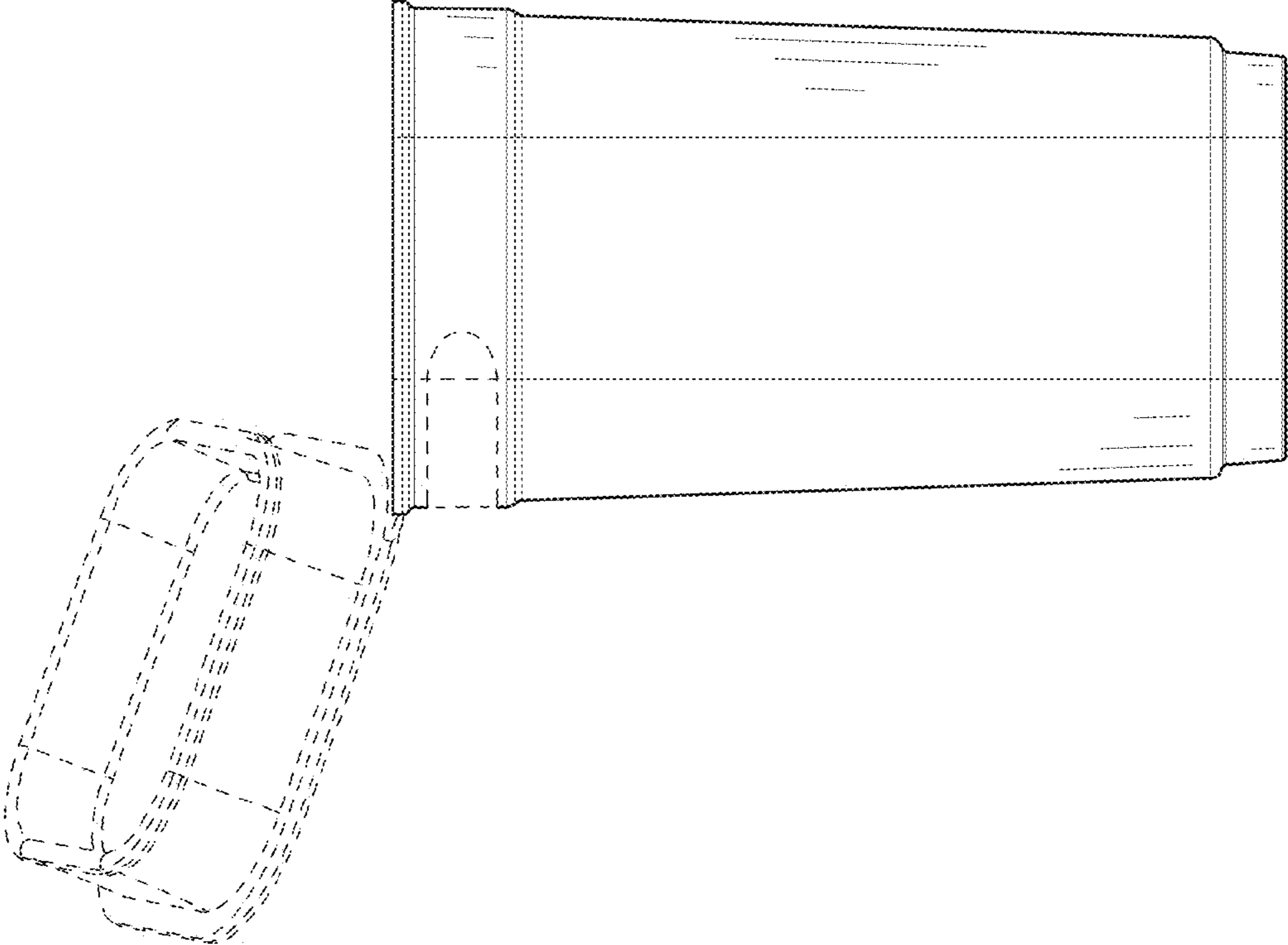


FIG. 43

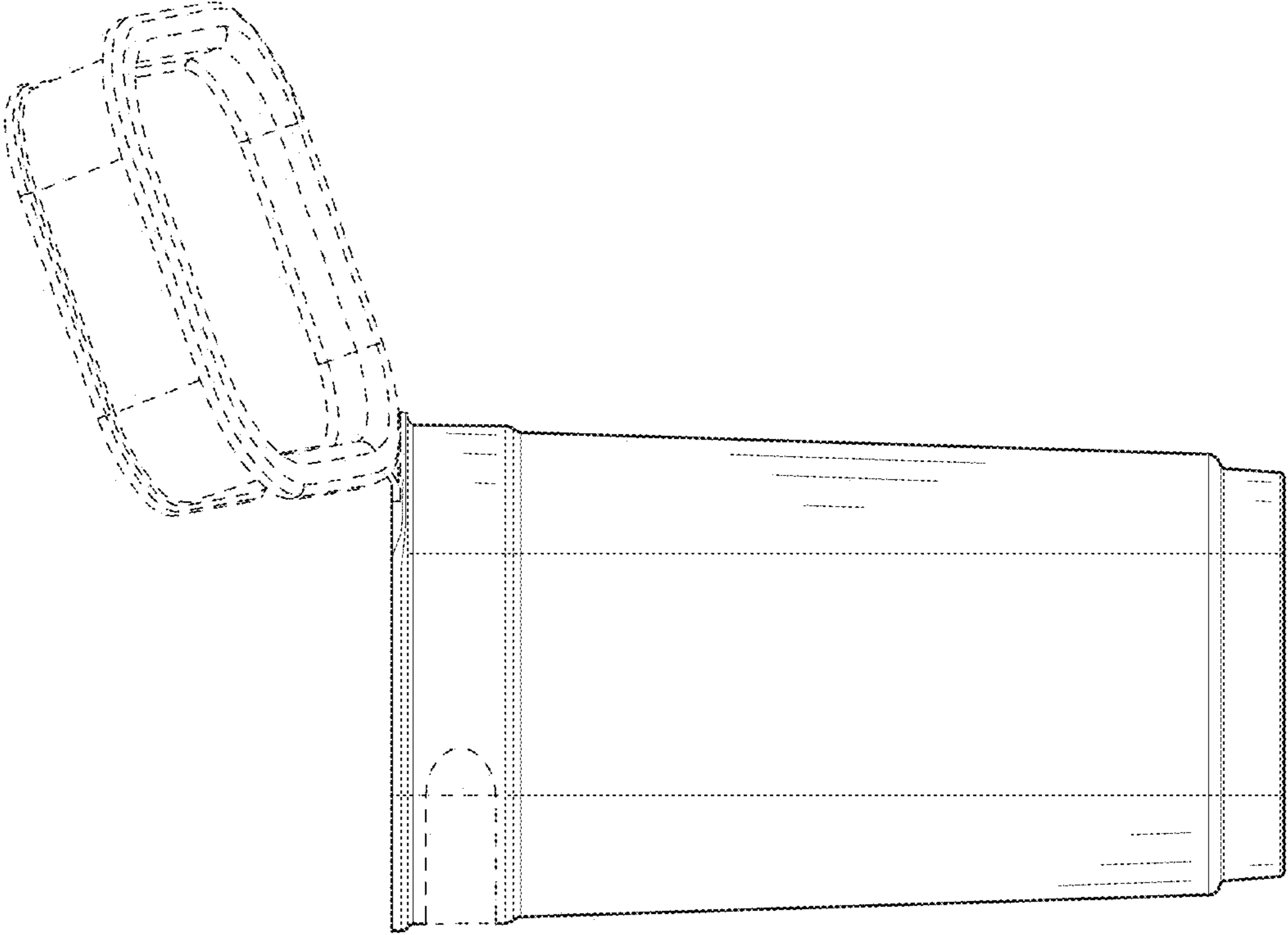


FIG. 44

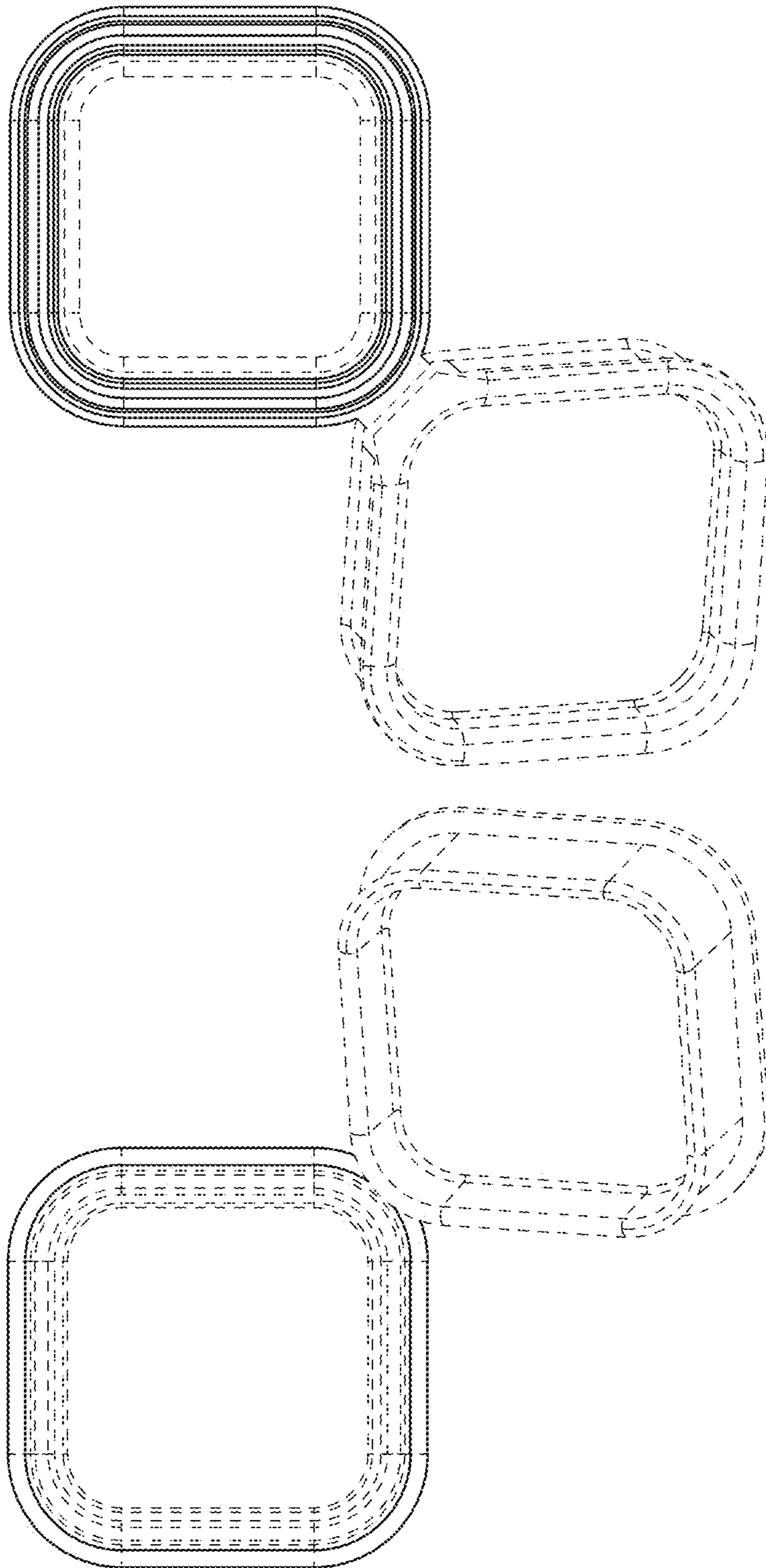


FIG. 46

FIG. 45

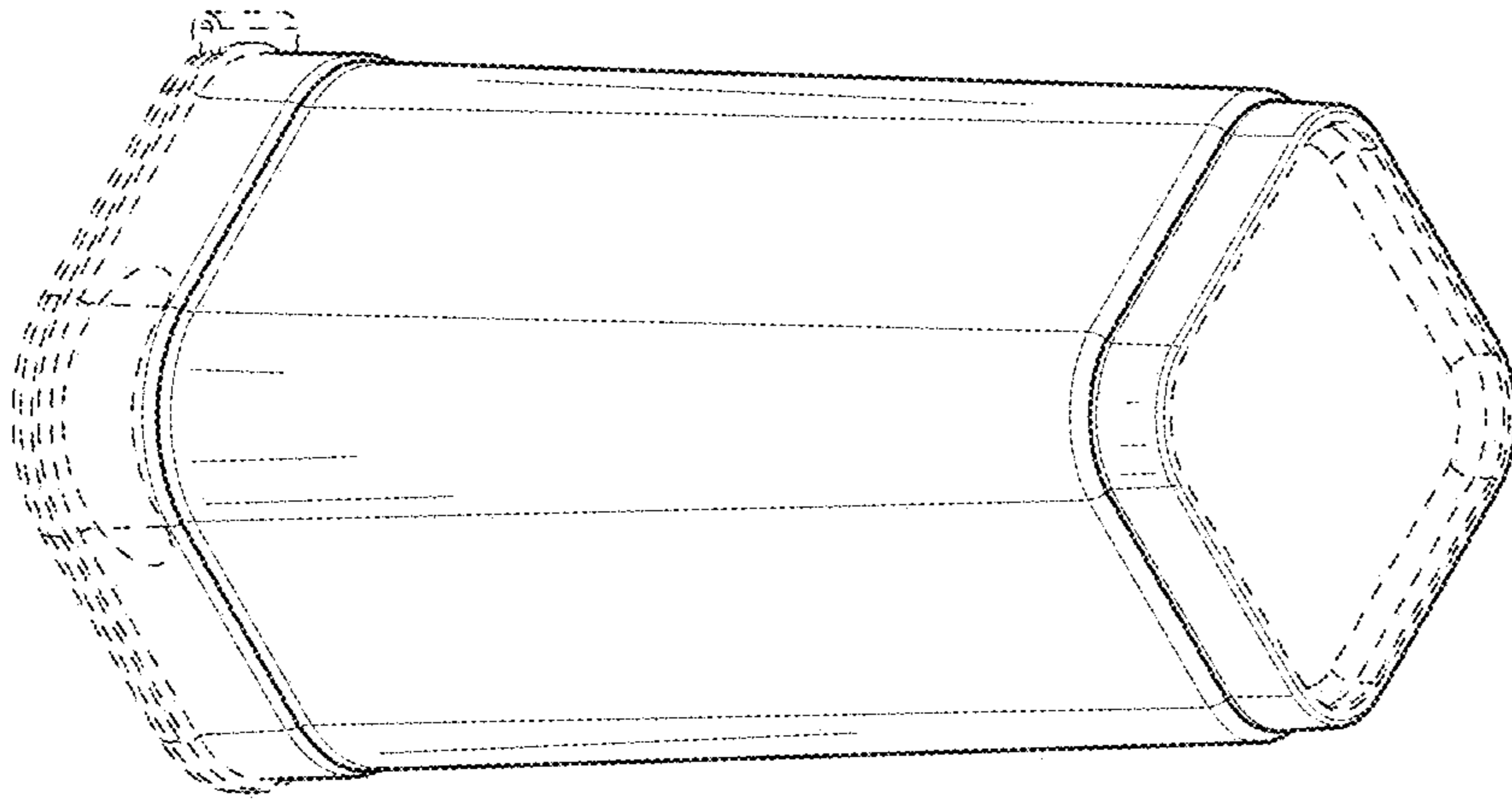


FIG. 48

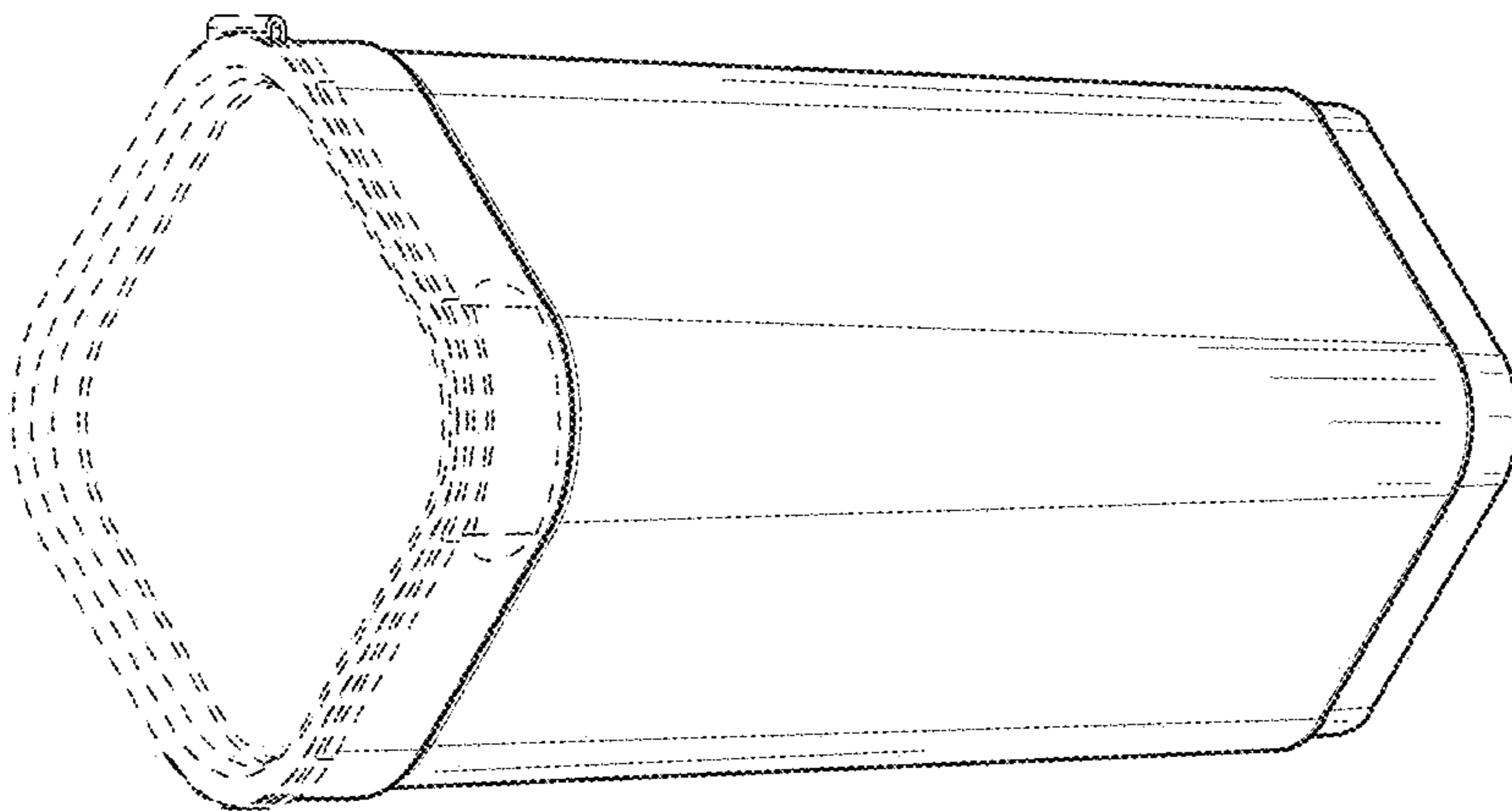


FIG. 47

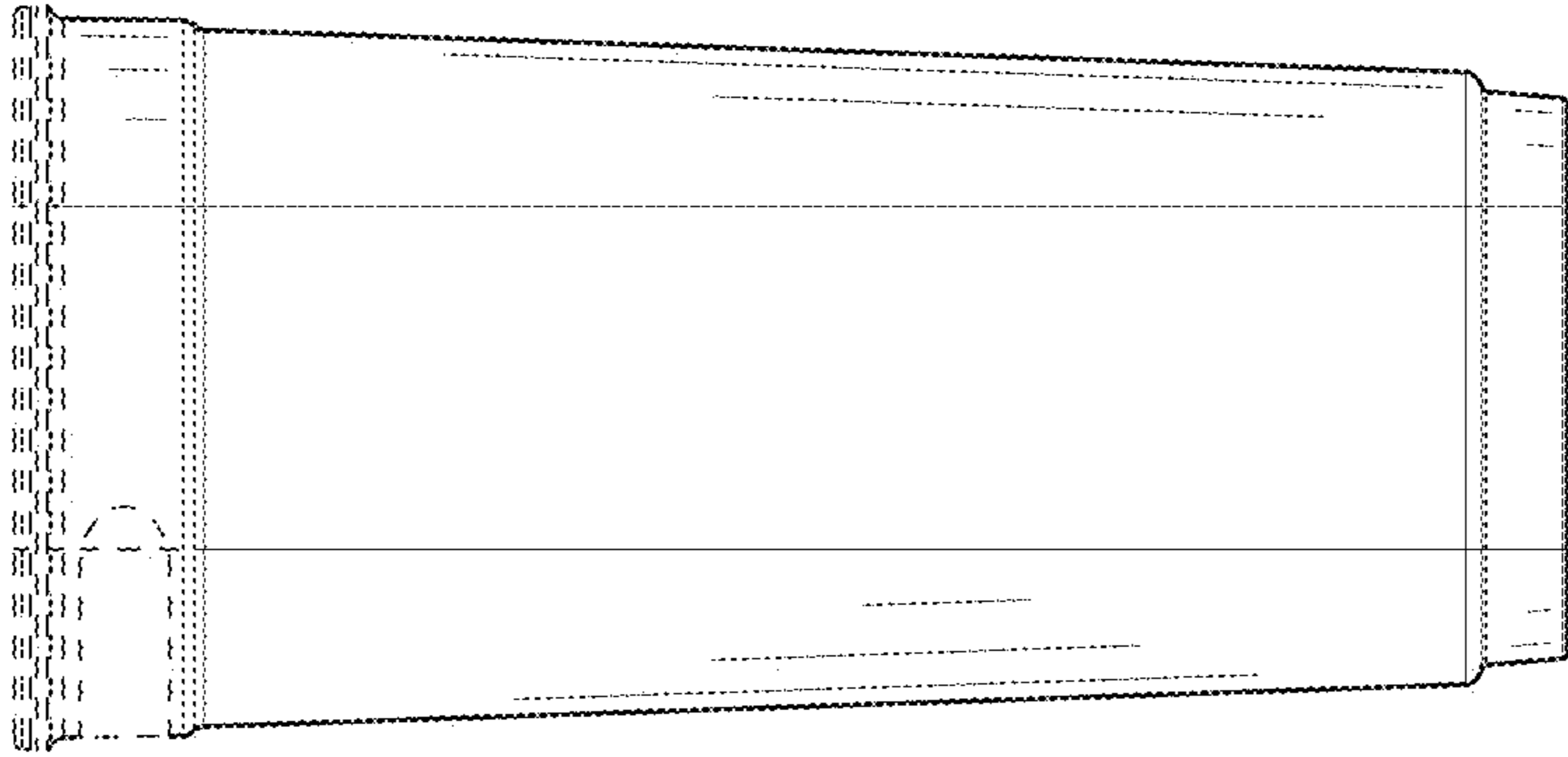


FIG. 49

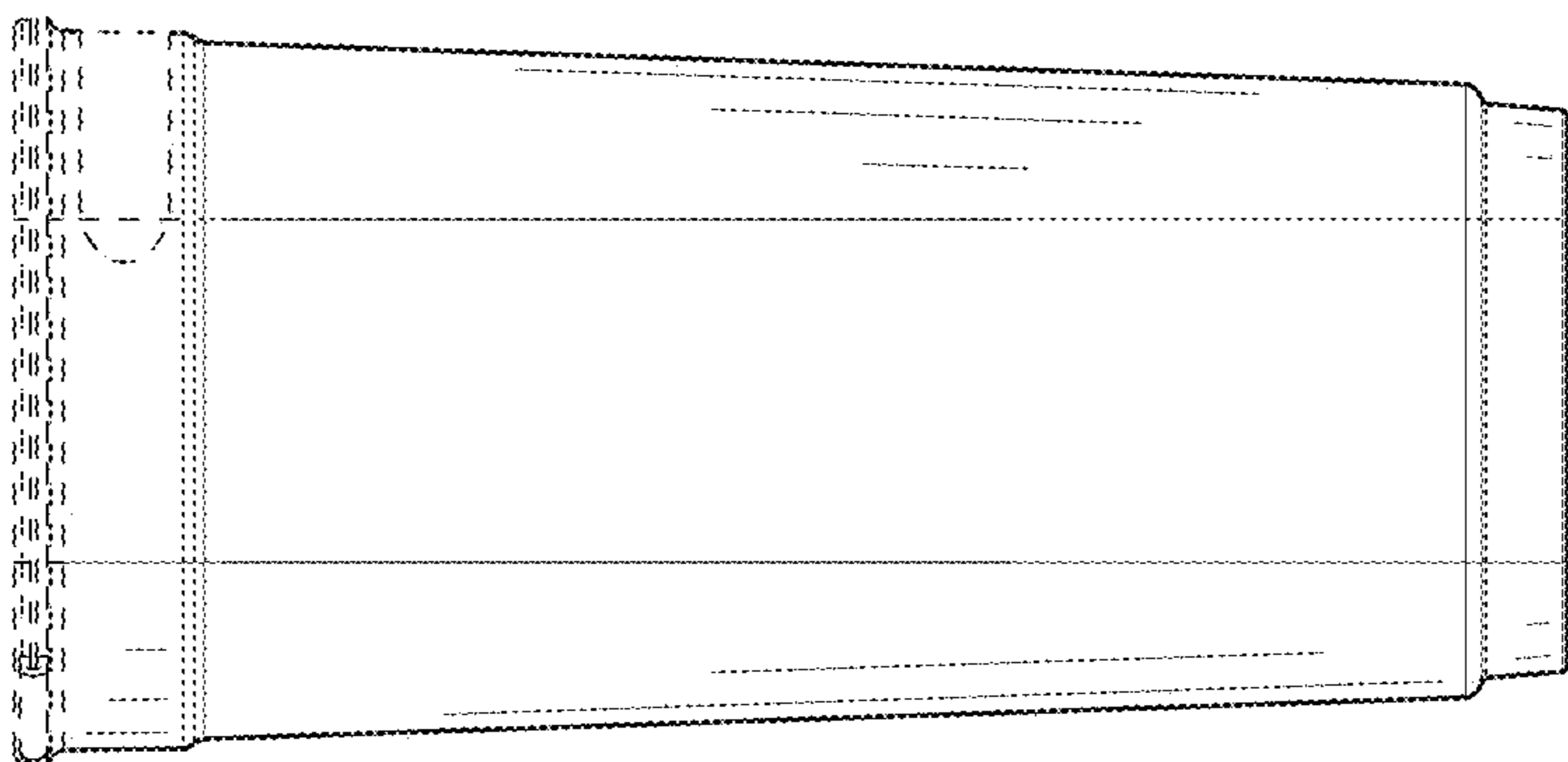


FIG. 50

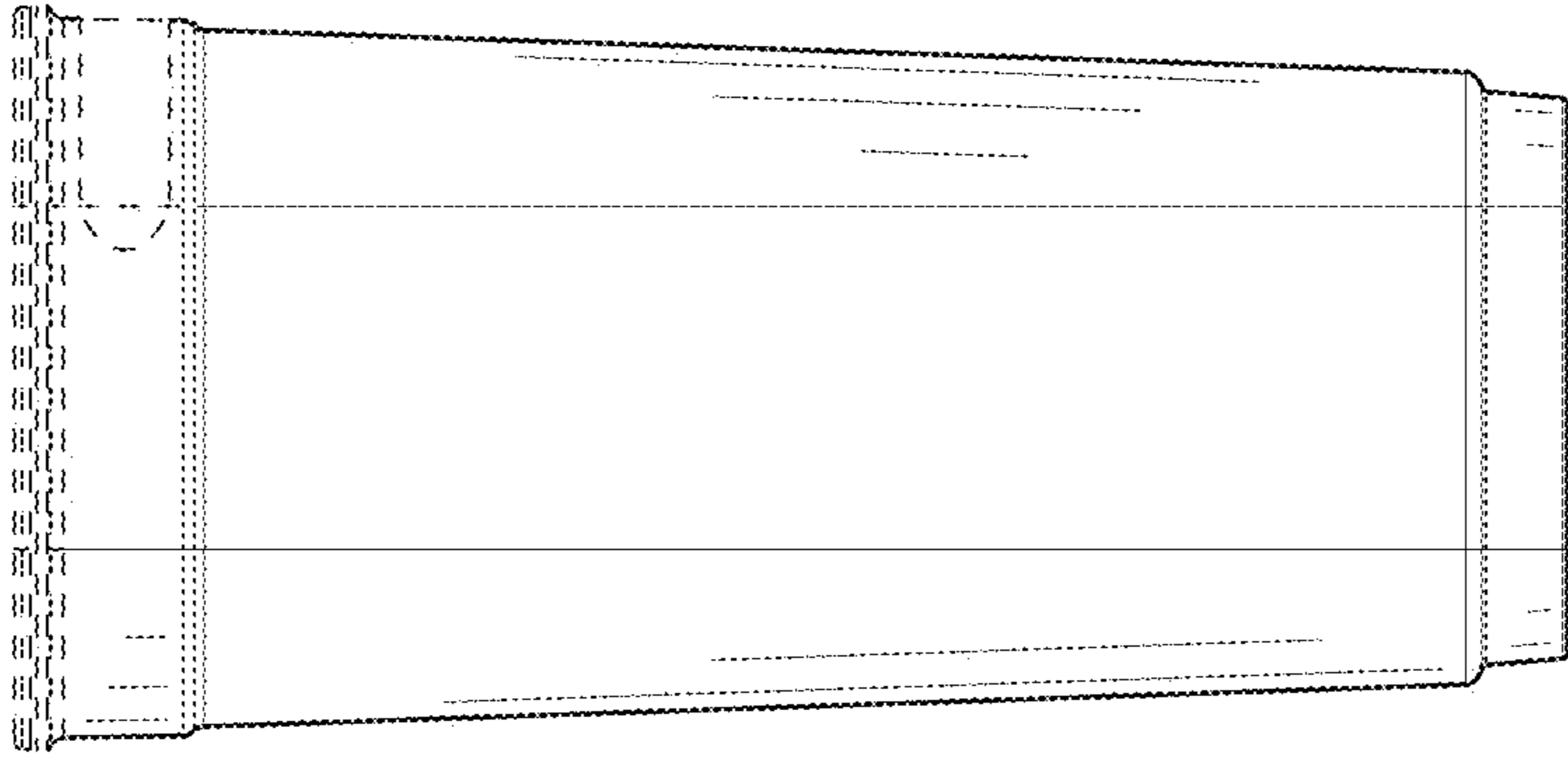


FIG. 51

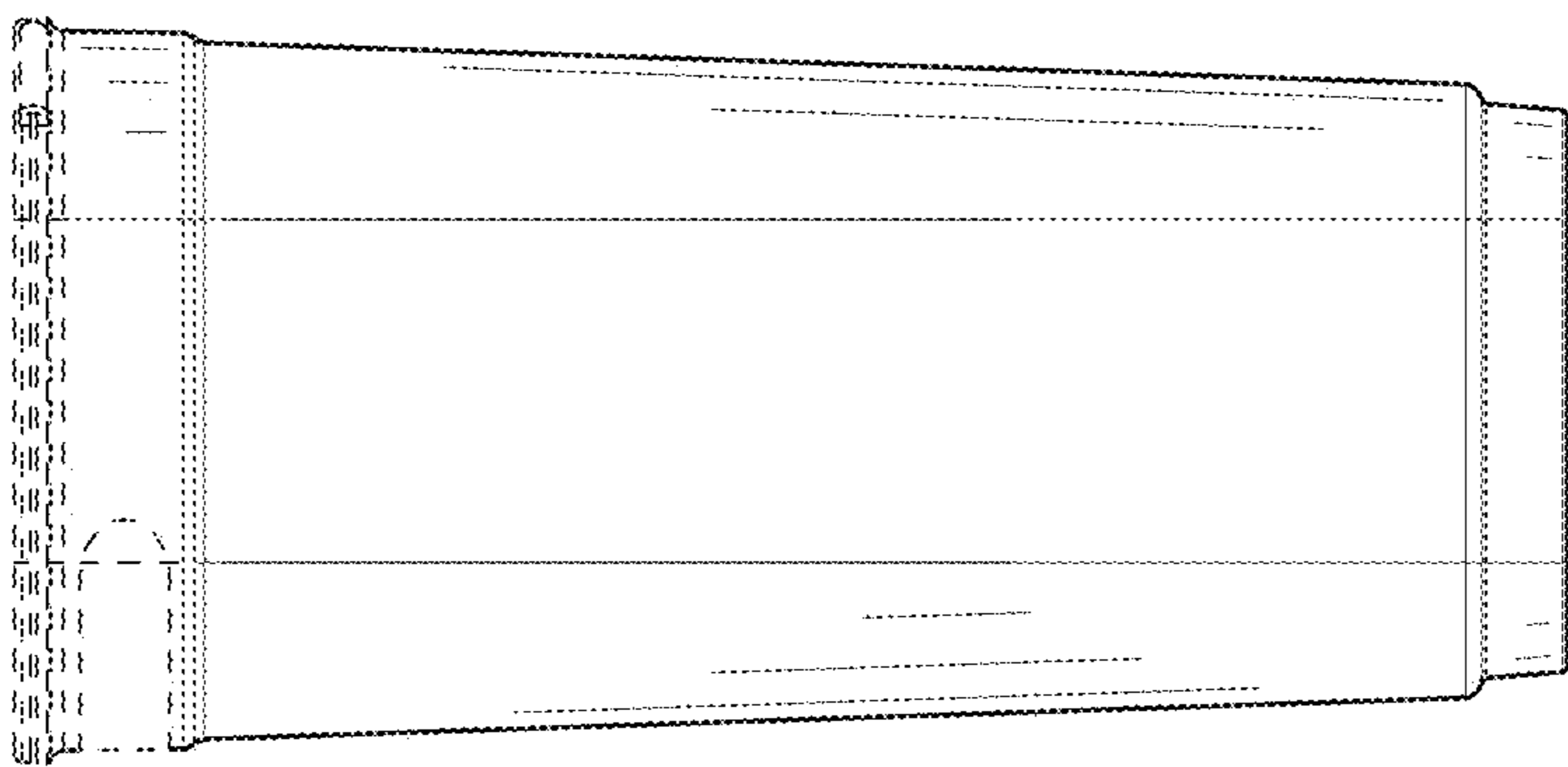


FIG. 52

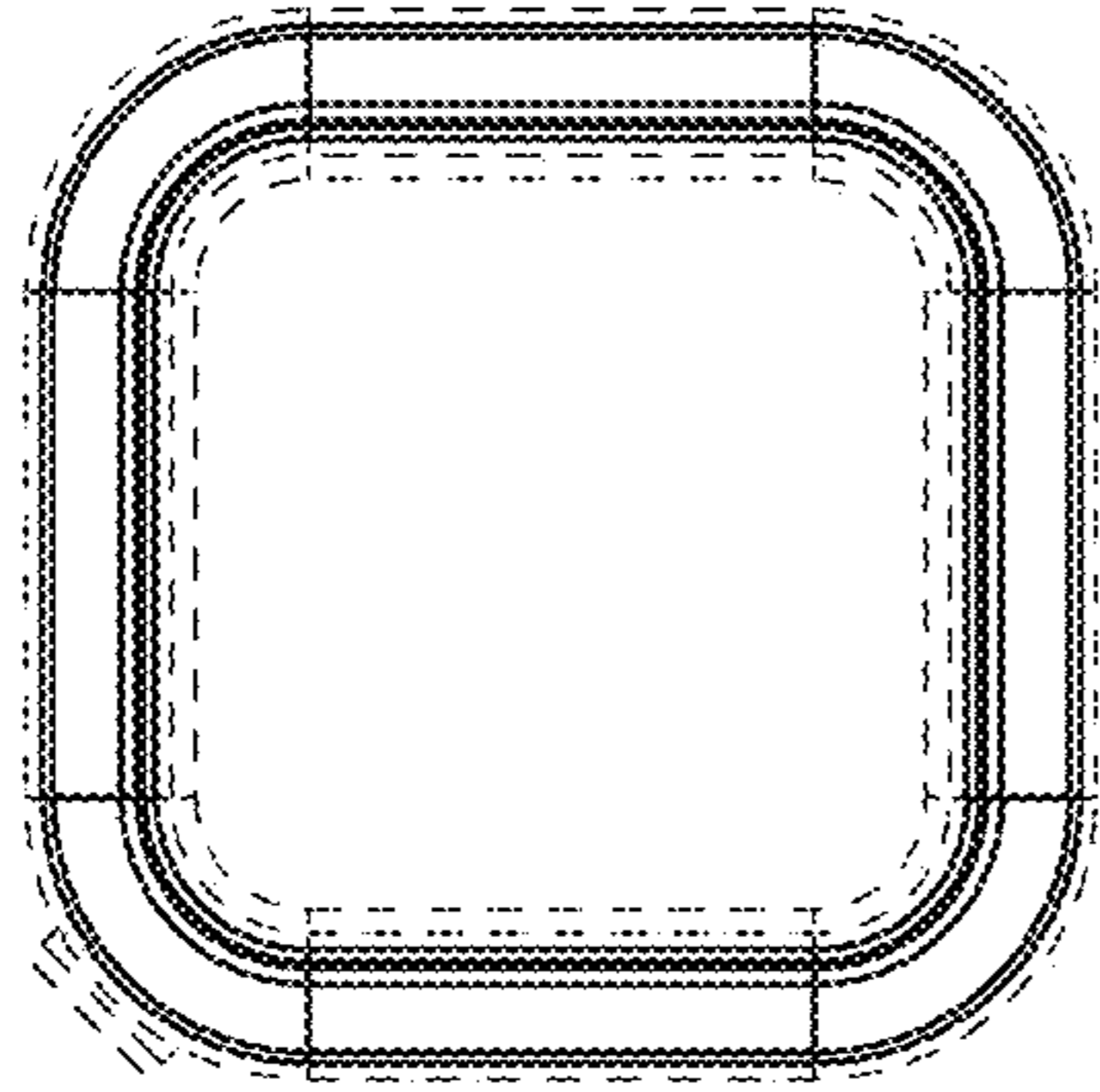


FIG. 54

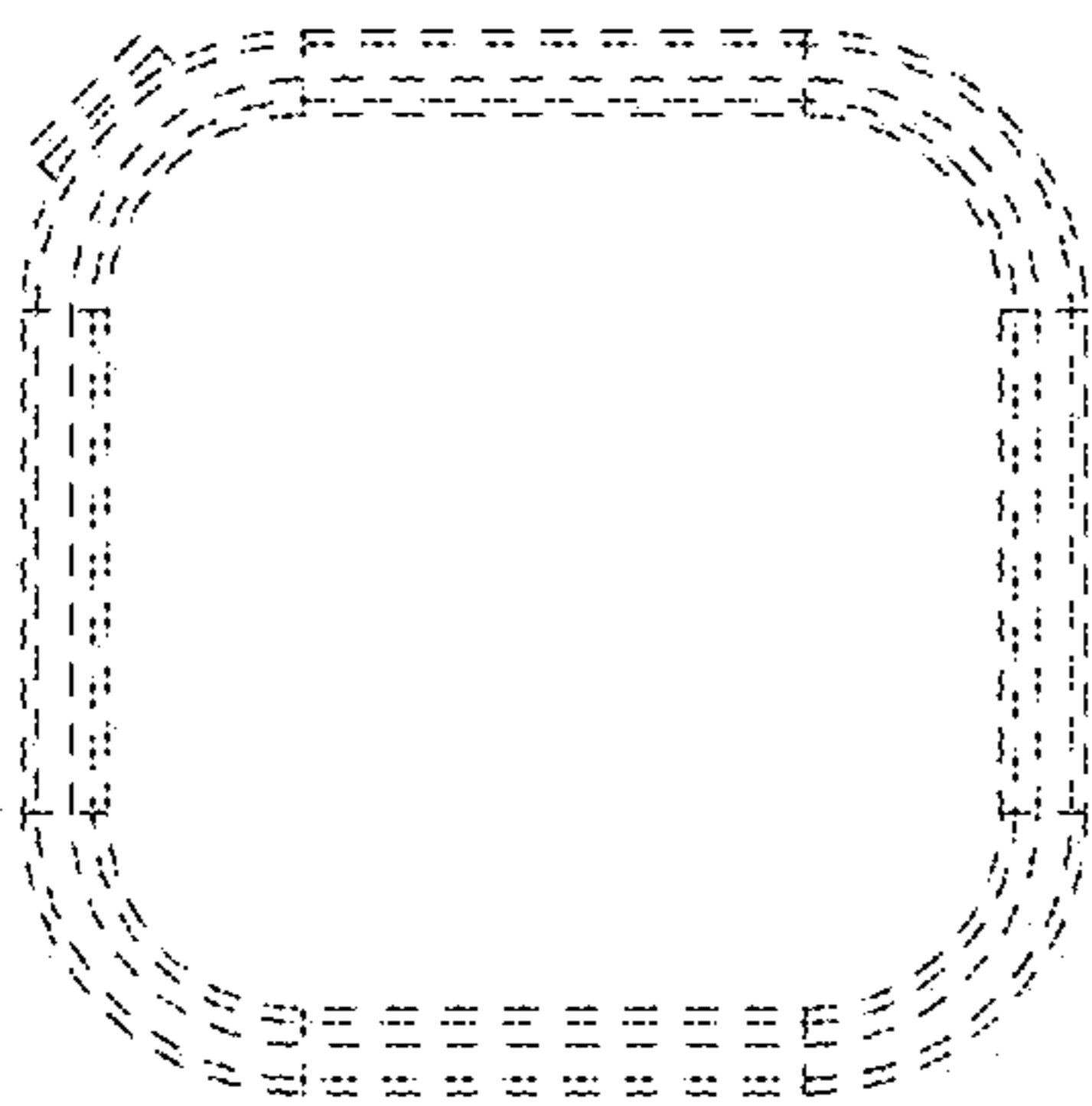


FIG. 53

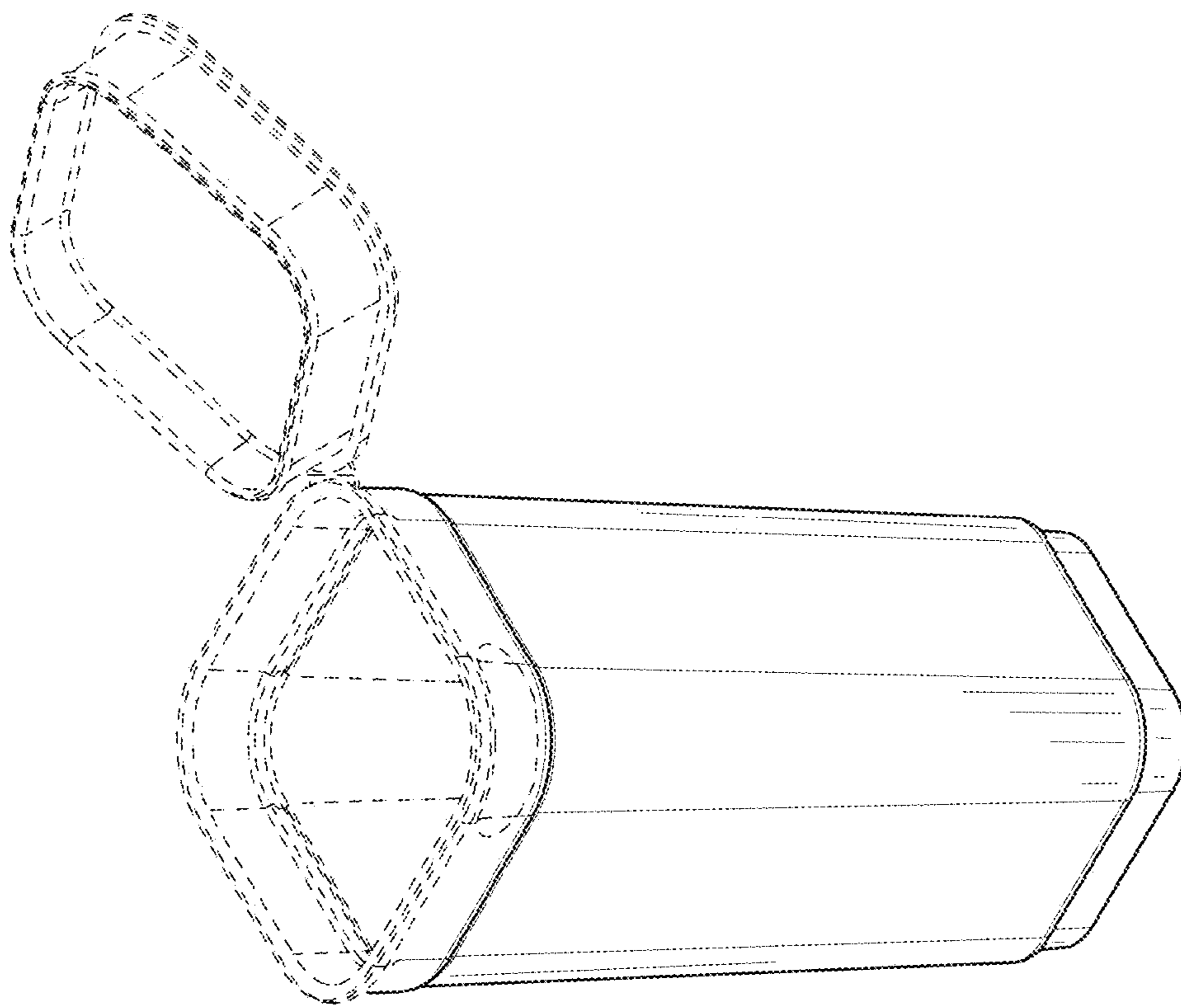


FIG. 55

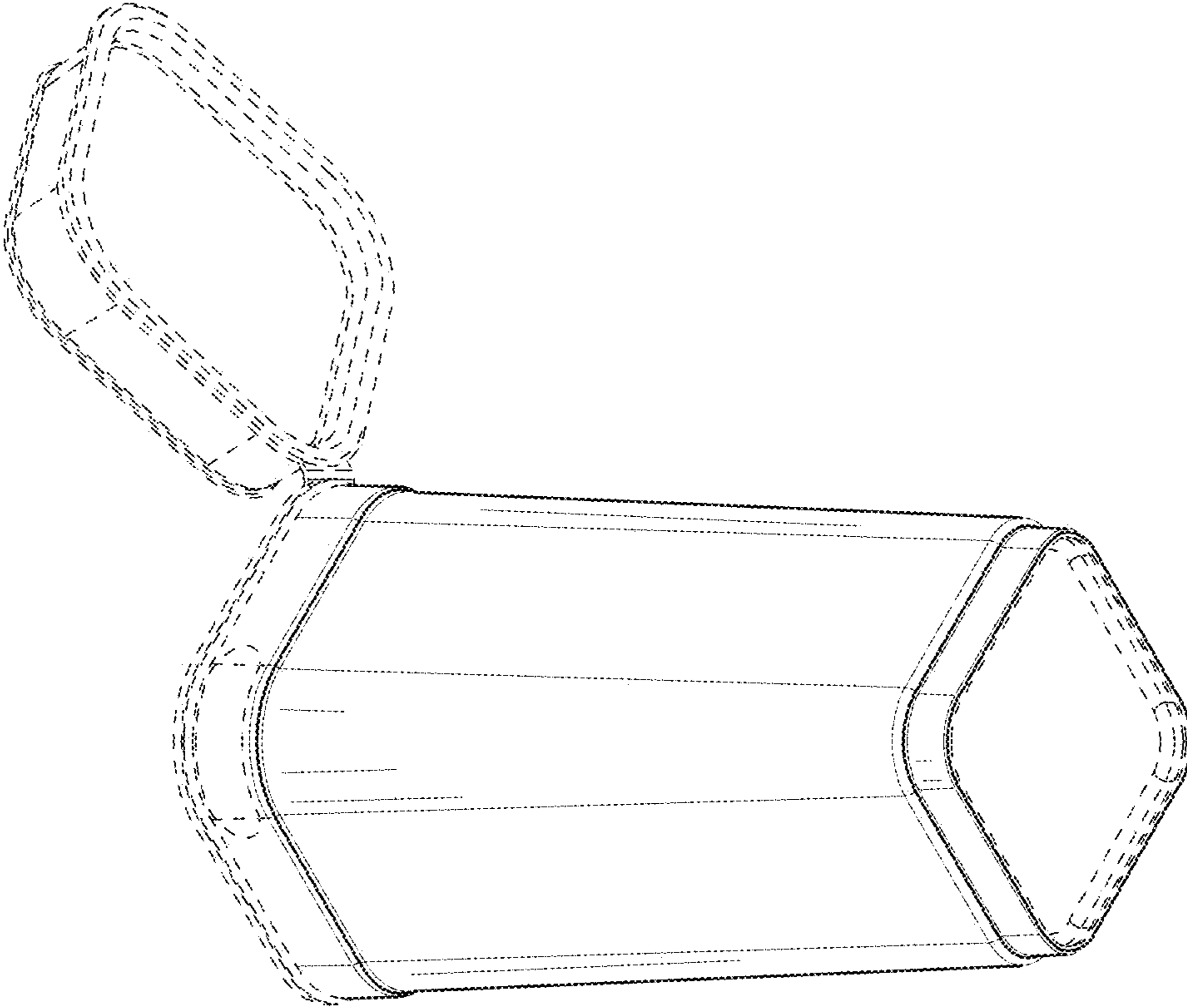


FIG. 56

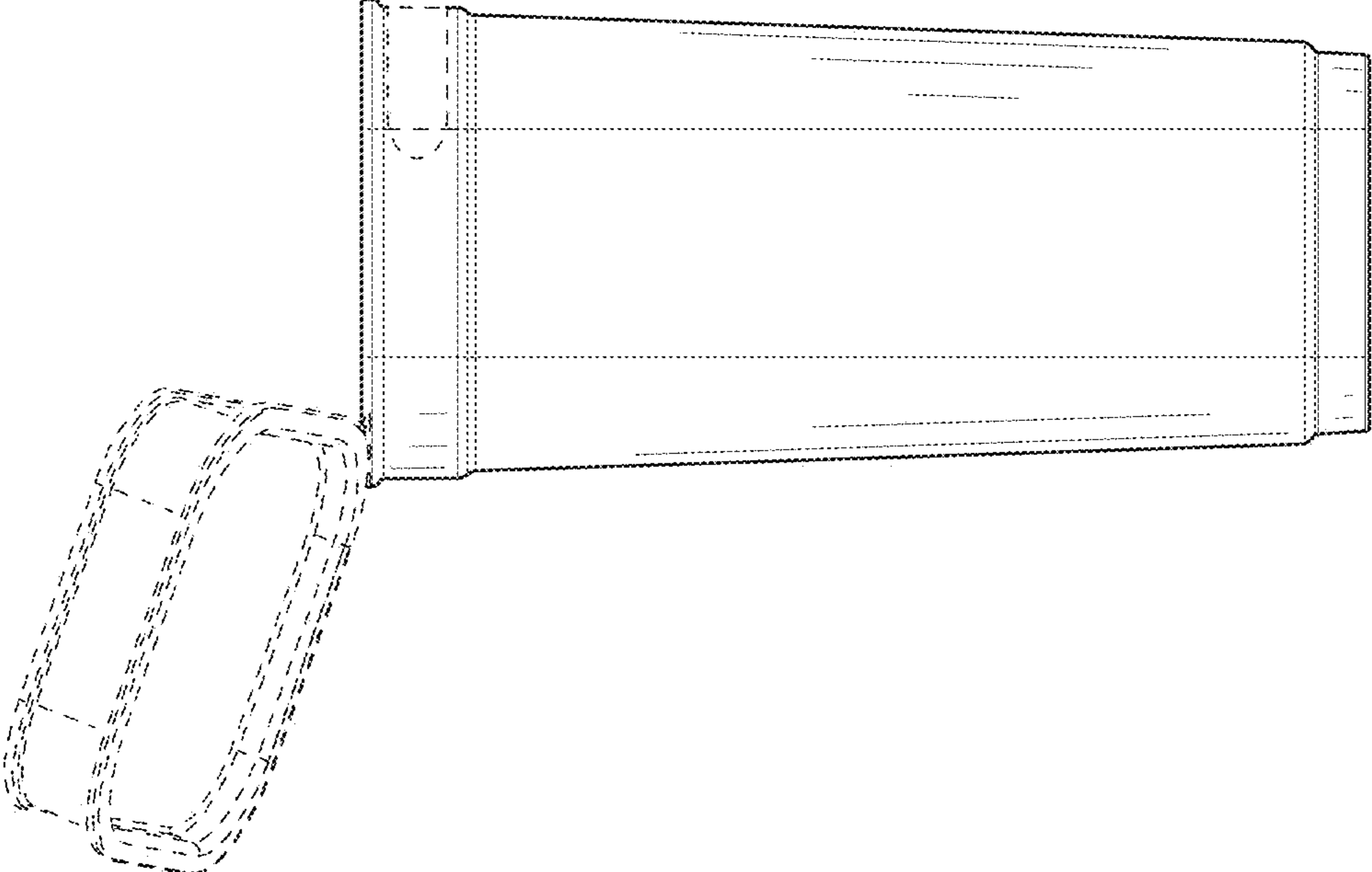


FIG. 57

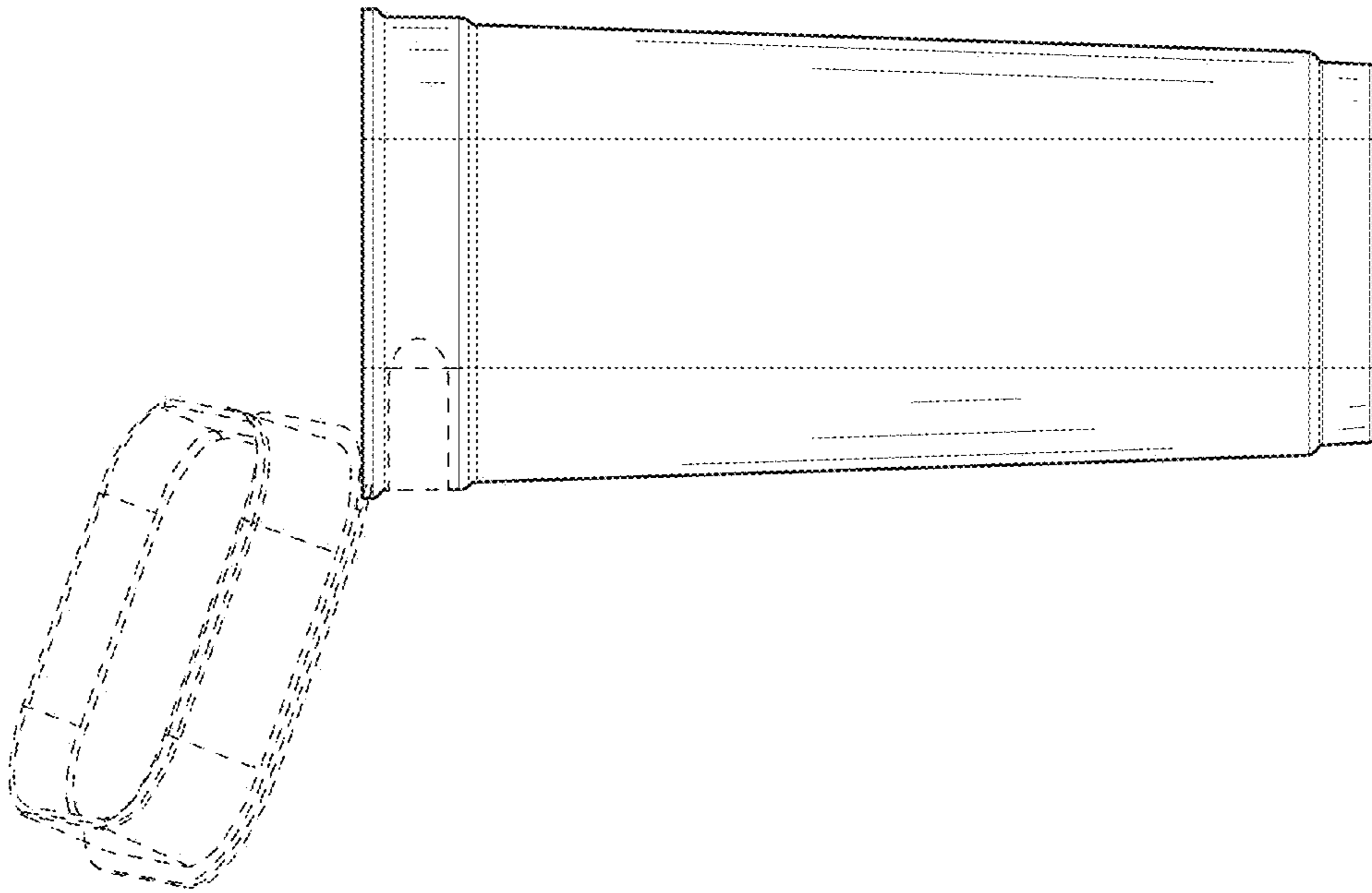


FIG. 58

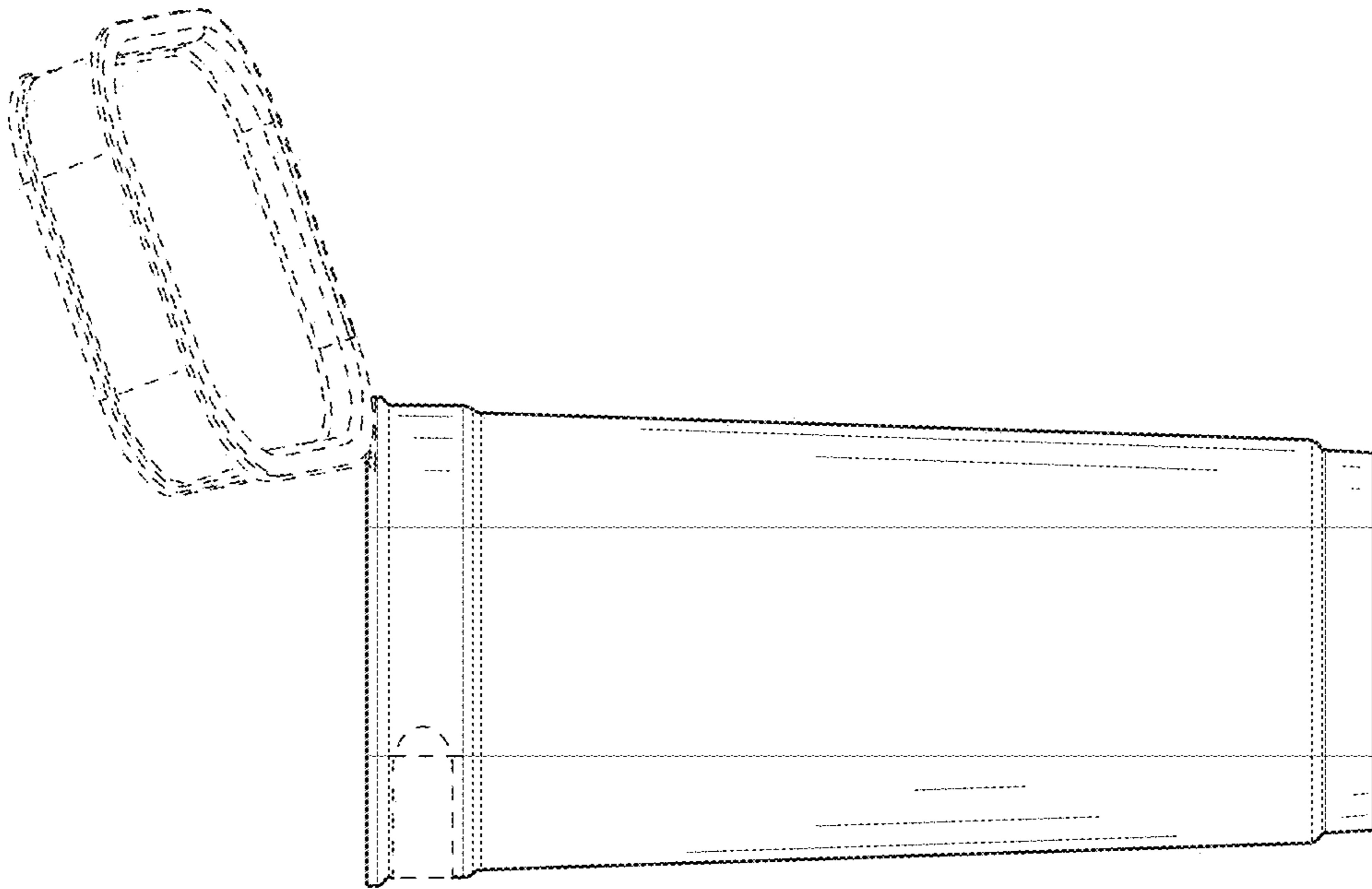


FIG. 59

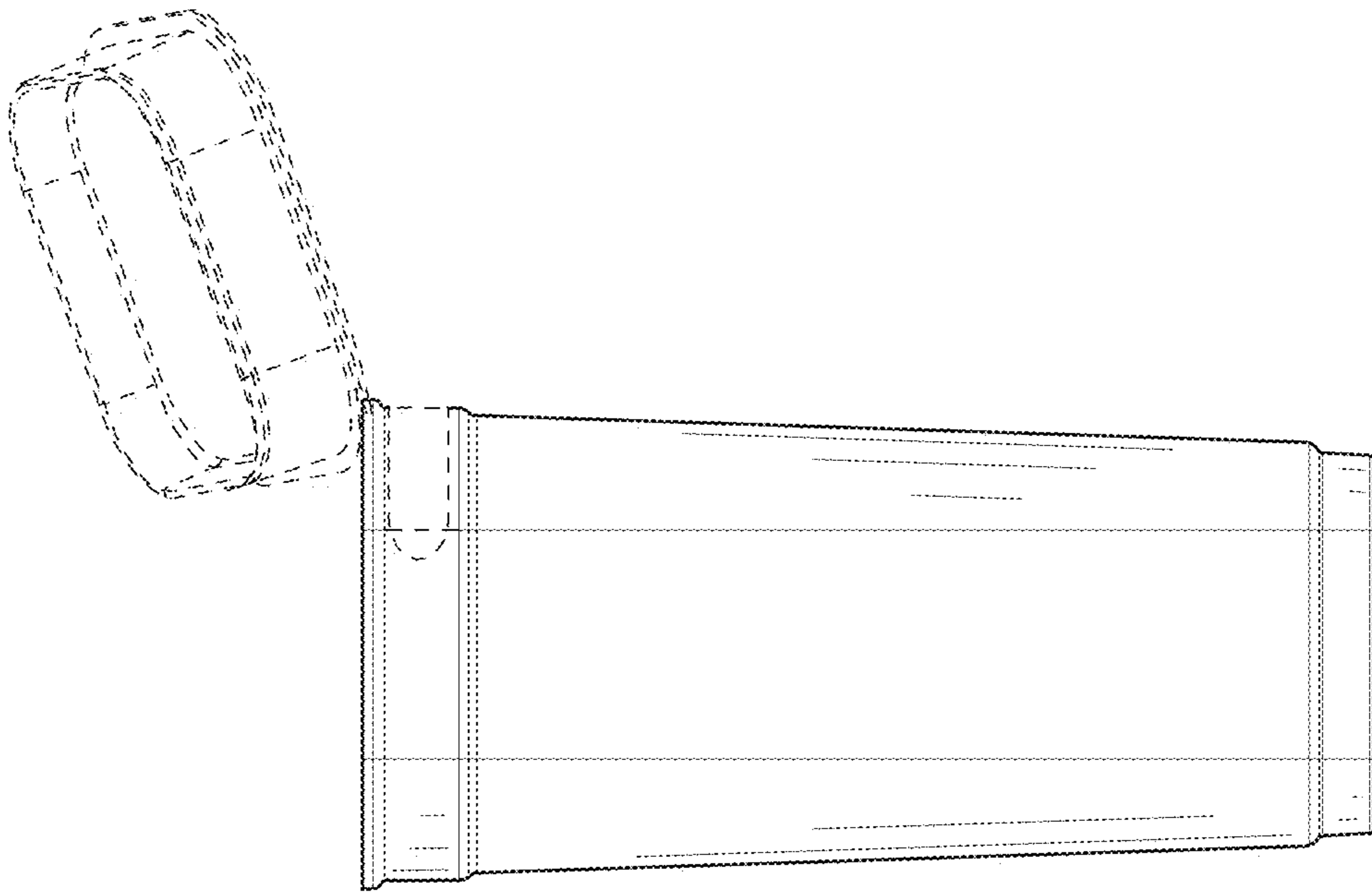


FIG. 60

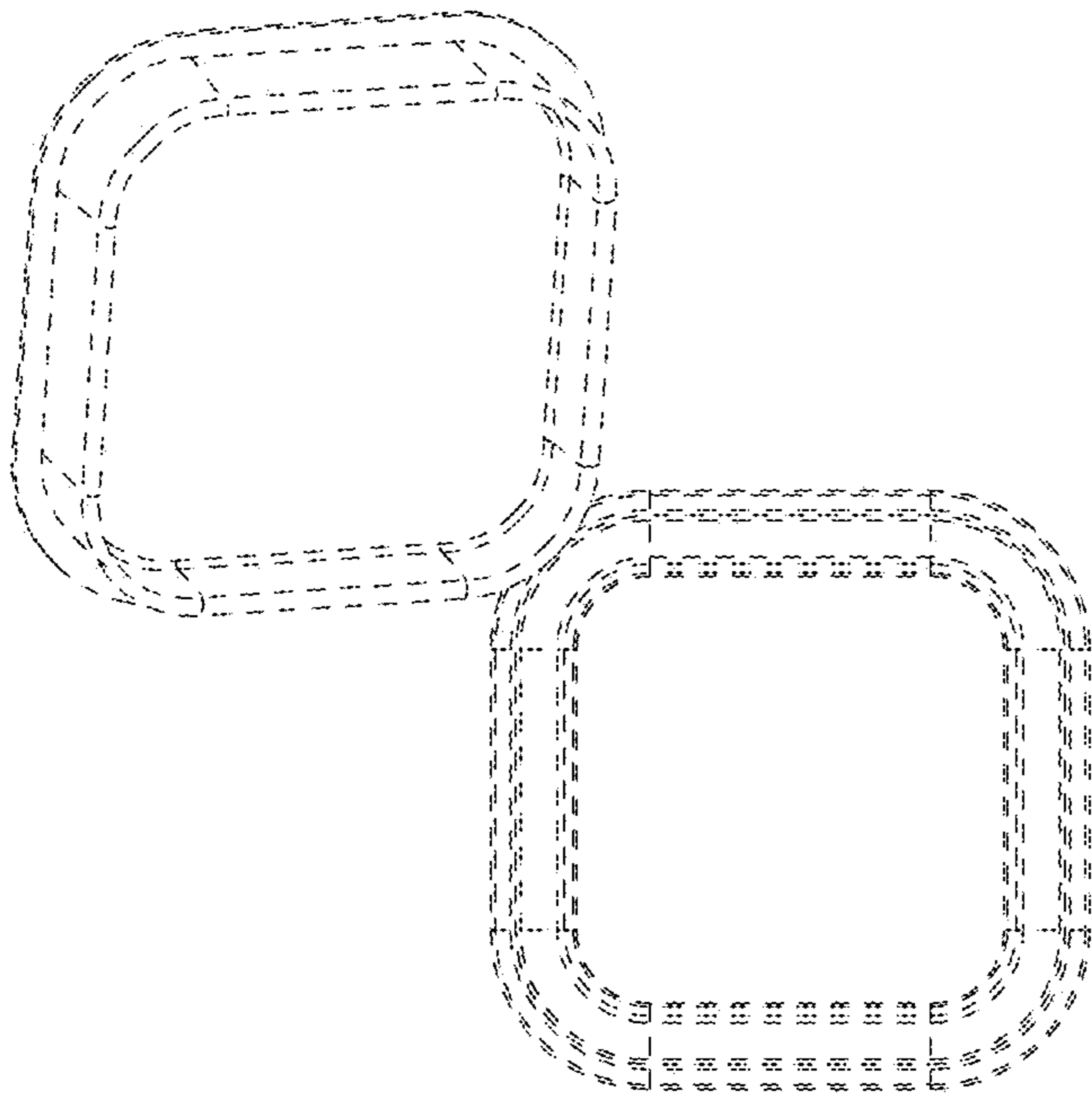
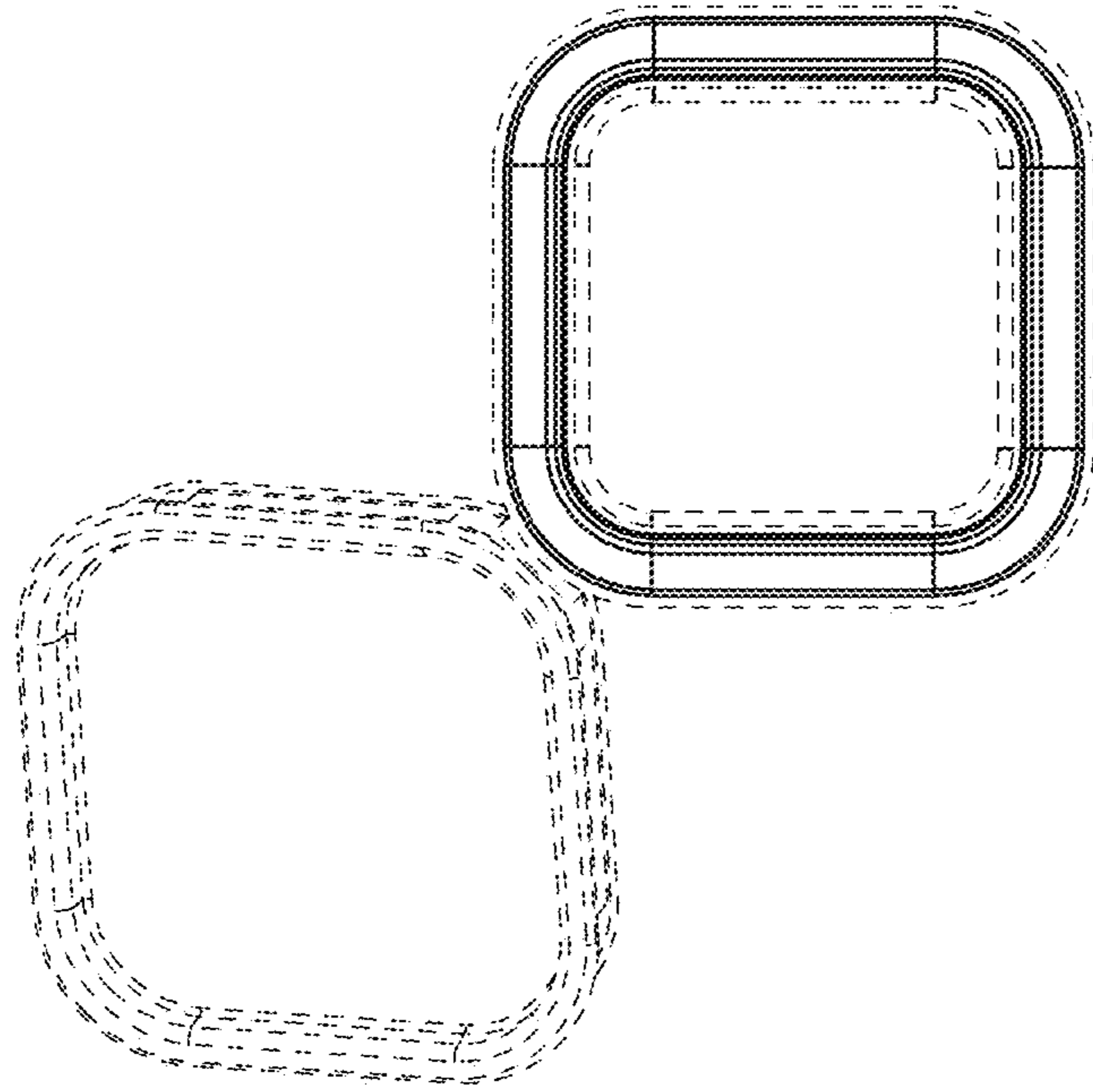


FIG. 61

FIG. 62

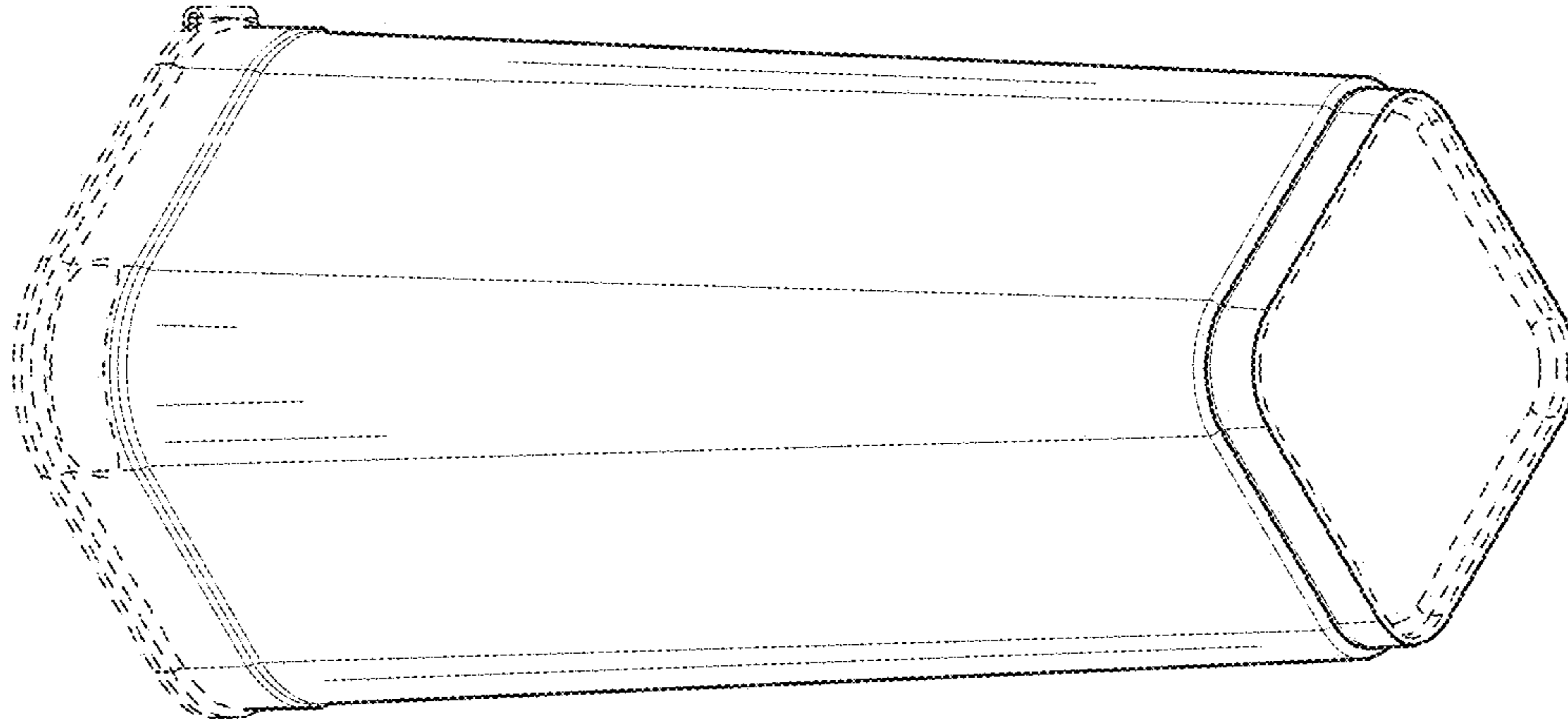


FIG. 64

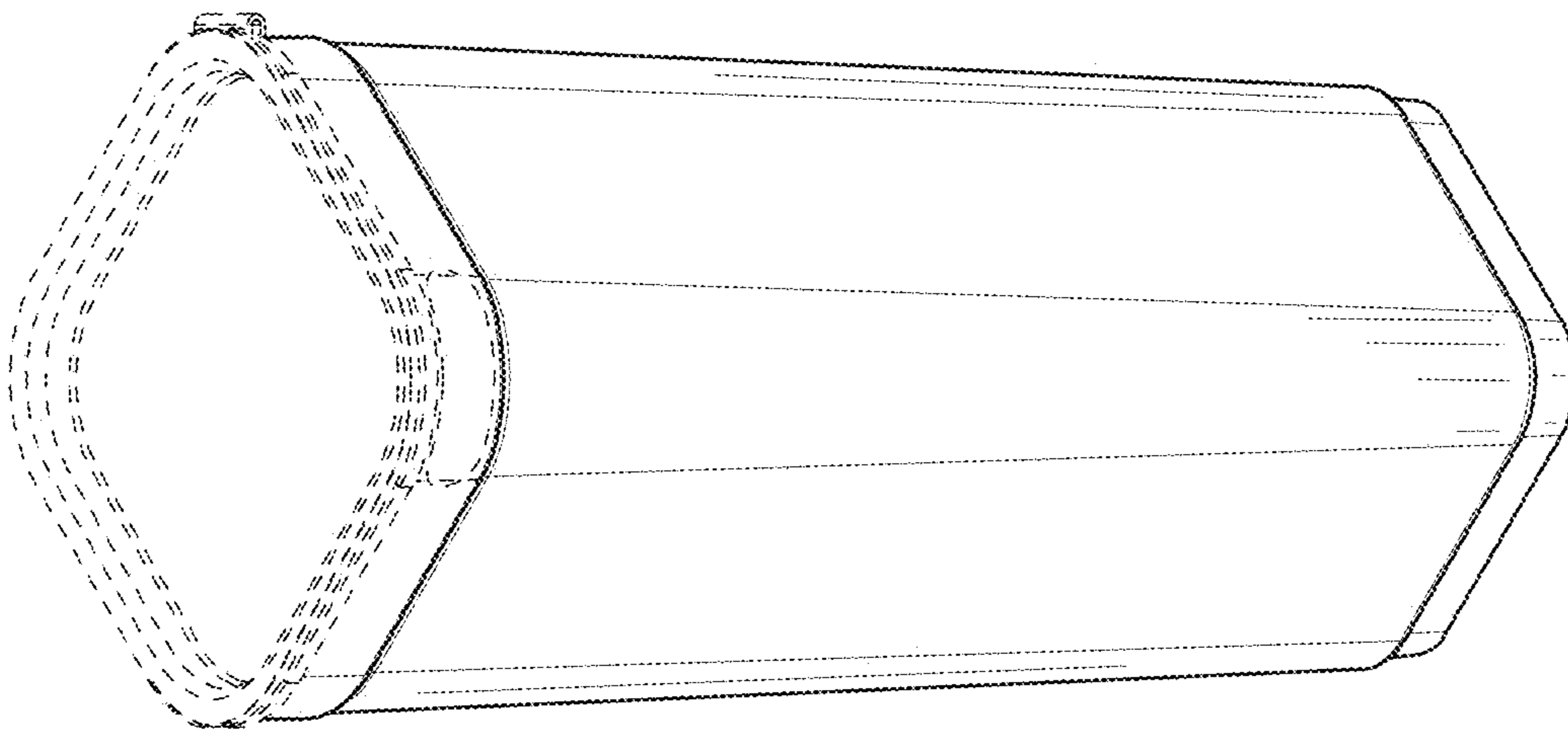


FIG. 63

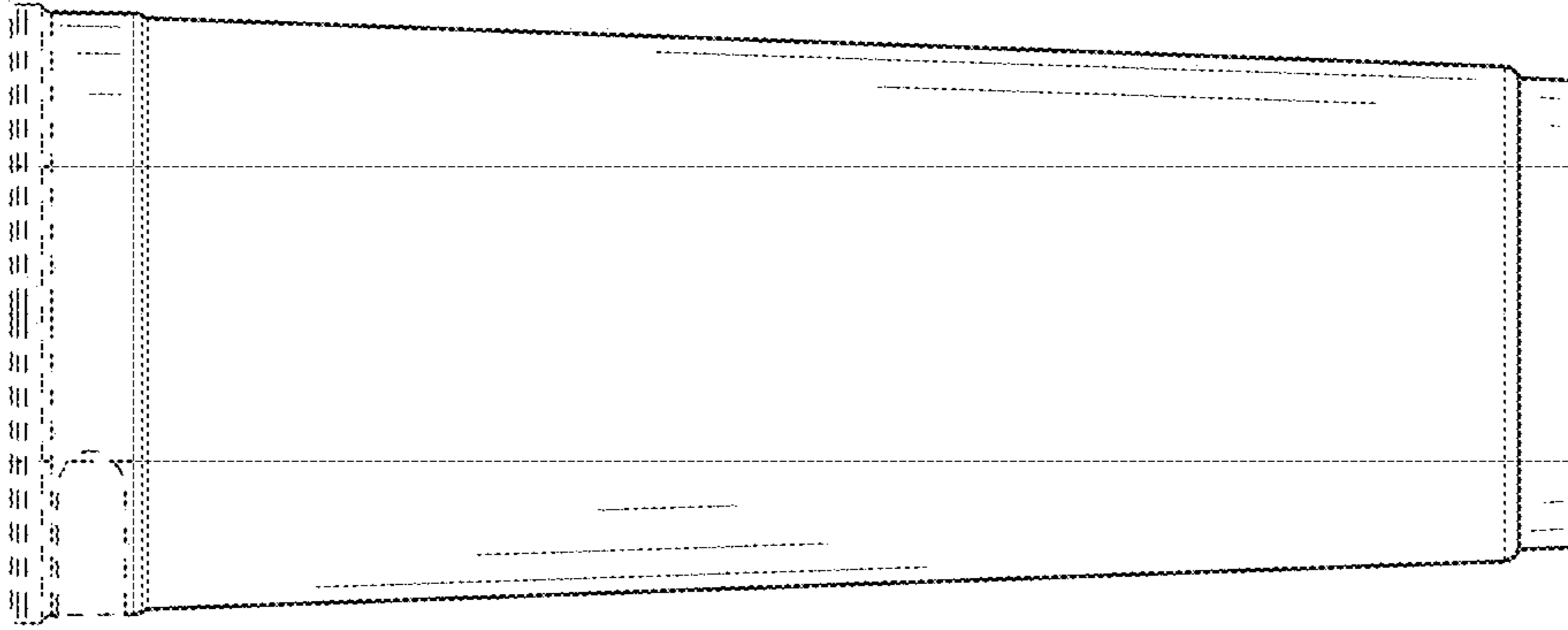


FIG. 65

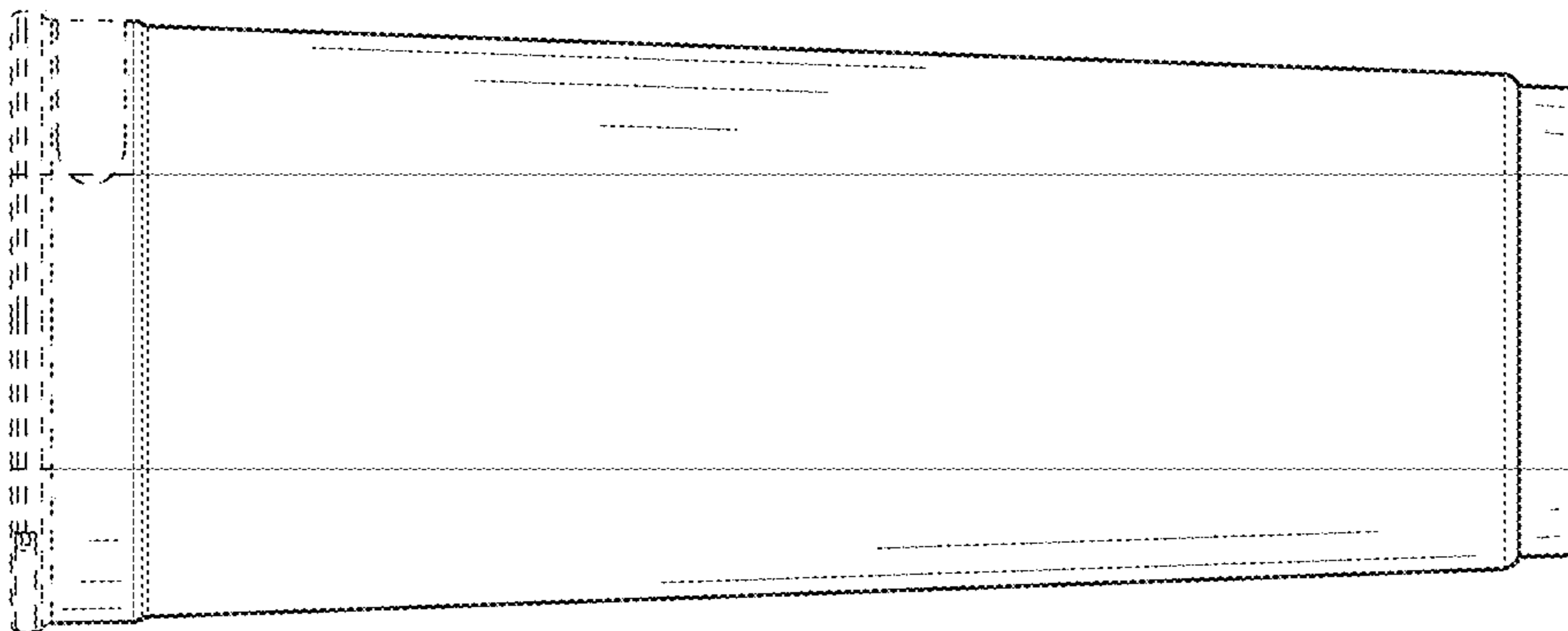


FIG. 66

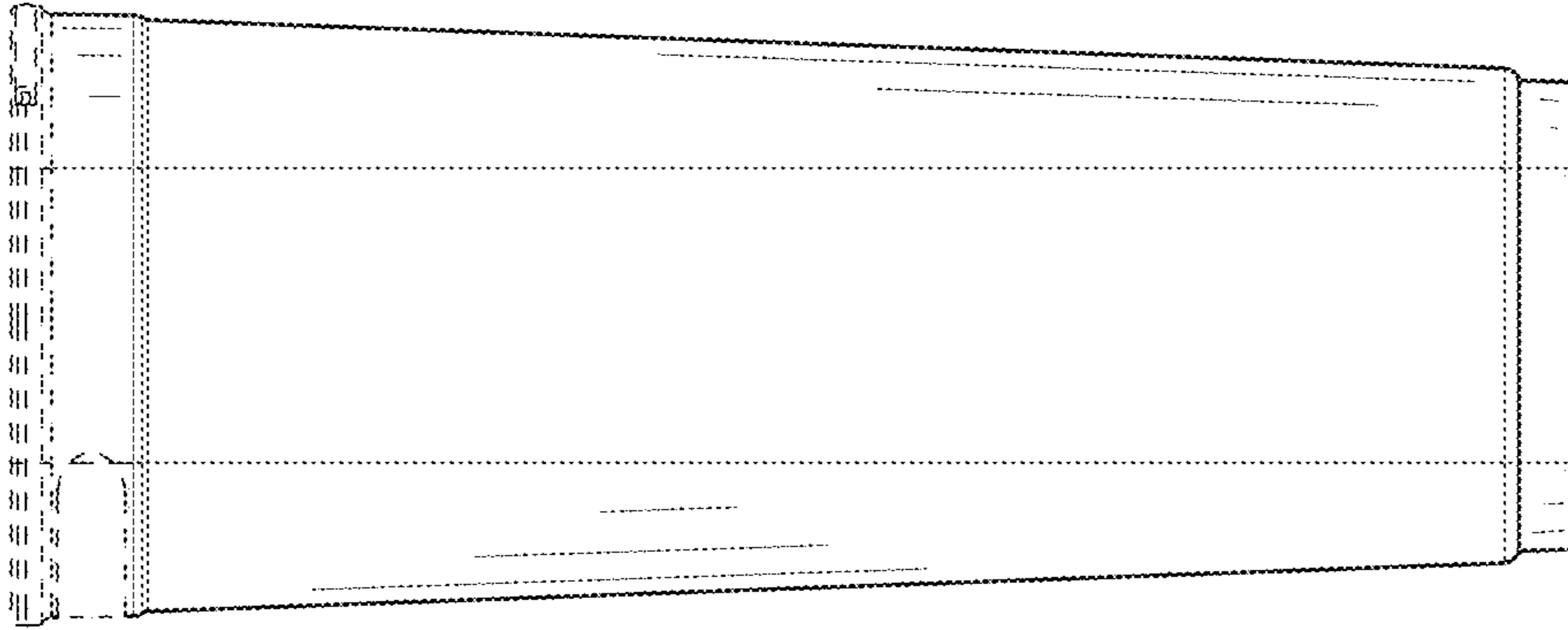


FIG. 68

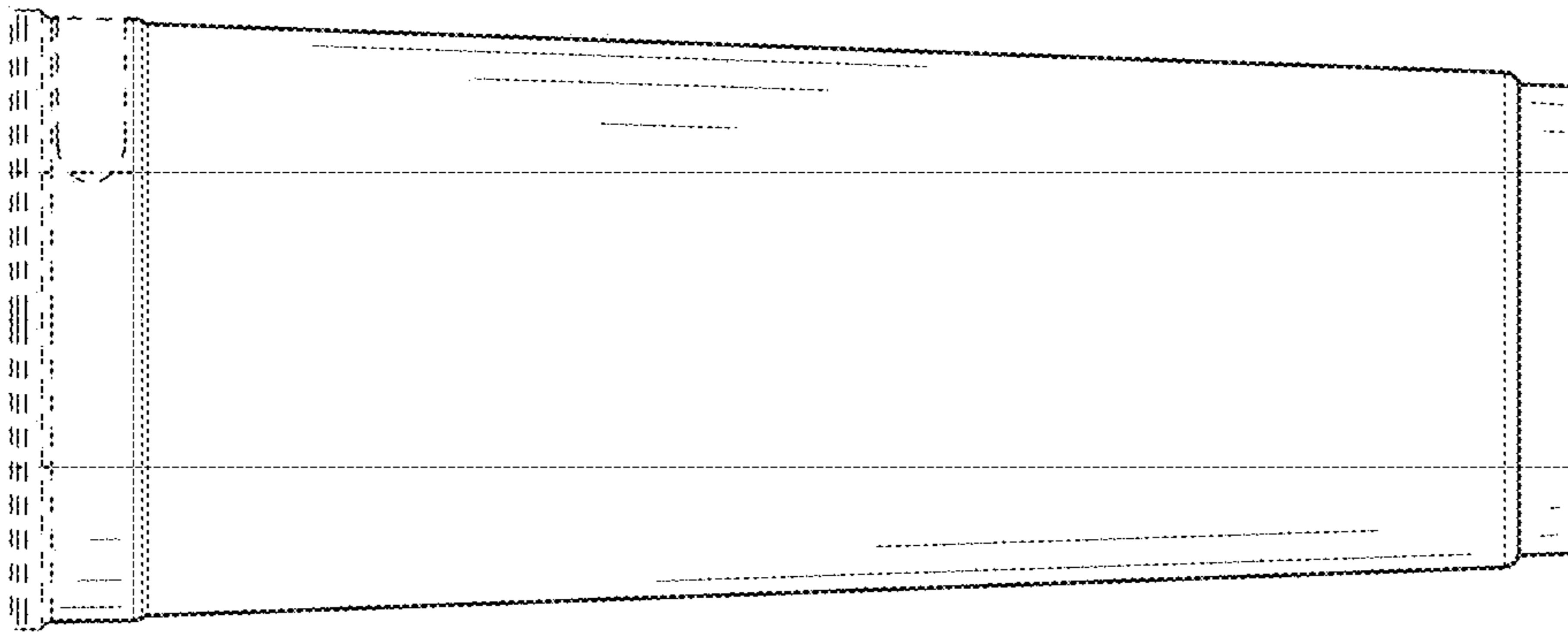


FIG. 67

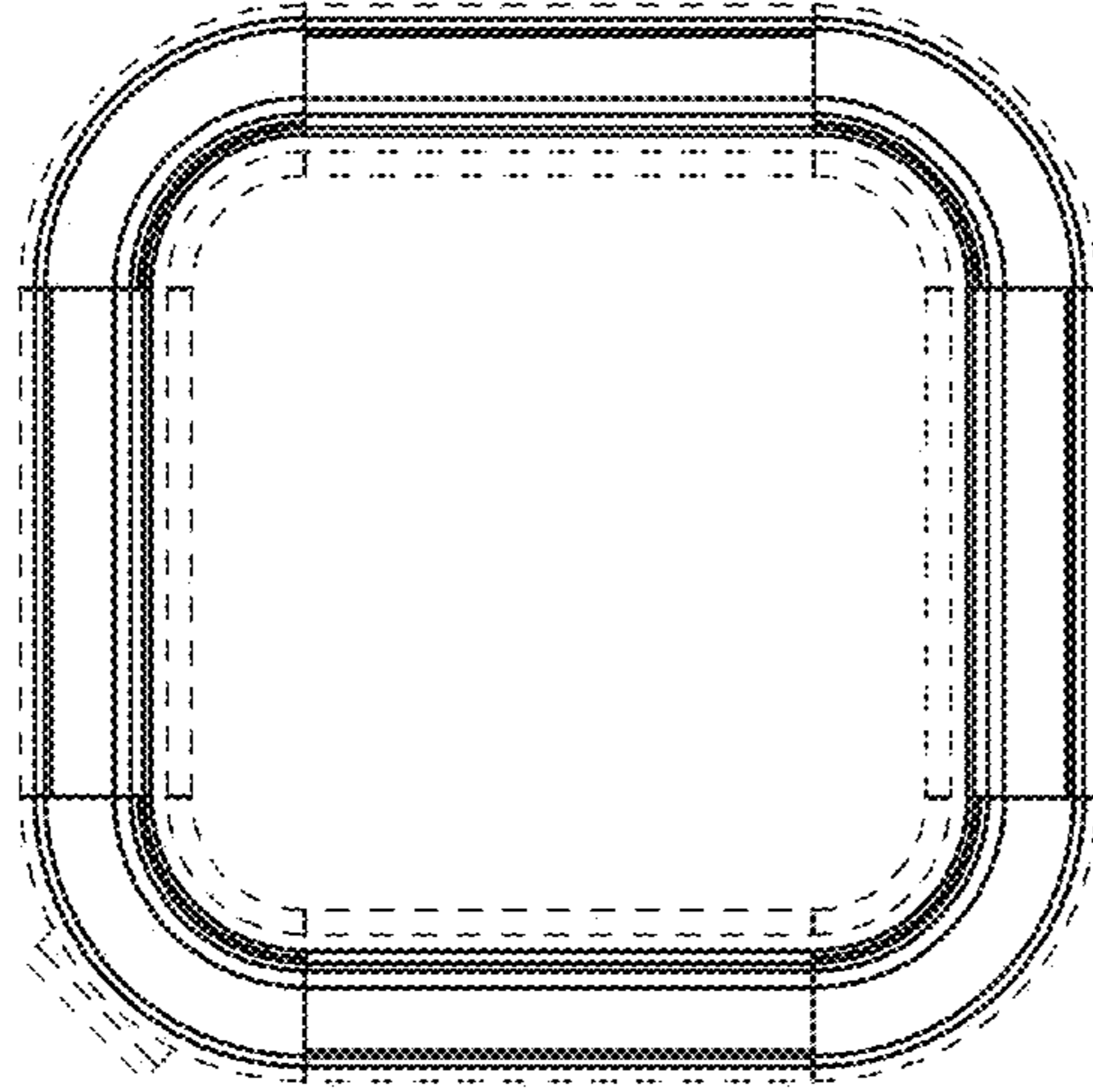


FIG. 70

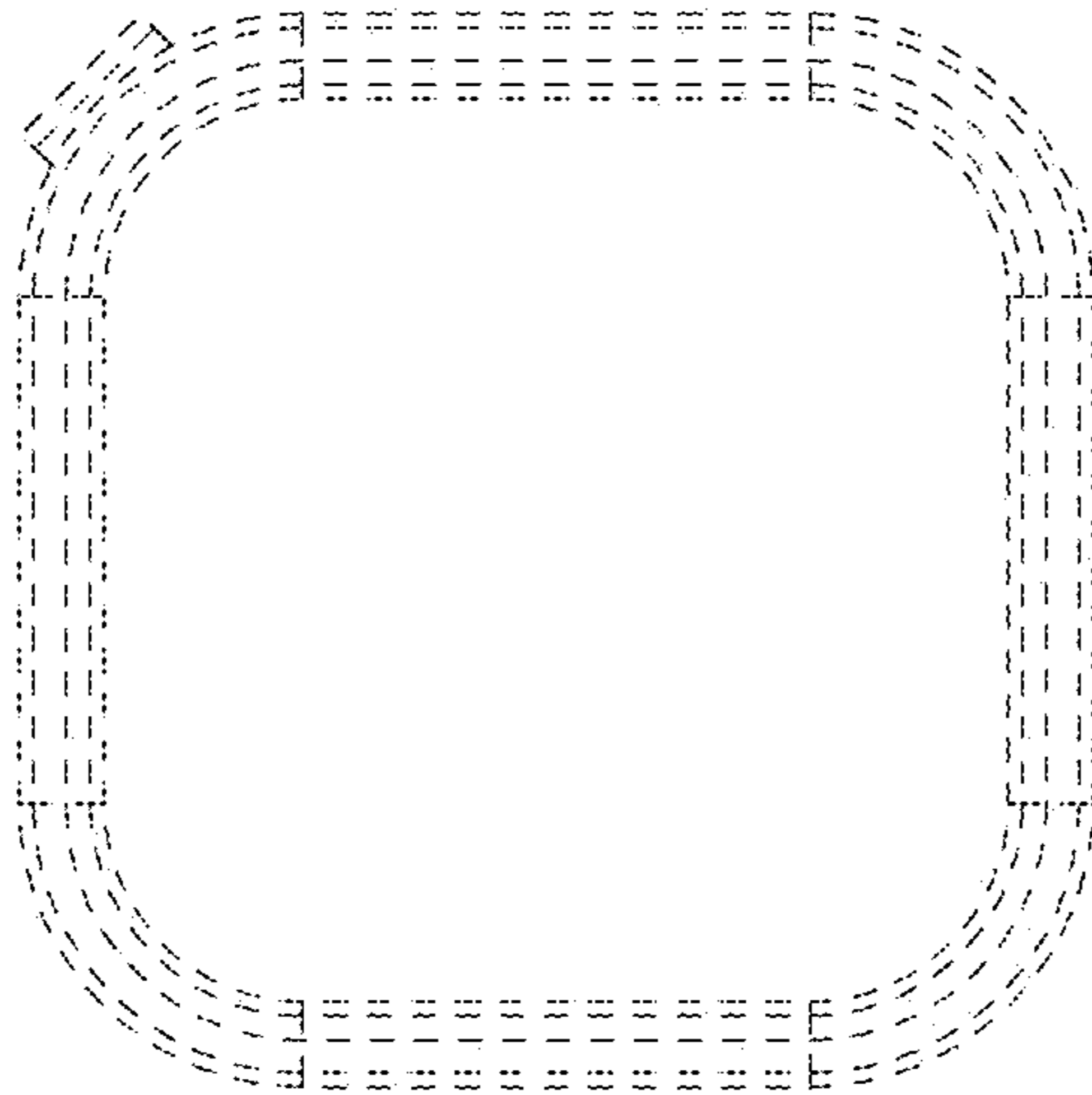


FIG. 69

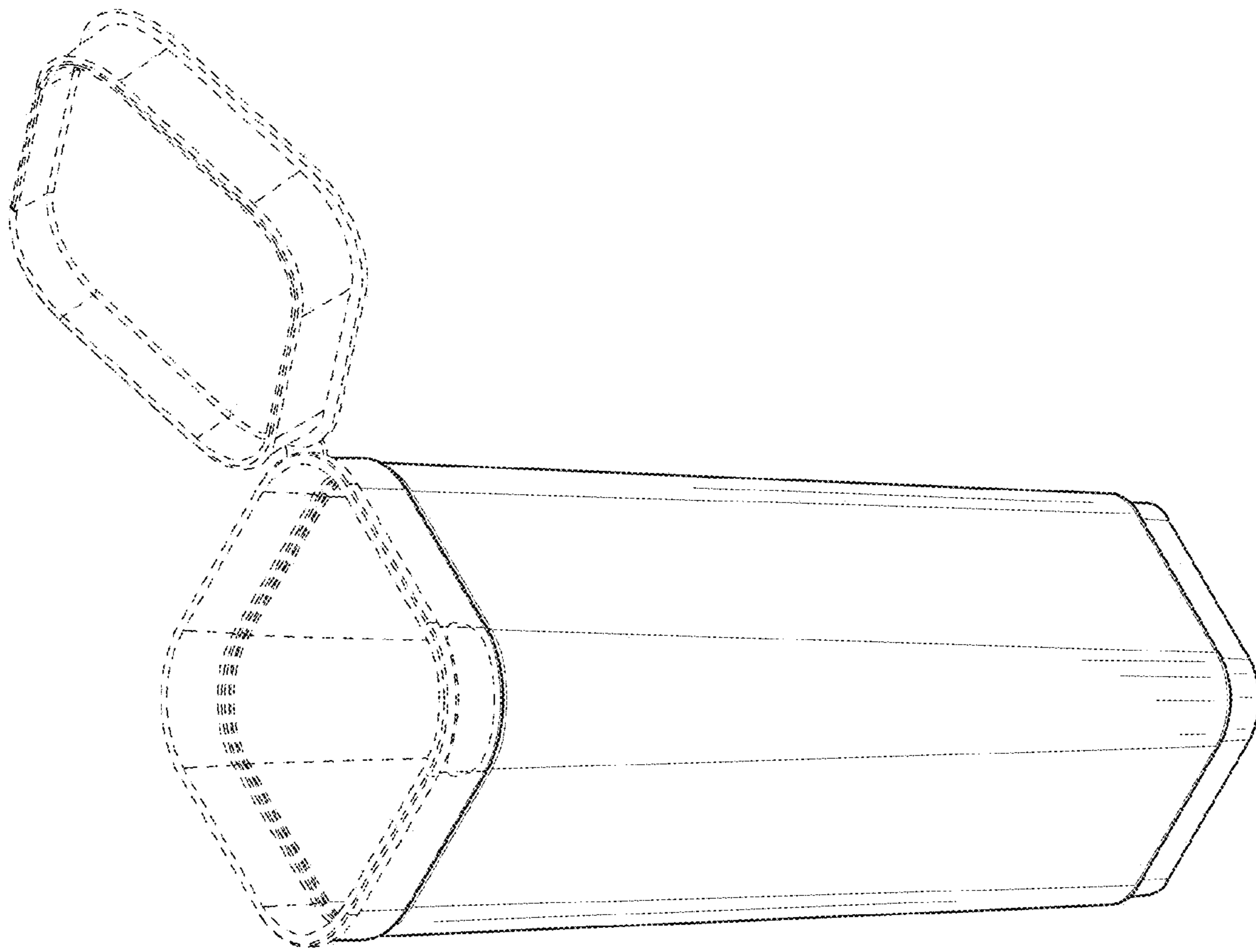


FIG. 71

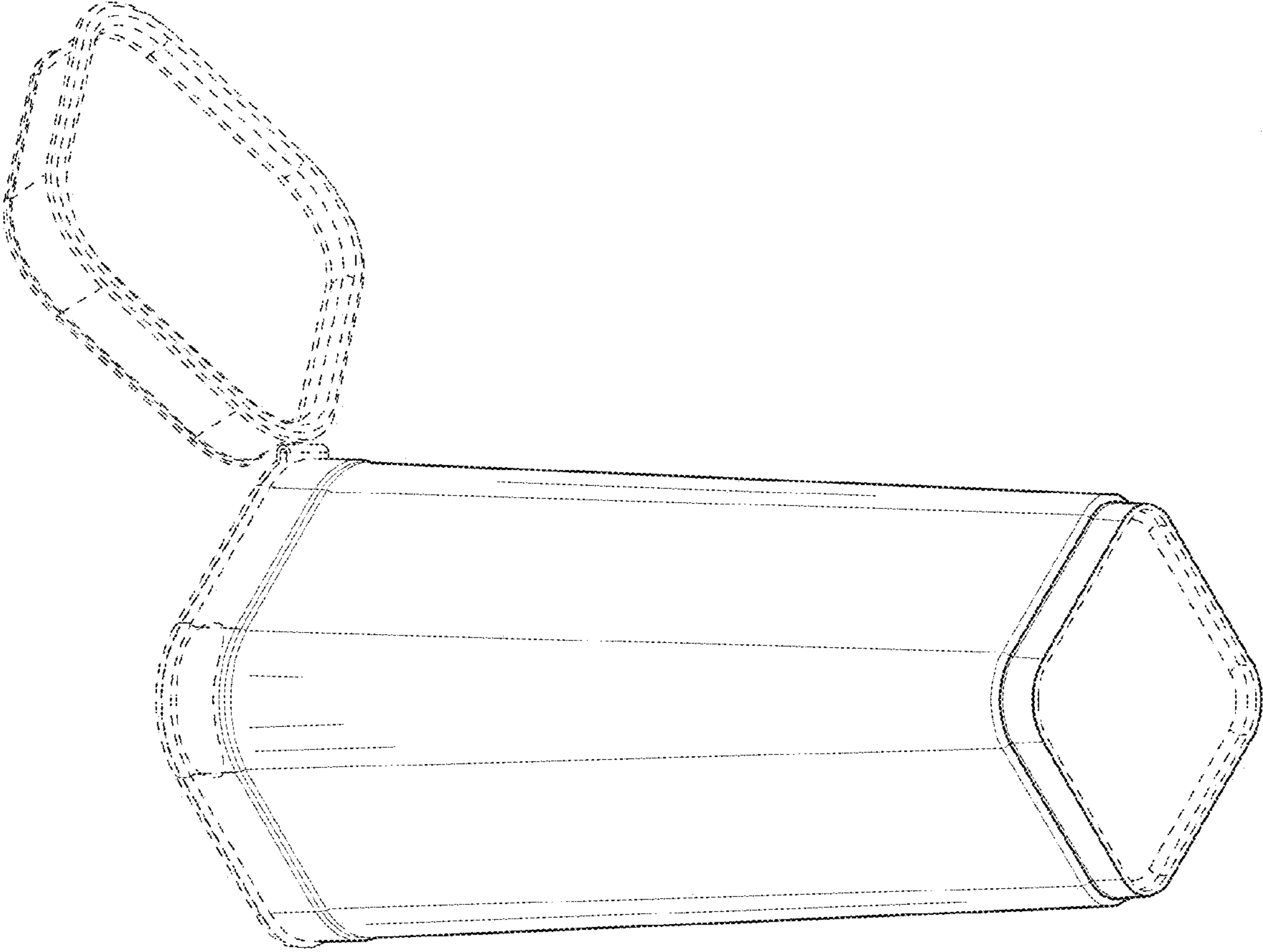


FIG. 72

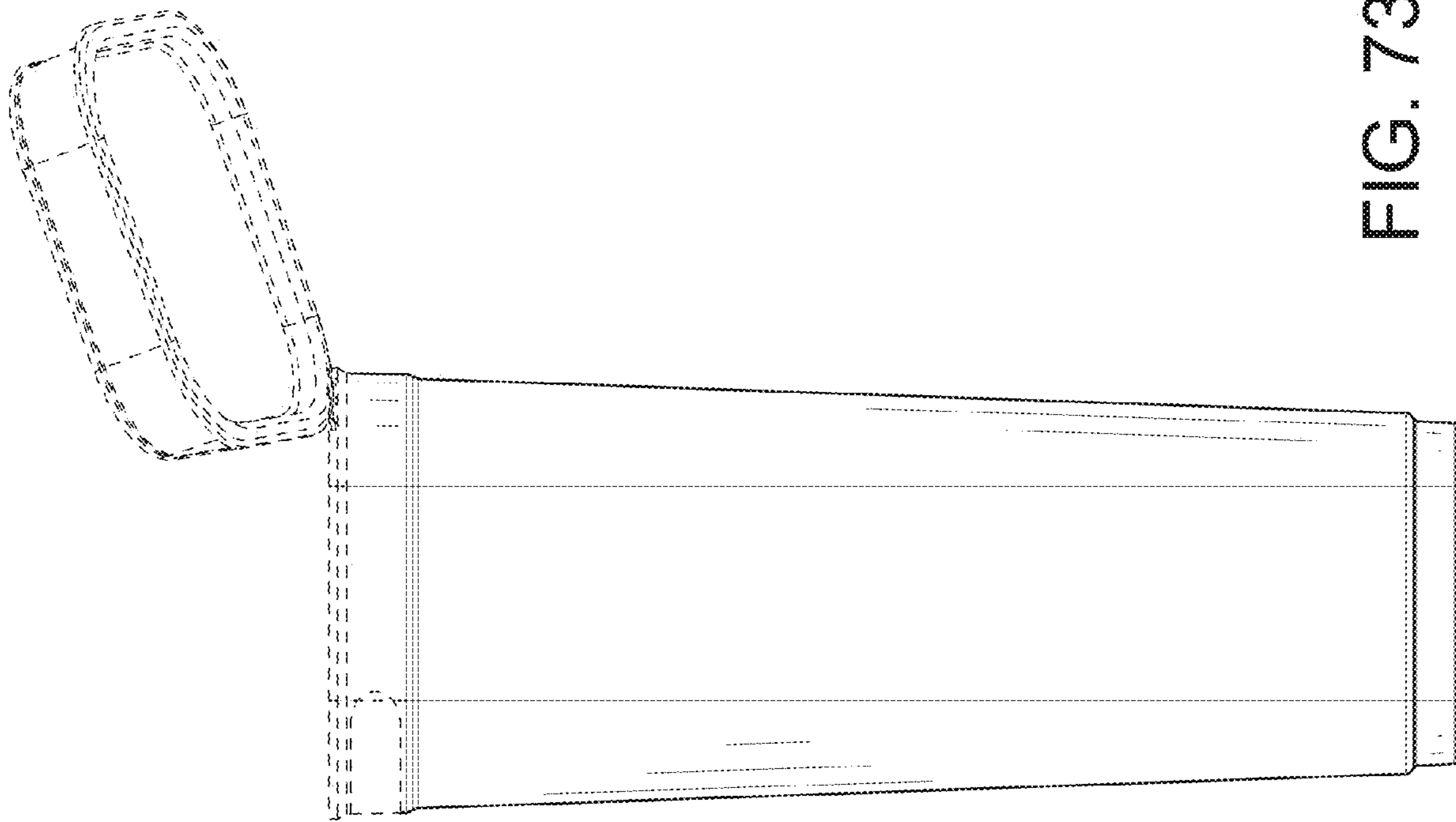


FIG. 73

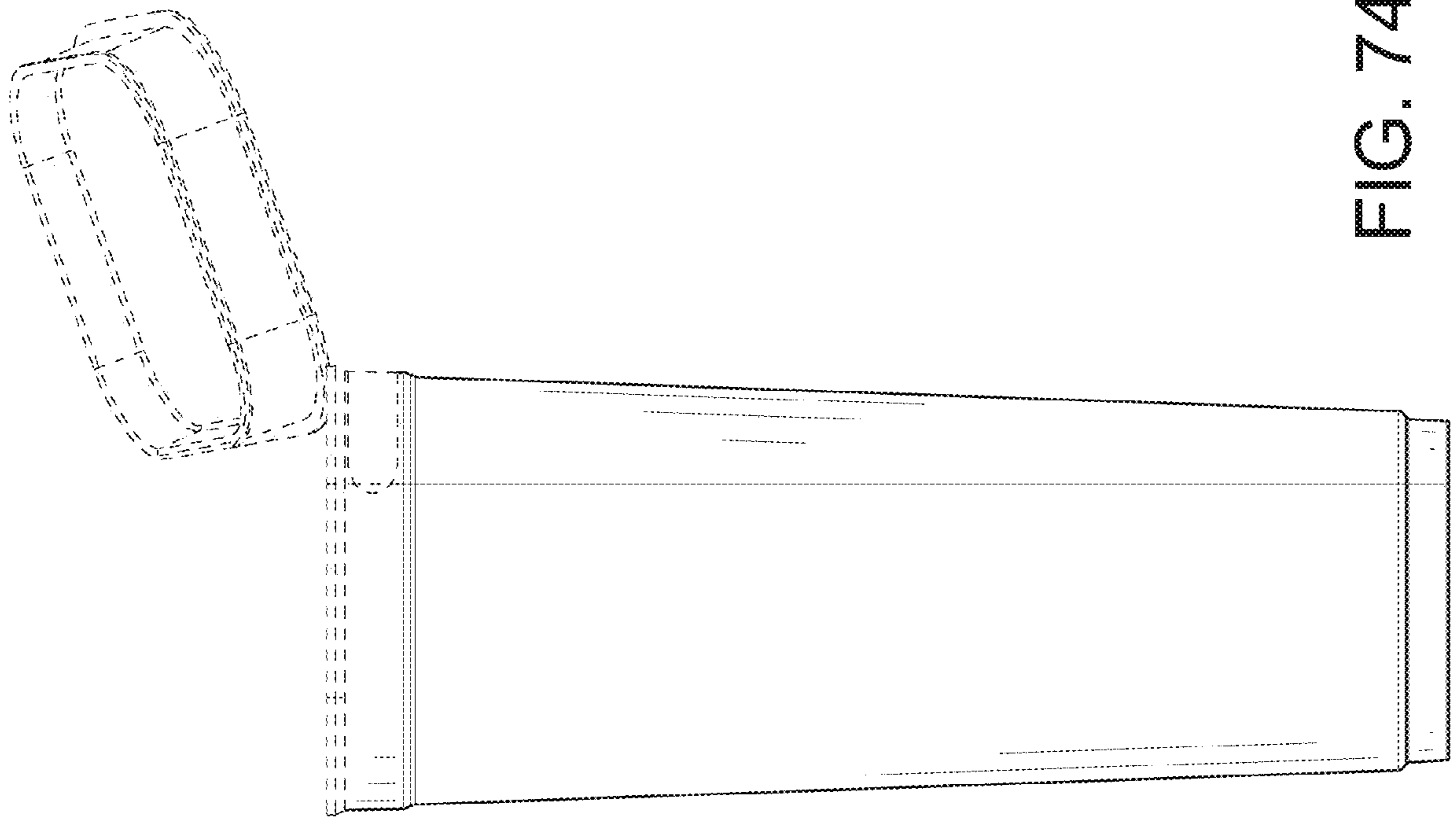


FIG. 74

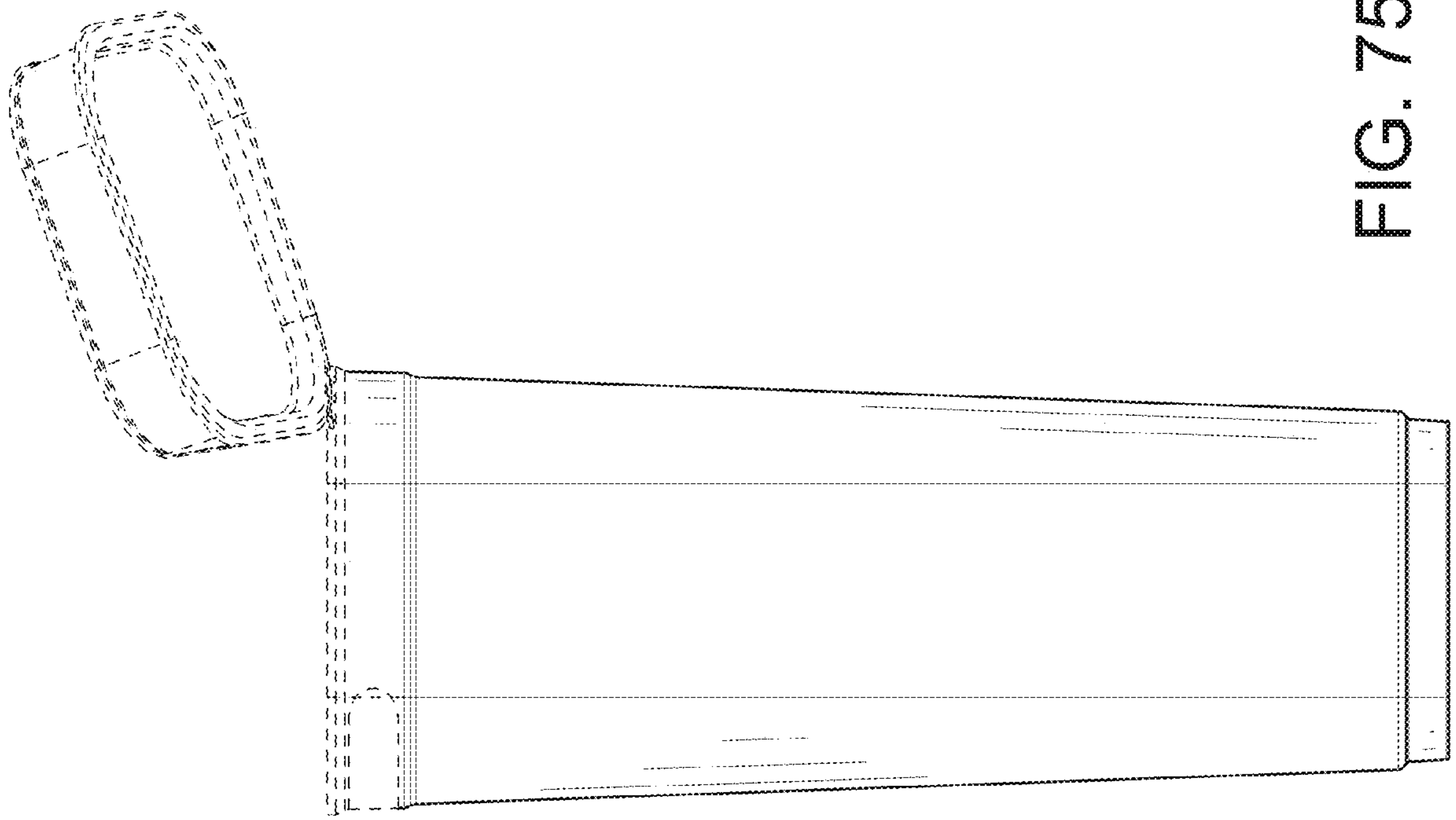


FIG. 75

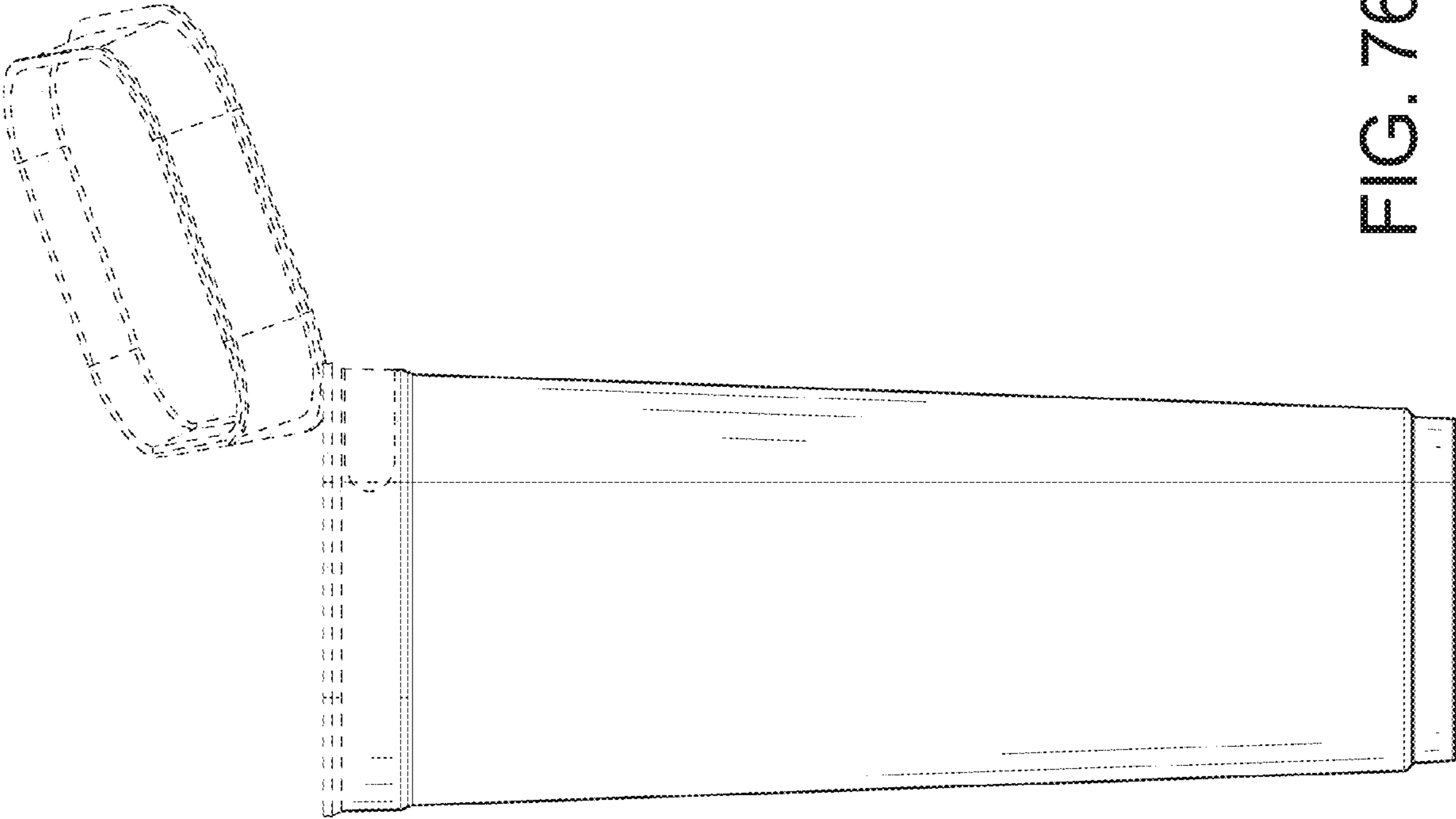


FIG. 76

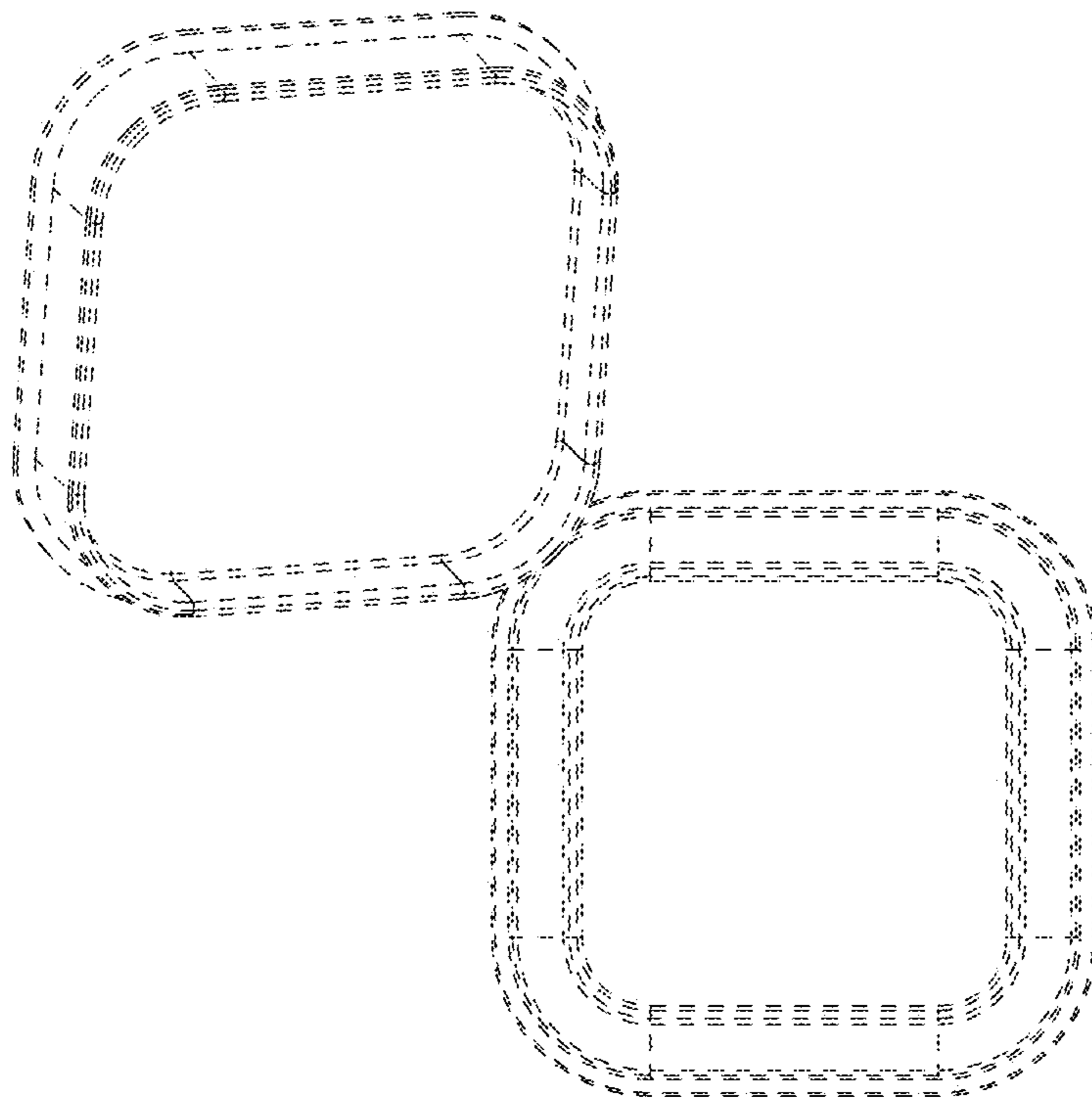
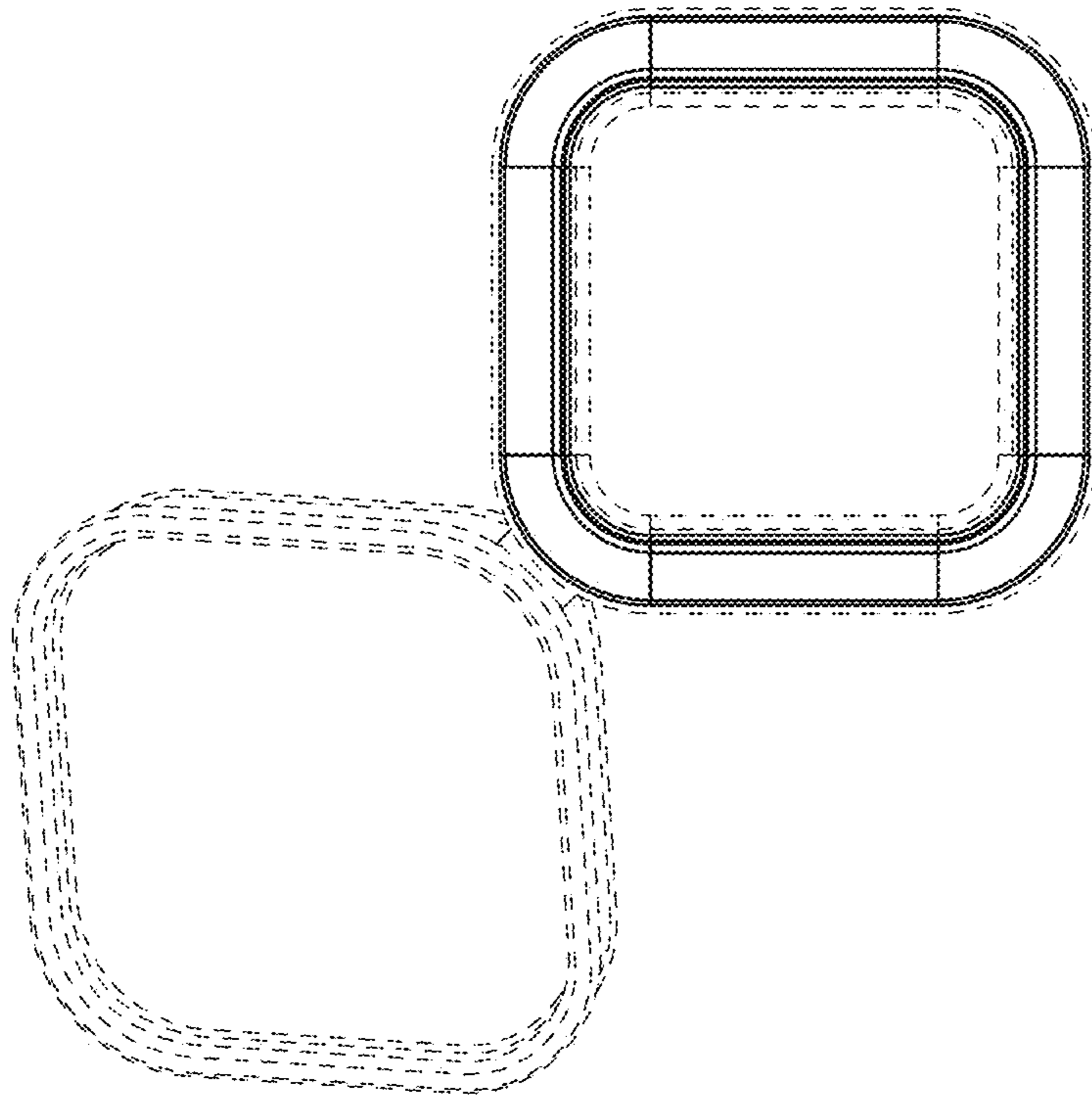


FIG. 77

FIG. 78