



US00D928620S

(12) **United States Design Patent**
Clarke et al.

(10) **Patent No.:** **US D928,620 S**
(45) **Date of Patent:** **** Aug. 24, 2021**

- (54) **BOTTLE**
- (71) Applicant: **Conopco Inc.**, Englewood Cliffs, NJ (US)
- (72) Inventors: **Peter Brian Clarke**, Fairfield, CT (US); **Luis Ramiro Gutierrez Montenegro**, Fairfield, CT (US); **Ricardo Felix Perez**, Fairfield, CT (US); **Trond Erik Tollefsen**, Fairfield, CT (US)
- (73) Assignee: **Conopco Inc.**, Englewood Cliffs, NJ (US)

D527,645 S * 9/2006 Pedmo B65D 1/0223 D9/542
 D529,390 S * 10/2006 Lalanne D9/575
 616,756 A1 * 6/2010 Schlies D9/542
 D634,208 S * 3/2011 Schlies D9/542
 D642,066 S * 7/2011 Kuzma D9/574
 653,116 A1 * 1/2012 McMahon D9/542
 D653,955 S * 2/2012 Labadie D9/542
 D672,245 S * 12/2012 Nukuto D9/521
 D672,248 S * 12/2012 Nukuto D9/542
 D672,249 S * 12/2012 Nukuto D9/542
 D690,601 S * 10/2013 Bryant D9/542
 D690,602 S * 10/2013 Bryant D9/542
 D697,415 S * 1/2014 Bryant D9/542
 D729,631 S * 5/2015 Kuzma D9/542

(Continued)

- (**) Term: **15 Years**
- (21) Appl. No.: **29/733,850**
- (22) Filed: **May 7, 2020**

FOREIGN PATENT DOCUMENTS

CN 304682107 * 6/2018

Primary Examiner — Brett Miller

Assistant Examiner — Rani J Abdallah

- (30) **Foreign Application Priority Data**
Nov. 14, 2019 (EP) 007232640-0001
- (51) **LOC (13) Cl.** **09-01**
- (52) **U.S. Cl.**
USPC **D9/542; D9/521**
- (58) **Field of Classification Search**
USPC D9/521, 522, 529, 530, 536, 542-545,
D9/549, 552, 558, 573-575, 454, 504,
D9/563; D3/202
CPC .. A45D 34/041; B65D 1/0223; B65D 23/102;
B65D 2501/0081
See application file for complete search history.

(74) *Attorney, Agent, or Firm* — NV Nederlandsch Octrooibureau; Catherine A. Shultz; Tamara Stegmann

(57) **CLAIM**

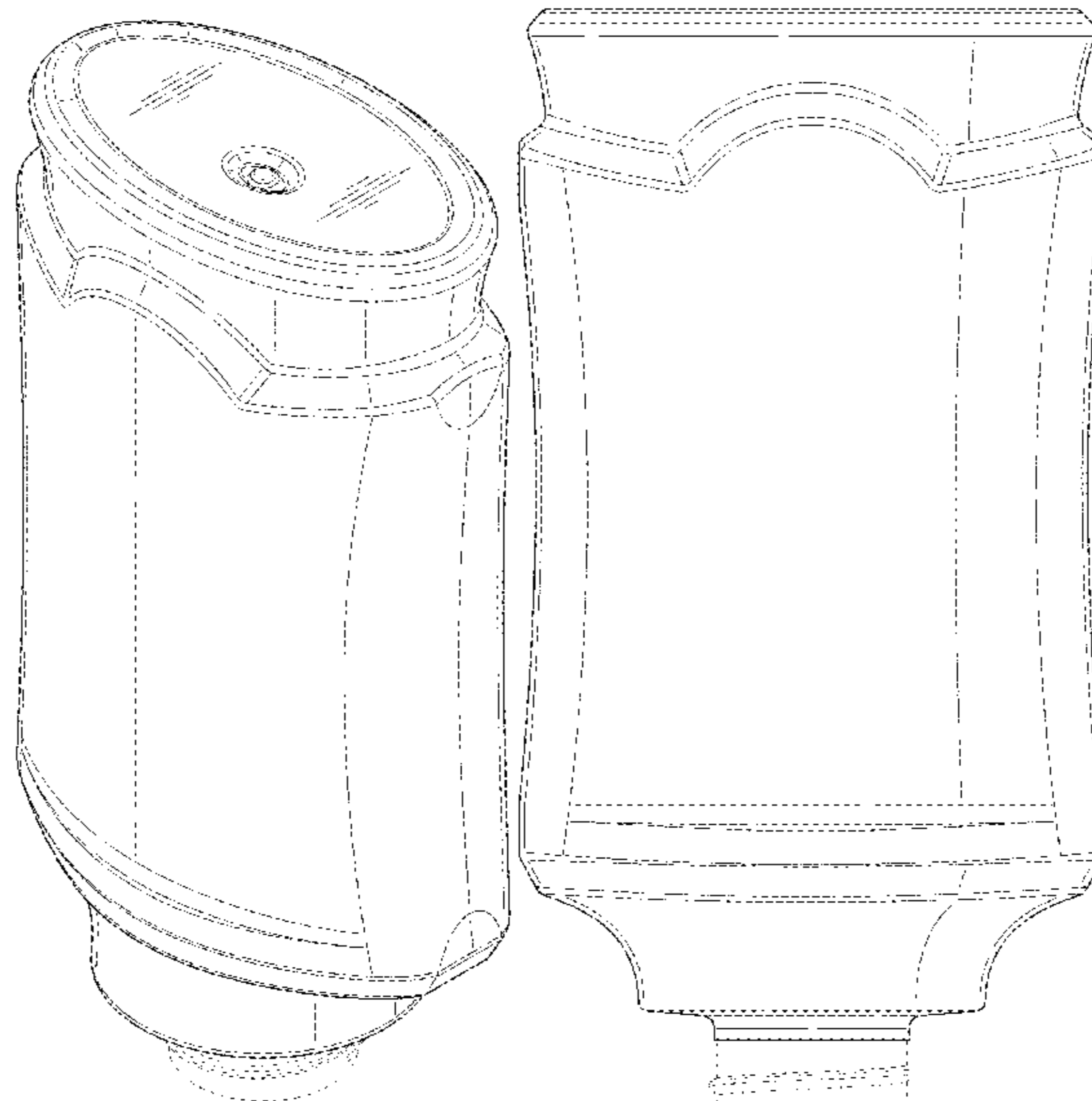
The ornamental design for a bottle, as shown and described.

DESCRIPTION

FIG. 1 is a front perspective view from the top and right side of a bottle showing our new design;
 FIG. 2 is a an elevational view of the front side thereof,
 FIG. 3 is a an elevational view of the back side thereof,
 FIG. 4 is an elevational view of the left side thereof;
 FIG. 5 is an elevational view of the right side thereof;
 FIG. 6 is a top plan view thereof; and,
 FIG. 7 is a bottom plan view thereof.
 All broken lines are directed to environment and are for illustrative purposes only; the broken lines form no part of the claimed design.

- (56) **References Cited**
U.S. PATENT DOCUMENTS
D480,308 S * 10/2003 Grisdale D9/521
D498,680 S * 11/2004 Cleary D9/542
D511,970 S * 11/2005 Cleary D9/542
513,190 A1 * 12/2005 Busa, Jr. D9/558

1 Claim, 5 Drawing Sheets



(56)

References Cited

U.S. PATENT DOCUMENTS

D742,748	S	*	11/2015	Kuzma	D9/542
D744,348	S	*	12/2015	Beauchamp	D9/542
D792,780	S	*	7/2017	Jost	D9/558
D807,186	S	*	1/2018	Beauchamp	D9/542
D808,275	S	*	1/2018	Maier	D9/542
D812,482	S	*	3/2018	Young	D9/542
D814,935	S	*	4/2018	Ungrady	D9/542
D821,208	S	*	6/2018	Cannamela	D9/521
D821,878	S	*	7/2018	Cannamela	D9/521
D826,723	S	*	8/2018	Rhodes	D9/558
D828,172	S	*	9/2018	Bos	D9/542
D856,806	S	*	8/2019	Maier	D9/542
D864,723	S	*	10/2019	Banerjee	D9/542
D883,788	S	*	5/2020	Kuhn	D9/521
D883,796	S	*	5/2020	Kuzma	D9/542
D908,012	S	*	1/2021	Stadelmaier	D9/542
D908,013	S	*	1/2021	Rohling	D9/542
D909,878	S	*	2/2021	Van Den Berg	D9/574

* cited by examiner

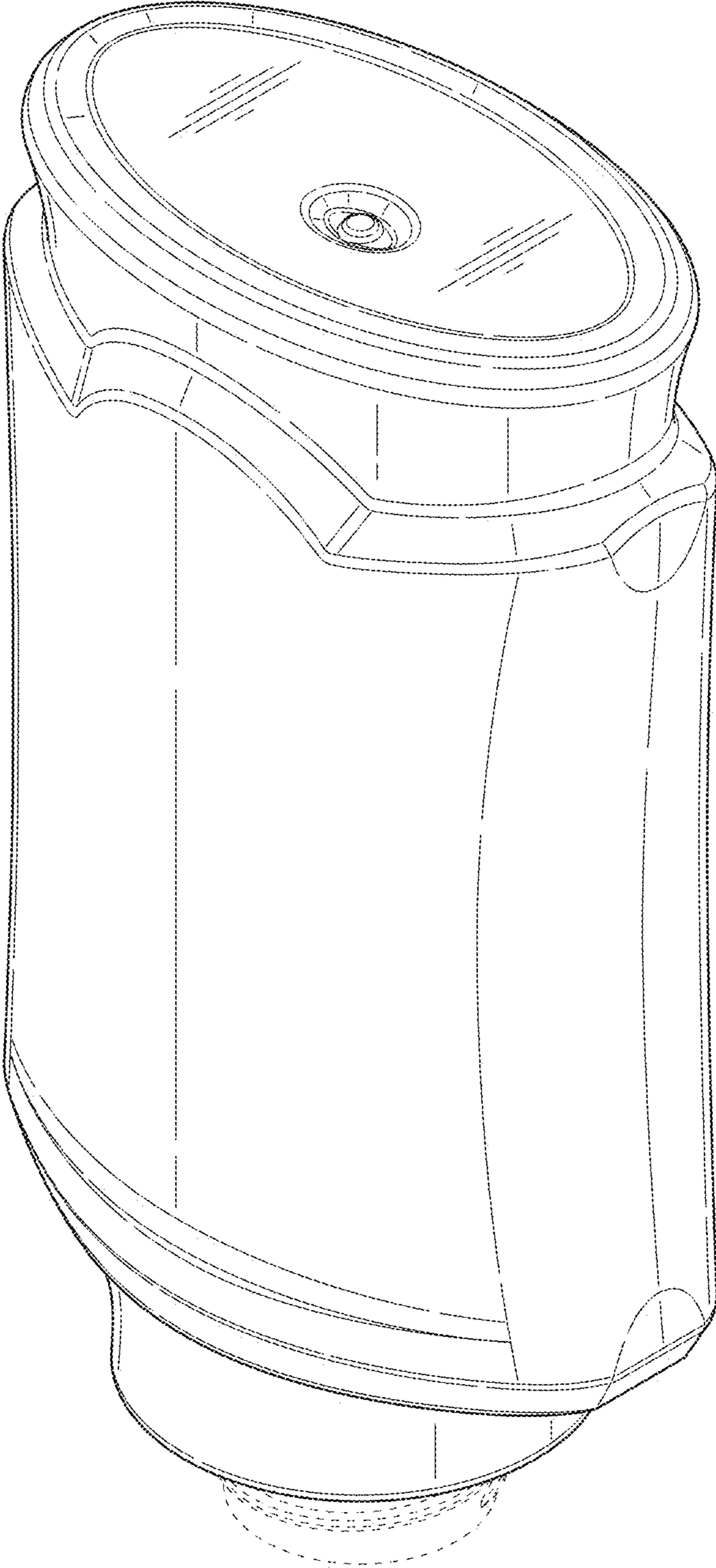


Fig. 1

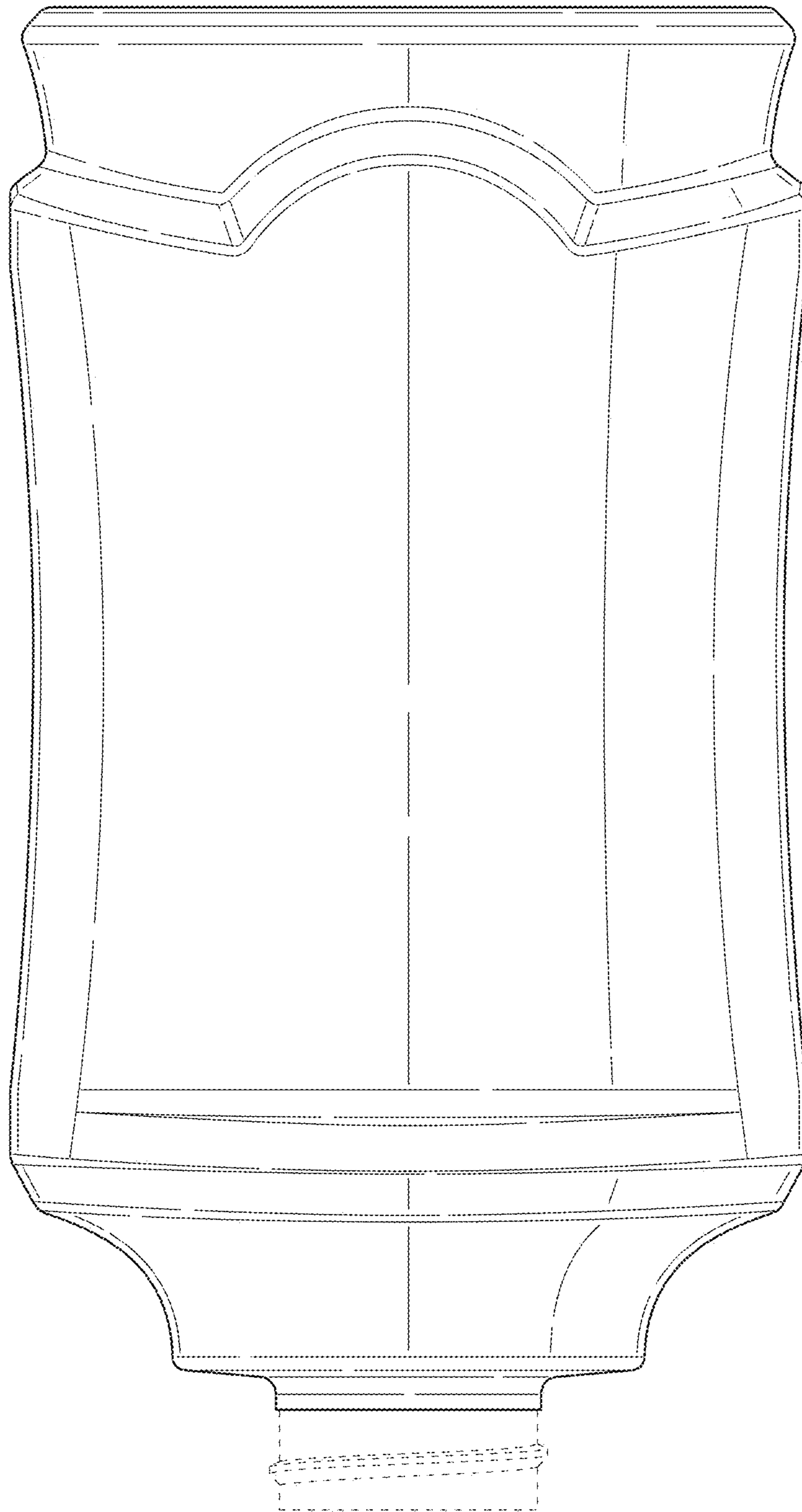


Fig. 2

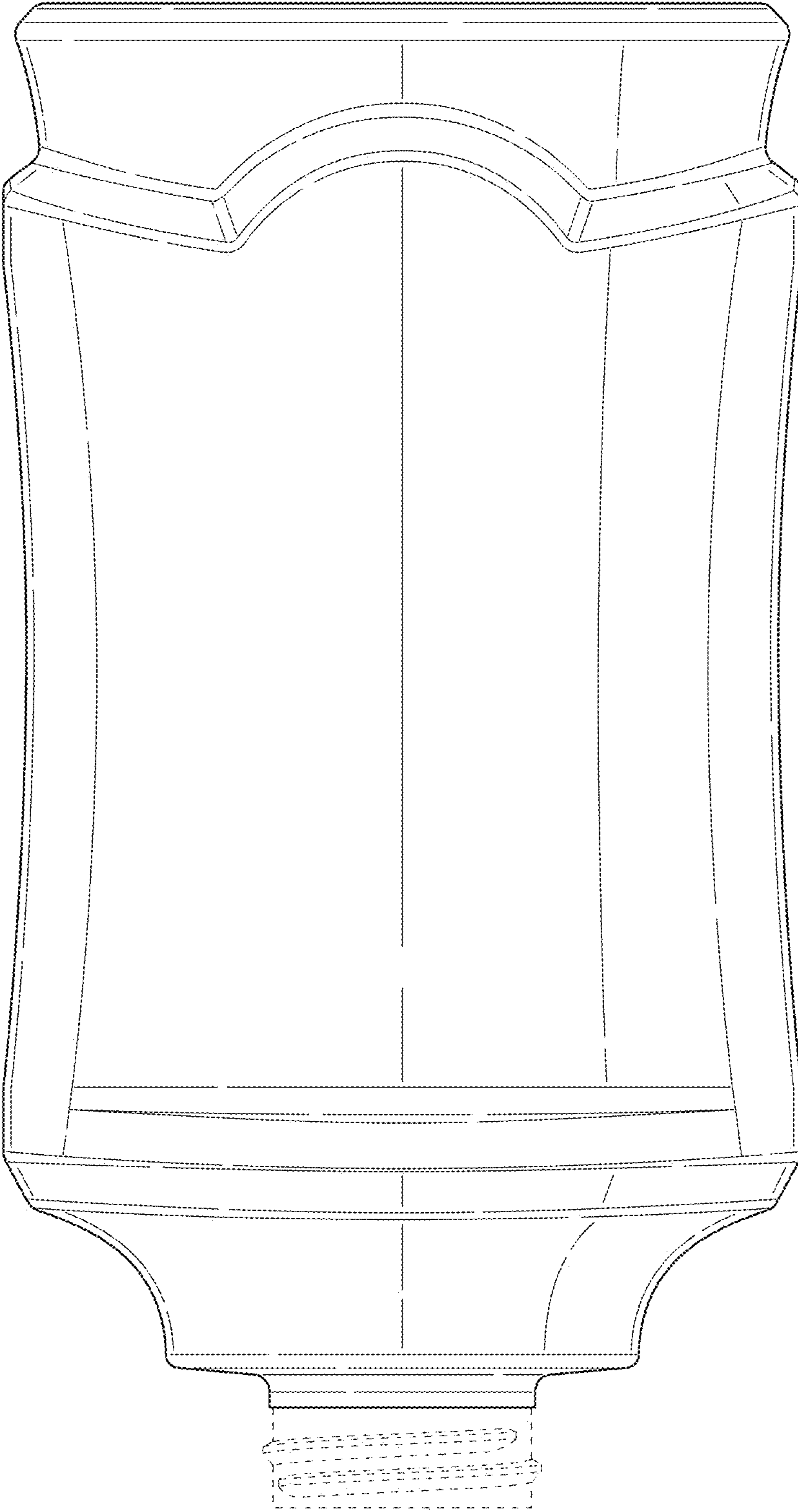


Fig. 3

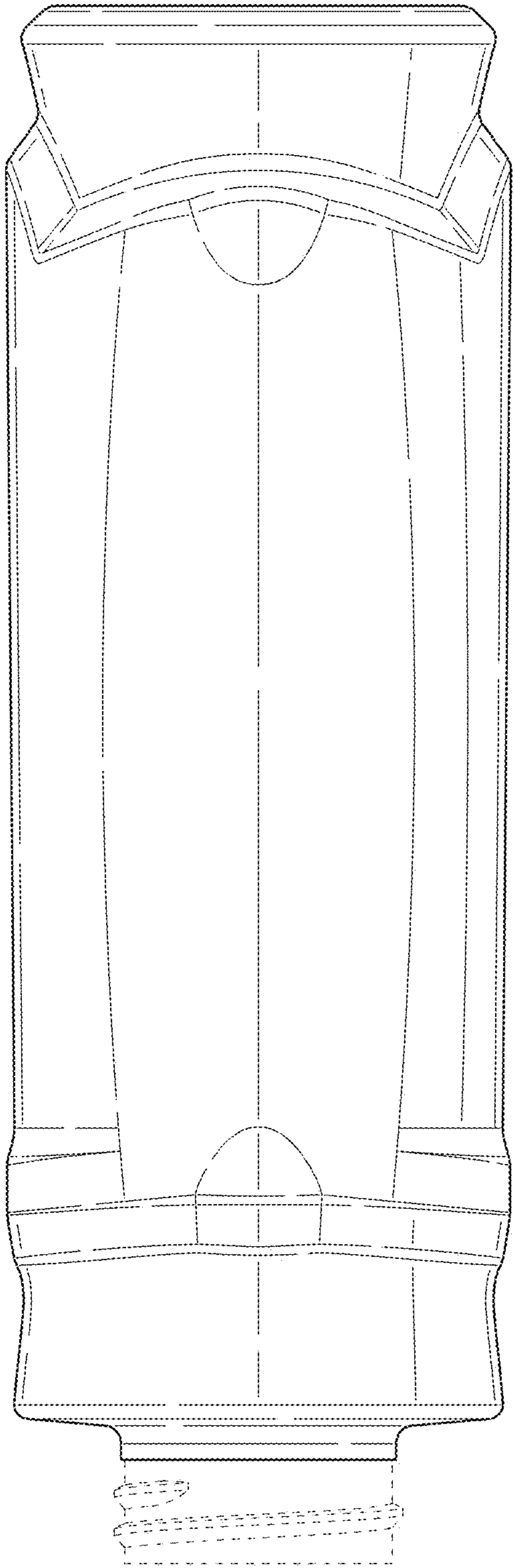


Fig. 4

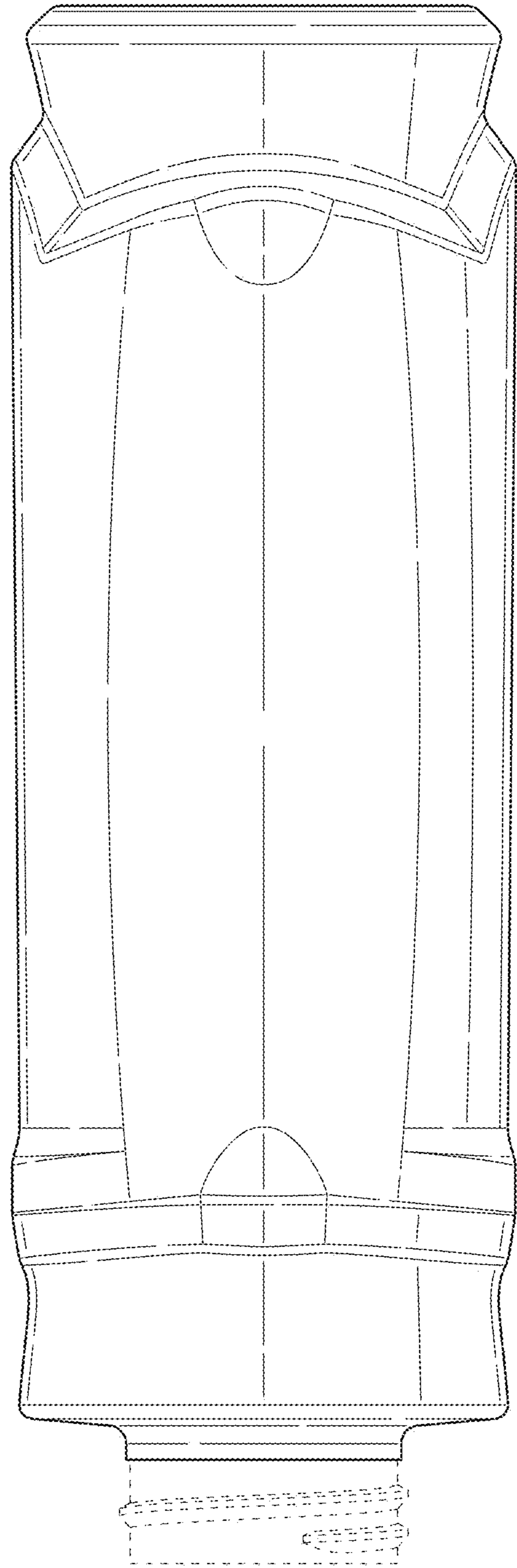


Fig. 5

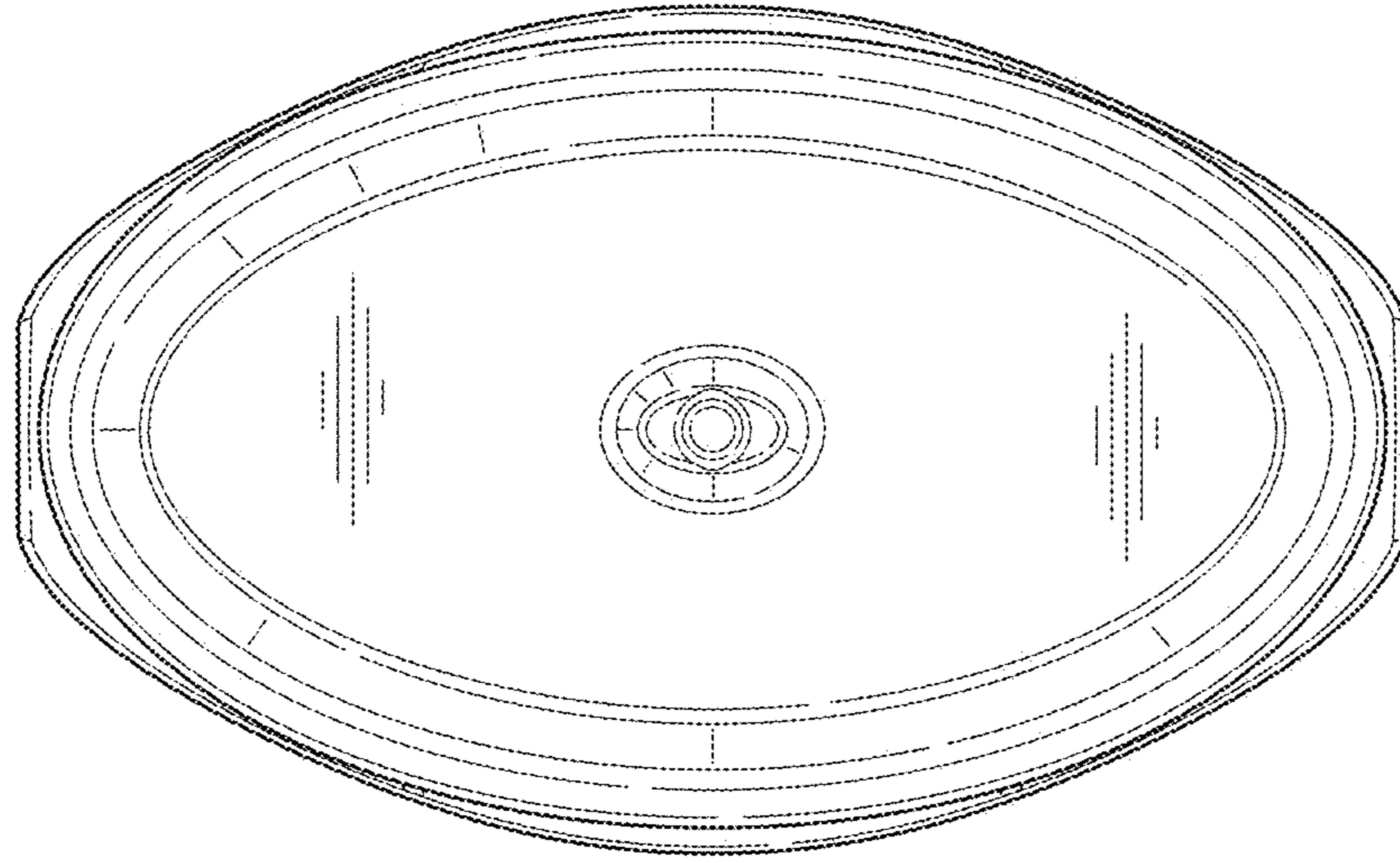


Fig. 6

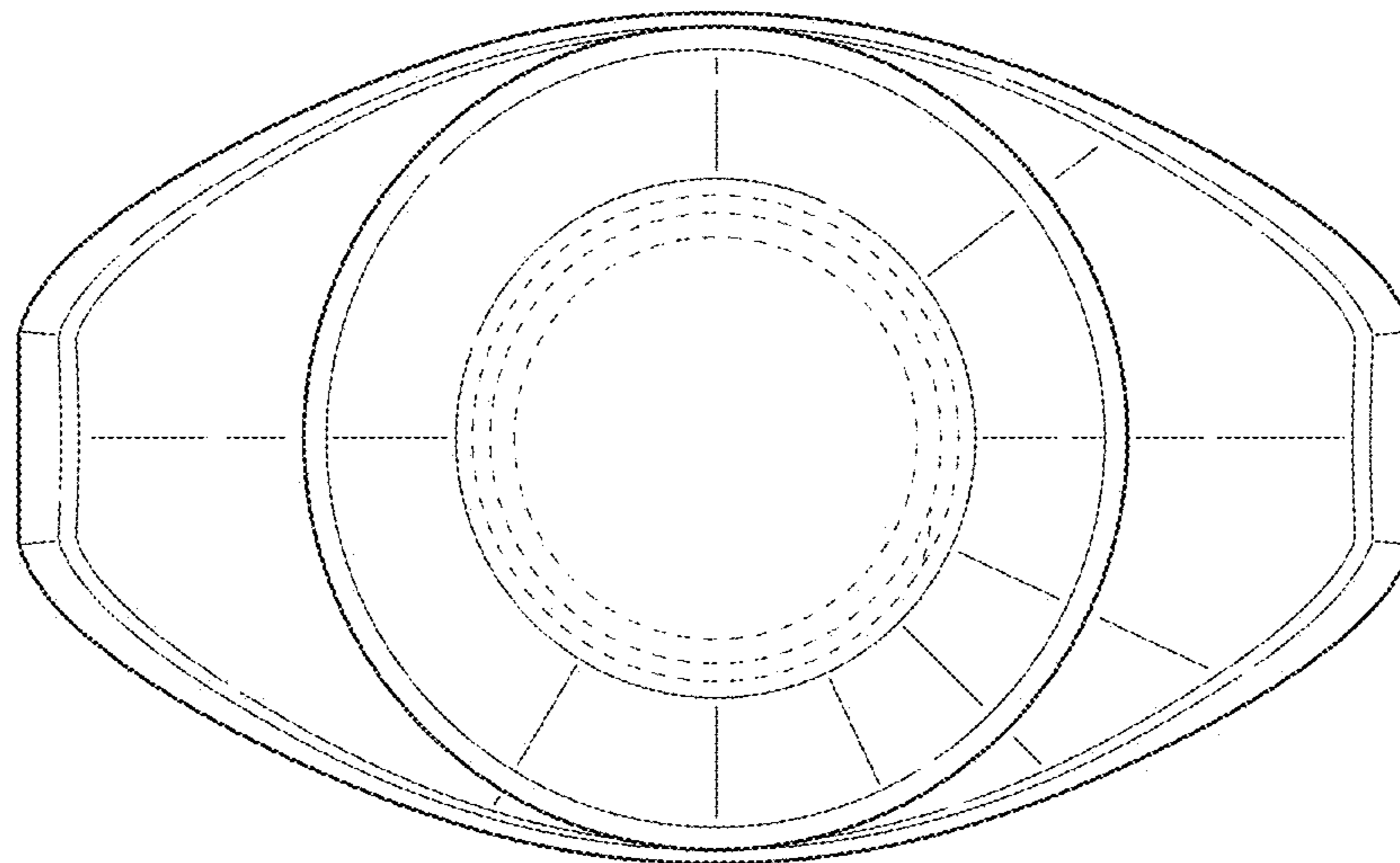


Fig. 7