



US00D928613S

(12) **United States Design Patent**
Ditchburn et al.

(10) **Patent No.: US D928,613 S**

(45) **Date of Patent: ** *Aug. 24, 2021**

(54) **CONTAINER**

(71) Applicant: **Owens-Brockway Glass Container Inc.**, Perrysburg, OH (US)

(72) Inventors: **Julian Ditchburn**, Hawthorn East (AU); **Bayard Sinnema**, Auckland (NZ)

(73) Assignee: **Owens-Brockway Glass Container Inc.**, Perrysburg, OH (US)

(*) Notice: This patent is subject to a terminal disclaimer.

(**) Term: **15 Years**

(21) Appl. No.: **29/569,365**

(22) Filed: **Jun. 27, 2016**

(51) **LOC (13) Cl.** **09-01**

(52) **U.S. Cl.**
USPC **D9/500**; D9/516; D9/550

(58) **Field of Classification Search**
USPC D9/434, 500, 503–505, 516, 545, 549, D9/550, 558, 715, 719

CPC B65D 1/00; B65D 1/02; B65D 1/0223; B65D 2501/00; B65D 2501/0009
See application file for complete search history.

(56) **References Cited**

U.S. PATENT DOCUMENTS

D2,659 S *	5/1867	Parkinson	D9/504
D106,613 S	10/1937	Street, Jr.		
D117,305 S	10/1939	Paris		
D117,500 S	11/1939	Parker		
D132,128 S *	4/1942	Lundy	D9/500
D253,453 S	11/1979	Kretz		
4,525,401 A *	6/1985	Pocock	B29C 45/26 215/373
D282,631 S	2/1986	Beaver et al.		
D286,614 S *	11/1986	Melville	D9/504

(Continued)

OTHER PUBLICATIONS

1st Examiners Report, Chile Serial No. 201703111, Applicant: Owens-Brockway Glass Container Inc., dated Sep. 12, 2018.

Primary Examiner — Dana Meyrow

(57) **CLAIM**

We claim an ornamental design for a container, as shown and described.

DESCRIPTION

FIG. 1 is an elevational side view of a container in accordance with an illustrative embodiment of our new claimed design.

FIG. 2 is a perspective view of the container in FIG. 1.

FIG. 3 is a top view of the container in FIG. 1.

FIG. 4 is a bottom view of the container in FIG. 1.

FIG. 5 is an elevational side view of a container in accordance with another illustrative embodiment of our new claimed design.

FIG. 6 is a perspective view of the container in FIG. 5.

FIG. 7 is a top view of the container in FIG. 5.

FIG. 8 is a bottom view of the container in FIG. 5.

FIG. 9 is an elevational side view of a container in accordance with a further illustrative embodiment of our new claimed design.

FIG. 10 is a perspective view of the container in FIG. 9.

FIG. 11 is a top view of the container in FIG. 9.

FIG. 12 is a bottom view of the container in FIG. 9.

FIG. 13 is an elevational side view of a container in accordance with an additional illustrative embodiment of our new claimed design.

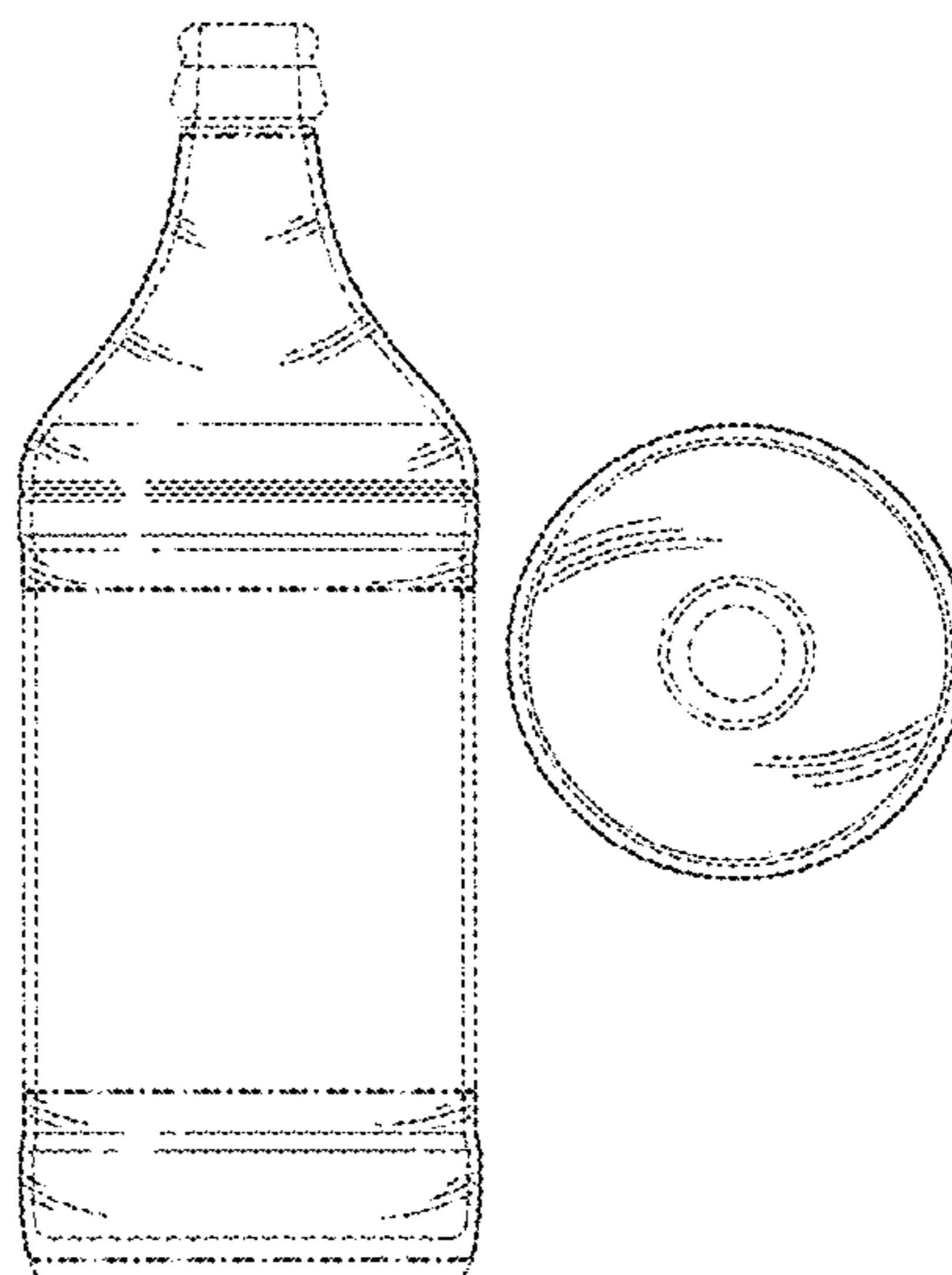
FIG. 14 is a perspective view of the container in FIG. 13.

FIG. 15 is a top view of the container in FIG. 13; and,

FIG. 16 is a bottom view of the container in FIG. 13.

The evenly-dashed broken lines in the drawings illustrate the portions of the container that form no part of the claim. The dot-dash broken lines define the bounds of the claim and form no part thereof.

1 Claim, 4 Drawing Sheets



(56)

References Cited

U.S. PATENT DOCUMENTS

D292,173 S 10/1987 Julian et al.
 D292,371 S 10/1987 Cooper
 D315,677 S 3/1991 Vidarsson et al.
 5,205,423 A * 4/1993 Ota B65D 23/001
 215/12.1
 D343,791 S * 2/1994 Pitaknarongphorn D9/447
 D374,176 S 10/1996 Sillince et al.
 D413,518 S 9/1999 Rodea
 D430,806 S 9/2000 Di Robilant
 D438,117 S 2/2001 Shefler et al.
 D449,785 S 10/2001 Guthrie et al.
 D452,436 S 12/2001 Darr et al.
 D477,533 S 7/2003 Kornick et al.
 D477,534 S 7/2003 Kornick et al.
 D489,983 S 5/2004 Futral et al.
 D534,080 S 12/2006 Mody et al.
 D548,604 S 8/2007 Rica
 D549,104 S 8/2007 Dimmel et al.
 D559,699 S 1/2008 Dellevigne
 D561,598 S 2/2008 Dellevigne
 D568,166 S 5/2008 Dellevigne
 D576,043 S 9/2008 Rica
 D576,886 S 9/2008 Venkataraman et al.
 D591,155 S 4/2009 Trollope et al.
 D591,603 S 5/2009 Robin-Prevallee
 D592,060 S 5/2009 Chupak
 D594,342 S 6/2009 Pare et al.
 D600,557 S 9/2009 Chupak
 D626,840 S * 11/2010 Hall D9/500
 D643,291 S 8/2011 Haskins
 D645,354 S 9/2011 Doerr et al.
 D658,995 S 5/2012 Potts
 D659,538 S 5/2012 Lecetre et al.
 D668,956 S 10/2012 Hirst
 D669,356 S 10/2012 Jacober
 D672,250 S 12/2012 Austin et al.

D673,859 S 1/2013 Austin et al.
 D687,311 S 8/2013 Austin et al.
 D691,475 S 10/2013 Potts
 D691,482 S 10/2013 Naumann et al.
 D692,301 S 10/2013 Bueno
 D695,614 S 12/2013 Crowe
 D696,116 S 12/2013 Jacober et al.
 D696,946 S 1/2014 Hines
 D697,423 S 1/2014 Infahsaeng
 D697,804 S 1/2014 Hanson et al.
 D704,557 S 5/2014 Hamill
 D706,633 S 6/2014 Reisig et al.
 D706,634 S 6/2014 Herman et al.
 D713,250 S 9/2014 Perez-Cabrera
 D715,654 S 10/2014 Fitts
 D717,171 S 11/2014 Delacourt et al.
 D718,137 S 11/2014 Ahlgren et al.
 D719,843 S 12/2014 James
 D725,471 S 3/2015 Jacober et al.
 D725,472 S 3/2015 Jacober et al.
 D734,154 S 7/2015 Johnson et al.
 D734,163 S 7/2015 Infahsaeng
 D739,731 S 9/2015 Jones
 D739,732 S 9/2015 Jones
 D742,744 S 11/2015 Hall
 D745,396 S 12/2015 Jahina et al.
 D745,397 S 12/2015 Gogola et al.
 D745,399 S 12/2015 Cotton
 D790,968 S * 7/2017 Thompson D9/500
 D826,052 S * 8/2018 Harris D9/500
 D838,176 S * 1/2019 Harris D9/516
 D838,177 S * 1/2019 Paredes D9/516
 D847,647 S * 5/2019 Birkhoff D9/516
 D849,541 S * 5/2019 Harris D9/500
 D858,287 S * 9/2019 Hines D9/500
 D889,267 S * 7/2020 Smith D9/516
 D894,739 S * 9/2020 Ungrady D9/500
 D907,498 S * 1/2021 Fraser D9/500

* cited by examiner

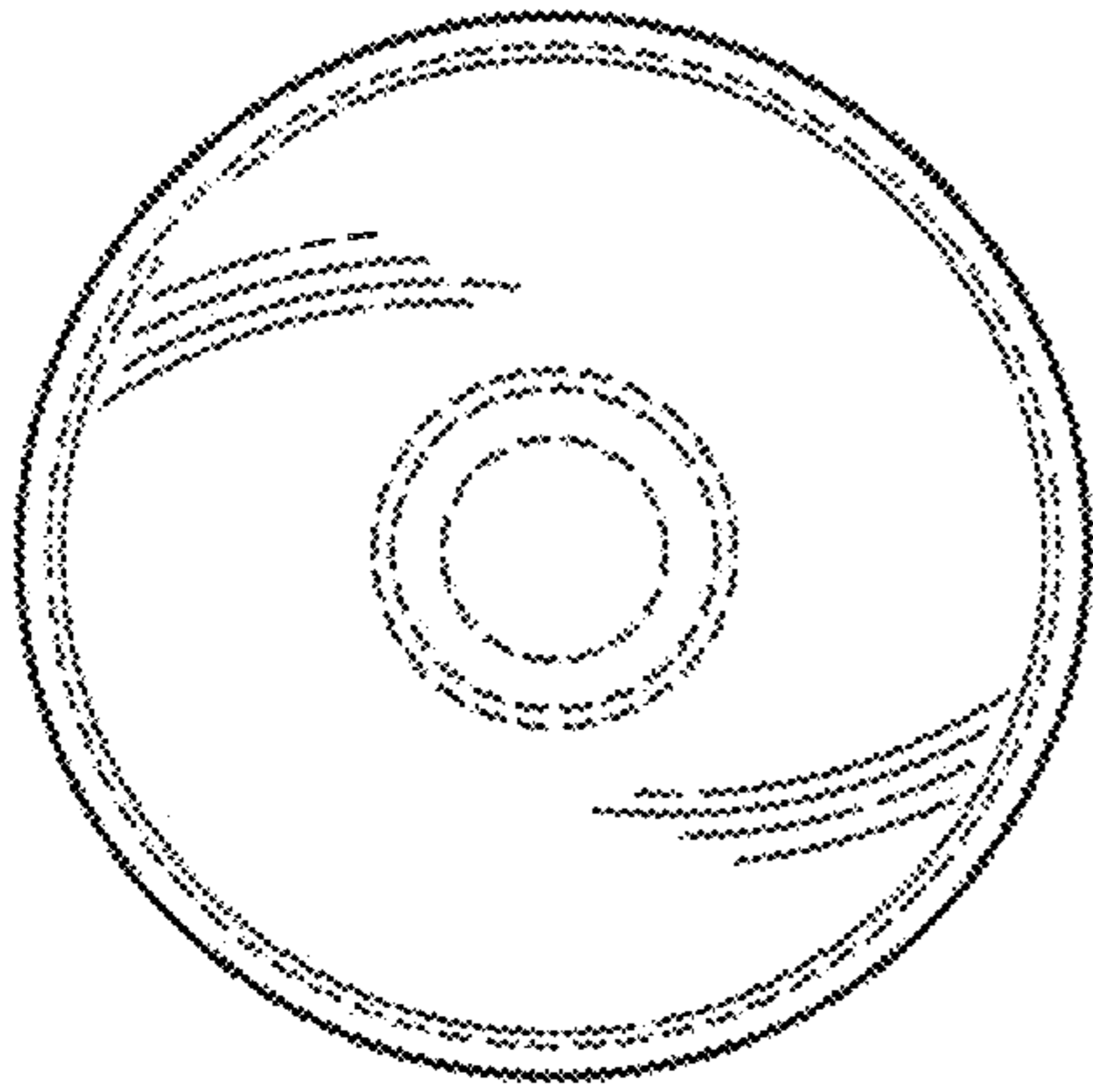


FIG. 3

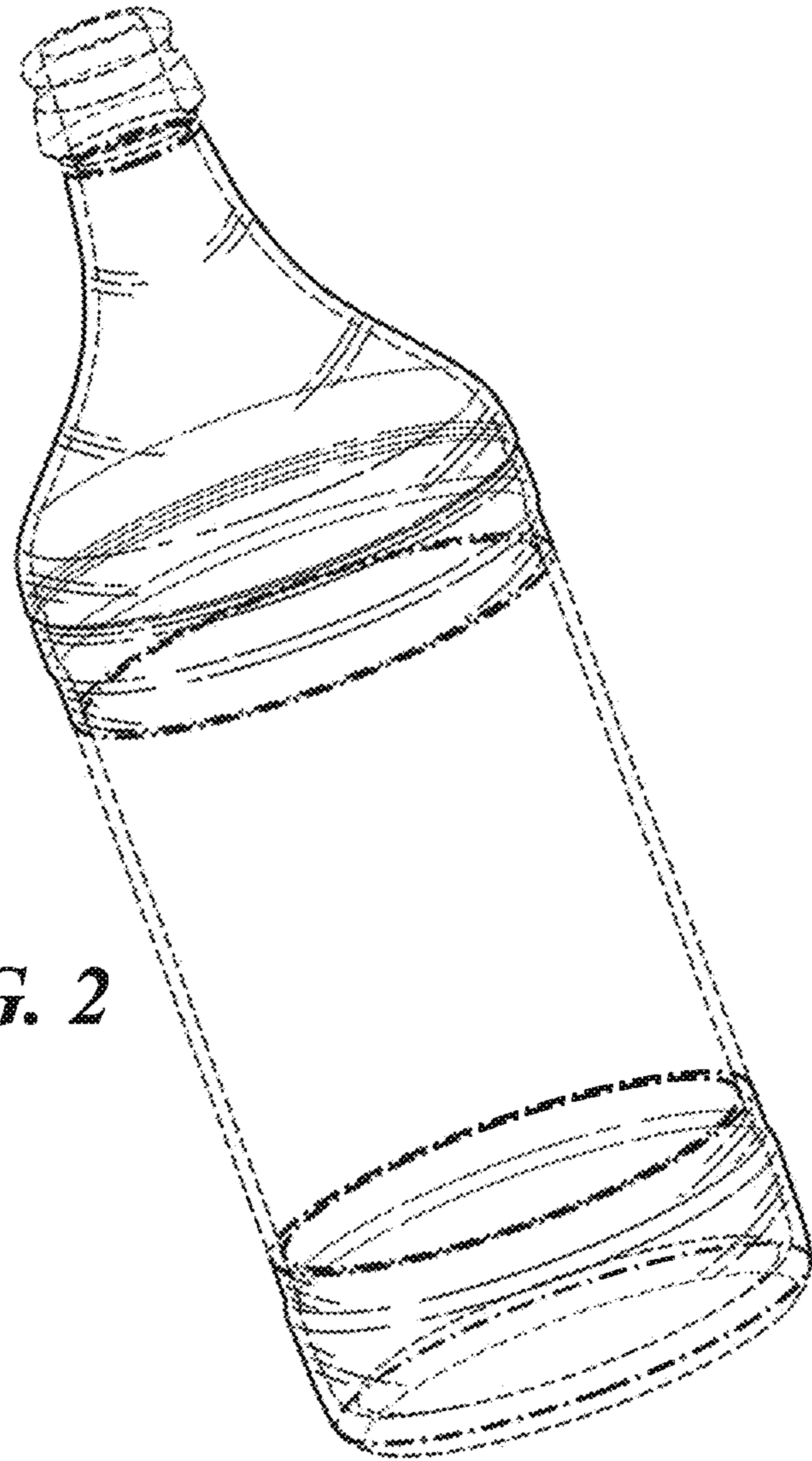


FIG. 2

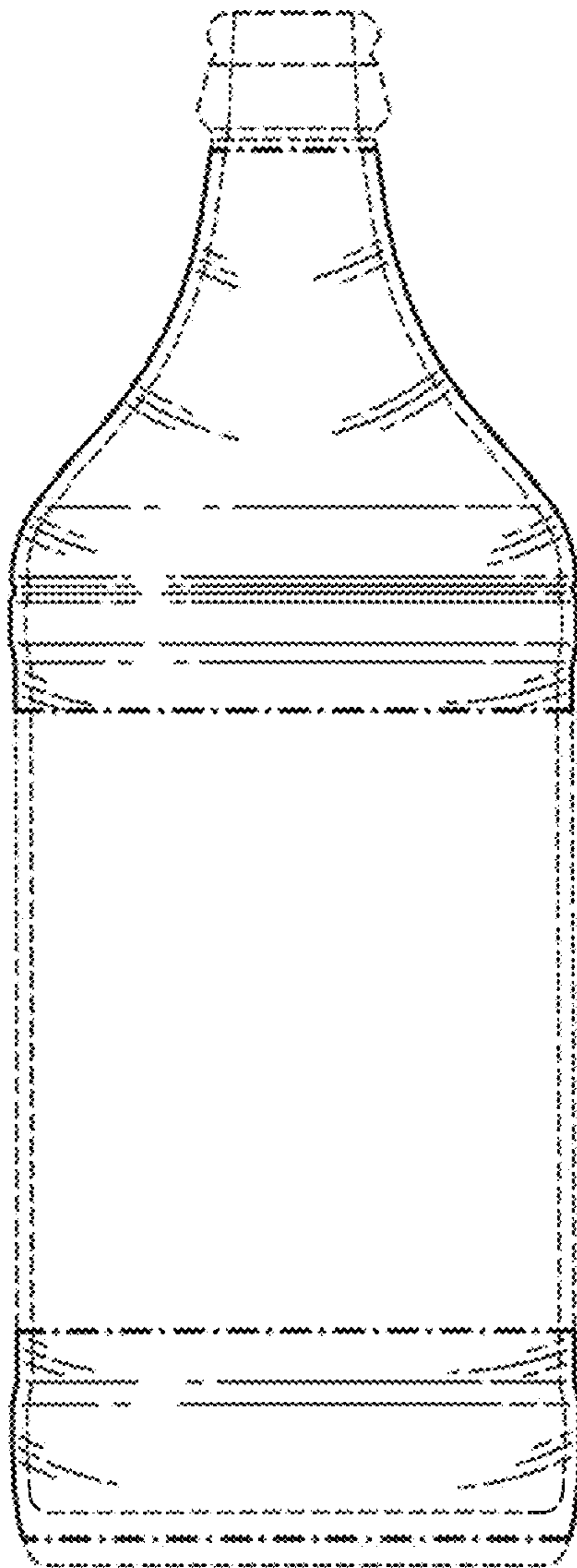


FIG. 1

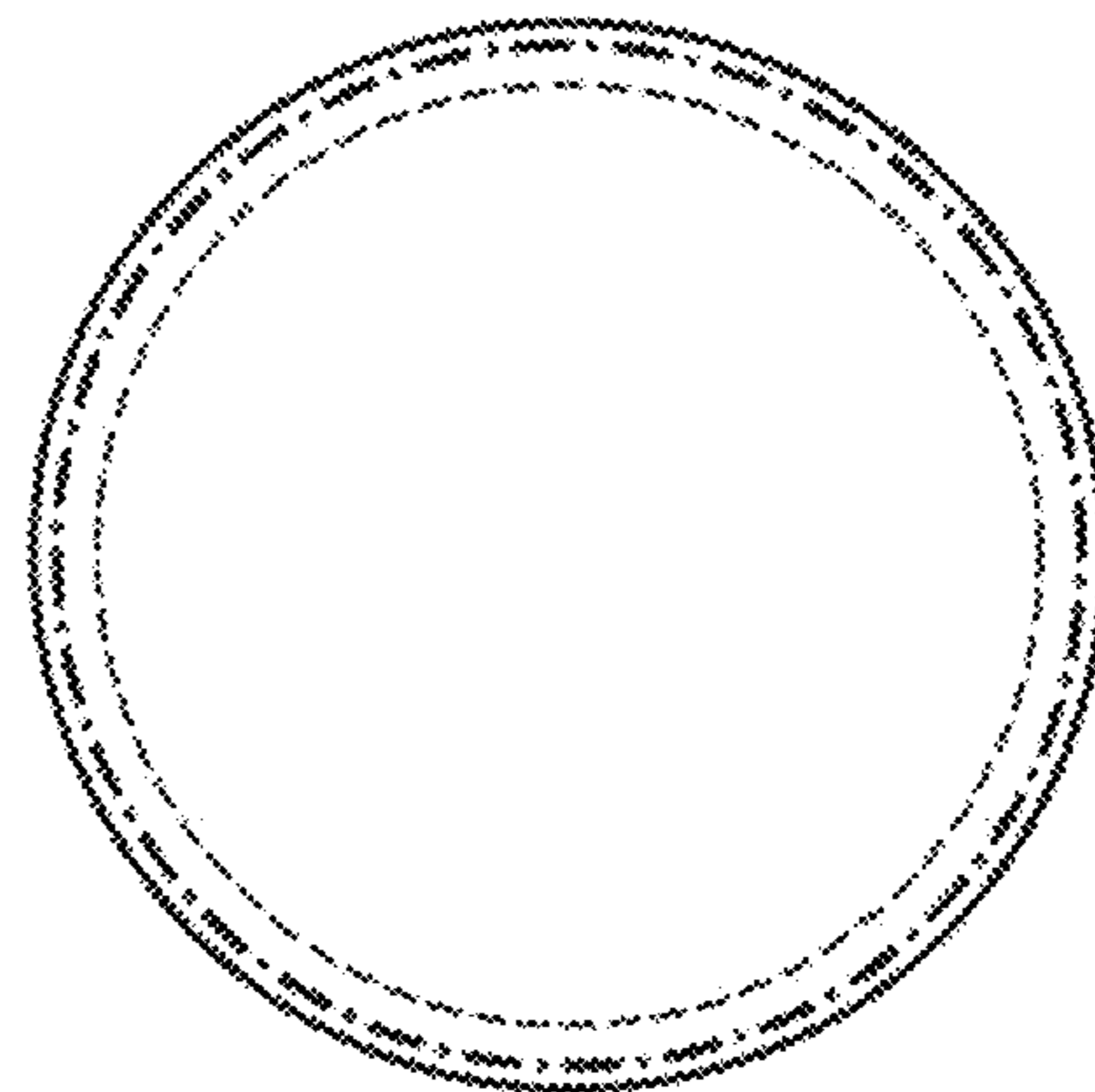


FIG. 4

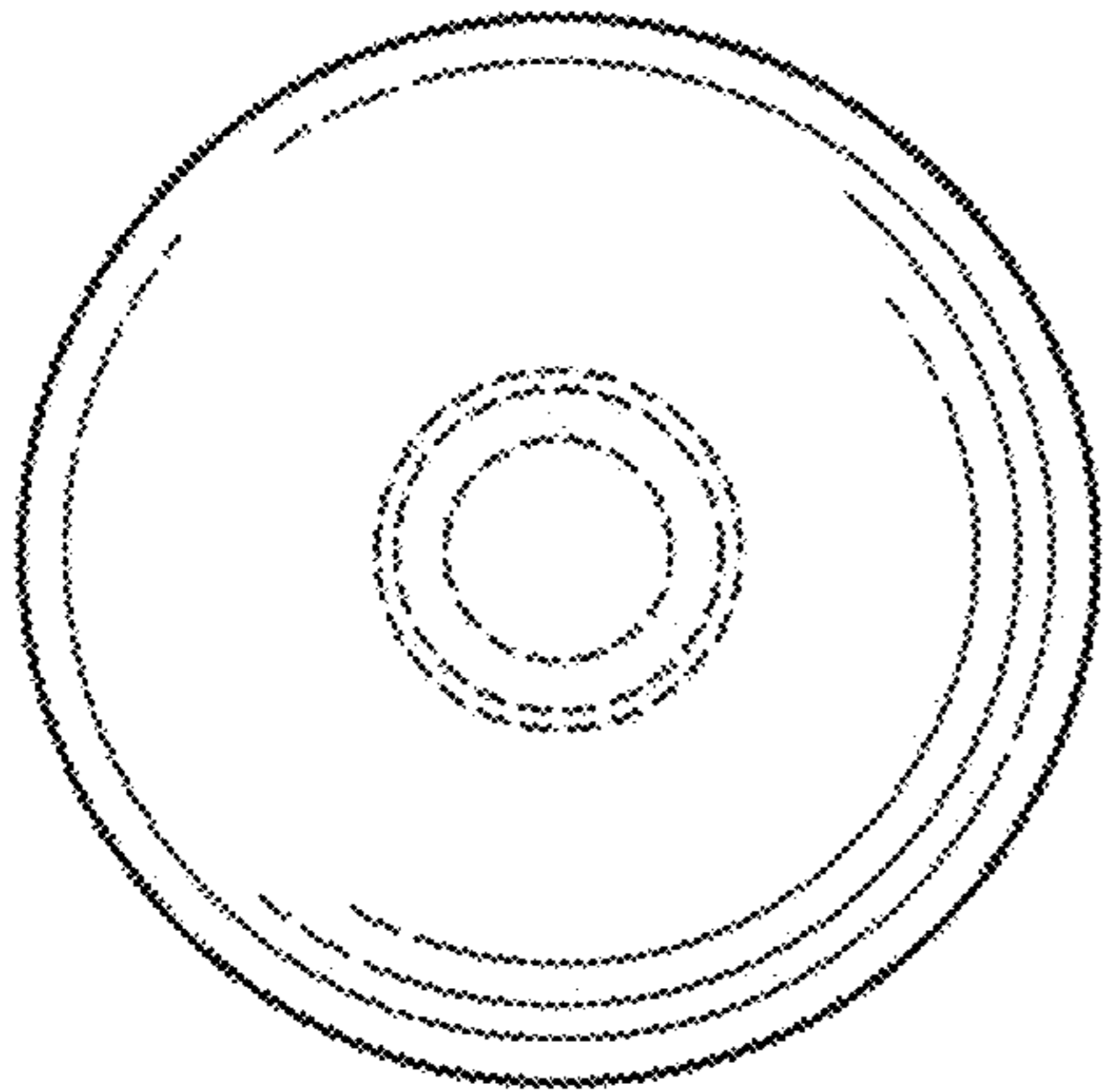


FIG. 7

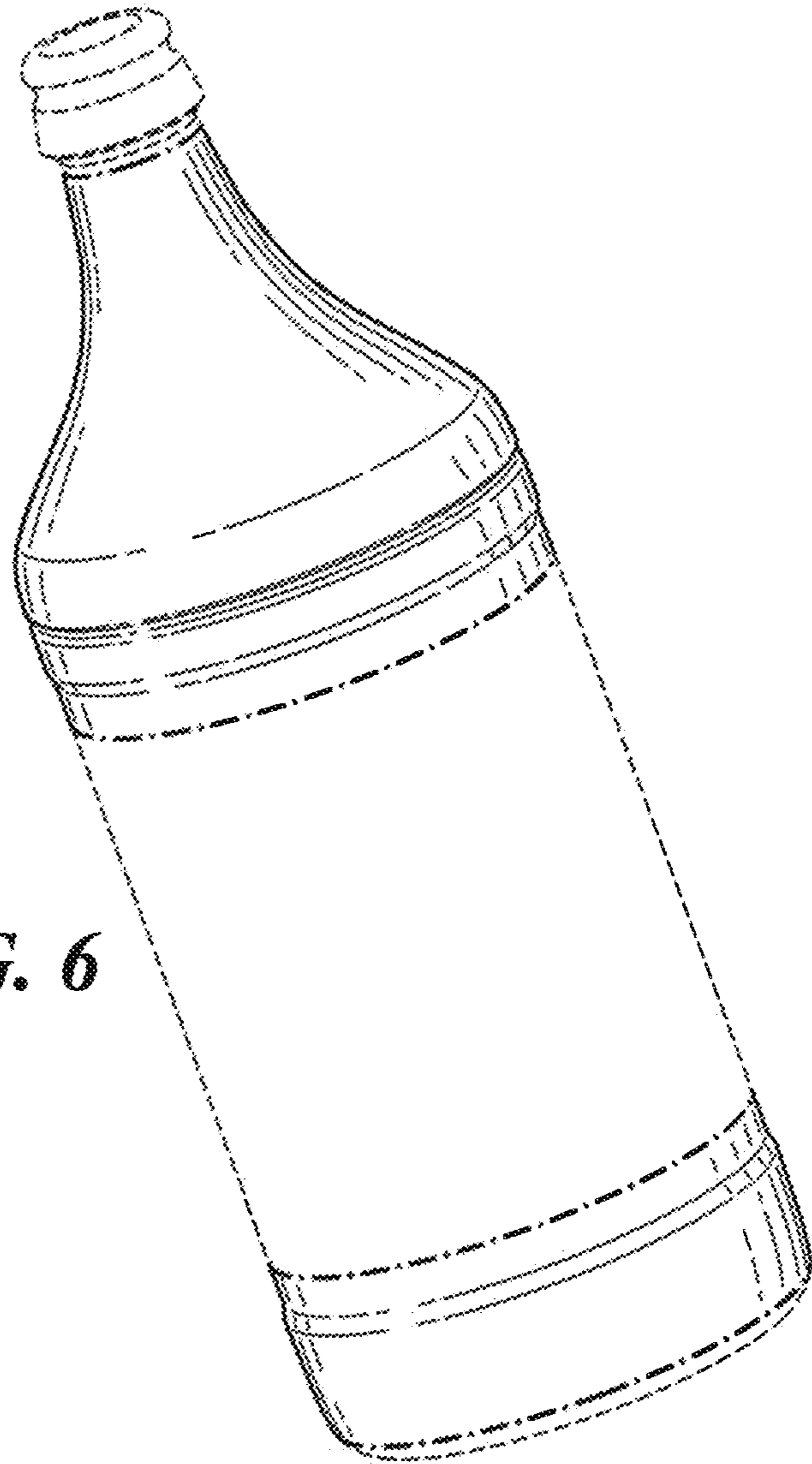


FIG. 6

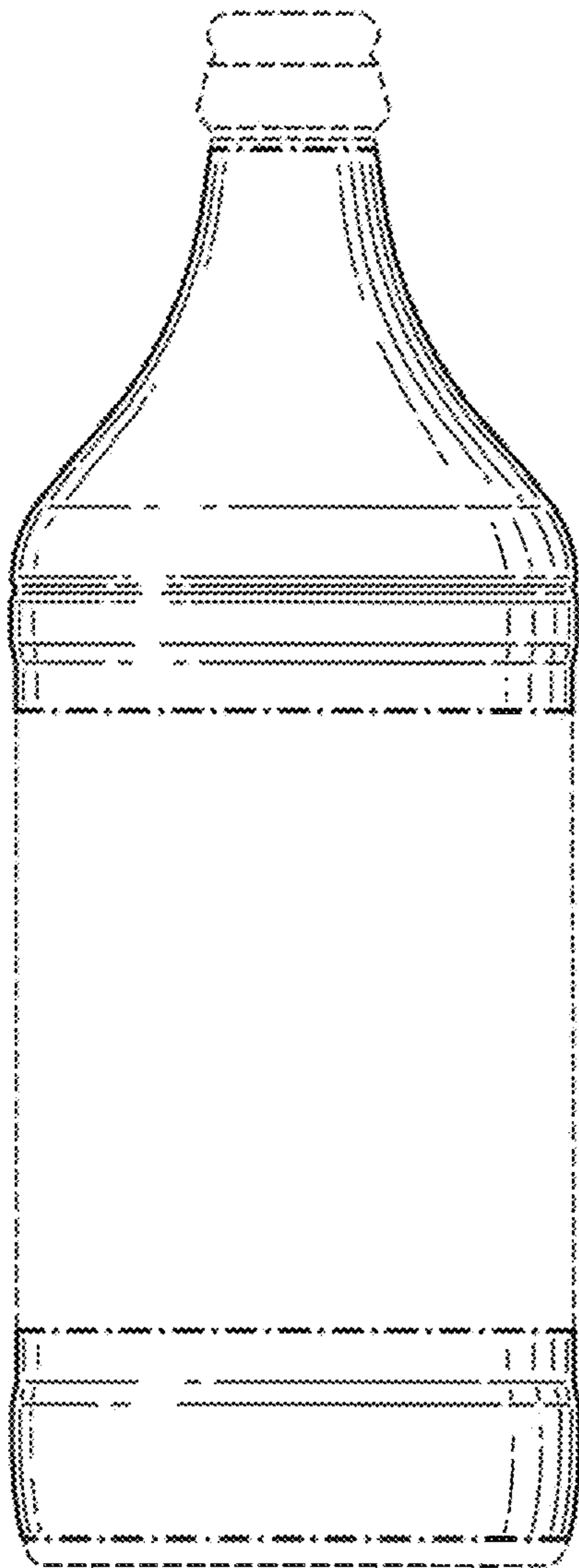


FIG. 5

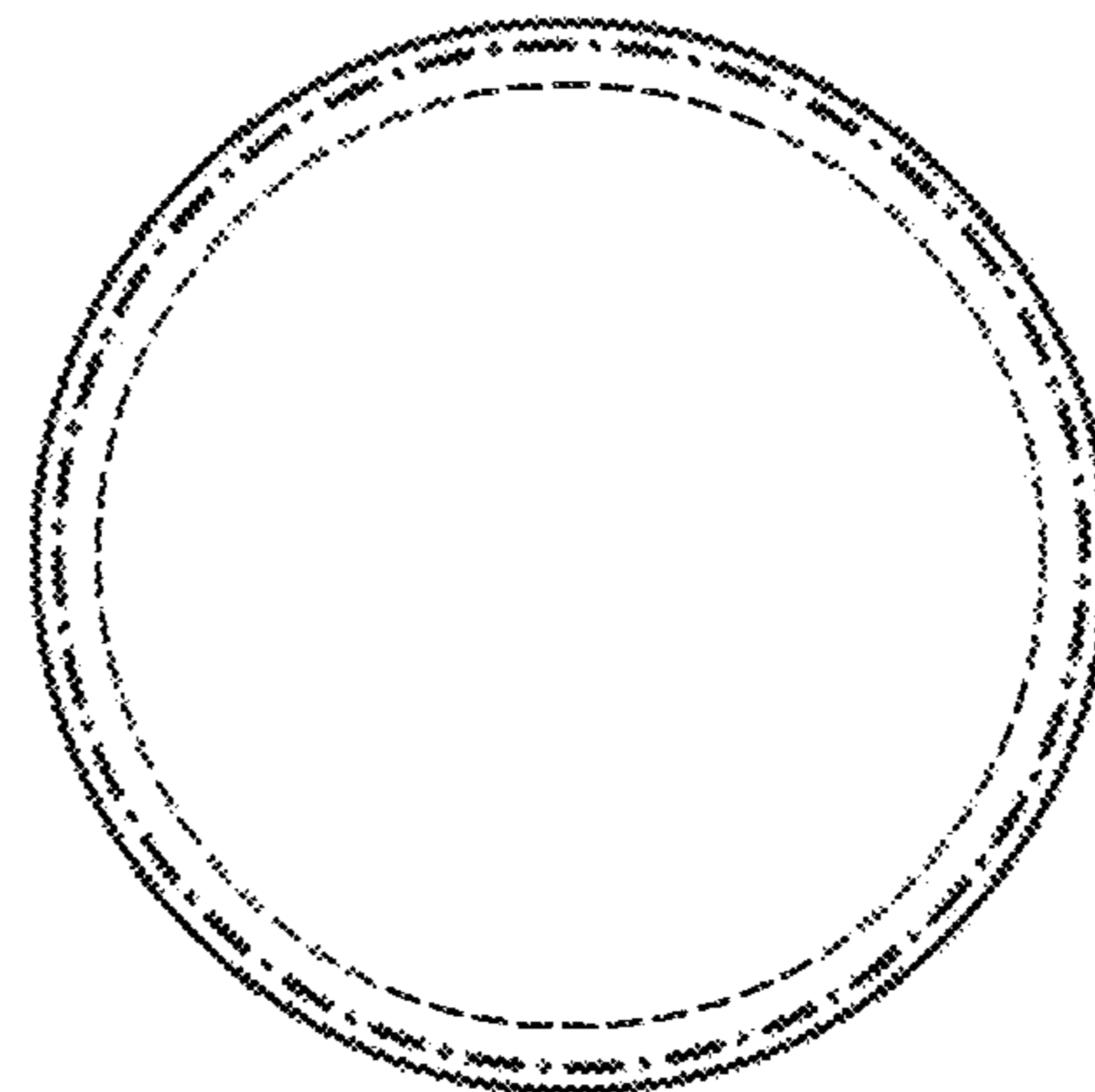


FIG. 8

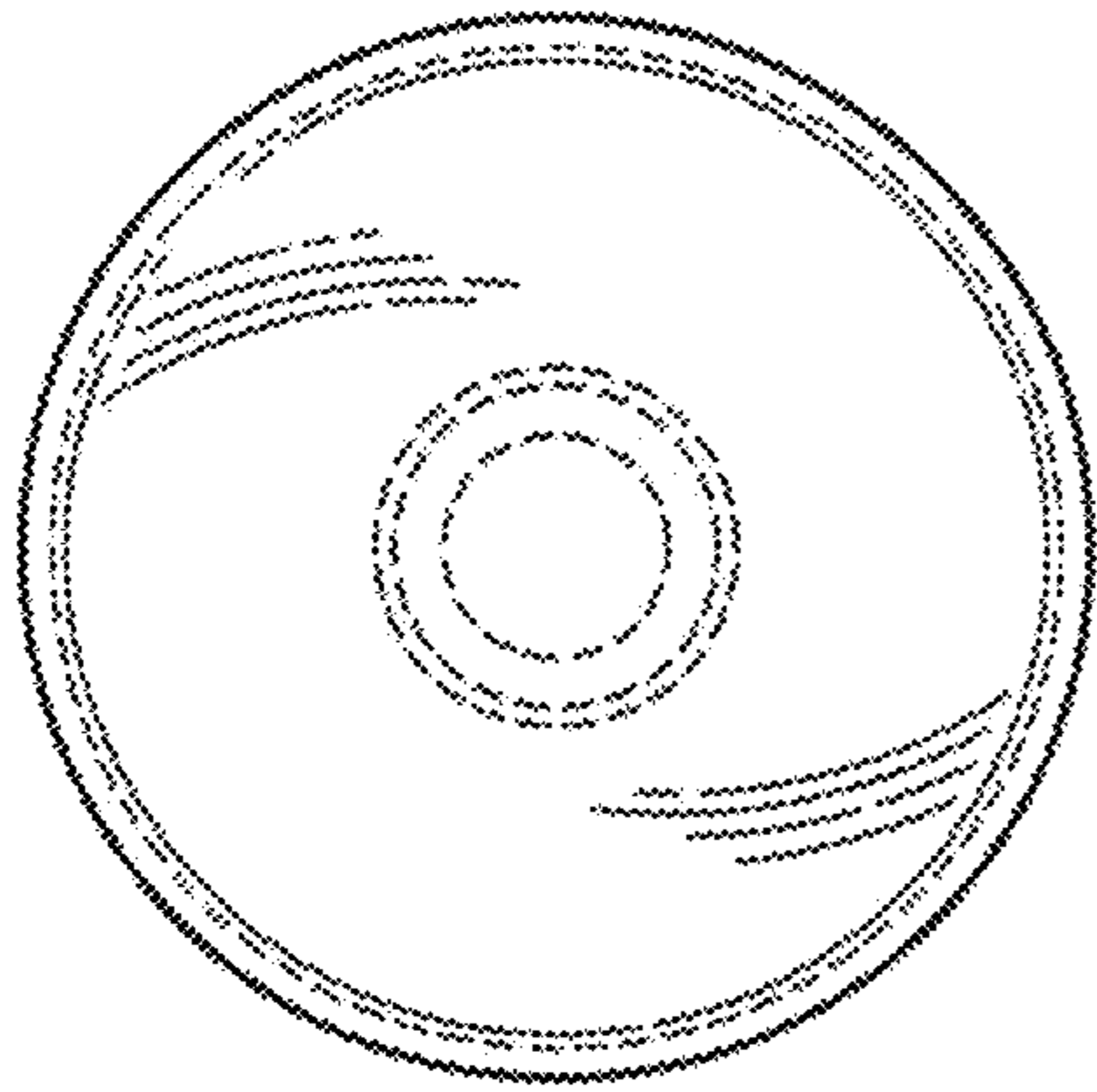


FIG. 11

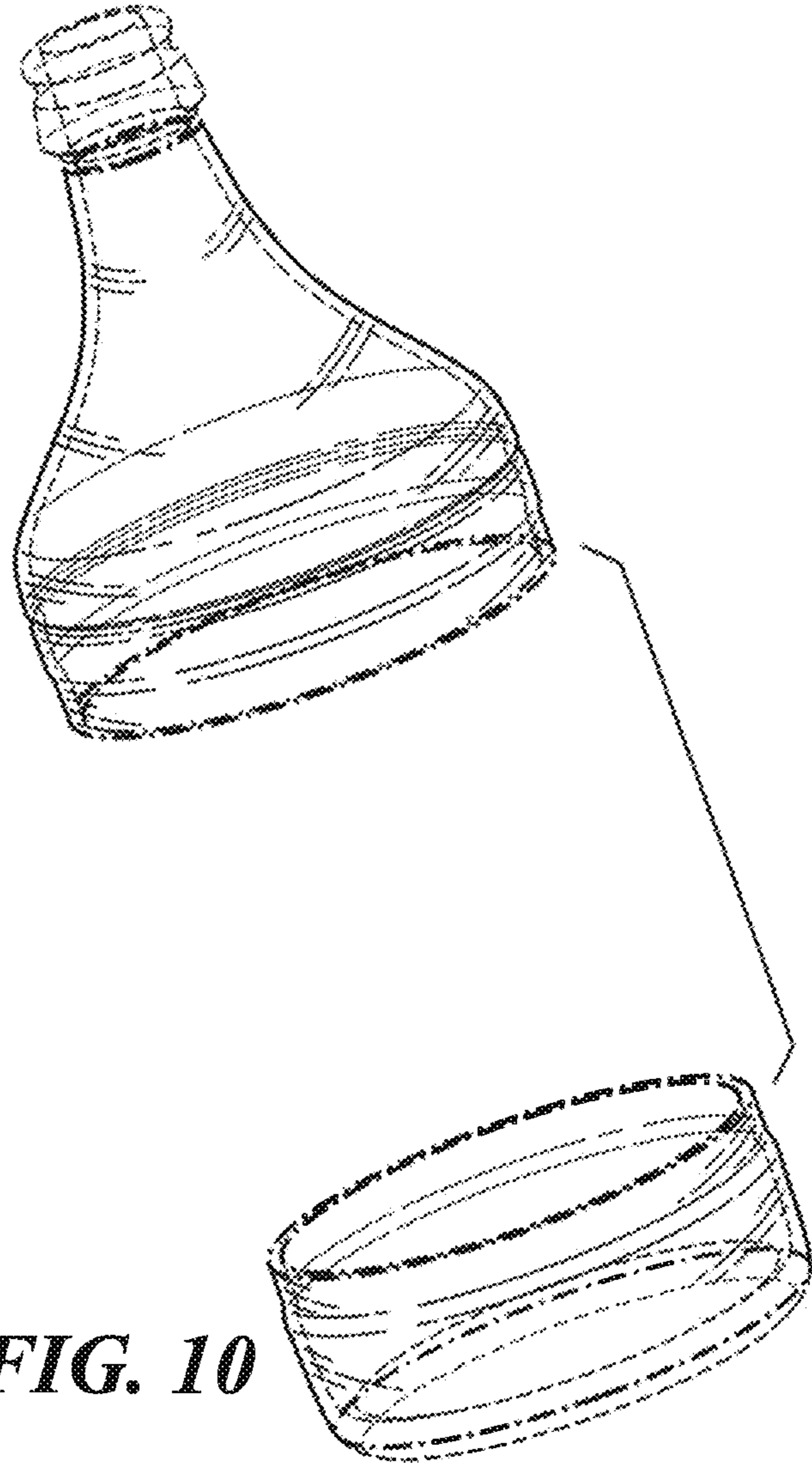


FIG. 10

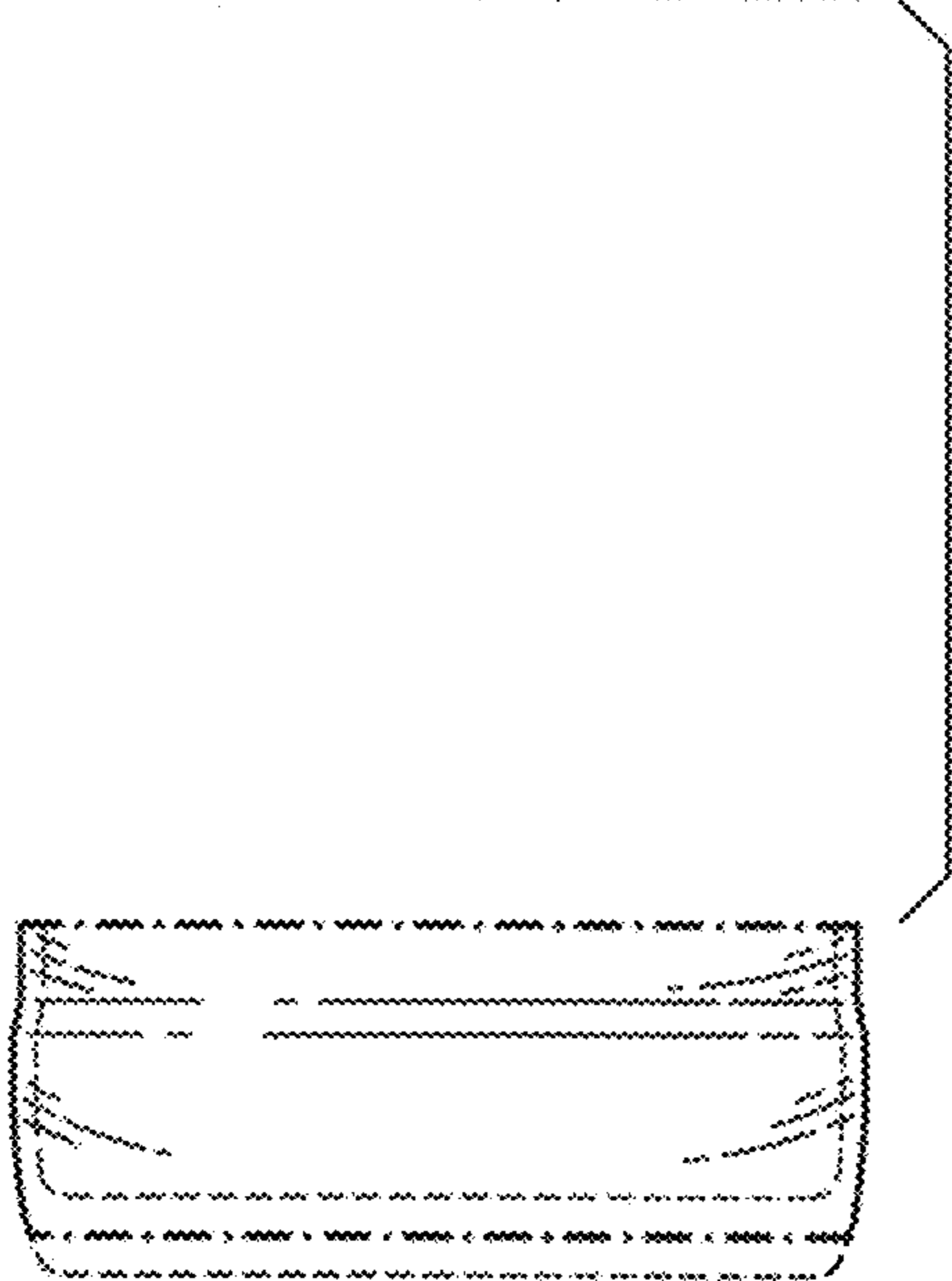
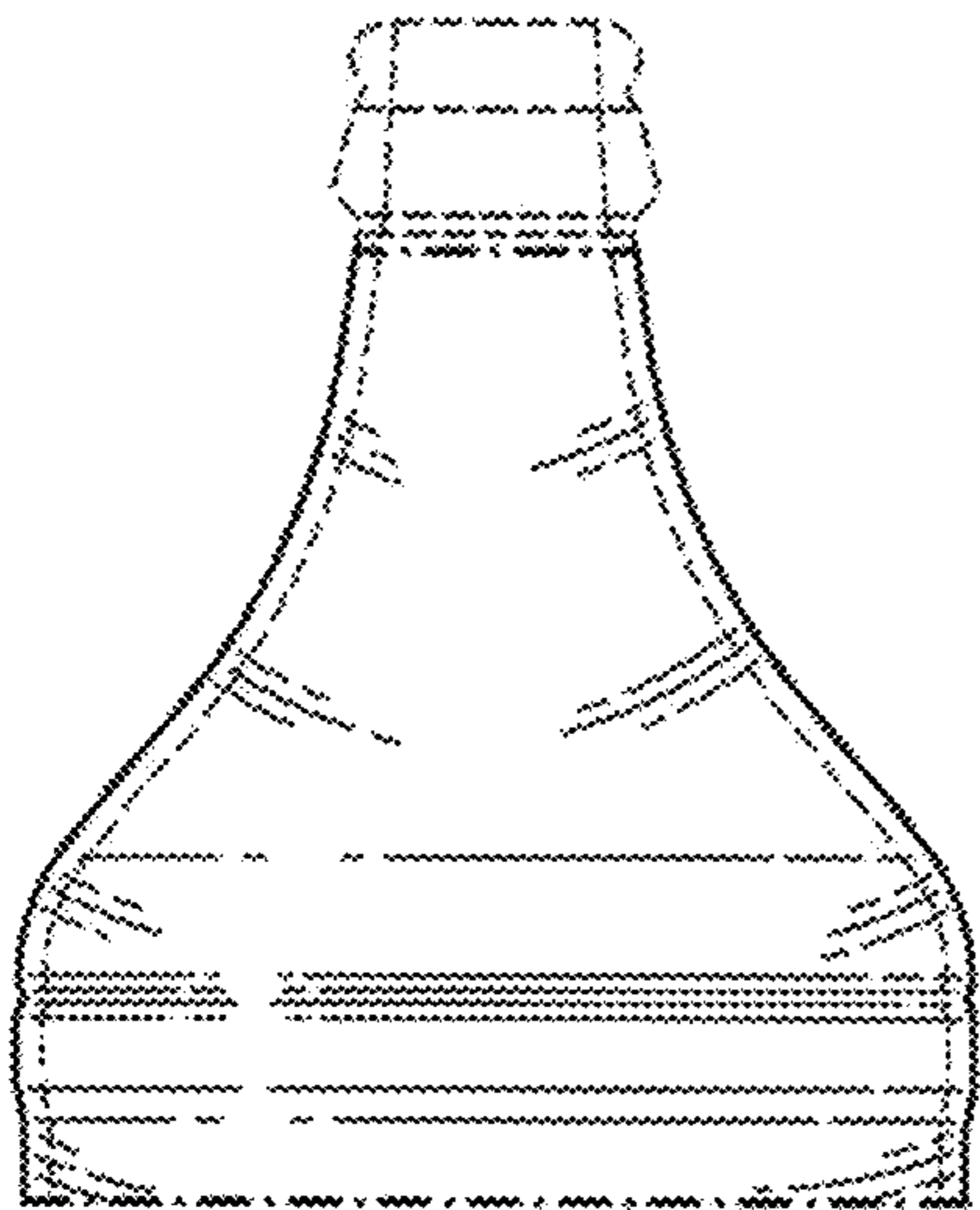


FIG. 9

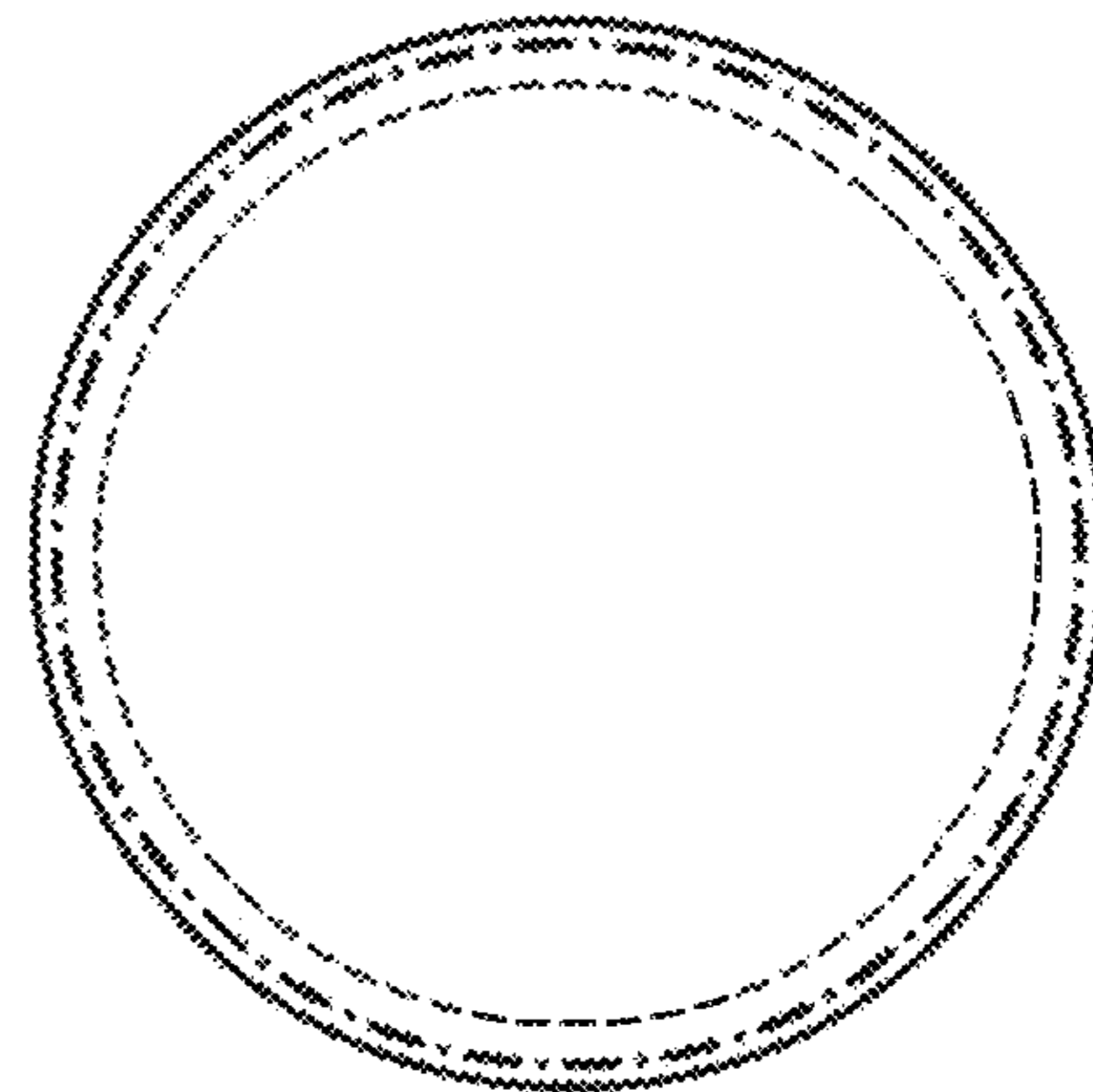


FIG. 12

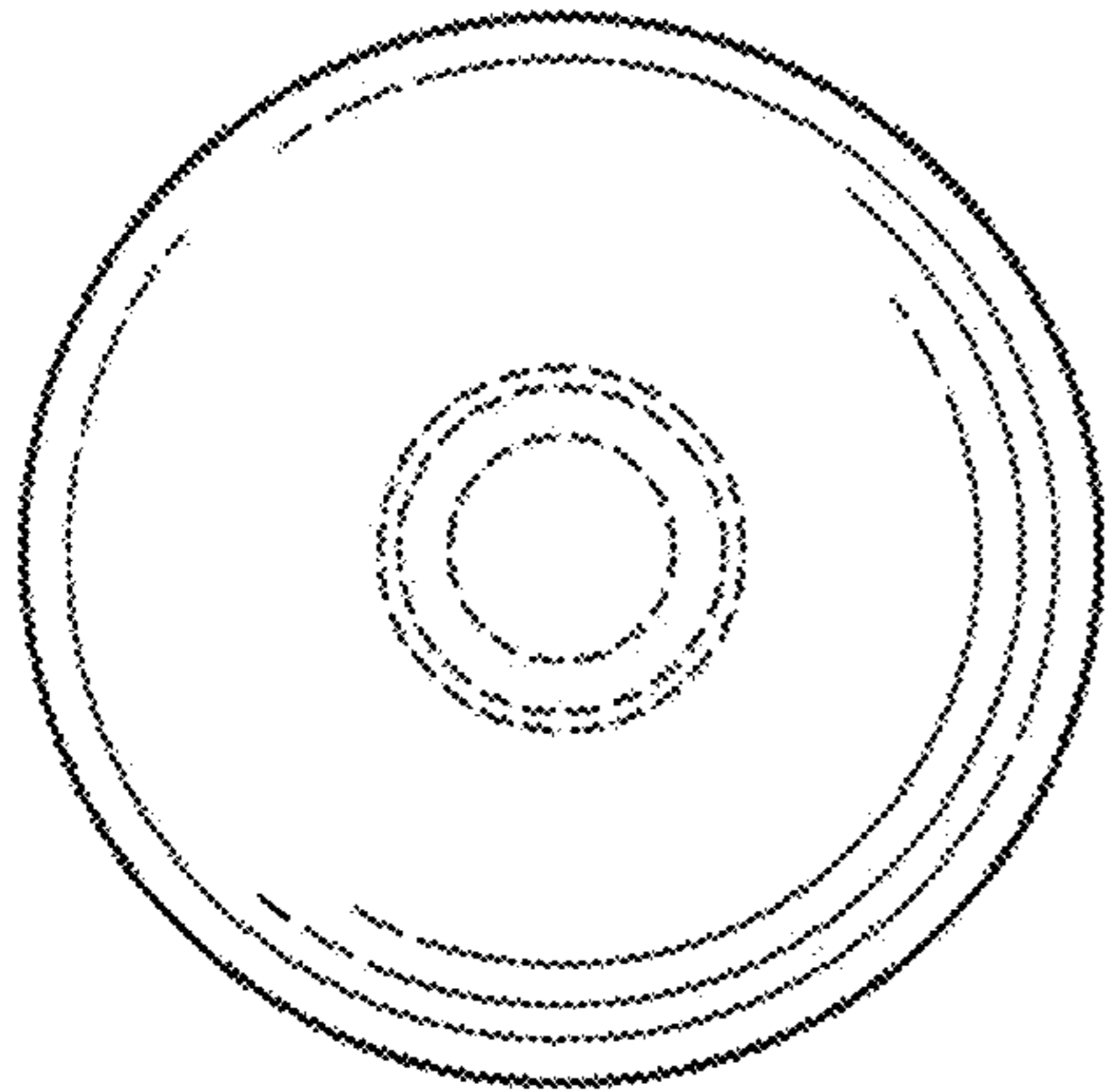


FIG. 15

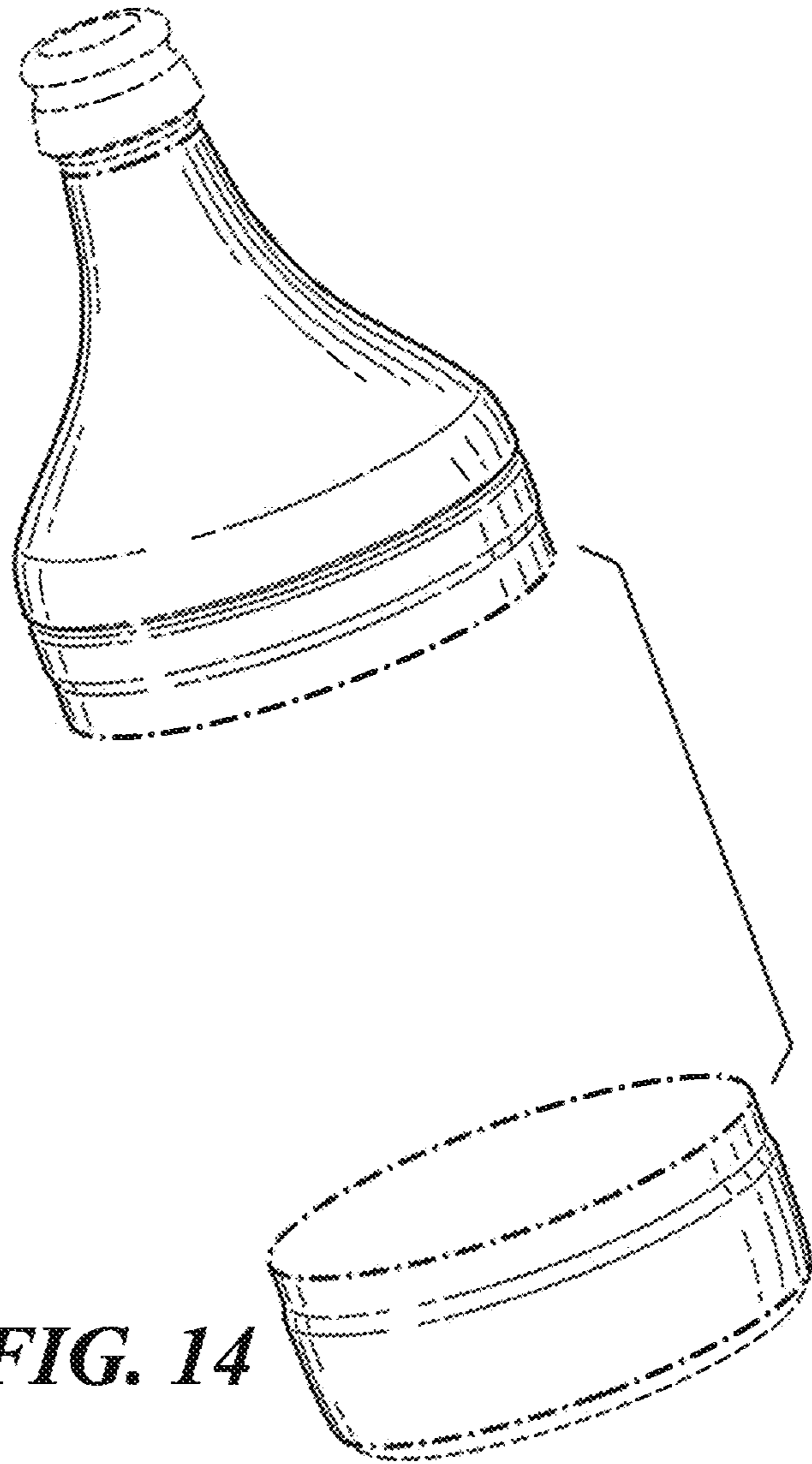


FIG. 14

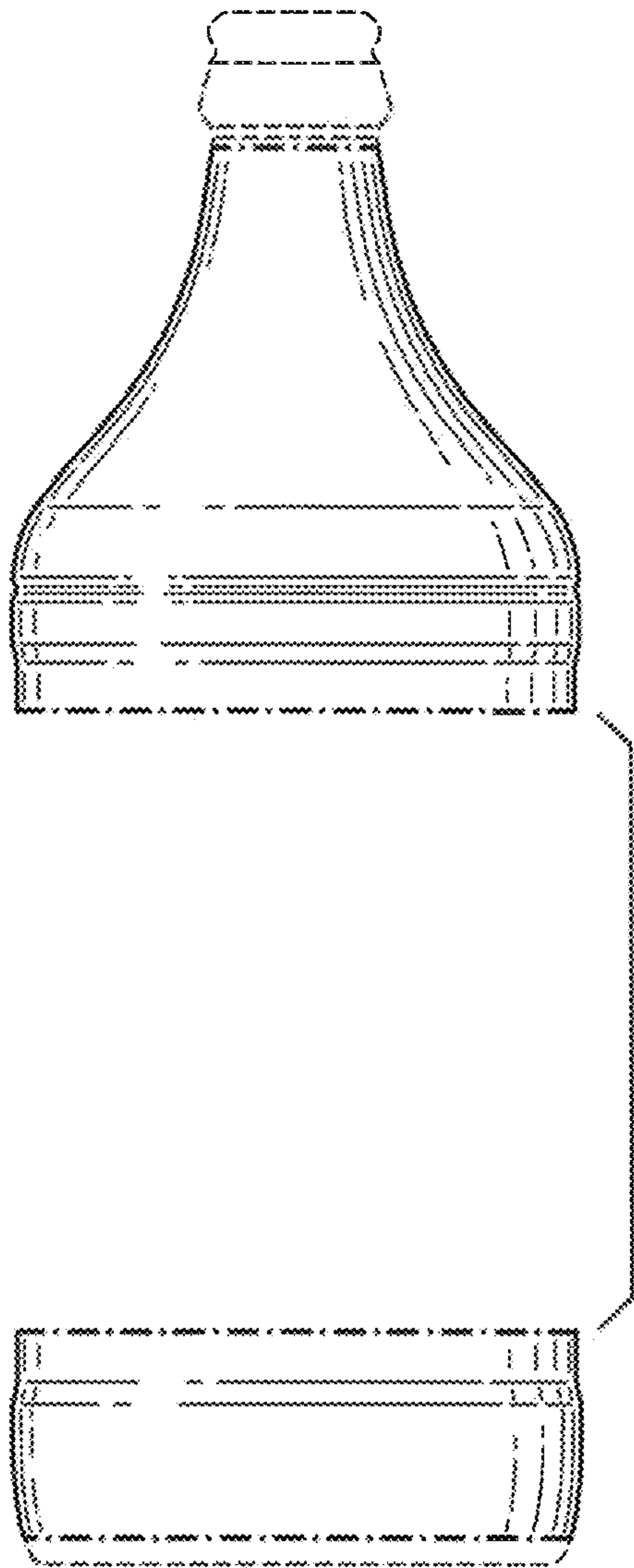


FIG. 13

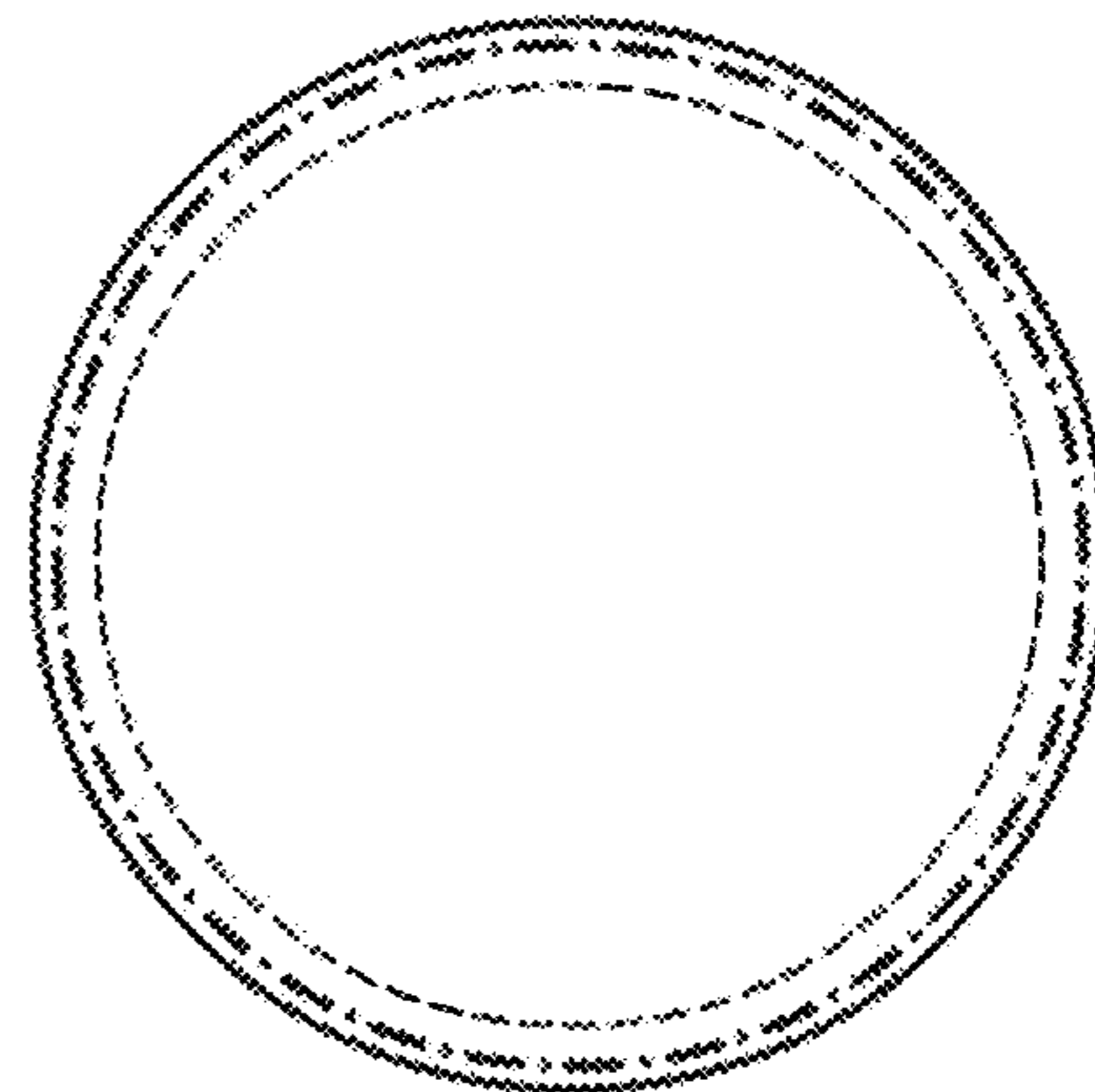


FIG. 16