



US00D928610S

(12) **United States Design Patent** (10) **Patent No.:** **US D928,610 S**
Kennedy (45) **Date of Patent:** **** Aug. 24, 2021**

- (54) **CARTON BLANK**
- (71) Applicant: **AVERY DENNISON RETAIL INFORMATION SERVICES, LLC**, Mentor, OH (US)
- (72) Inventor: **Daniel Kennedy**, Northampton (GB)
- (73) Assignee: **Avery Dennison Retail Information Services, LLC**, Mentor, OH (US)
- (**) Term: **15 Years**
- (21) Appl. No.: **29/698,270**
- (22) Filed: **Jul. 16, 2019**
- (51) **LOC (13) Cl.** **09-03**
- (52) **U.S. Cl.**
USPC **D9/433**
- (58) **Field of Classification Search**
USPC D9/414-420, 421-433, 434, 442, 445, D9/456, 542, 563, 600, 614-624, 707, D9/708, 711, 754, 759; D3/273, 276, D3/304, 309-313; D7/601, 602, 709
CPC B65D 5/00; B65D 5/001; B65D 5/0027; B65D 5/0254; B65D 5/18; B65D 5/38; B65D 5/40; B65D 5/2033; B65D 5/48024; B65D 5/6605; B65D 1/22; B65D 1/24; B65D 1/34; B65B 5/06
See application file for complete search history.

5,060,850 A *	10/1991	Weaver	B65D 5/4266	229/117.06
D393,422 S	4/1998	Pecher			
D427,066 S	6/2000	Persson et al.			
D438,791 S	3/2001	Tsuruishi et al.			
D693,678 S	11/2013	Kanchan			
D747,194 S *	1/2016	Melistas	D9/433	
D833,530 S	11/2018	Stafeil			
D857,496 S	8/2019	Hughes			
D859,149 S	9/2019	Hughes			
D859,150 S	9/2019	Hughes			
D859,996 S	9/2019	Billen			
D860,780 S	9/2019	Requena et al.			
D889,955 S *	7/2020	Vandenbos	D9/418	
D894,732 S *	9/2020	Kennedy	D9/433	
D898,566 S *	10/2020	Hughes	D9/433	
D898,567 S *	10/2020	Kennedy	D9/433	
2006/0191984 A1 *	8/2006	Hitosugi	B65D 5/6685	229/112

* cited by examiner

Primary Examiner — Janice Hallmark
Assistant Examiner — Omeed Agilee

(57) **CLAIM**

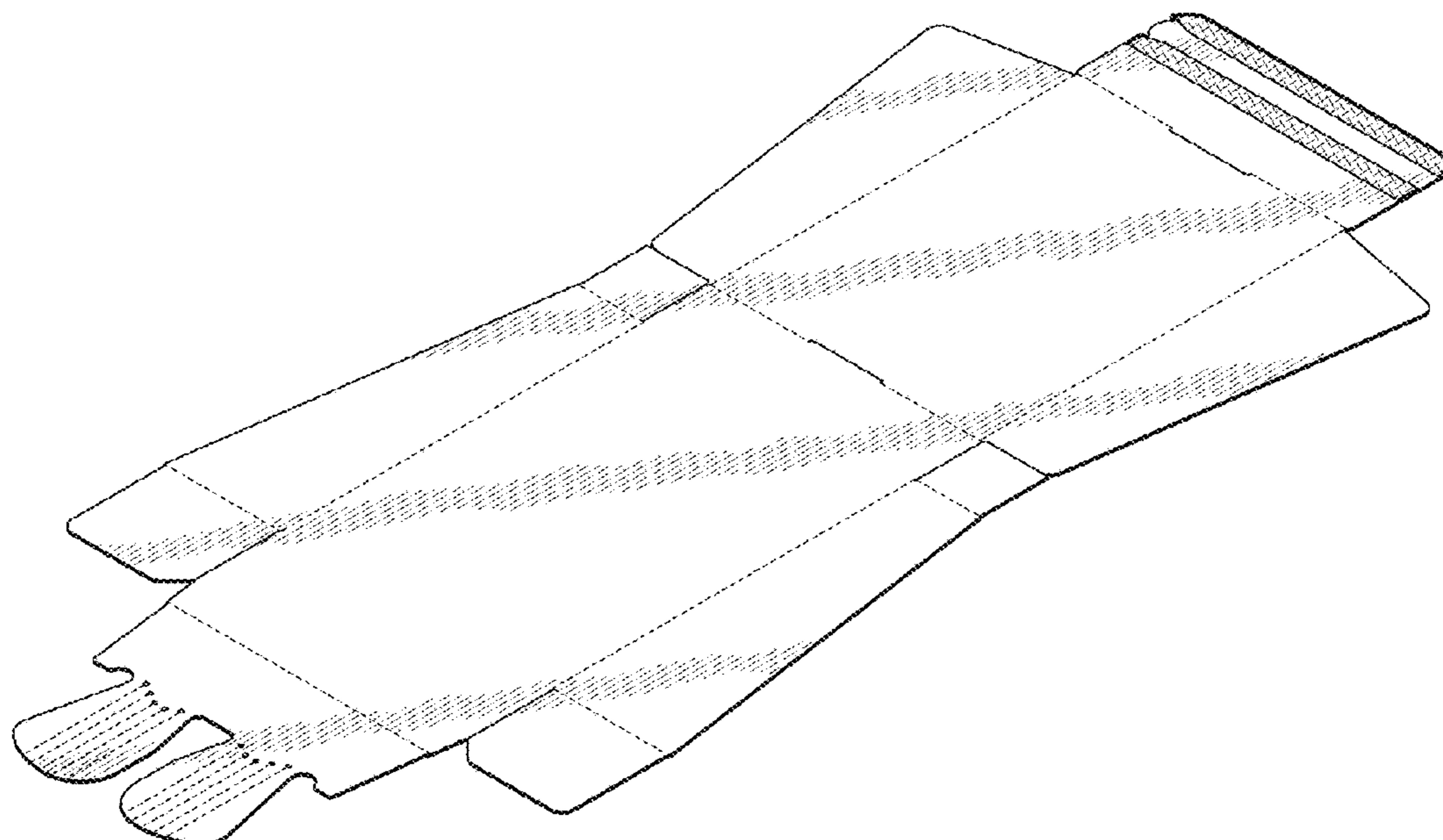
The ornamental design for a carton blank, as shown and described.

DESCRIPTION

FIG. 1 is an isometric view of a carton blank, showing my design; and
FIG. 2 is a front view thereof;
FIG. 3 is a rear view thereof;
FIG. 4 is a left side view thereof;
FIG. 5 is a right side view thereof;
FIG. 6 is a top view thereof; and,
FIG. 7 is a bottom view thereof.
The broken lines in the drawings depict fold lines and form part of the claimed design.

1 Claim, 5 Drawing Sheets

- (56) **References Cited**
U.S. PATENT DOCUMENTS
1,982,962 A * 12/1934 McAleer B65D 5/46128
229/117.14
2,805,813 A * 9/1957 Rittmueller B65D 5/46144
229/117.15
3,009,620 A 11/1961 Leone



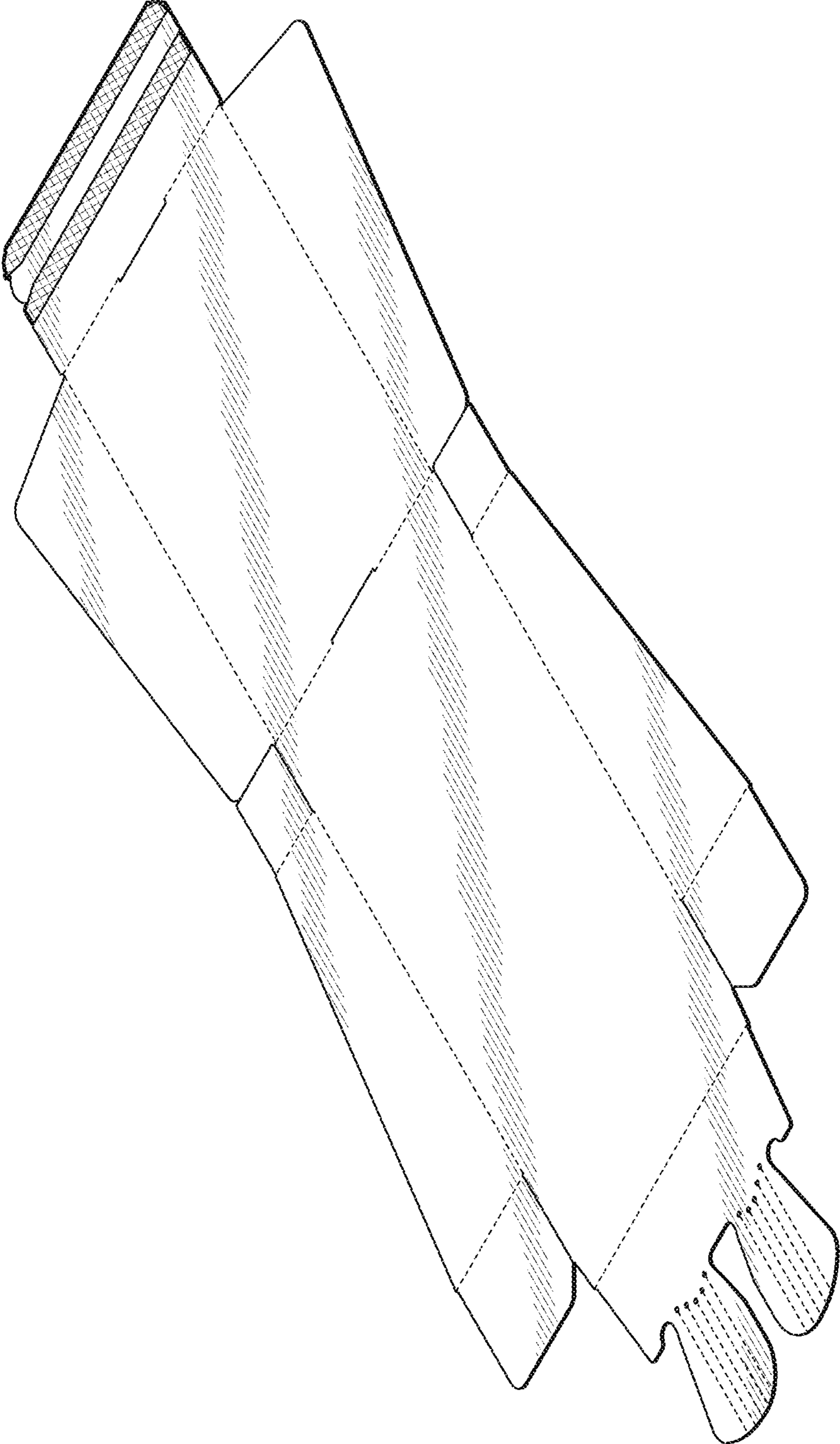


FIG. 1

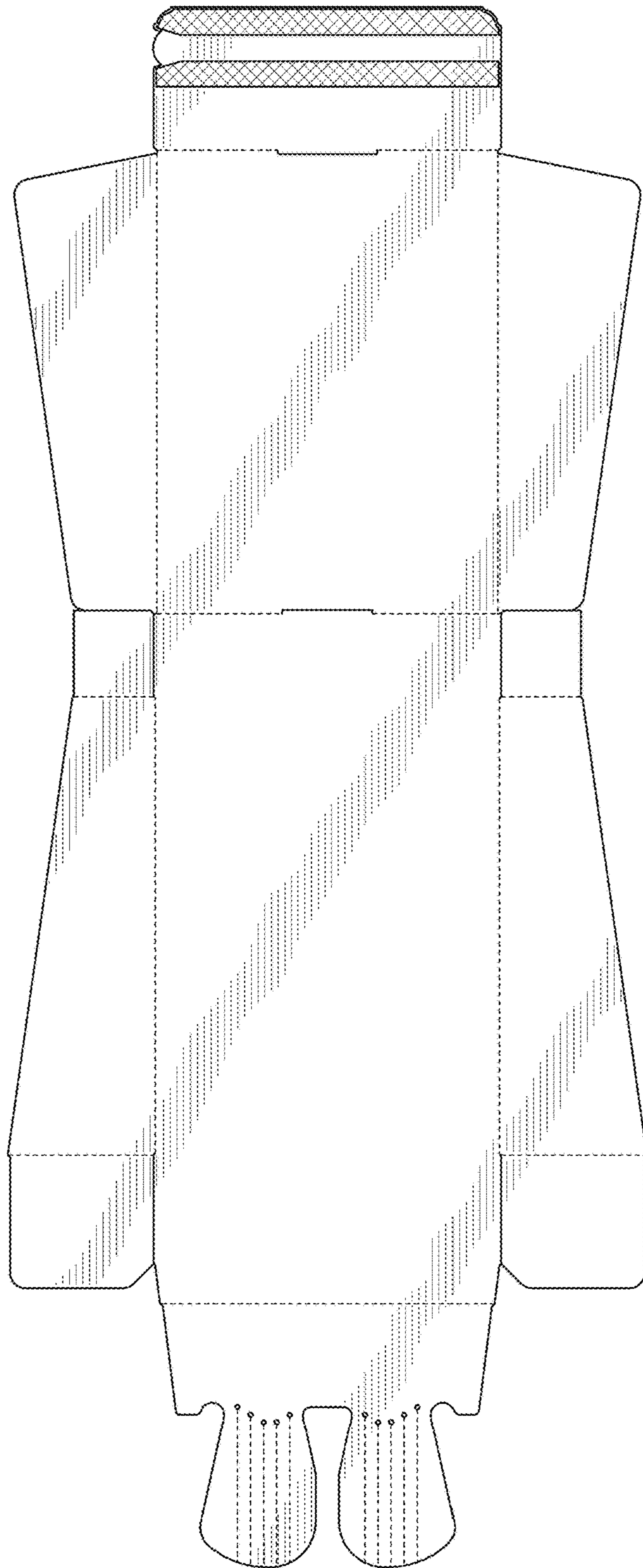


FIG. 2

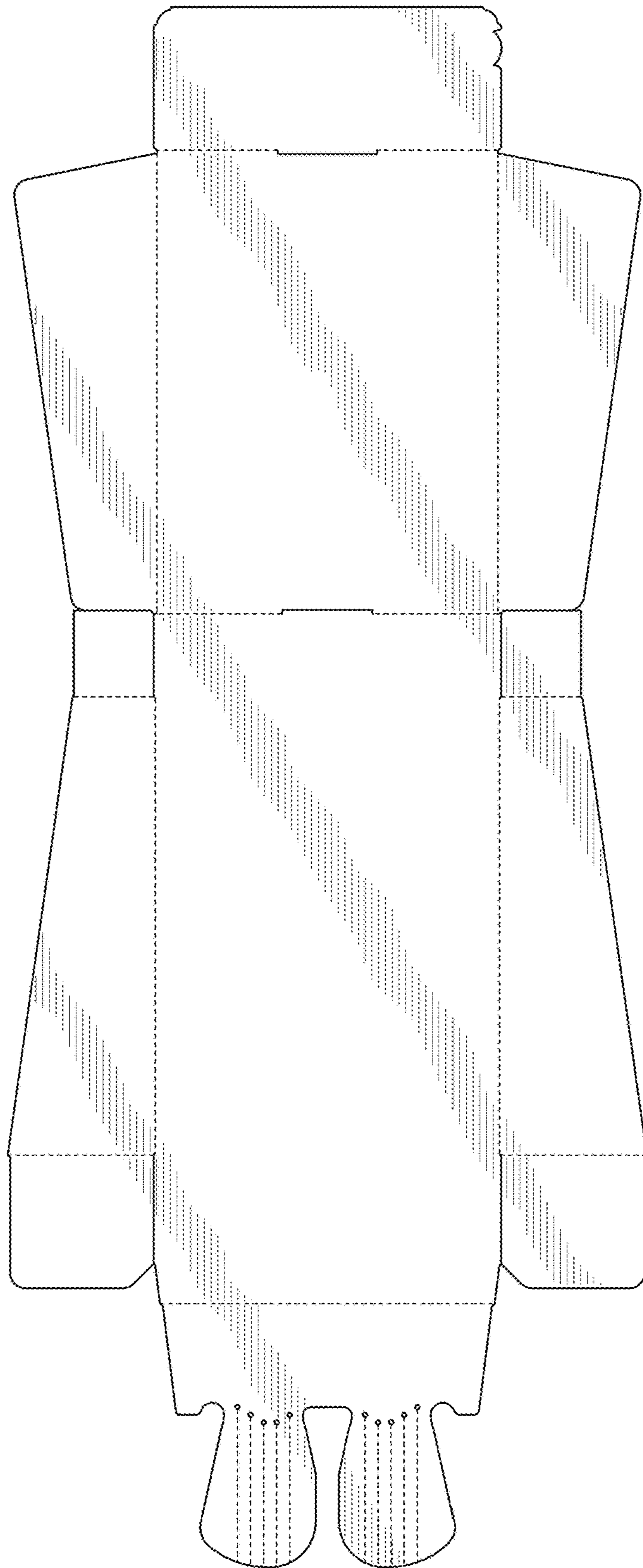


FIG. 3



FIG. 4



FIG. 5

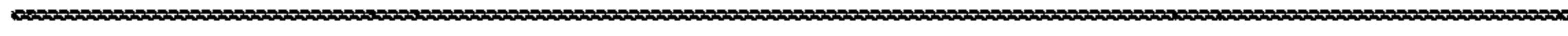


FIG. 6

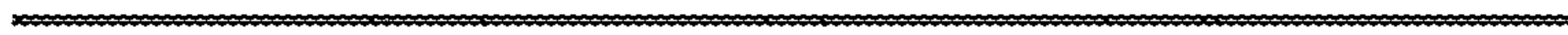


FIG. 7