



US00D928609S

(12) **United States Design Patent** (10) **Patent No.:** **US D928,609 S**
Perella et al. (45) **Date of Patent:** **** *Aug. 24, 2021**

(54) **FOLDABLE SNAP BOX**

(56) **References Cited**

(71) Applicant: **IdeaStream Consumer Products, LLC**, Cleveland, OH (US)

U.S. PATENT DOCUMENTS

(72) Inventors: **Daniel Perella**, Hudson, OH (US);
Vincent Thomson, Avon Lake, OH (US); **Anthony DeCarlo**, Las Vegas, NV (US)

D341,081	S	*	11/1993	Chiodo	206/455
6,332,538	B1	*	12/2001	Pritchard	B65D 5/241
					206/524.3
D764,282	S	*	8/2016	Stepanov	D9/432
D859,976	S	*	9/2019	Gales	D9/420
2004/0011861	A1	*	1/2004	Wozniacki	B65D 5/241
					229/147
2012/0037693	A1	*	2/2012	Wong	B65D 5/241
					229/186
2018/0127140	A1	*	5/2018	Perella	B65D 5/3642
2018/0244424	A1	*	8/2018	Perella	B65D 5/3664

(73) Assignee: **IdeaStream Consumer Products, LLC**, Cleveland, OH (US)

(*) Notice: This patent is subject to a terminal disclaimer.

* cited by examiner

(**) Term: **15 Years**

Primary Examiner — Lilyana Bekic

Assistant Examiner — Mary Shannon Malley

(21) Appl. No.: **29/631,684**

(74) *Attorney, Agent, or Firm* — Ulmer & Berne LLP; Brian Turung; Eric Robbins

(22) Filed: **Jan. 2, 2018**

(51) **LOC (13) Cl.** **09-01**

(57) **CLAIM**

(52) **U.S. Cl.**

The ornamental design for a foldable snap box, as shown and described.

USPC **D9/433**

(58) **Field of Classification Search**

DESCRIPTION

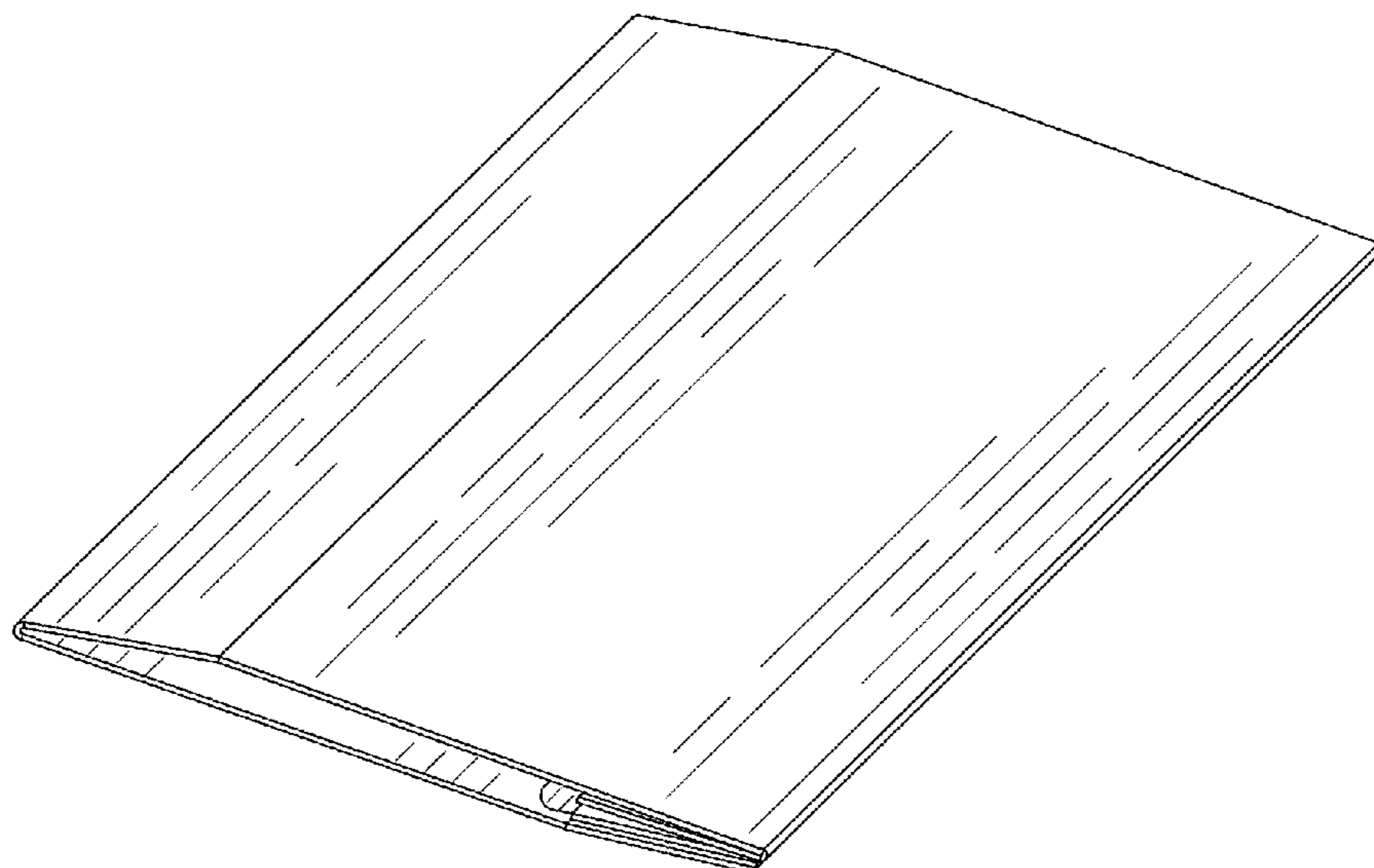
USPC D24/201–202, 205–206, 217–219,
D24/221–227, 230, 232–234, 238, 239,
D24/242, 269, 271, 271.9, 271.11,
D24/271.12, 271.4, 273–274, 276,
D24/282–288, 290–291, 293–304, 306,
D24/315, 317, 321, 323, 900;
D9/420–433, 414, 415, 416, 418;
D7/601, 609; D27/186; 206/543, 549,
206/66

FIG. 1 is a front perspective view of a foldable snap box of the present application in a folded and unassembled configuration;
FIG. 2 is a front perspective view thereof in an unfolded and unassembled configuration;
FIG. 3 is a front perspective view thereof in a partially folded and assembled configuration;
FIG. 4 is a front perspective view thereof in a folded and assembled configuration with the lid open;
FIG. 5 is a front perspective view thereof with the lid partially closed; and,
FIG. 6 is a front perspective view thereof with the lid closed.

CPC B65D 5/3664; B65D 5/241; B65D 5/2052;
B65D 5/6673; B65D 1/00; B65D 1/22;
B65D 1/225; B65D 5/00; B65D 5/66;
B65D 5/665; B65D 5/42; B65D 5/6605;
B65D 43/162; B65D 81/3813; B65D
81/3848; B31B 50/814; B31B 50/0044;
B31B 50/62; B31B 50/73

See application file for complete search history.

1 Claim, 6 Drawing Sheets



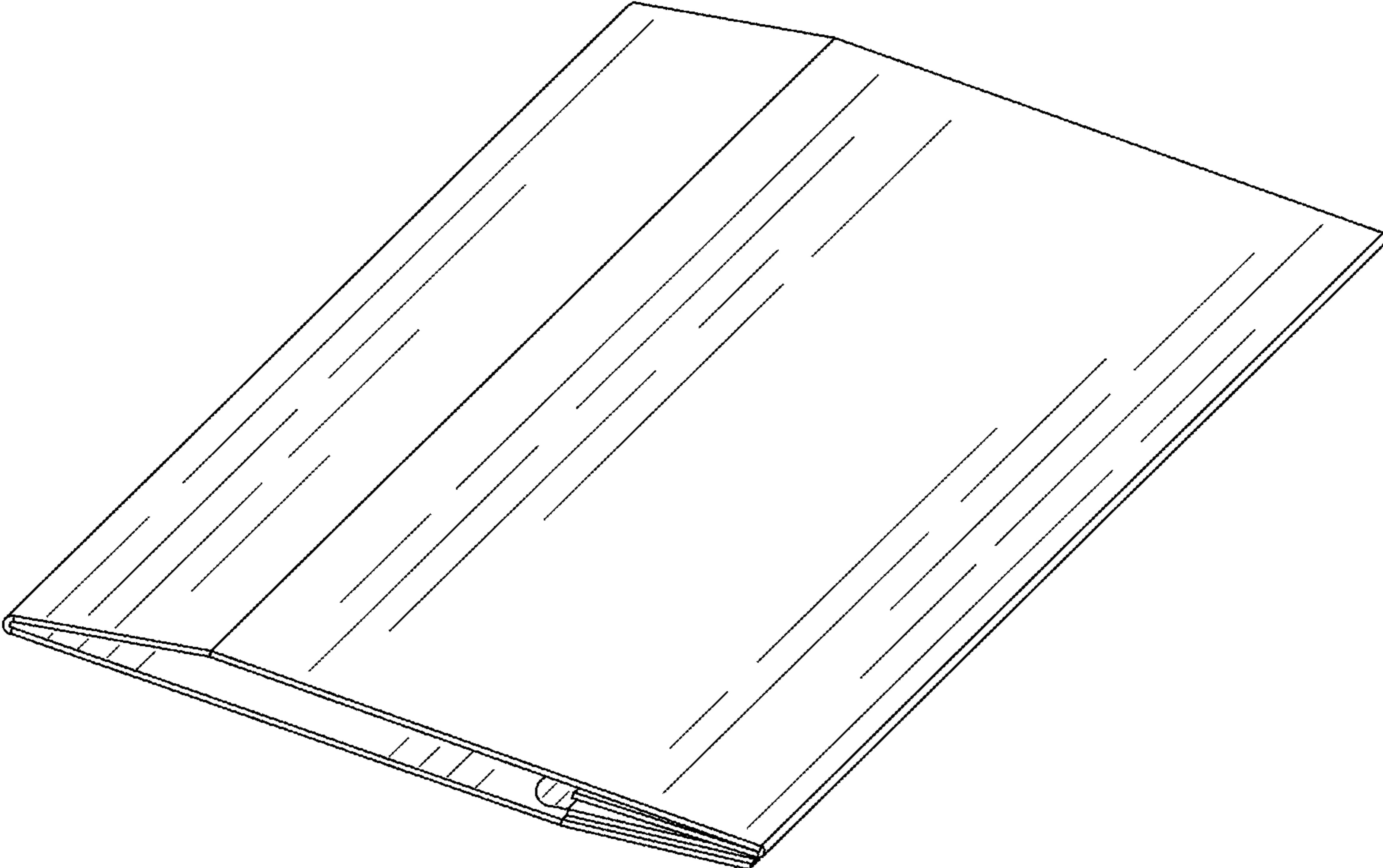


FIG. 1

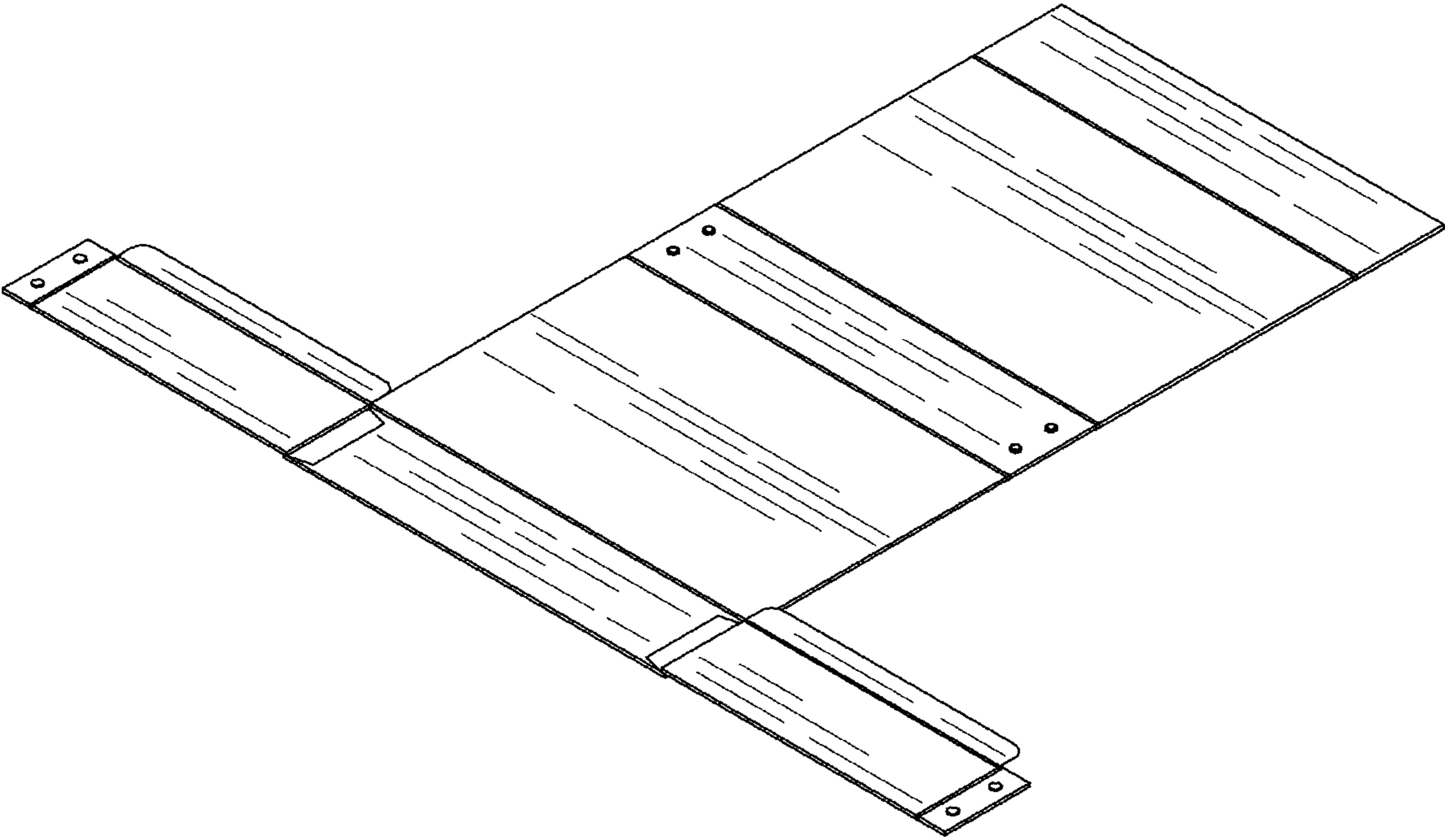


FIG. 2

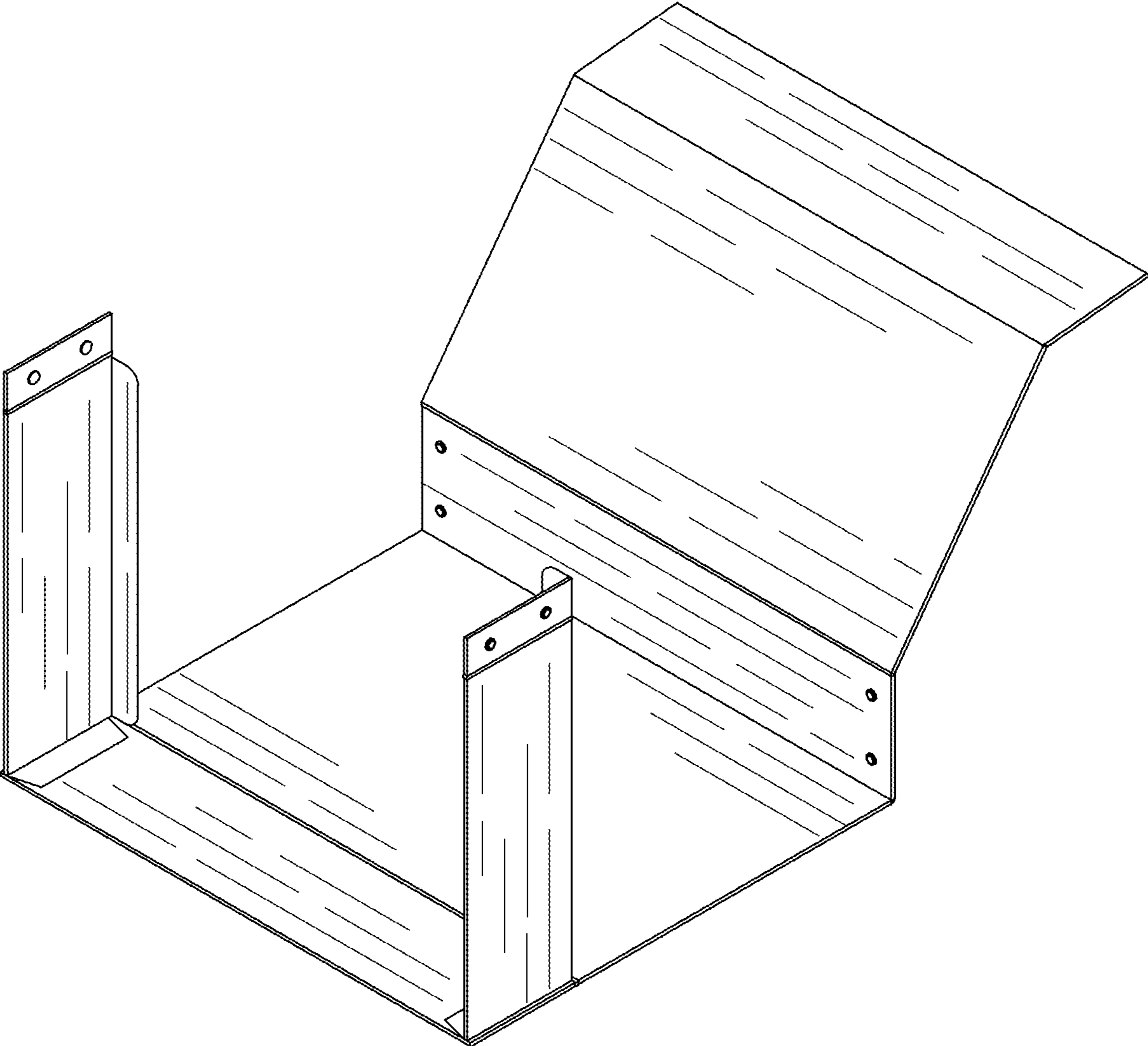


FIG. 3

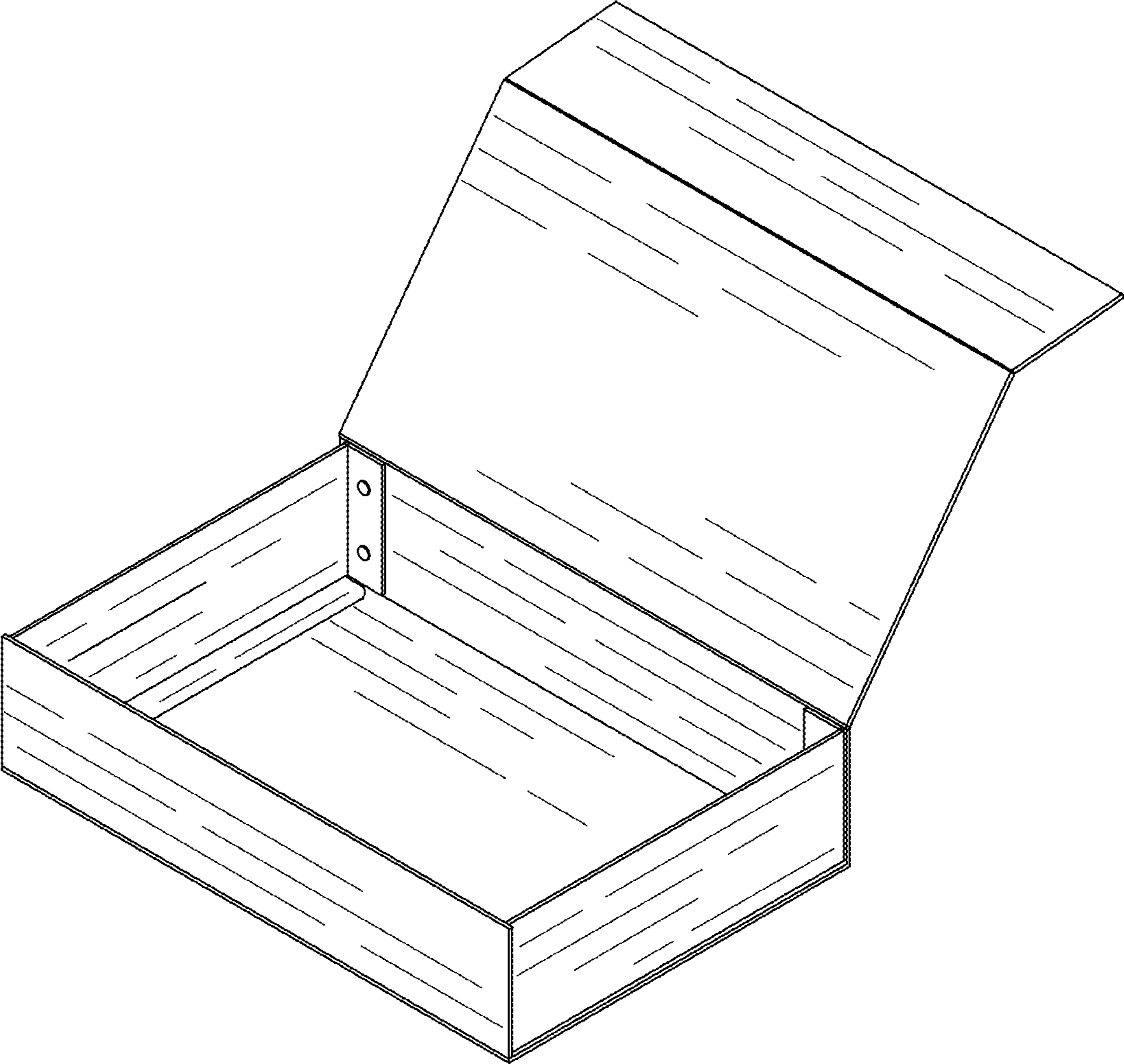


FIG. 4

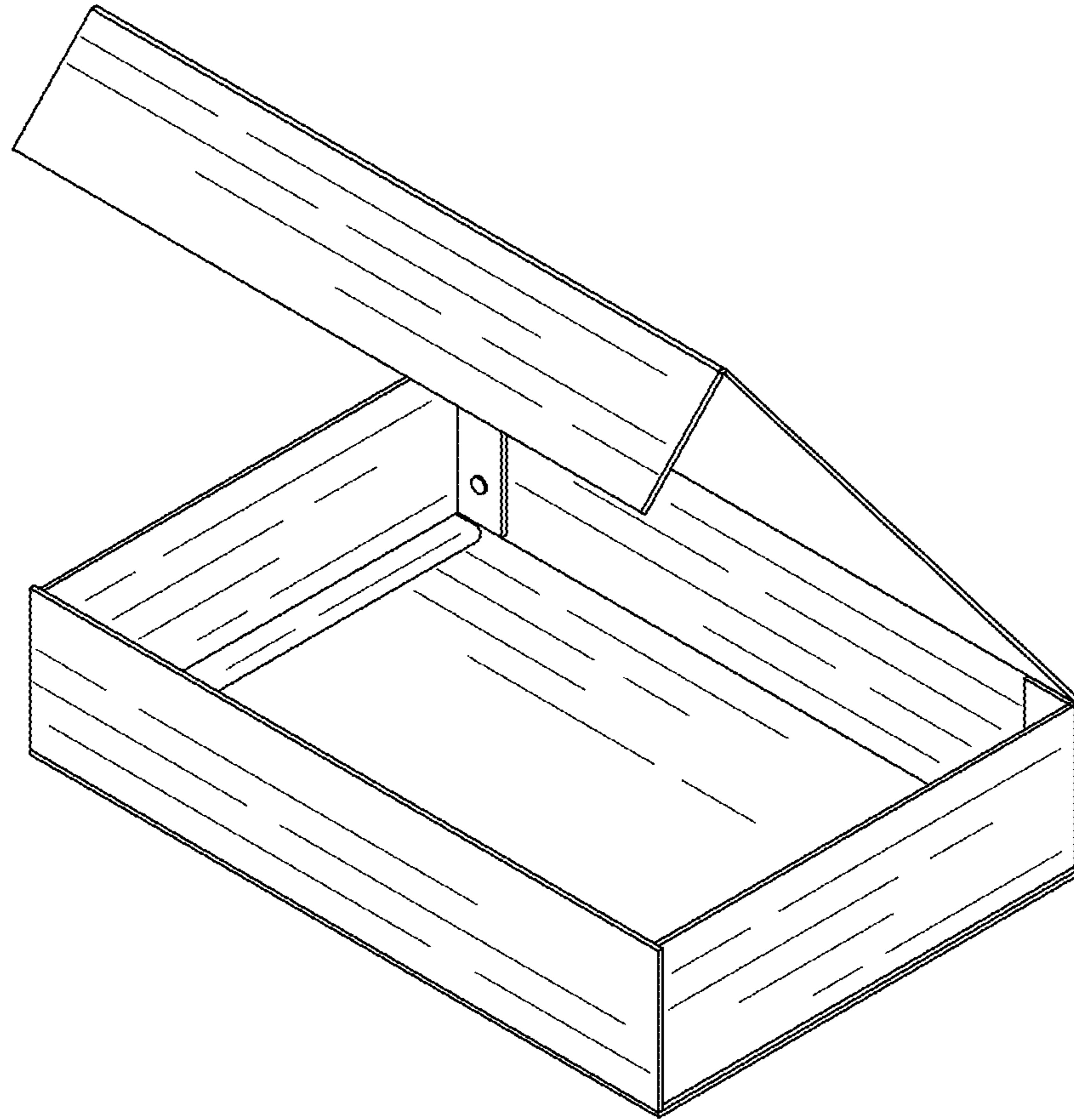


FIG. 5

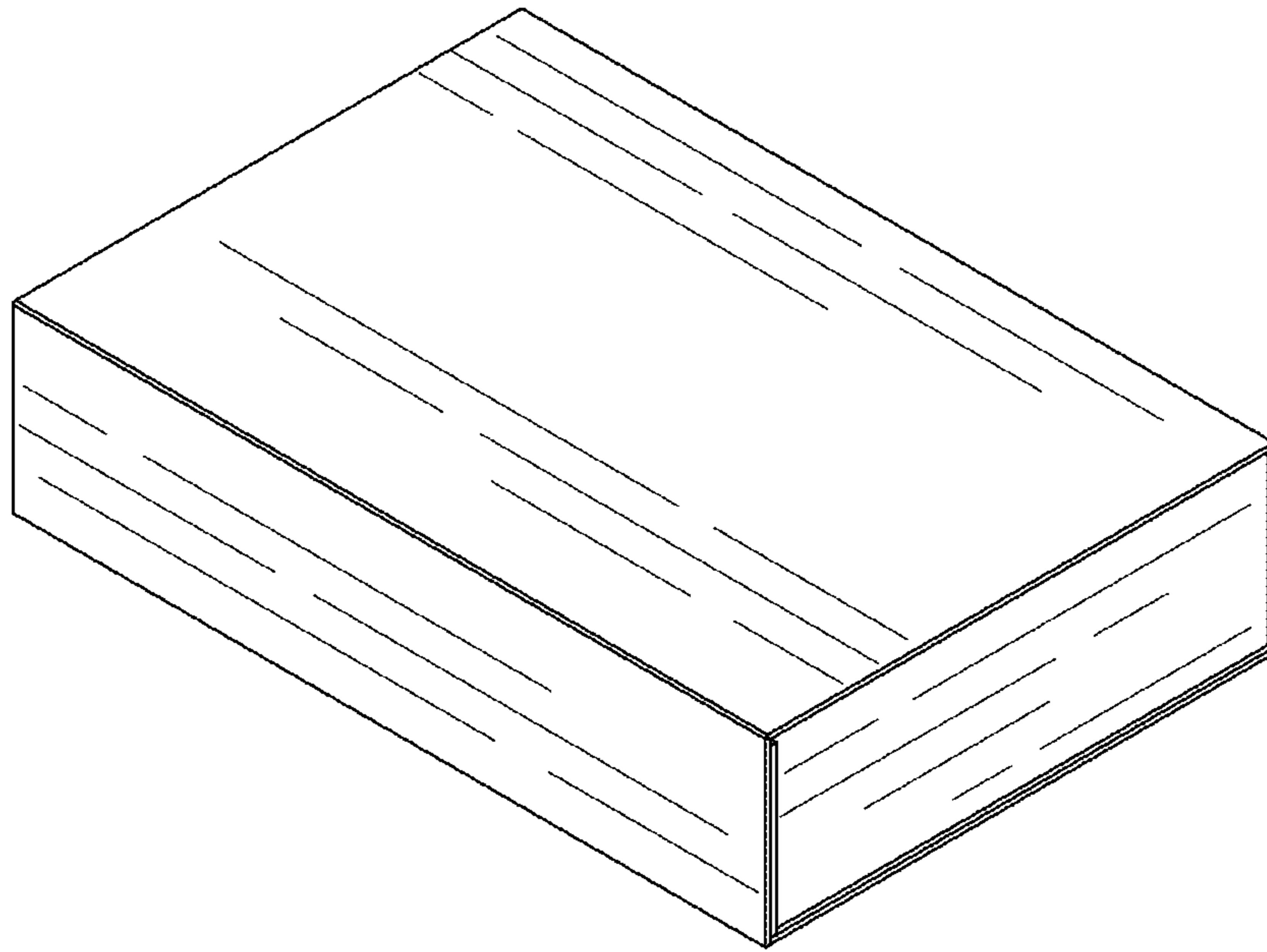


FIG. 6