



US00D928606S

(12) **United States Design Patent** (10) **Patent No.:** **US D928,606 S**
Denison et al. (45) **Date of Patent:** **** Aug. 24, 2021**

(54) **RECLOSABLE PACKAGING**

(71) Applicant: **Kraft Foods Group Brands LLC**,
Chicago, IL (US)
(72) Inventors: **Joseph C. Denison**, Chicago, IL (US);
Stuart M. Leslie, Larchmont, NY (US);
Jason Billig, Thornwood, NY (US)
(73) Assignee: **Kraft Foods Group Brands LLC**,
Chicago, IL (US)

(**) Term: **15 Years**

(21) Appl. No.: **29/745,871**

(22) Filed: **Aug. 10, 2020**

Related U.S. Application Data

(62) Division of application No. 29/672,931, filed on Dec.
10, 2018, now Pat. No. Des. 892,611.

(51) **LOC (13) Cl.** **09-03**

(52) **U.S. Cl.**
USPC **D9/425**

(58) **Field of Classification Search**

USPC D9/414, 415, 418, 424, 425, 426, 430;
D7/601, 602, 629, 630

CPC B65D 2543/00296; B65D 5/4204; B65D
1/34; B65D 25/54; B65D 2543/00731;
B65D 85/34; B65D 5/5021; B65D
81/3453; B65D 2205/00; B65D
2543/0024; B65D 25/10; B65D 43/021;
B65D 25/04; B65D 75/366; B65D
77/003; B65D 77/02; B65D 5/4295;
B65D 5/5038; B65D 1/0207; B65D
2543/00648; B65D 81/263; B65D 1/38;
B65D 2577/205; B65D 2543/00759;
B65D 71/70; B65D 2543/00231; B65D
43/02; B65D 5/2047; B65D 1/0223;
B65D 1/40; B65D 75/522; B65D
81/3216; B65D 2519/00273; B65D
75/322; B65D 15/22; B65D 2519/00034

See application file for complete search history.

(56) **References Cited**

U.S. PATENT DOCUMENTS

D286,729 S * 11/1986 Tzifkansky D7/629
4,787,527 A * 11/1988 Monetti B65D 43/022
220/557
D336,613 S * 6/1993 Zutler D9/423
D482,277 S * 11/2003 Castellanos D9/418
D483,664 S * 12/2003 Cadiente D9/418
D528,014 S * 9/2006 Cutts D9/761

(Continued)

Primary Examiner — Lauren R Calve

(74) *Attorney, Agent, or Firm* — Fitch, Even, Tabin &
Flannery LLP

(57) **CLAIM**

The ornamental design for a reclosable packaging, as shown
and described.

DESCRIPTION

FIG. 1 is a perspective view of a reclosable packaging
showing our new design.

FIG. 2 is a top view thereof.

FIG. 3 is a front view thereof.

FIG. 4 is a left side view thereof.

FIG. 5 is a rear view thereof.

FIG. 6 is a right side view thereof.

FIG. 7 is a bottom view thereof.

FIG. 8 is a perspective view of a second embodiment of the
reclosable packaging showing our new design.

FIG. 9 is a top view thereof.

FIG. 10 is a front view thereof.

FIG. 11 is a left side view thereof.

FIG. 12 is a rear view thereof.

FIG. 13 is a right side view thereof; and,

FIG. 14 is a bottom view thereof.

Broken line disclosures are for illustrative purposes only and
form no part of the claimed design.

1 Claim, 4 Drawing Sheets

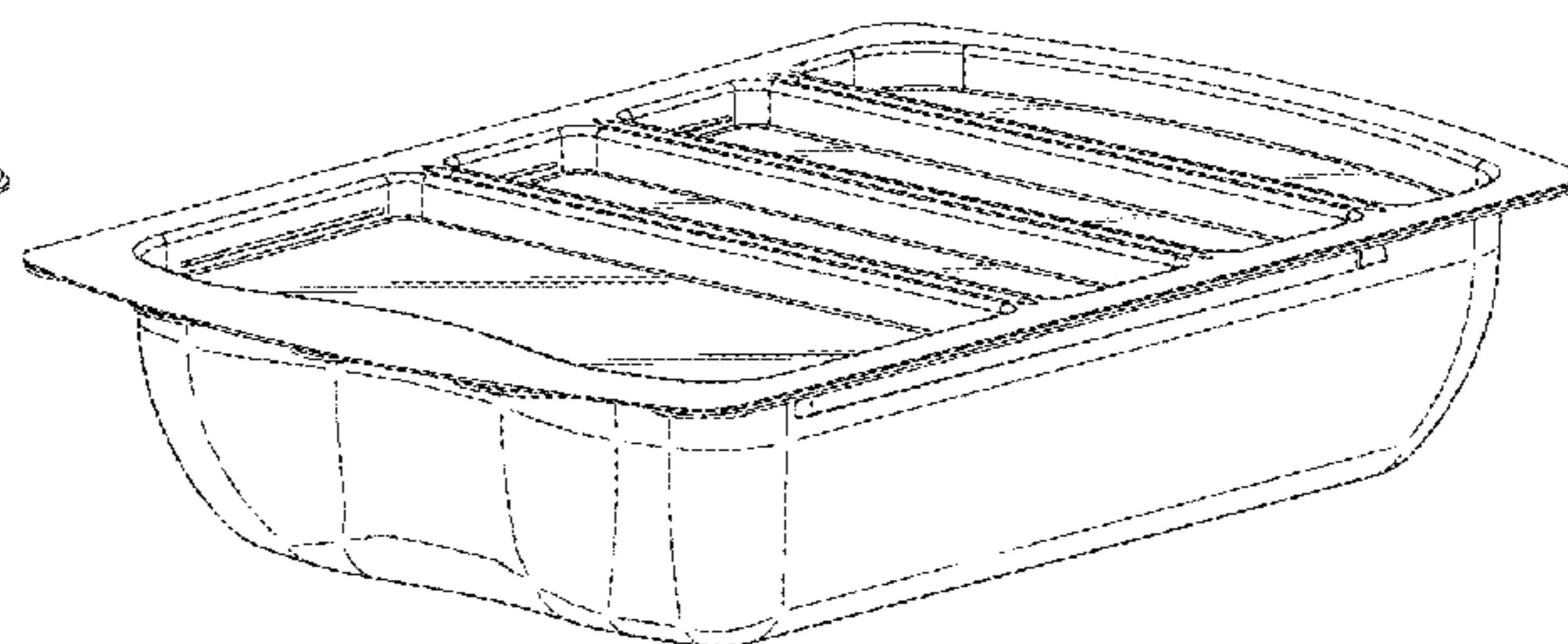
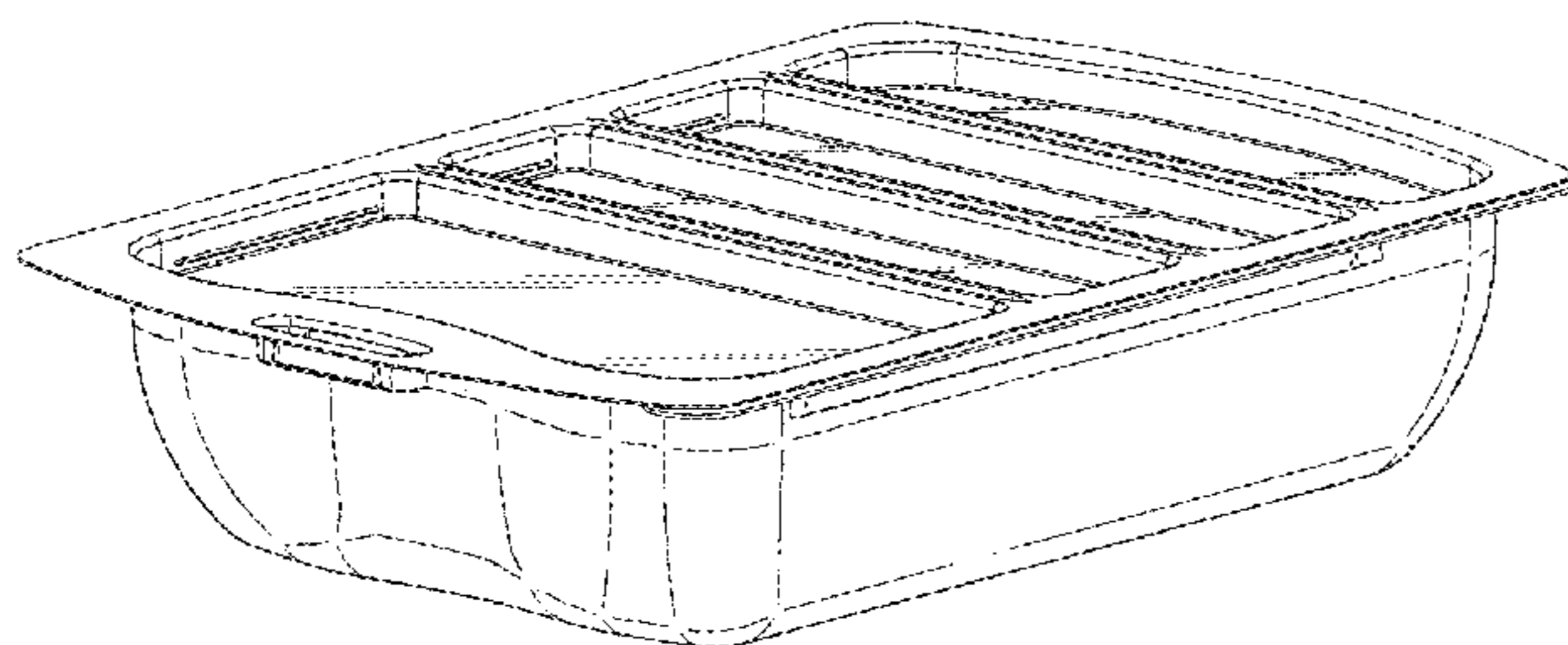


FIG. 1

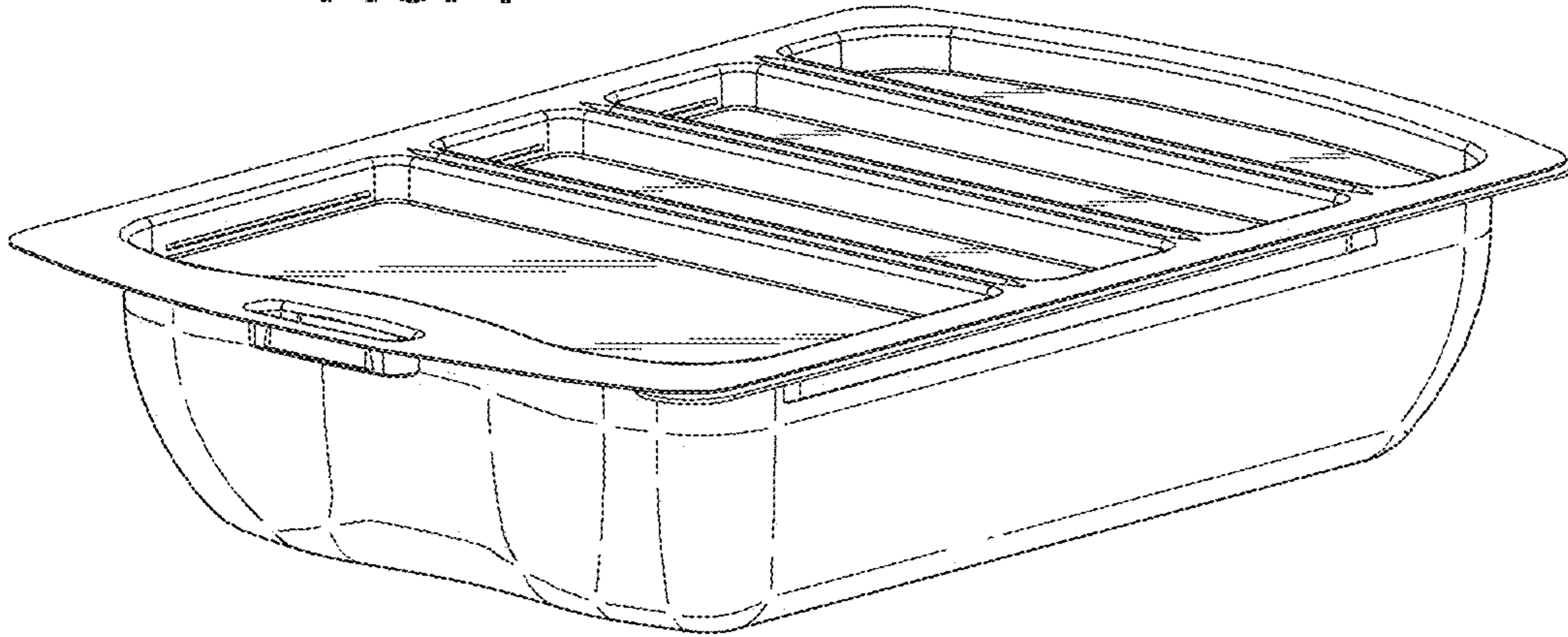


FIG. 2

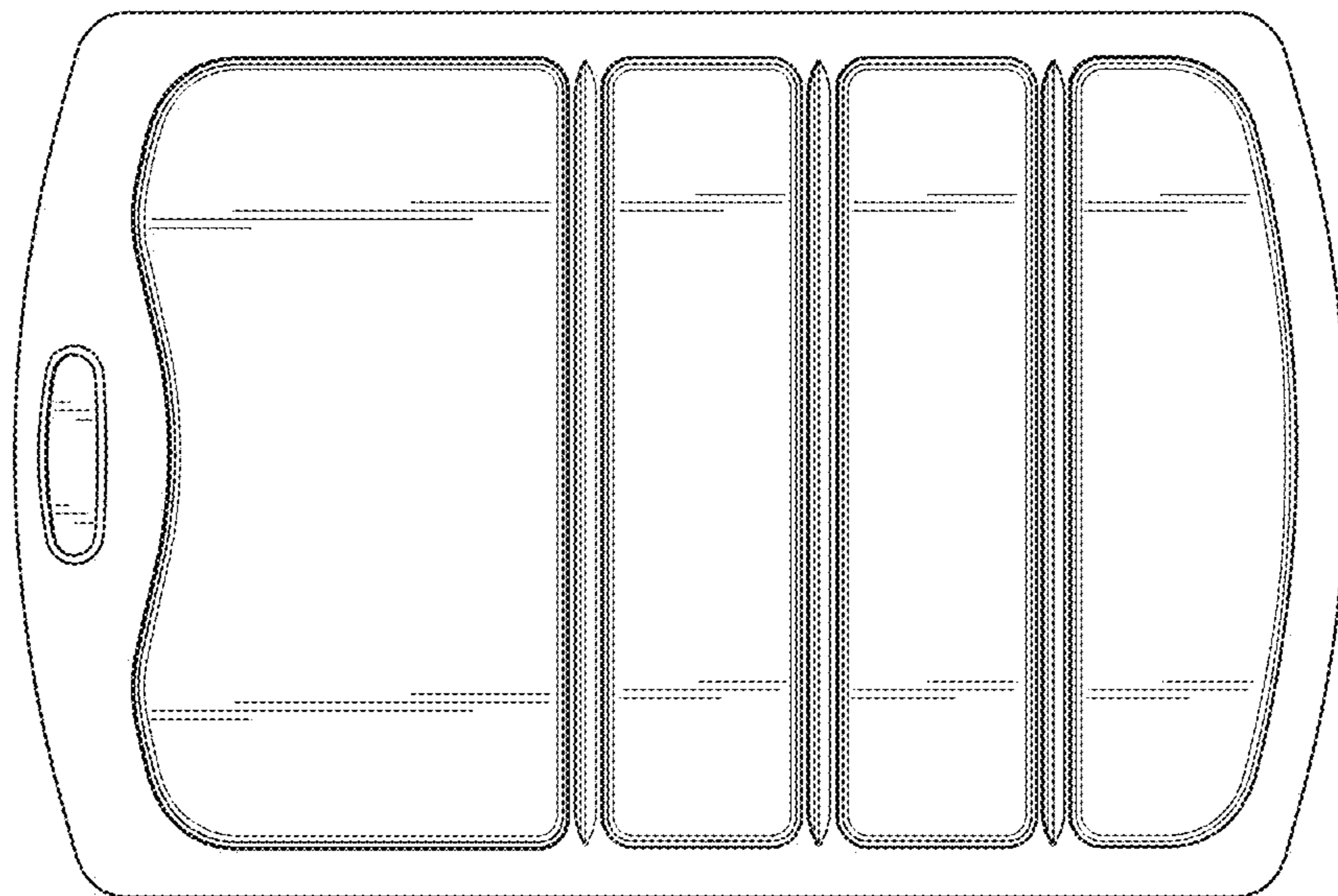


FIG. 3

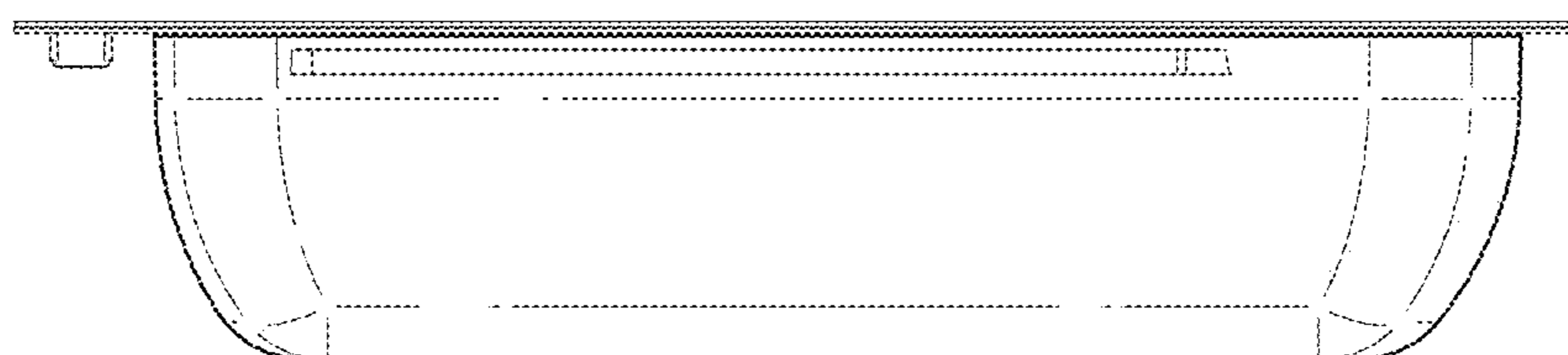


FIG. 4

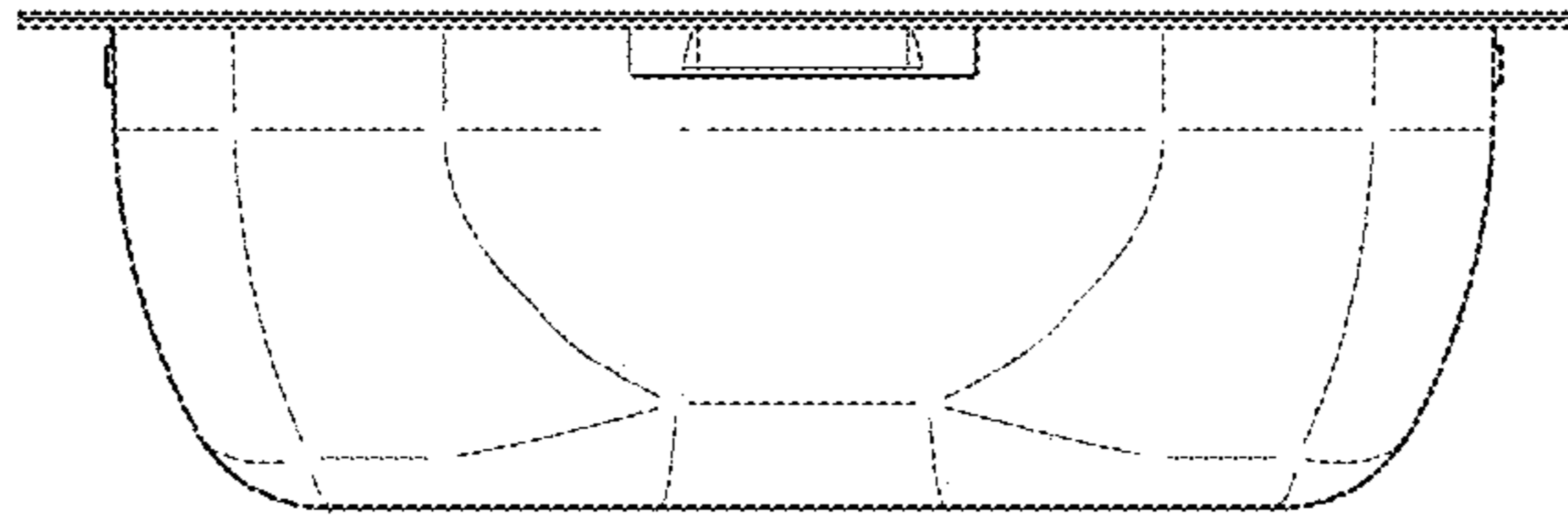


FIG. 5

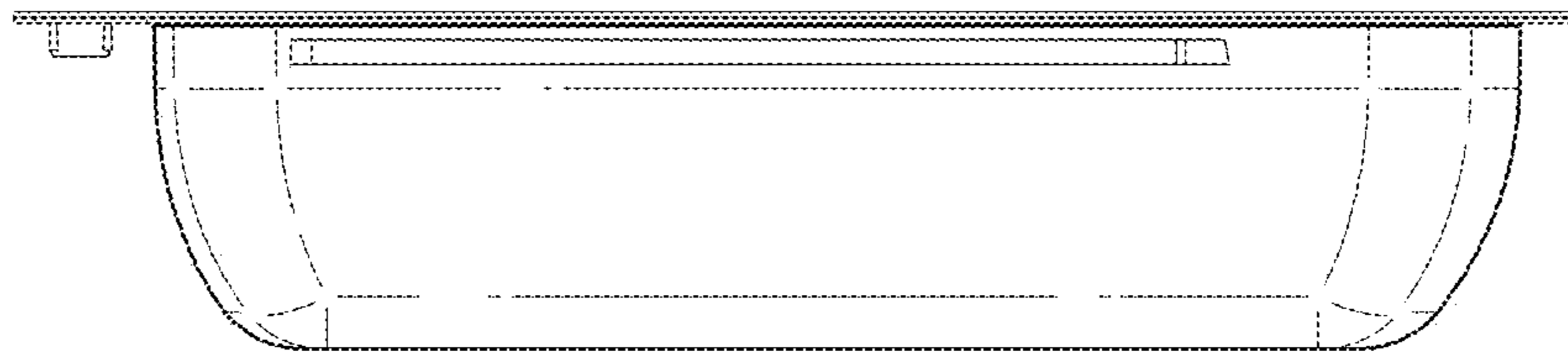


FIG. 6

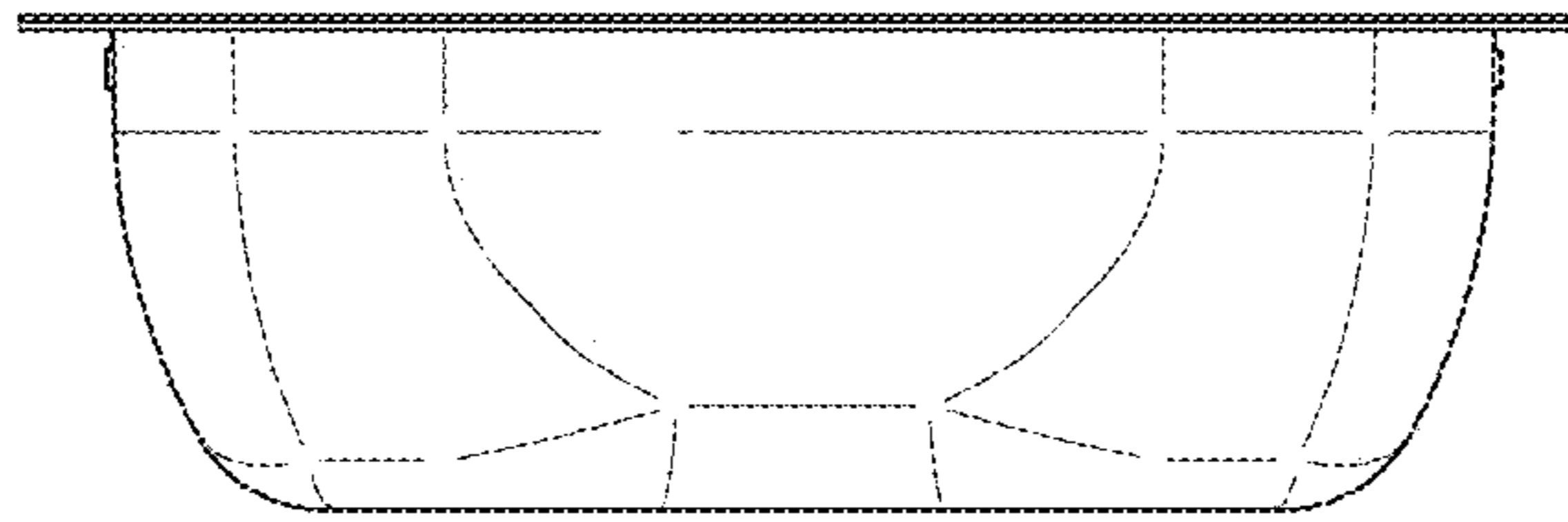


FIG. 7

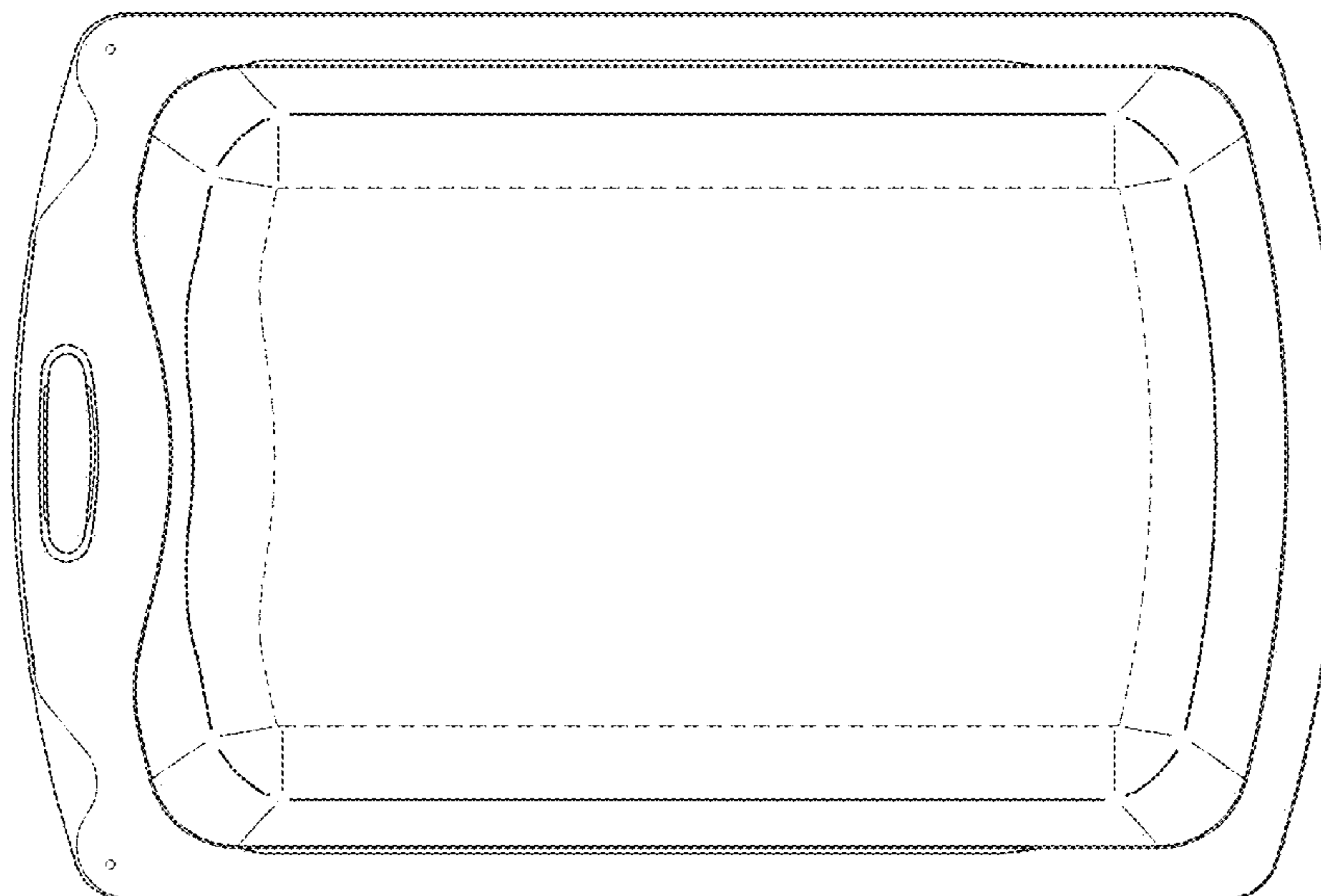


FIG. 8

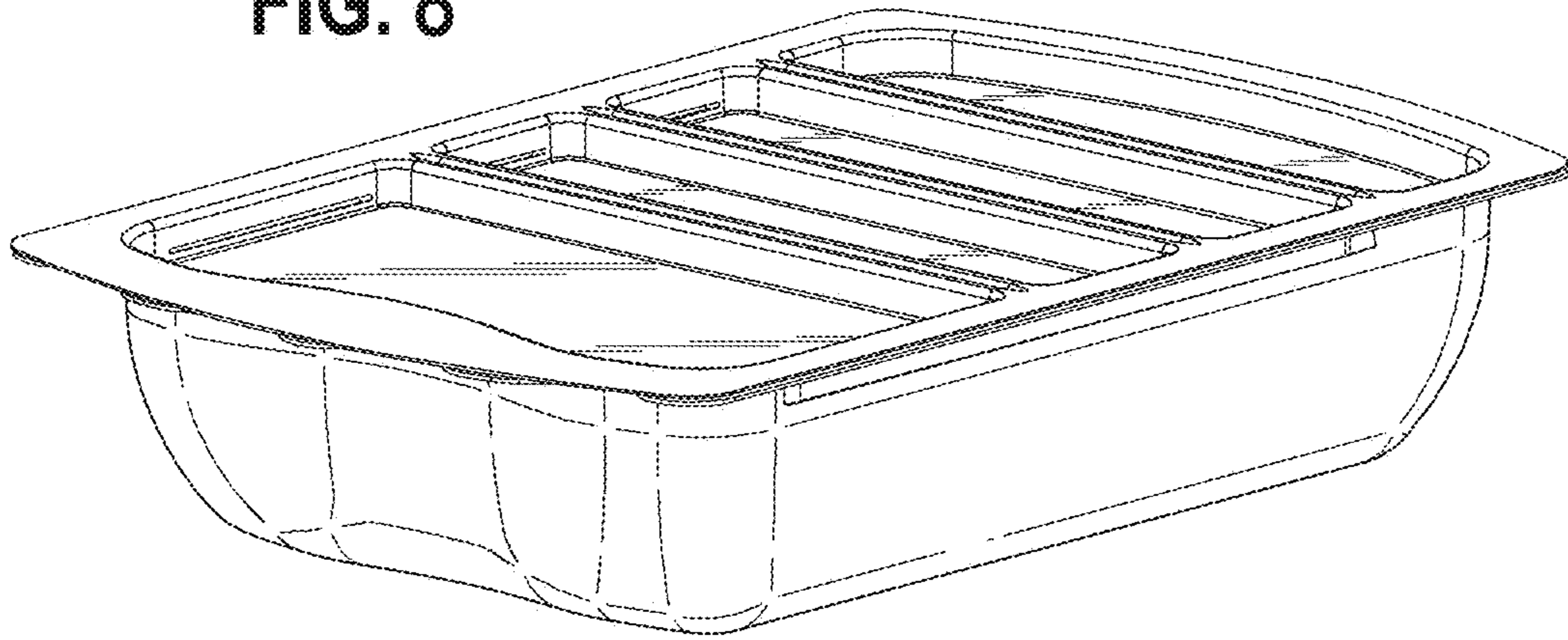


FIG. 9

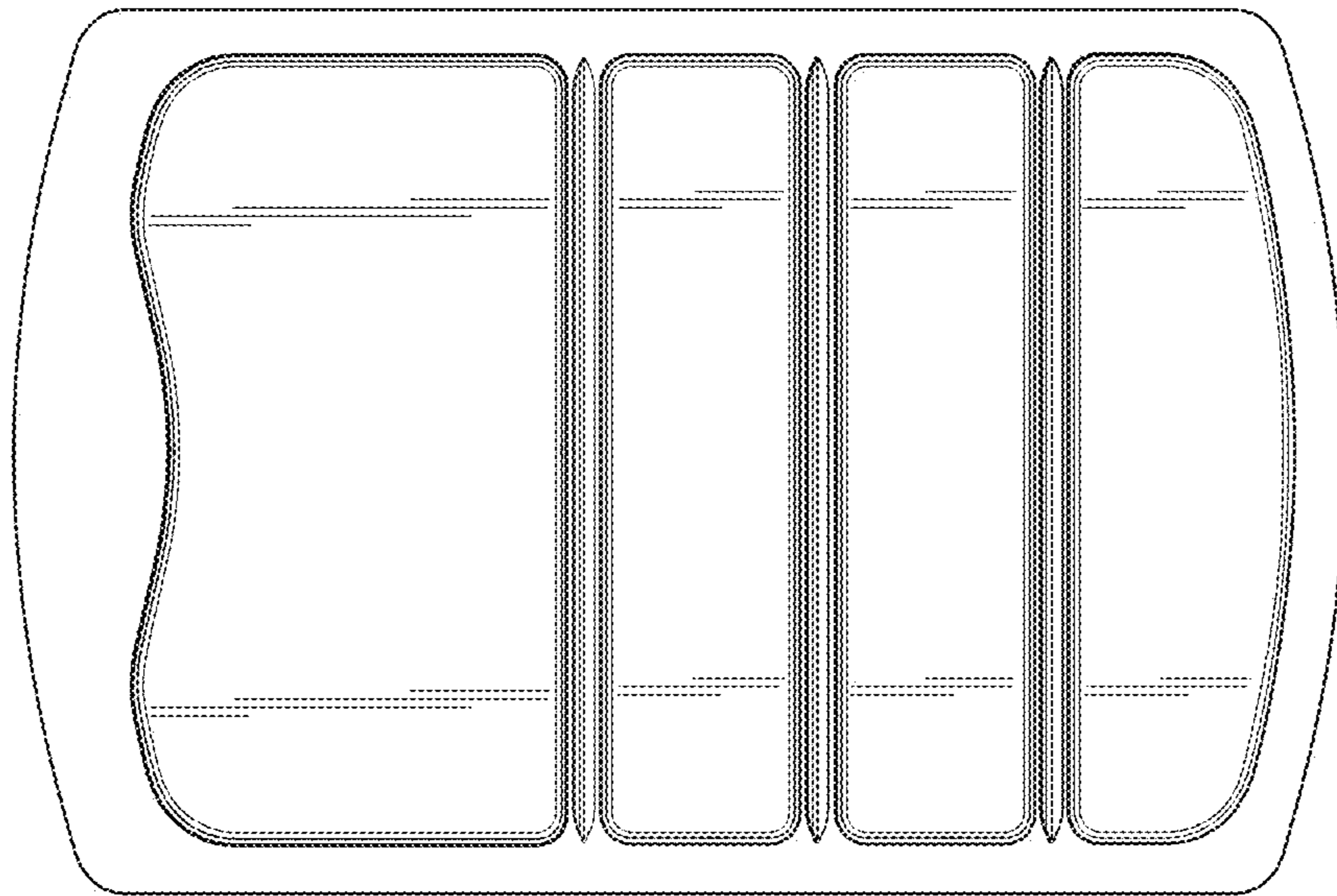


FIG. 10

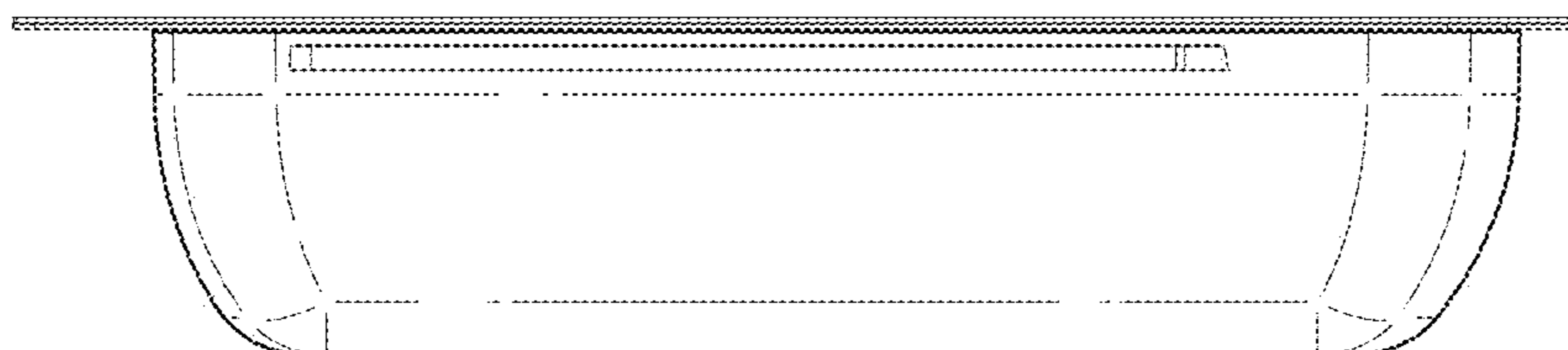


FIG. 11

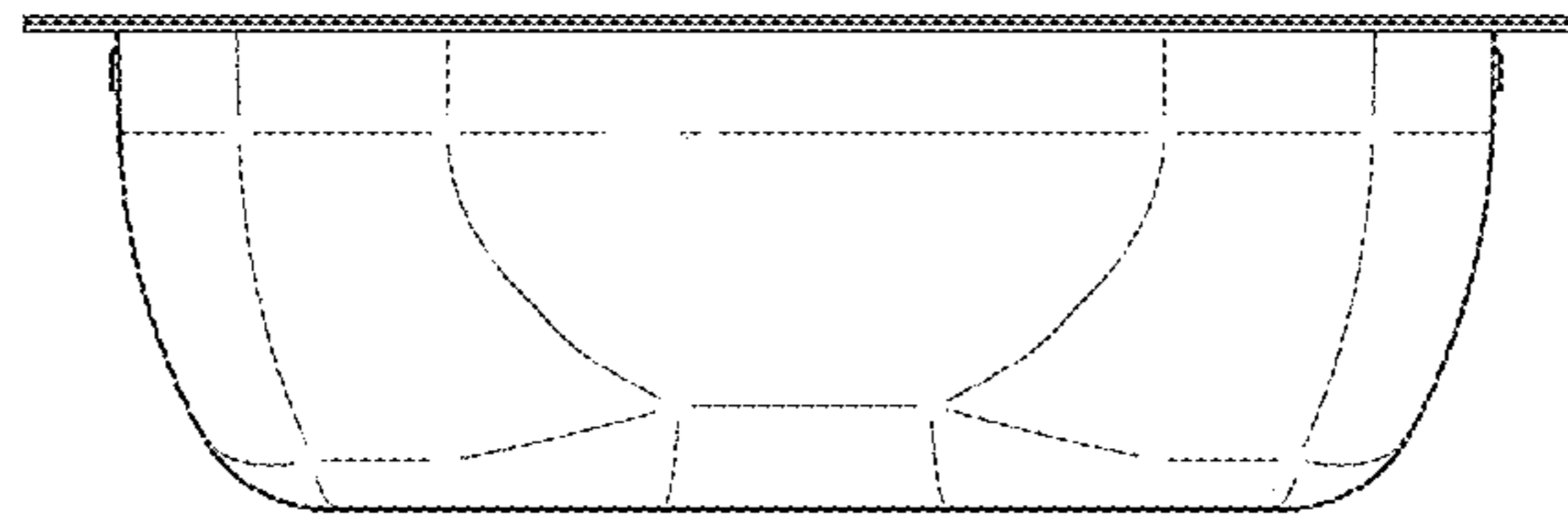


FIG. 12

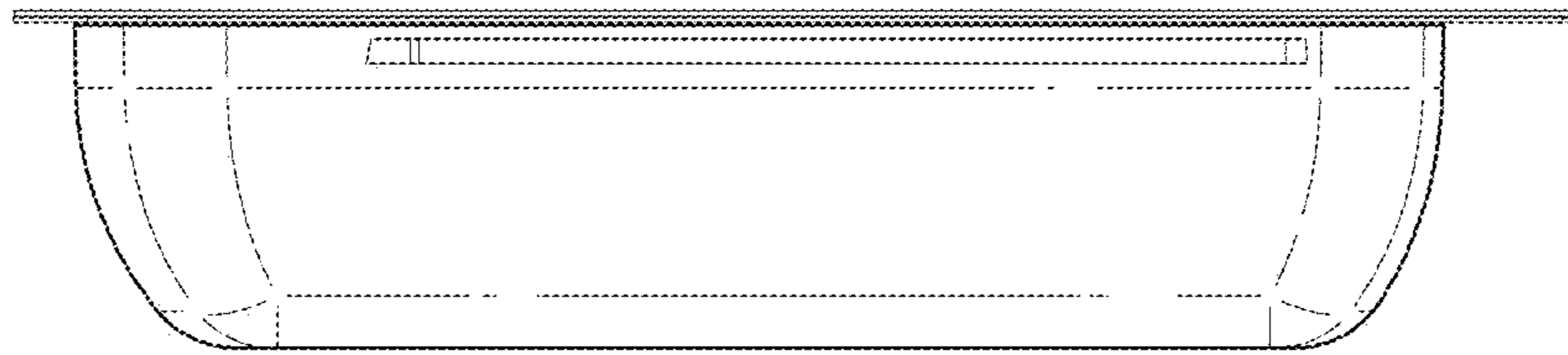


FIG. 13

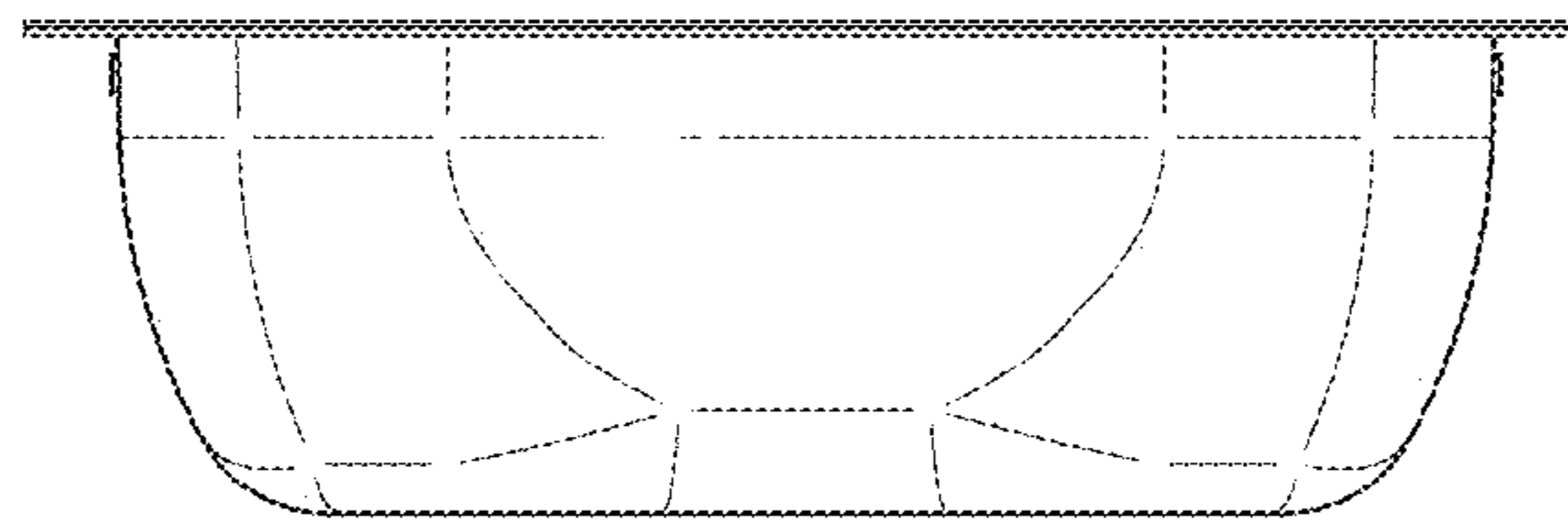


FIG. 14

