



US00D928605S

(12) **United States Design Patent**
Brown et al.

(10) **Patent No.:** **US D928,605 S**

(45) **Date of Patent:** **** Aug. 24, 2021**

(54) **CONTAINER**

(71) Applicant: **Pinnpack Packaging, LLC**, Oxnard, CA (US)

(72) Inventors: **Dean Brown**, Oxnard, CA (US); **Ira Maroofian**, Oxnard, CA (US)

(73) Assignee: **PINPACK PACKAGING LLC**, Oxnard, CA (US)

(**) Term: **15 Years**

(21) Appl. No.: **29/683,557**

(22) Filed: **Mar. 14, 2019**

(51) **LOC (13) Cl.** **09-03**

(52) **U.S. Cl.**
USPC **D9/425**

(58) **Field of Classification Search**
USPC D7/400, 601, 608; D9/416, 417, 420, D9/425-429, 430, 432, 761
CPC . B65D 1/26; B65D 1/40; B65D 5/243; B65D 81/3453; B65D 2581/34; B65D 2581/3404; B65D 2581/3456
See application file for complete search history.

(56) **References Cited**

U.S. PATENT DOCUMENTS

D361,035 S * 8/1995 Krupa D9/423
D363,879 S * 11/1995 Krupa D9/423

D382,795 S * 8/1997 Abayhan D9/425
D393,204 S * 4/1998 Goins D9/425
D449,522 S * 10/2001 Brown D9/425
D688,551 S * 8/2013 Wahl D9/426
D744,329 S * 12/2015 Ambelang D9/425
2009/0145900 A1* 6/2009 Maroofian B65D 43/0208
220/200

* cited by examiner

Primary Examiner — Janice Patyk

(74) *Attorney, Agent, or Firm* — Michael R. Shevlin

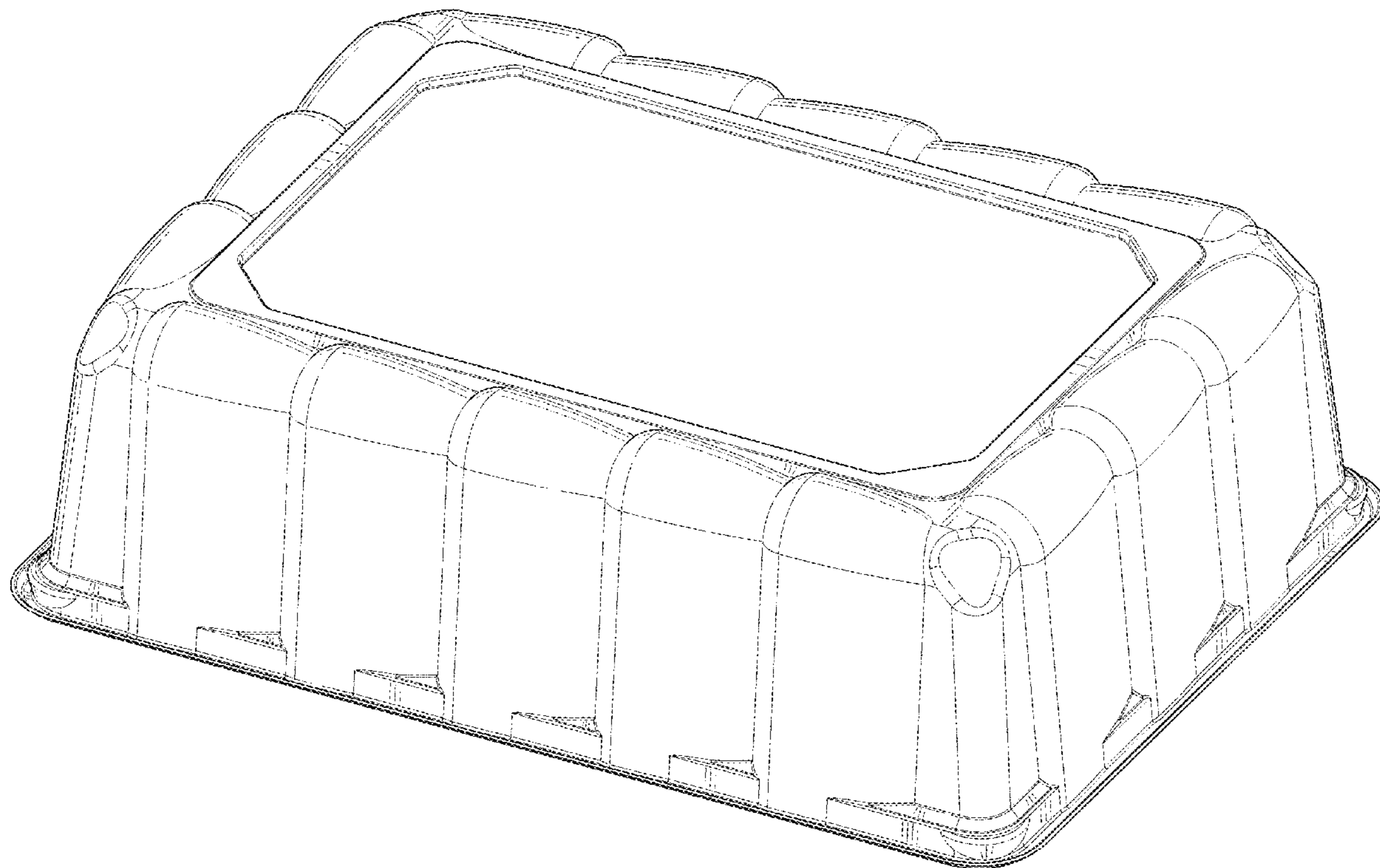
(57) **CLAIM**

The ornamental design for a container, as shown and described.

DESCRIPTION

FIG. 1 is a perspective view of a container, showing our new design;
FIG. 2 is a front view thereof;
FIG. 3 is a rear view thereof;
FIG. 4 is a right side view thereof;
FIG. 5 is a left side view thereof;
FIG. 6 is a top view thereof; and,
FIG. 7 is a bottom view thereof.

1 Claim, 7 Drawing Sheets



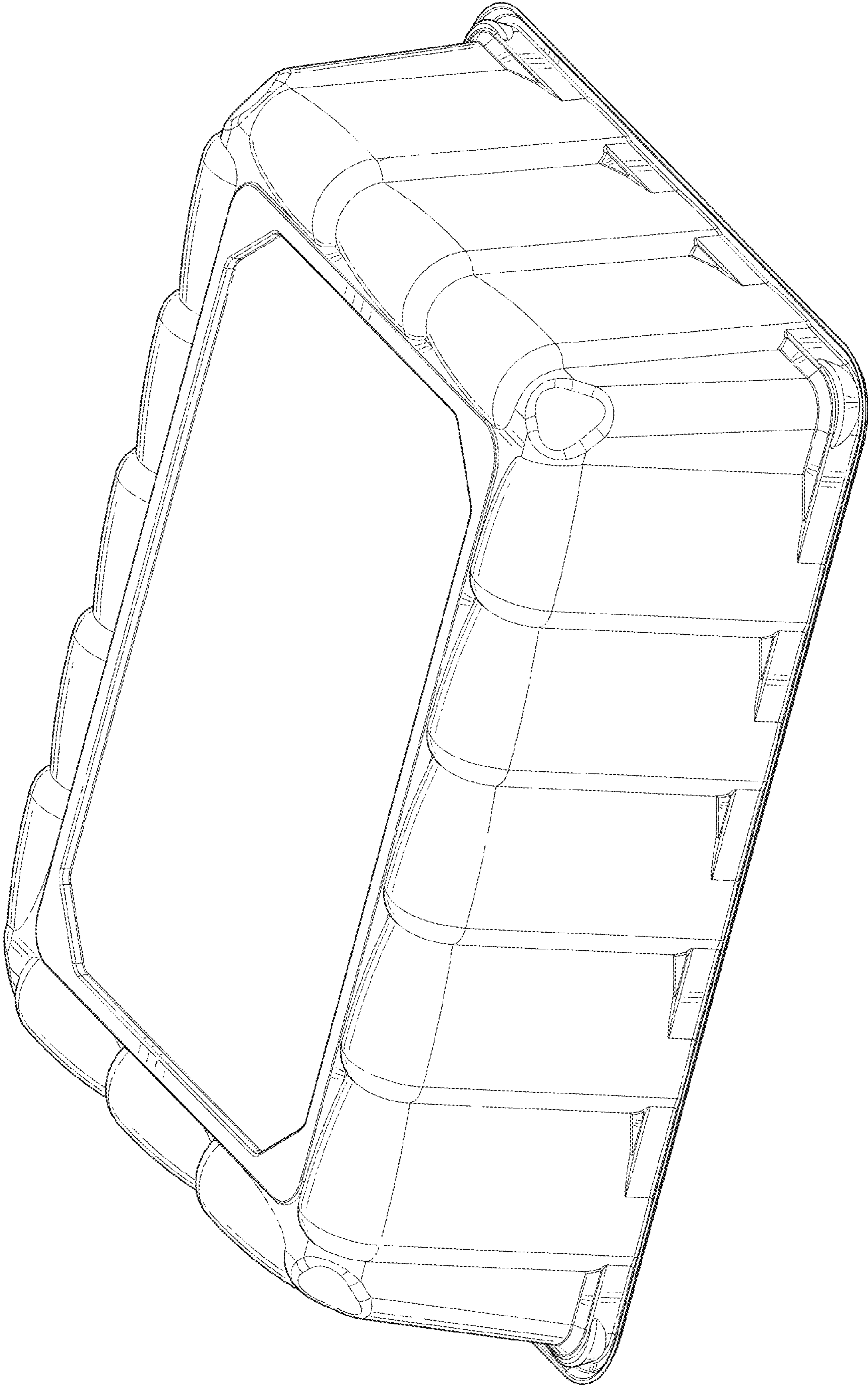


FIG. 1

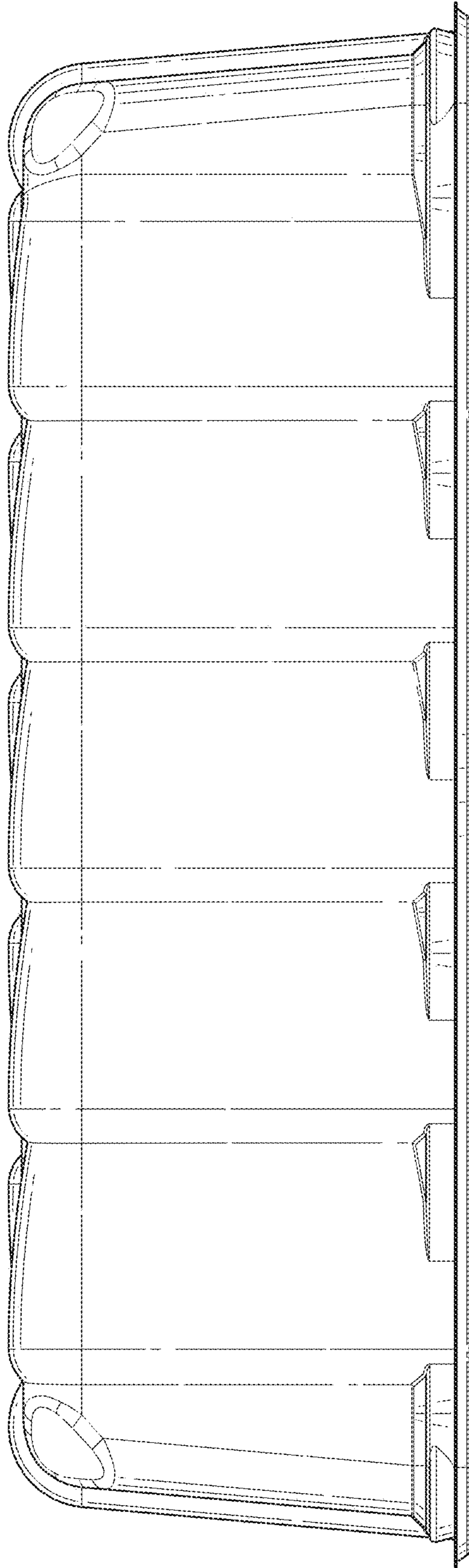


FIG. 2

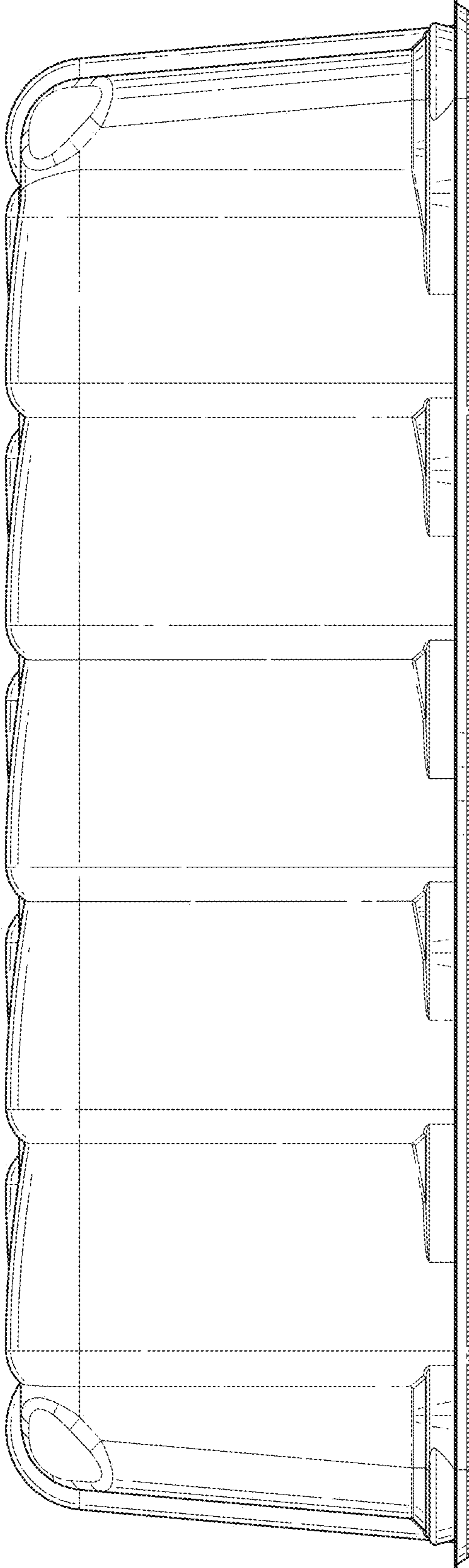


FIG. 3

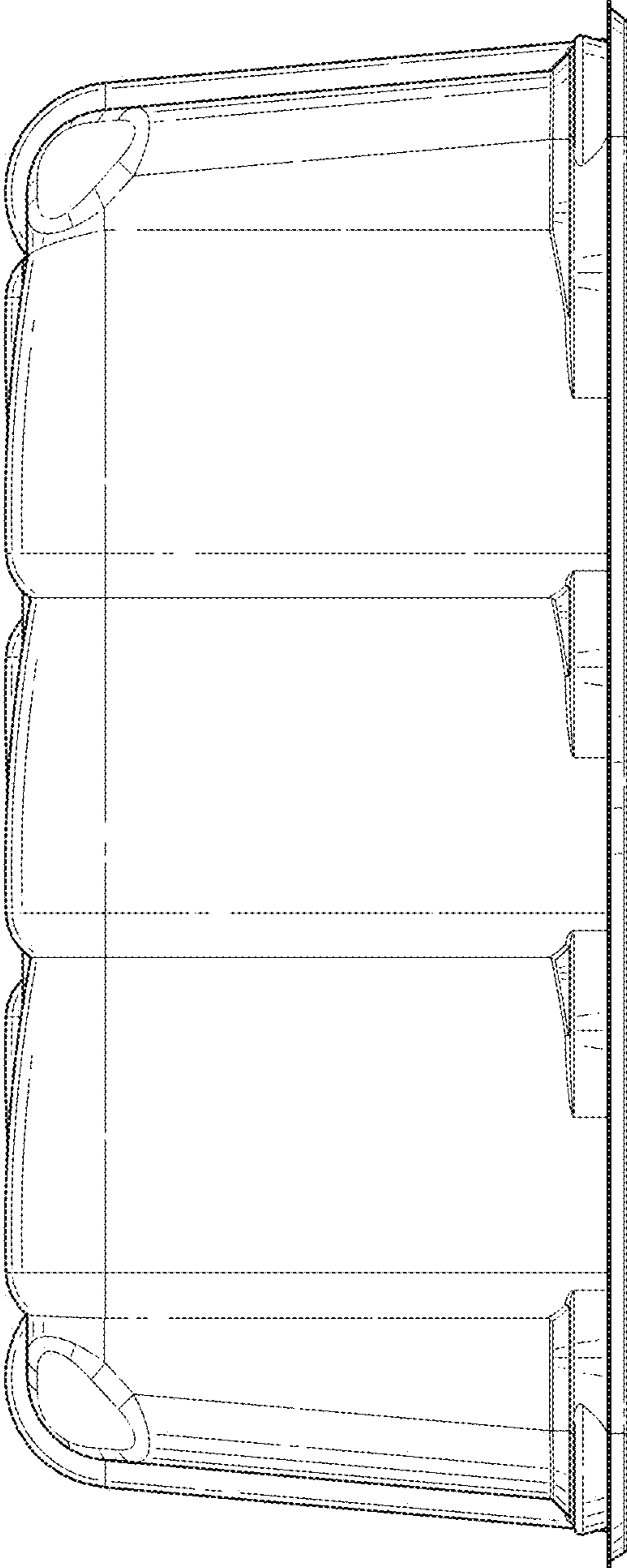


FIG. 4

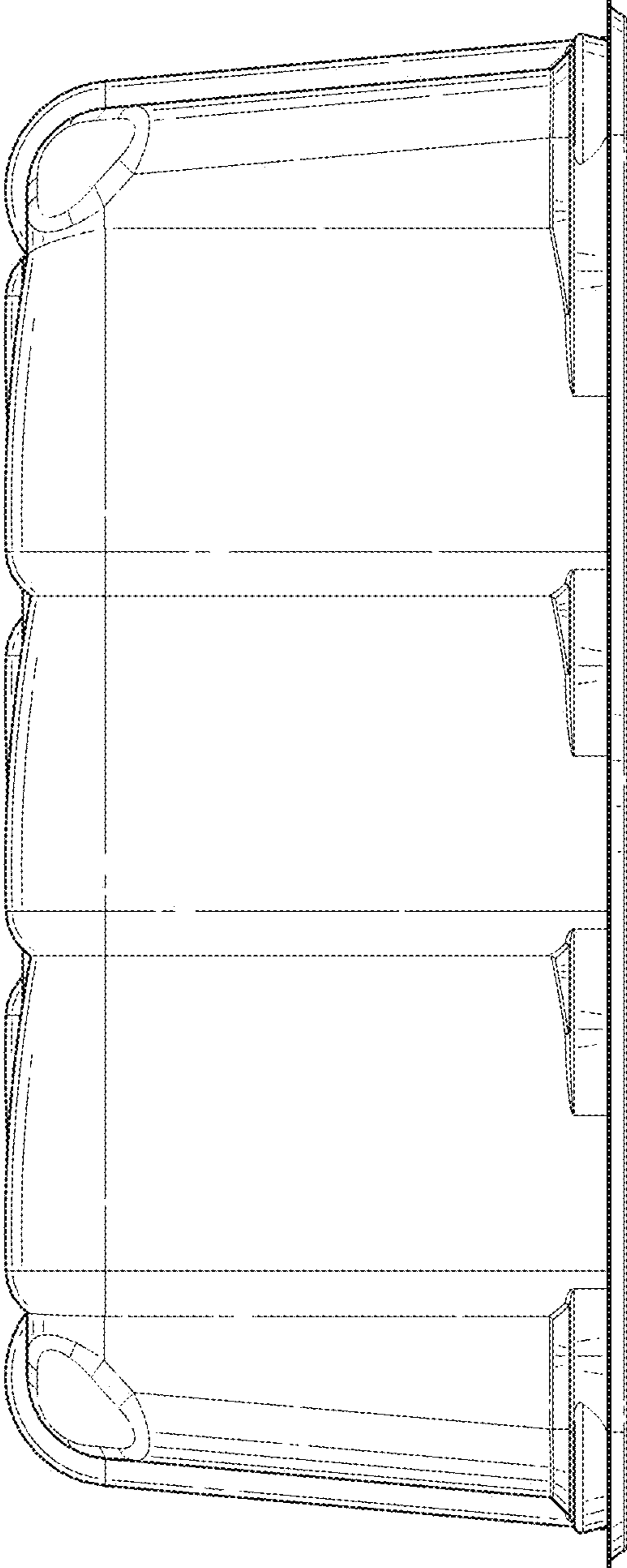


FIG. 5

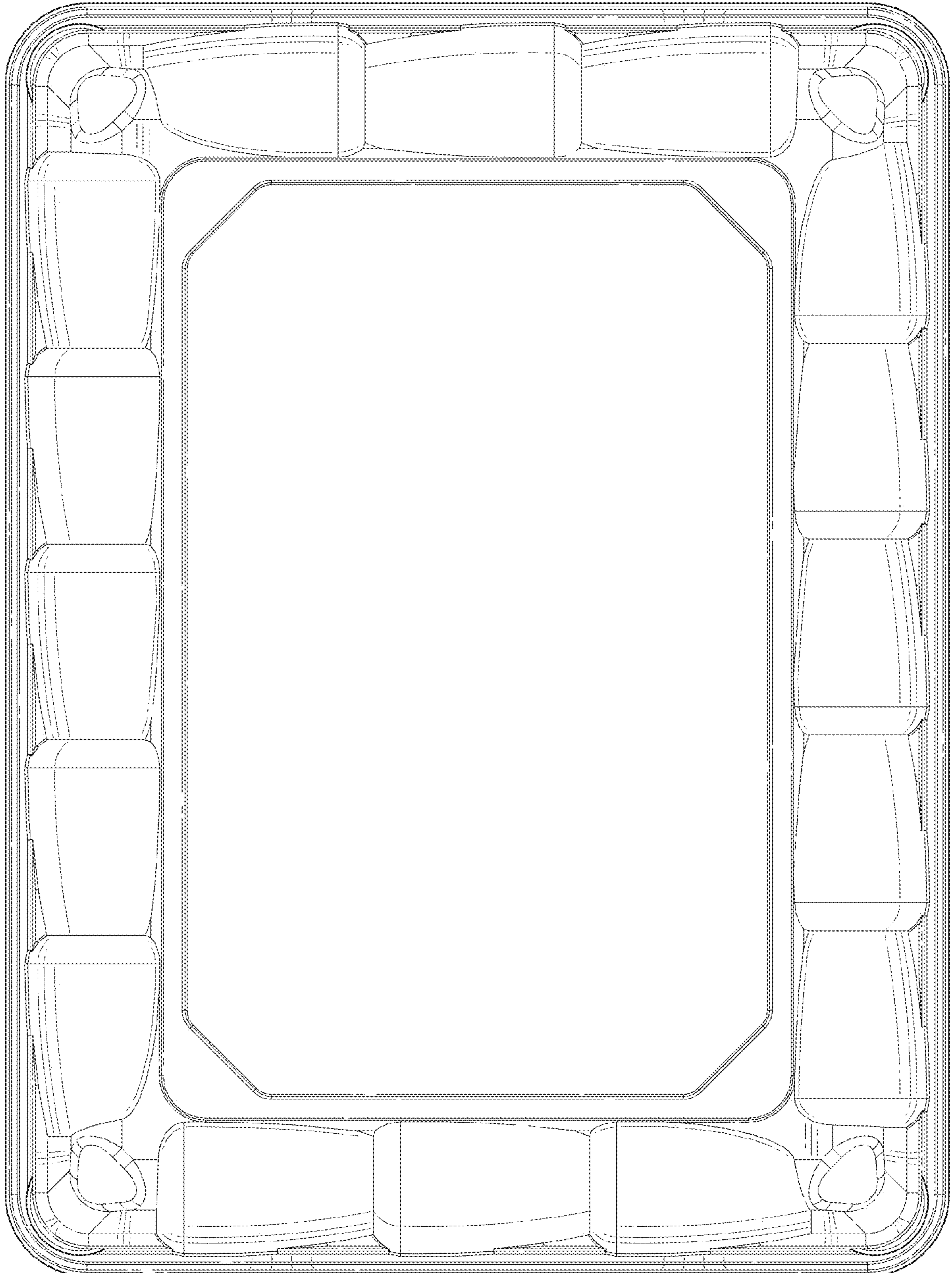


FIG. 6

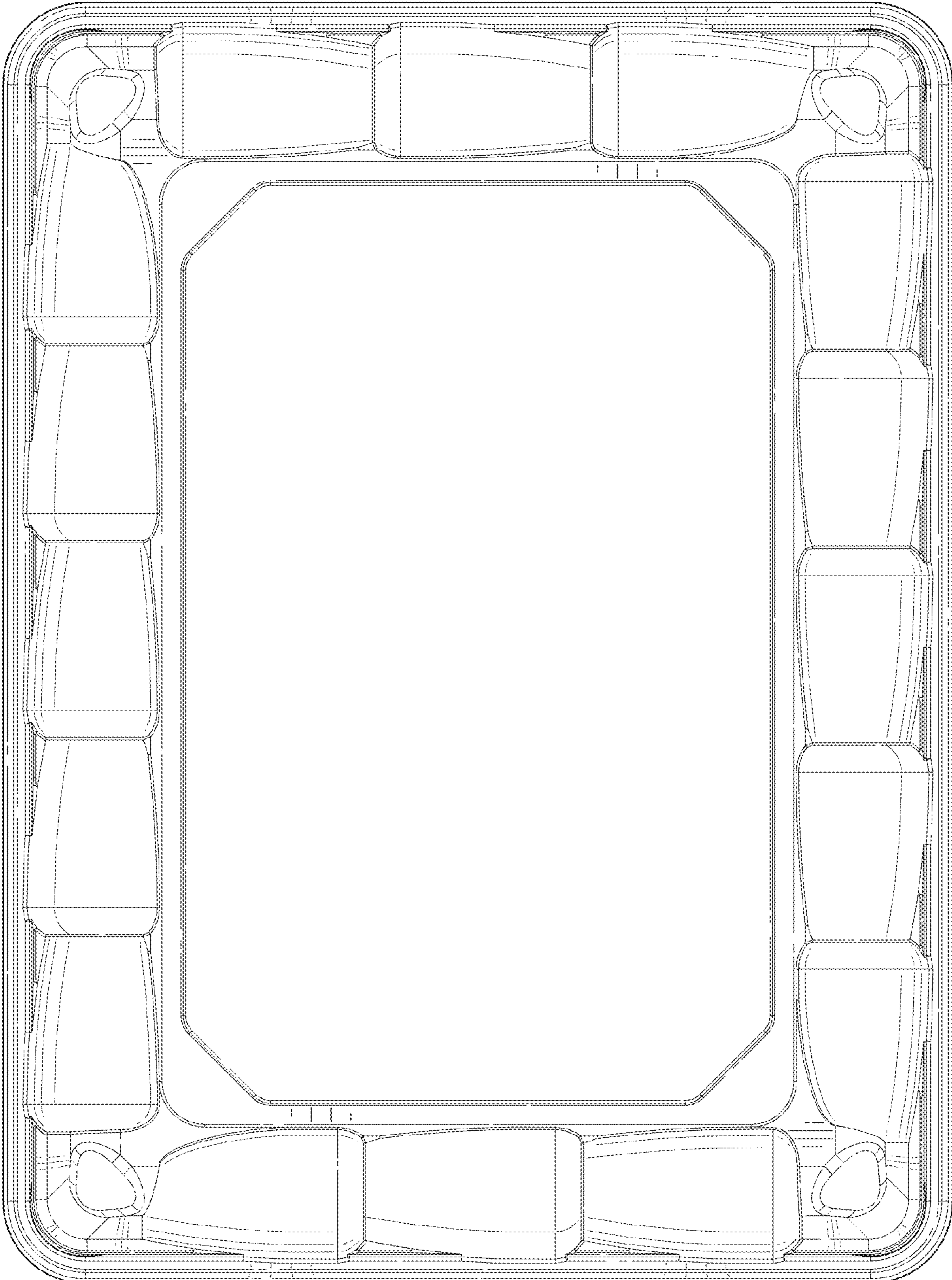


FIG. 7