



US00D928604S

(12) **United States Design Patent** (10) **Patent No.:** **US D928,604 S**
Larson (45) **Date of Patent:** **** Aug. 24, 2021**

- (54) **SLIM GIFT CARD HOLDER BOX**
- (71) Applicant: **American Greetings Corporation**,
Cleveland, OH (US)
- (72) Inventor: **Seth Larson**, Lakewood, OH (US)
- (73) Assignee: **American Greetings Corporation**,
Cleveland, OH (US)
- (**) Term: **15 Years**
- (21) Appl. No.: **29/695,908**
- (22) Filed: **Jun. 24, 2019**
- (51) **LOC (13) Cl.** **09-03**
- (52) **U.S. Cl.**
USPC **D9/420**
- (58) **Field of Classification Search**
USPC D9/420, 456, 432, 415, 722, 703, 423,
D9/705, 721, 414; D6/626; D19/1, 2;
D14/132
CPC B65D 5/4204; A24F 27/12; B42D 15/045
See application file for complete search history.

D739,766 S * 9/2015 Glass D9/705
D740,690 S * 10/2015 Glass D9/722
D745,390 S * 12/2015 Glass D9/423

(Continued)

OTHER PUBLICATIONS

“Gift Card Boxes” reference dated Jun. 17, 2021 found by RMS on the internet at: https://www.uline.com/Product/Detail/S-15493BL/Retail-Boxes/Gift-Card-Boxes-3-3-8-x-4-3-4-x-3-4-Black.*

(Continued)

Primary Examiner — Rhea Shields

(74) *Attorney, Agent, or Firm* — Christine Flanagan

(57) **CLAIM**

The ornamental design for a slim gift card holder box, as shown and described.

DESCRIPTION

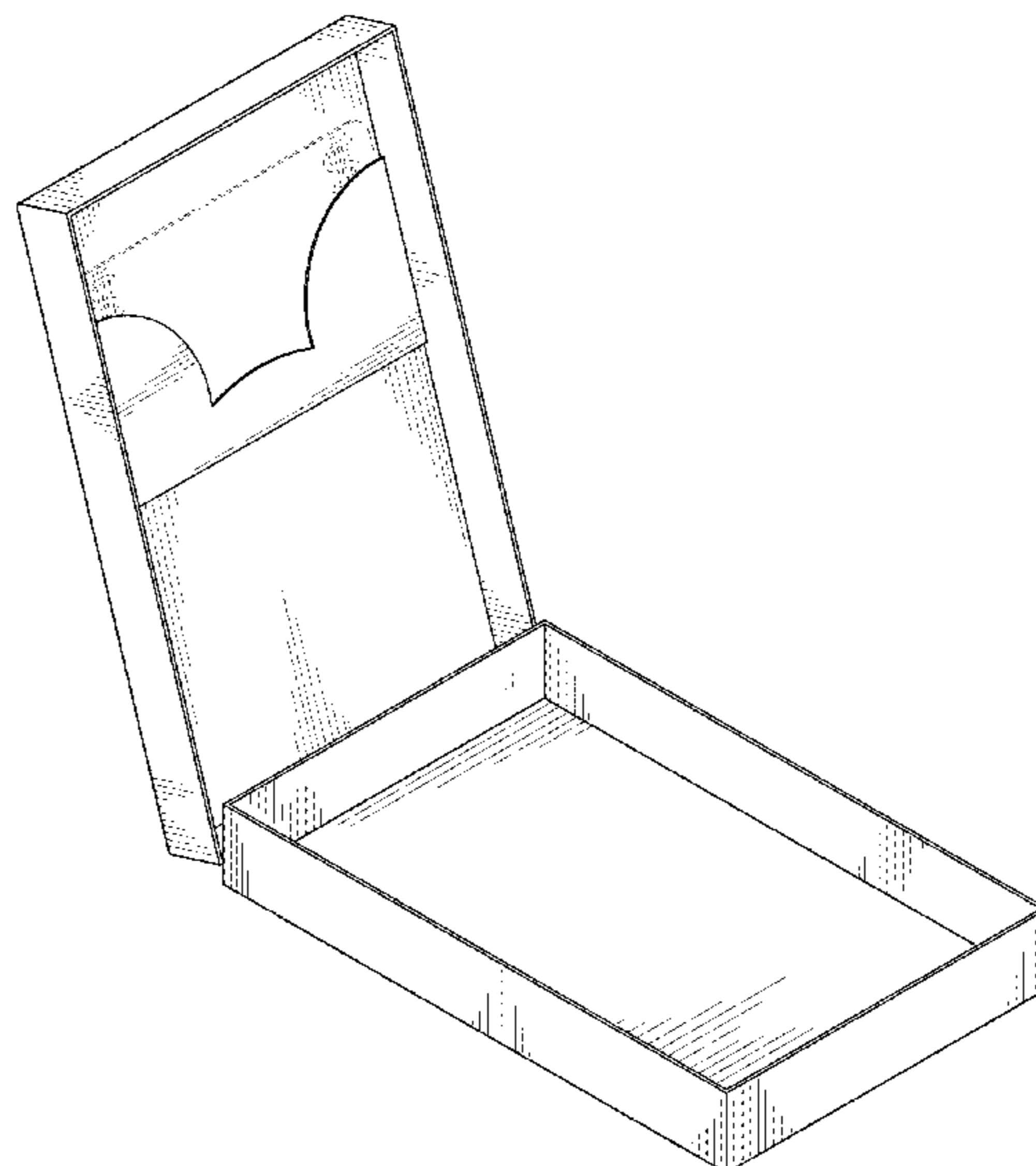
FIG. 1 is a perspective view of the slim gift card holder box of the present invention, in an open position.
FIG. 2 is a front view of the slim gift card holder box of FIG. 1.
FIG. 3 is a rear view of the slim gift card holder box of FIG. 1.
FIG. 4 is a top down view of the slim gift card holder box of FIG. 1.
FIG. 5 is a bottom up view of the slim gift card holder box of FIG. 1.
FIG. 6 is a left side view of the slim gift card holder box of FIG. 1, the right side being a mirror image thereof.
FIG. 7 is a perspective view of the slim gift card holder box of FIG. 1, in a closed position; and,
FIG. 8 is a left side view of the slim gift card holder box of FIG. 7, the right side view being a mirror image thereof.
In the drawings, the broken lines are for the purpose of illustrating portions of the slim gift card holder box that forms no part of the claimed design.

(56) **References Cited**

U.S. PATENT DOCUMENTS

- D126,124 S * 3/1941 Clemens D9/423
- D319,843 S * 9/1991 Thornell D19/2
- D398,527 S * 9/1998 Maceachern D9/420
- 6,042,113 A * 3/2000 Walker A24F 27/12
206/103
- 6,698,117 B2 * 3/2004 Stefany B42D 15/045
206/348
- D536,610 S * 2/2007 Katz D6/626
- D606,394 S * 12/2009 Stewart D9/423
- D657,415 S * 4/2012 Taylor D19/2
- D663,206 S * 7/2012 Nelson D9/456
- D663,207 S * 7/2012 Nelson D9/456
- D683,213 S * 5/2013 Clegg D9/432
- D687,293 S * 8/2013 Glass D9/415
- D732,399 S * 6/2015 Glass D9/721

1 Claim, 4 Drawing Sheets



(56)

References Cited

U.S. PATENT DOCUMENTS

D747,217 S * 1/2016 Glass D9/703
D749,964 S * 2/2016 Glass D9/703
D765,779 S * 9/2016 Deckerd D19/1
D809,471 S * 2/2018 Dancsecs D14/132
D809,932 S * 2/2018 Bruggink D9/722
D832,696 S * 11/2018 Balanevsky D9/423
D849,531 S * 5/2019 Hockin D9/432
D871,203 S * 12/2019 Koepfel D9/414
D890,605 S * 7/2020 Nelson D9/423
D904,869 S * 12/2020 Nelson D9/415
D909,861 S * 2/2021 Nelson D9/415
D910,439 S * 2/2021 Kelly D9/432
D913,089 S * 3/2021 Kelly D9/432
D913,785 S * 3/2021 Kelly D9/432
2013/0220088 A1 8/2013 Glass et al.
2014/0090995 A1 4/2014 Hahn et al.
2014/0231278 A1 8/2014 Glass et al.
2018/0072086 A1* 3/2018 Mayer B65D 5/4204

OTHER PUBLICATIONS

“Gift Card Holders” reference dated Jun. 17, 2021 found by RMS on the internet at: <https://www.aaronpackaging.ie/gift-card-holders.html>.*

* cited by examiner

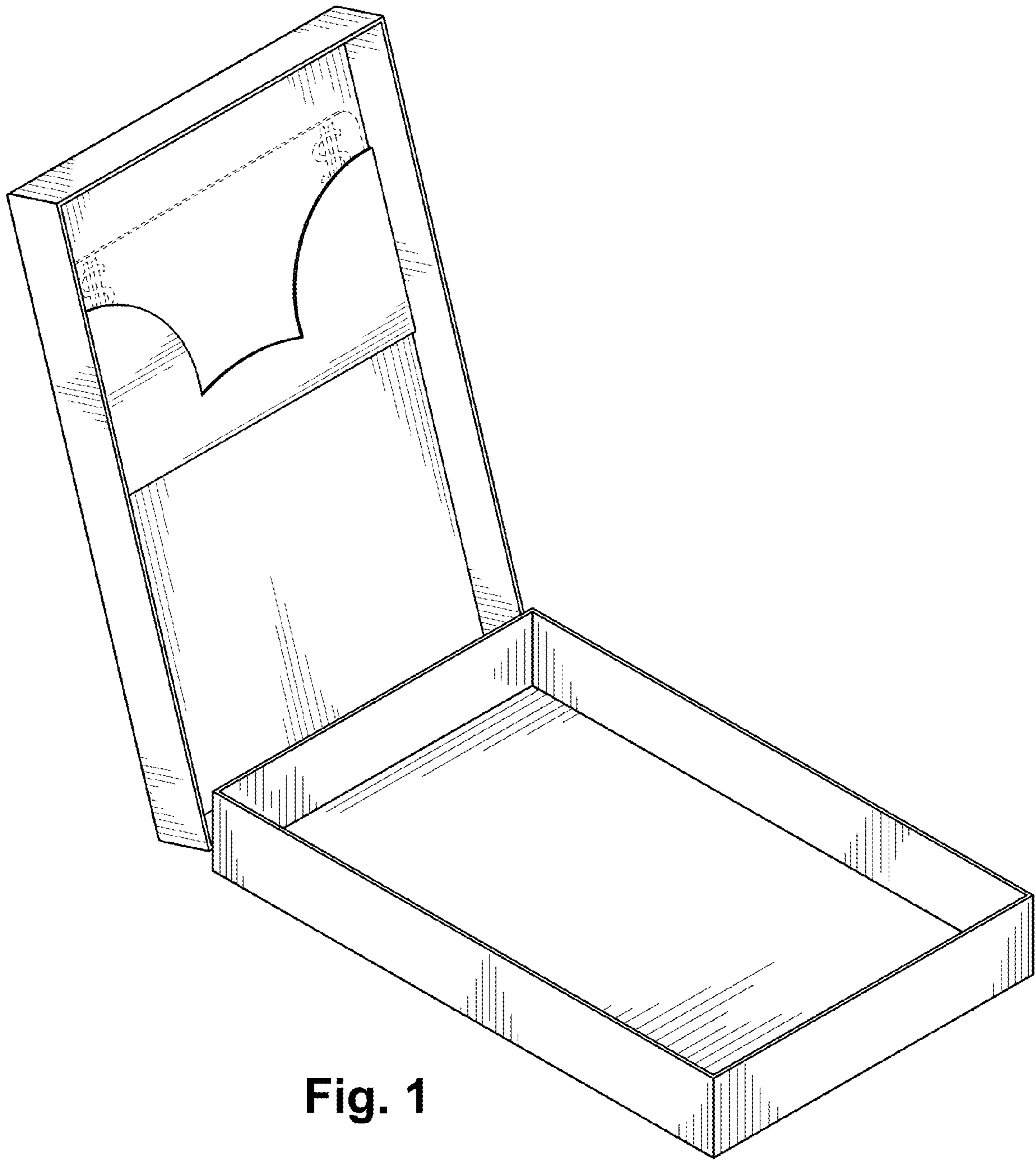


Fig. 1

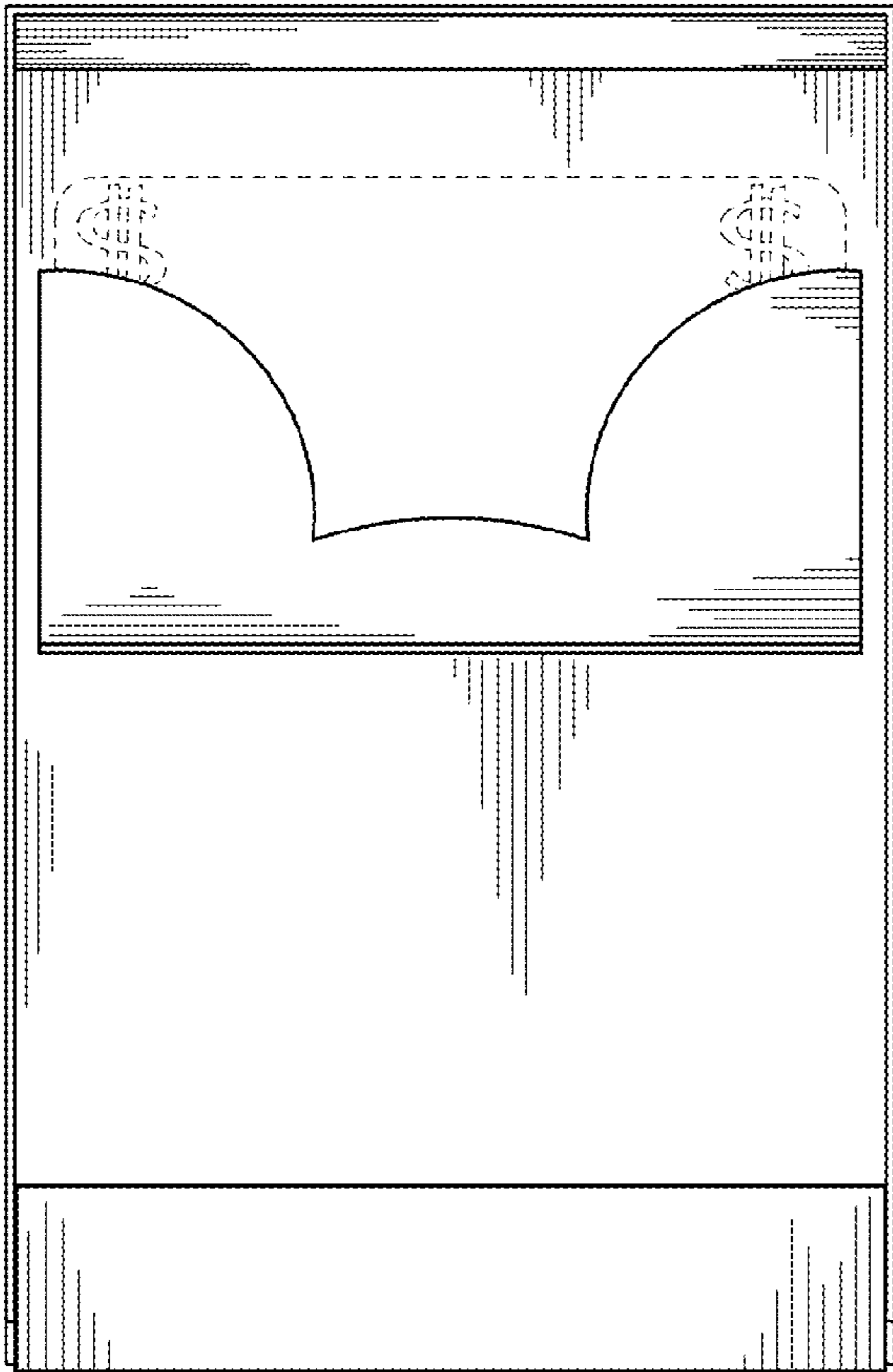


Fig. 2

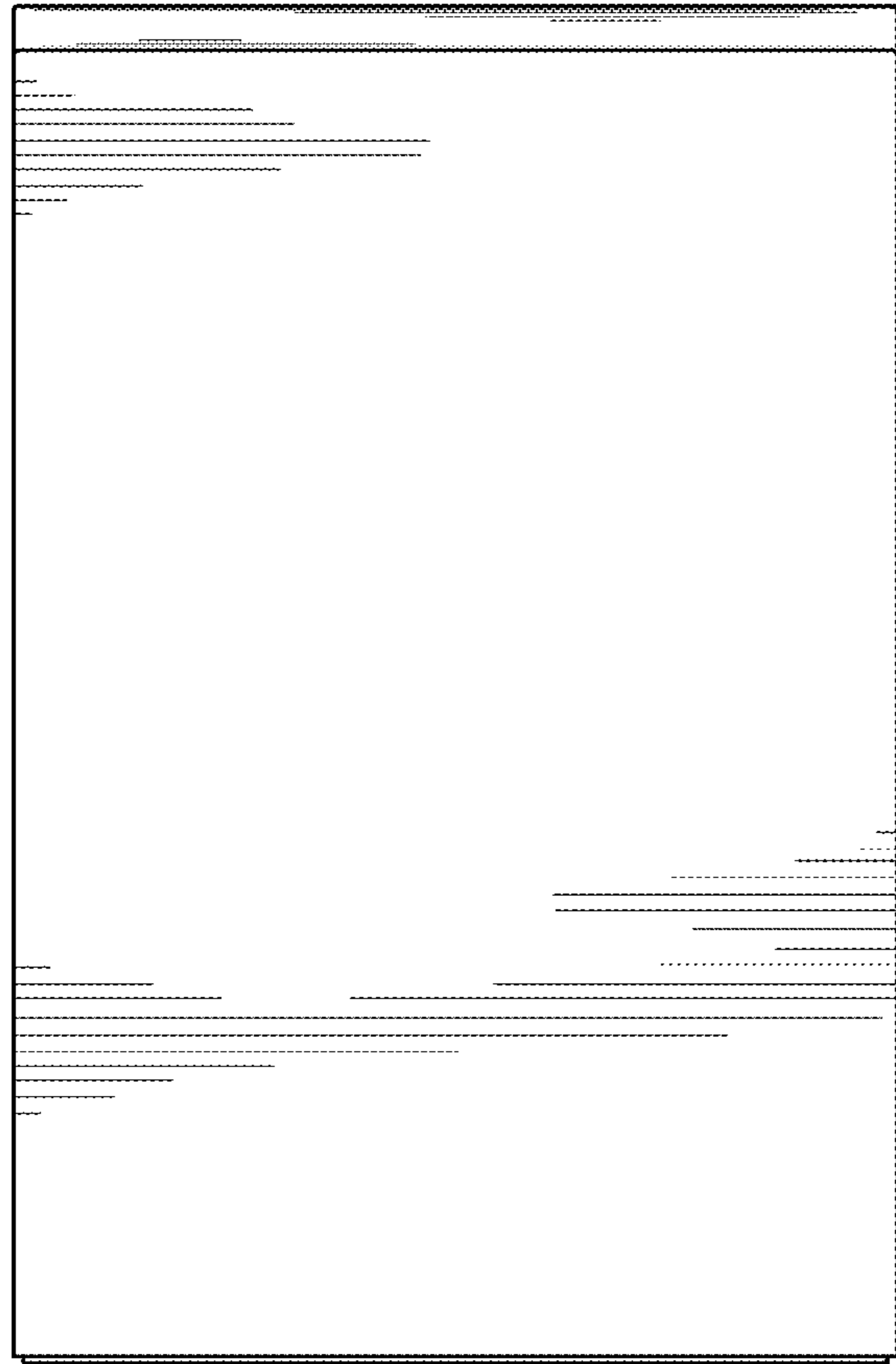


Fig. 3

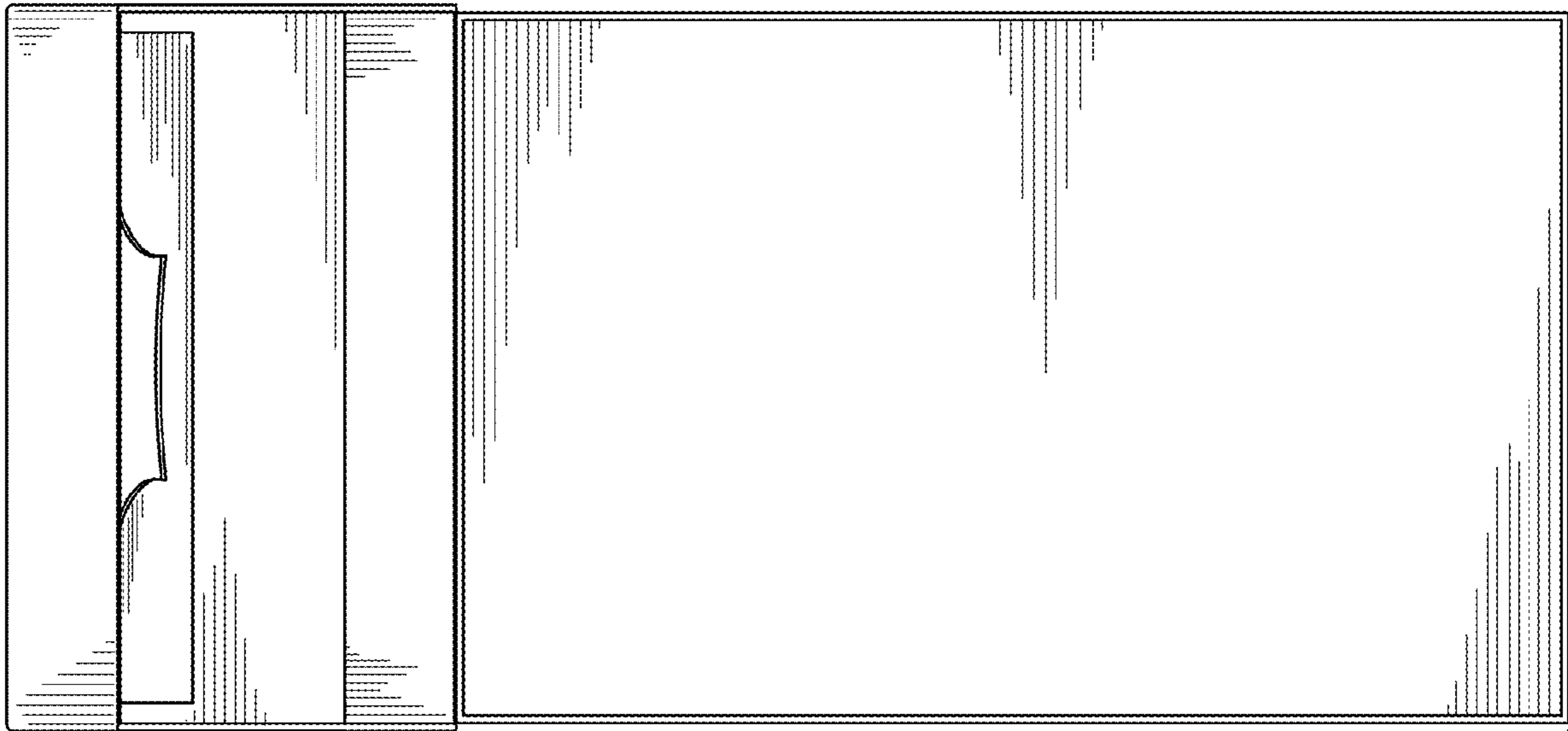


Fig. 4

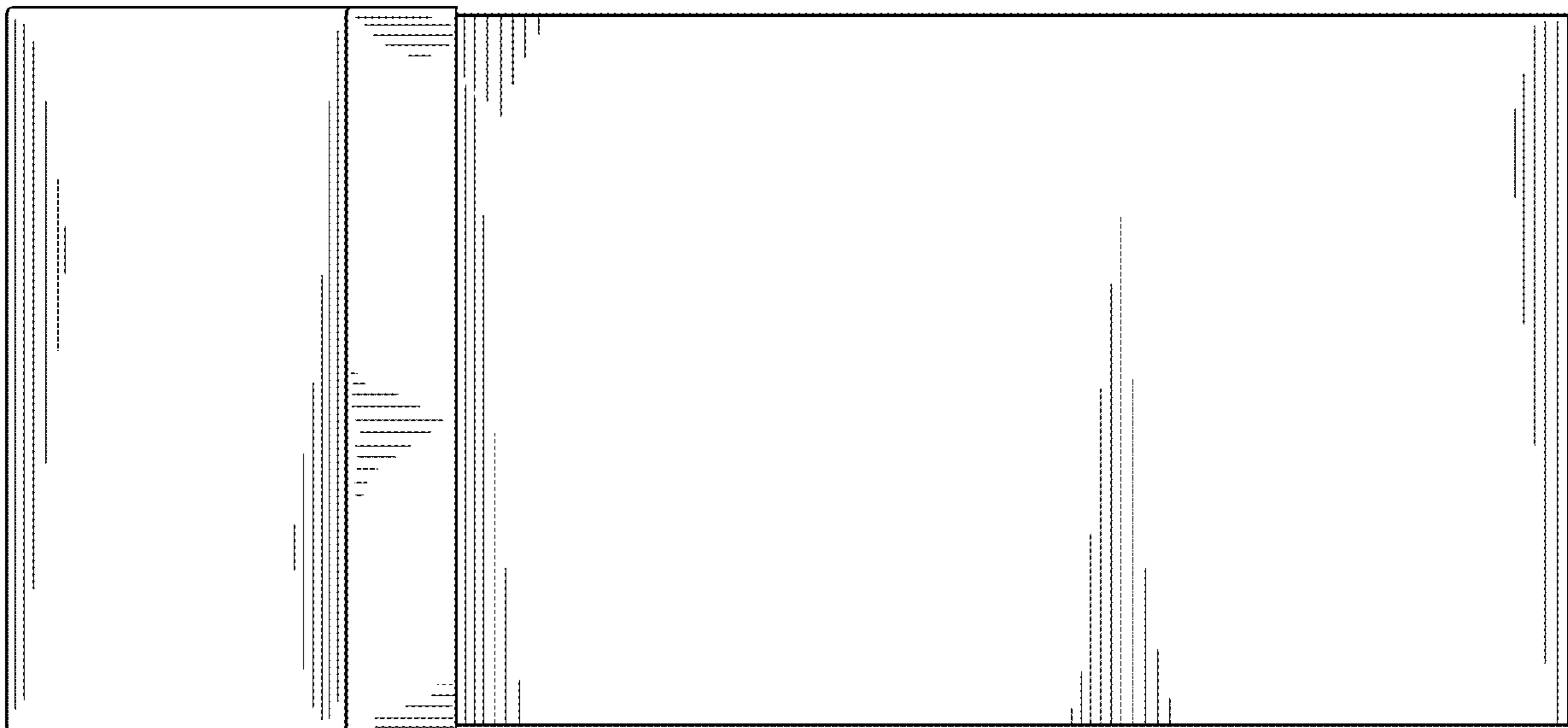


Fig. 5

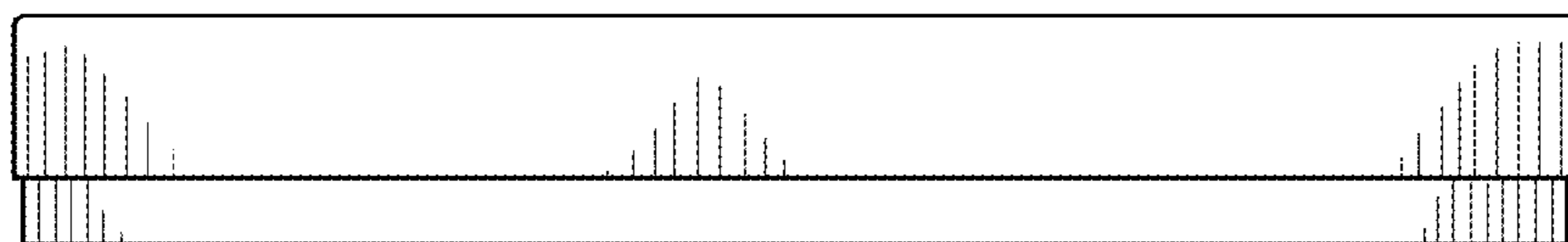
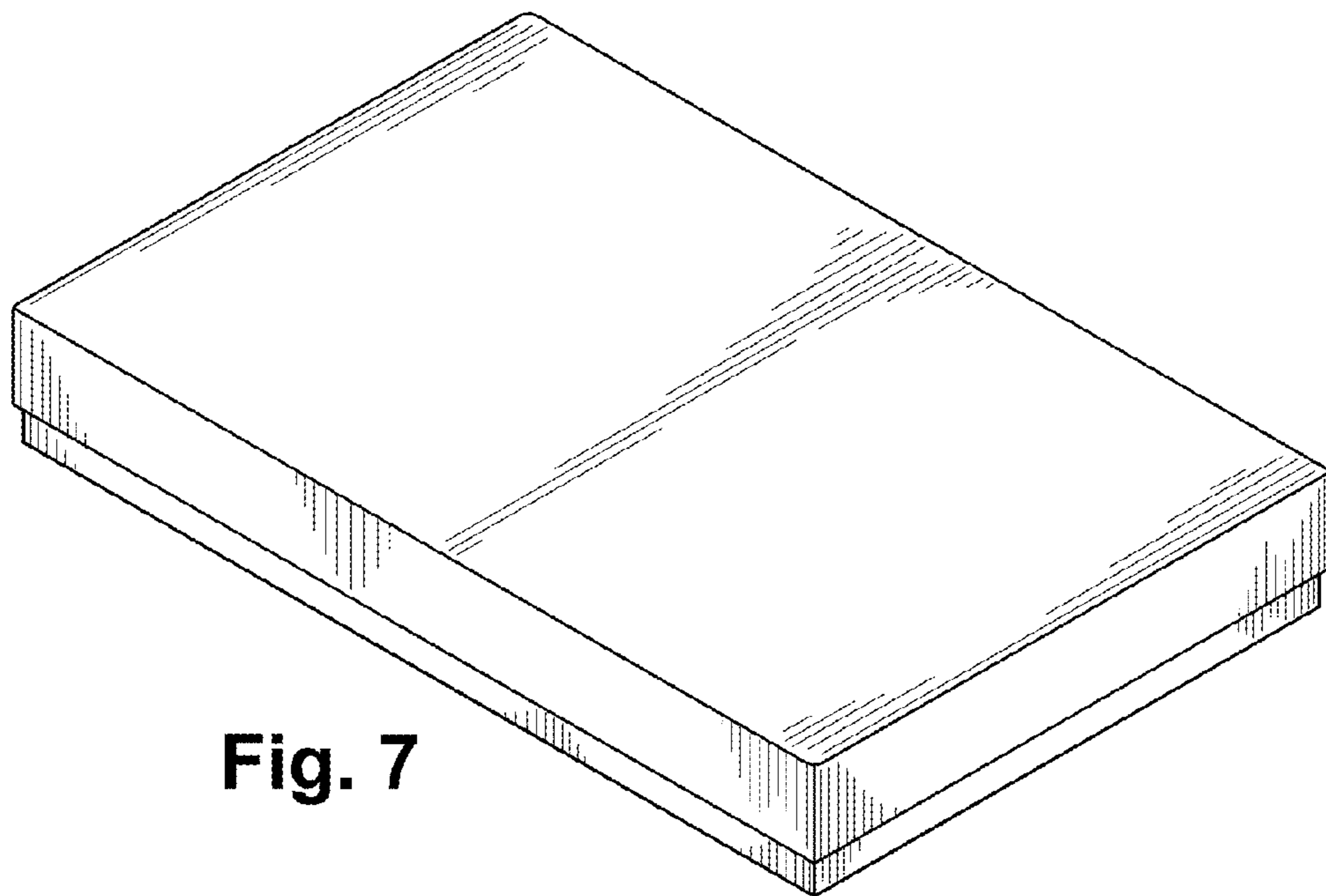
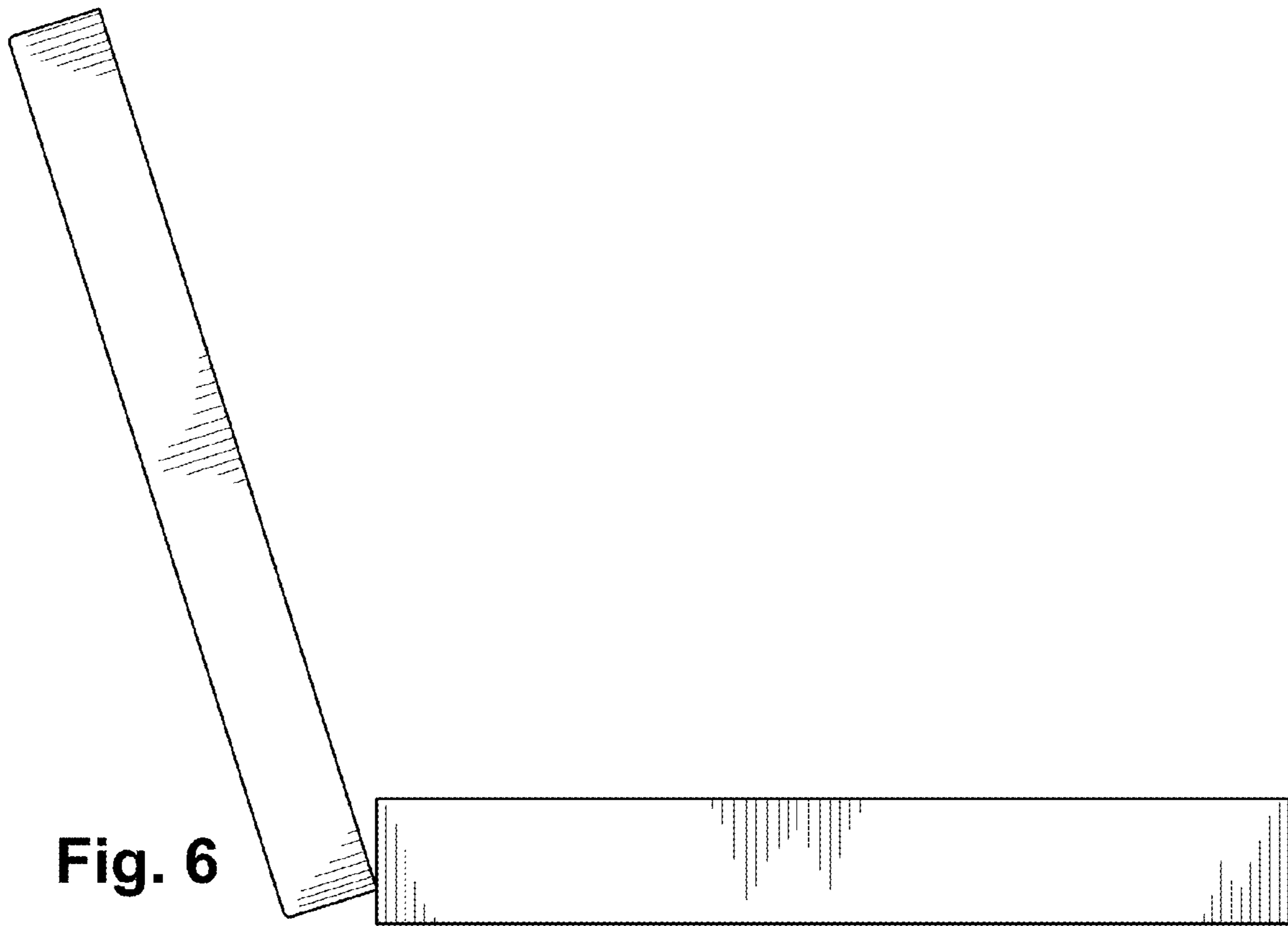


Fig. 8