



US00D928602S

(12) **United States Design Patent**
Vovan et al.

(10) **Patent No.:** **US D928,602 S**

(45) **Date of Patent:** **** Aug. 24, 2021**

- (54) **BLIND FASTENER BOLT**
- (71) Applicant: **SPS Technologies, LLC**, Jenkintown, PA (US)
- (72) Inventors: **Terry Vovan**, Upland, CA (US);
Giuseppe Ferrara, Leicestershire (GB);
Brian Hoffarth, Santa Ana, CA (US);
Rodrigo Barranqueiro Egea, Irvine, CA (US)
- (73) Assignee: **SPS Technologies, LLC**, Jenkintown, PA (US)
- (**) Term: **15 Years**
- (21) Appl. No.: **29/694,129**
- (22) Filed: **Jun. 7, 2019**
- (51) **LOC (13) Cl.** **08-08**
- (52) **U.S. Cl.**
USPC **D8/387**
- (58) **Field of Classification Search**
USPC D8/387, 385, 388, 391, 397
CPC F16B 12/22; F16B 12/24; F16B 12/125;
F16B 12/20; F16B 12/26; F16B 13/045;
F16B 35/00; F16B 37/085; F16B 37/14;
F16B 23/003; F16B 23/0061; F16B 19/109
See application file for complete search history.

(56) **References Cited**

U.S. PATENT DOCUMENTS

- 2,278,217 A * 3/1942 Rodanet F16B 29/00
411/34
- 3,140,636 A * 7/1964 Grimm F16B 19/1036
D8/399
- 3,352,190 A * 11/1967 Carlson F16B 19/1045
29/525.02

- 6,149,363 A * 11/2000 March B25B 13/065
D8/387
- 6,866,769 B2 * 3/2005 Anderson F16B 41/002
411/217
- D722,489 S * 2/2015 Yamazaki D8/387
- D787,924 S * 5/2017 Baiz D8/387
- D803,038 S * 11/2017 Baker D8/387
- D828,149 S * 9/2018 Yeon D8/387
- D847,595 S * 5/2019 Hampton D8/14
- D887,825 S * 6/2020 Schwarzmann D8/387
- D892,605 S * 8/2020 Sokol D8/387
- D898,557 S * 10/2020 Chen D8/387
- D899,239 S * 10/2020 Schatzl D8/387
- 2004/0231467 A1 * 11/2004 Hufnagl F16B 41/005
411/372.5
- 2013/0272815 A1 * 10/2013 Hufnagl F16B 19/1036
411/55
- 2013/0327189 A1 * 12/2013 Wagstaff F16B 37/14
81/463
- 2014/0044498 A1 * 2/2014 Hufnagl F16B 19/1072
411/43
- 2014/0112734 A1 * 4/2014 Ambros F16B 25/0021
411/387.1
- 2014/0130335 A1 * 5/2014 Bickford B21J 15/12
29/525.02

(Continued)

Primary Examiner — Susan Bennett Hattan
Assistant Examiner — Elizabeth S Ko
(74) *Attorney, Agent, or Firm* — Burriss Law, PLLC

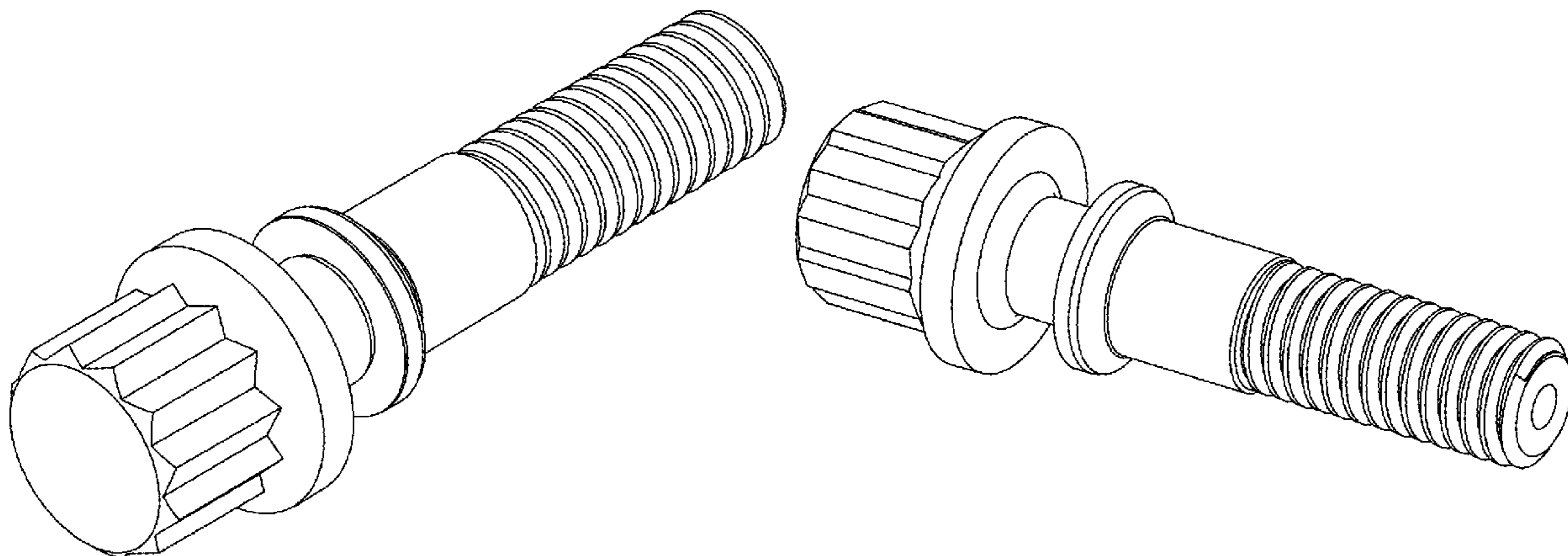
(57) **CLAIM**

The ornamental design for a blind fastener bolt, as shown and described.

DESCRIPTION

FIG. 1 is a top-front perspective view of the blind fastener bolt;
FIG. 2 is a bottom-rear perspective view thereof;
FIG. 3 is a side view thereof;
FIG. 4 is a top view thereof; and,
FIG. 5 is a bottom view thereof.

1 Claim, 3 Drawing Sheets



(56)

References Cited

U.S. PATENT DOCUMENTS

2015/0196951 A1* 7/2015 Bigot F16B 19/1054
29/525.06
2016/0177985 A1* 6/2016 Pailhories F16B 39/34
156/293
2016/0215804 A1* 7/2016 Hufnagl F16B 19/1054
2017/0363129 A1* 12/2017 Bada B25B 13/065
2018/0162551 A1* 6/2018 Liebscher B64D 45/02
2019/0055971 A1* 2/2019 Maloney F16B 37/122
2019/0093697 A1* 3/2019 Becker F16F 15/04
2019/0151051 A1* 5/2019 Padros A61C 8/0074
2019/0323546 A1* 10/2019 Stevens F16B 37/125
2019/0331160 A1* 10/2019 Cowan F16B 37/14
2019/0383319 A1* 12/2019 Simpson C09D 5/32
2020/0032834 A1* 1/2020 Auffinger F16B 37/14
2020/0230691 A1* 7/2020 Simpson B21J 15/105
2020/0291979 A1* 9/2020 Cowles, Jr. F16B 43/001

* cited by examiner

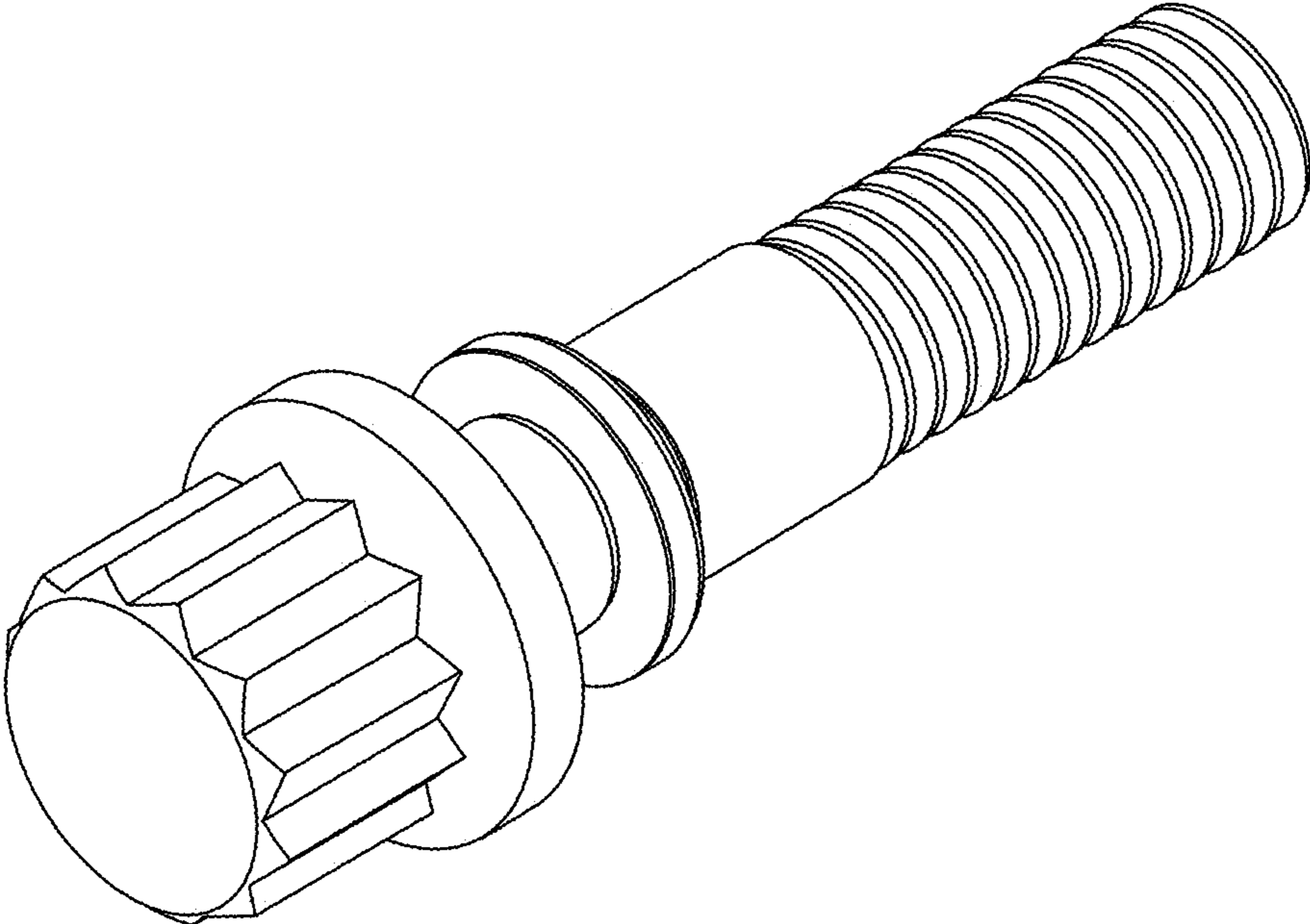


FIG. 1

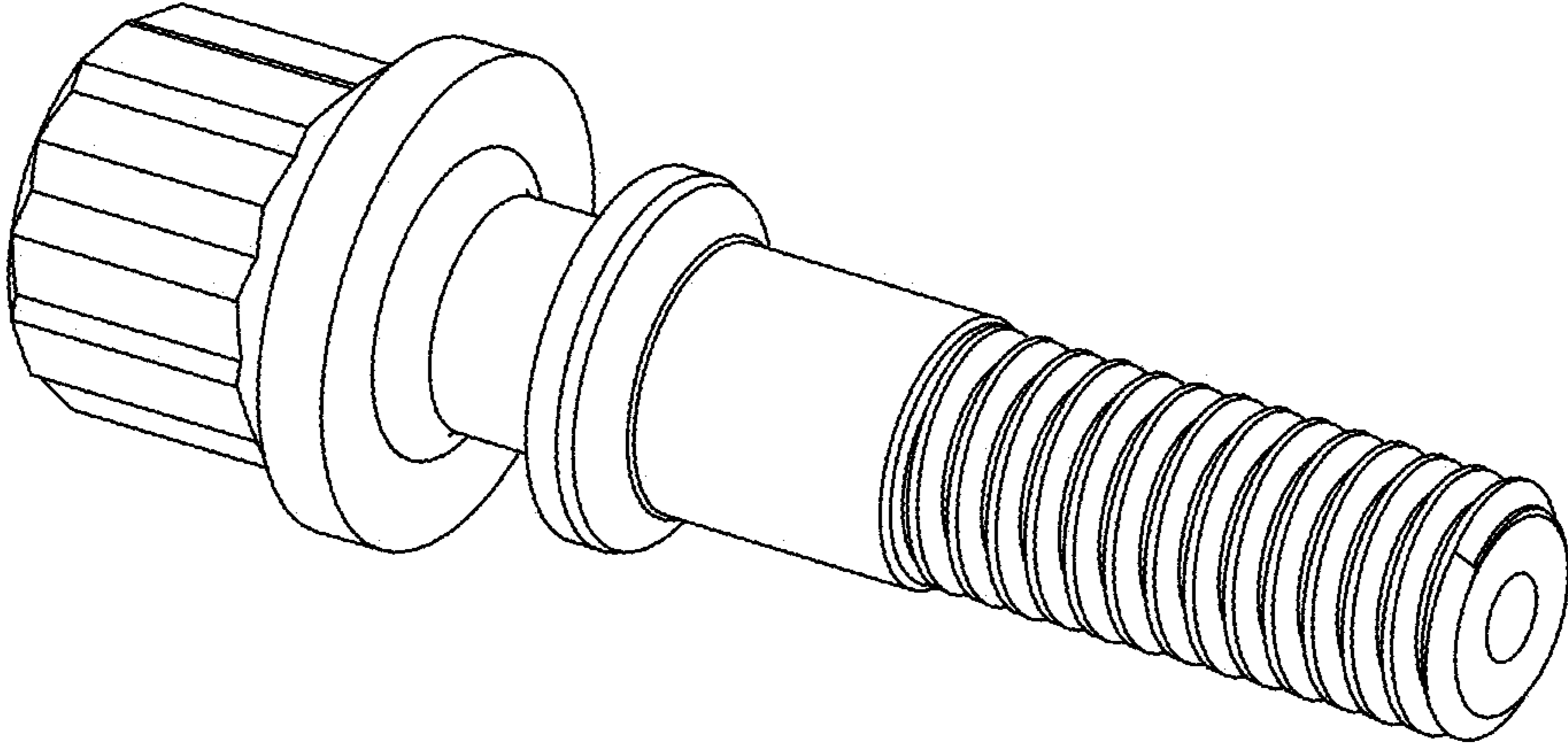


FIG. 2

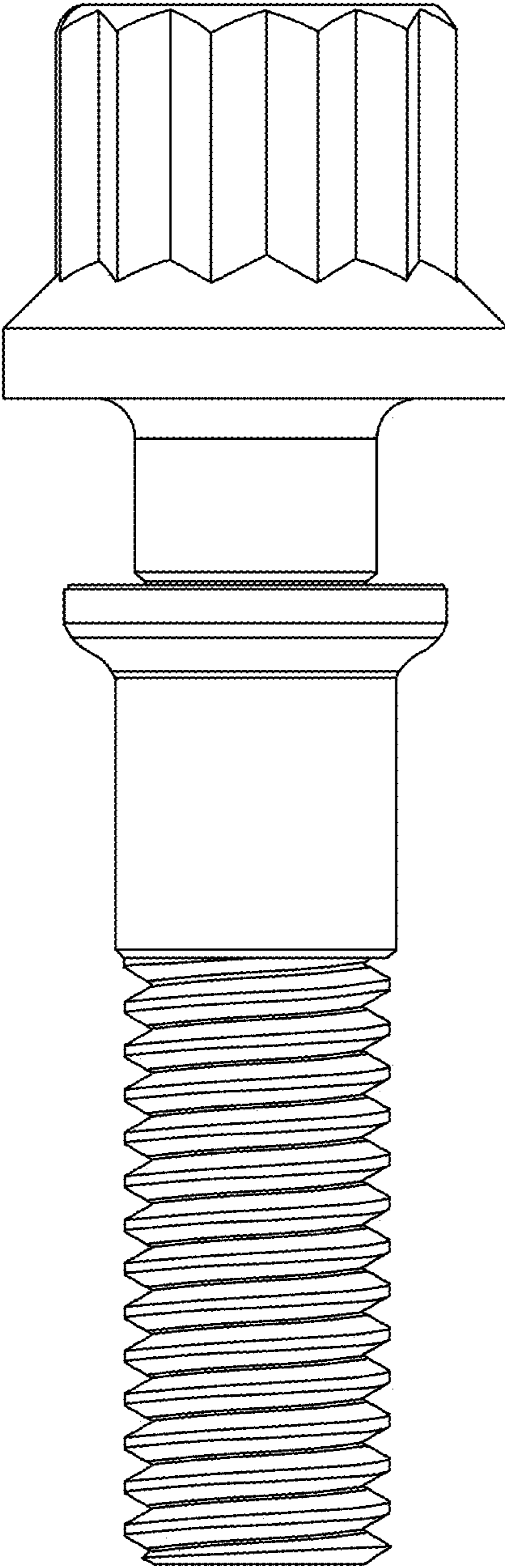


FIG. 3

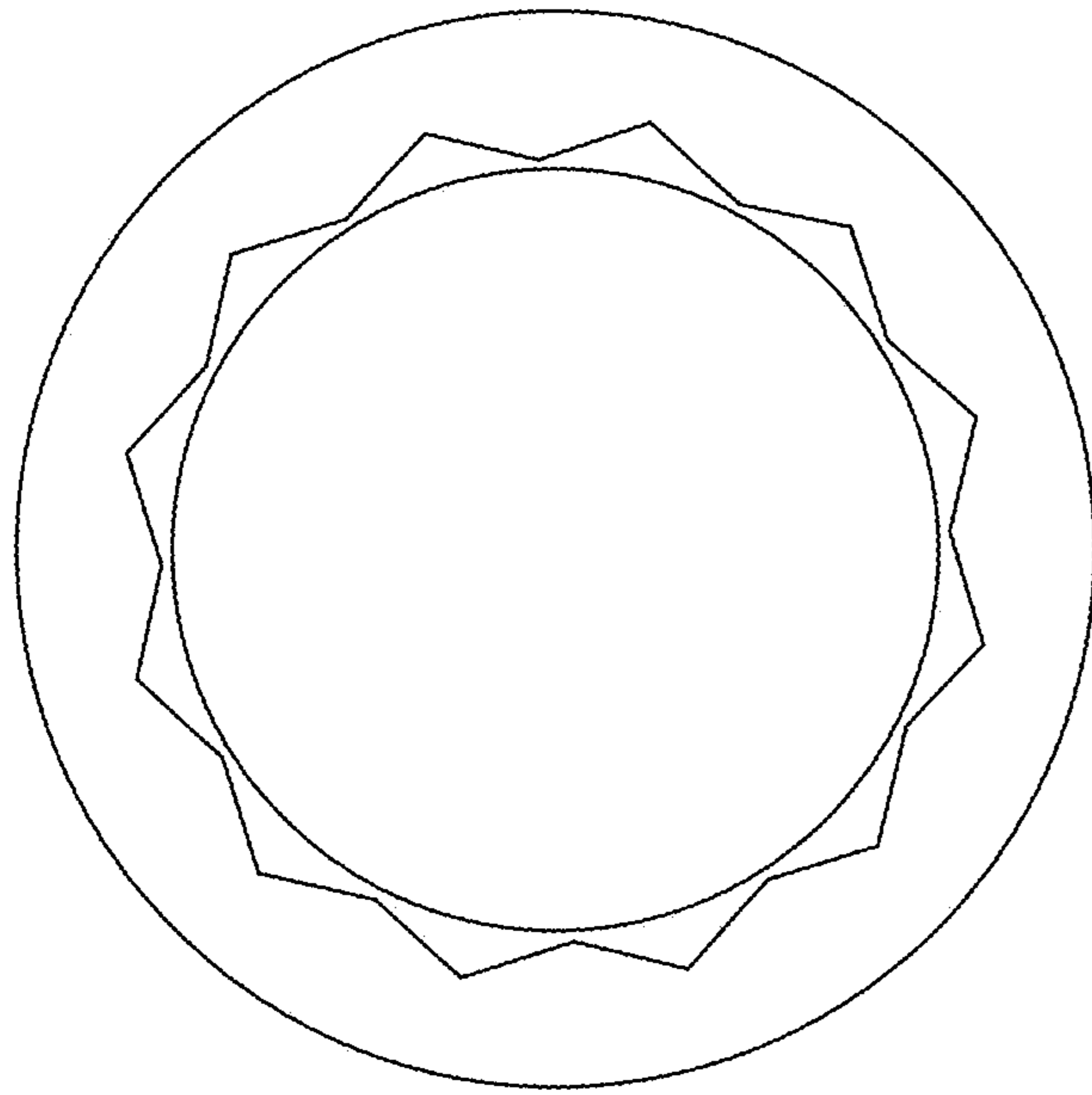


FIG. 4

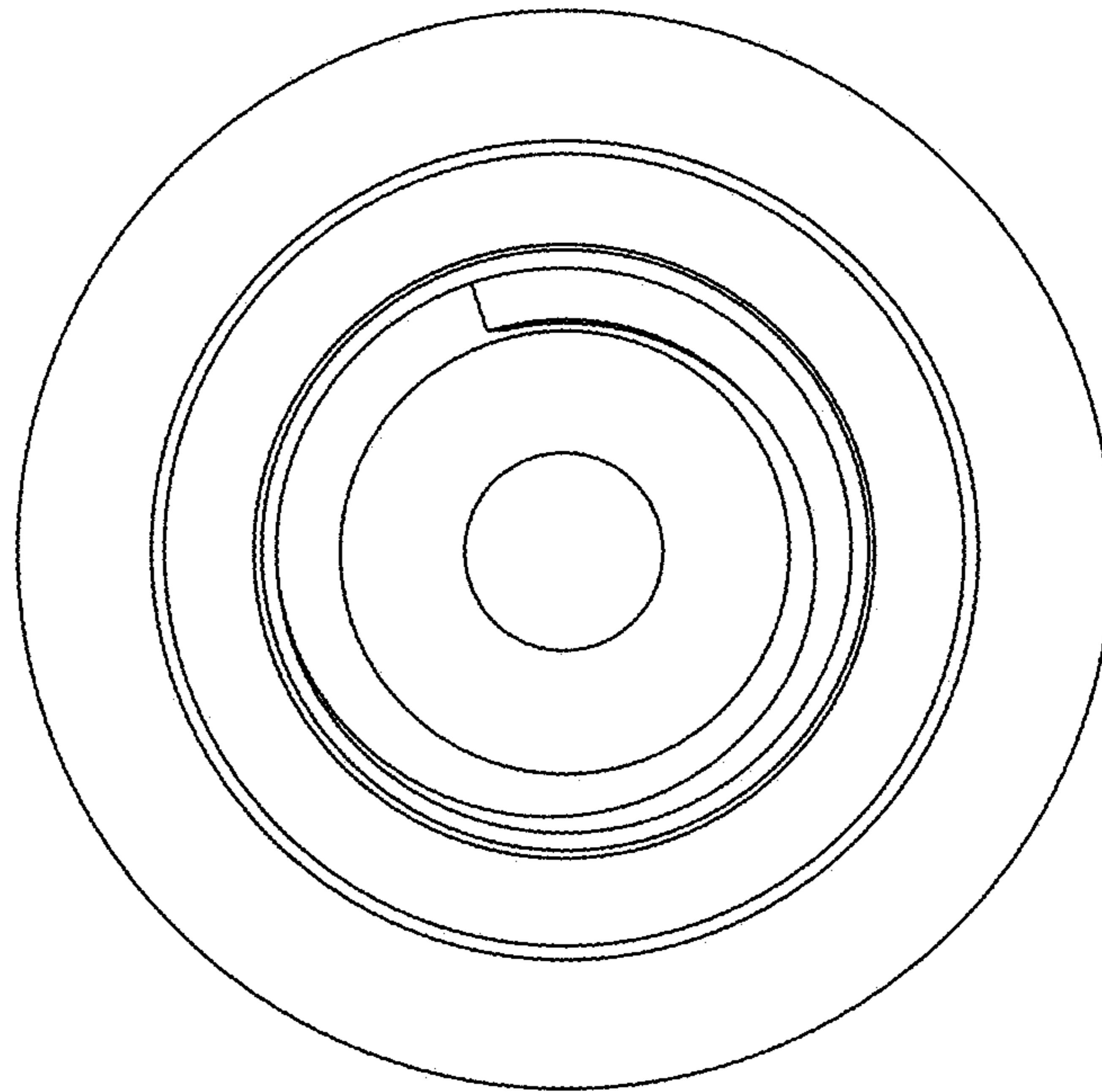


FIG. 5