



US00D928601S

(12) **United States Design Patent**
Reynolds

(10) **Patent No.:** **US D928,601 S**

(45) **Date of Patent:** **** Aug. 24, 2021**

(54) **SECURING DEVICE**

(71) Applicant: **GRIPPLE LIMITED**, Sheffield (GB)

(72) Inventor: **Tom Reynolds**, Sheffield (GB)

(73) Assignee: **GRIPPLE LIMITED**

(**) Term: **15 Years**

(21) Appl. No.: **29/716,898**

(22) Filed: **Dec. 12, 2019**

(30) **Foreign Application Priority Data**

Jun. 21, 2019 (EM) 006588752-0001
Jun. 21, 2019 (EM) 006588752-0002
Jun. 21, 2019 (EM) 006588752-0003

(51) **LOC (13) Cl.** **08-08**

(52) **U.S. Cl.**
USPC **D8/383**

(58) **Field of Classification Search**
USPC D8/383
CPC E04H 17/266; E04H 17/268; E04H 17/12;
E04H 17/124
See application file for complete search history.

(56) **References Cited**

U.S. PATENT DOCUMENTS

2,476,852 A * 7/1949 Forbes E21C 25/36
474/221
6,263,547 B1 * 7/2001 Andersson F16G 11/02
24/115 R
D513,972 S * 1/2006 Goldberg D8/383

D567,641 S * 4/2008 Clarke D8/383
D599,701 S * 9/2009 Jacobs D11/216
8,540,217 B2 * 9/2013 Olsson E04H 17/12
256/48
9,234,367 B2 * 1/2016 Kopp E04H 17/12
9,611,671 B2 * 4/2017 Tyrrell A01K 3/005
10,323,436 B2 * 6/2019 White A01K 3/005
10,662,670 B2 * 5/2020 Chen E04H 17/06

* cited by examiner

Primary Examiner — Doris Clark

(74) *Attorney, Agent, or Firm* — Clark Hill PLC; James R. Foley

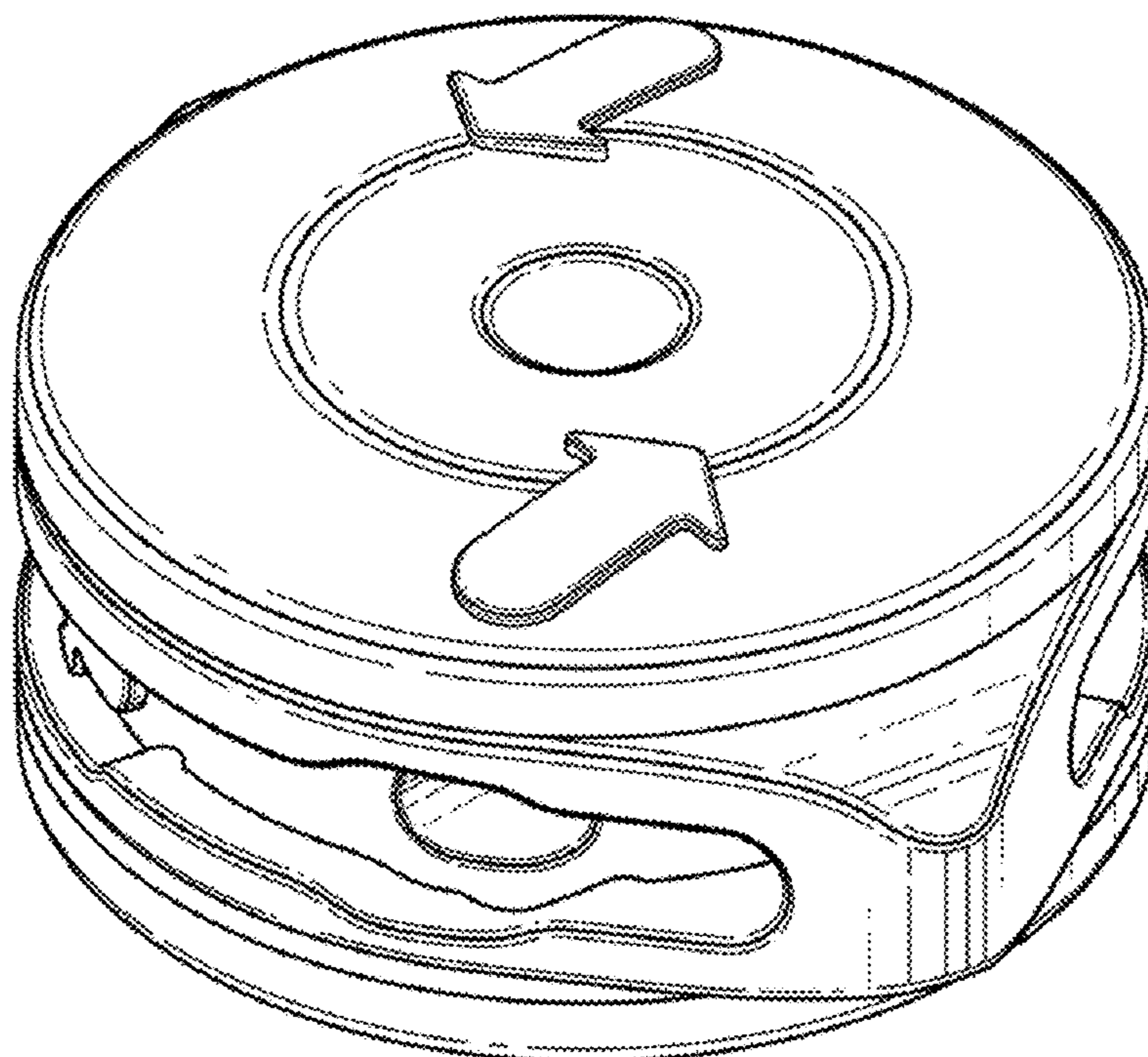
(57) **CLAIM**

The ornamental design of a securing device, as shown and described.

DESCRIPTION

FIG. 1 is a perspective view of a first embodiment of the securing device;
FIG. 2 is a back view thereof;
FIG. 3 is a bottom view thereof;
FIG. 4 is a front view thereof;
FIG. 5 is a left view thereof;
FIG. 6 is a right view thereof; and,
FIG. 7 is a top view thereof.
FIG. 8 is a perspective view of a second embodiment of the securing device;
FIG. 9 is a back view thereof;
FIG. 10 is a bottom view thereof;
FIG. 11 is a front view thereof;
FIG. 12 is a left view thereof;
FIG. 13 is a right view thereof; and,
FIG. 14 is a top view thereof.

1 Claim, 7 Drawing Sheets



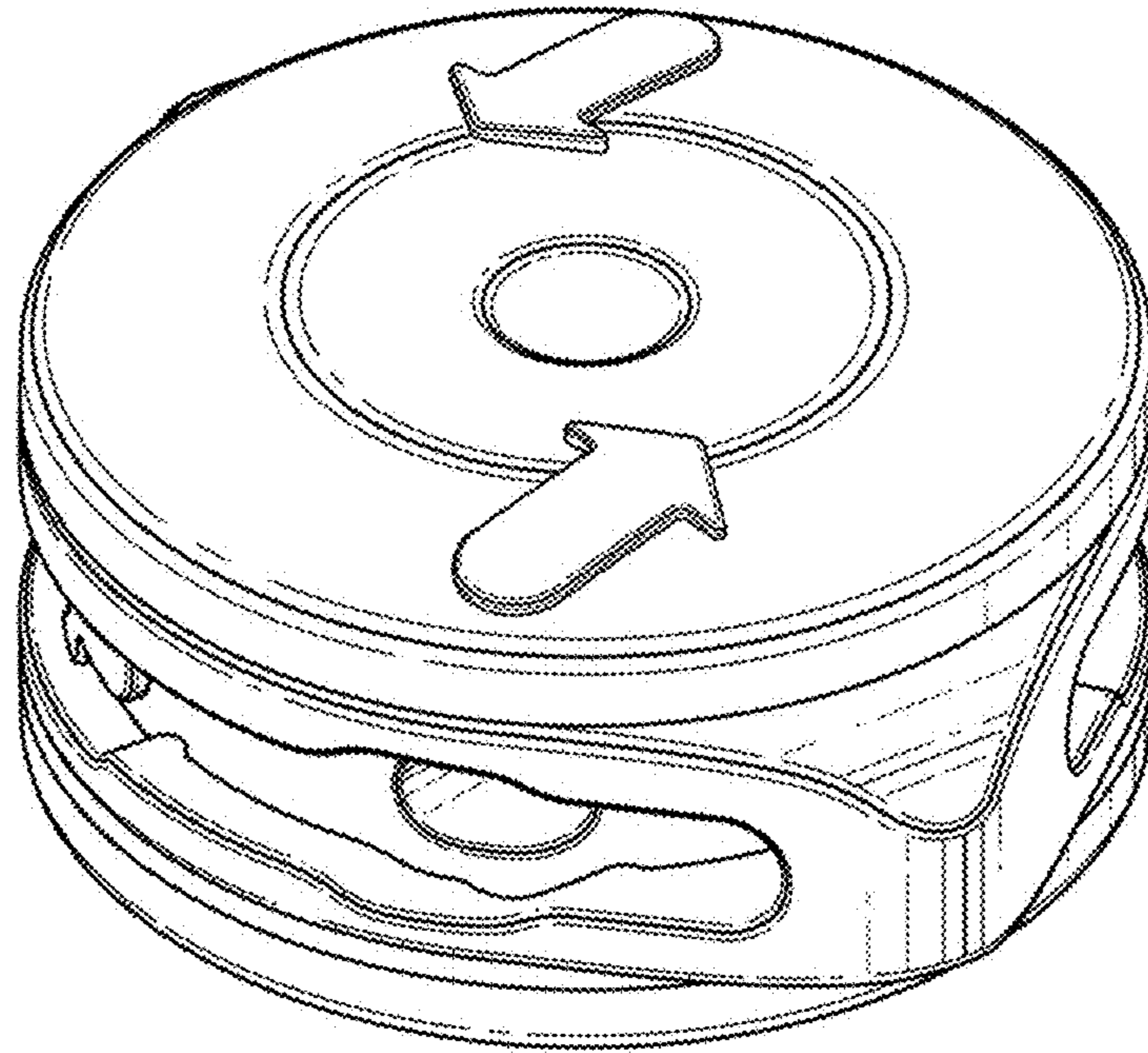


FIGURE 1

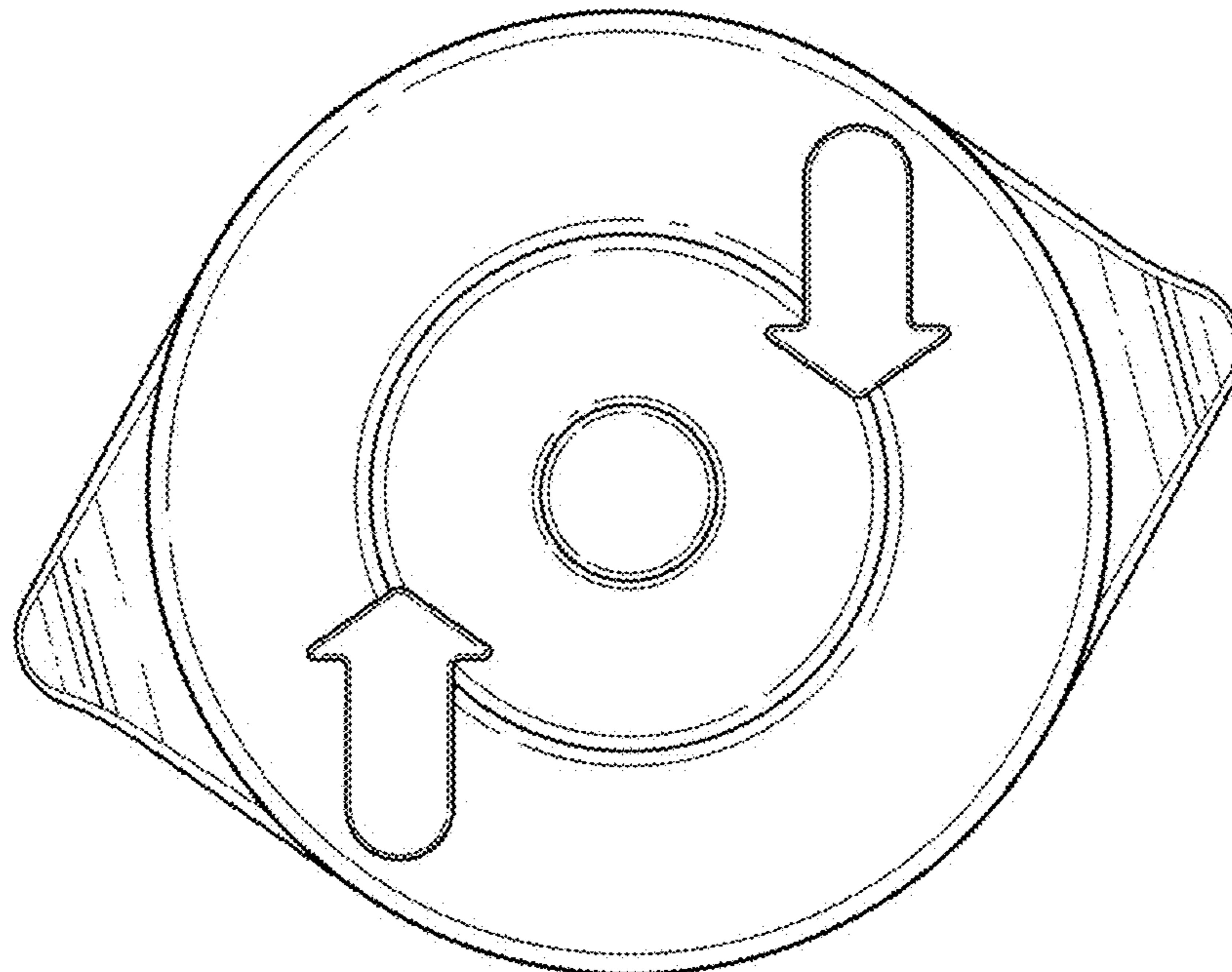


FIGURE 2

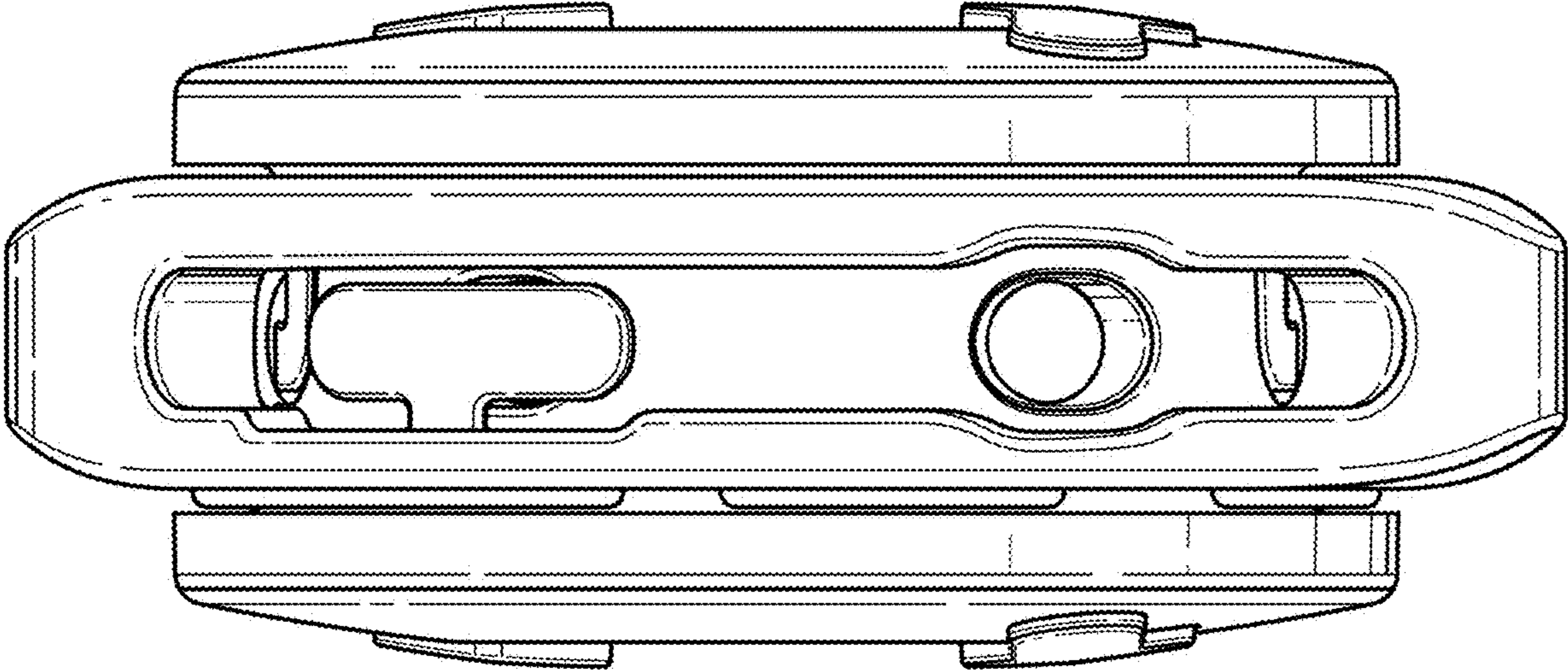


FIGURE 3

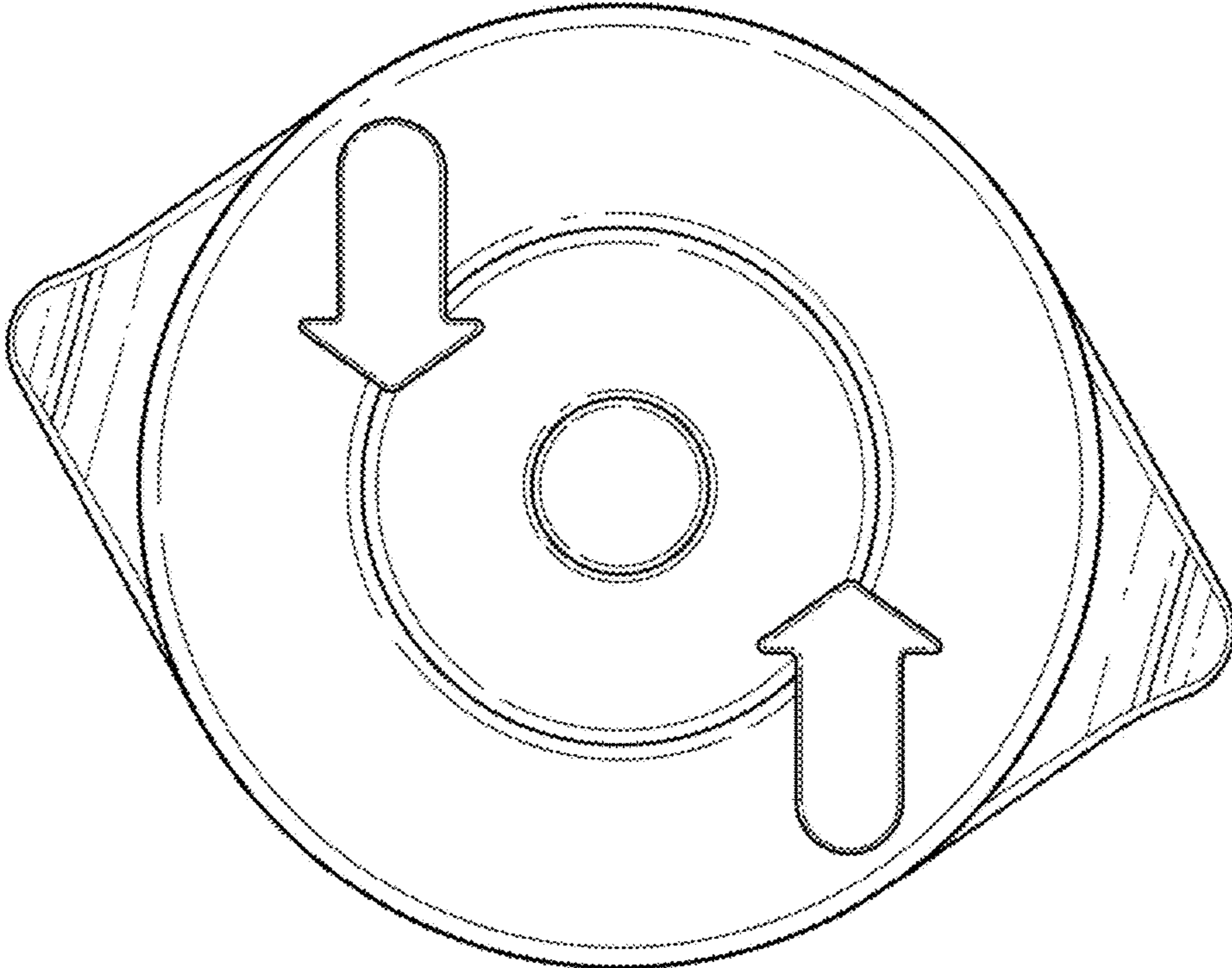


FIGURE 4

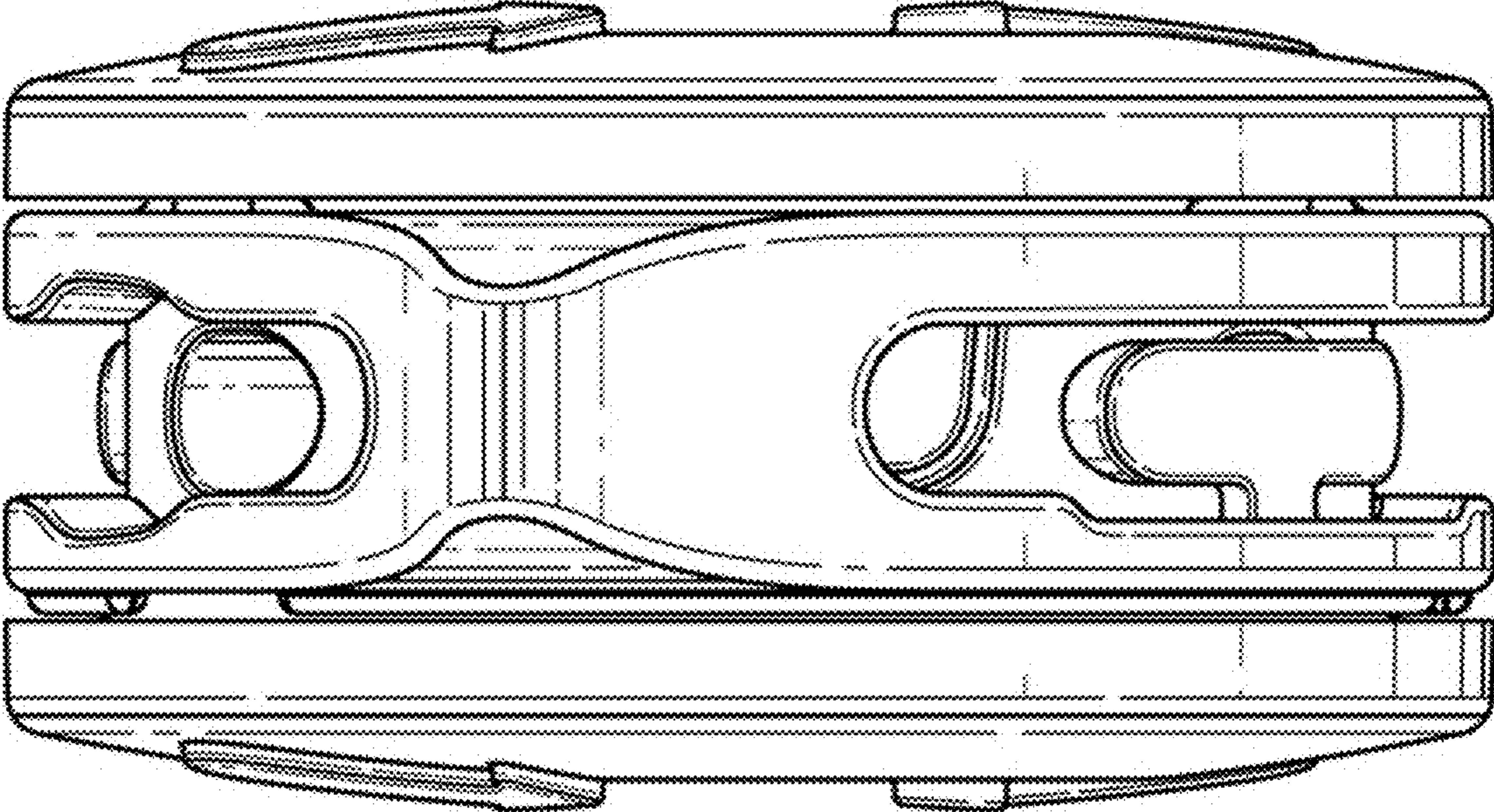


FIGURE 5

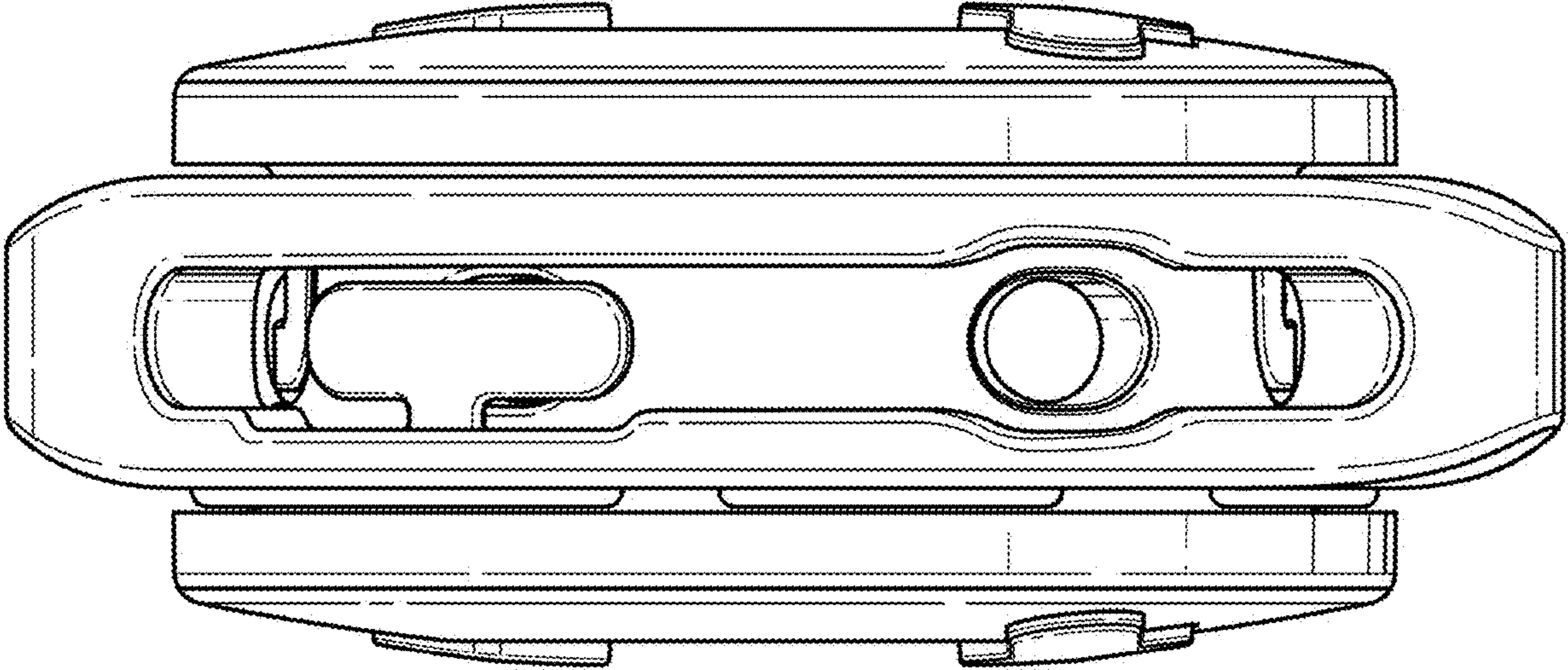


FIGURE 6

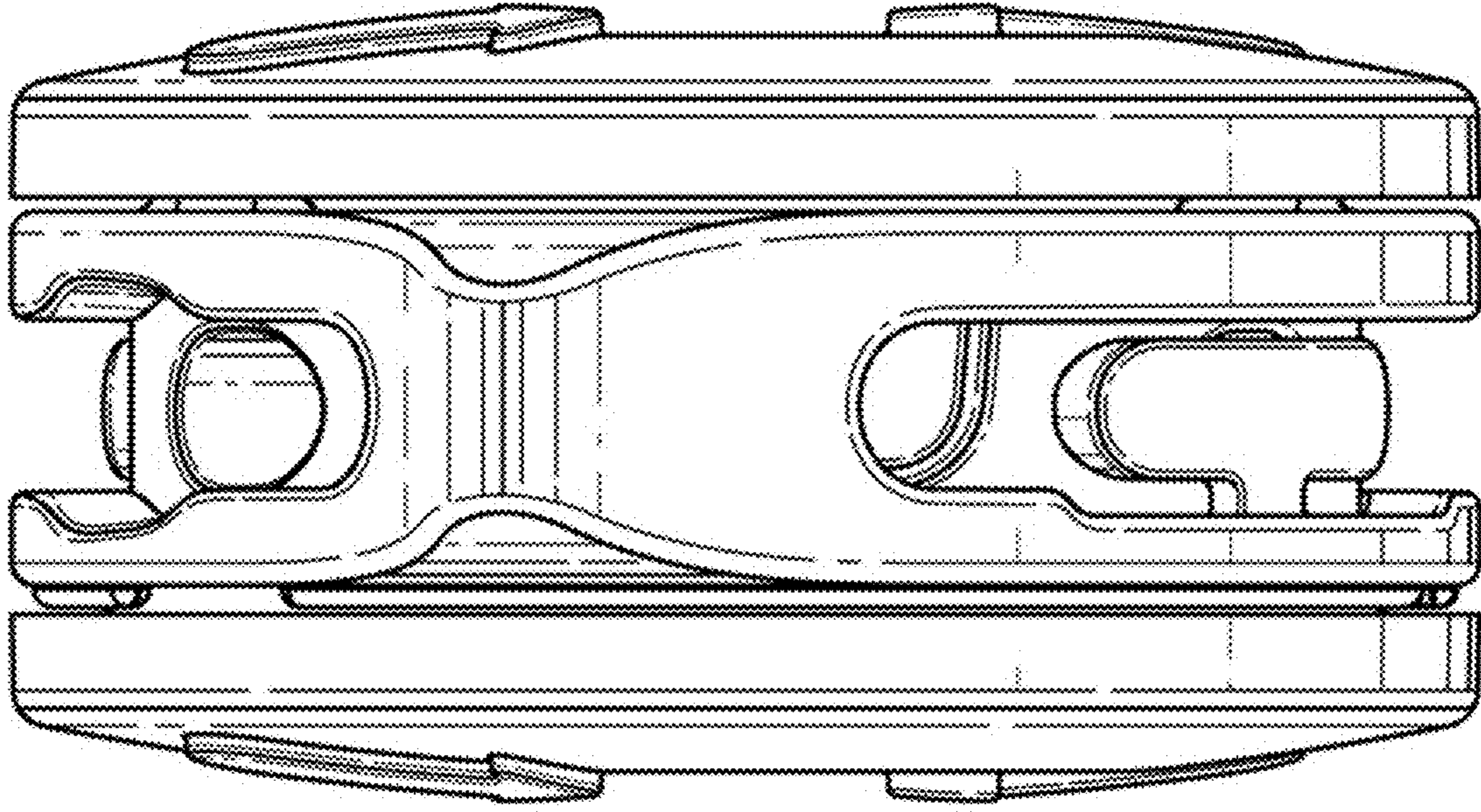


FIGURE 7

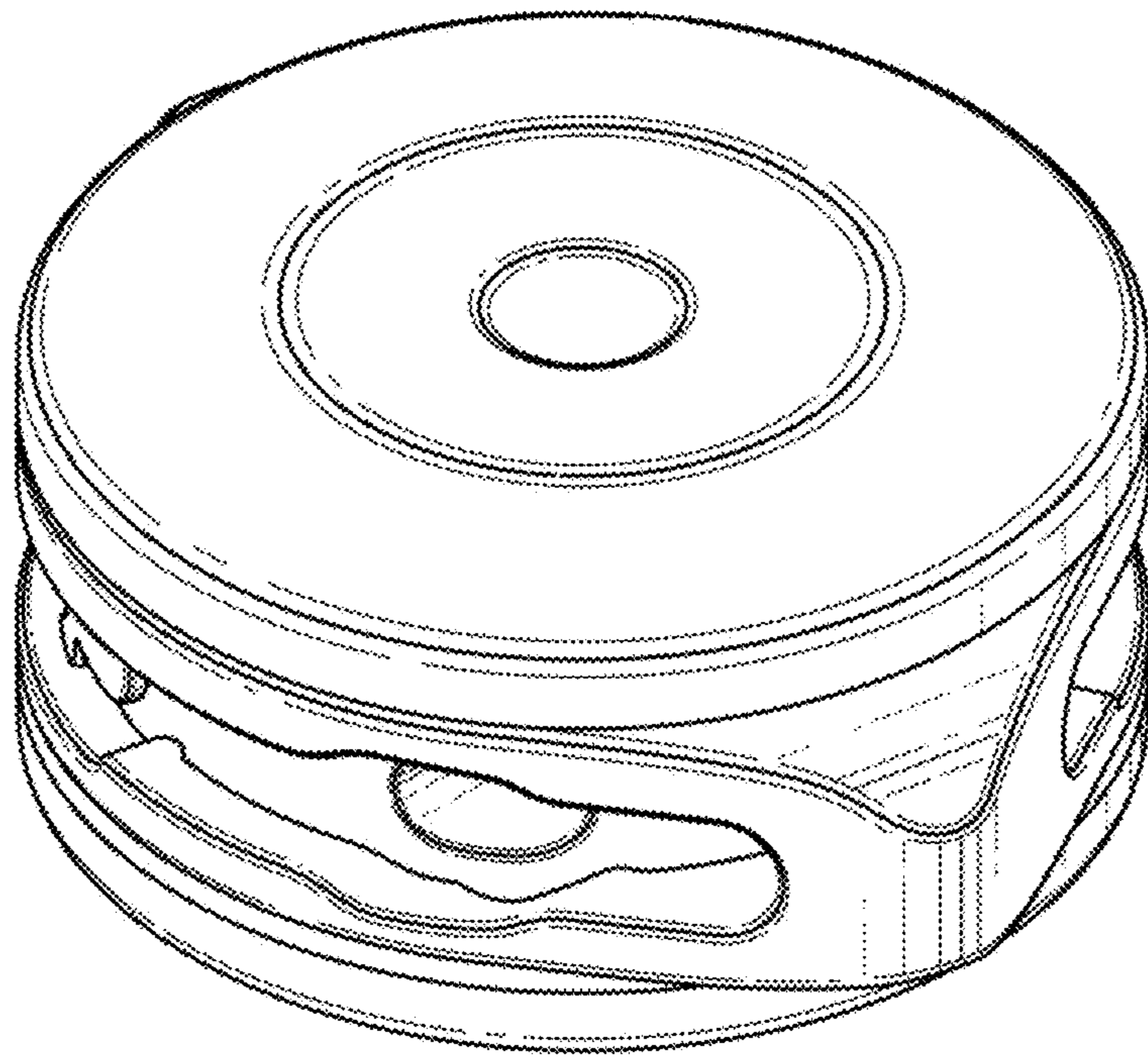


FIGURE 8

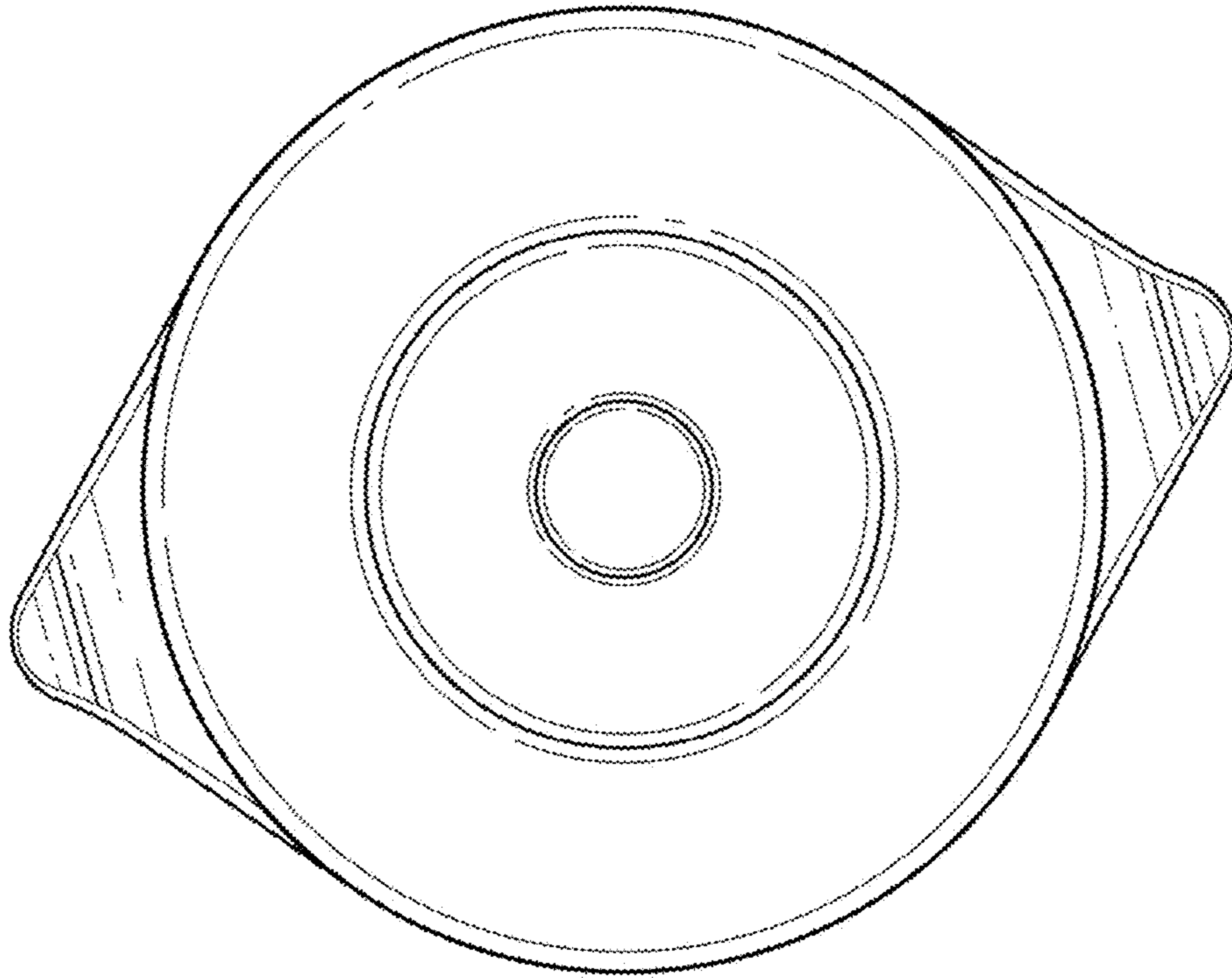


FIGURE 9

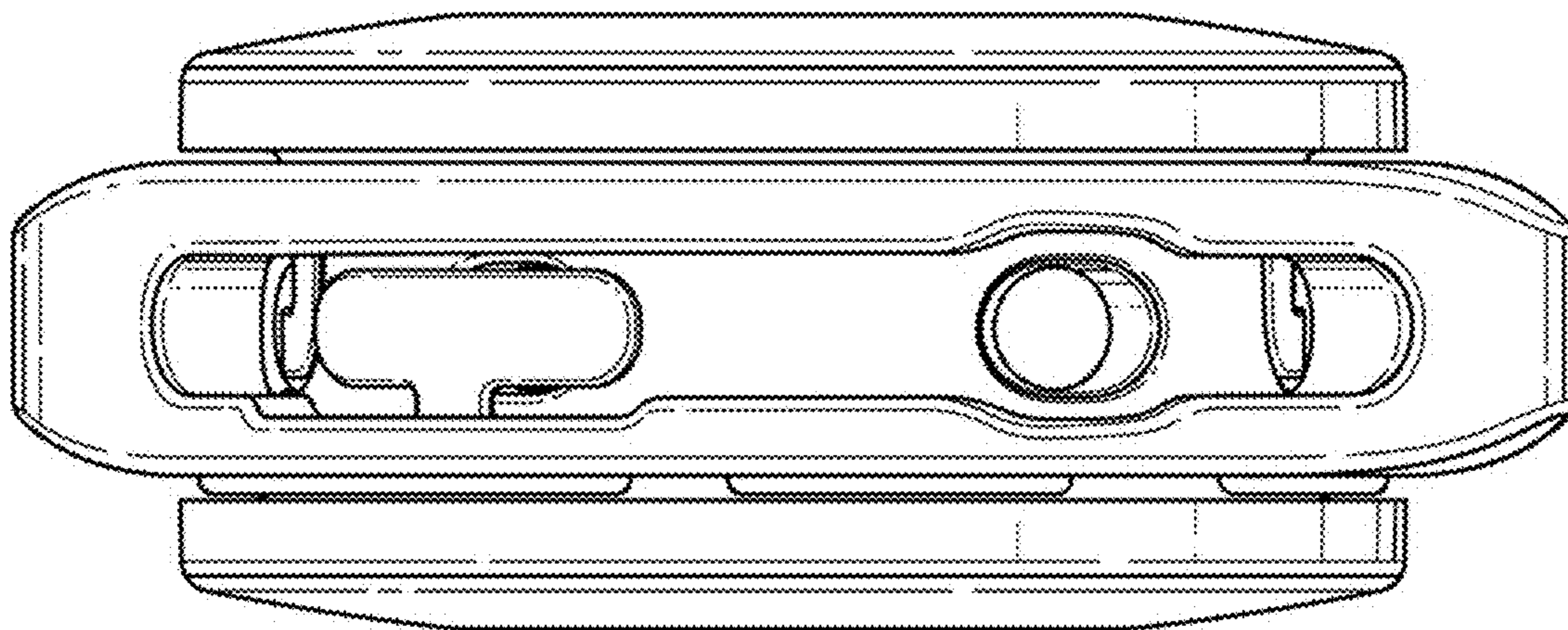


FIGURE 10

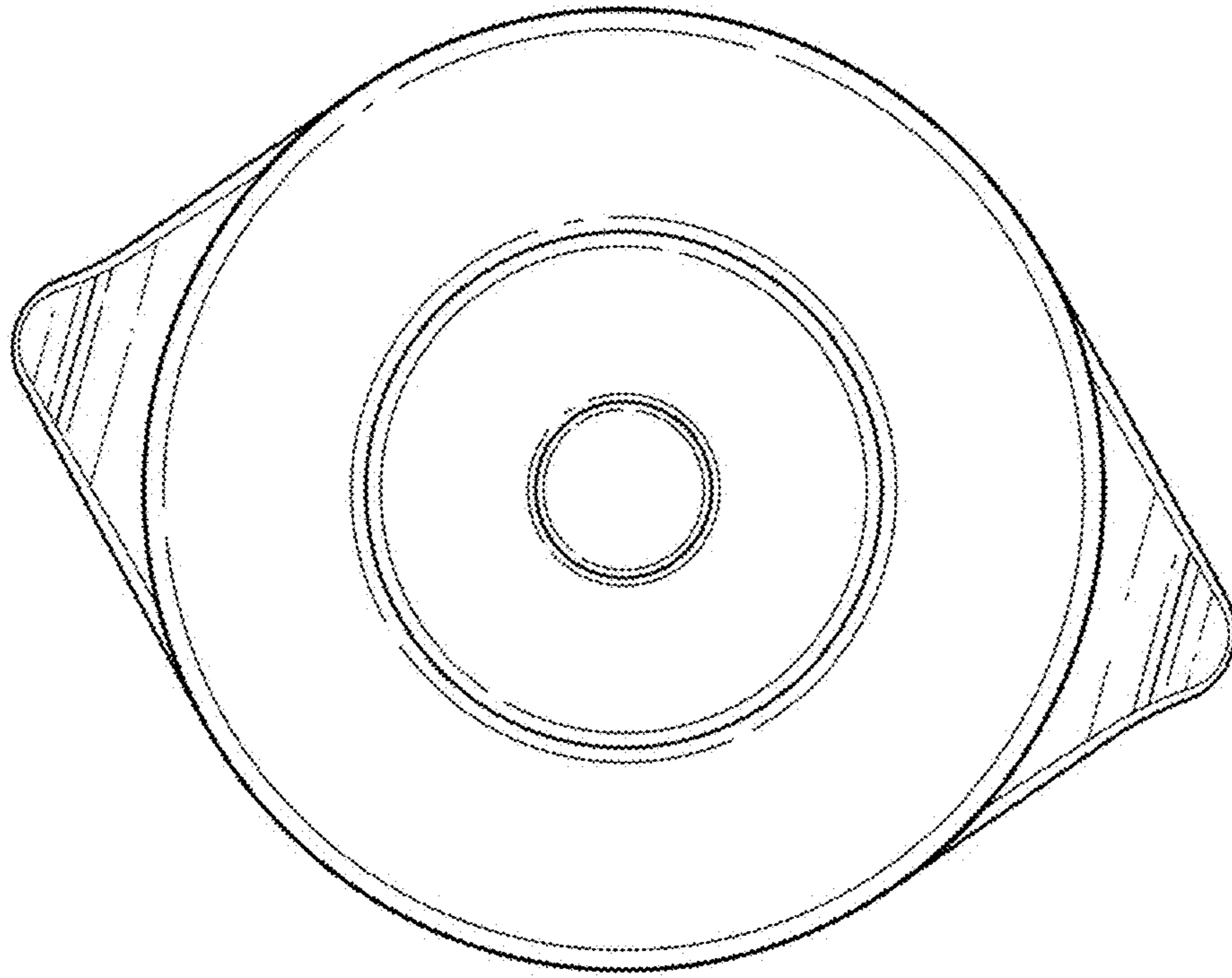


FIGURE 11

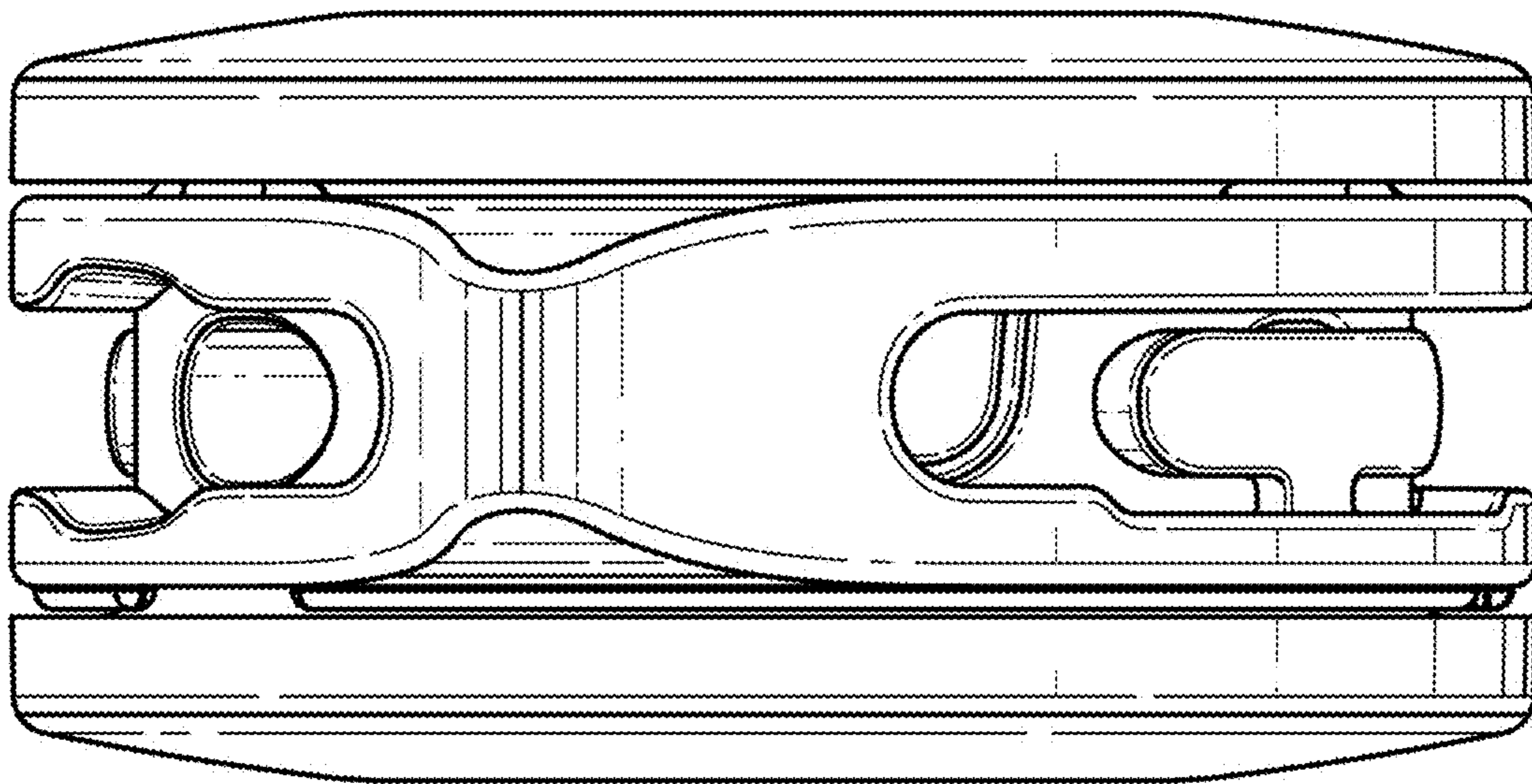


FIGURE 12

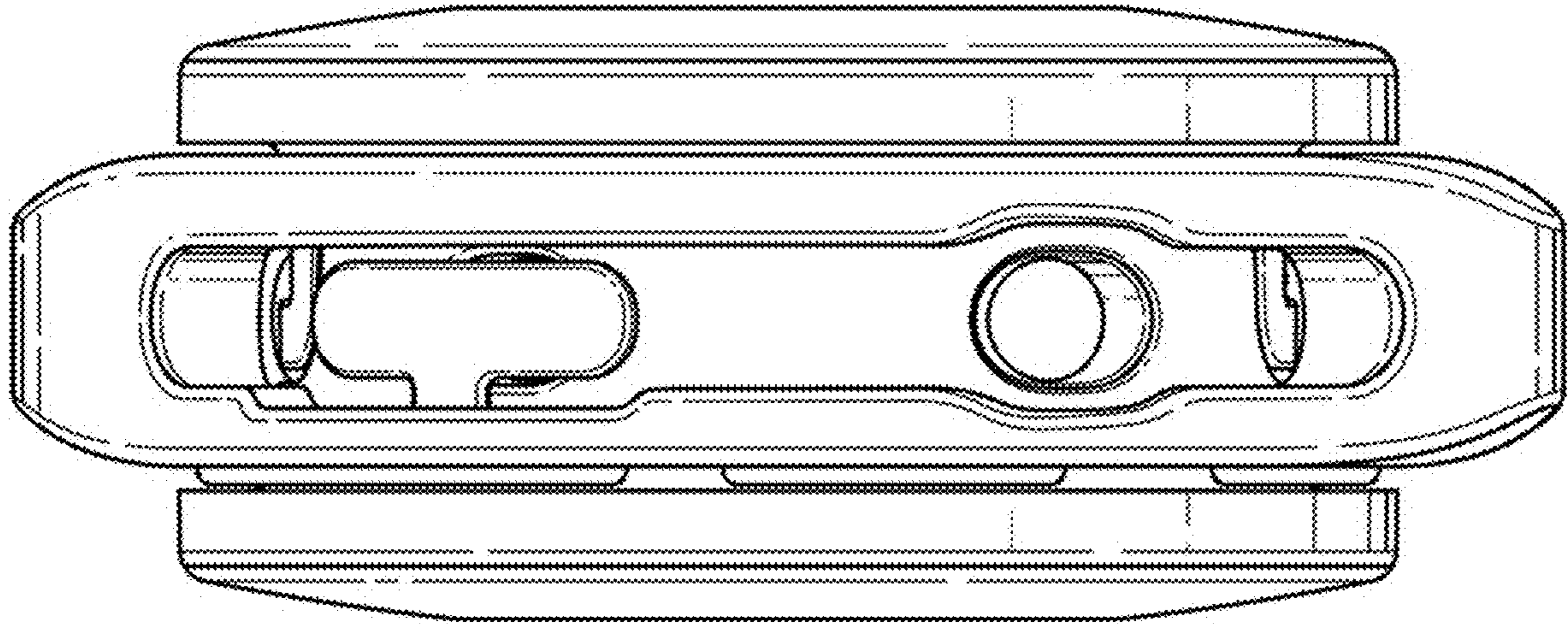


FIGURE 13

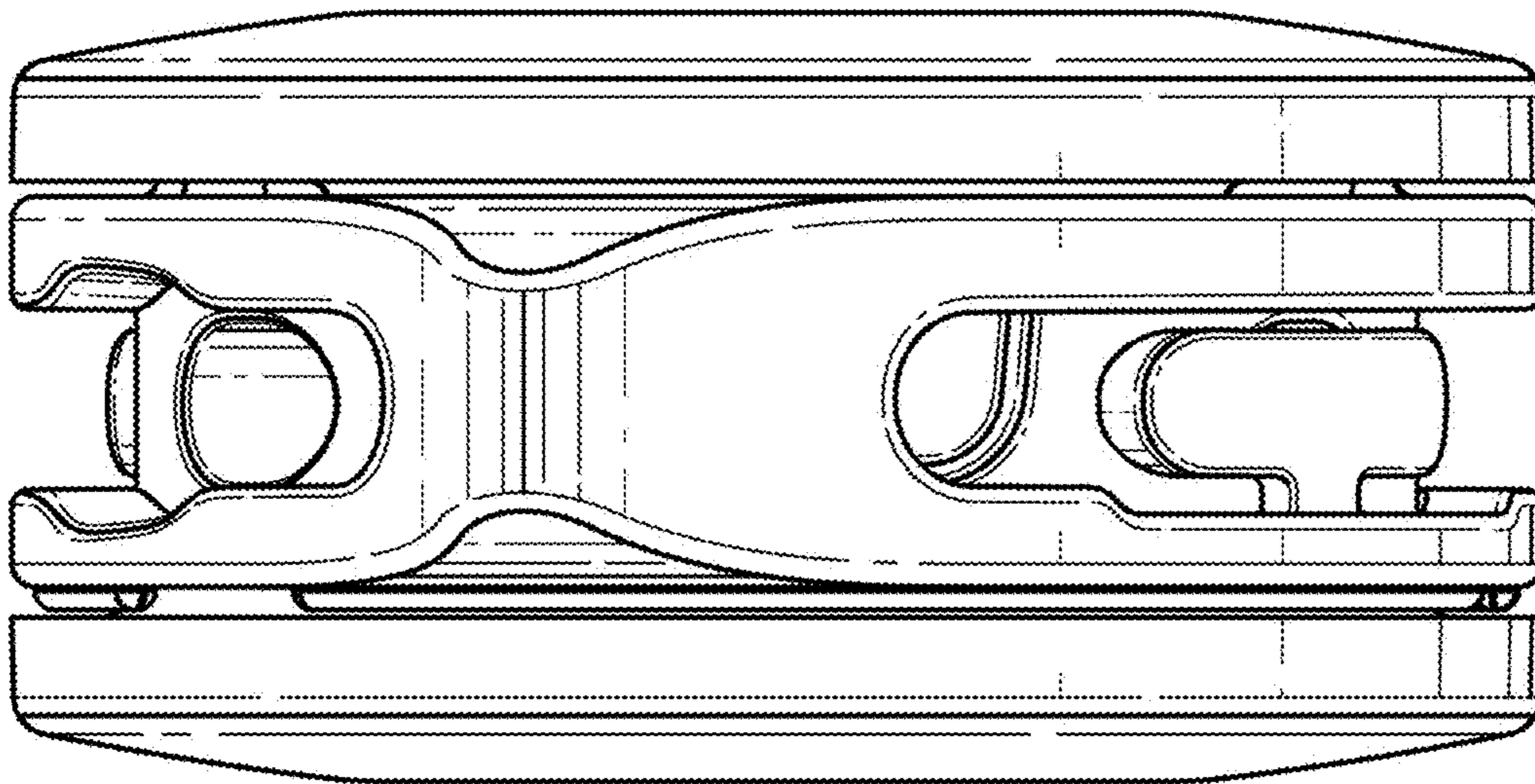


FIGURE 14