

US00D928598S

(12) **United States Design Patent** (10) **Patent No.:** **US D928,598 S**
Aubin (45) **Date of Patent:** **** Aug. 24, 2021**

(54) **ZERO LEAD STEERABLE CASTER ASSEMBLY**

(71) Applicant: **Philip Aubin**, Tracy, CA (US)

(72) Inventor: **Philip Aubin**, Tracy, CA (US)

(**) Term: **15 Years**

(21) Appl. No.: **29/628,633**

(22) Filed: **Dec. 6, 2017**

(51) **LOC (13) Cl.** **08-05**

(52) **U.S. Cl.**
USPC **D8/375**

(58) **Field of Classification Search**
USPC D8/321, 359, 374, 375, 376, 377, 400,
D8/61, 64, 70, 363, 381, 354, 349, 403,
D8/57, 69, 310; D3/276; D6/587;
D7/318, 393, 600, 622, 705, 624.1, 502,
D7/553.1, 553.2, 553.4, 553.5, 553.6,
D7/554.2, 554.3; D9/531; D14/238, 373,
D14/448, 451, 452; D25/38.1, 41.1, 43,
D25/48.2, 48.3

CPC Y10T 16/10; Y10T 16/104; Y10T 16/124;
Y10T 16/1263; Y10T 16/127; Y10T
16/131; Y10T 16/14; Y10T 16/35; Y10T
16/3543; Y10T 16/37; Y10T 16/376;
Y10T 16/379; Y10T 16/387; Y10T
24/44573; Y10T 29/53543; Y10T
137/6903; Y10T 16/372; Y10T 16/375;
Y10T 16/378; Y10T 16/3797; A47H 1/02;
B60B 33/00; B60B 33/0015; B60B
33/0028; B60B 33/0044; B60B 33/0049

See application file for complete search history.

(56) **References Cited**

U.S. PATENT DOCUMENTS

2,544,924 A * 3/1951 Herold B60B 33/0028
105/170
D308,934 S * 7/1990 Howell D8/375
D435,301 S * 12/2000 Shows D25/38.1

7,413,259 B2 * 8/2008 Verdun B60B 11/06
188/17
9,174,805 B2 * 11/2015 Mallaghan B65G 21/14
9,527,347 B2 * 12/2016 Spektor B60B 33/0076
9,931,889 B2 * 4/2018 Merkel B60B 35/1054
10,285,527 B2 * 5/2019 Mullet A47H 1/02
10,336,135 B1 * 7/2019 Engelbrecht B60B 33/0063
2015/0036953 A1 * 2/2015 Wada F16C 29/0609
384/44

(Continued)

OTHER PUBLICATIONS

Caster Concepts Launches Custom Caster Configurator, Oct. 16, 2013, [retrieved Mar. 29, 2020]. Retrieved from Internet, <URL: <https://www.woodworkingnetwork.com/wood-market-trends/woodworking-industry-trends-press-releases/Caster-Concepts-Launches-Custom-Caster-Configurator-228041721.html> >.*

Primary Examiner — Leanne Was-Englehart

(57) **CLAIM**

The ornamental design for a zero lead steerable caster assembly, as shown and described.

DESCRIPTION

FIG. 1 is a front, side elevation view of a zero lead steerable caster assembly of the invention.

FIG. 2 is a front elevation of a zero lead steerable caster assembly of the invention.

FIG. 3 is a bottom view of a zero lead steerable caster assembly of the invention.

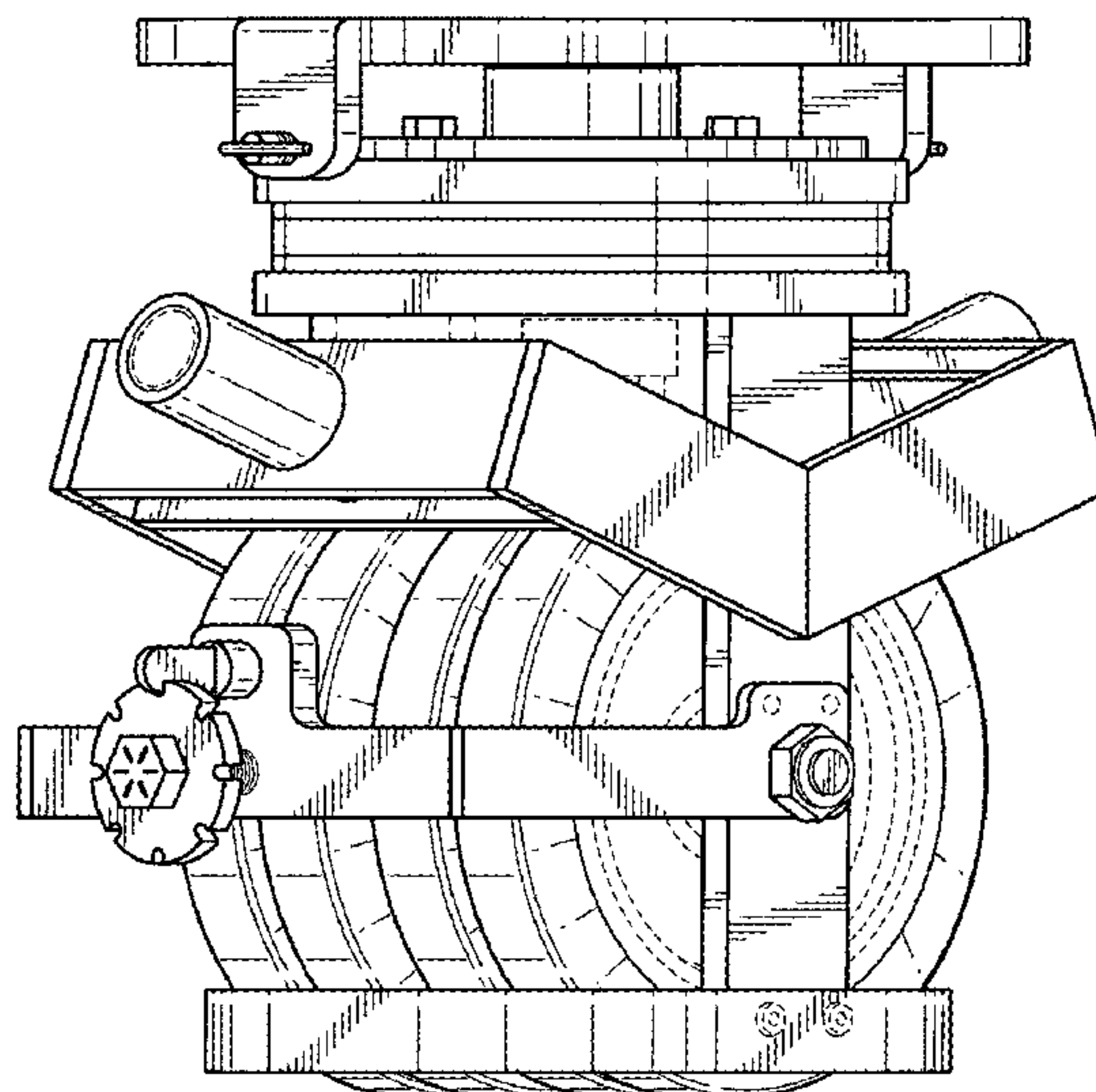
FIG. 4 is a rear elevation of a zero lead steerable caster assembly of the invention.

FIG. 5 is a side elevation of a zero lead steerable caster assembly of the invention; and,

FIG. 6 is a top view of a zero lead steerable caster assembly of the invention.

The broken lines in the figures depict portions of the zero lead steerable caster assembly that form no part of the claimed design.

1 Claim, 5 Drawing Sheets



(56)

References Cited

U.S. PATENT DOCUMENTS

2016/0236709 A1* 8/2016 Faymonville B60B 35/10
2018/0162161 A1* 6/2018 Aubin B60B 33/0005

* cited by examiner

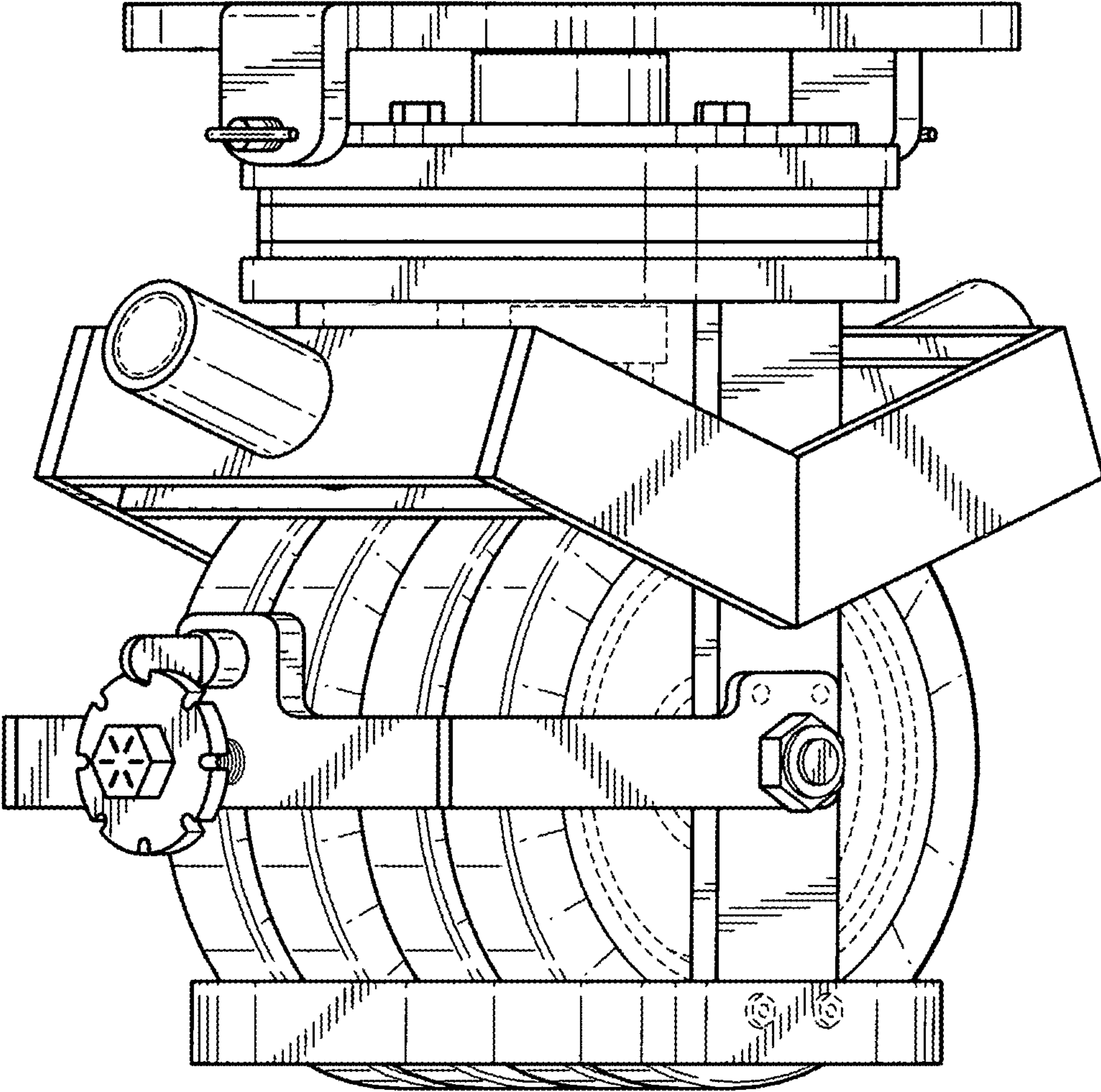


FIG. 1

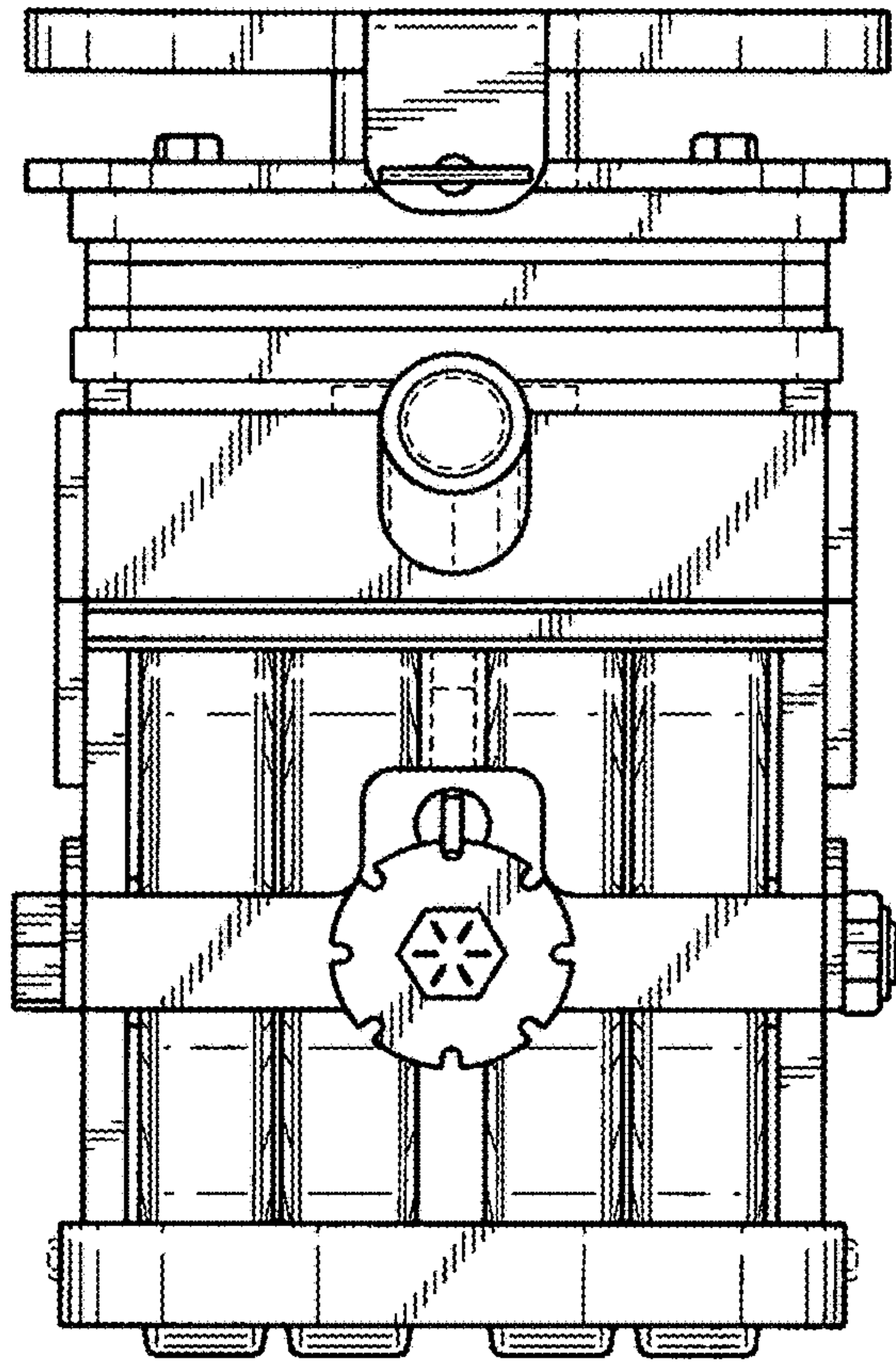


FIG. 2

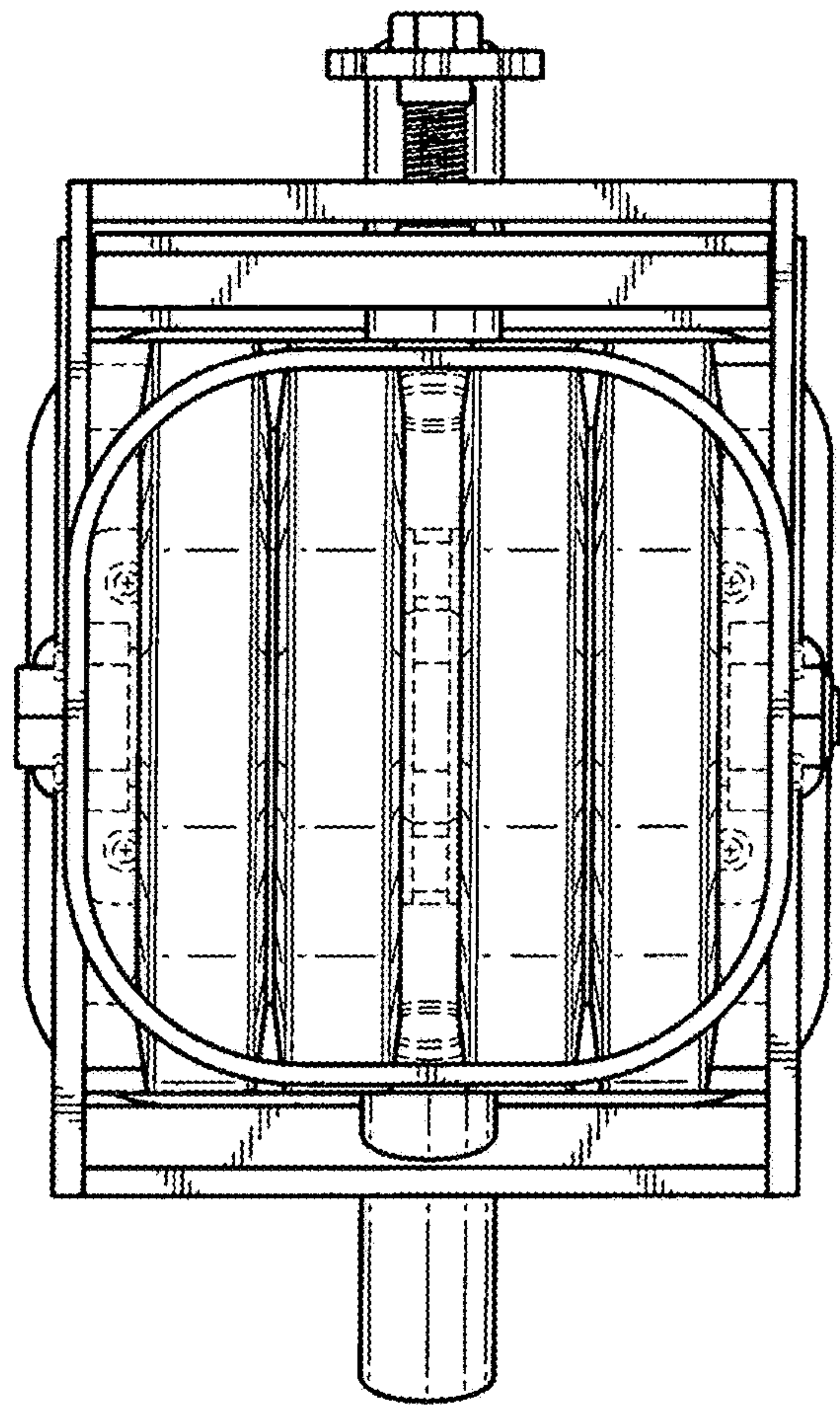


FIG. 3

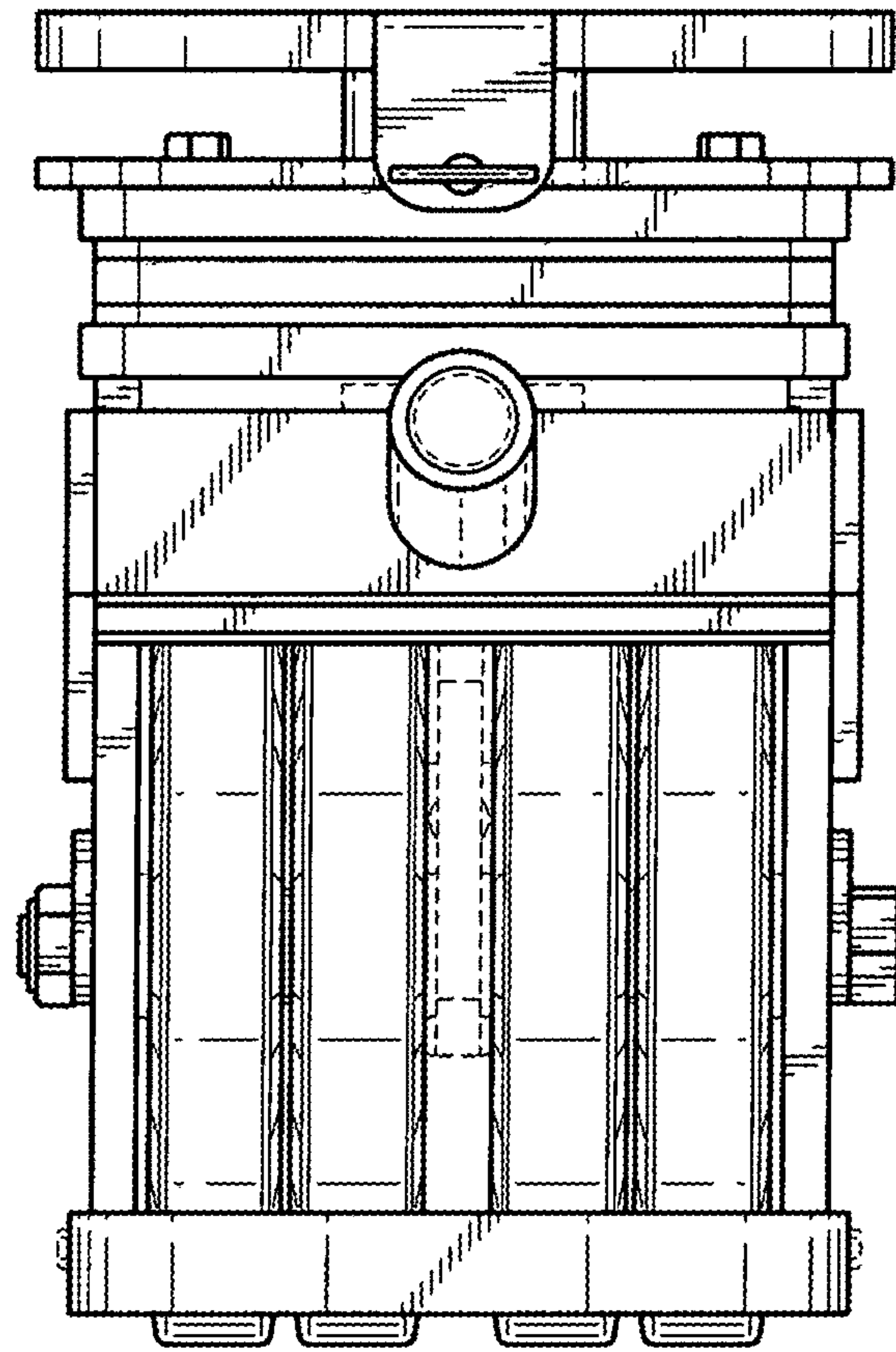


FIG. 4

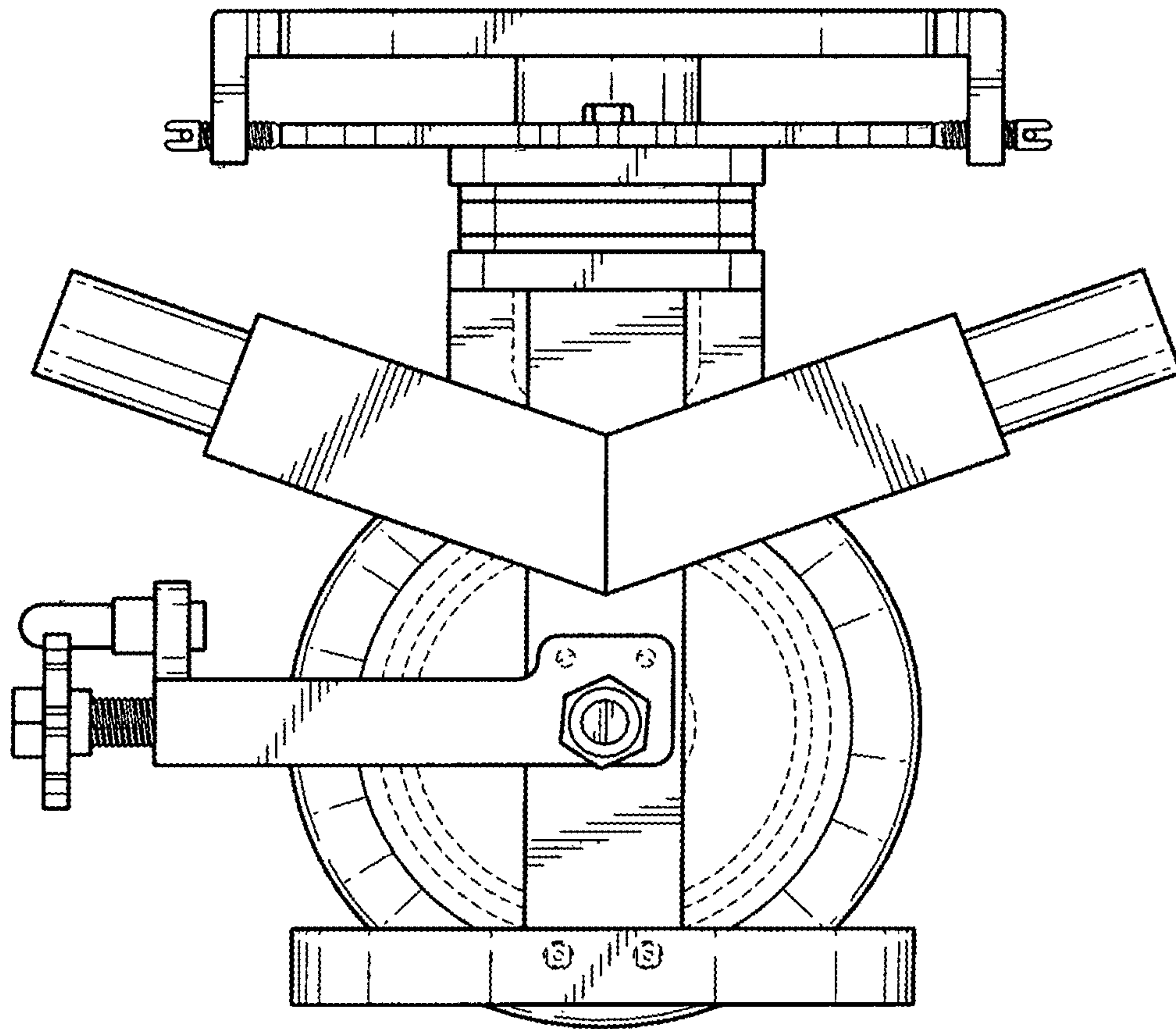


FIG. 5

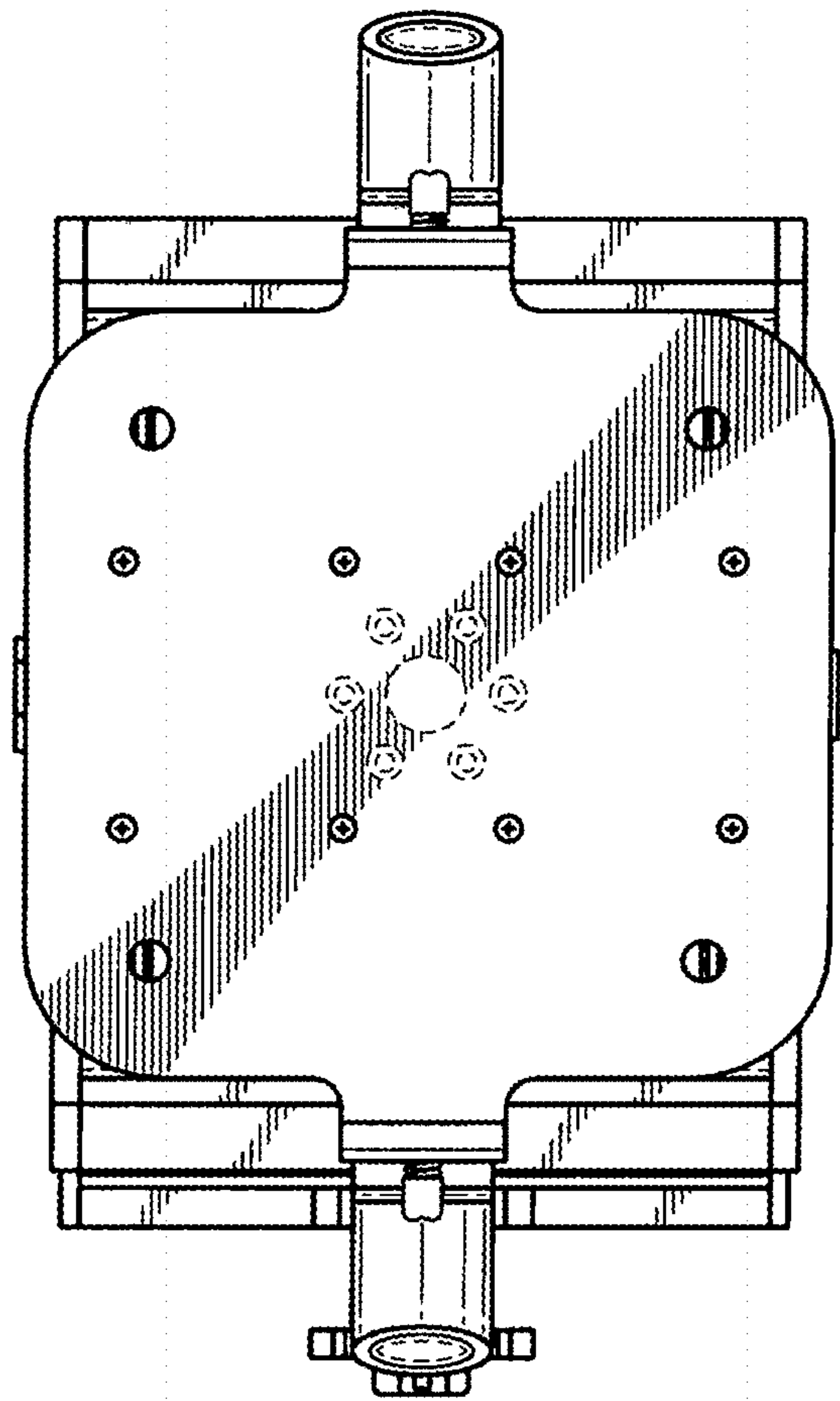


FIG. 6