



US00D928597S

(12) **United States Design Patent** (10) **Patent No.:** **US D928,597 S**
Nucci et al. (45) **Date of Patent:** **** Aug. 24, 2021**

(54) **HAT AND COAT RACK**
(71) Applicant: **Cotapaxi Custom Design and Manufacturing LLC**, Carlstadt, NJ (US)
(72) Inventors: **Marc Nucci**, Wayne, NJ (US); **Christon Suess**, Lodi, NJ (US)
(73) Assignee: **Cotapaxi Custom Design and Manufacturing LLC**, Carlstadt, NJ (US)

D326,603 S * 6/1992 Rogers D6/323
D327,213 S * 6/1992 Murphy D8/367
D333,085 S * 2/1993 Thomsen D8/349
D348,386 S * 7/1994 Cogburn D8/367
D421,714 S * 3/2000 Moscovitch D8/331
D459,980 S * 7/2002 Nishida D8/367
D470,937 S * 2/2003 Gary D24/138
D496,849 S * 10/2004 Abdi D8/367
D511,088 S * 11/2005 Chiu D8/367
D617,998 S * 6/2010 Goodman D6/323
D666,082 S * 8/2012 Wu D8/367

(Continued)

(**) Term: **15 Years**
(21) Appl. No.: **29/701,162**
(22) Filed: **Aug. 8, 2019**
(51) **LOC (13) Cl.** **08-05**
(52) **U.S. Cl.**
USPC **D8/373**
(58) **Field of Classification Search**
USPC D8/373, 380-381, 385, 354, 71, 356, D8/363, 367, 372, 379, 382; D11/79, 93, D11/208, 218; D6/315, 323; D12/162
CPC . A47F 5/00; A47G 1/1633; A47G 1/20; F16L 3/1025; F16L 3/1083; F16L 3/1091; F16L 3/11; F16M 13/022; F16M 13/027
See application file for complete search history.

OTHER PUBLICATIONS

Triple Hat Coat Modern Hanger Hook, Date Visited: Jun. 29, 2021, On Buy, Date Available: Jun. 29, 2021, <https://www.onbuy.com/gb/5x-triple-hat-coat-modern-hanger-hook-door-wall-bath-104mm-black~c13722~p19177937> (Year: 2021).*

(Continued)

Primary Examiner — Susan Bennett Hattan
Assistant Examiner — Elizabeth S Ko
(74) *Attorney, Agent, or Firm* — Steven E. Shapiro

(57) **CLAIM**

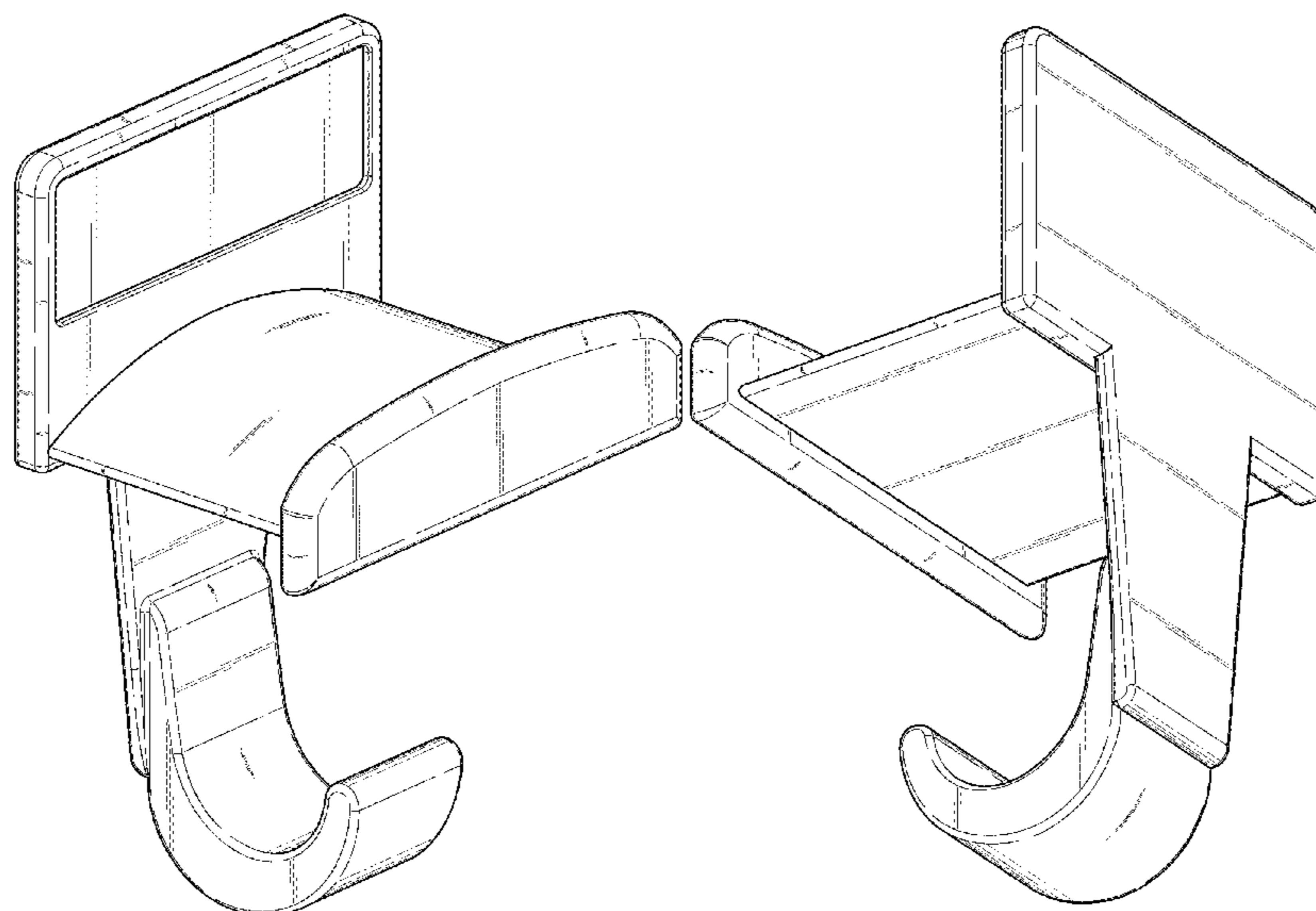
The ornamental design for a hat and coat rack, as shown and described.

DESCRIPTION

FIG. 1 is a top, front, left side perspective view of a hat and coat rack;
FIG. 2 is a rear, bottom, right side perspective view of the hat and coat rack;
FIG. 3 is a front plan view of the hat and coat rack;
FIG. 4 is a rear plan view of the hat and coat rack;
FIG. 5 is a left side plan view of the hat and coat rack;
FIG. 6 is a right side plan view of the hat and coat rack;
FIG. 7 is a top plan view of the hat and coat rack; and,
FIG. 8 is a bottom plan view of the hat and coat rack.

1 Claim, 8 Drawing Sheets

(56) **References Cited**
U.S. PATENT DOCUMENTS
D243,426 S * 2/1977 Joslyn D6/567
D249,327 S * 9/1978 Gaines D8/367
D254,707 S * 4/1980 Einhorn D8/367
D254,881 S * 5/1980 Pyskaty D6/526
D300,406 S * 3/1989 Bordian 248/304
D304,655 S * 11/1989 Pool D6/323
D312,385 S * 11/1990 Hamann D8/367
D312,959 S * 12/1990 Hamann 248/220.43
D312,960 S * 12/1990 Embree D6/572
D315,091 S * 3/1991 Embree D8/367



(56)

References Cited

U.S. PATENT DOCUMENTS

D724,346 S * 3/2015 Lim D6/553
 D727,657 S * 4/2015 Lim D6/553
 D727,718 S * 4/2015 Hall D8/373
 D769,107 S * 10/2016 Hall D8/373
 9,936,828 B1 * 4/2018 Adams, IV A47G 1/17
 D821,184 S * 6/2018 Berger D8/367
 D829,538 S * 10/2018 Kim D8/367
 D839,721 S * 2/2019 Downey D8/367
 D842,686 S * 3/2019 Dittrich D8/372
 D847,620 S * 5/2019 Umholtz D8/372
 D861,467 S * 10/2019 Woolman D8/367
 D863,943 S * 10/2019 Knight D8/367
 D872,567 S * 1/2020 Bond D8/373
 D878,909 S * 3/2020 Krake D8/367
 D887,254 S * 6/2020 Bond D8/367
 D906,097 S * 12/2020 Krull D8/367
 2003/0189148 A1 * 10/2003 Immerman A47G 25/0614
 2010/0096513 A1 * 4/2010 Beebe E04H 4/14
 248/304
 248/75

OTHER PUBLICATIONS

Coat Hook in Aluminum, Date Visited: Jun. 29, 2021, My Knobs,
 Date Available: Feb. 2019, [https://www.myknobs.com/smeb1048.html?gclid=](https://www.myknobs.com/smeb1048.html?gclid=EAlalQobChM1ti6jfc88QIVqW1vBB3Z5wk9EAsYASABEgLmYvD_BwE)
 EAlalQobChM1ti6jfc88QIVqW1vBB3Z5wk9EAsYASABEgLmYvD_
 BwE (Year: 2019).*
 Bathroom Self Adhesive Hooks, Date Visited: Jun. 29, 2021, Ebay,
 Date Available: Jun. 29, 2021, <https://www.ebay.com/itm/323965140492> (Year: 2021).*
 Rebrilliant Adhesive Wall Hook, Date Visited: Jun. 29, 2021,
 Wayfair, Date Available: Jun. 29, 2021, <https://www.wayfair.com/contractor/pdp/rebrilliant-adhesive-wall-hooks-bathroom-towel-hooks-hanger-stainless-steel-waterproof-self-adhesive-hooks-for-coat-hat-towel-robe-rack-4-pack-w005524133.html> (Year: 2021).*

* cited by examiner

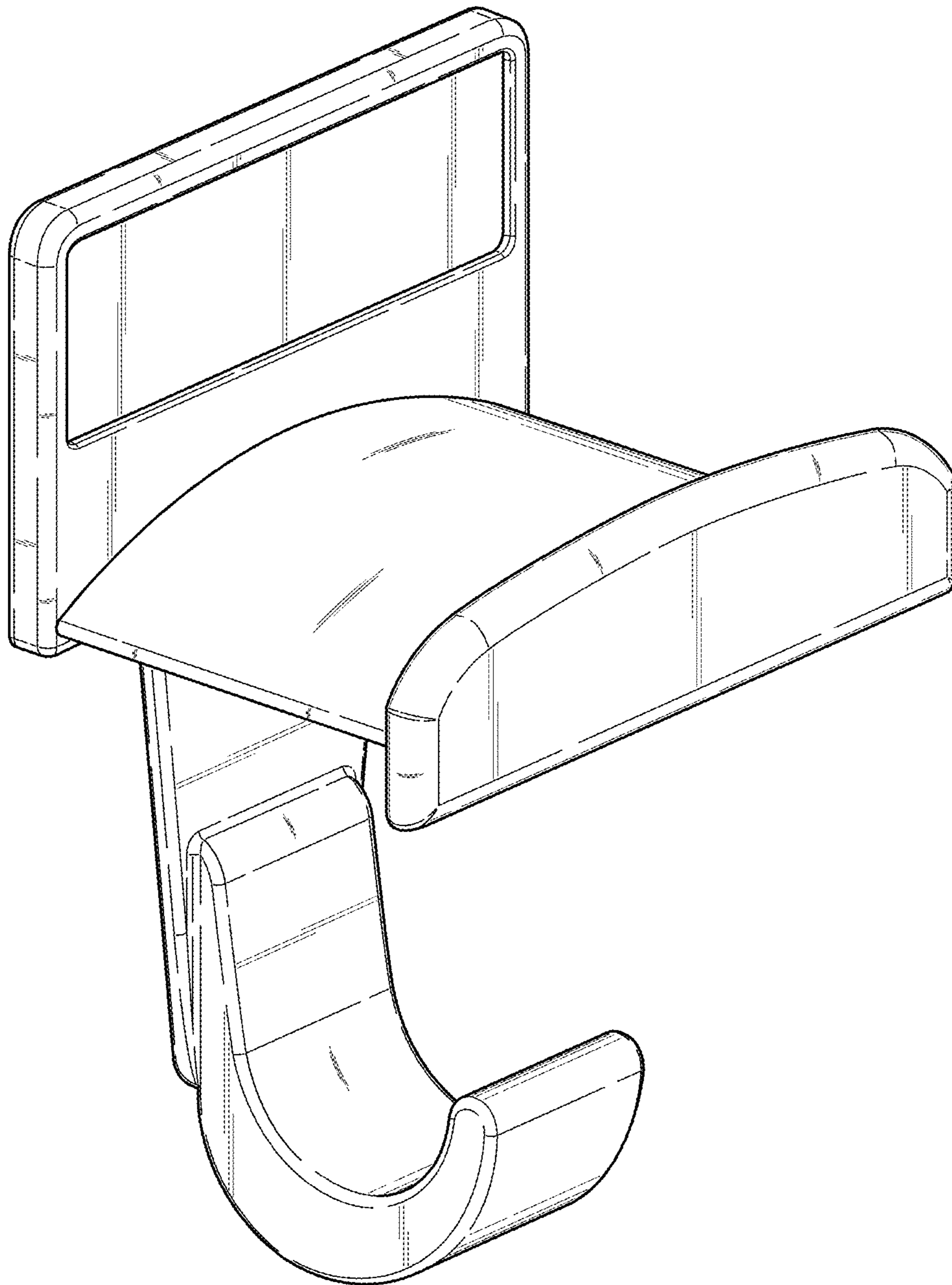


FIG. 1

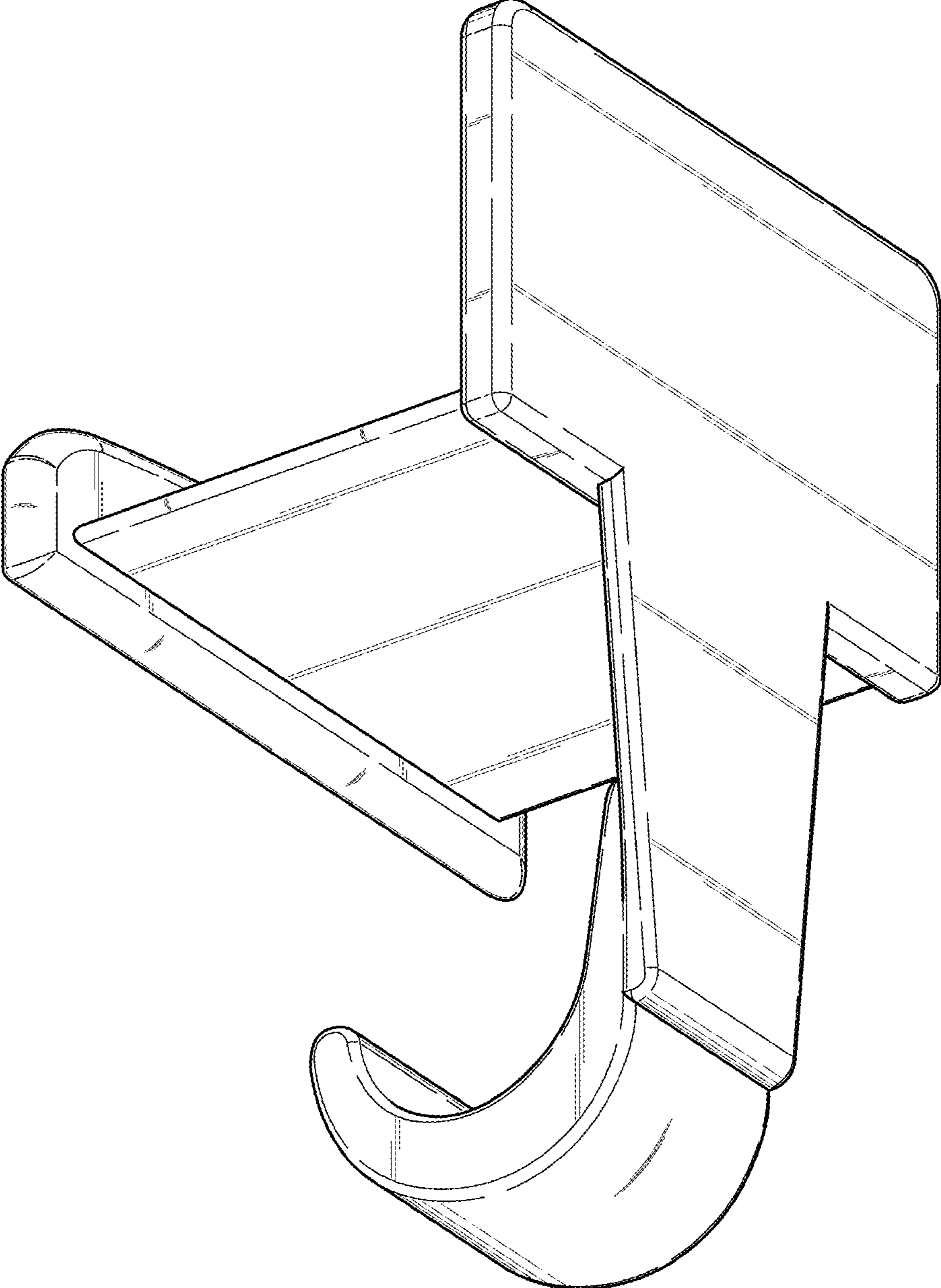


FIG. 2

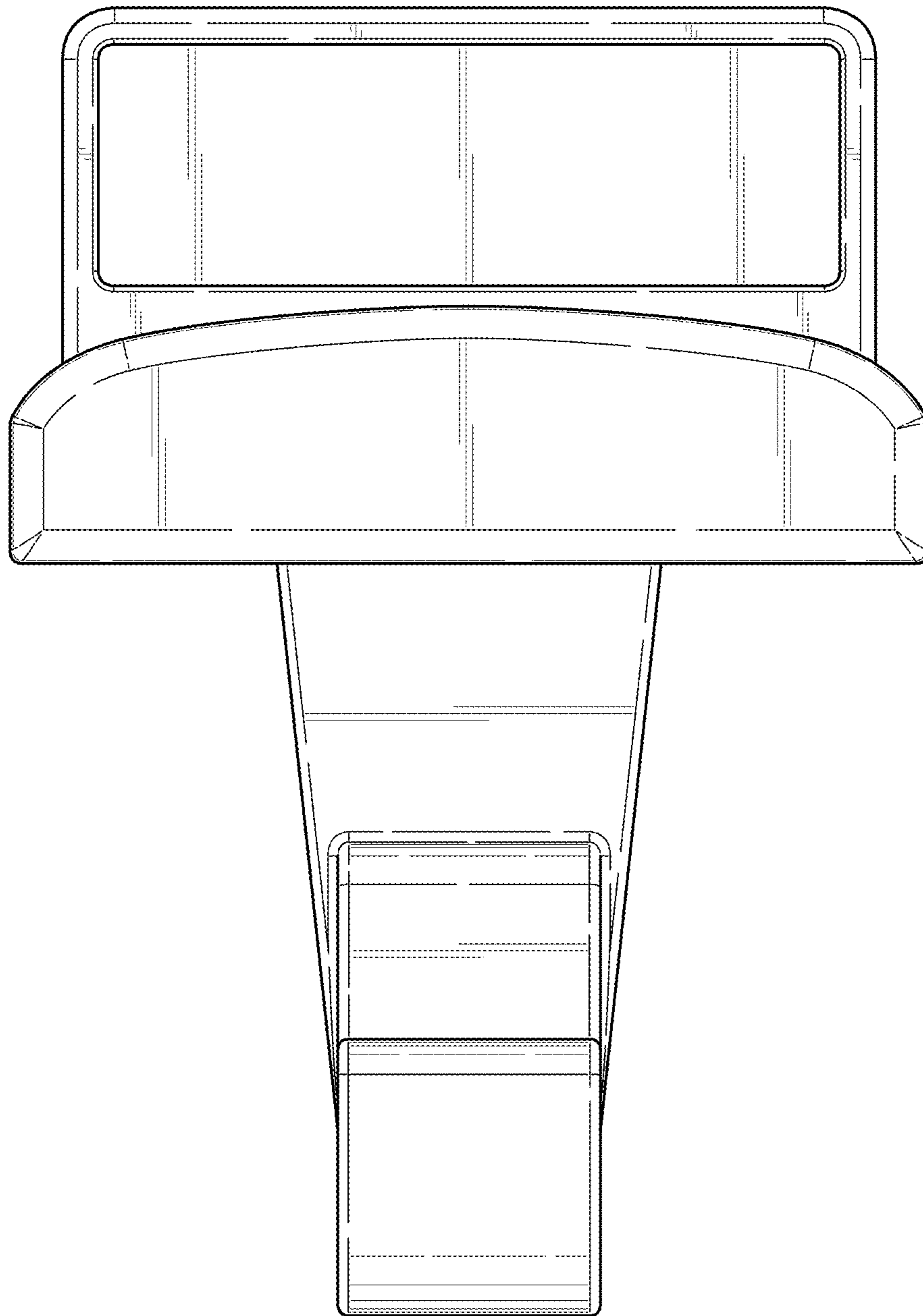


FIG. 3

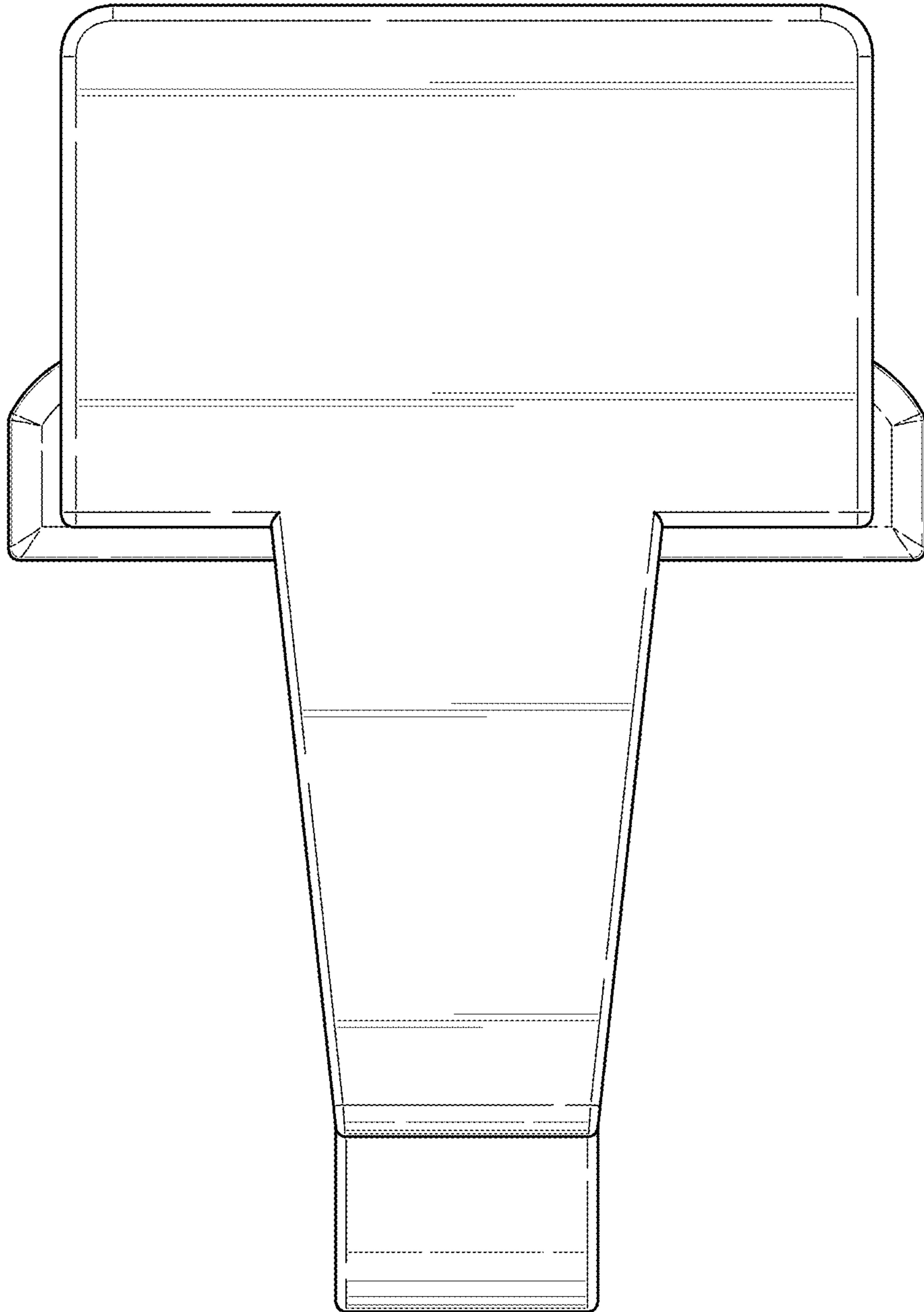


FIG. 4

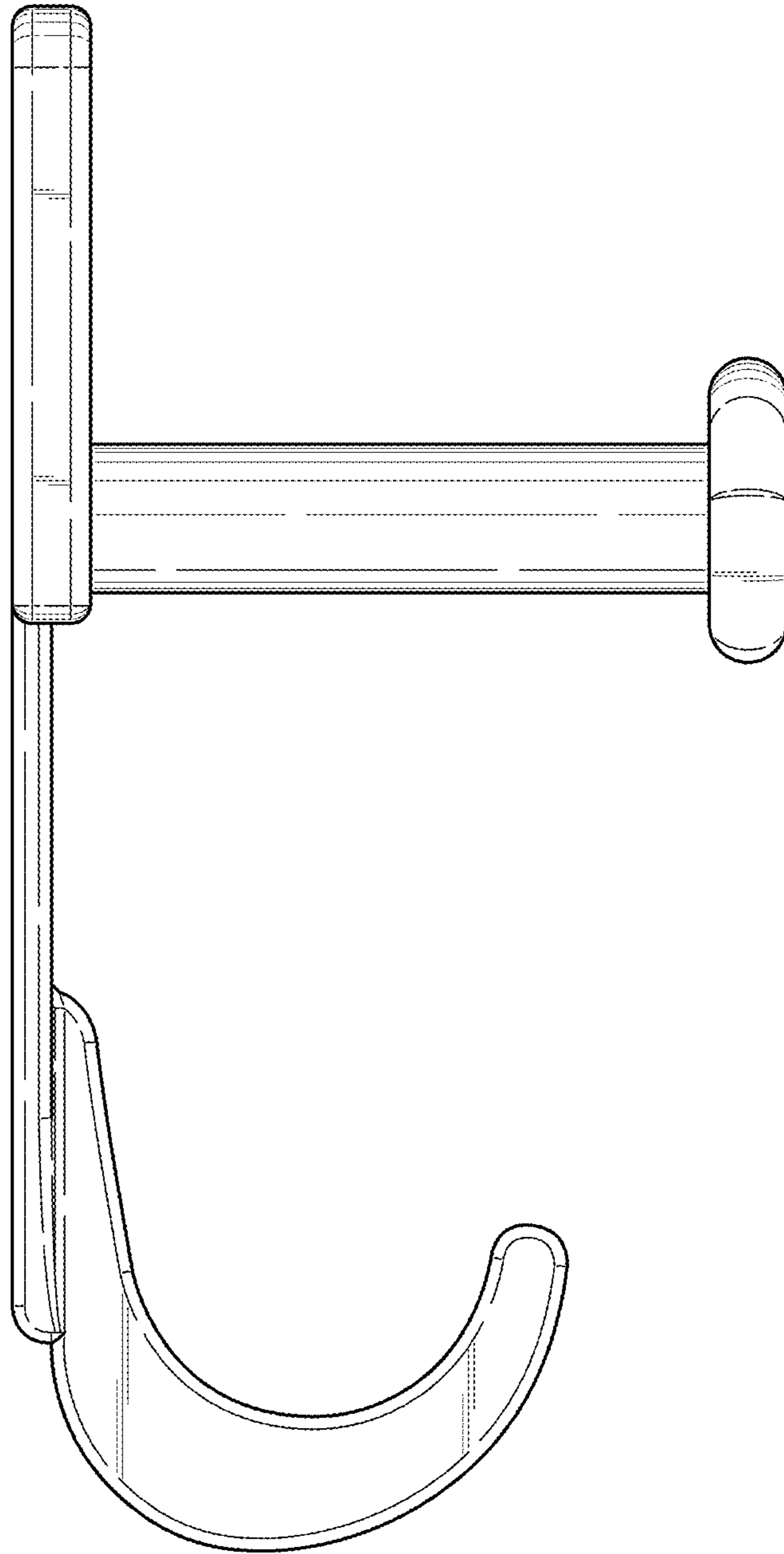


FIG. 5

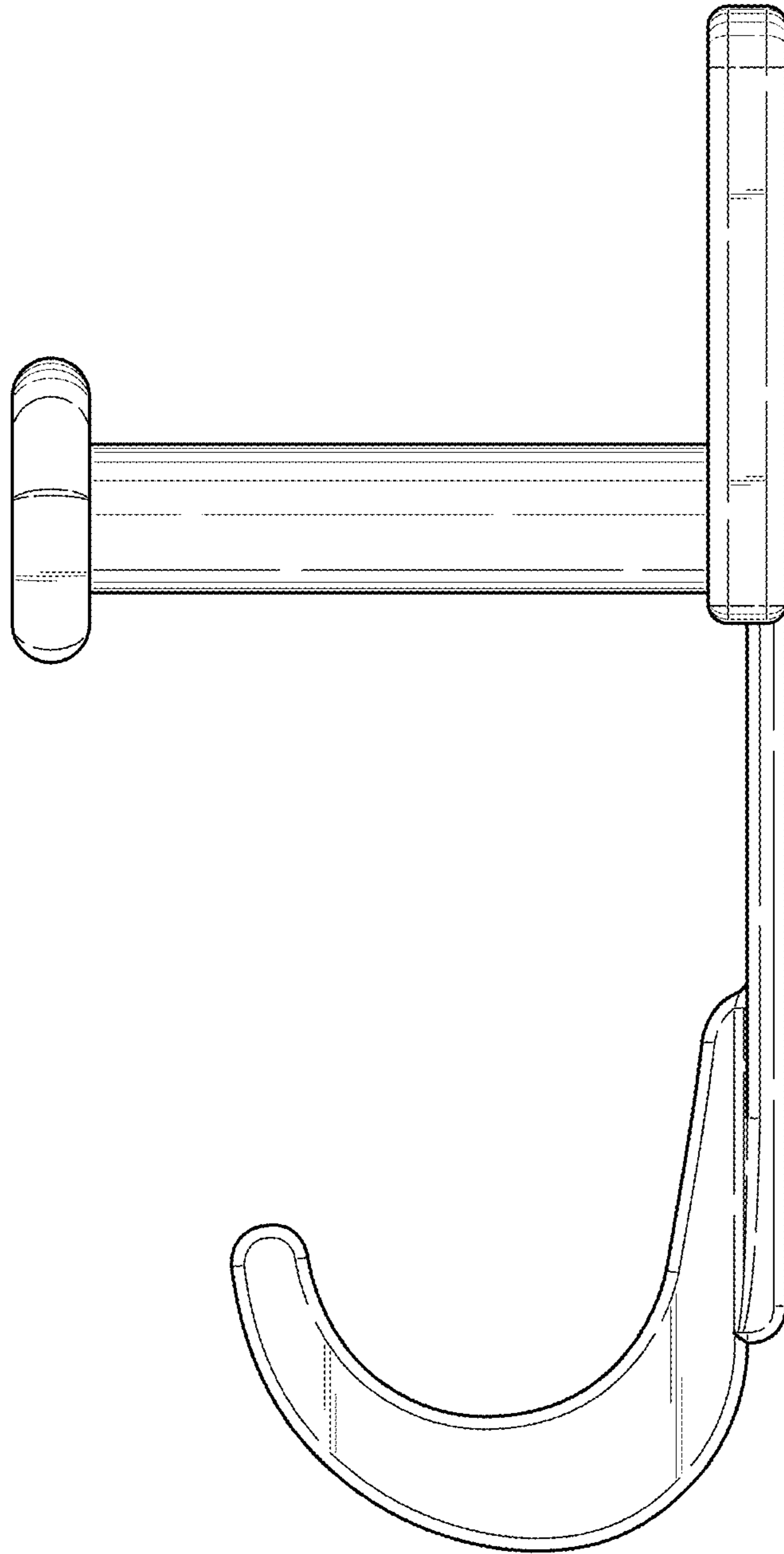


FIG. 6

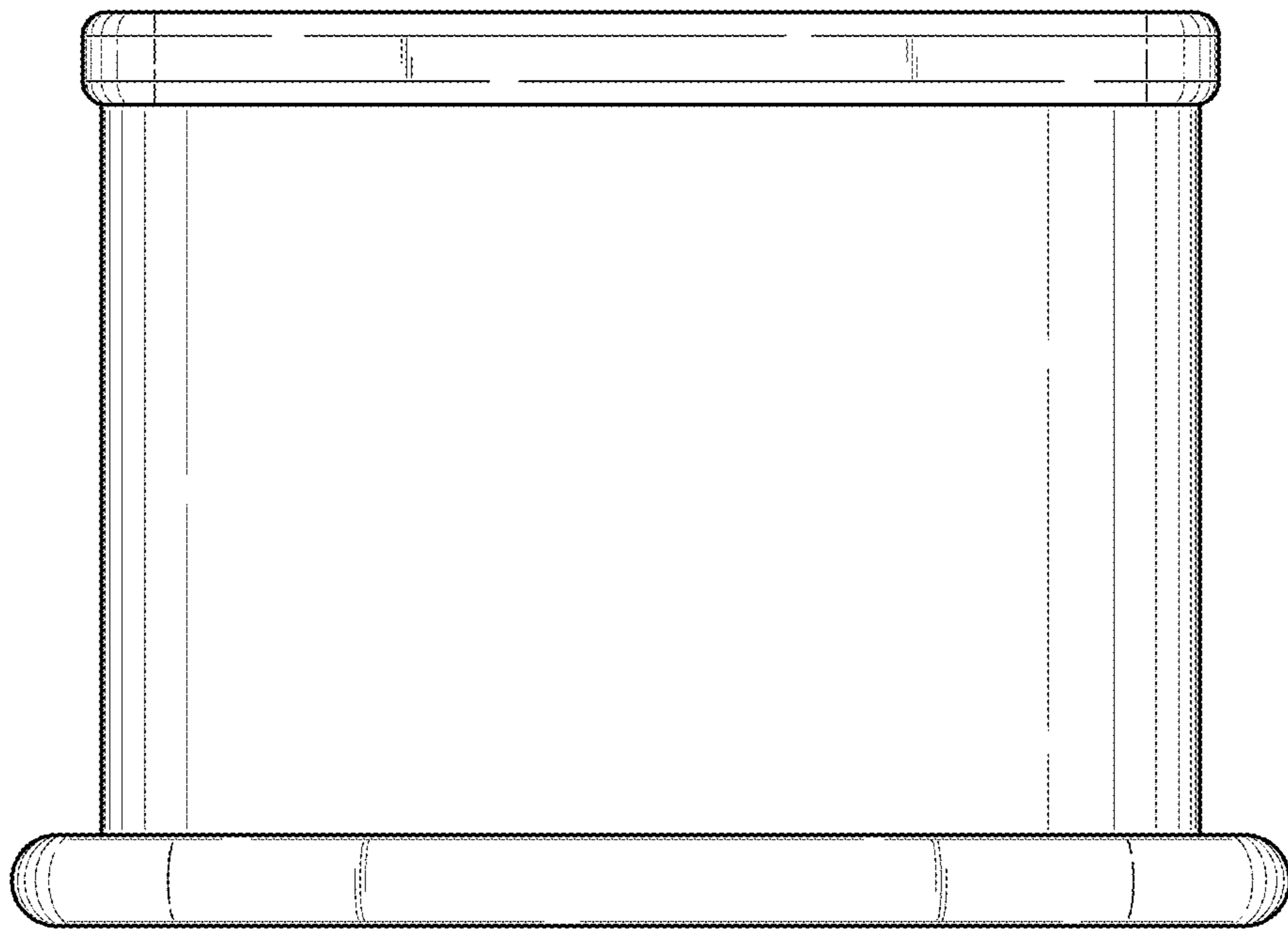


FIG. 7

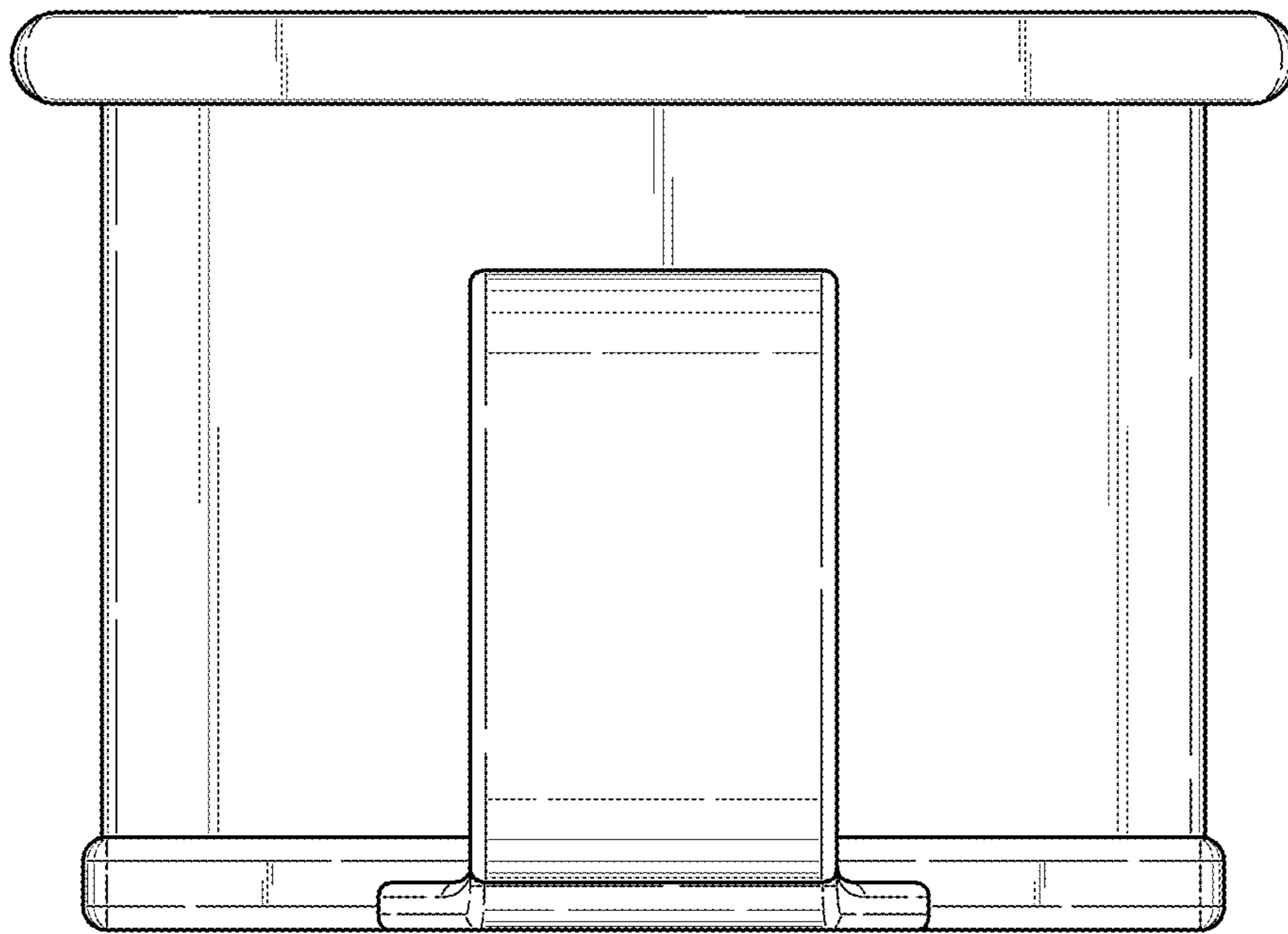


FIG. 8