



US00D928596S

(12) **United States Design Patent** (10) **Patent No.:** **US D928,596 S**  
**Lane** (45) **Date of Patent:** **\*\* Aug. 24, 2021**

- |   |  |
|---|--|
| (54) <b>WALL DECOR HANGER</b>                       | 3,867,788 A * 2/1975 Mickelson ..... A47G 7/047<br>47/67 |
| (71) Applicant: <b>Natalie Lane</b> , Brisbane (AU) | 4,262,873 A * 4/1981 Prenger ..... A47G 7/047<br>248/318 |
| (72) Inventor: <b>Natalie Lane</b> , Brisbane (AU)  | D261,454 S * 10/1981 Hobrecht ..... D11/148              |
| (73) Assignee: <b>Natalie Lane</b> , Brisbane (AU)  | D262,687 S * 1/1982 Collet ..... D8/355                  |
| (**) Term: <b>15 Years</b>                          | D432,943 S * 10/2000 Schottin ..... D11/143              |
|   | D630,125 S * 1/2011 Vogt ..... D11/164                   |
|   | D644,144 S * 8/2011 Logan ..... D11/164                  |
|   | D784,849 S * 4/2017 Liu ..... D11/121                    |
|   | D887,822 S * 6/2020 Klaar ..... D8/373                   |

(21) Appl. No.: **29/645,091**

(22) Filed: **Apr. 23, 2018**

(30) **Foreign Application Priority Data**

Oct. 26, 2017 (AU) ..... 201716509

(51) **LOC (13) Cl.** ..... **08-05**

(52) **U.S. Cl.**  
USPC ..... **D8/373**

(58) **Field of Classification Search**  
USPC ..... D8/373, 363, 380, 372, 371; D6/403,  
D6/556

CPC ..... A47G 1/16  
See application file for complete search history.

(56) **References Cited**

**U.S. PATENT DOCUMENTS**

- |   |
|---|
| 778,786 A * 12/1904 Kramer ..... A47G 7/047<br>248/318  |
| 1,455,961 A * 5/1923 Maier ..... A47G 1/1666<br>248/493 |

\* cited by examiner

*Primary Examiner* — Eliza Z Bennett-Hattan

(57) **CLAIM**

The ornamental design for the wall decor hanger, as shown and described.

**DESCRIPTION**

- FIG. 1 Top view  
 FIG. 2 Perspective view  
 FIG. 3 Front view; and,  
 FIG. 4 Side view

In the drawings, the broken lines depict environmental subject matter only and form no part of the claimed design.

**1 Claim, 4 Drawing Sheets**

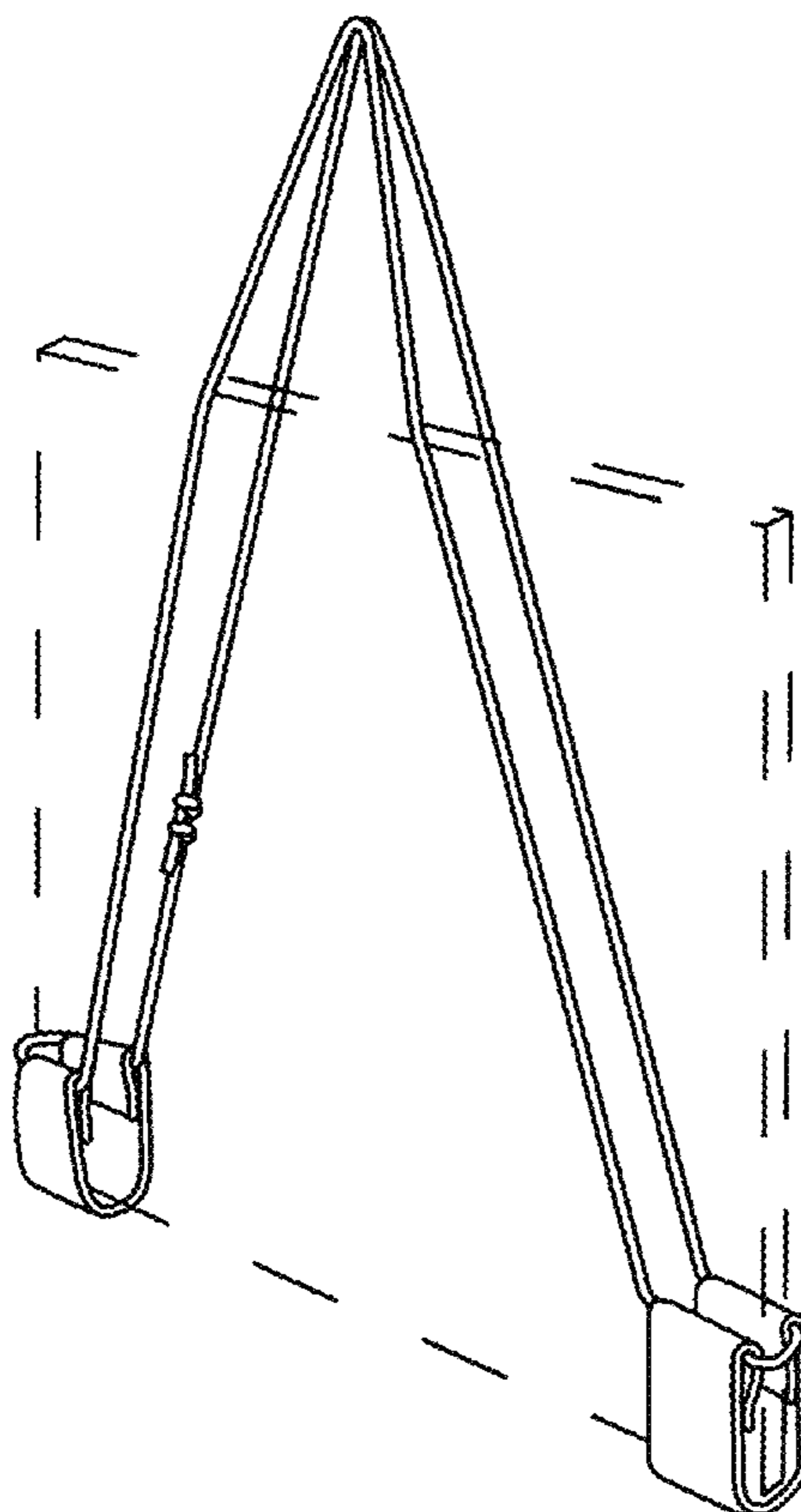




Fig. 1

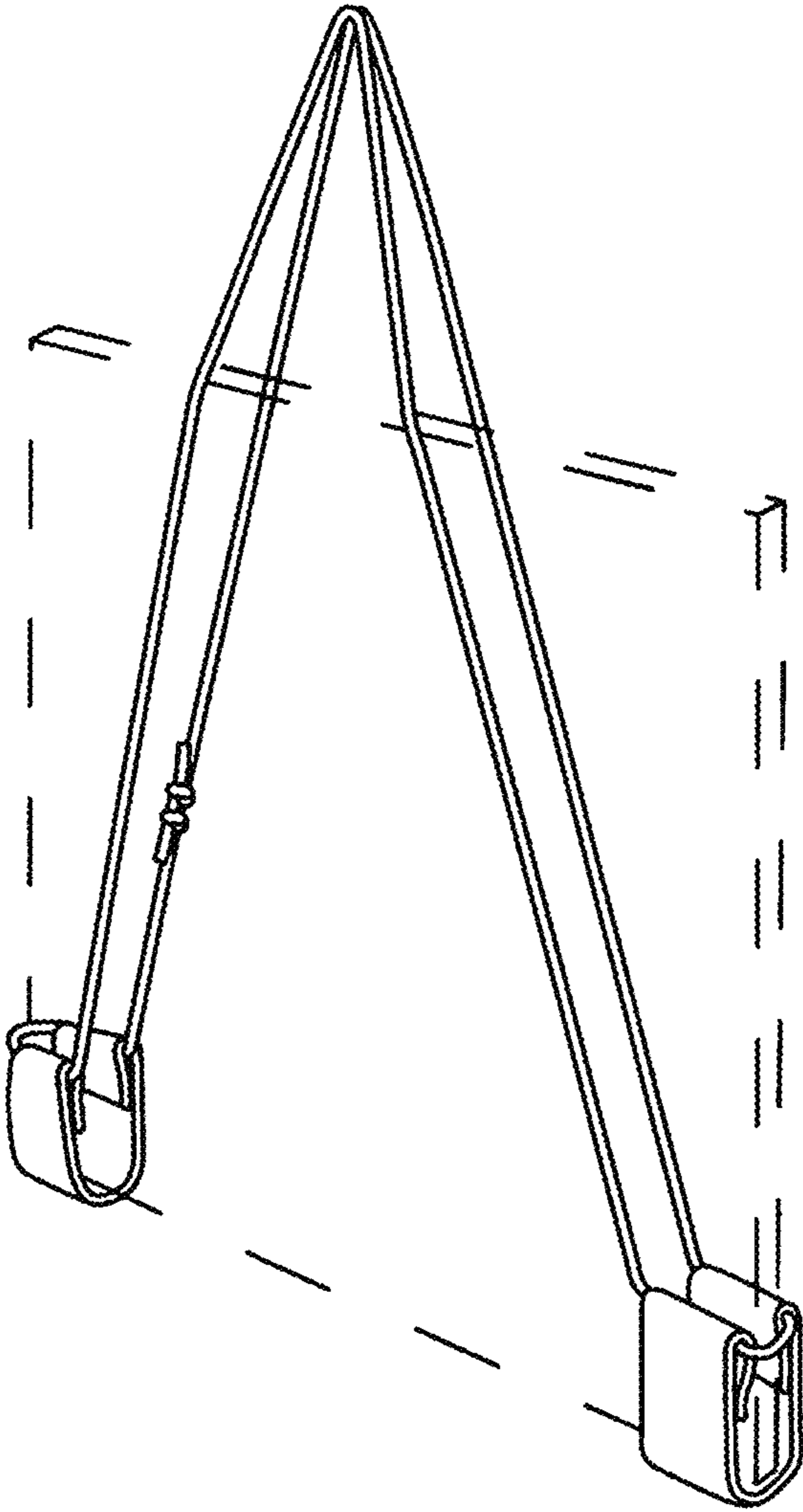


Fig. 2

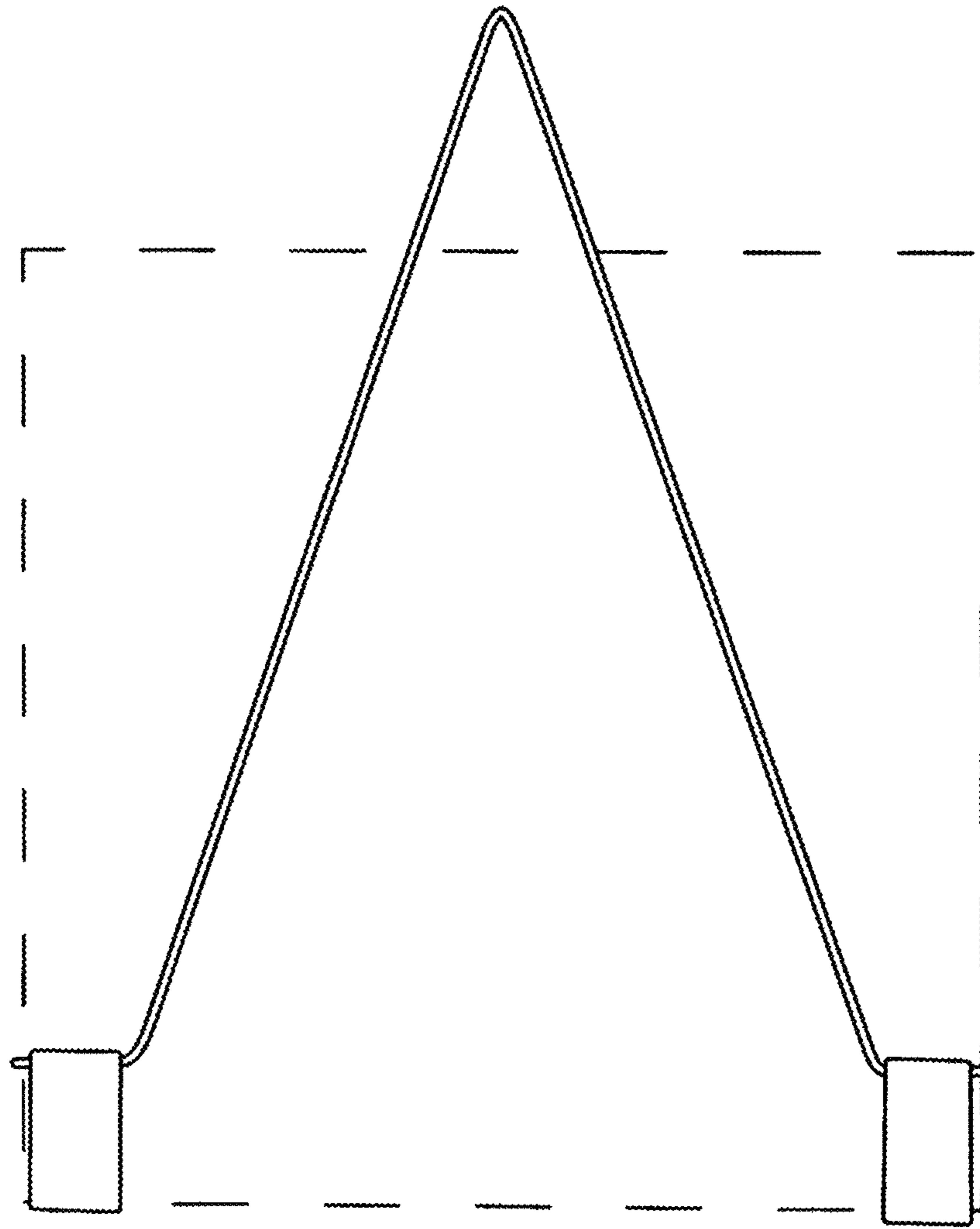


Fig. 3

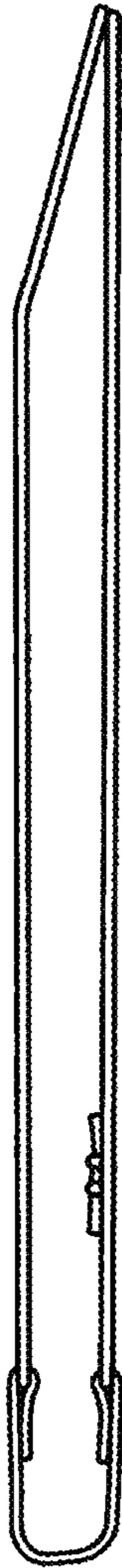


Fig. 4