



US00D928595S

(12) **United States Design Patent**
Smith

(10) **Patent No.:** **US D928,595 S**
(45) **Date of Patent:** **** Aug. 24, 2021**

(54) **GAS SPRING MOUNTING BRACKET**

(71) Applicant: **Firestone Industrial Products Company, LLC**, Nashville, TN (US)

(72) Inventor: **Scott A. Smith**, Brownsburg, IN (US)

(73) Assignee: **Firestone Industrial Products Company, LLC**, Nashville, TN (US)

(**) Term: **15 Years**

(21) Appl. No.: **29/672,279**

(22) Filed: **Dec. 4, 2018**

(51) **LOC (13) Cl.** **08-05**

(52) **U.S. Cl.**
USPC **D8/366**

(58) **Field of Classification Search**
USPC D8/316, 358, 359, 363, 366, 370, 371,
D8/372, 373, 382, 374, 375, 376, 377;
D7/600.4

(Continued)

(56) **References Cited**

U.S. PATENT DOCUMENTS

D326,604 S * 6/1992 Stubbersfield D8/373
D329,372 S * 9/1992 Wilms D8/363

(Continued)

Primary Examiner — Sheryl Lane

Assistant Examiner — Calvin E Vansant

(74) *Attorney, Agent, or Firm* — Thomas R. Kingsbury;
Matthew P. Dugan

(57) **CLAIM**

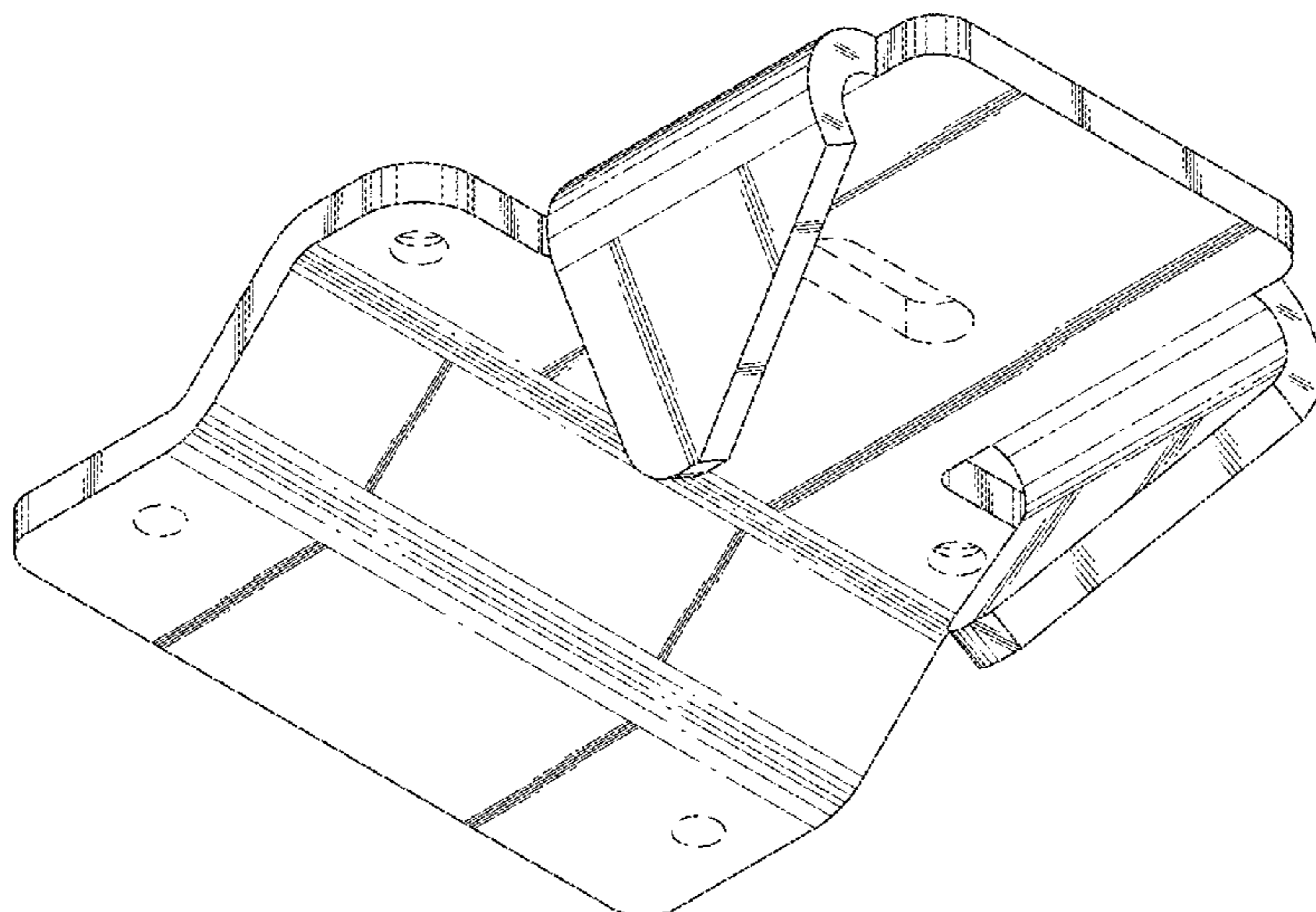
The ornamental design for gas spring mounting bracket, as shown and described.

DESCRIPTION

FIG. 1 is a top perspective view of a gas spring mounting bracket illustrating a first embodiment of my new design;

FIG. 2 is a bottom perspective view thereof;
FIG. 3 is a front elevation view thereof;
FIG. 4 is a rear elevation view thereof;
FIG. 5 is a left side elevation view thereof;
FIG. 6 is a right side elevation view thereof;
FIG. 7 is a top plan view thereof;
FIG. 8 is a bottom plan view thereof;
FIG. 9 is the bottom perspective view of the gas spring mounting bracket shown together with an associated gas spring;
FIG. 10 is a top perspective view of a gas spring mounting bracket illustrating a second embodiment of my new design;
FIG. 11 is a bottom perspective view thereof;
FIG. 12 is a front elevation view thereof;
FIG. 13 is a rear elevation view thereof;
FIG. 14 is a left side elevation view thereof;
FIG. 15 is a right side elevation view thereof;
FIG. 16 is a top plan view thereof;
FIG. 17 is a bottom plan view thereof;
FIG. 18 is the bottom perspective view of the gas spring mounting bracket shown together with an associated gas spring;
FIG. 19 is a top perspective view of a gas spring mounting bracket illustrating a third embodiment of my new design;
FIG. 20 is a bottom perspective view thereof;
FIG. 21 is a front elevation view thereof;
FIG. 22 is a rear elevation view thereof;
FIG. 23 is a left side elevation view thereof;
FIG. 24 is a right side elevation view thereof;
FIG. 25 is a top plan view thereof;
FIG. 26 is a bottom plan view thereof; and,
FIG. 27 is the bottom perspective view of the gas spring mounting bracket shown together with an associated gas spring.
Dashed lines in FIGS. 1, 2, 7-11, 16-20 and 25-27 illustrate unclaimed apertures of the gas spring mounting bracket and form no part of the claimed design. Phantom lines in FIGS. 9, 18 and 27 illustrate environmental use of the invention and form no part of the claimed design.

1 Claim, 27 Drawing Sheets



(58) **Field of Classification Search**

CPC A47G 7/047; A47G 7/045; A47G 7/042;
A47G 7/044; A01G 9/024; A01G 25/14;
A01G 27/001; A01G 9/042; A01G
27/005; A01G 31/001; A01G 9/02; A01G
9/083; A01G 9/12; B60G 2400/05146;
B62B 1/10; B62B 1/264; B62B 1/14;
B25G 1/08; B25G 1/10; B65H 75/40;
B65H 75/4407; B65H 75/4471; B65H
2701/34; B65H 2701/32; B65H 2511/142;
B65H 29/008; B65H 75/22; B65D 85/66;
B65D 85/67; E06B 11/00; E06B 11/021;
E06B 11/022; E06B 11/023; E04F
11/1804; E04F 11/1808; E04F 11/1812;
G12B 3/00; G12B 3/06; F02D 9/04;
F02D 9/101; F02D 9/10; A47F 7/14;
A47F 7/16; A47F 7/143; A47F 5/08;
A47F 5/0807; A47F 5/0815; A47F

5/0838; A47F 5/0846; A47F 5/0853;
A47F 5/105

See application file for complete search history.

(56)

References Cited

U.S. PATENT DOCUMENTS

D406,050 S * 2/1999 DeSouza D8/363
D436,311 S * 1/2001 Edvardsson D8/382
D470,395 S * 2/2003 Valiulis D8/354
D529,792 S * 10/2006 Klein D8/373
D607,312 S * 1/2010 Silverman D8/373
D650,483 S * 12/2011 Roggenkamp D24/184
8,308,324 B2 * 11/2012 Van Horn F21S 2/005
362/427
D733,531 S * 7/2015 Tonthat D8/354
D793,784 S * 8/2017 Louthan, Jr. D6/702
D799,693 S * 10/2017 Mueller D24/128
D829,537 S * 10/2018 Smith D8/366

* cited by examiner

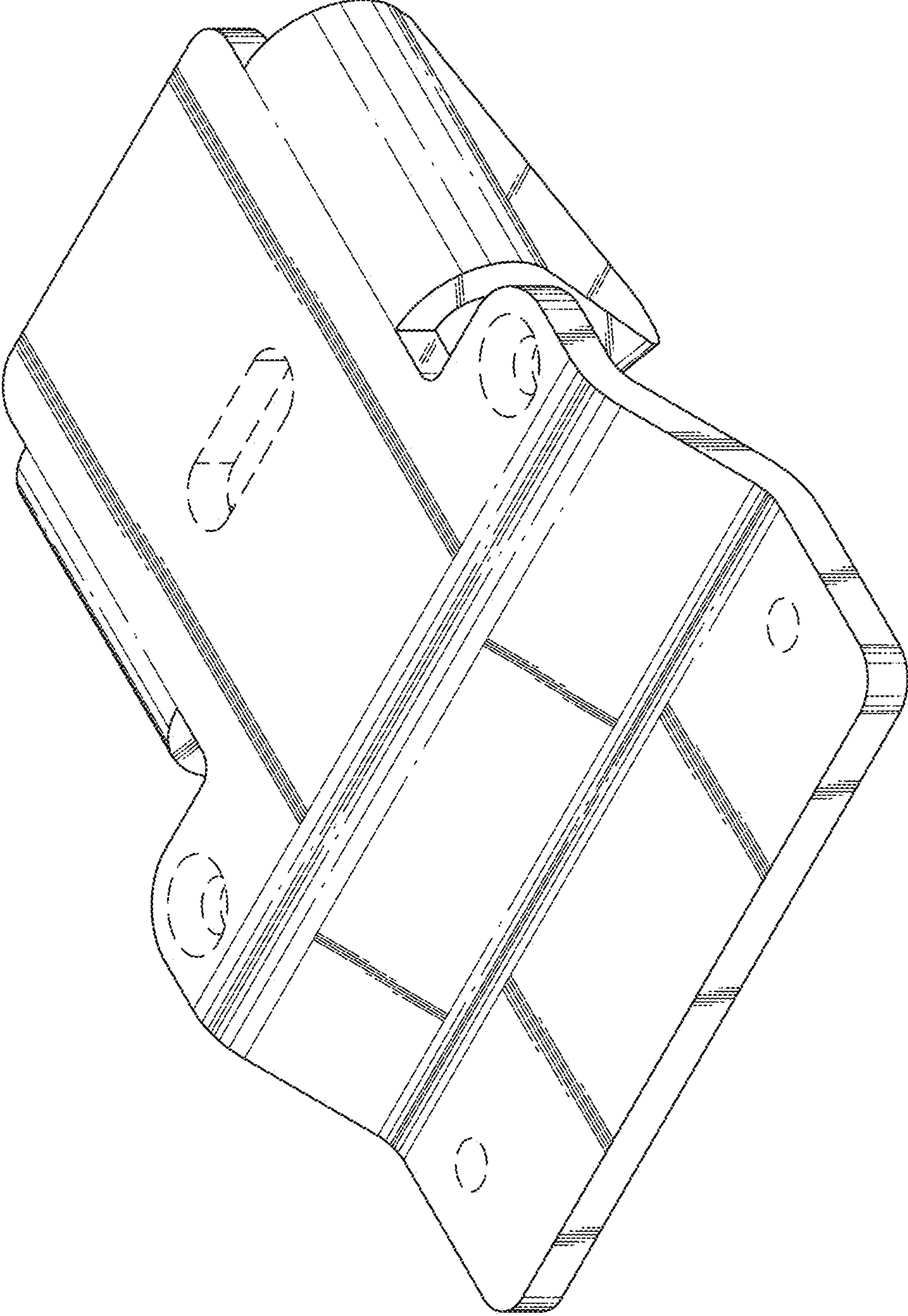


FIG. 1

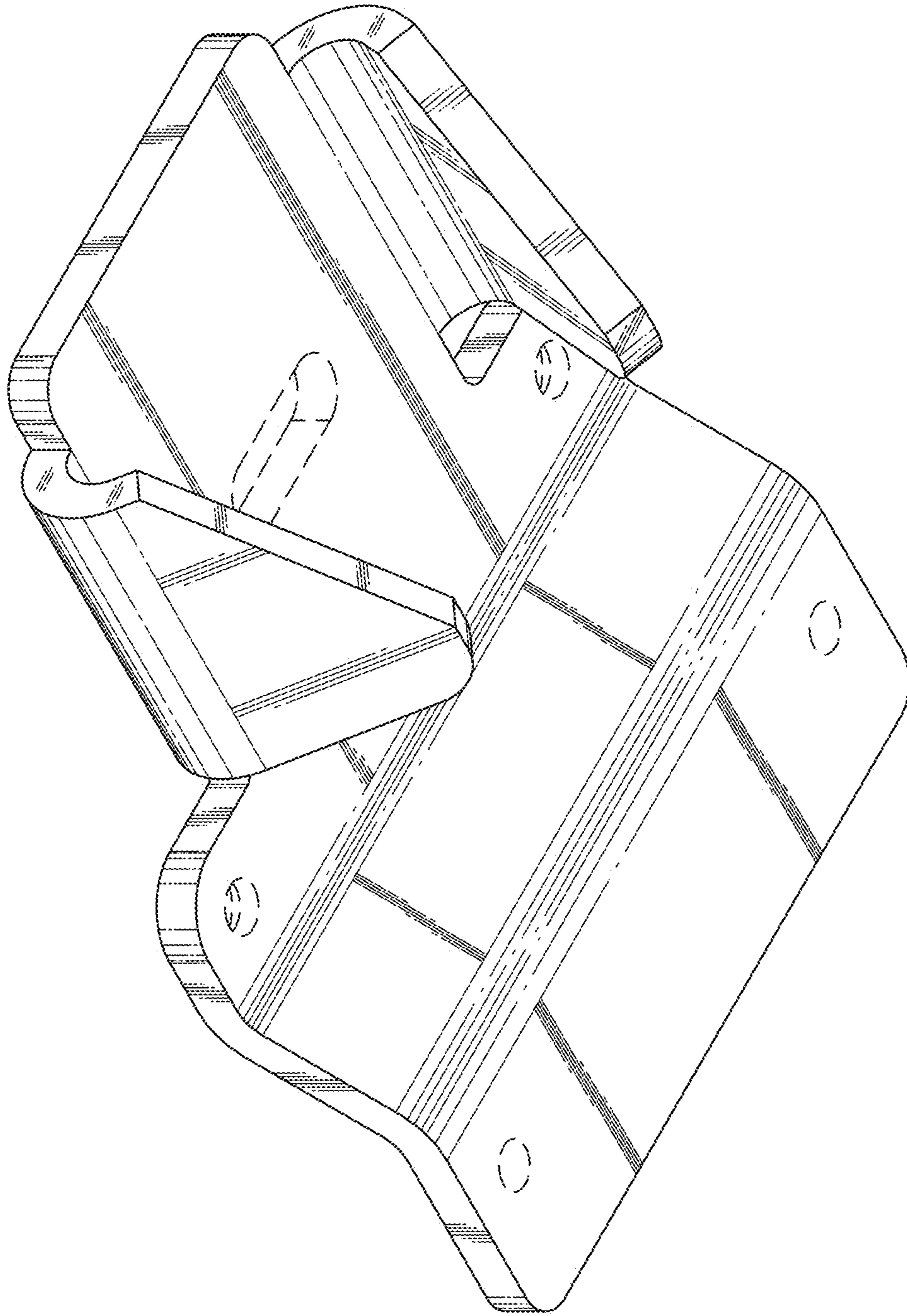


FIG. 2

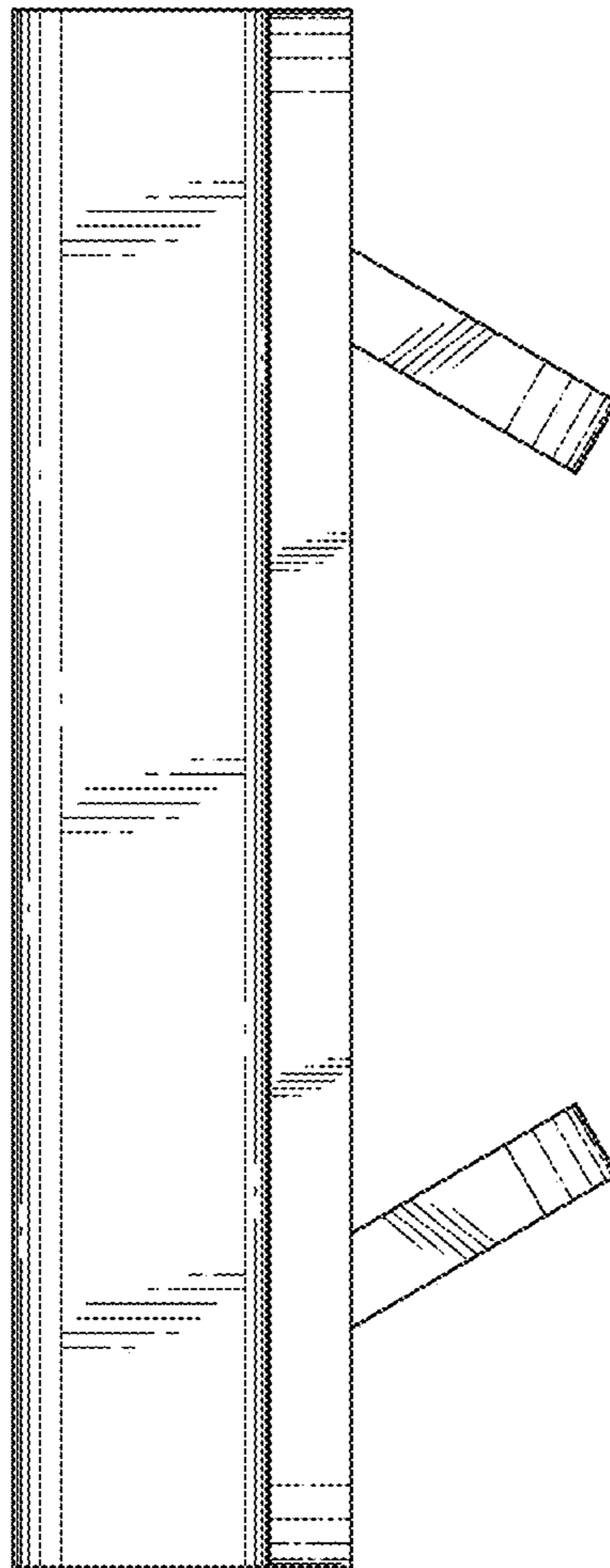


FIG. 3

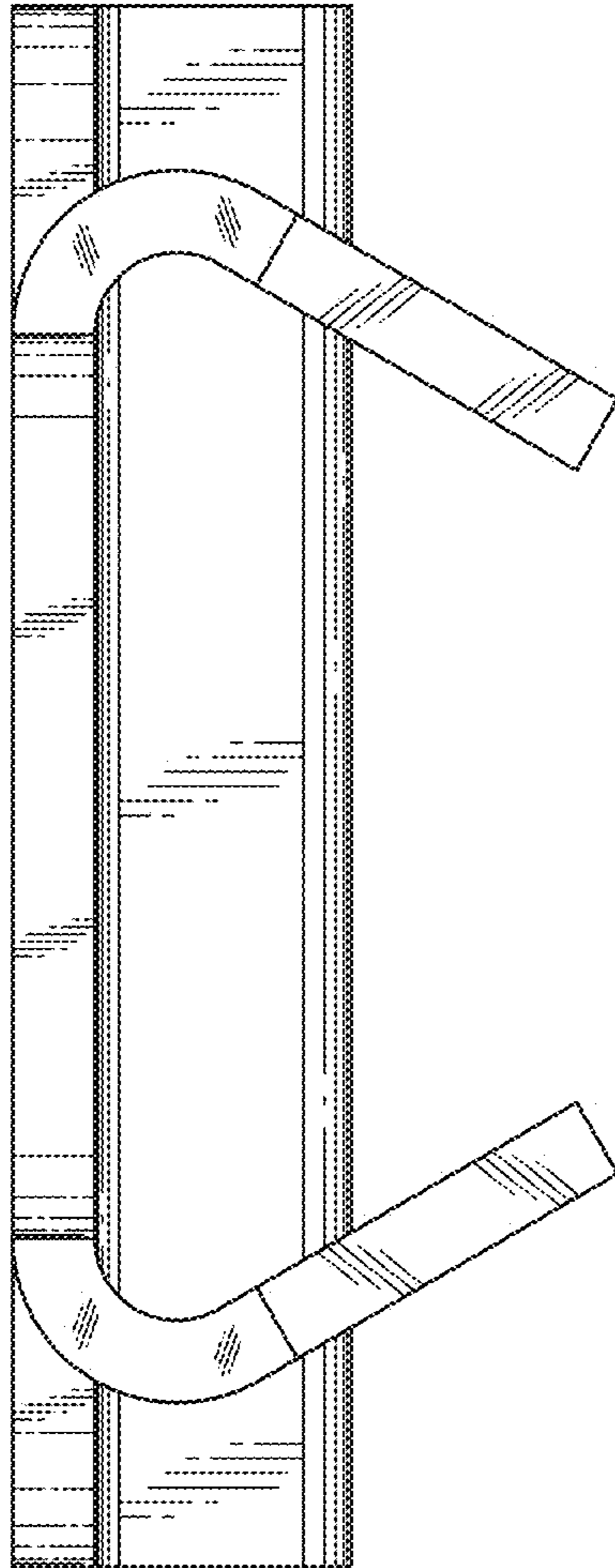


FIG. 4

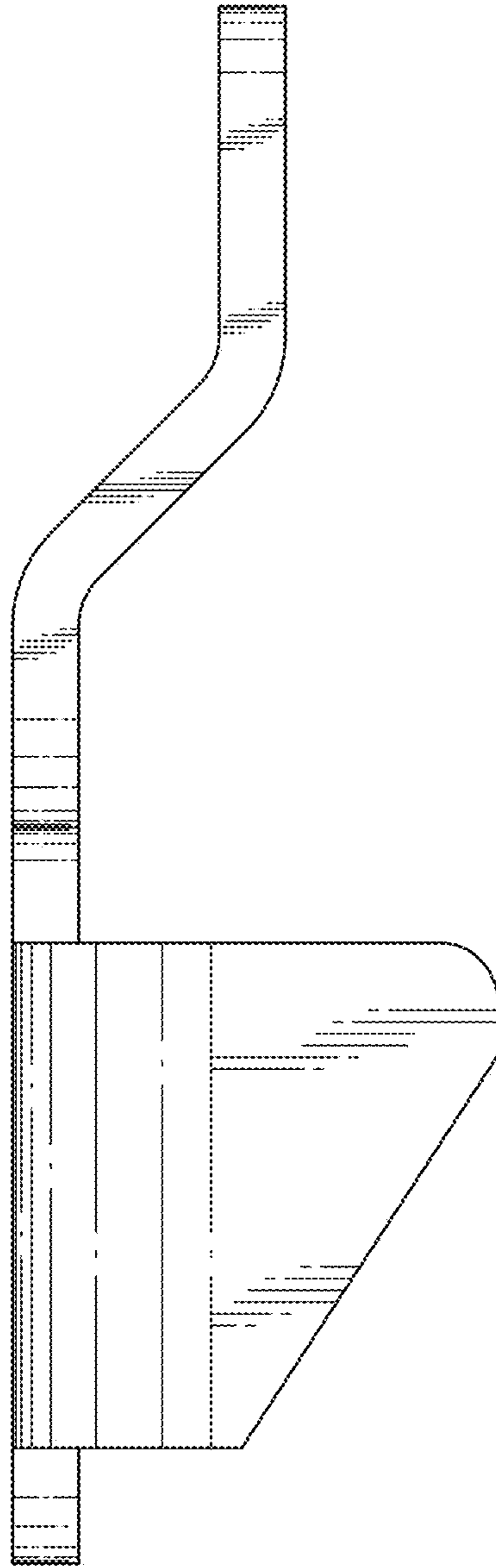


FIG. 5

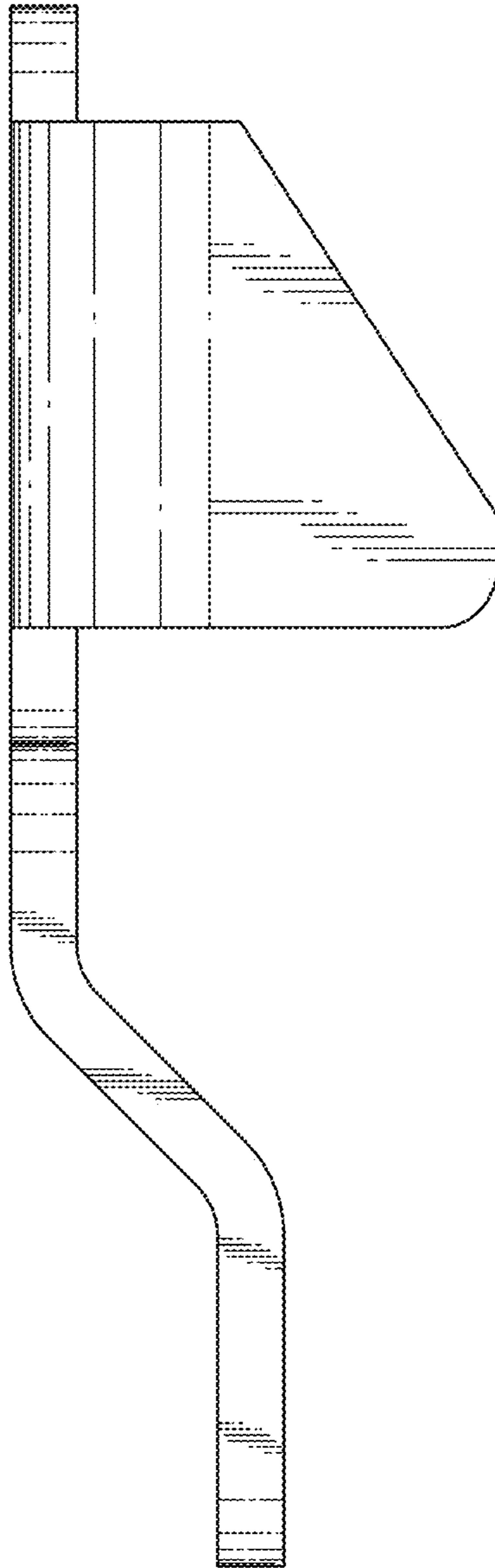


FIG. 6

FIG. 7

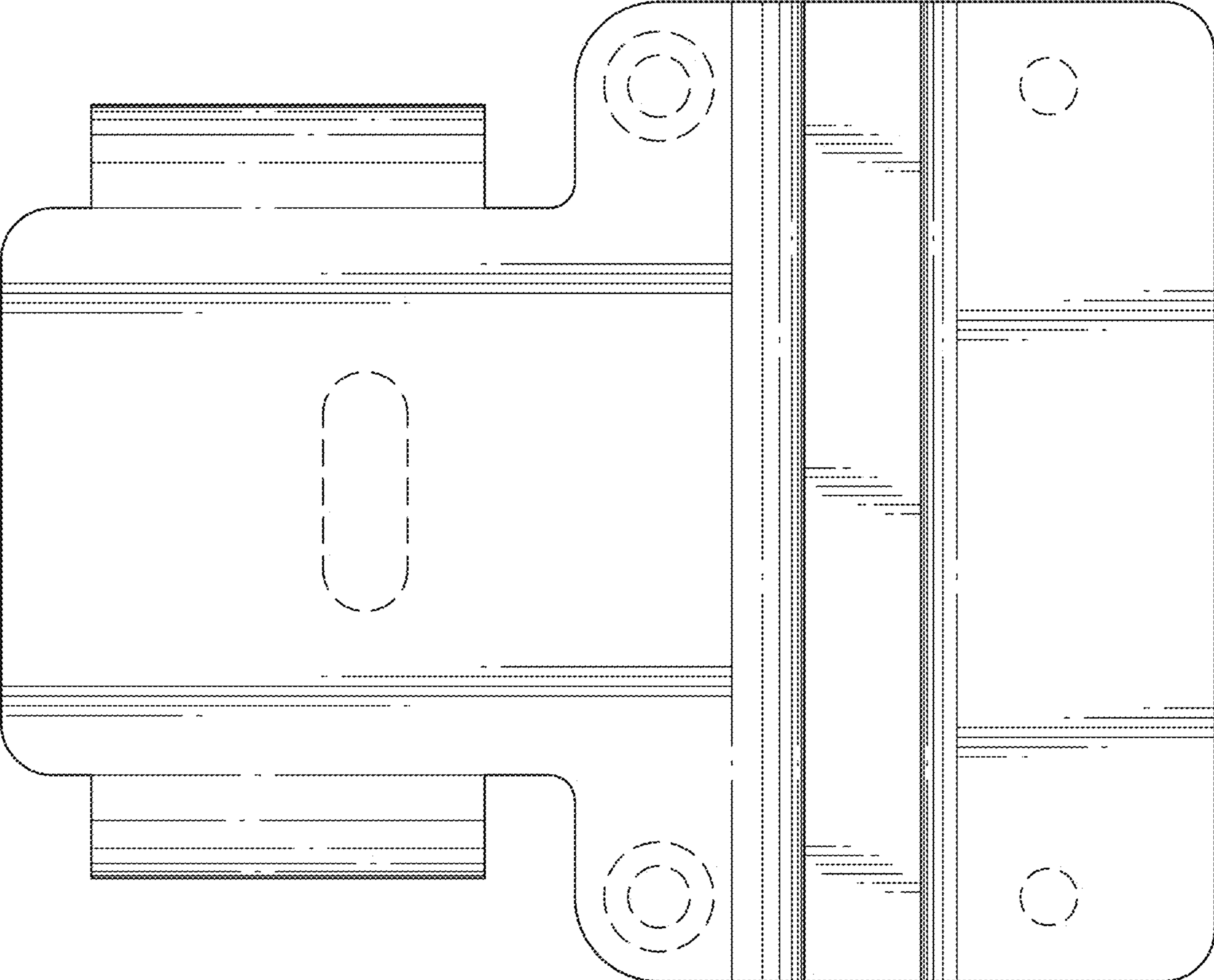
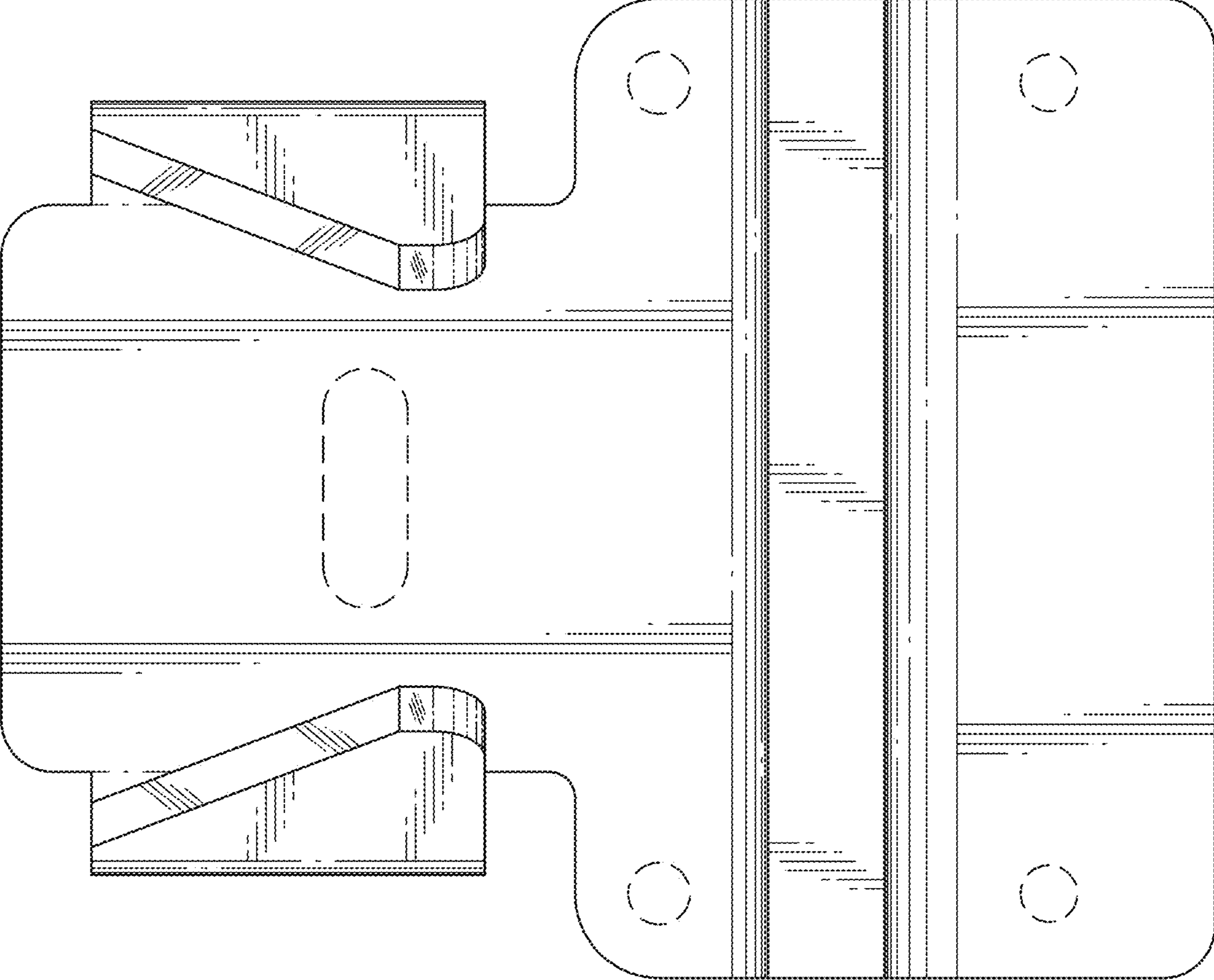


FIG. 8



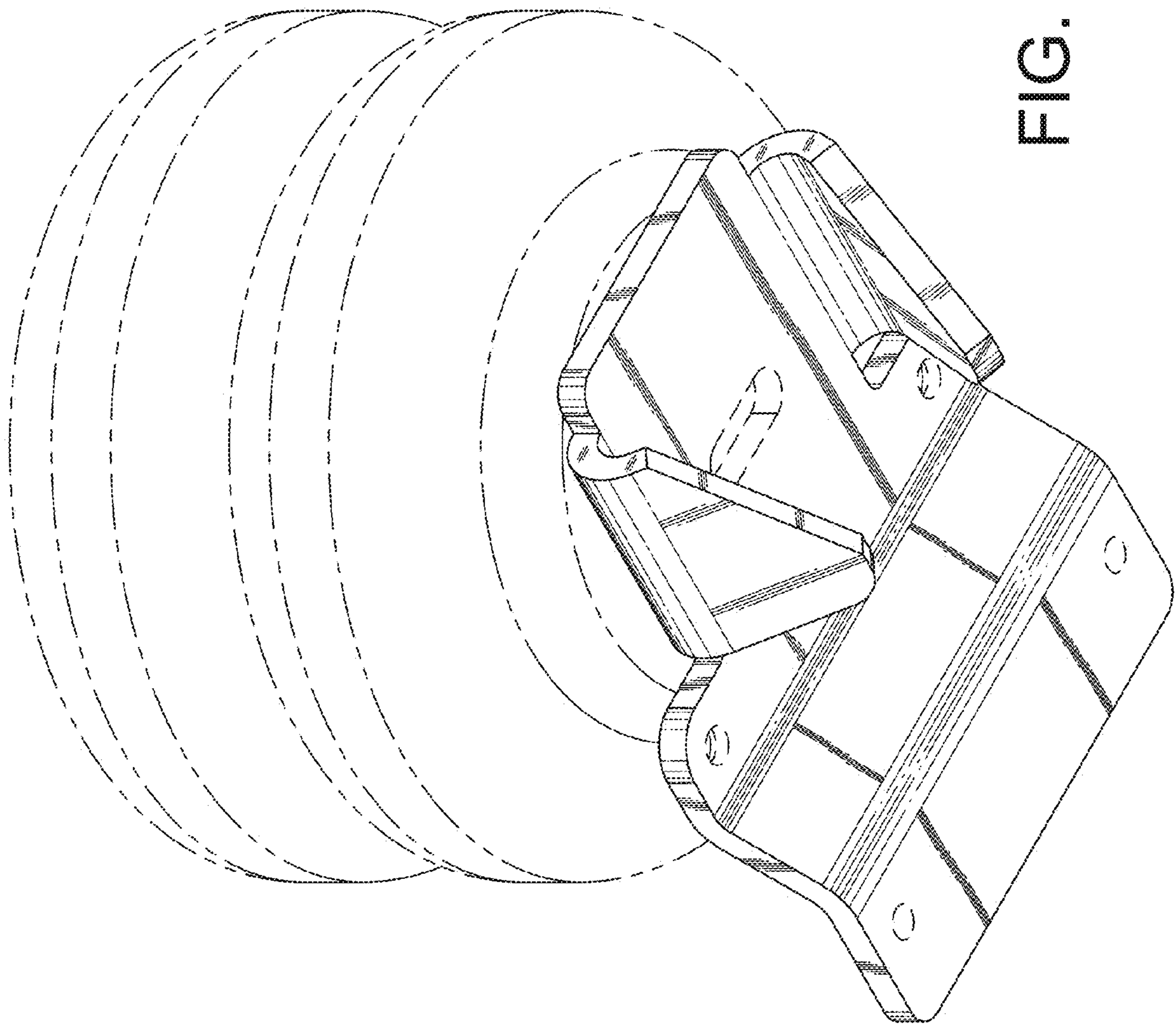


FIG. 9

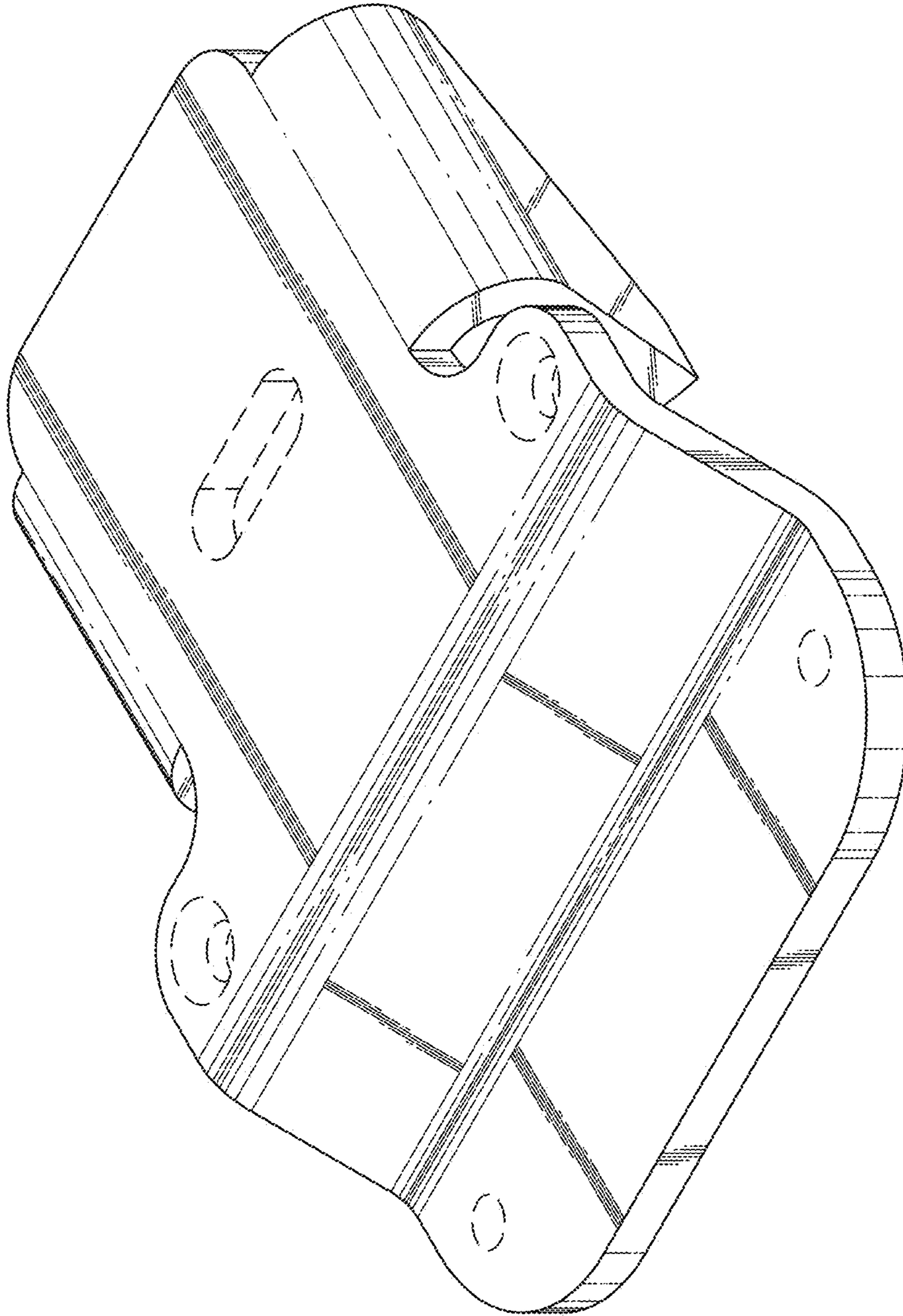


FIG. 10

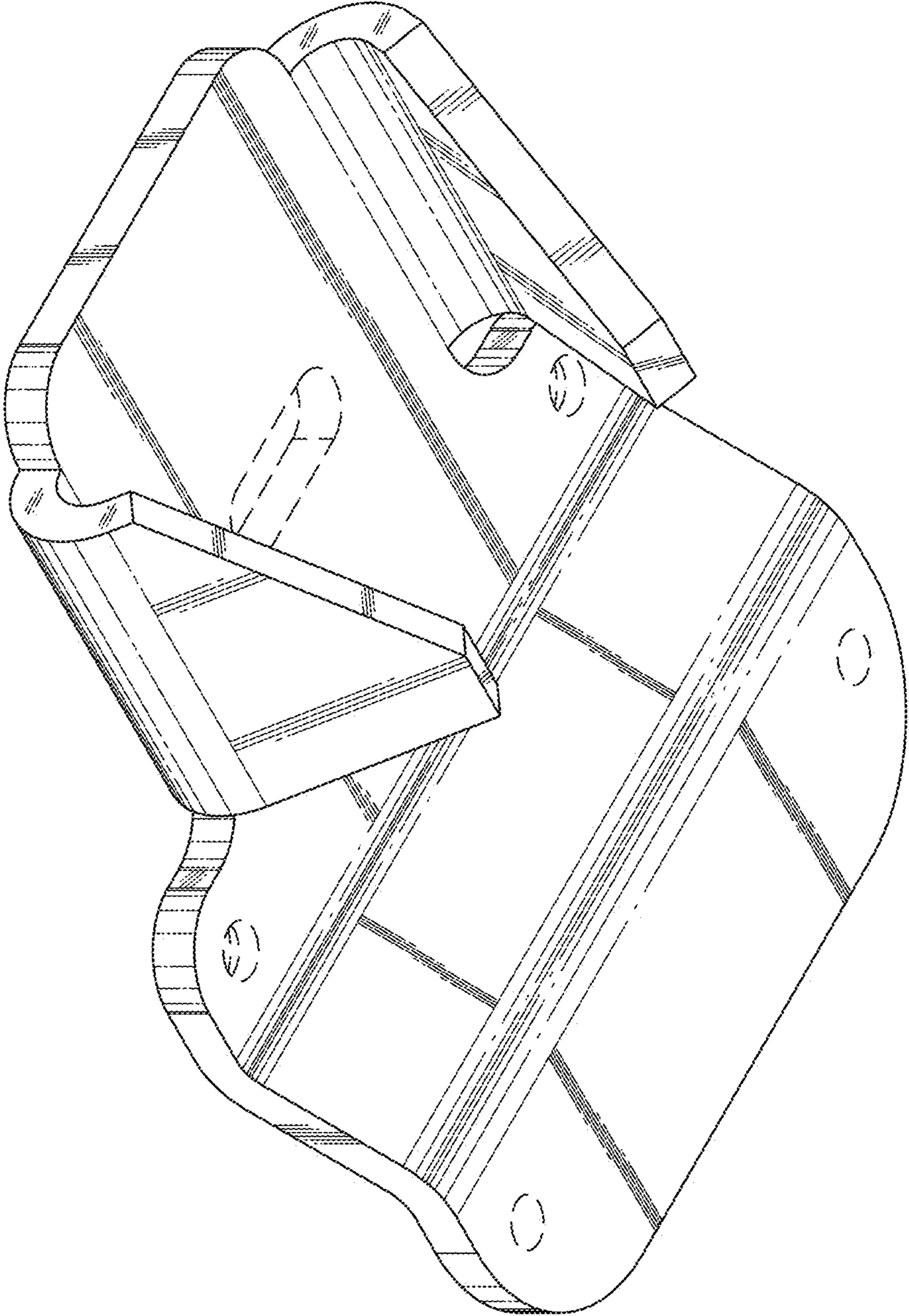


FIG. 11

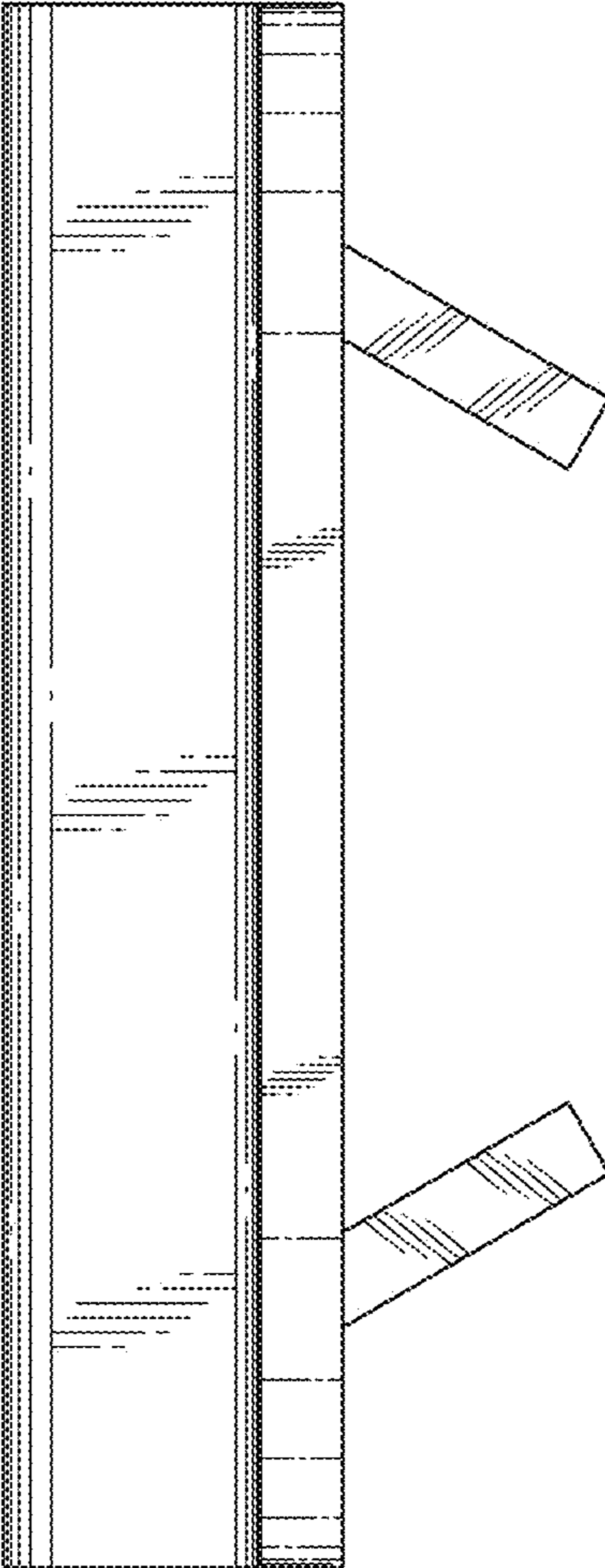


FIG. 12

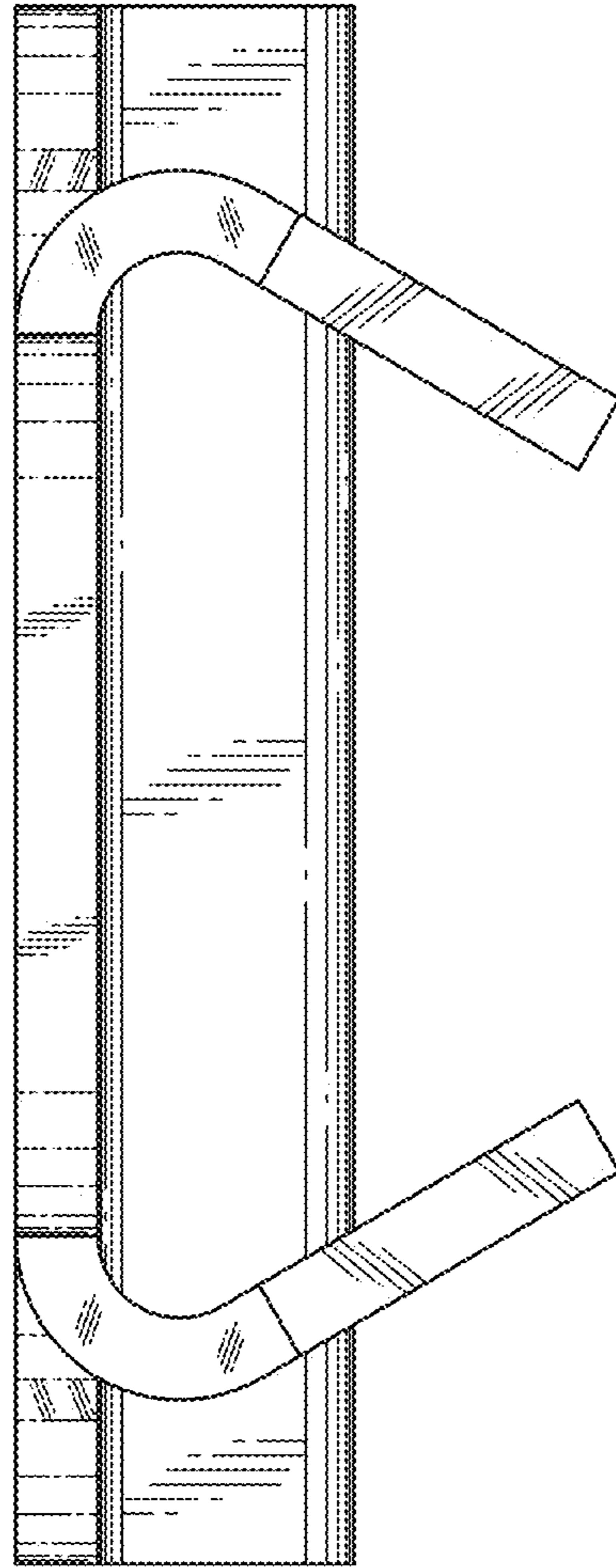


FIG. 13

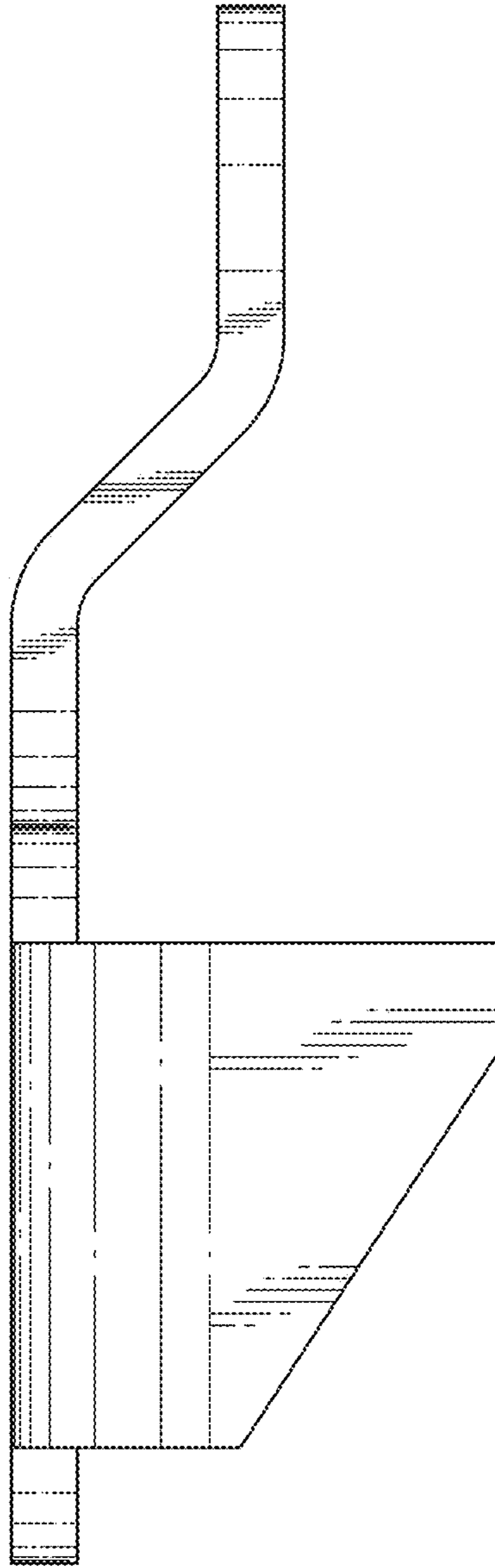


FIG. 14

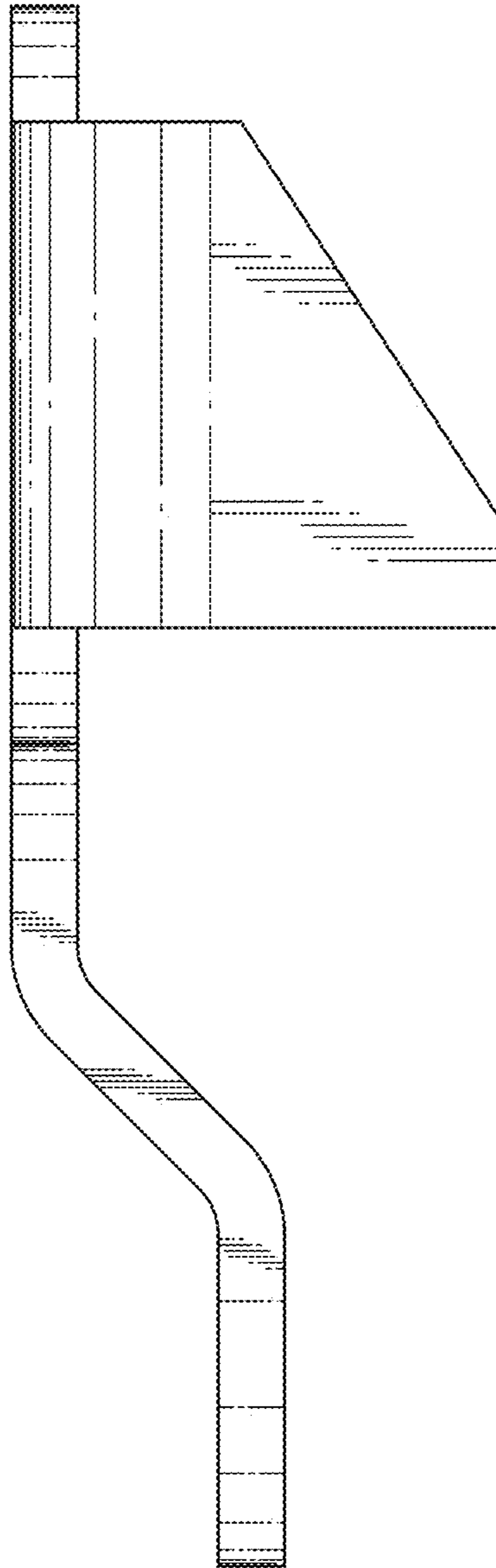


FIG. 15

FIG. 16

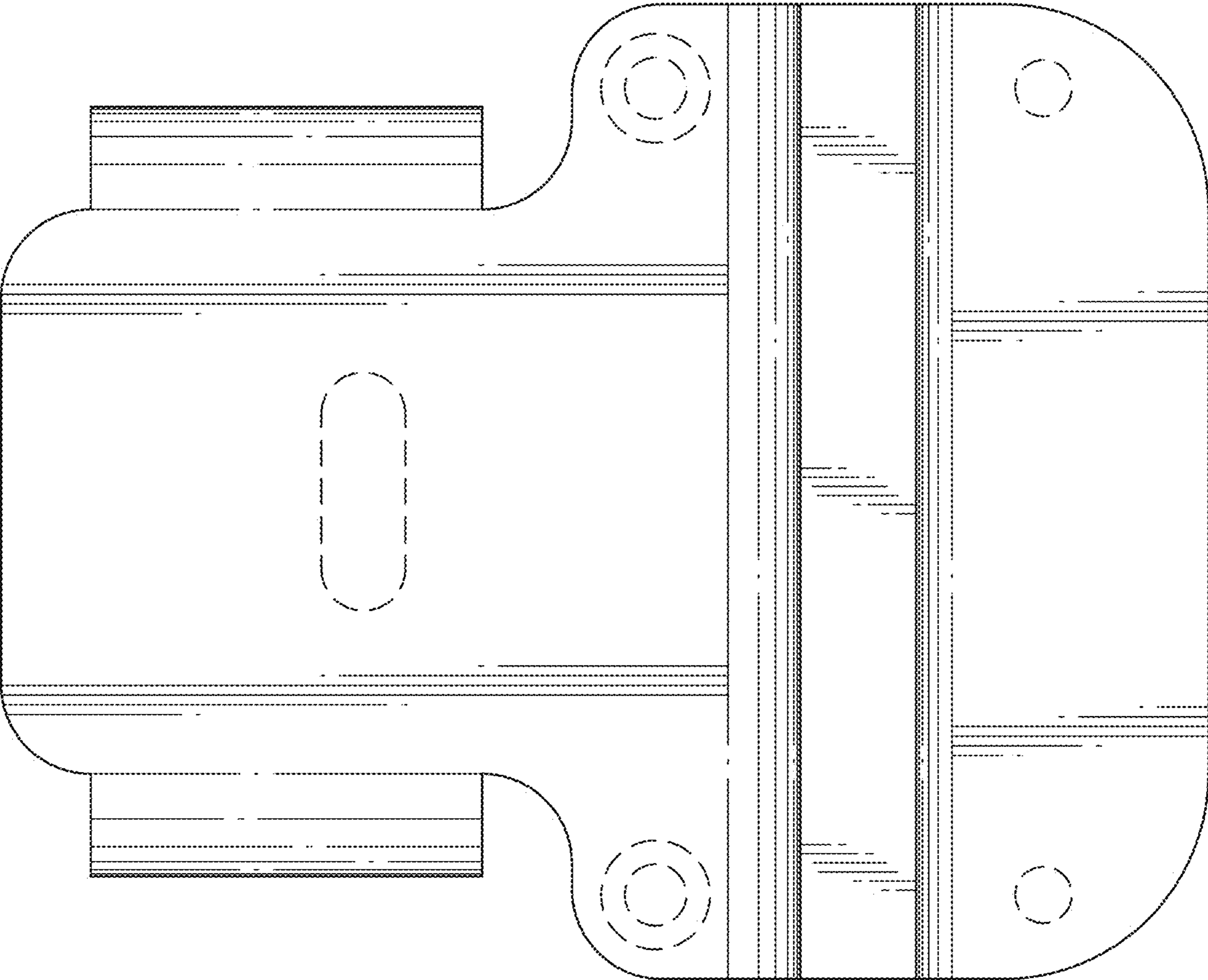
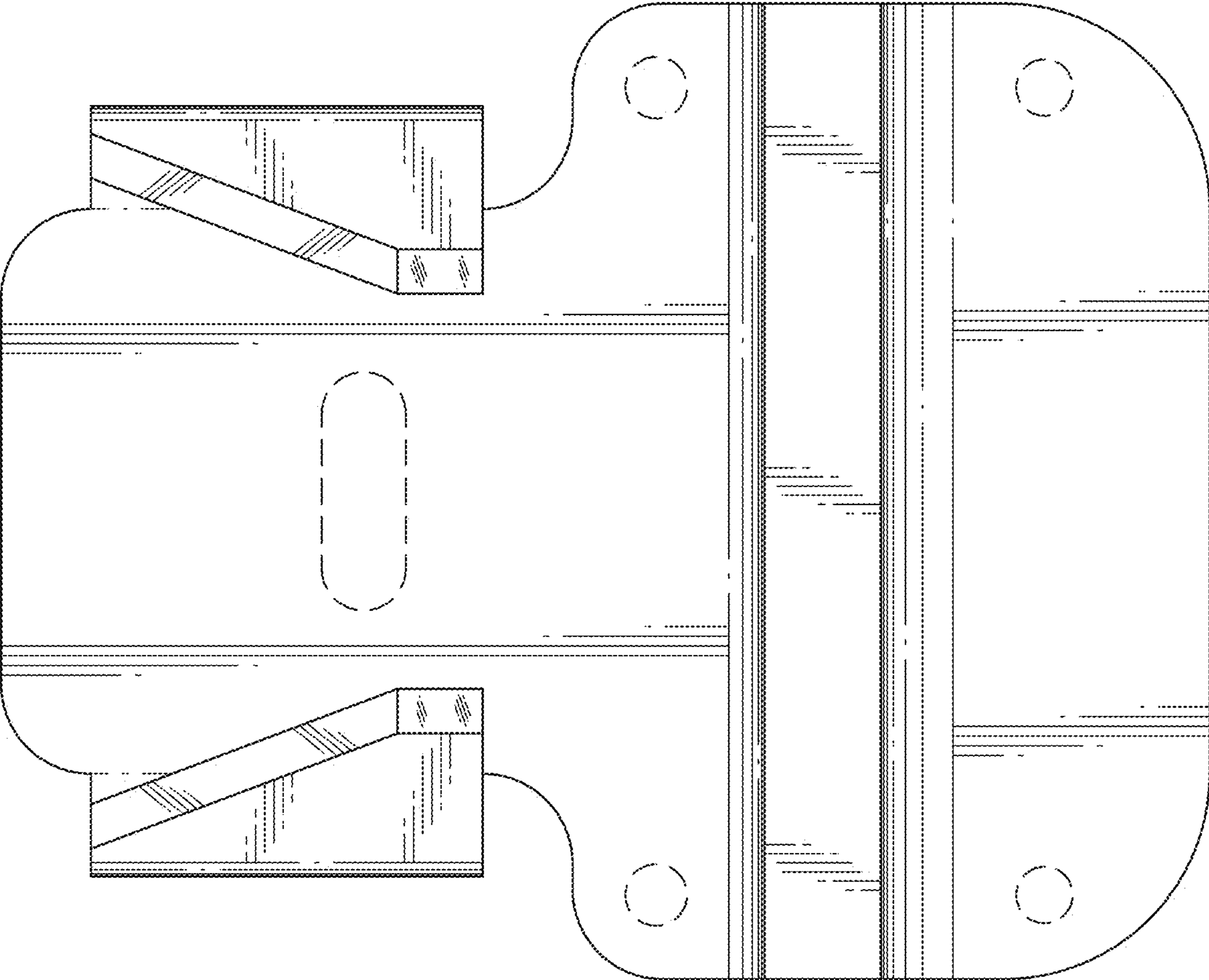


FIG. 17



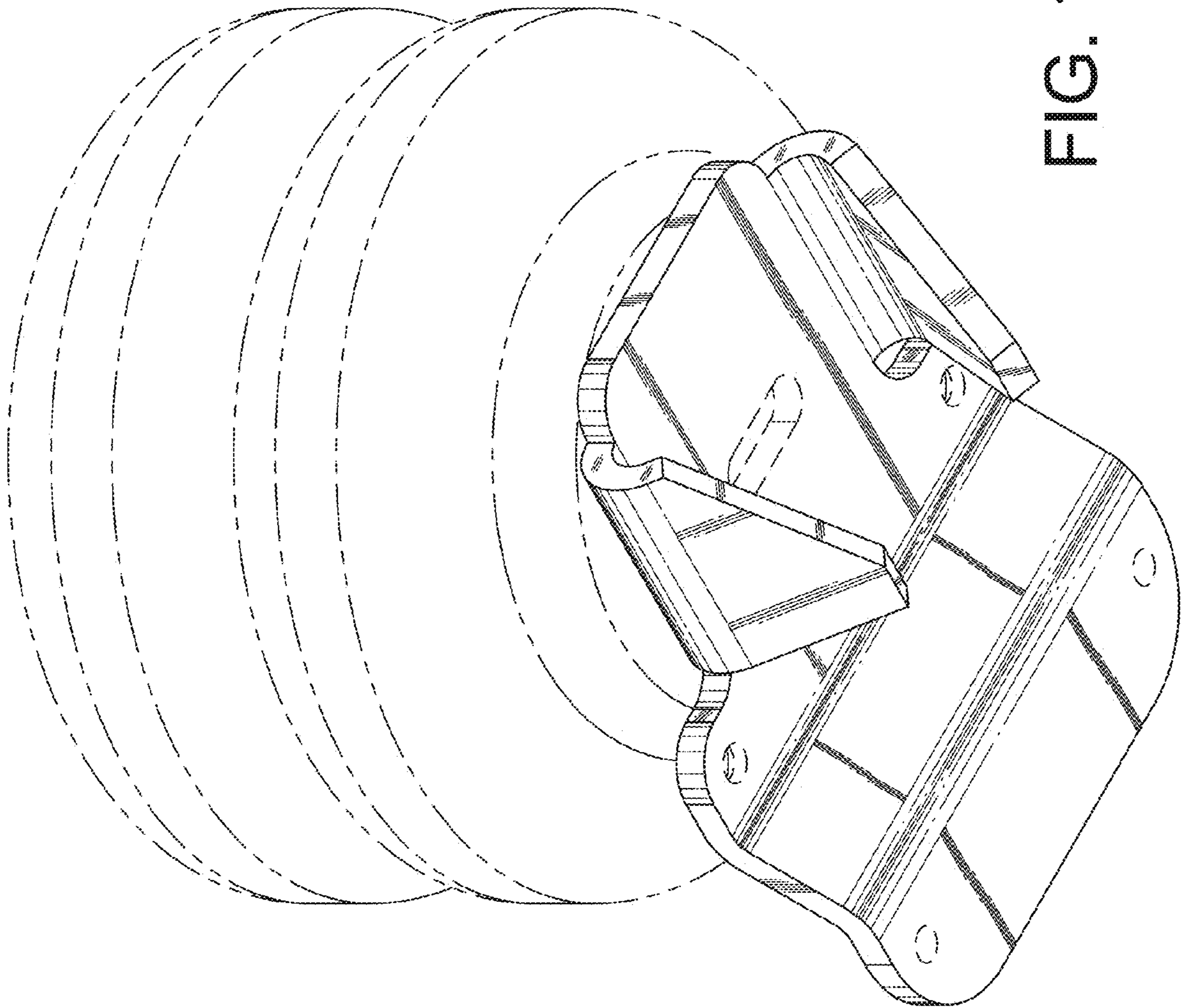


FIG. 18

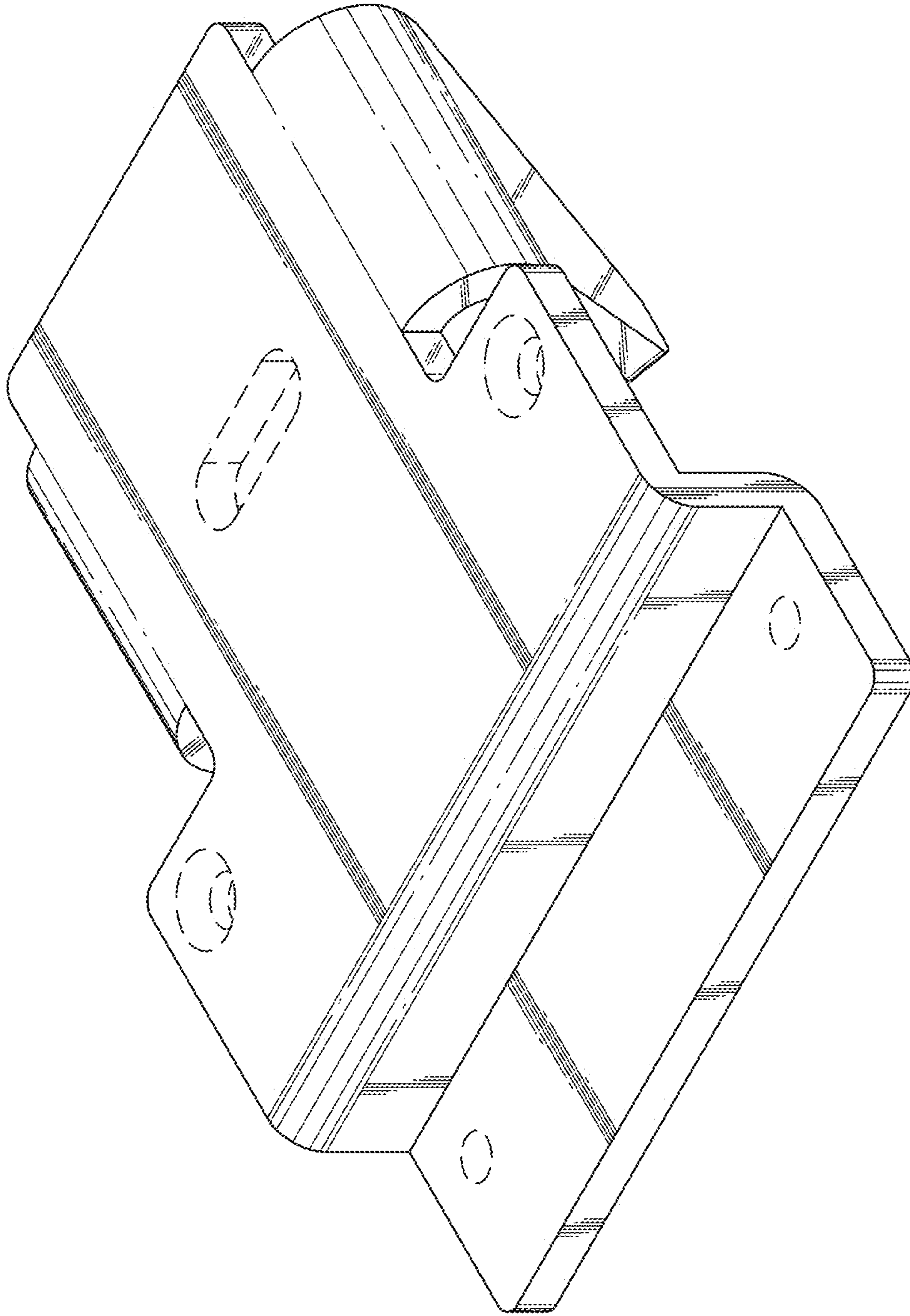


FIG. 19

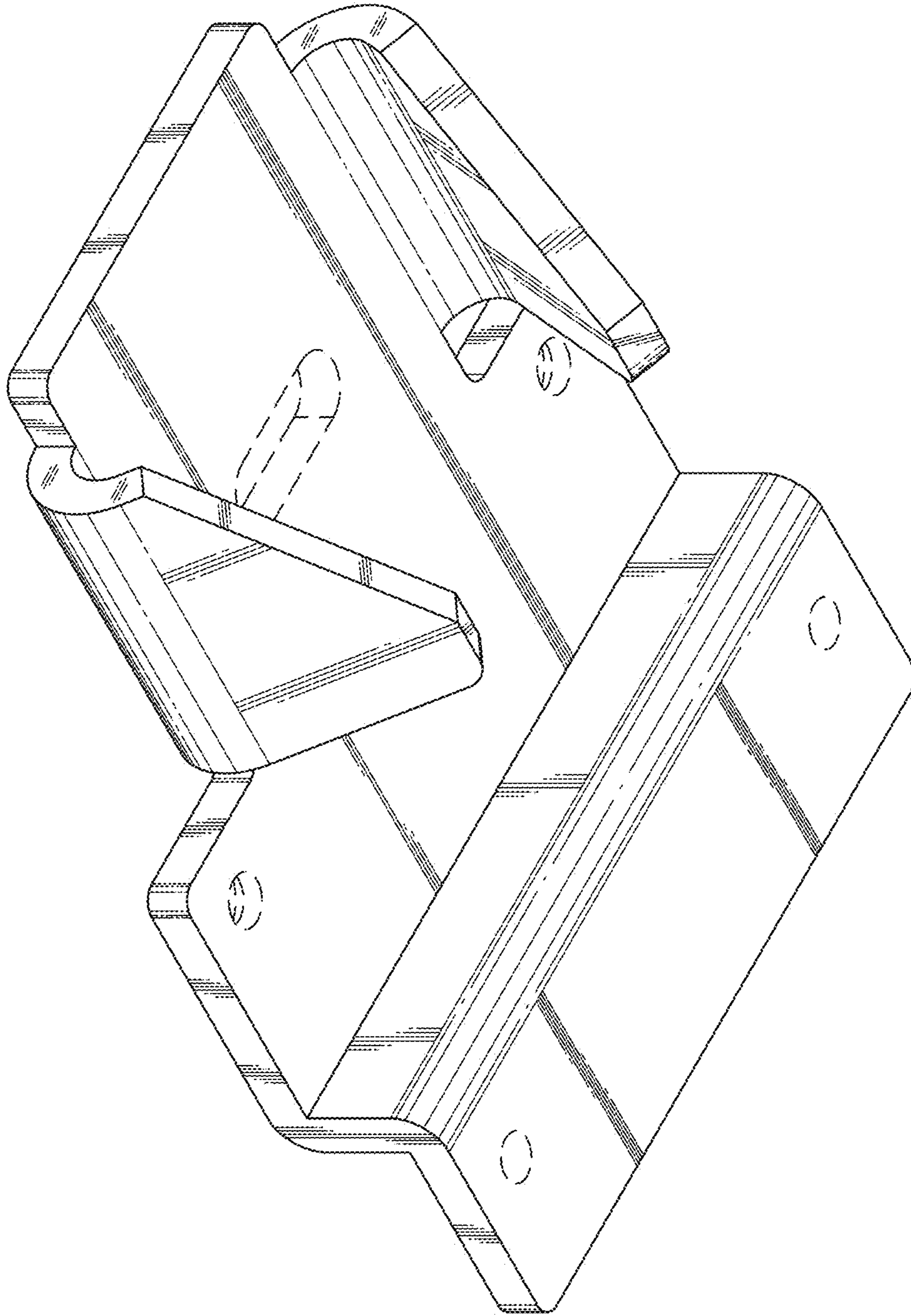


FIG. 20

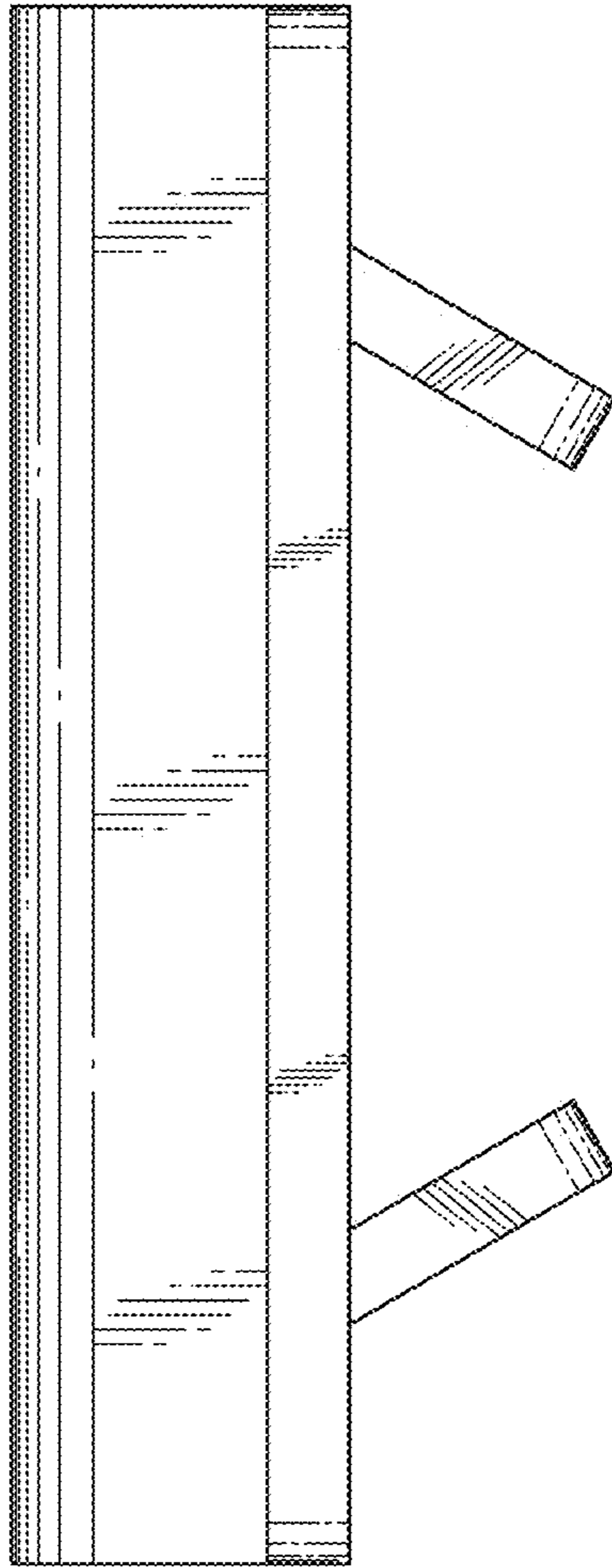


FIG. 21

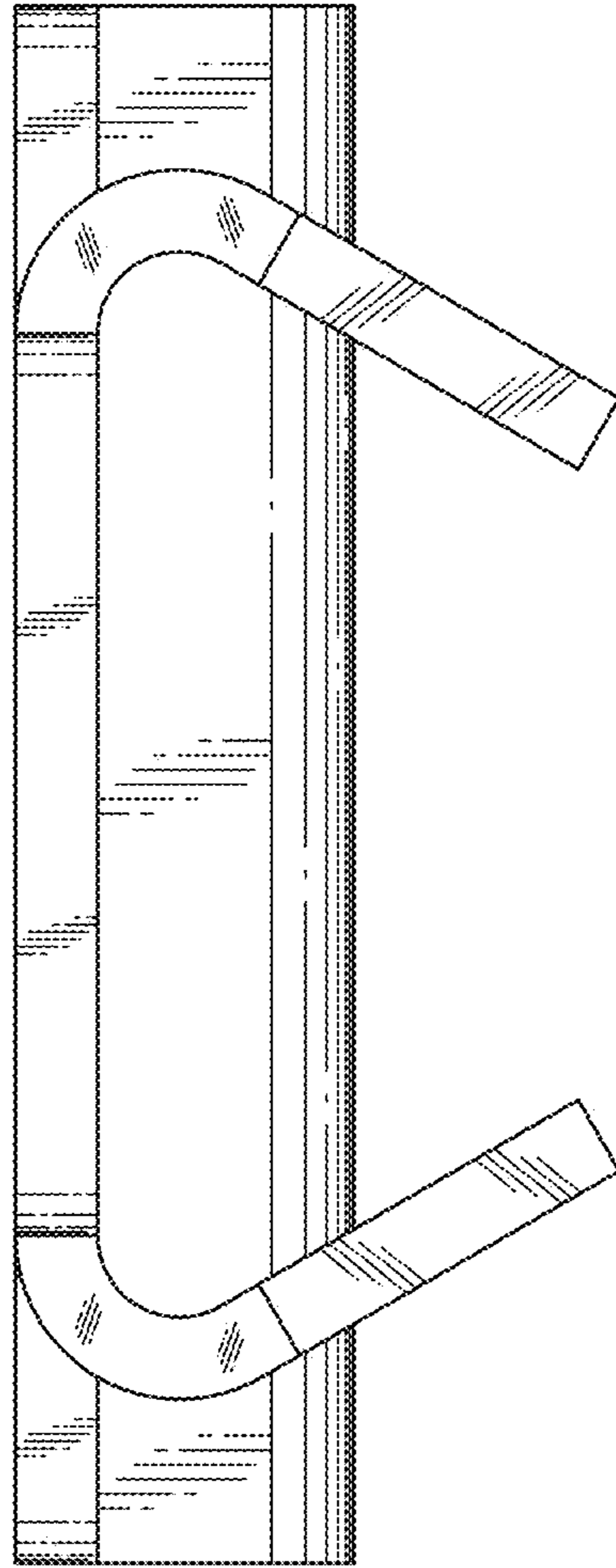


FIG. 22

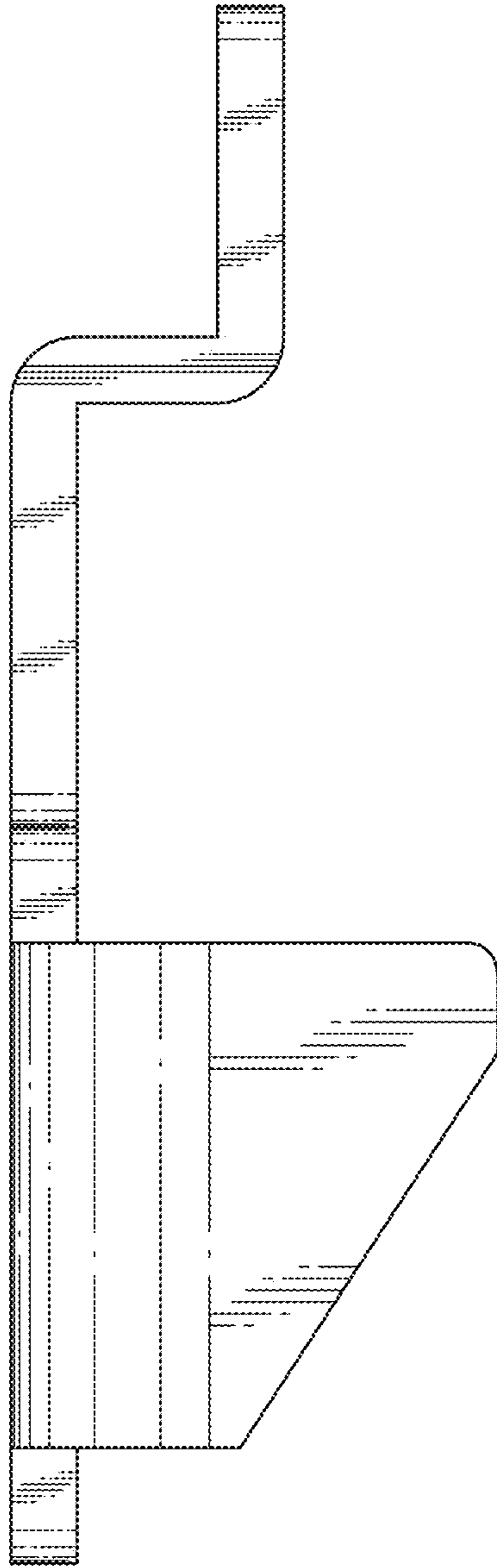


FIG. 23

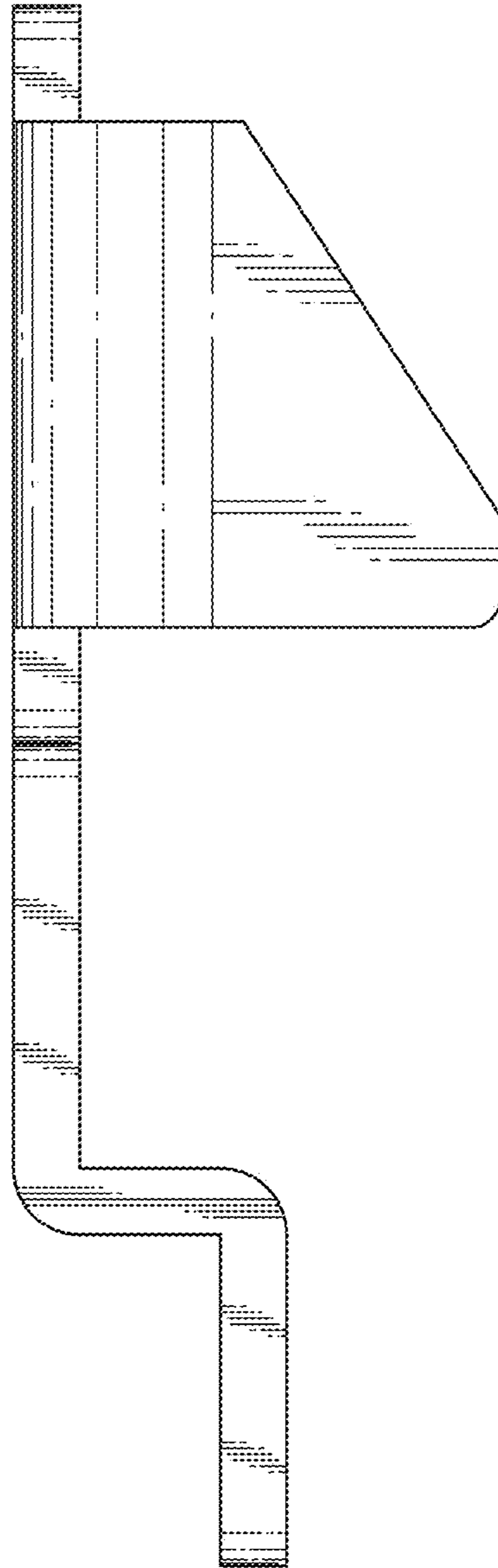


FIG. 24

FIG. 25

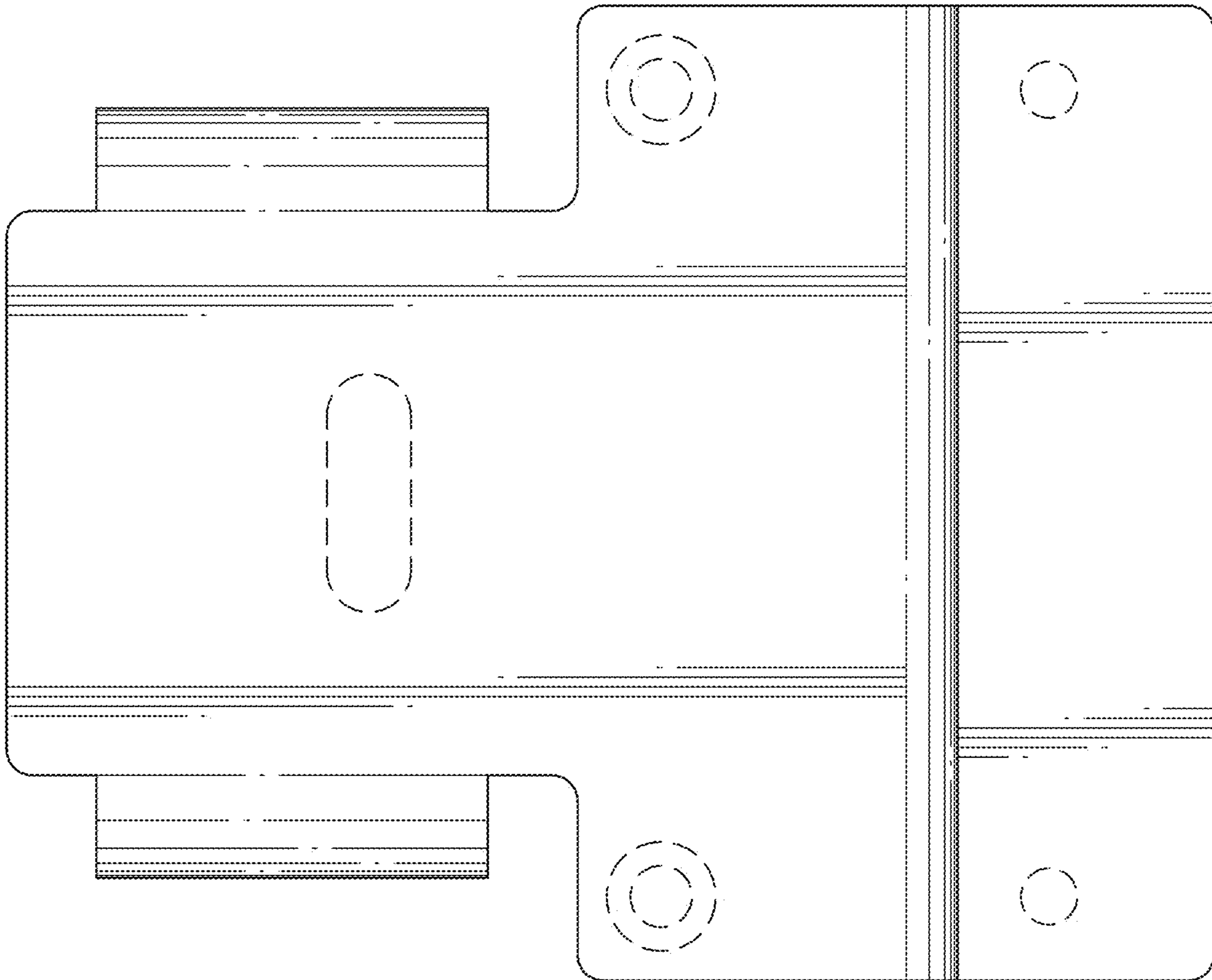
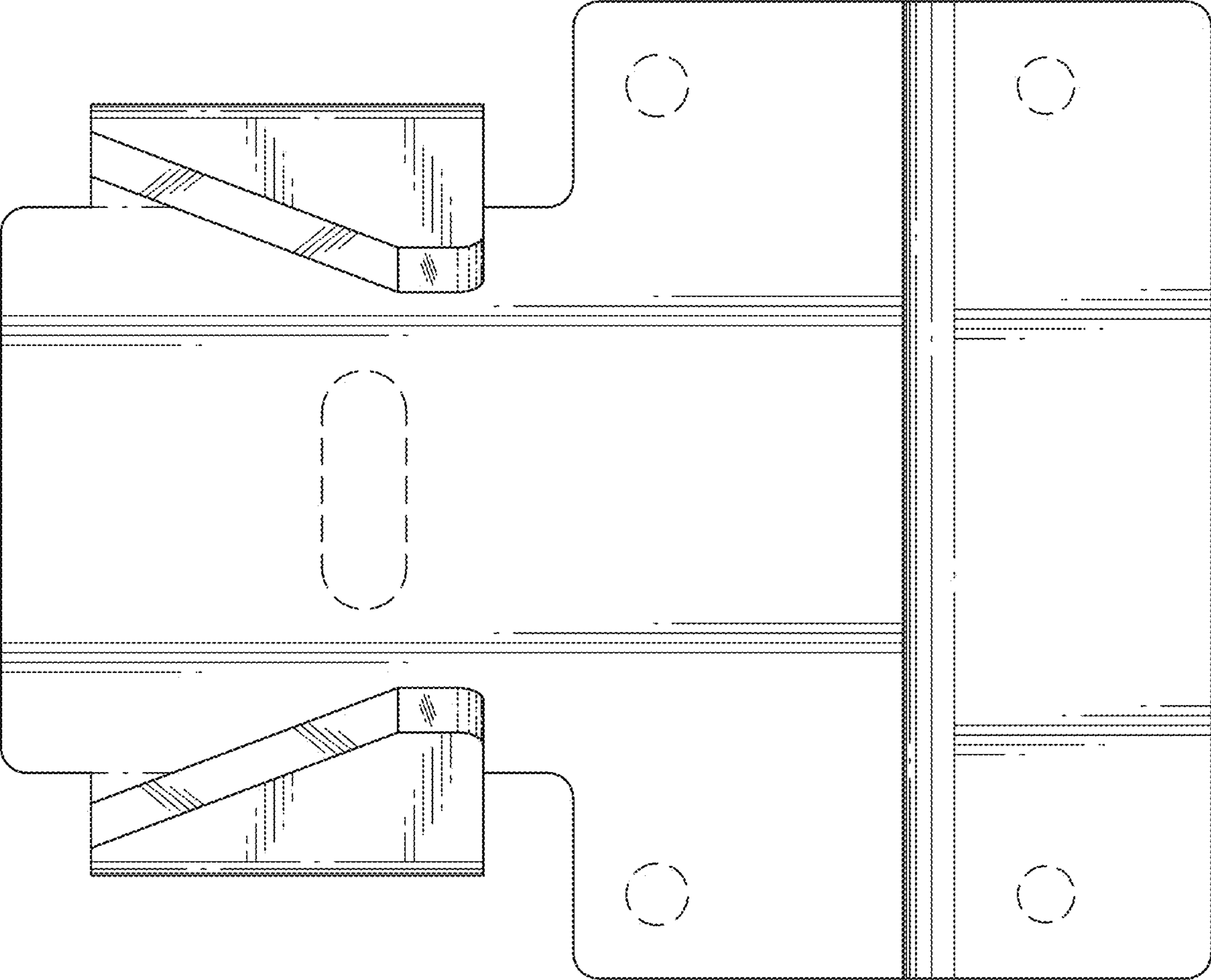


FIG. 26



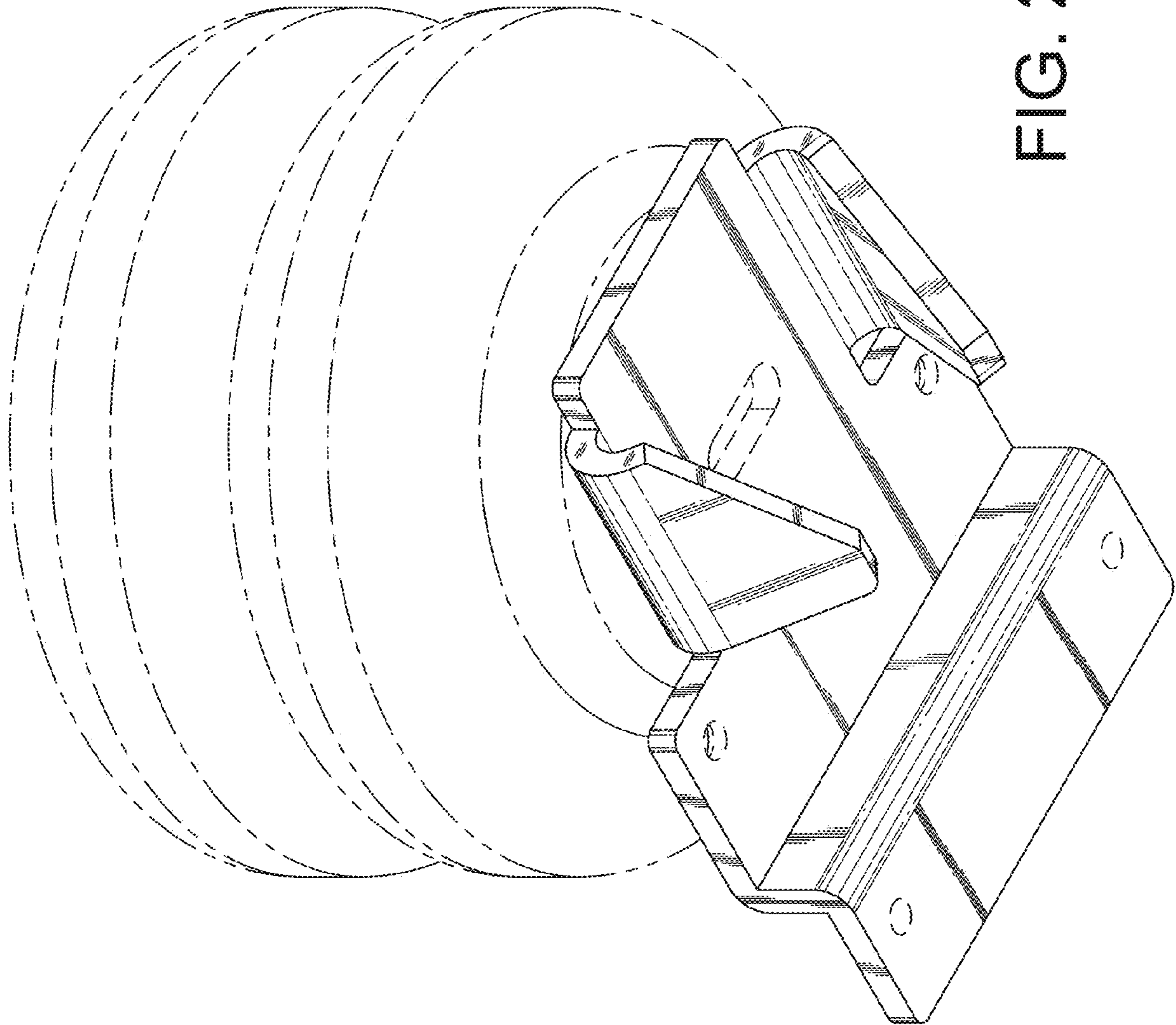


FIG. 27