



US00D928593S

(12) **United States Design Patent** (10) **Patent No.:** **US D928,593 S**
Altamura (45) **Date of Patent:** **** Aug. 24, 2021**

(54) **WIRE MANAGER**
(71) Applicant: **Seasonal Specialties, LLC**, Eden Prairie, MN (US)
(72) Inventor: **Steven J. Altamura**, Scarsdale, NY (US)
(73) Assignee: **Seasonal Specialties, LLC**, Eden Prairie, MN (US)

D249,020 S 8/1978 Raniero
4,138,055 A 2/1979 Harrison
D252,610 S * 8/1979 Miavitz D8/367
D253,079 S * 10/1979 Hill D6/552
D257,950 S * 1/1981 Van Meter, Jr. D13/154
D272,887 S * 3/1984 Parton D8/382
D275,175 S * 8/1984 Rolli, Jr. D13/154
D276,305 S 11/1984 Hough
(Continued)

(**) Term: **15 Years**
(21) Appl. No.: **29/680,826**
(22) Filed: **Feb. 20, 2019**

Related U.S. Application Data

(62) Division of application No. 29/594,082, filed on Feb. 15, 2017, now Pat. No. Des. 847,611.
(51) **LOC (13) Cl.** **09-06**
(52) **U.S. Cl.**
USPC **D8/356**
(58) **Field of Classification Search**
USPC D8/349, 354, 356, 367, 382, 383, 394,
D8/395, 396, 499
CPC B65D 63/00; B65D 63/02; B65D 63/10;
B65D 63/1018; B65D 63/14; B65D
63/16; B65D 63/1063
See application file for complete search history.

(56) **References Cited**

U.S. PATENT DOCUMENTS

D32,192 S * 2/1900 Stegall D8/499
D33,411 S * 10/1900 Covert D8/367
935,151 A 9/1909 Harrell
1,495,912 A * 5/1924 Liefer B65D 63/14
24/18
D200,729 S 3/1965 George
D227,742 S * 7/1973 Logsdon D8/354
D243,062 S 1/1977 Malloy
D248,541 S * 7/1978 Oberg D8/372

OTHER PUBLICATIONS

Splash of something—DIY Painted Wooden Letters, image date Aug. 14, 2015 (online), site visited on Dec. 9, 2019, <http://splashofsomething.com/2015/08/14/diy-painted-wooden-letters/>.*

Primary Examiner — Sandra Snapp
Assistant Examiner — Ieisha N Price
(74) *Attorney, Agent, or Firm* — Hamre, Schumann, Mueller & Larson, P.C.

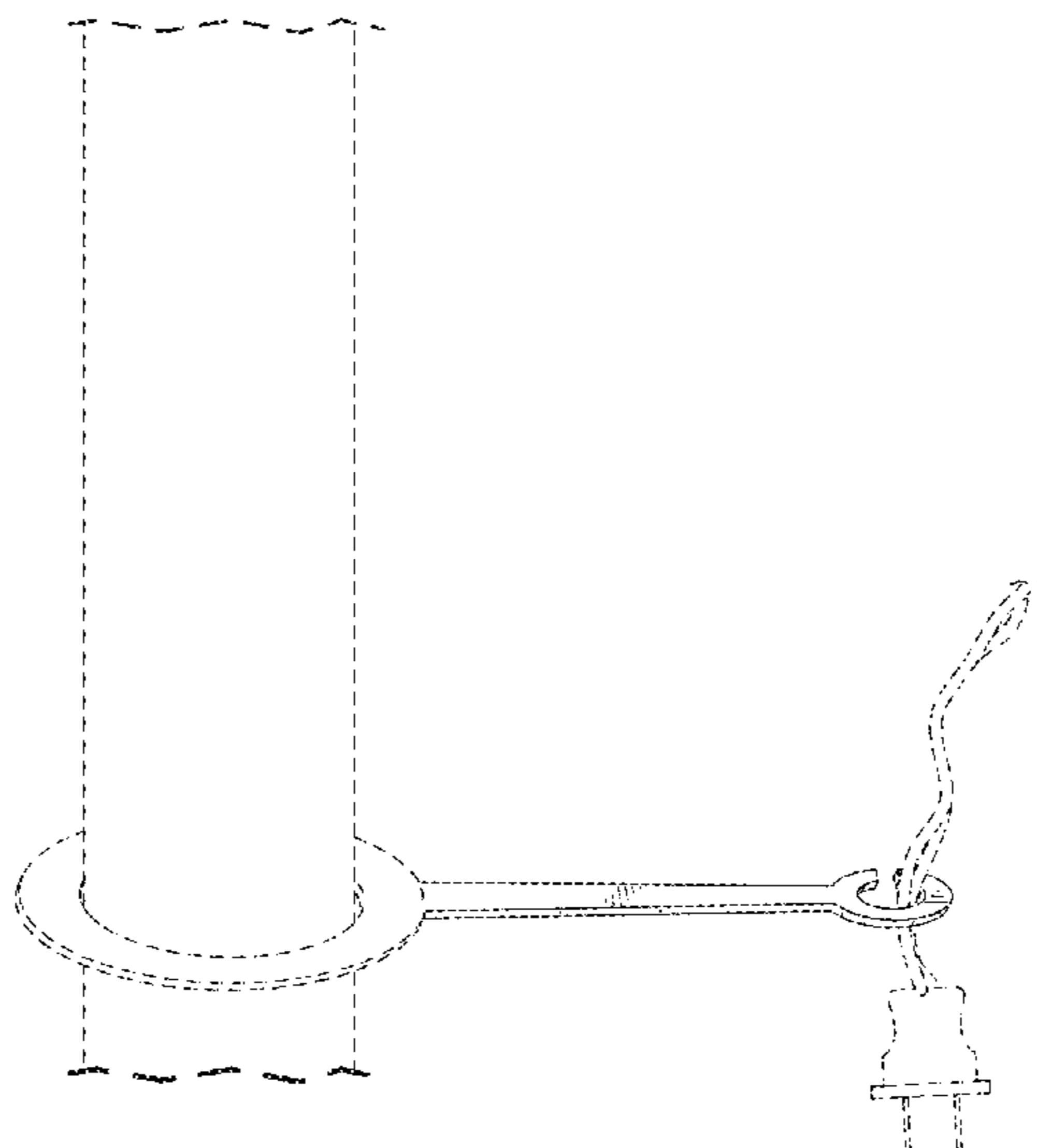
(57) **CLAIM**

The ornamental design for a wire manager, as shown and described.

DESCRIPTION

FIG. 1 is an environmental perspective view of a wire manager.
FIG. 2 is a perspective view of thereof.
FIG. 3 is a top plan view of thereof.
FIG. 4 is a bottom plan view of thereof.
FIG. 5 is a right side view of thereof.
FIG. 6 is a left side view of thereof.
FIG. 7 is a front view of thereof; and,
FIG. 8 is a back view of thereof.
The broken line showing of the pole and electrical cord in FIG. 1 illustrates the environment of the claimed design and forms no part thereof. The remaining broken lines in the drawings illustrate portions of the wire manager and form no part of the claimed design.

1 Claim, 3 Drawing Sheets



(56)

References Cited

U.S. PATENT DOCUMENTS

4,631,783 A 12/1986 Hayashi
 D287,908 S 1/1987 Fox
 D291,650 S 9/1987 Monzen
 D292,385 S 10/1987 Udelhofen
 4,708,306 A 11/1987 Mitomi
 D298,208 S 10/1988 Olsen
 D319,575 S * 9/1991 Young D26/138
 D329,788 S 9/1992 Andrew
 5,288,047 A 2/1994 Pan
 5,383,638 A 1/1995 Dieringer
 D356,730 S 3/1995 Lee
 D363,017 S * 10/1995 Noble D8/395
 5,613,656 A 3/1997 Protz
 D409,081 S 5/1999 Protz
 D413,060 S * 8/1999 Alberding D8/396
 D416,191 S * 11/1999 Edwards D8/394
 D419,856 S 2/2000 Richter
 D445,980 S 7/2001 Tjugum
 D467,492 S 12/2002 Wieder
 6,880,714 B2 4/2005 Blanchester
 D508,842 S * 8/2005 Paolini D8/395
 D523,907 S 7/2006 Law
 D535,562 S 1/2007 Wisler
 D541,943 S 5/2007 Stewart
 7,350,756 B2 4/2008 Woltmann

D587,569 S 3/2009 Eveleth
 D604,381 S * 11/2009 Miller D22/107
 D613,797 S * 4/2010 Krapf D19/99
 D619,448 S 7/2010 Shepardson
 D641,708 S 7/2011 Yamauchi
 D660,690 S 5/2012 Mixides
 D681,922 S * 5/2013 Franklin D2/859
 D687,611 S 8/2013 MacLean
 D691,032 S * 10/2013 Chen D8/396
 D717,692 S 11/2014 Breen
 D732,009 S * 6/2015 Bak D14/229
 D732,933 S 6/2015 Jansen
 D735,568 S 8/2015 Barnett
 D739,853 S 9/2015 Lee
 D749,409 S 2/2016 Martinson
 D753,985 S * 4/2016 Nelson D8/356
 D776,990 S 1/2017 To
 D796,946 S * 9/2017 Pittman D8/395
 D802,399 S 11/2017 Ward
 D805,192 S * 12/2017 Mahood D24/127
 D808,769 S * 1/2018 Yitzhaki D8/349
 D811,859 S 3/2018 Orser
 D826,178 S 8/2018 Ridl
 D838,162 S 1/2019 Chen
 D847,611 S 5/2019 Altamura
 D857,484 S 8/2019 Altamura
 D864,383 S * 10/2019 Mahood D24/127
 2013/0232731 A1 9/2013 Schradin

* cited by examiner

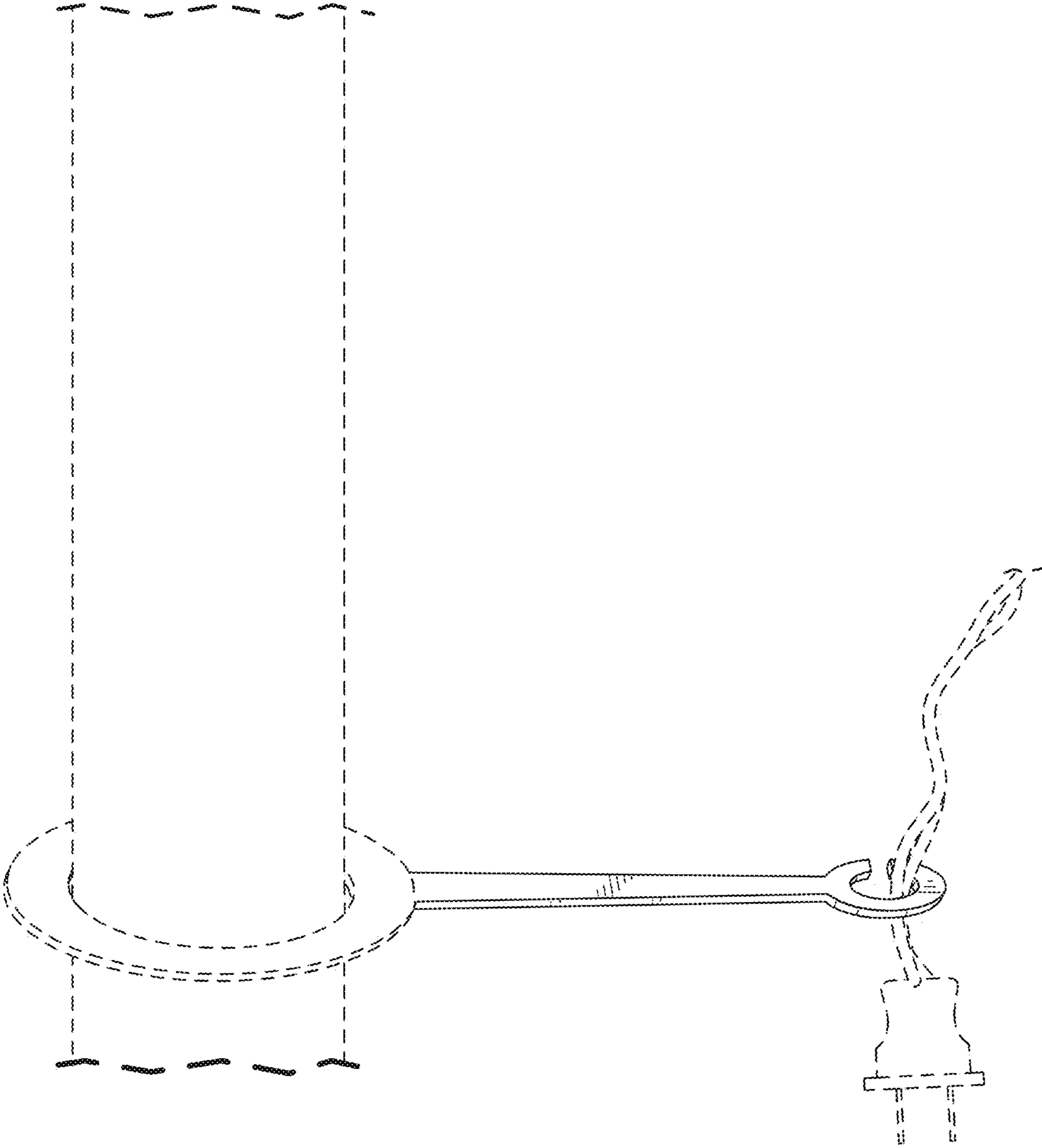


FIG. 1

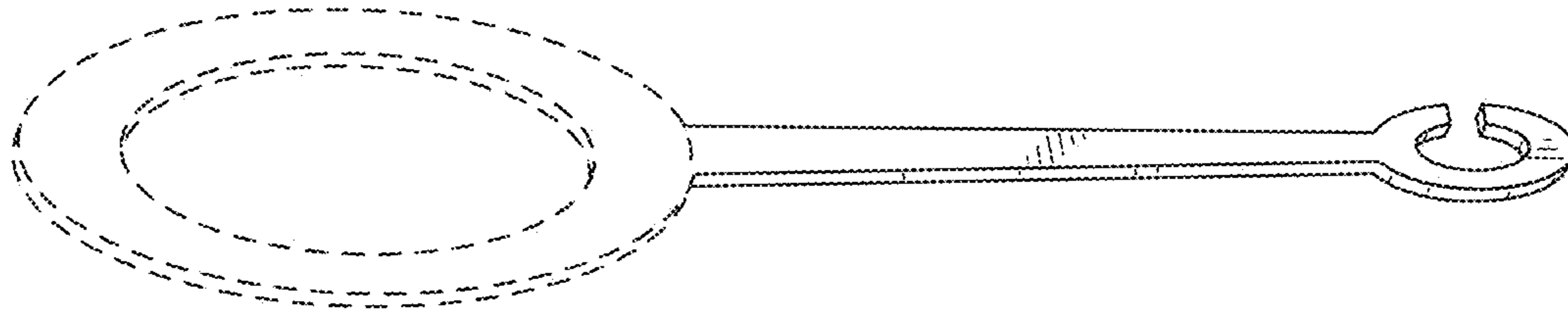


FIG. 2

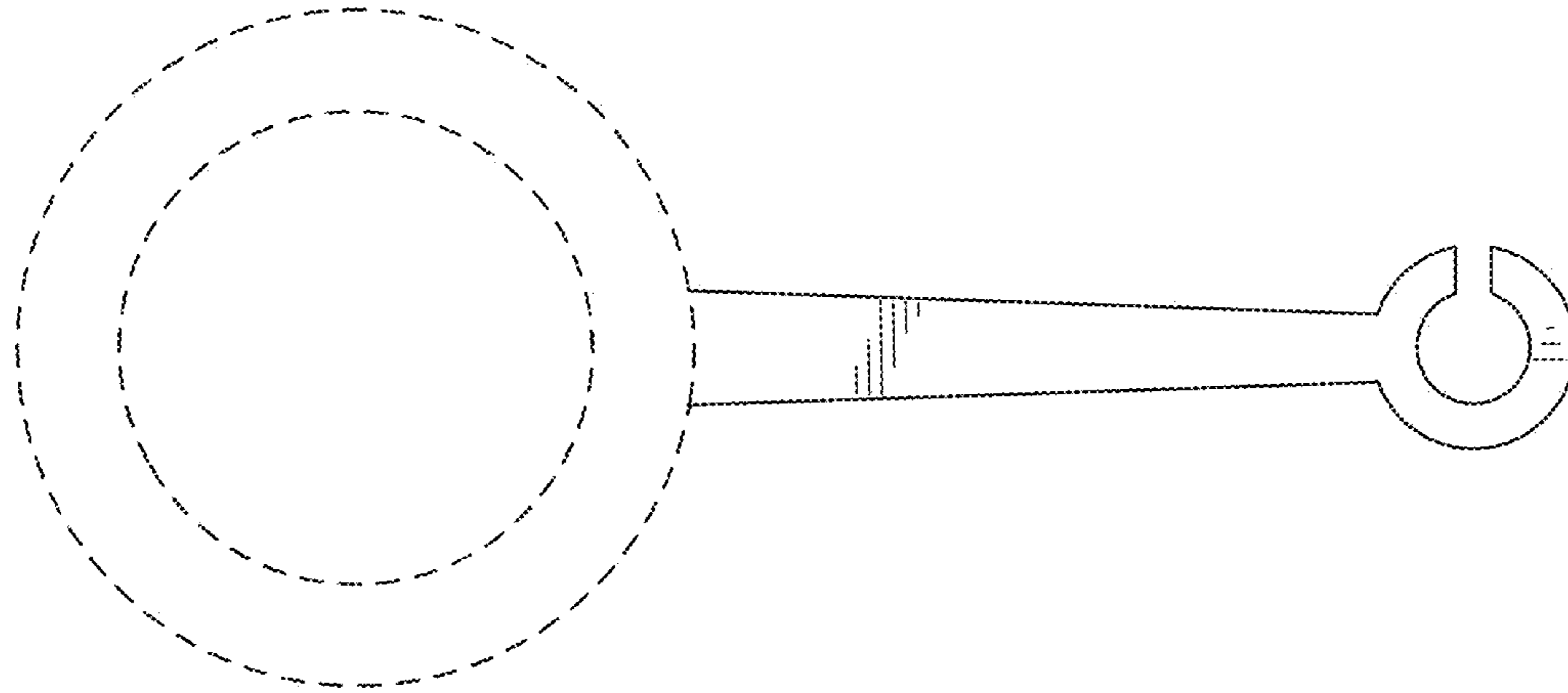


FIG. 3

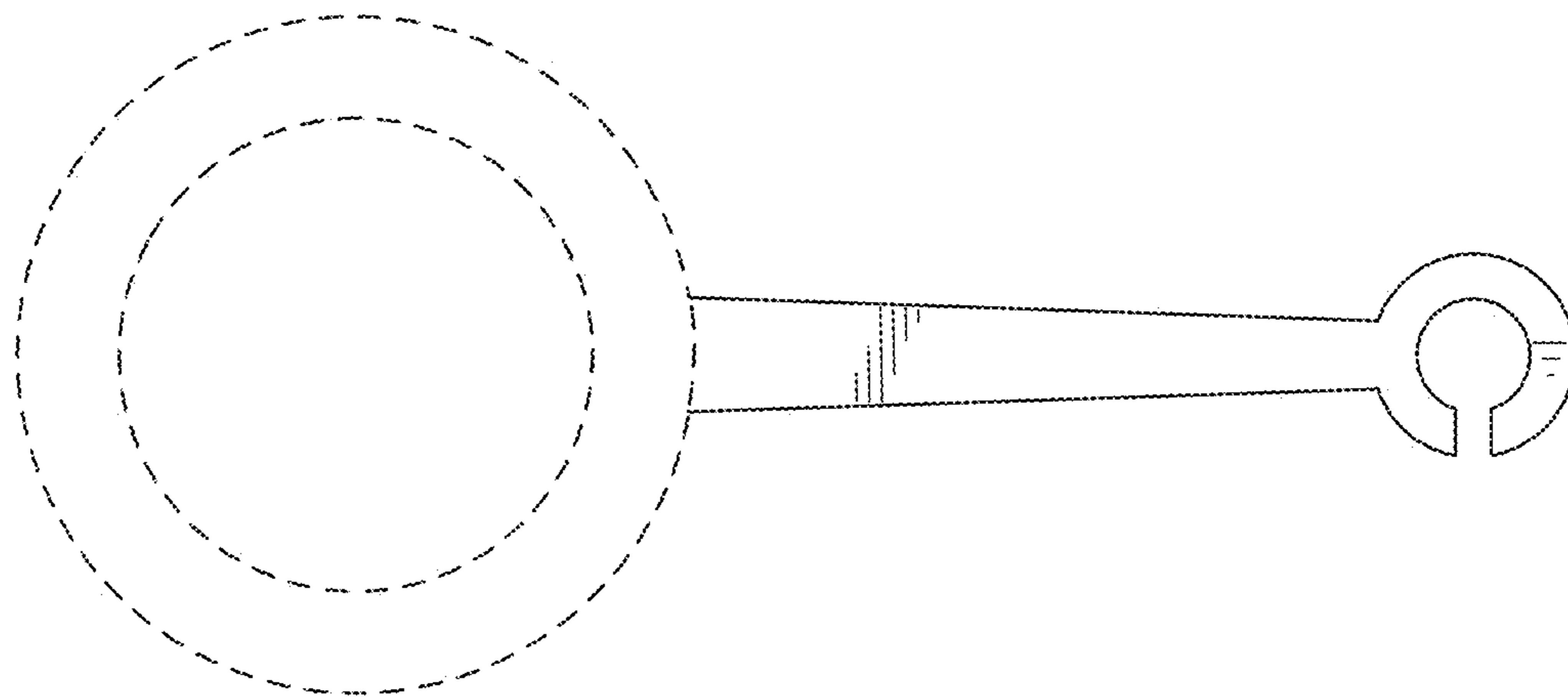


FIG. 4

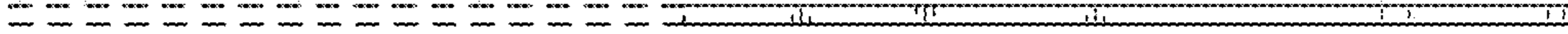


FIG. 5

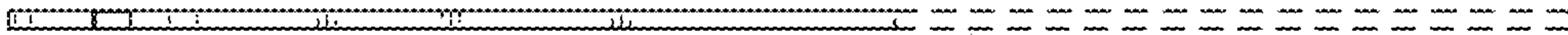


FIG. 6

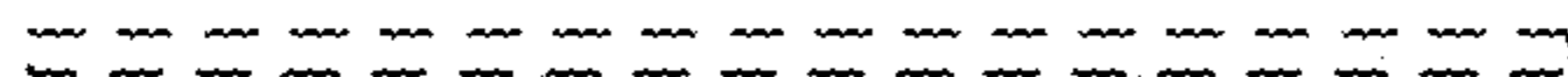


FIG. 7

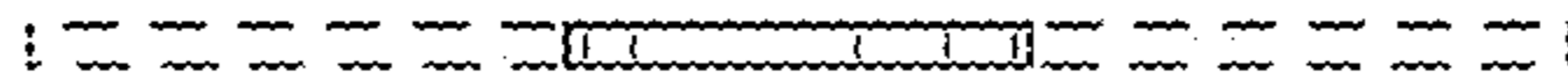


FIG. 8