



US00D928589S

(12) **United States Design Patent**
Huyghe

(10) **Patent No.:** **US D928,589 S**

(45) **Date of Patent:** **** Aug. 24, 2021**

(54) **PIN PLATE**

(71) Applicant: **beMatrix bvba**, Roeselare (BE)

(72) Inventor: **Xavier Kurt Huyghe**, Gullegem (BE)

(73) Assignee: **BEMATRIX BVBA**, Roeselare (BE)

(**) Term: **15 Years**

(21) Appl. No.: **29/659,369**

(22) Filed: **Aug. 8, 2018**

(30) **Foreign Application Priority Data**

Feb. 12, 2018 (EM) 004706216-0001

(51) **LOC (13) Cl.** **08-08**

(52) **U.S. Cl.**
USPC **D8/349**

(58) **Field of Classification Search**
USPC D8/349, 354, 355, 330, 331, 333, 380,
D8/382; D6/672, 684, 680, 683.1, 703.5
CPC .. E04B 1/2604; E04B 2001/2644; F16B 7/18;
F16B 37/145; Y10T 403/4602; Y10T
403/4674; Y10T 403/3906
See application file for complete search history.

(56) **References Cited**

U.S. PATENT DOCUMENTS

5,108,399	A *	4/1992	Eitenmuller	A61B 17/8047 606/298
D493,355	S *	7/2004	Dinh	D8/356
D598,219	S *	8/2009	Sparks, Jr.	D8/349
7,766,948	B1 *	8/2010	Leung	A61B 17/8014 606/291
D623,751	S *	9/2010	Weiman	D24/155
D763,663	S *	8/2016	Deleu	D8/349
9,924,984	B2 *	3/2018	Hartdegen	A61B 17/8057
D847,621	S *	5/2019	Kolar	D8/381
D856,786	S *	8/2019	Stapleton	D8/382
2005/0165400	A1 *	7/2005	Fernandez	A61B 17/8047 606/281

2006/0200147	A1 *	9/2006	Ensign	A61B 17/8038 606/281
2009/0024170	A1 *	1/2009	Kirschman	A61B 17/8052 606/280
2009/0281543	A1 *	11/2009	Orbay	A61B 17/80 606/70

(Continued)

OTHER PUBLICATIONS

Product literature featuring "Lightweight Positioning Pins", by beMatrix bvba, 4 pages, Sep. 2014, retrieved from the internet: https://www.bematrix.com/media/files/Article-group-Leaflet_lightweight_positioning_pins_ENG_LR.pdf.

Primary Examiner — Mark A Goodwin

Assistant Examiner — Benjamin M Weeks

(74) *Attorney, Agent, or Firm* — Thompson Hine LLP

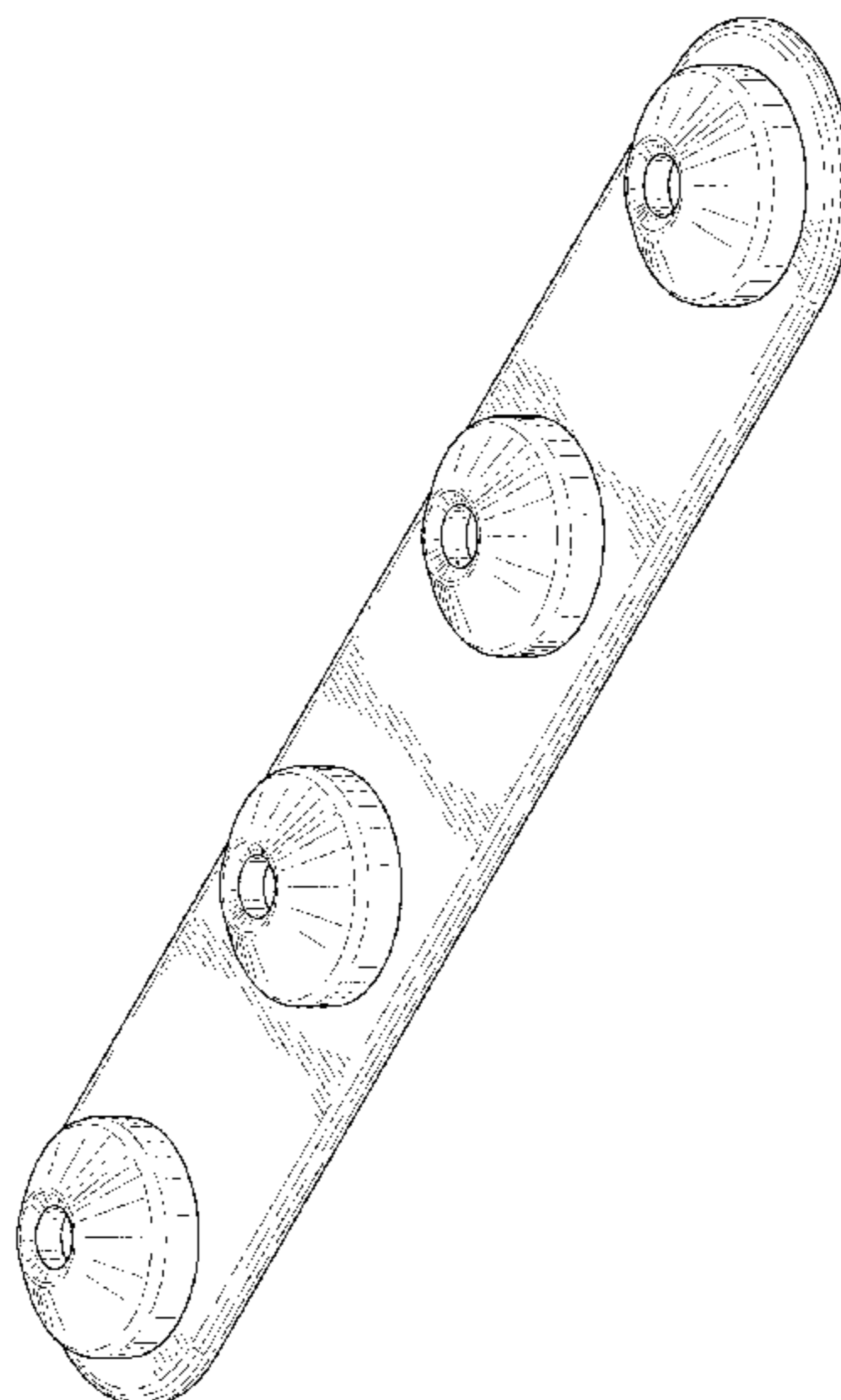
(57) **CLAIM**

The ornamental design for a pin plate, as shown and described.

DESCRIPTION

FIG. 1 is a perspective view of a pin plate;
FIG. 2 is a top view of the pin plate of FIG. 1;
FIG. 3 is a bottom view of the pin plate of FIG. 1;
FIG. 4 is a side view of the pin plate of FIG. 1 from a point of view positioned at the right side of FIG. 2;
FIG. 5 is a side view of the pin plate of FIG. 1 from a point of view positioned at the left side of FIG. 2;
FIG. 6 is a side view of the pin plate of FIG. 1 from a point of view positioned at the top side of FIG. 2;
FIG. 7 is a side view of the pin plate of FIG. 1 from a point of view positioned at the bottom side of FIG. 2;
FIG. 8 is an alternate perspective view of the pin plate of FIG. 1; and,
FIG. 9 is another perspective view of the pin plate of FIG. 1 which includes the bottom surfaces shown in FIG. 3.

1 Claim, 6 Drawing Sheets



(56)

References Cited

U.S. PATENT DOCUMENTS

2011/0255915 A1* 10/2011 Chen F16B 12/125
403/381
2012/0059425 A1* 3/2012 Biedermann A61B 17/861
606/291
2012/0065690 A1* 3/2012 Perrow A61B 17/7059
606/294
2014/0079509 A1* 3/2014 Chalverat F16B 5/02
411/366.1

* cited by examiner

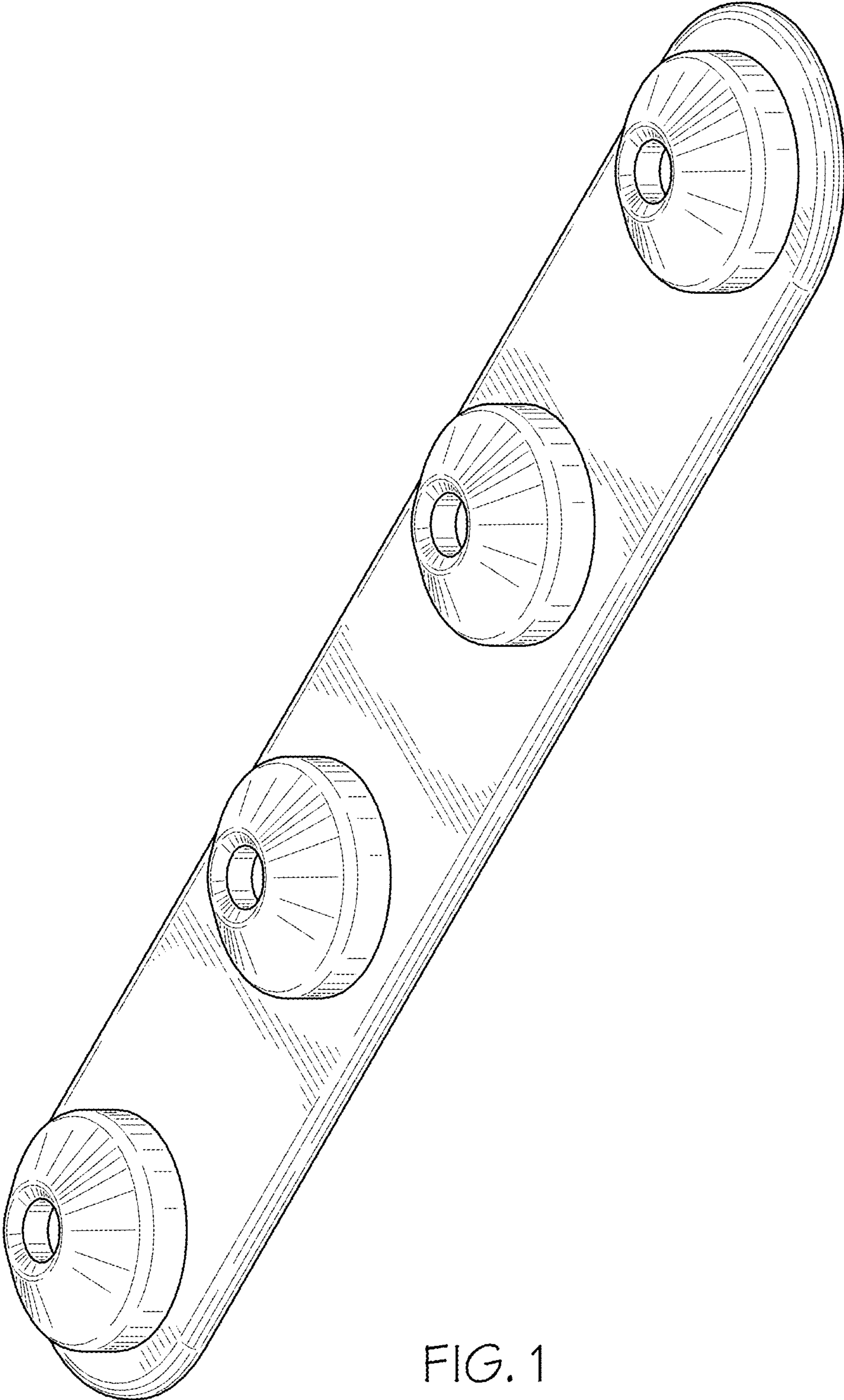


FIG. 1

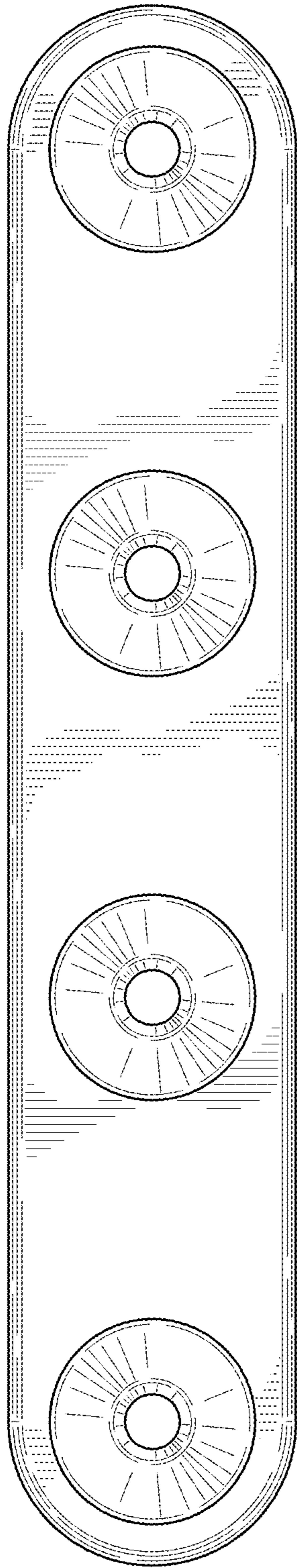


FIG. 2

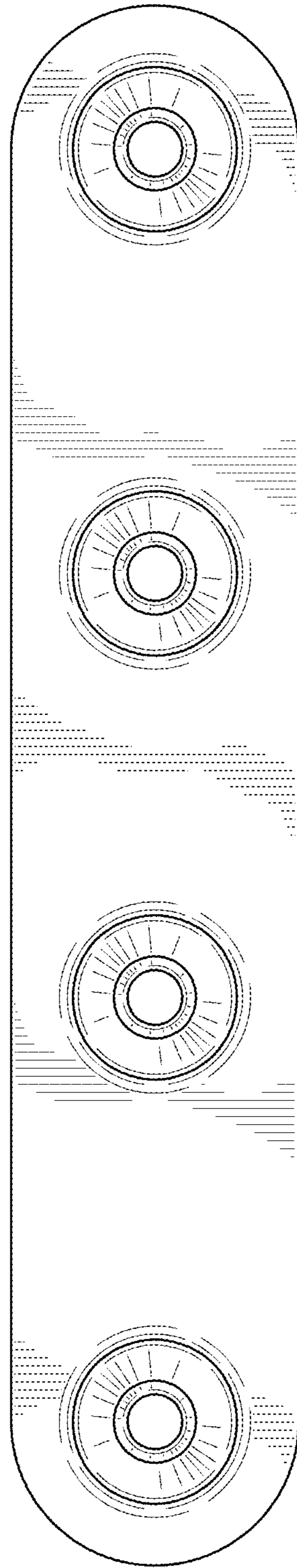


FIG. 3

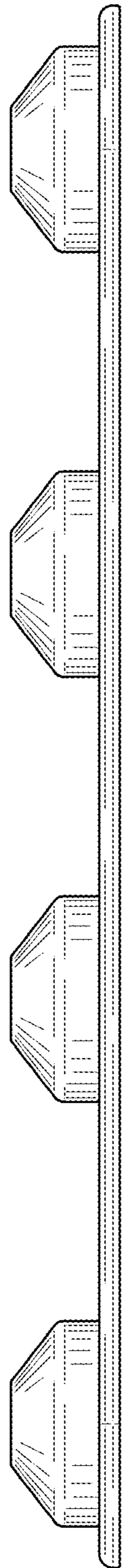


FIG. 4

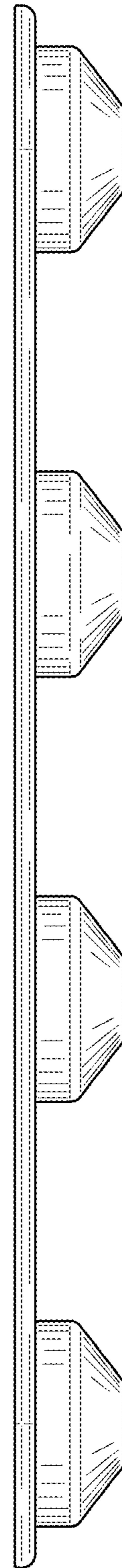


FIG. 5

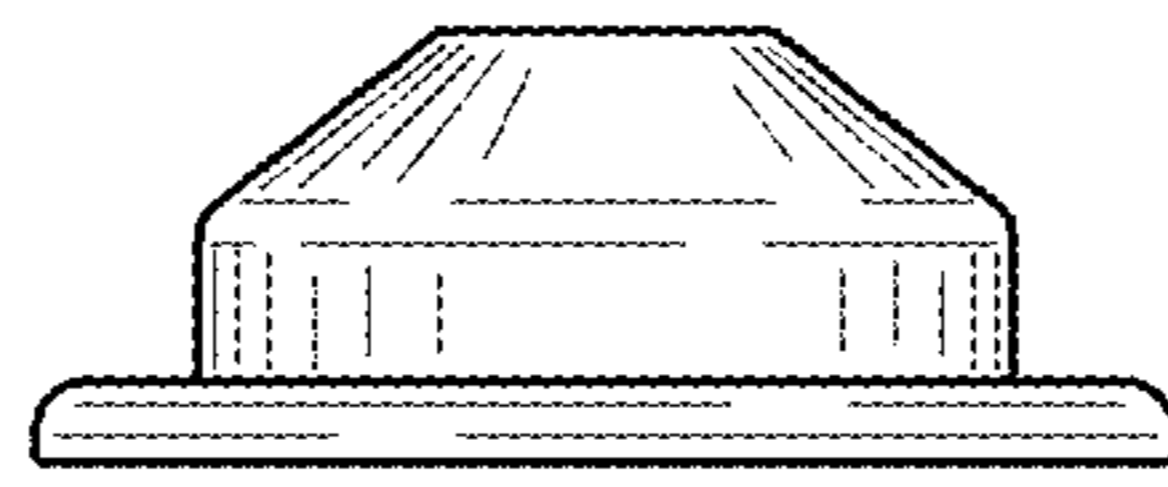


FIG. 6

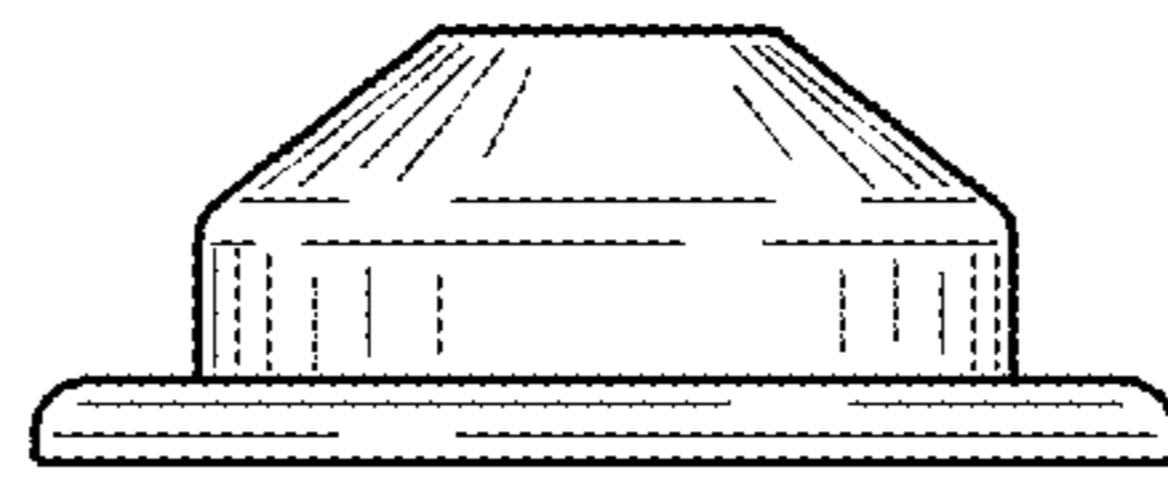


FIG. 7

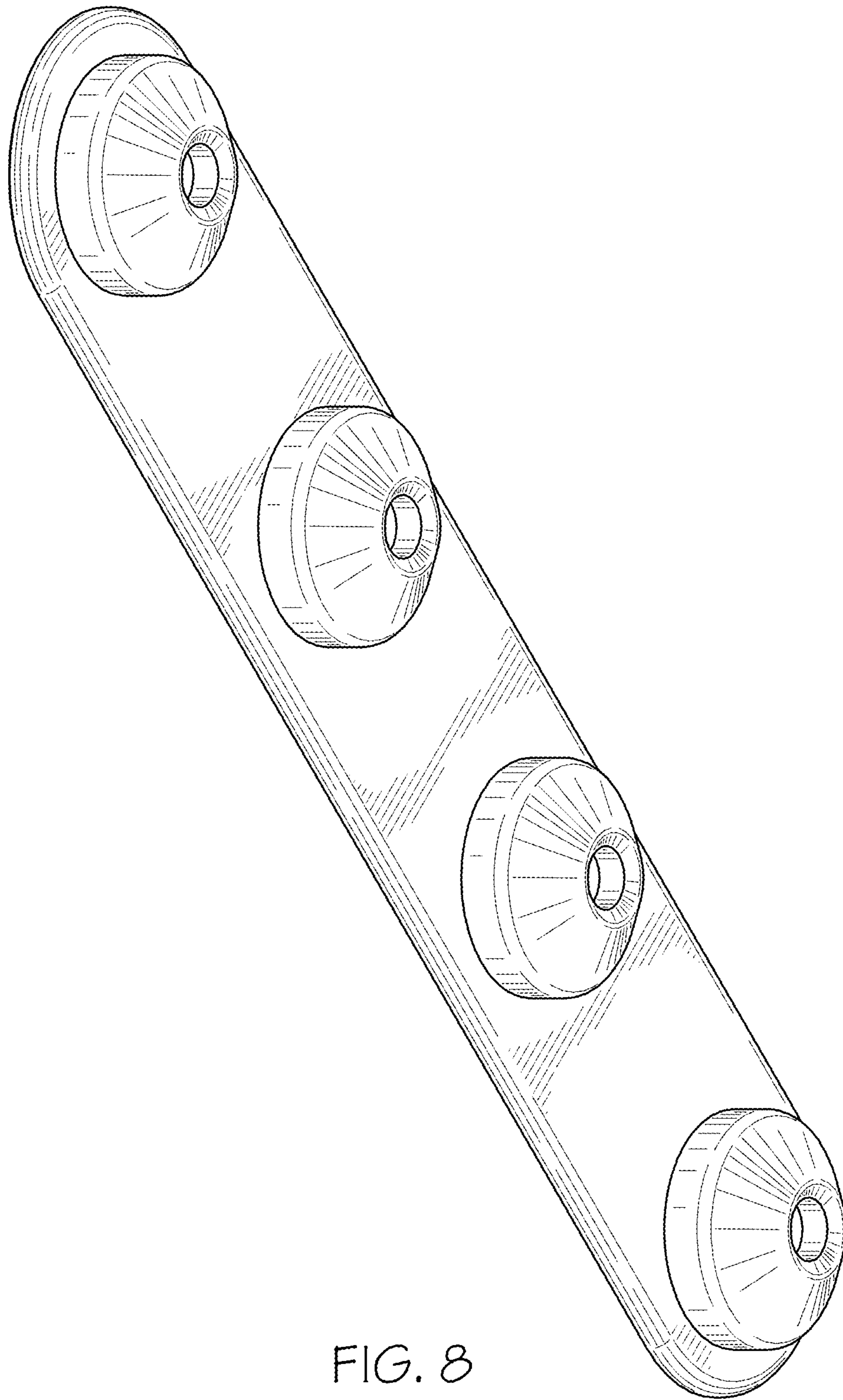


FIG. 8

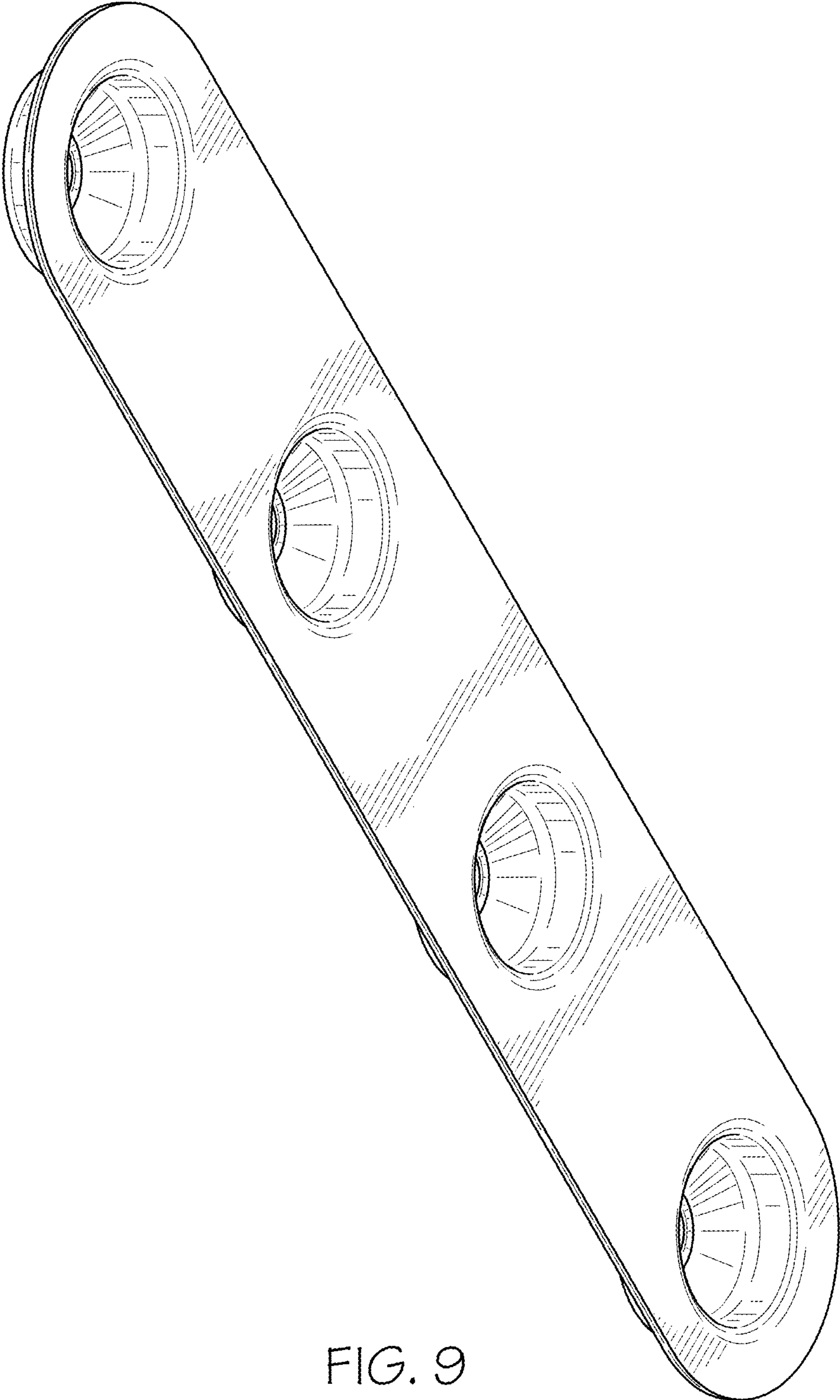


FIG. 9