



US00D928588S

(12) **United States Design Patent**  
**Marsden**

(10) **Patent No.:** **US D928,588 S**

(45) **Date of Patent:** **\*\* Aug. 24, 2021**

(54) **LATCH**

D747,950 S \* 1/2016 Jacobsen ..... D8/331  
D775,509 S 1/2017 Marsden  
D800,534 S 10/2017 Marsden

(71) Applicant: **Elbee Pty Ltd.**, Bondi Junction (AU)

(72) Inventor: **Andrew Marsden**, Hingham, MA (US)

(73) Assignee: **Elbee Pty Ltd.**, Bondi Junction (AU)

(\*\*) Term: **15 Years**

(21) Appl. No.: **29/724,101**

(22) Filed: **Feb. 12, 2020**

(51) **LOC (13) Cl.** ..... **08-07**

(52) **U.S. Cl.**  
USPC ..... **D8/343**; D8/331

(58) **Field of Classification Search**  
USPC ..... D8/330, 331, 339, 343  
CPC ..... E05B 65/0014; E05B 65/46; E05B 13/00;  
Y10S 292/65; Y10S 292/12  
See application file for complete search history.

(56) **References Cited**

**U.S. PATENT DOCUMENTS**

- 4,139,249 A \* 2/1979 Hillman ..... E05B 65/0014  
292/175
- 5,147,099 A \* 9/1992 McLinden ..... E05B 17/2019  
292/152
- 5,738,394 A \* 4/1998 Arabia, Jr. .... E05B 77/265  
292/216
- 5,823,649 A \* 10/1998 Hinrichs ..... E05B 65/0014  
312/334.45
- 7,344,209 B1 \* 3/2008 Miyashiro ..... E05B 65/0014  
312/333
- D660,681 S \* 5/2012 Giraud ..... D8/331
- D712,723 S \* 9/2014 Seiders ..... B65D 45/00  
D8/343
- D732,370 S \* 6/2015 Pittman ..... D8/331

**OTHER PUBLICATIONS**

[No Author Listed] Product listing for Dreambaby Safety Catches—2 Pack. Dreambaby. <https://www.dream-baby.com/home-safety/locks-latches/1-safety-catches-2-pack.html>. Product publicly available at least as early as Feb. 11, 2019, 3 pages.

\* cited by examiner

*Primary Examiner* — Doris Clark

(74) *Attorney, Agent, or Firm* — Wolf, Greenfield & Sacks, P.C.

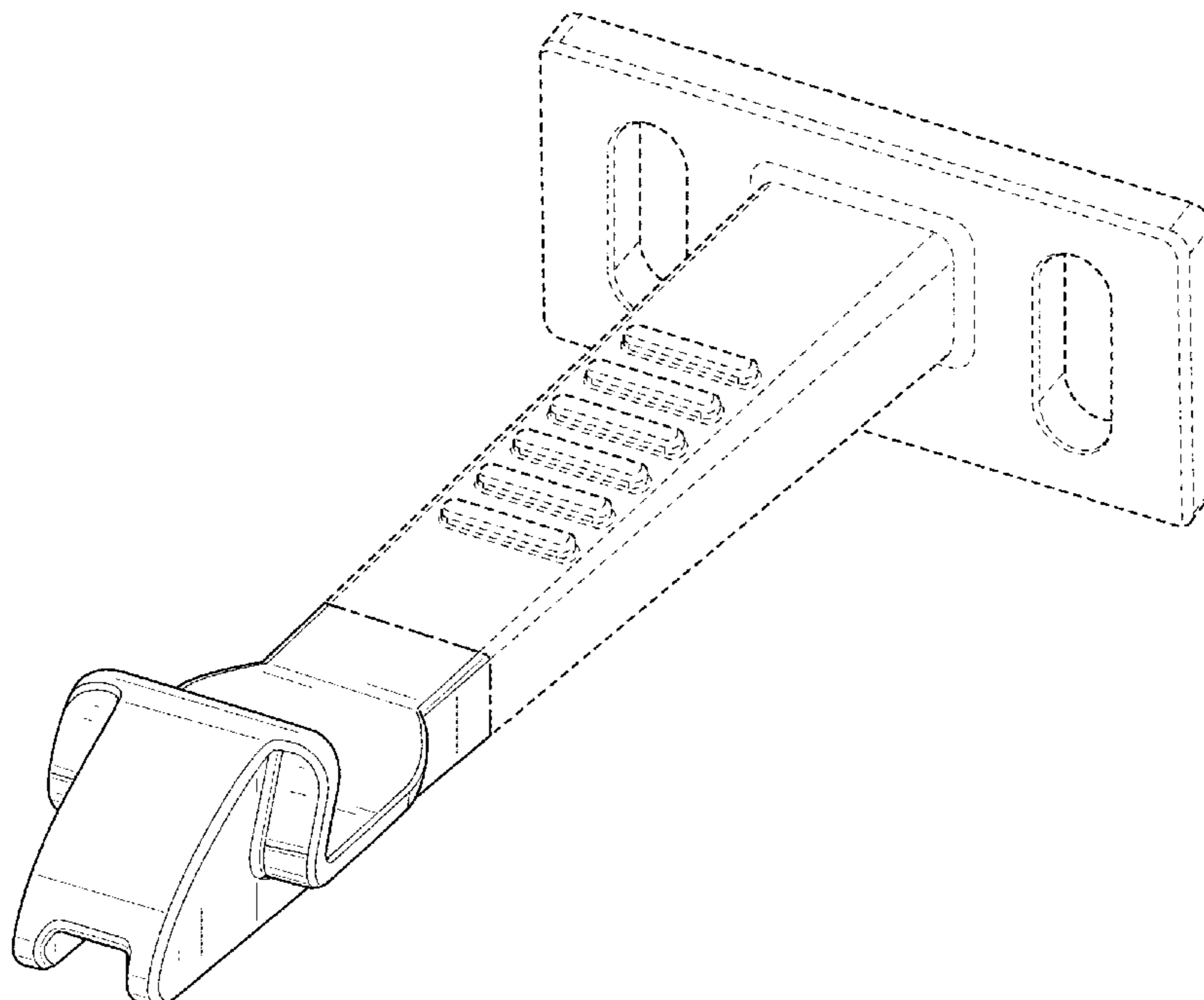
(57) **CLAIM**

The ornamental design for a latch, as shown and described.

**DESCRIPTION**

FIG. 1 is a top, front, and right side perspective view of a latch according to my new design; FIG. 2 is a front elevation view thereof; FIG. 3 is a rear elevation view thereof; FIG. 4 is a left side elevation view thereof; FIG. 5 is a right side elevation view thereof; FIG. 6 is a top plan view thereof; and, FIG. 7 is bottom plan view thereof. The dot-dash broken lines represent boundaries of the claimed design and form no part of the claimed design. The dash-dash broken lines depict portions of the latch that form no part of the claimed design.

**1 Claim, 7 Drawing Sheets**



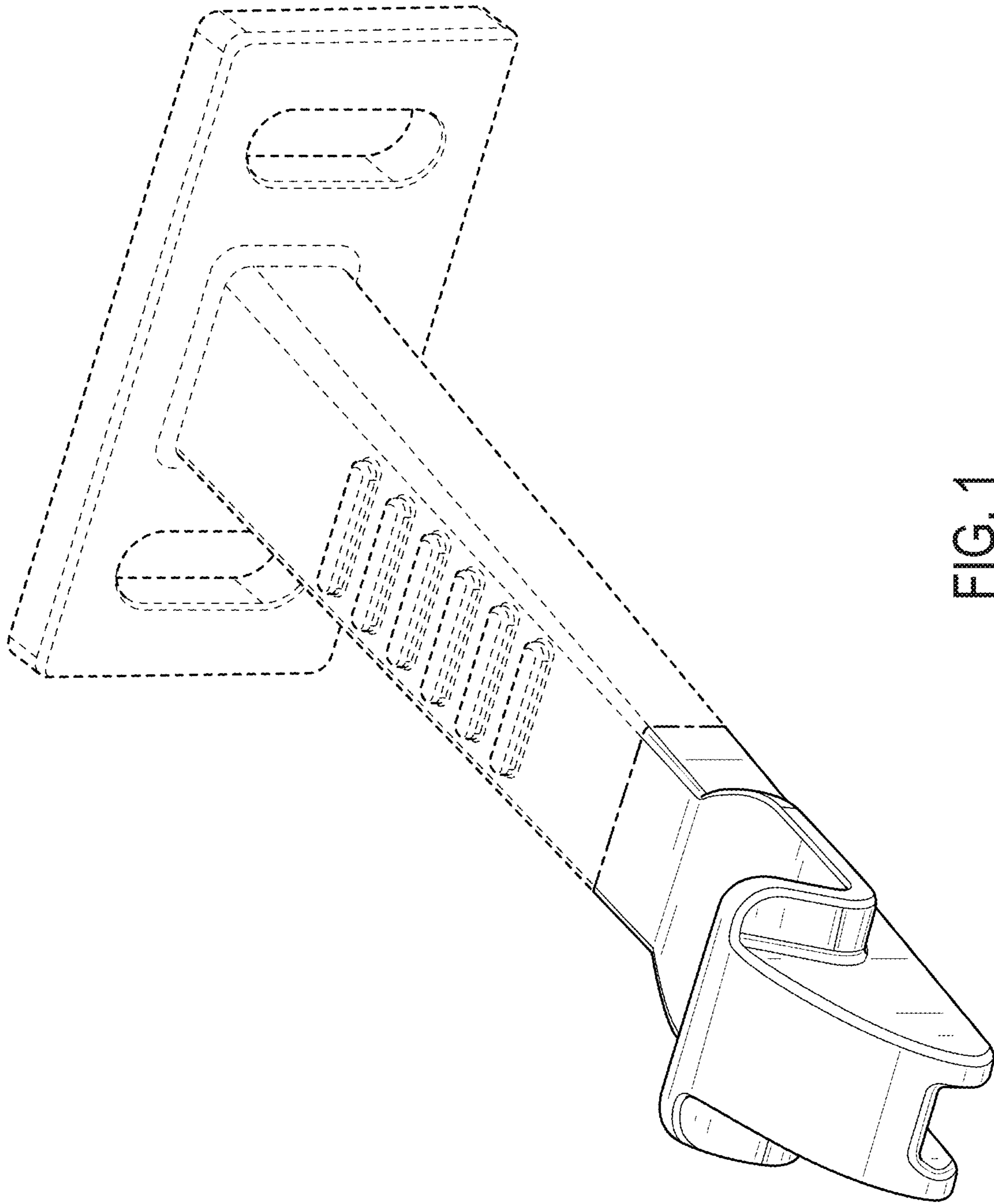


FIG. 1

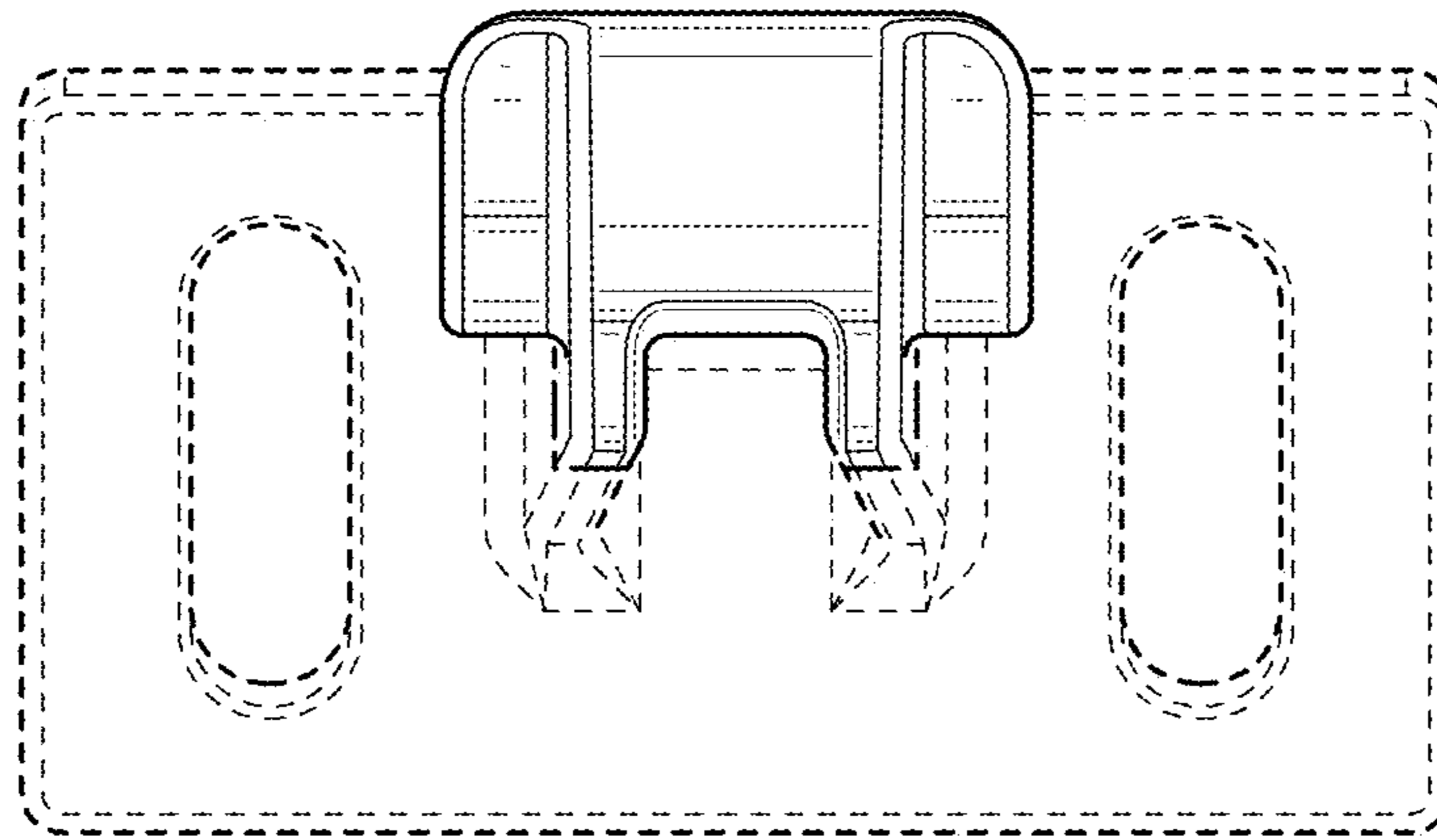


FIG. 2

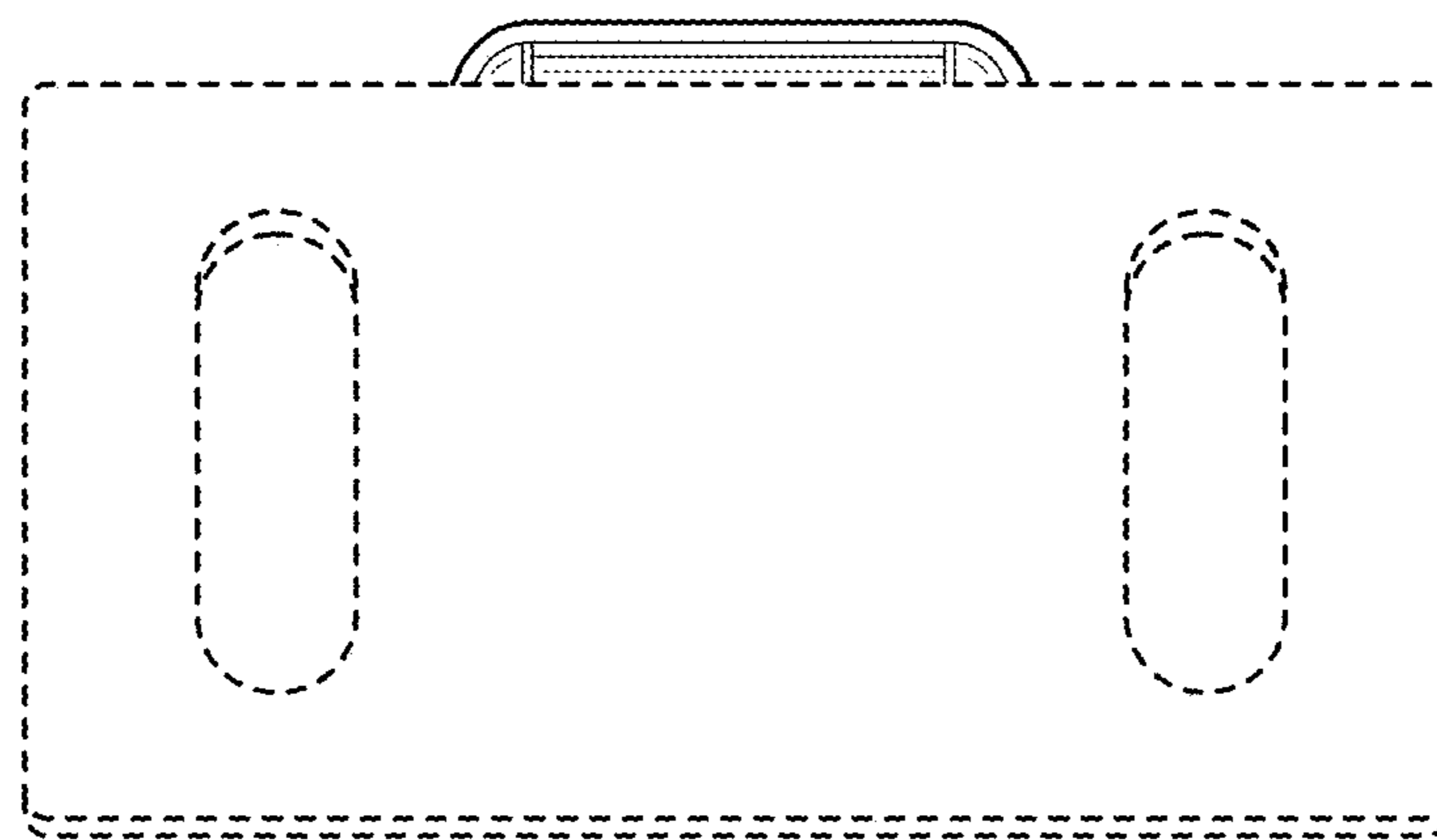


FIG. 3

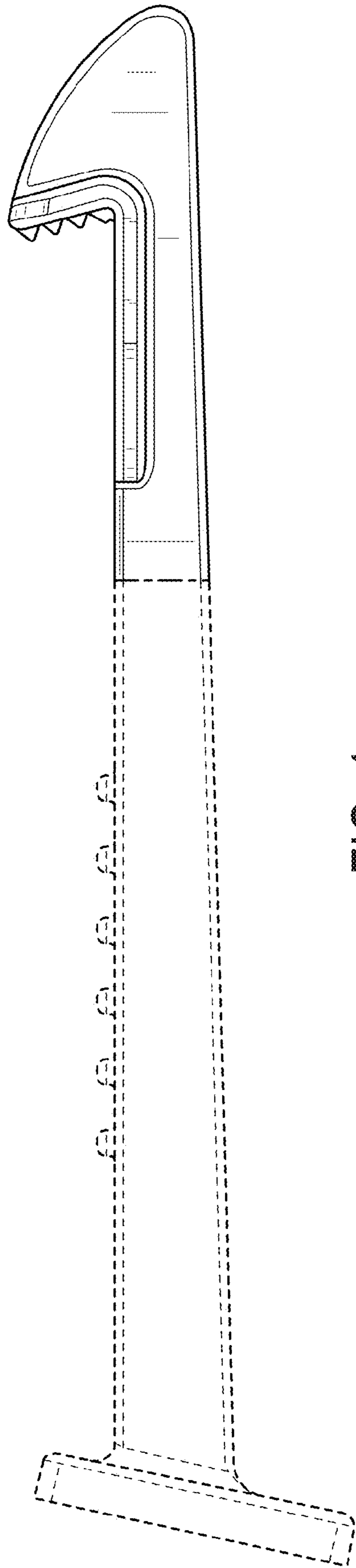


FIG. 4

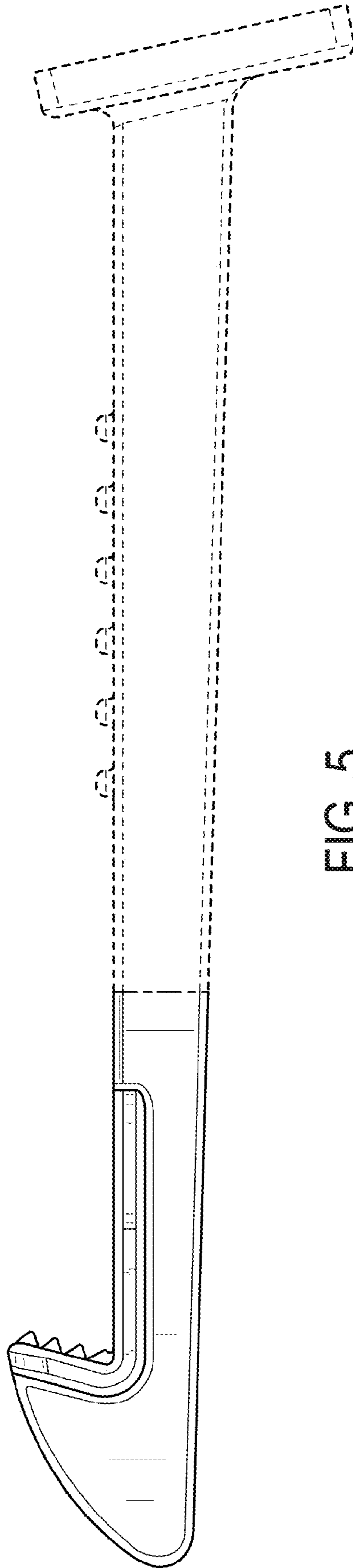


FIG. 5

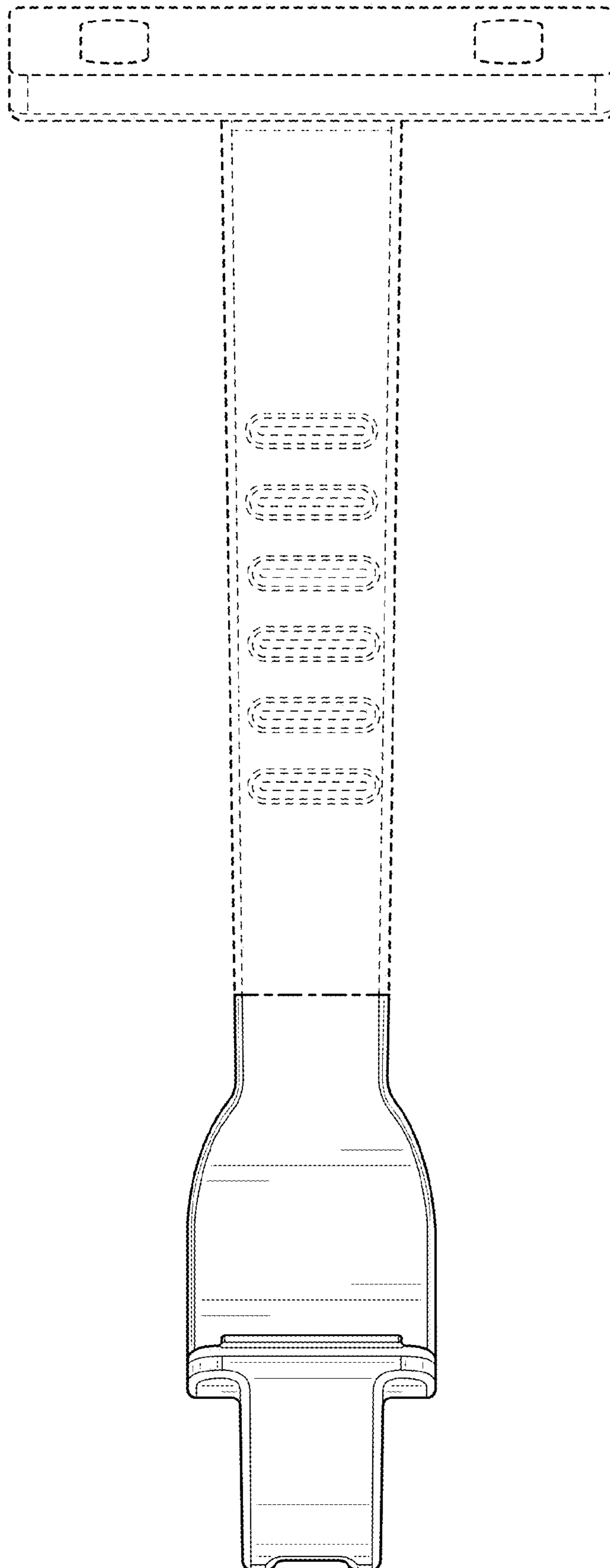


FIG. 6

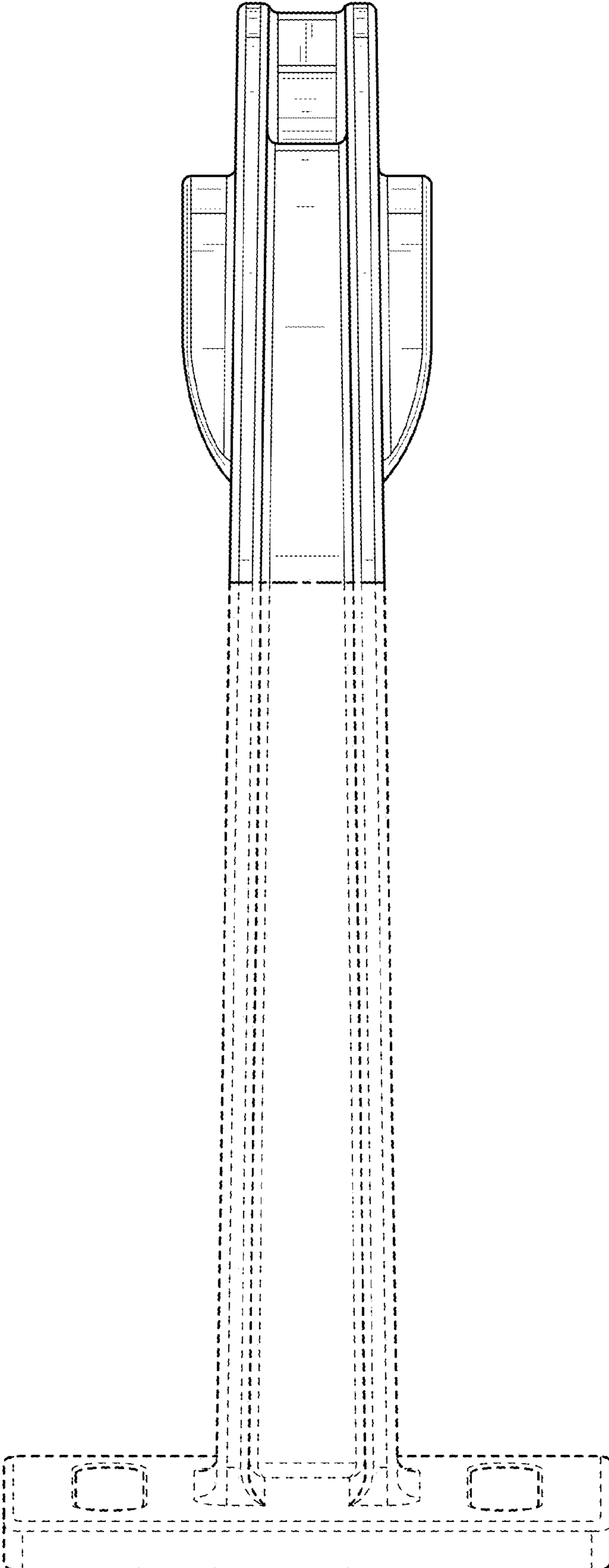


FIG. 7