



US00D928585S

(12) **United States Design Patent**  
**Ni**

(10) **Patent No.:** **US D928,585 S**

(45) **Date of Patent:** **\*\* Aug. 24, 2021**

(54) **KINGPIN LOCK**

(71) Applicant: **ZHEJIANG OKLEAD AUTO PARTS CO., LTD.**, Ruian (CN)

(72) Inventor: **Lixing Ni**, Ruian (CN)

(73) Assignee: **ZHEJIANG OKLEAD AUTO PARTS CO., LTD.**, Ruian (CN)

(\*\*) Term: **15 Years**

(21) Appl. No.: **29/695,107**

(22) Filed: **Jun. 15, 2019**

(51) **LOC (13) Cl.** ..... **08-07**

(52) **U.S. Cl.**  
USPC ..... **D8/333; D8/330**

(58) **Field of Classification Search**  
USPC ..... D8/232-334, 302, 309, 321, 336-350;  
70/232, 14, 163, 507; 280/507, 432, 434;  
292/201, 216, 332, 335, 428, 163  
(Continued)

(56) **References Cited**

**U.S. PATENT DOCUMENTS**

4,132,093 A \* 1/1979 McDorman, Sr. ... B62D 53/085  
70/165  
4,141,233 A \* 2/1979 Reyes ..... B62D 53/085  
70/232

(Continued)

**FOREIGN PATENT DOCUMENTS**

CN 302604763 \* 6/2013  
CN 304761544 \* 2/2018

(Continued)

**OTHER PUBLICATIONS**

KAYCENTOP, Kingpin Lock Fifth Wheel Lock Heavy Duty Alloy  
5th Wheel Security Anti Theft King Pin Lock, Date first available

Dec. 22, 2019, [online]retrieved Jan. 7, 2021, available from internet, [https://www.amazon.com/KAYCENTOP-Kingpin-Security-Deterrent-Trailers/dp/B08315WWDH/ref=sr\\_1](https://www.amazon.com/KAYCENTOP-Kingpin-Security-Deterrent-Trailers/dp/B08315WWDH/ref=sr_1) (Year: 2019).\*

(Continued)

*Primary Examiner* — Keli L Hill

*Assistant Examiner* — Sara S Sahneh

(74) *Attorney, Agent, or Firm* — Yong Chen

(57) **CLAIM**

The ornamental design for a kingpin lock, as shown and described.

**DESCRIPTION**

FIG. 1 is a front view of a kingpin lock of the present invention, when the lock is in a locked configuration.

FIG. 2 is a rear view thereof.

FIG. 3 is a left view thereof.

FIG. 4 is a right view thereof.

FIG. 5 is a top view thereof.

FIG. 6 is a bottom view thereof.

FIG. 7 is a perspective view thereof.

FIG. 8 is a front view of the kingpin lock of the present invention, when the lock is in an unlocked configuration.

FIG. 9 is a rear view of the kingpin lock in the unlocked configuration as shown in FIG. 8.

FIG. 10 is a left view of the kingpin lock in the unlocked configuration as shown in FIG. 8.

FIG. 11 is a right view of the kingpin lock in the unlocked configuration as shown in FIG. 8.

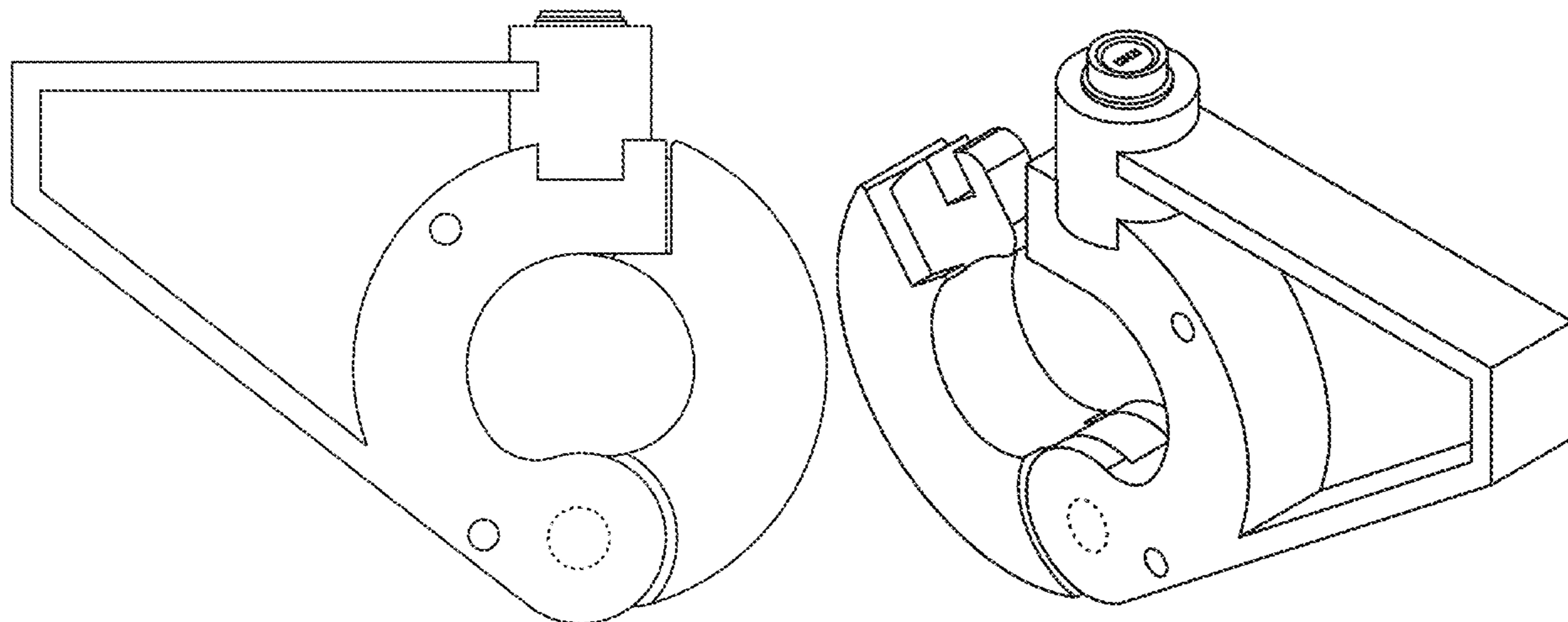
FIG. 12 is a top view of the kingpin lock in the unlocked configuration as shown in FIG. 8.

FIG. 13 is a bottom view of the kingpin lock in the unlocked configuration as shown in FIG. 8; and,

FIG. 14 is a perspective view of the kingpin lock in the unlocked configuration as shown in FIG. 8.

The broken lines shown are included for the purpose of illustrating portions of the kingpin lock that forms no part of the claimed design.

**1 Claim, 14 Drawing Sheets**



(58) **Field of Classification Search**

CPC ..... B60S 9/04; B62D 53/085; B62D 53/08;  
 E05B 73/00; E05B 65/0811; E05B  
 63/0065; E05B 47/0012; E05B 63/128;  
 E05C 1/04; Y10T 292/0969; B64C 1/14;  
 B64C 1/00; B64F 5/00

See application file for complete search history.

2006/0096876 A1\* 5/2006 Scott ..... B62D 53/085  
 206/349  
 2007/0029758 A1\* 2/2007 Maffey ..... B60D 1/60  
 280/507  
 2017/0021877 A1\* 1/2017 Drumgold ..... B62D 53/085

FOREIGN PATENT DOCUMENTS

CN	305542113	* 6/2019
CN	305817232	* 12/2019
CN	306070052	* 12/2019
GB	2105984	* 11/2001
IL	17095	* 11/1990

(56) **References Cited**

U.S. PATENT DOCUMENTS

D261,858	S *	11/1981	Lassiter	.....	D8/331
D279,351	S *	6/1985	Lassiter	.....	D8/331
D281,220	S *	11/1985	Lassiter	.....	D8/331
4,553,415	A *	11/1985	Maffey	.....	B62D 53/085 70/232
4,620,718	A *	11/1986	Mickelson	.....	B62D 53/085 280/432
4,697,444	A *	10/1987	Maffey	.....	B62D 53/085 70/232
4,704,883	A *	11/1987	Dykes	.....	B62D 53/085 70/229
5,136,863	A *	8/1992	Richardson	.....	B62D 53/085 70/14
6,578,392	B1 *	6/2003	Bowman	.....	B60D 1/60 280/507
D664,829	S *	8/2012	DeVries	.....	D8/331
D785,517	S *	5/2017	Gobert	.....	D12/179
2004/0261470	A1 *	12/2004	Palzkill	.....	B62D 53/085 70/14
2005/0252256	A1 *	11/2005	Escalante, III	.....	B60D 1/60 70/14

OTHER PUBLICATIONS

OKLEAD, 5th Wheel King Pin Lock Heavy Duty Anti Theft Coupler Lock, Date first available Jun. 2, 2019, [online]retrieved Jan. 7, 2020, available from internet, [https://www.amazon.com/dp/B07SLXLD74/ref=sspa\\_dk\\_detail\\_2?psc=1&pd\\_rd\\_i=B07SLXLD74&pd\\_rd\\_w=4Z2U6&pf\\_rd\\_p=7d37a48b-2b1a-4373-8c1a-bdcc5da66be9](https://www.amazon.com/dp/B07SLXLD74/ref=sspa_dk_detail_2?psc=1&pd_rd_i=B07SLXLD74&pd_rd_w=4Z2U6&pf_rd_p=7d37a48b-2b1a-4373-8c1a-bdcc5da66be9) (Year: 2019).\*

Boyisen, 5th Wheel King Pin Lock Solid Steel Anti Theft for RVs, Date first available Sep. 5, 2019, [online]retrieved Dec. 24, 2020, available from internet, [https://www.amazon.com/dp/B07XD9G55J/ref=sspa\\_dk\\_detail\\_0?psc=1&pd\\_rd\\_i=B07XD9G55J&pd\\_rd\\_w=usUkQ&pf\\_rd\\_p=7d37a48b-2b1a-4373-8c](https://www.amazon.com/dp/B07XD9G55J/ref=sspa_dk_detail_0?psc=1&pd_rd_i=B07XD9G55J&pd_rd_w=usUkQ&pf_rd_p=7d37a48b-2b1a-4373-8c) (Year: 219).\*

OKLEAD, Heavy Duty Steel Kingpin Lock 5Th Wheel Trailer Lock King Pin, Date first available, [online]retrieved Dec. 24, 2020, available from internet, Dec. 20, 2018, [https://www.amazon.com/OKLEAD-Heavy-Steel-Kingpin-Trailer/dp/B07M5JRP27/ref=sr\\_1\\_2\\_sspa?dchild=1&keywords=trailer+kingpin+lock&qid=16](https://www.amazon.com/OKLEAD-Heavy-Steel-Kingpin-Trailer/dp/B07M5JRP27/ref=sr_1_2_sspa?dchild=1&keywords=trailer+kingpin+lock&qid=16) (Year: 2018).\*

\* cited by examiner

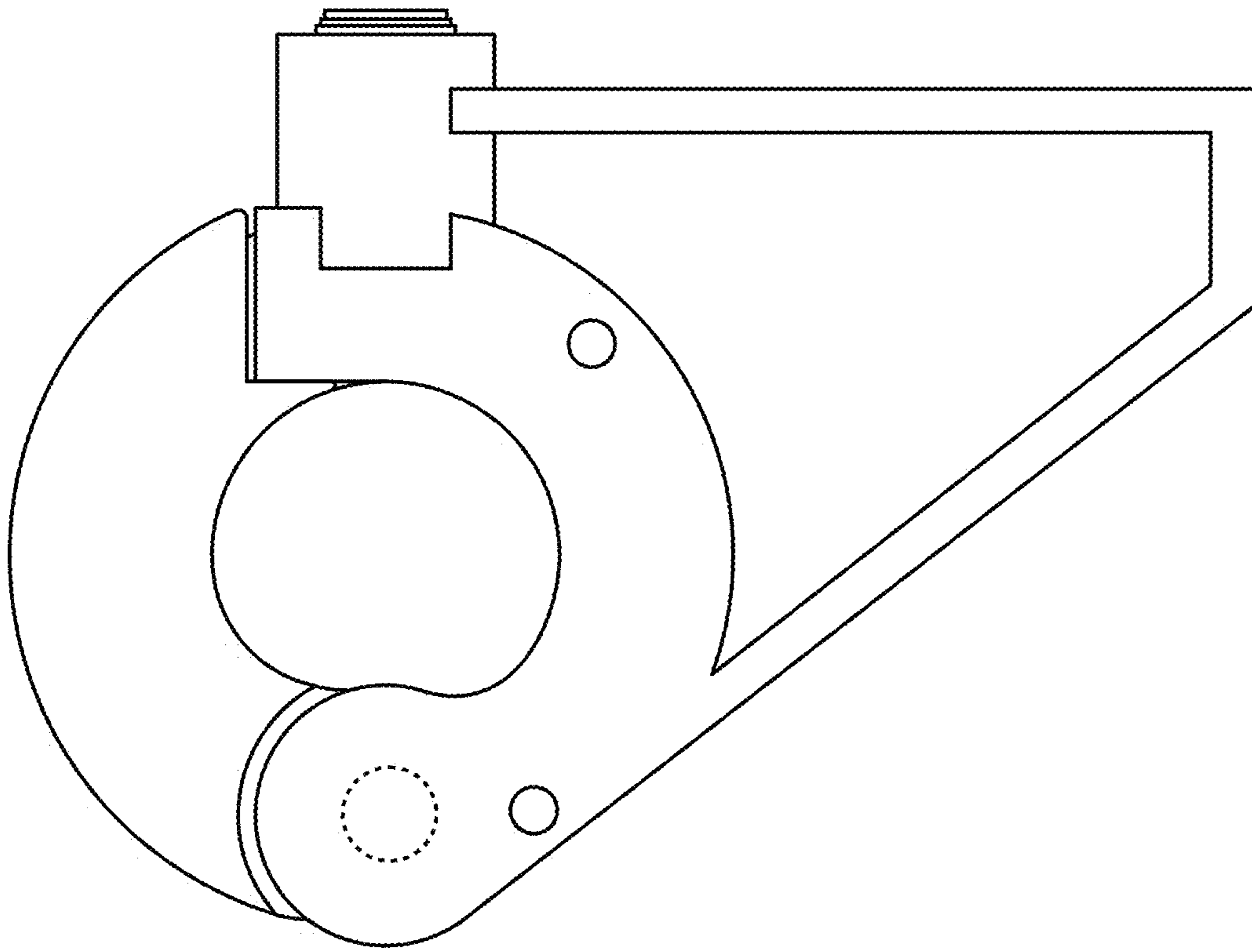


FIG. 1

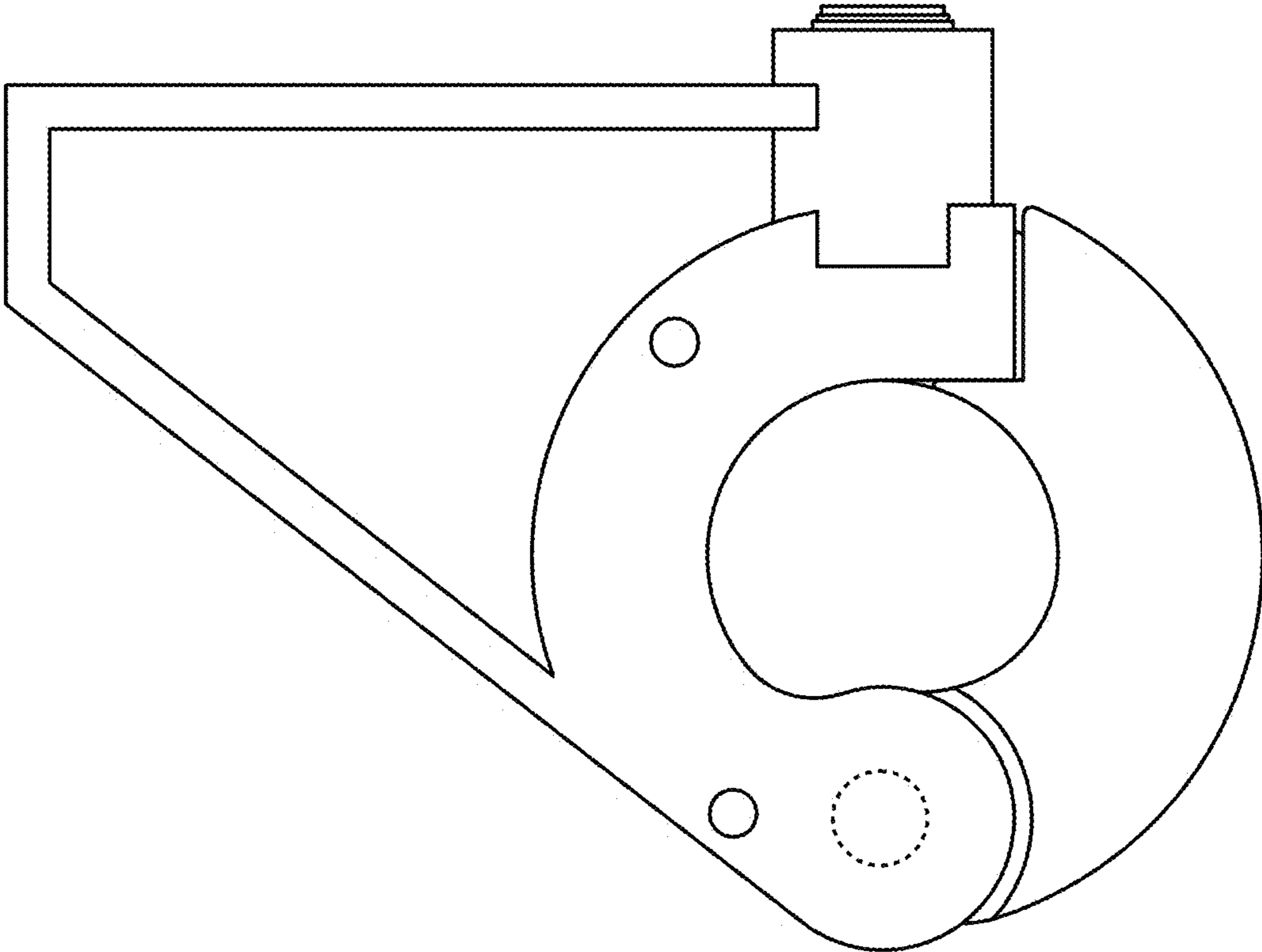


FIG. 2

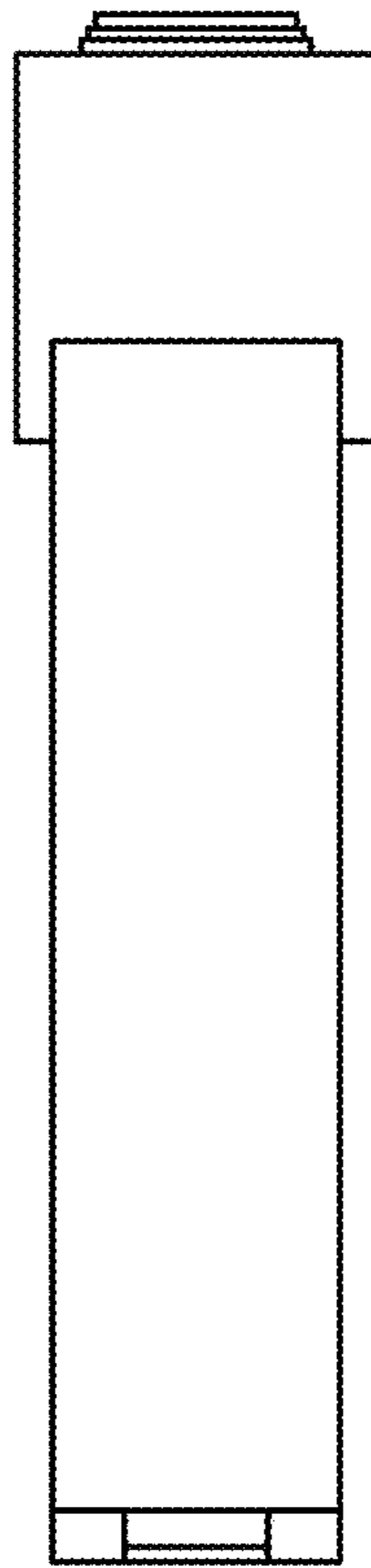


FIG. 3

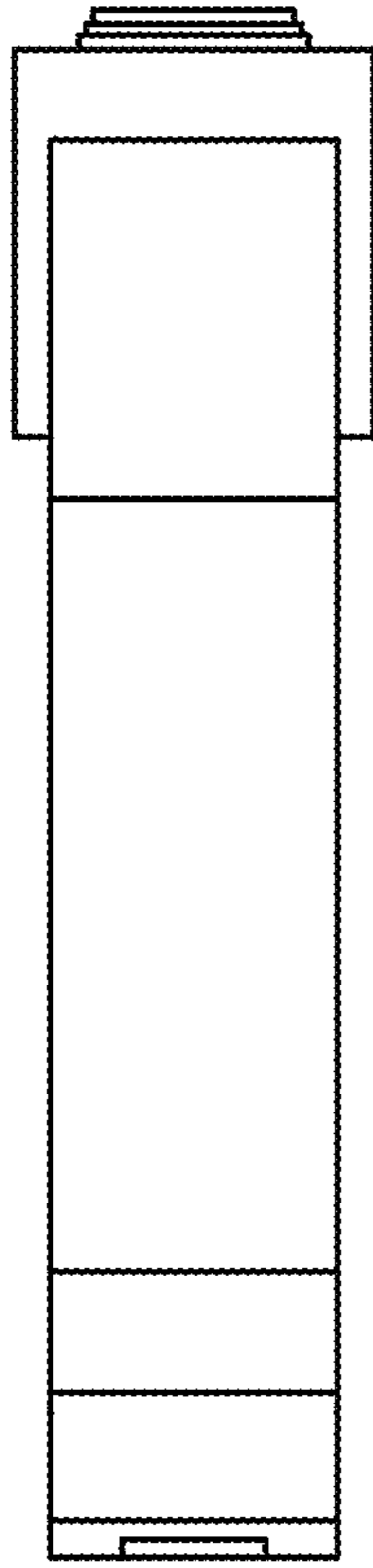


FIG. 4



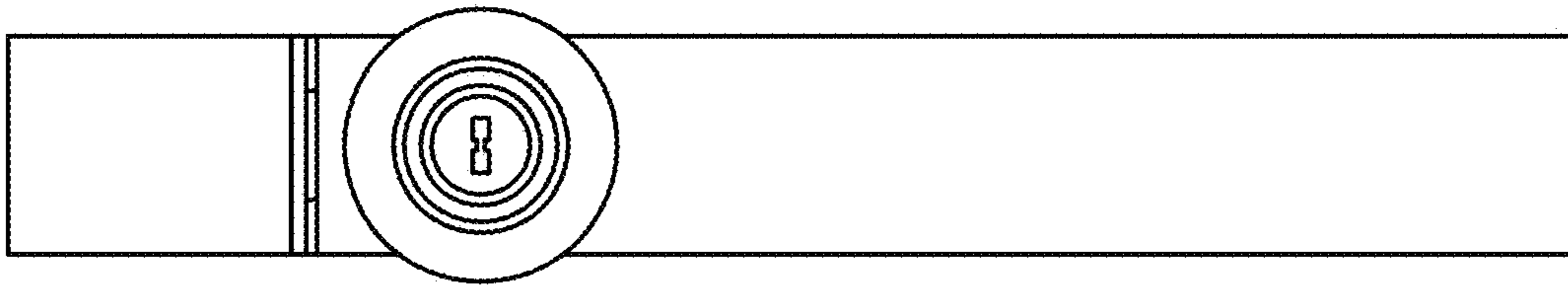


FIG. 5

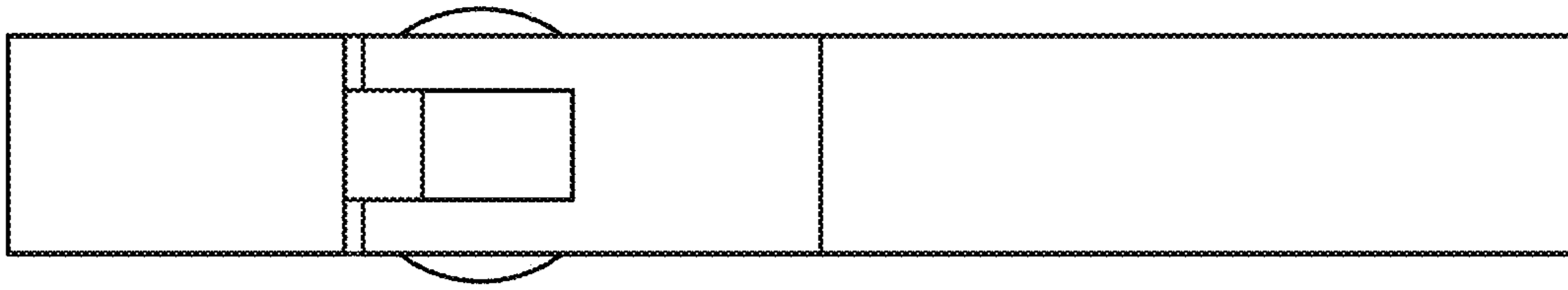


FIG. 6



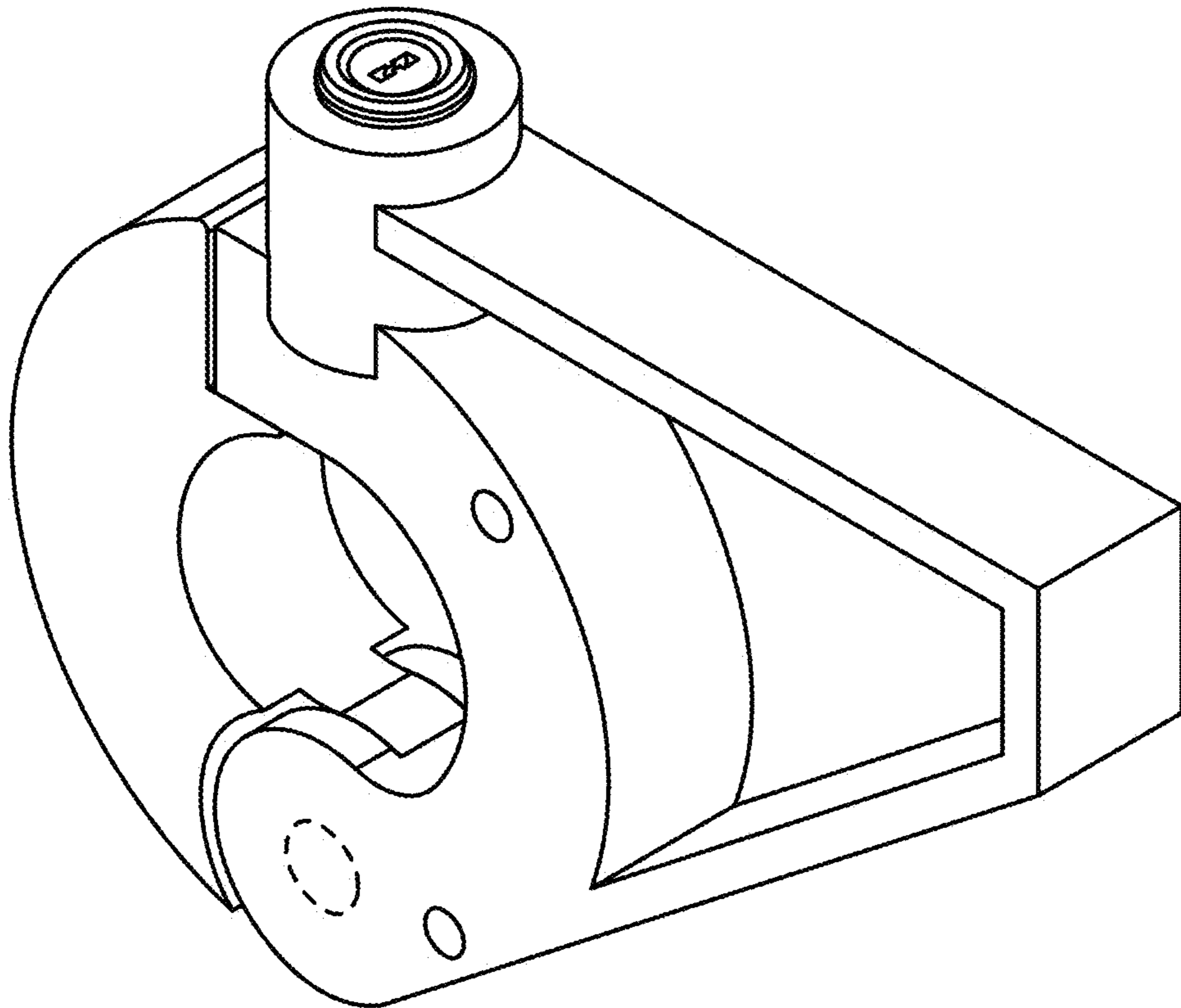


FIG. 7

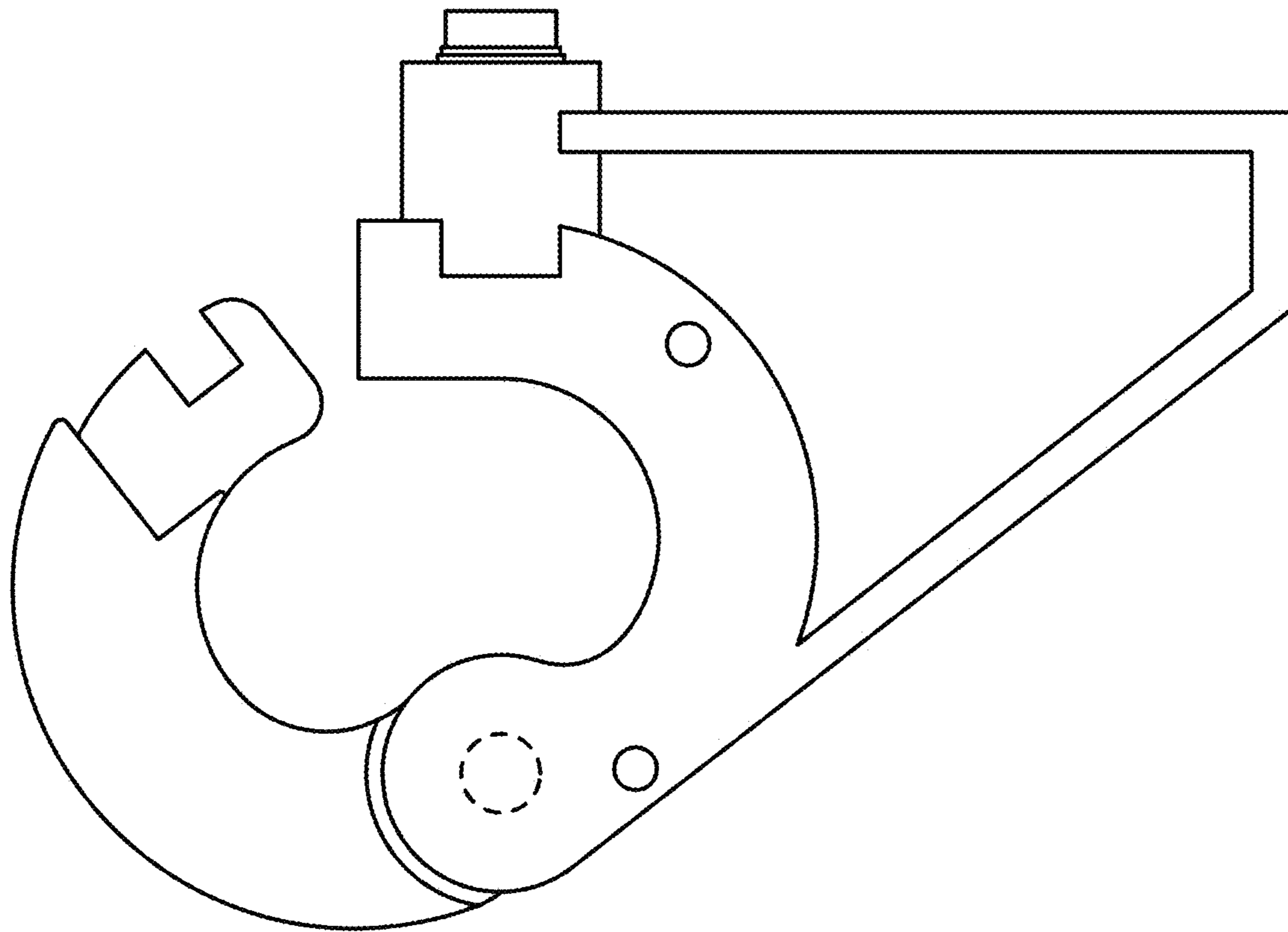


FIG. 8

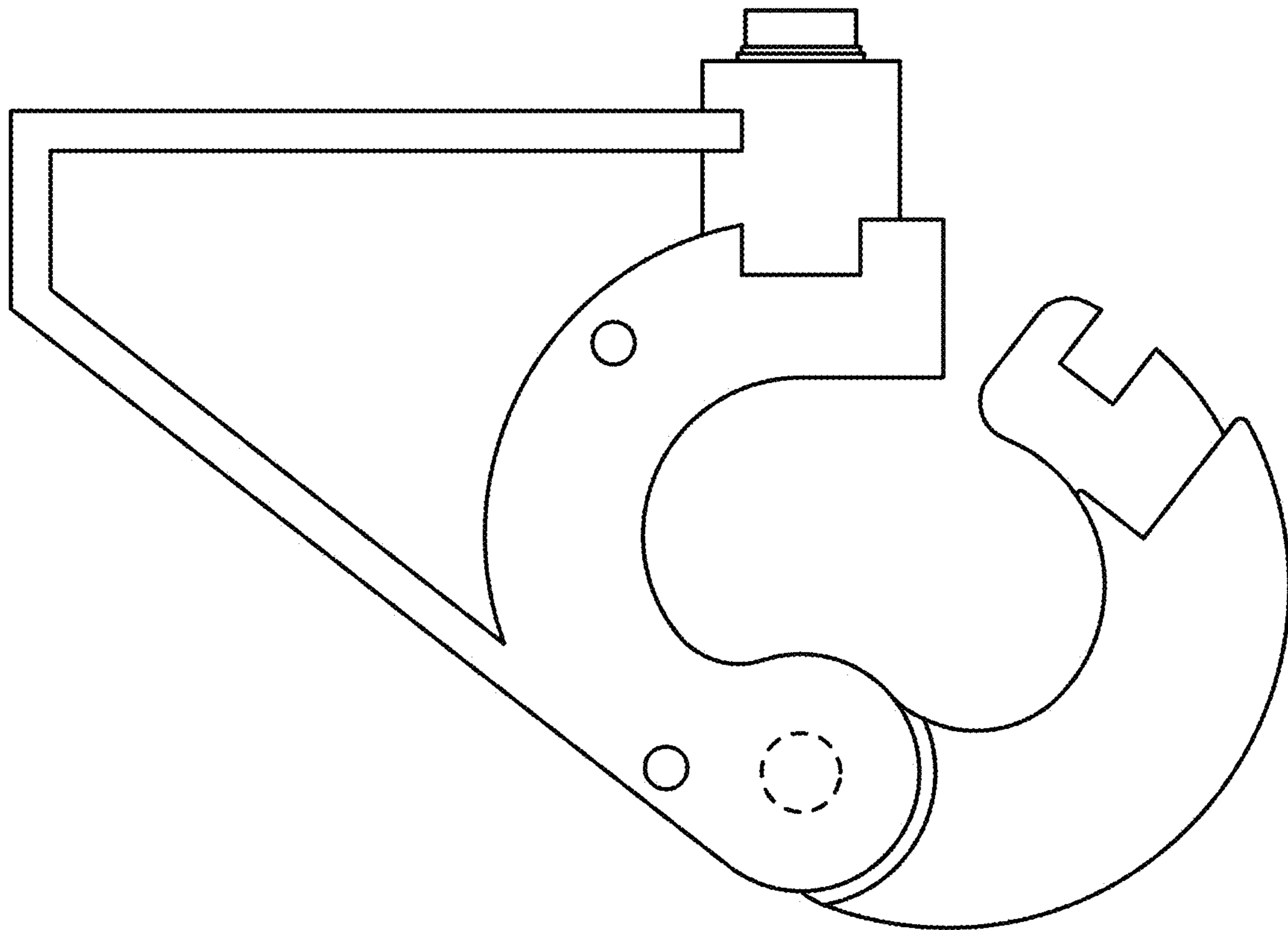


FIG. 9

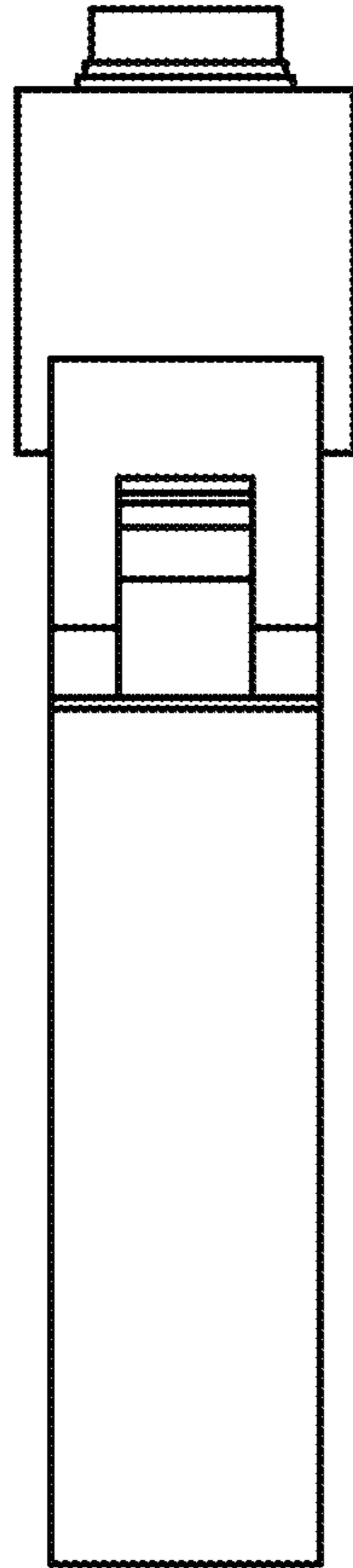


FIG. 10

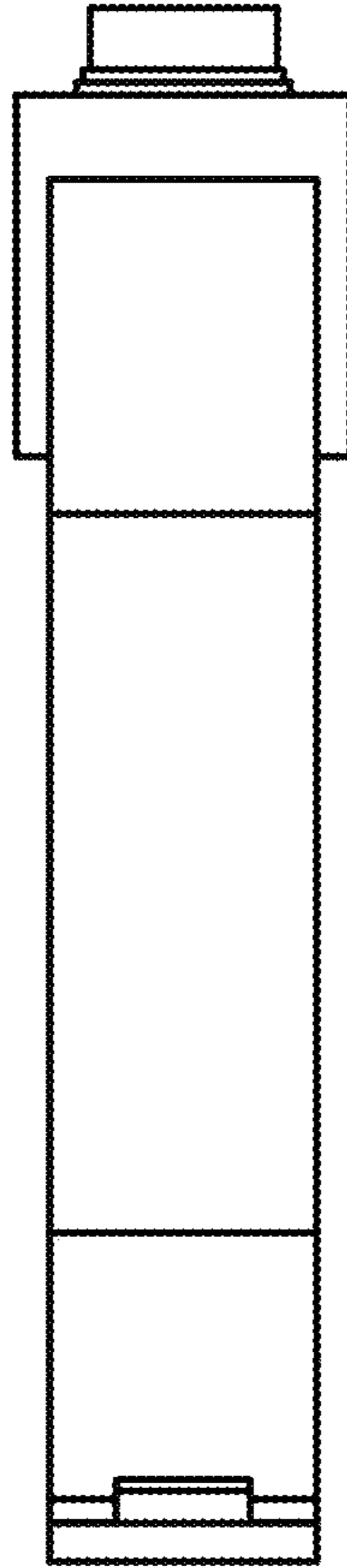


FIG. 11

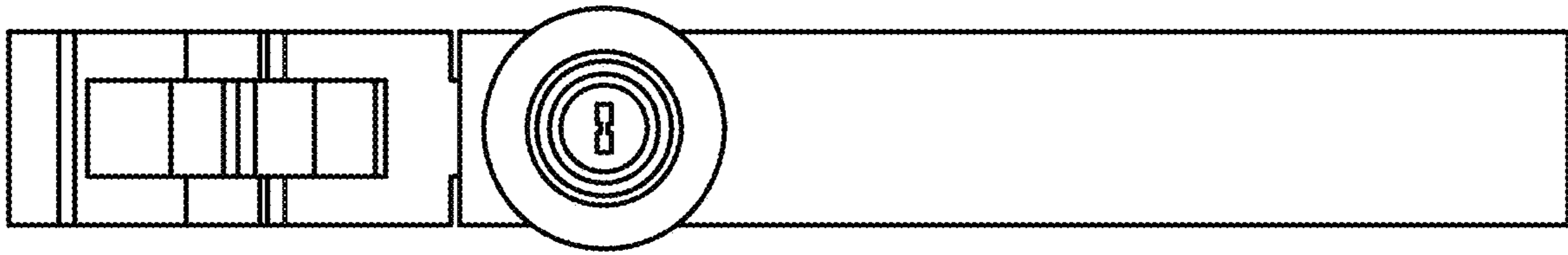


FIG. 12

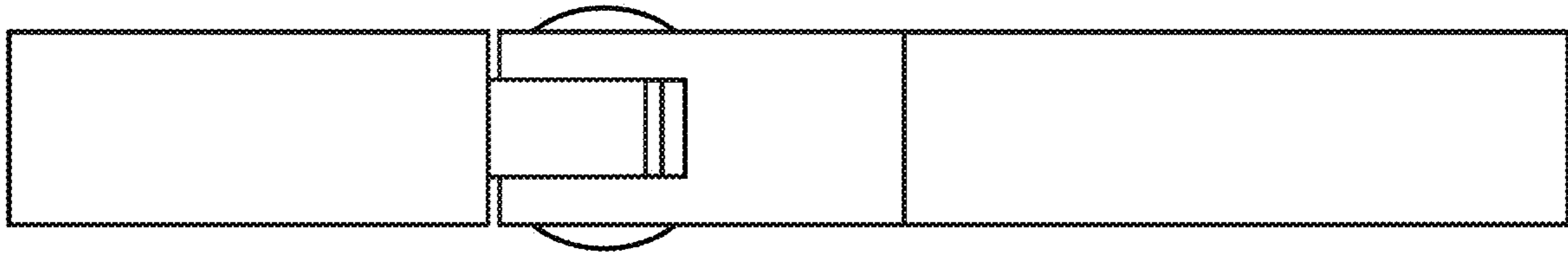


FIG. 13



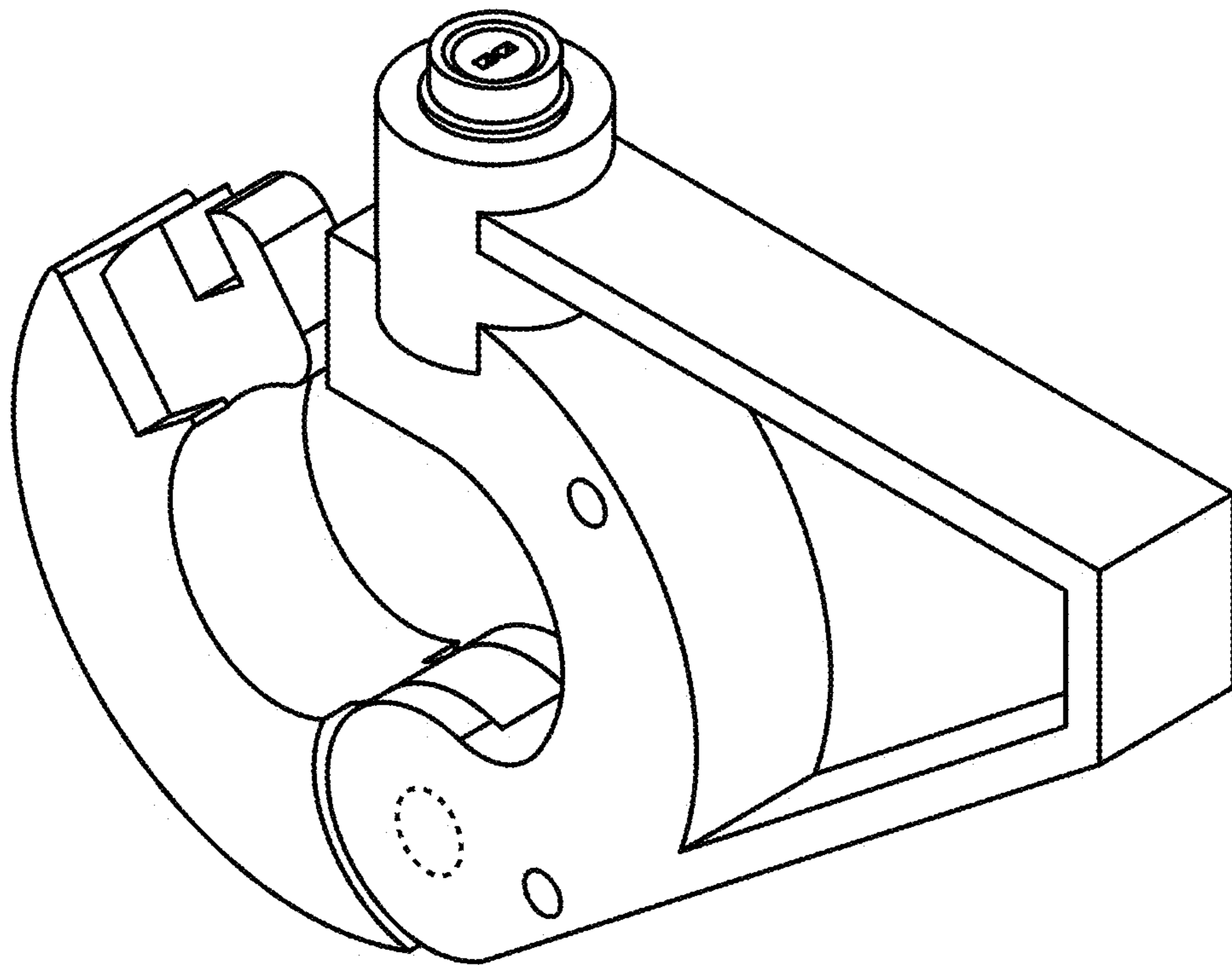


FIG. 14