



US00D928584S

(12) **United States Design Patent**
Marsden

(10) **Patent No.:** **US D928,584 S**
(45) **Date of Patent:** **** Aug. 24, 2021**

- (54) **LATCH**
- (71) Applicant: **Elbee Pty Ltd.**, Bondi Junction (AU)
- (72) Inventor: **Andrew Marsden**, Hingham, MA (US)
- (73) Assignee: **Elbee Pty Ltd.**, Bondi Junction (AU)
- (**) Term: **15 Years**
- (21) Appl. No.: **29/724,100**
- (22) Filed: **Feb. 12, 2020**
- (51) **LOC (13) Cl.** **08-07**
- (52) **U.S. Cl.**
USPC **D8/331**
- (58) **Field of Classification Search**
USPC D8/330, 331, 339
CPC E05B 65/0014; E05B 65/46; E05B 13/00;
Y10S 292/65; Y10S 292/12
See application file for complete search history.

D660,681 S * 5/2012 Giraud D8/331
 D775,509 S 1/2017 Marsden
 D800,534 S 10/2017 Marsden

OTHER PUBLICATIONS

[No Author Listed] Product listing for Dreambaby Safety Catches—2 Pack. Dreambaby. <https://www.dream-baby.com/home-safety/locks-latches/1-safety-catches-2-pack.html>. Product publicly available at least as early as Feb. 11, 2019, 3 pages.

* cited by examiner

Primary Examiner — Doris Clark
(74) *Attorney, Agent, or Firm* — Wolf, Greenfield & Sacks, P.C.

(57) **CLAIM**

The ornamental design for a latch, as shown and described.

(56) **References Cited**

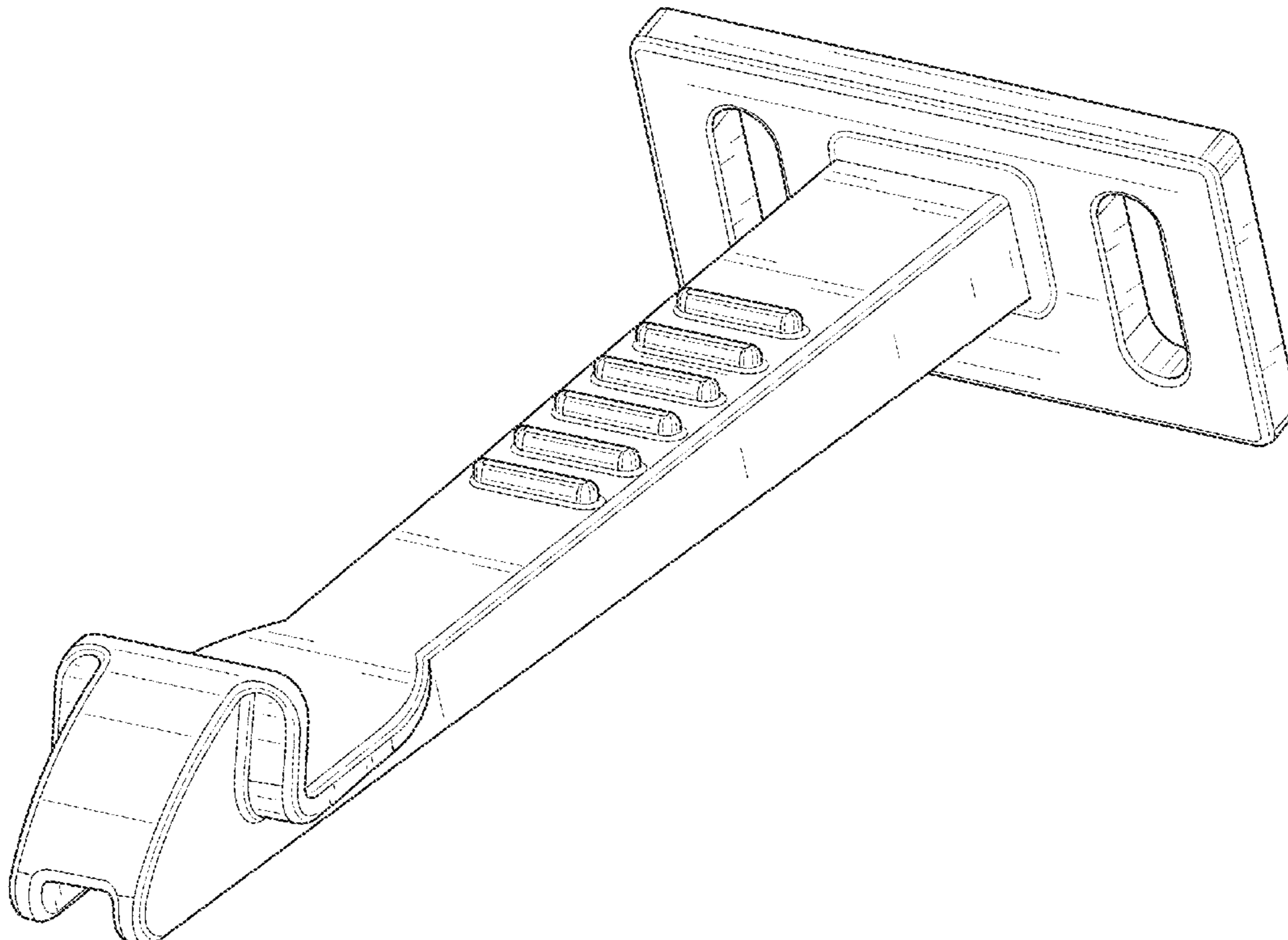
U.S. PATENT DOCUMENTS

- 4,139,249 A * 2/1979 Hillman E05B 65/0014
292/175
- 5,147,099 A * 9/1992 McLinden E05B 17/2019
292/152
- 5,738,394 A * 4/1998 Arabia, Jr. E05B 77/265
292/216
- 5,823,649 A * 10/1998 Hinrichs E05B 65/0014
312/334.45
- 7,344,209 B1 * 3/2008 Miyashiro E05B 65/0014
312/333

DESCRIPTION

FIG. 1 is a top, front, and right side perspective view of a latch according to my new design;
FIG. 2 is a front elevation view thereof;
FIG. 3 is a rear elevation view thereof;
FIG. 4 is a left side elevation view thereof;
FIG. 5 is a right side elevation view thereof;
FIG. 6 is a top plan view thereof; and,
FIG. 7 is bottom plan view thereof.

1 Claim, 7 Drawing Sheets



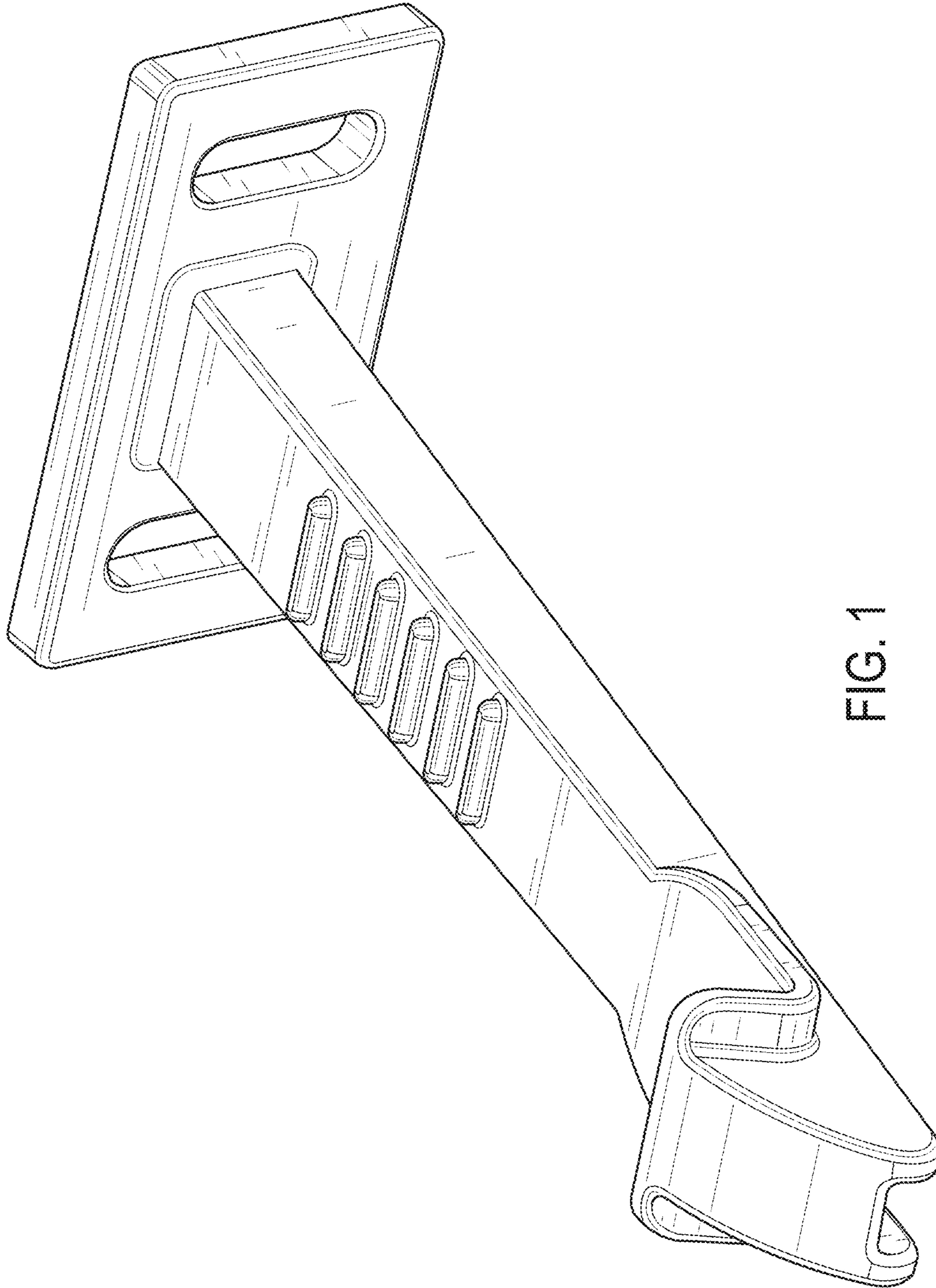


FIG. 1

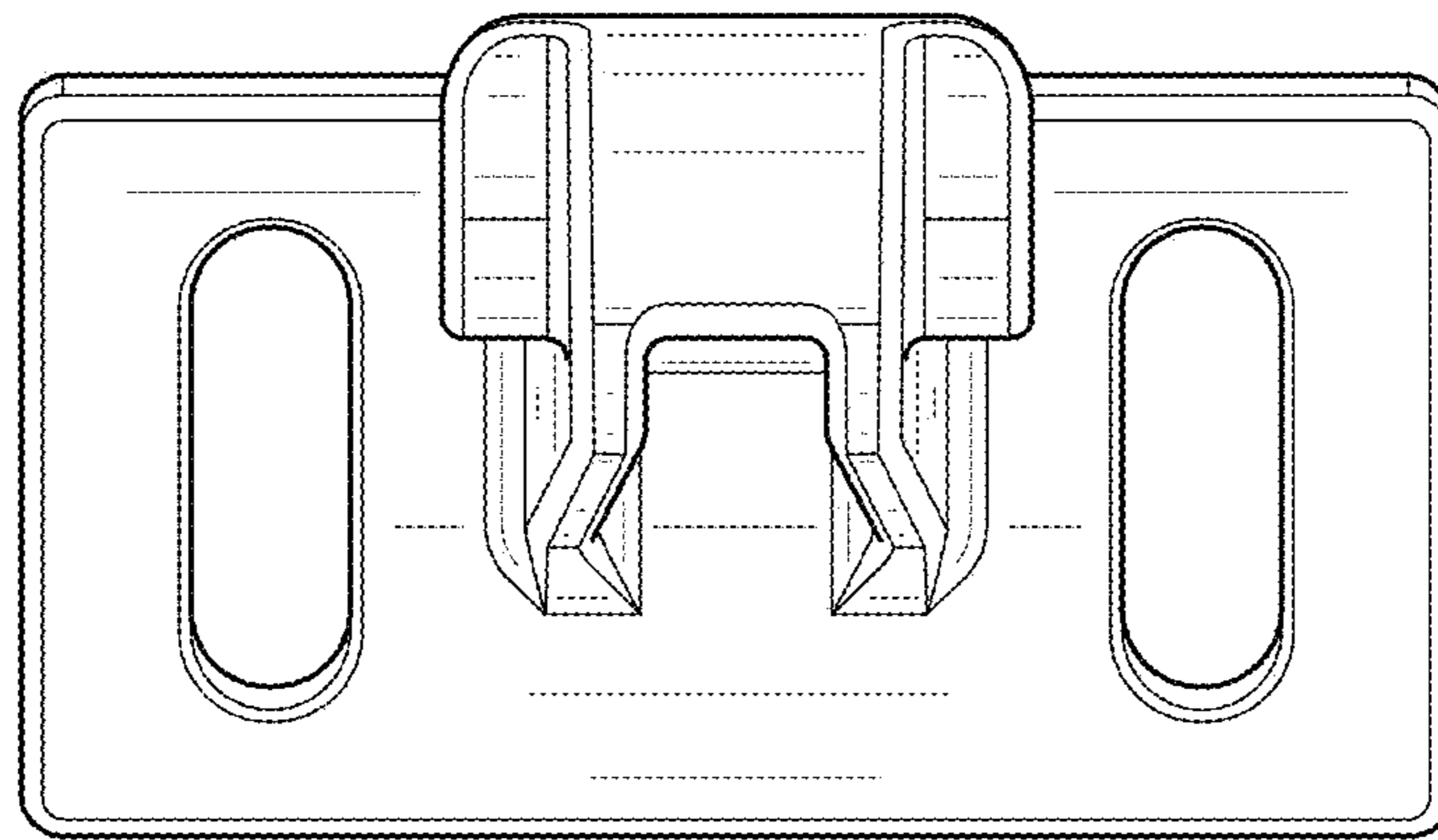


FIG. 2

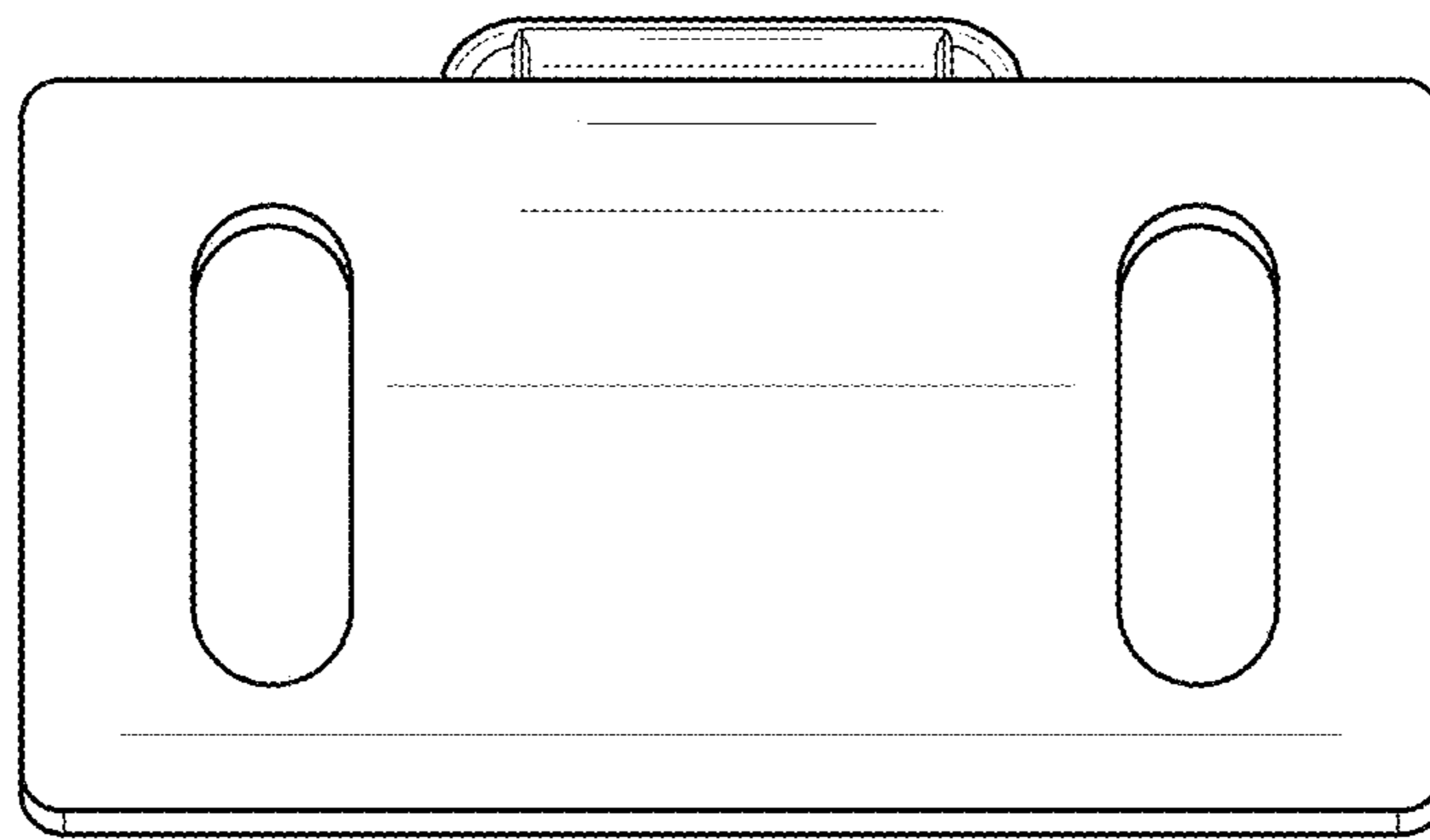


FIG. 3

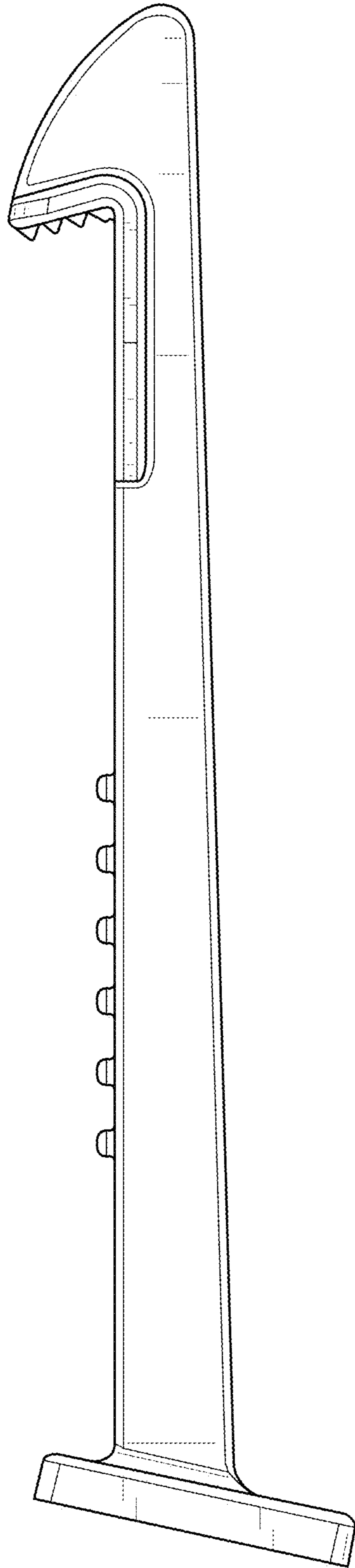


FIG. 4

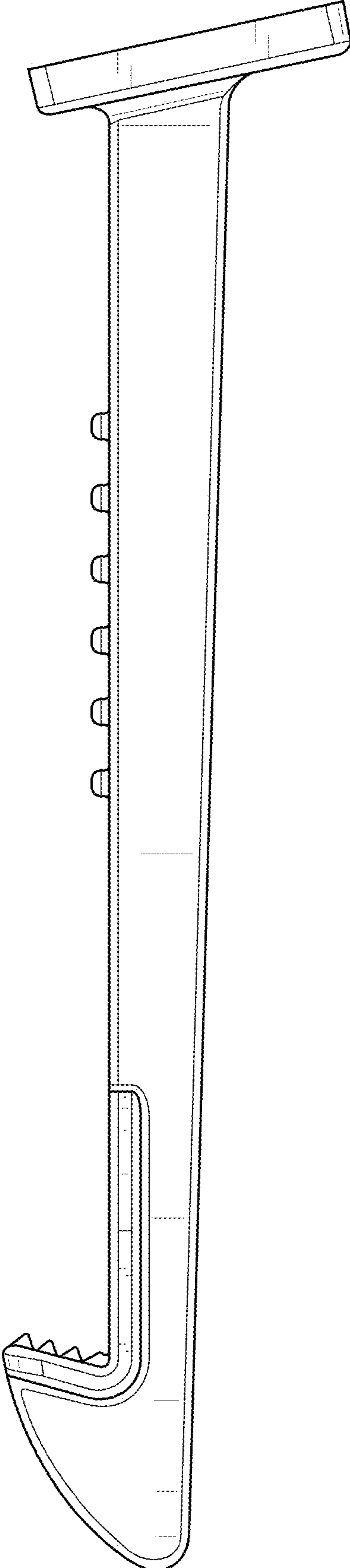


FIG. 5

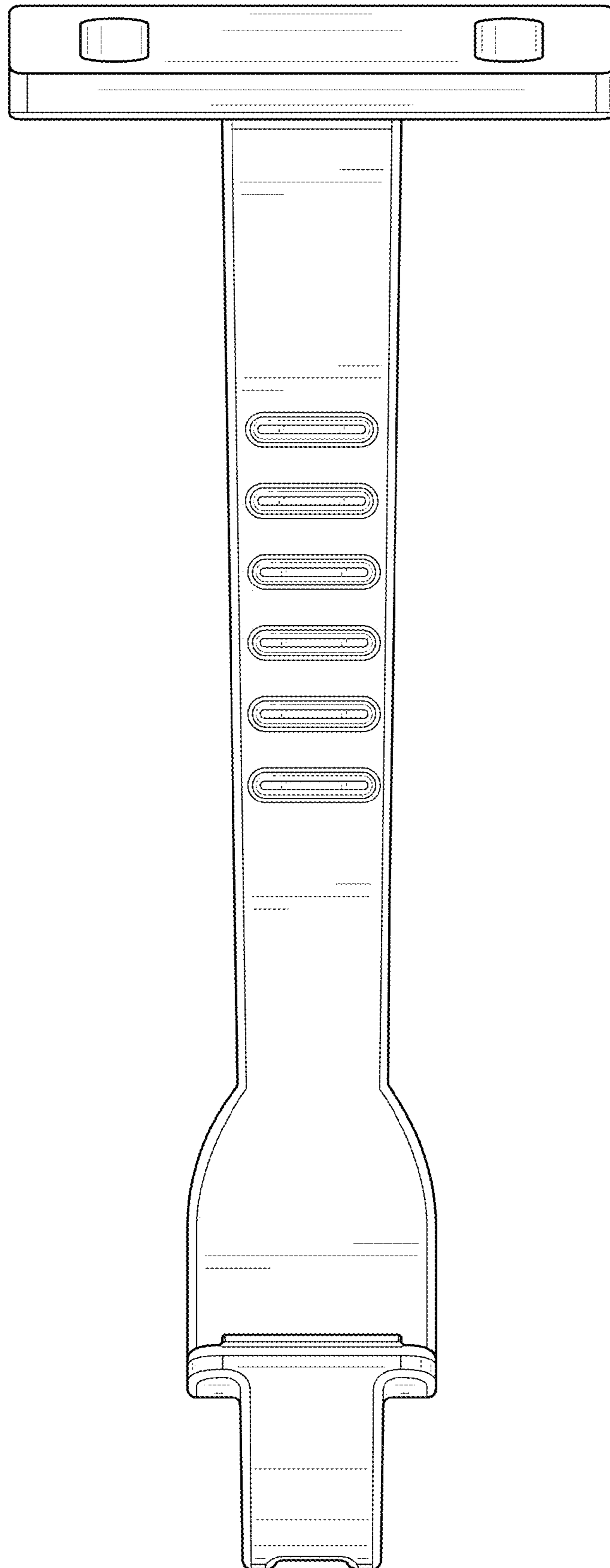


FIG. 6

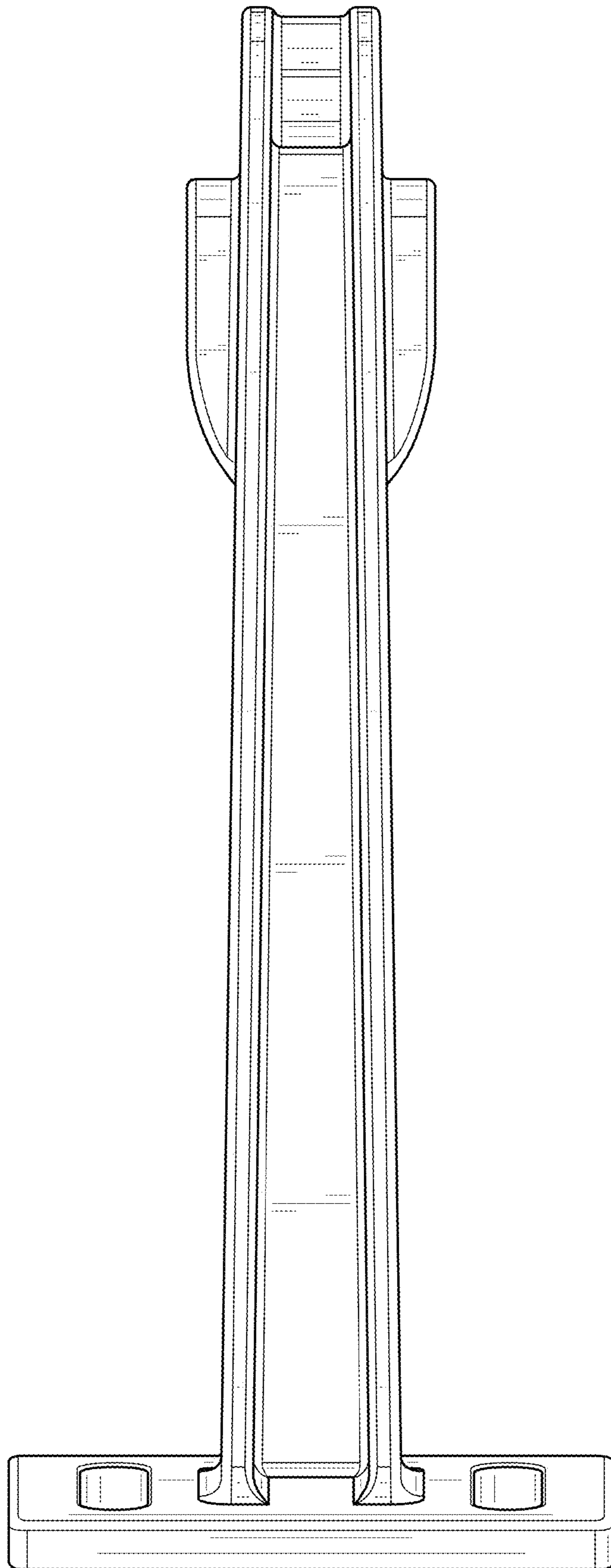


FIG. 7