



US00D928583S

(12) **United States Design Patent** (10) **Patent No.:** **US D928,583 S**
Kuhls (45) **Date of Patent:** **** Aug. 24, 2021**

(54) **LOCKING DEVICE**
(71) Applicant: **TANOS GmbH Verpacken Ordnen**
Präsentieren, Illertissen (DE)

D731,183 S 6/2015 Kuhls
D758,806 S * 6/2016 Morales D7/629
D803,561 S 11/2017 Kuhls
(Continued)

(72) Inventor: **Timo Kuhls, Stuttgart (DE)**

FOREIGN PATENT DOCUMENTS

(73) Assignee: **Tanos GmbH Verpacken Ordnen**
Präsentieren, Illertissen (DE)

EP 28057799 * 11/2014 B25H 3/02
WO DM/072 788 12/2009
(Continued)

(**) Term: **15 Years**

OTHER PUBLICATIONS

(21) Appl. No.: **29/683,294**

Festool 499622 Systainer Mini T-LOC, Date first available Apr. 16, 2014, [online]retrieved Oct. 28, 2020, available from internet, https://www.amazon.ca/Festool-499622-Systainer-Mini-T-LOC/dp/B00C27E3JI/ref=sr_1_1?crd=3MQCLLEPKM5FL&dchild=1&keywords=499622+systainer+mini+t (Year: 2014).*

(22) Filed: **Mar. 12, 2019**

(30) **Foreign Application Priority Data**

Sep. 14, 2018 (WO) 8913701

(51) **LOC (13) Cl.** **08-07**

(52) **U.S. Cl.**
USPC **D8/330; D3/273**

(58) **Field of Classification Search**
USPC D8/330-334, 336-350; 292/341, 341.1, 292/340, 344, 343, 18
CPC G07C 9/00571; G07C 9/00674; G07C 9/00309; H05K 1/144; E05B 3/00; E05B 15/00; E05B 9/00; E05B 63/04; E05B 15/101; E05B 1/003; E05B 65/0811; E05B 17/18; E05B 83/00; Y10T 292/68; Y10T 292/0803; Y10T 292/0848; Y10T 70/5199; Y10T 292/53; Y10T 16/458; H04N 7/186; H04N 7/147; H04N 5/232411

See application file for complete search history.

(56) **References Cited**

U.S. PATENT DOCUMENTS

D579,314 S * 10/2008 Tozer D8/331
D627,967 S 11/2010 Kuhls
D636,993 S * 5/2011 Okuda D3/276
D645,248 S * 9/2011 Osiecki D3/276

Primary Examiner — Keli L Hill
Assistant Examiner — Sara S Sahneh
(74) *Attorney, Agent, or Firm* — Hoffmann and Baron, LLP

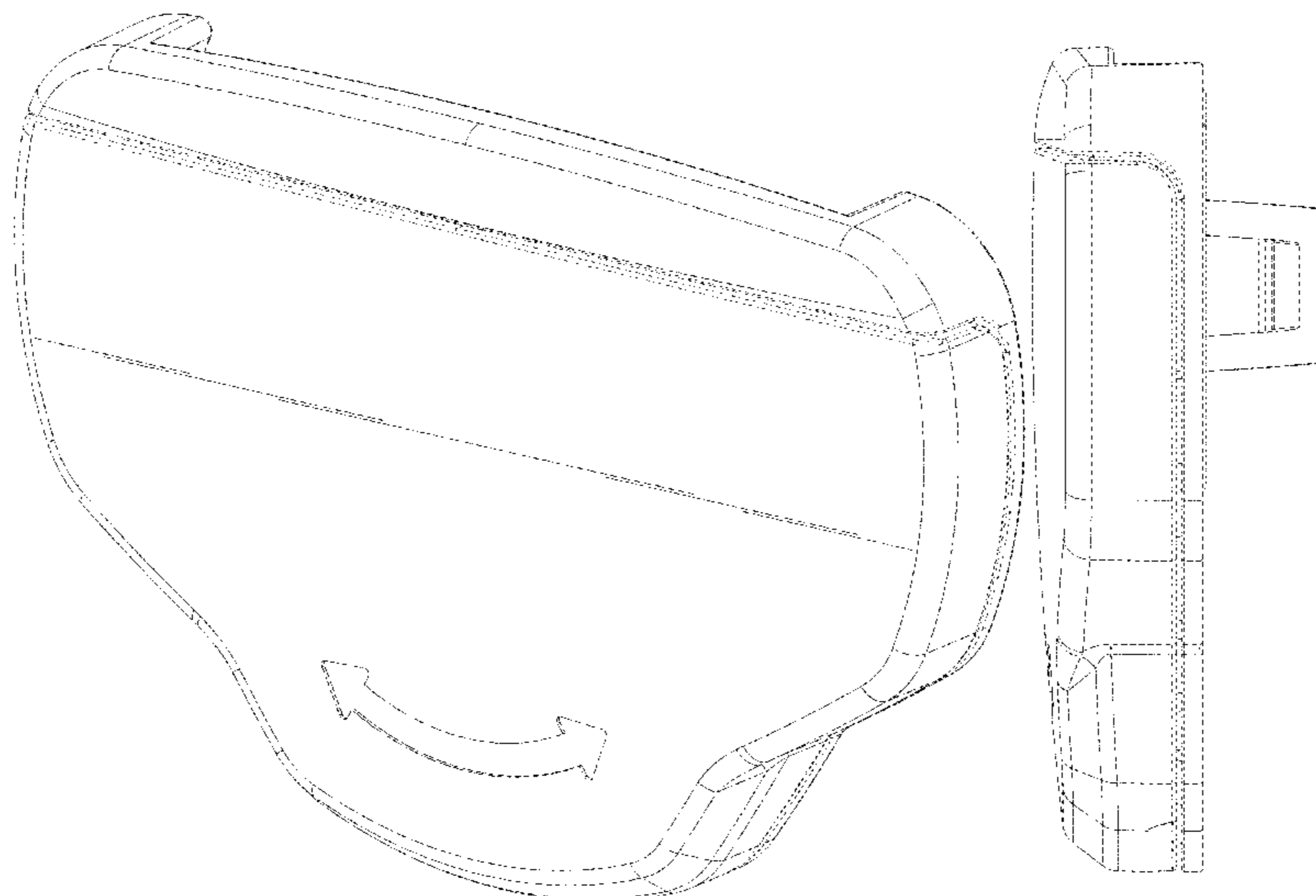
(57) **CLAIM**

The ornamental design for a locking device, as shown and described.

DESCRIPTION

FIG. 1 is a top perspective view of a locking device showing my new design;
FIG. 2 is a front view thereof;
FIG. 3 is a back view thereof;
FIG. 4 is a left side view thereof;
FIG. 5 is a right side view thereof;
FIG. 6 is a top plan view thereof; and,
FIG. 7 is a bottom plan view thereof.
The broken lines are included for the purpose of illustrating portions that form no part of the claimed design.

1 Claim, 7 Drawing Sheets



(56)

References Cited

U.S. PATENT DOCUMENTS

D899,087 S * 10/2020 Kuhls D3/294
2003/0000863 A1* 1/2003 Lee B25H 3/02
206/459.5
2010/0320108 A1* 12/2010 Riedel B25H 3/02
206/372
2013/0127183 A1* 5/2013 Chang B25H 3/02
292/202
2015/0060316 A1* 3/2015 Lee E05D 1/02
206/349
2019/0315515 A1* 10/2019 Gonitiner B65D 21/0217
2020/0047265 A1* 2/2020 Ender B25H 3/02

FOREIGN PATENT DOCUMENTS

WO DM/087 078 7/2015
WO 2020/052777 * 3/2020

OTHER PUBLICATIONS

Tanos Instagram, systainer_tanos_official's profile picture, Date first available Mar. 29, 2019, [online]retrieved Oct. 29, 2020, available from internet, <https://www.instagram.com/p/BvmDE1zAZUQ/> (Year: 2019).*

Tanos Instagram, systainer_tanos_official's profile picture, Date first available Apr. 27, 2018 [online]retrieved Oct. 29, 2020, <https://www.instagram.com/p/BiEVfvqgVHZ/> (Year: 2018).*

* cited by examiner

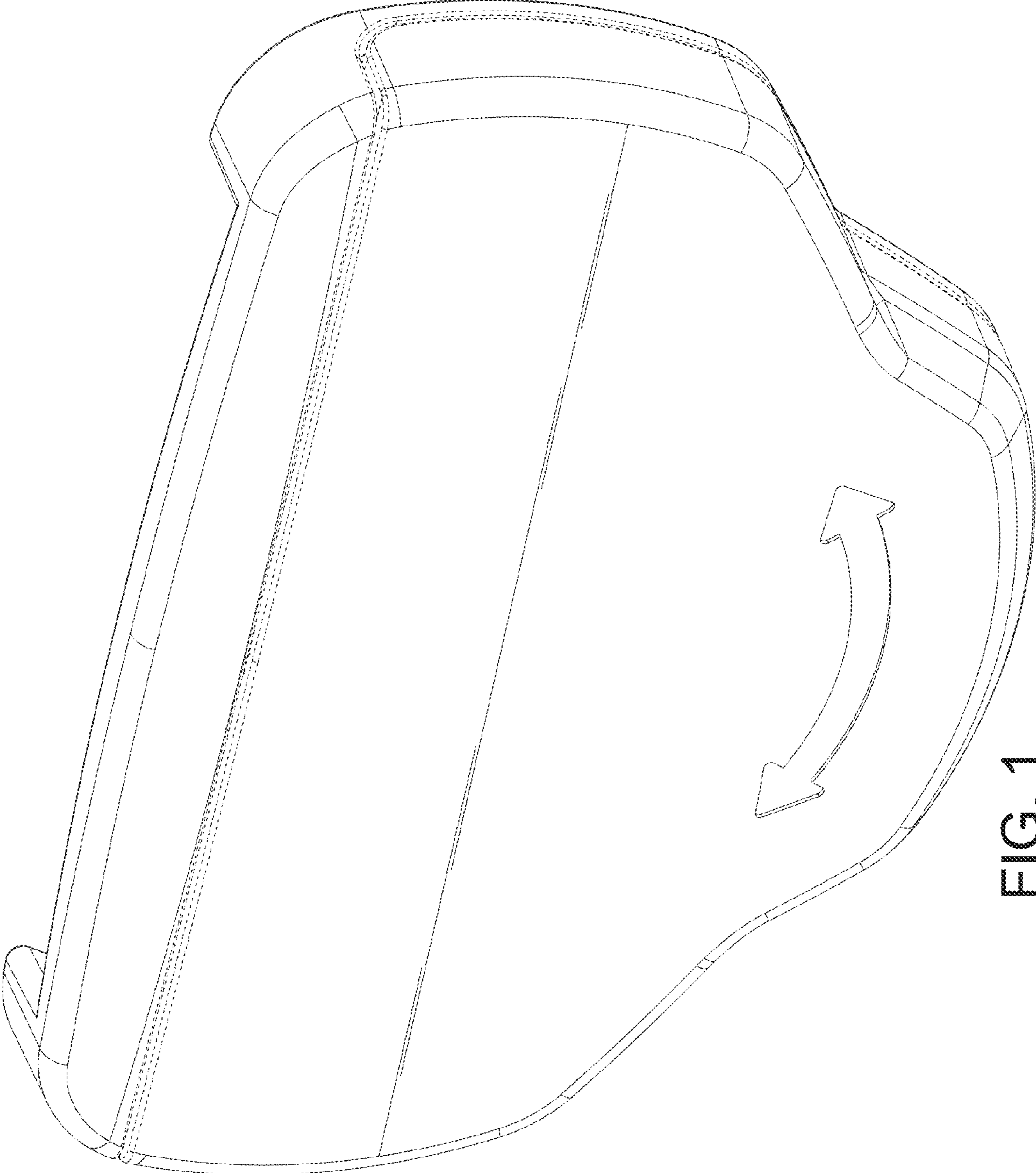


FIG. 1

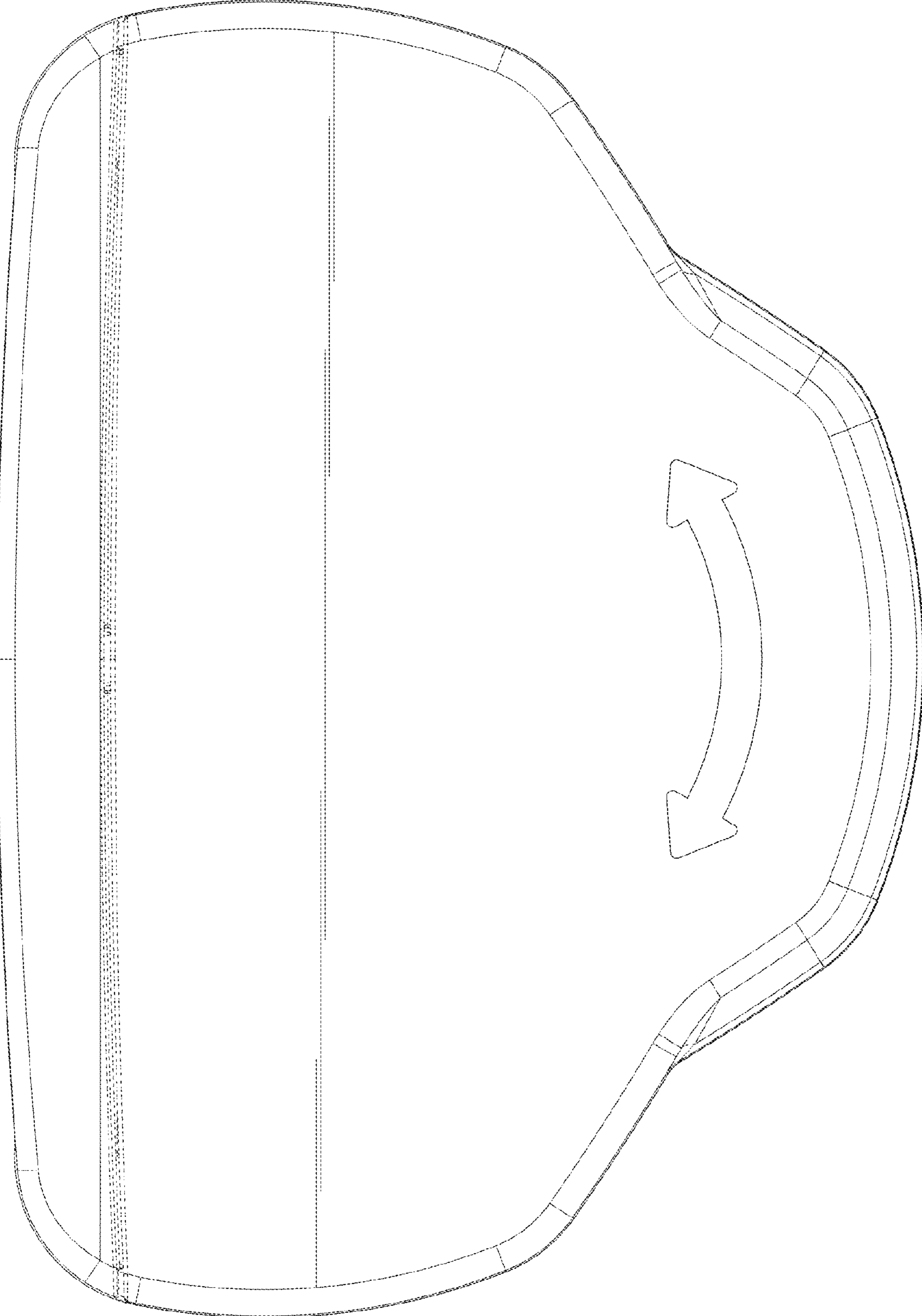


FIG. 2

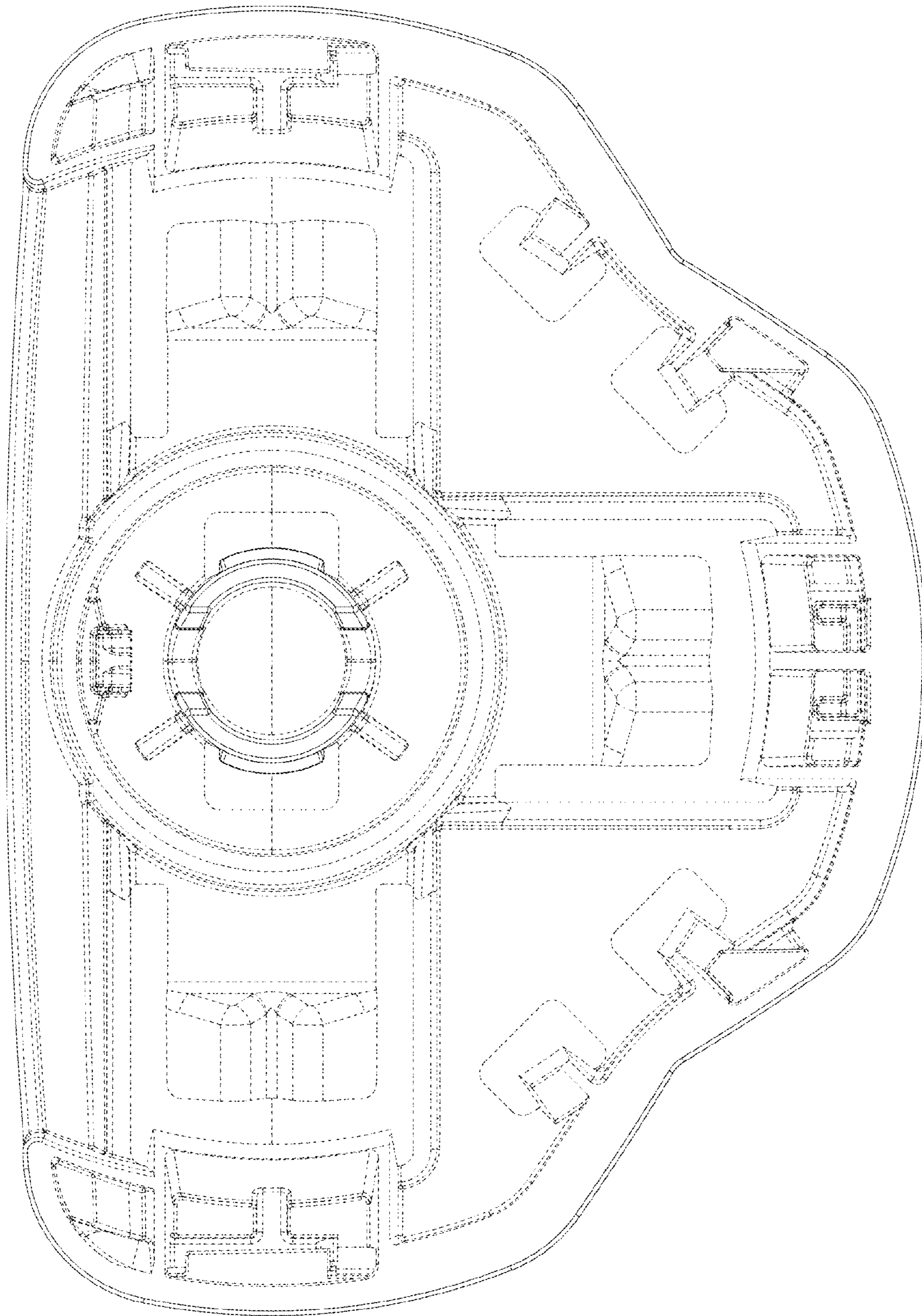


FIG. 3

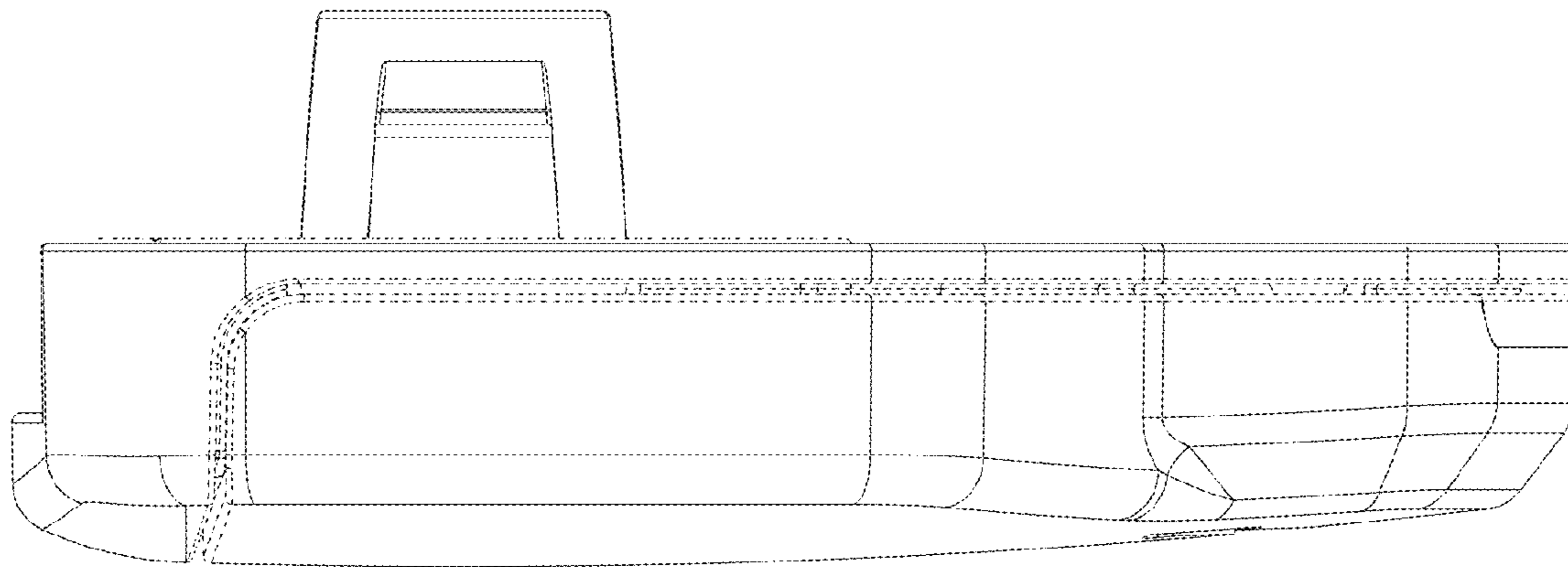


FIG. 4

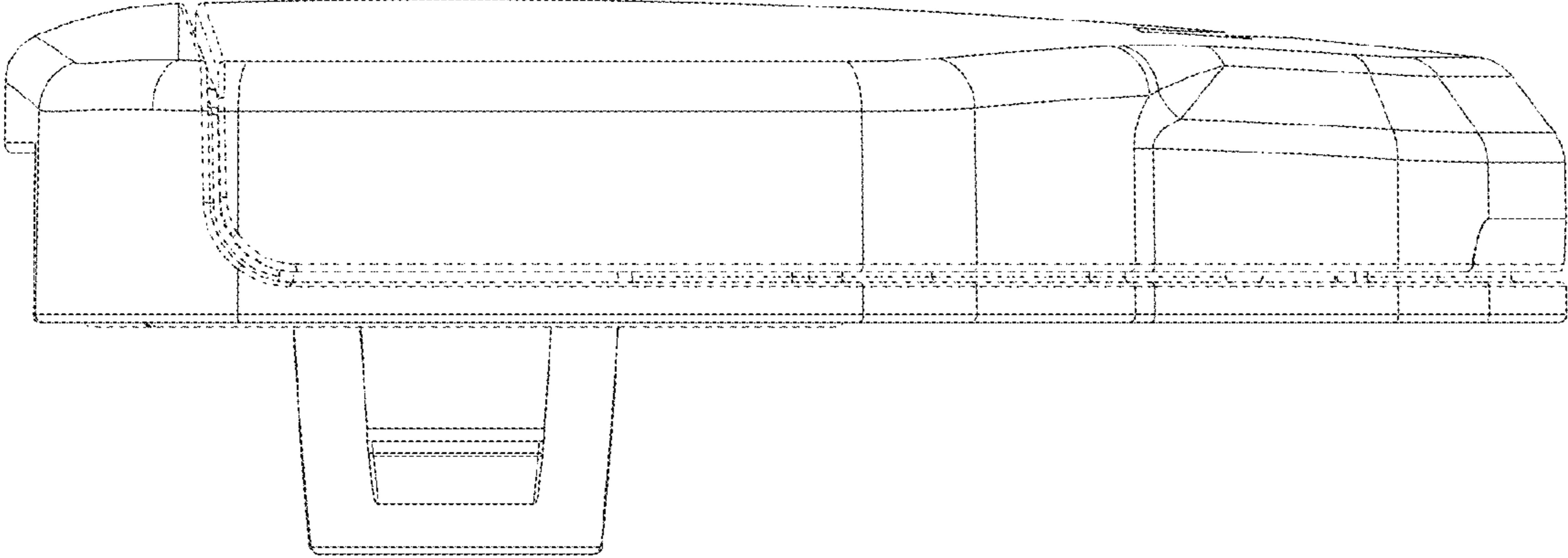


FIG. 5

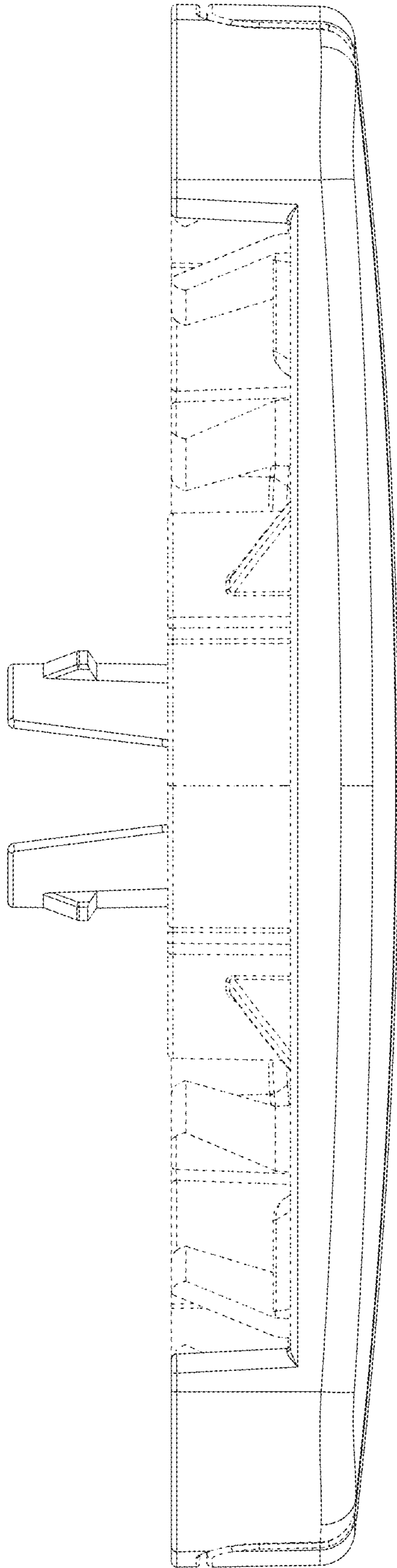


FIG. 6

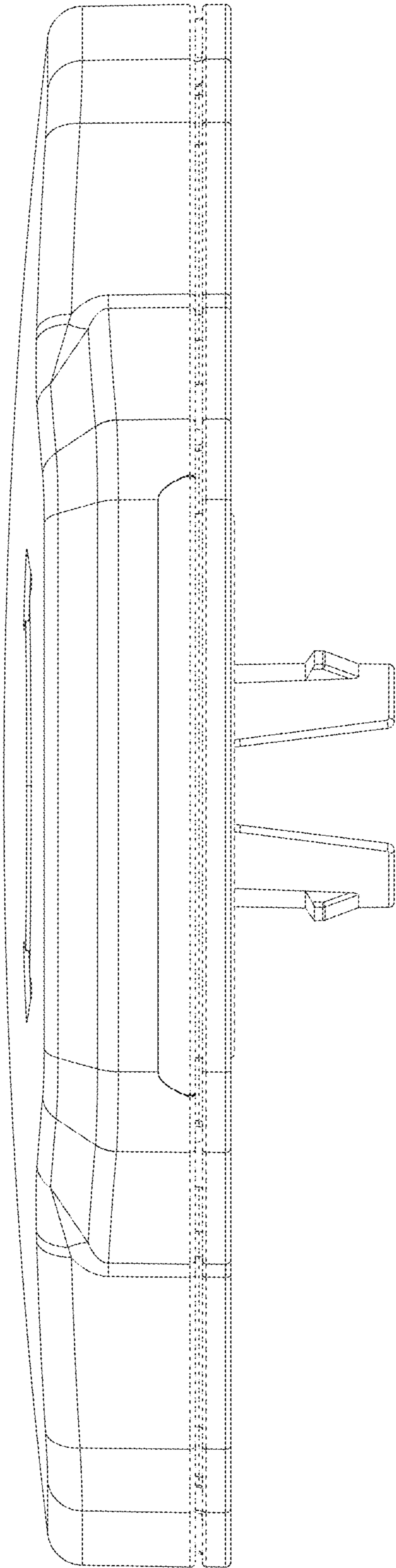


FIG. 7