



US00D928582S

(12) **United States Design Patent** (10) **Patent No.:** **US D928,582 S**
Yao (45) **Date of Patent:** **** Aug. 24, 2021**

(54) **ROLLER CUTTER**

(71) Applicant: **Fourstar Group Inc.**, Taipei (TW)

(72) Inventor: **Rong Yao**, Zhejiang (CN)

(73) Assignee: **Fourstar Group Inc.**, Taipei (TW)

(**) Term: **15 Years**

(21) Appl. No.: **29/735,164**

(22) Filed: **May 19, 2020**

(51) **LOC (13) Cl.** **08-03**

(52) **U.S. Cl.**
 USPC **D8/98**

(58) **Field of Classification Search**
 USPC D8/51, 98; D7/694
 CPC B26B 25/00; B26B 25/005; B26B 21/185
 See application file for complete search history.

(56) **References Cited**

U.S. PATENT DOCUMENTS

4,301,594 A * 11/1981 Okada B26B 25/005
 30/164.95

4,601,103 A * 7/1986 Sugiyama B26B 25/005
 30/162

D288,522 S * 3/1987 Salem D8/98

D298,409 S * 11/1988 Sugiyama D8/98

D341,764 S * 11/1993 Birkholz D8/98

5,299,355 A * 4/1994 Boda B26B 5/003
 30/162

5,493,781 A * 2/1996 Saito B26B 25/005
 30/162

6,094,824 A * 8/2000 Takeshita B26B 25/005
 30/276

D445,660 S * 7/2001 Okada D8/98

7,073,263 B2 * 7/2006 Kawasaki B26B 29/00
 30/292

D536,231 S * 2/2007 Kawasaki D8/98

7,290,340 B2 * 11/2007 Lin B26B 25/005
 30/292

D557,583 S * 12/2007 Lewis D8/95
 7,434,319 B2 * 10/2008 Tsai-Lian B26B 25/005
 30/164.95

7,444,749 B1 * 11/2008 Chen B26B 29/02
 30/292

(Continued)

Primary Examiner — Philip S Hyder
 (74) *Attorney, Agent, or Firm* — Salter & Michaelson

(57) **CLAIM**

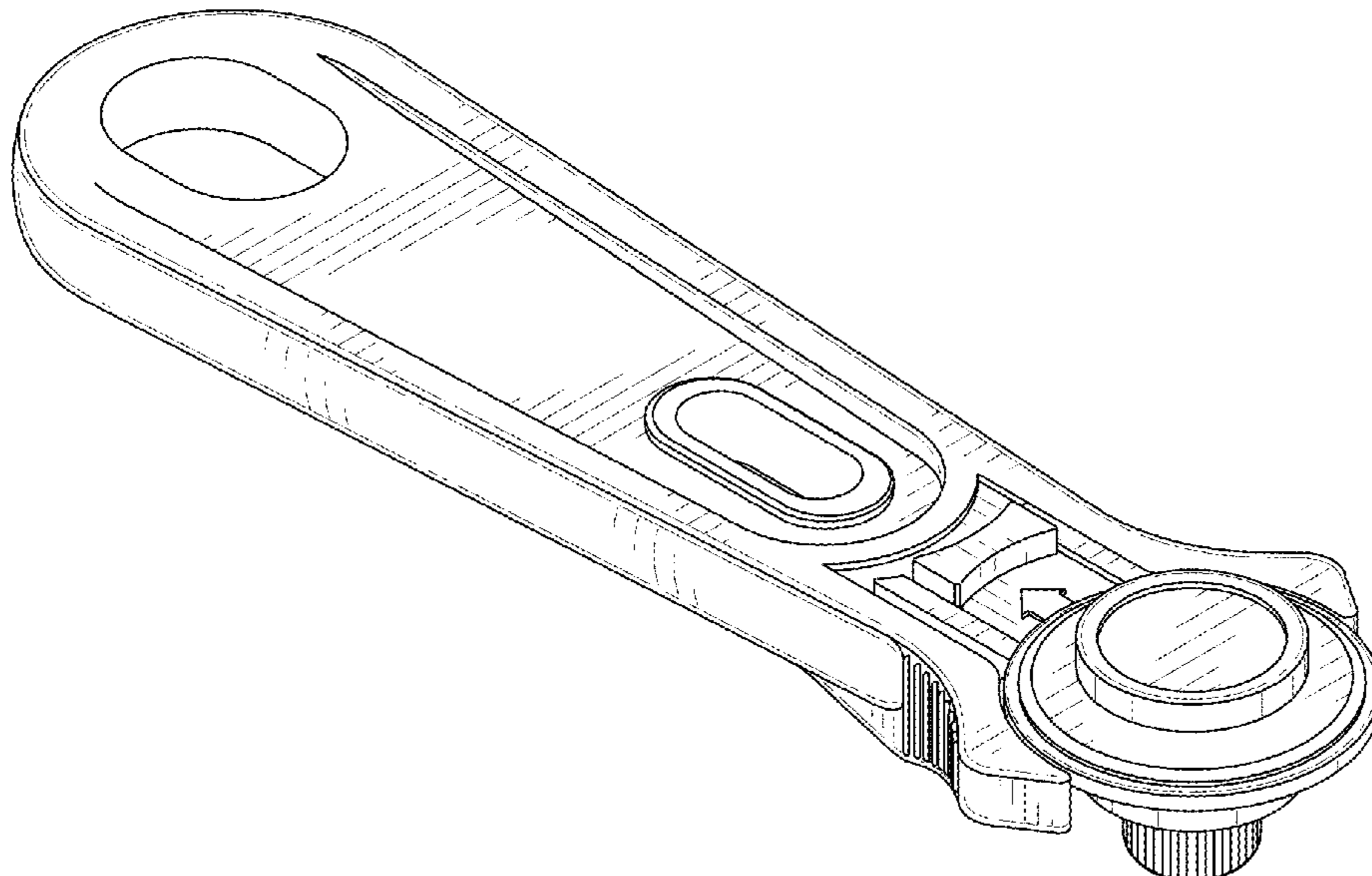
The ornamental design for a roller cutter, as shown and described.

DESCRIPTION

FIG. 1 is a perspective view of a roller cutter, showing the new design;
 FIG. 2 is a top plan view thereof;
 FIG. 3 is a bottom plan view thereof;
 FIG. 4 is a right side elevational view thereof;
 FIG. 5 is a left side elevational view thereof;
 FIG. 6 is a front elevation view thereof;
 FIG. 7 is a rear elevation view thereof;
 FIG. 8 is a perspective view of a second embodiment of the roller cutter;
 FIG. 9 is a top plan view of a second embodiment thereof;
 FIG. 10 is a bottom plan view of a second embodiment thereof;
 FIG. 11 is a right side elevational view of a second embodiment thereof;
 FIG. 12 is a left side elevational view of a second embodiment thereof;
 FIG. 13 is a front elevation view of a second embodiment thereof; and,
 FIG. 14 is a rear elevation view of a second embodiment thereof.

The broken lines depict portions of the roller cutter in which the design is embodied that are not considered part of the claimed design.

1 Claim, 10 Drawing Sheets



(56)

References Cited

U.S. PATENT DOCUMENTS

D582,239 S * 12/2008 Eby D8/98
D691,868 S * 10/2013 Watanabe D8/98
8,590,163 B1 * 11/2013 Bagley B26B 11/008
30/123
2005/0086811 A1 * 4/2005 Kawasaki B26B 29/00
30/162
2007/0028461 A1 * 2/2007 Lin B26B 25/005
30/293
2008/0201960 A1 * 8/2008 Watanabe B26D 7/22
30/151
2019/0061189 A1 * 2/2019 Chang B26B 25/005

* cited by examiner

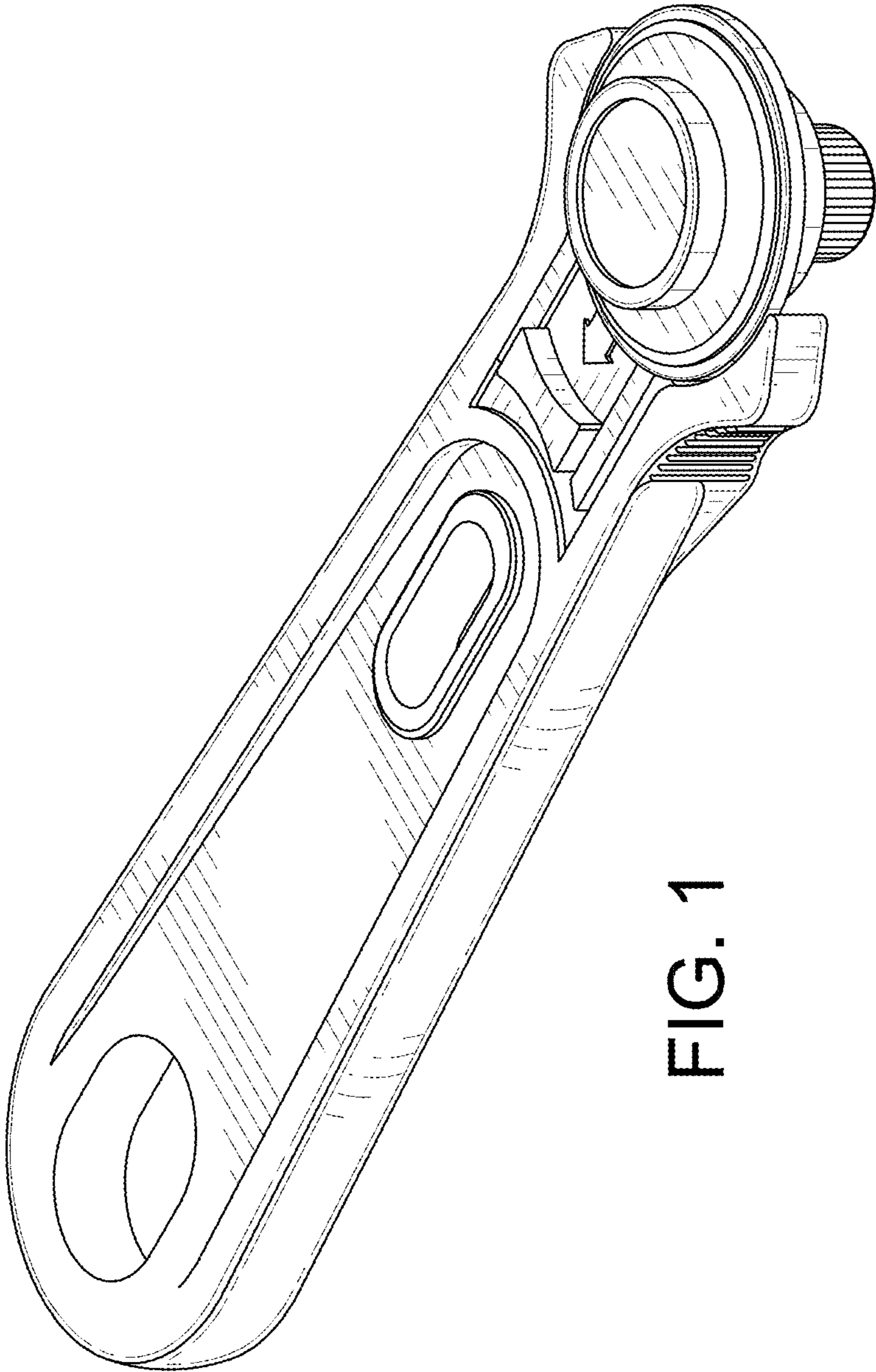


FIG. 1

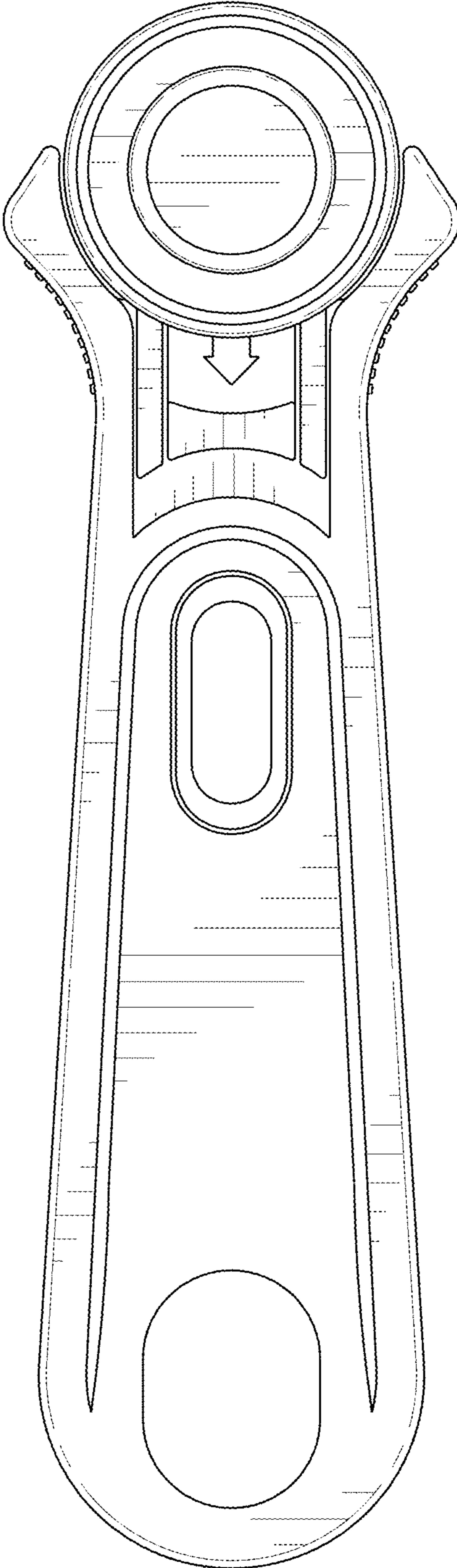


FIG. 2

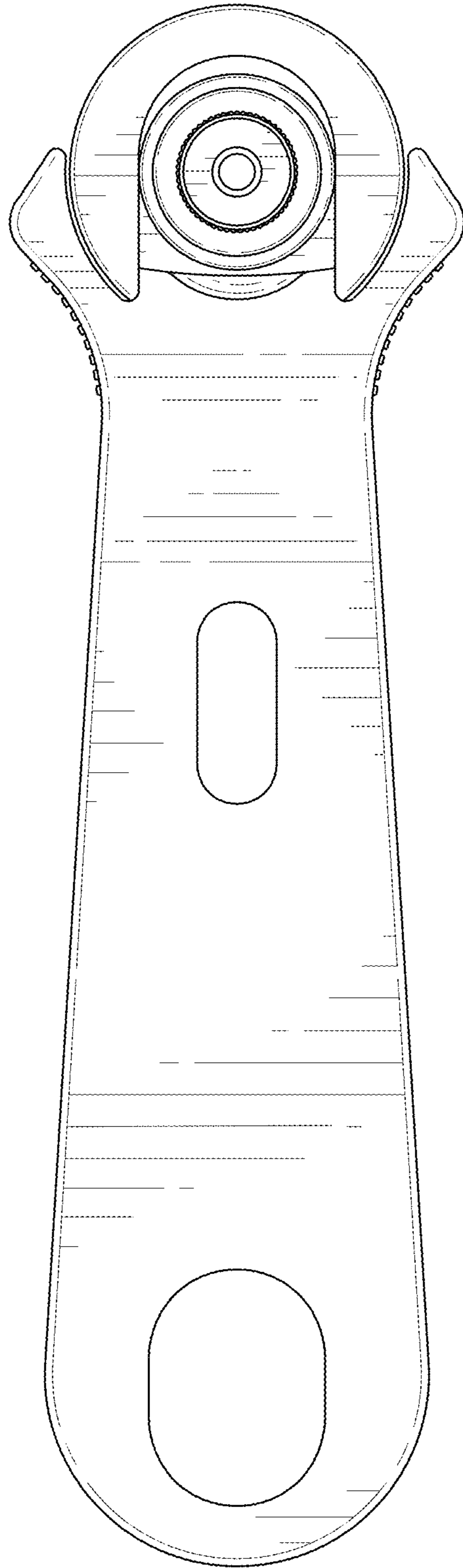


FIG. 3

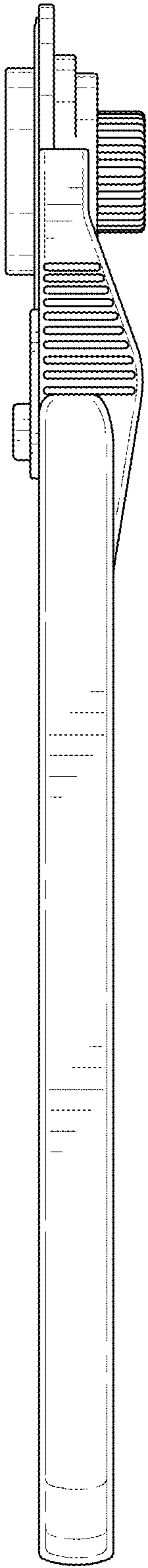


FIG. 4

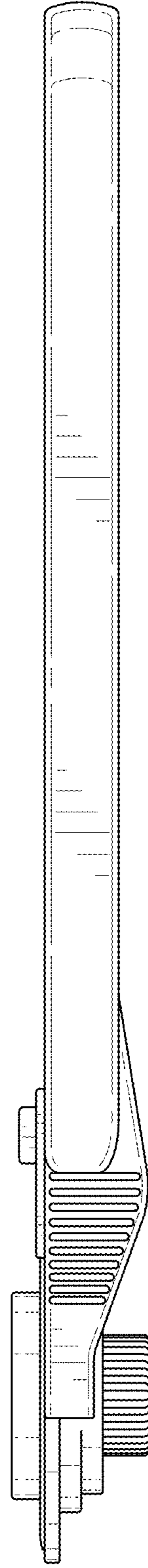


FIG. 5

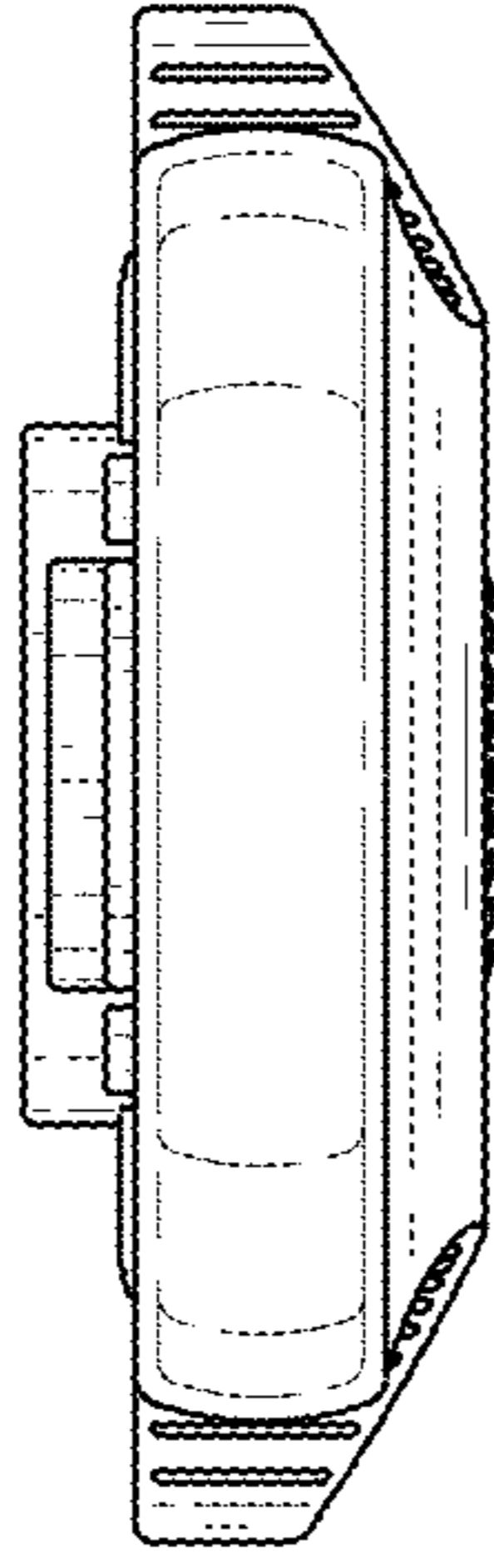


FIG. 6

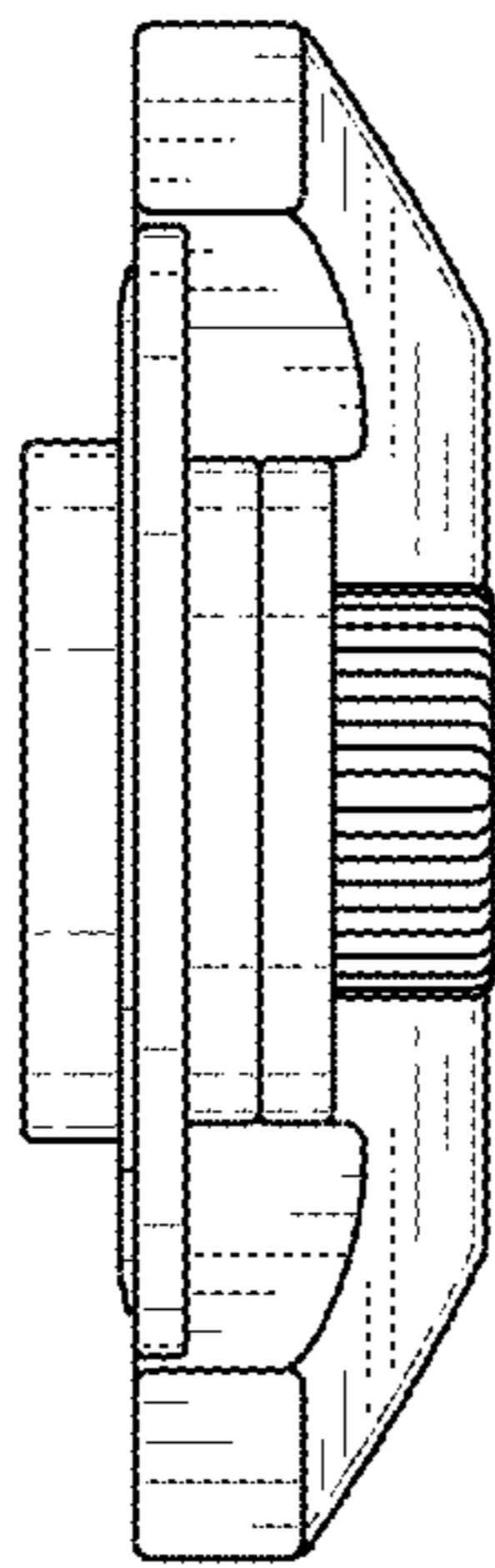


FIG. 7

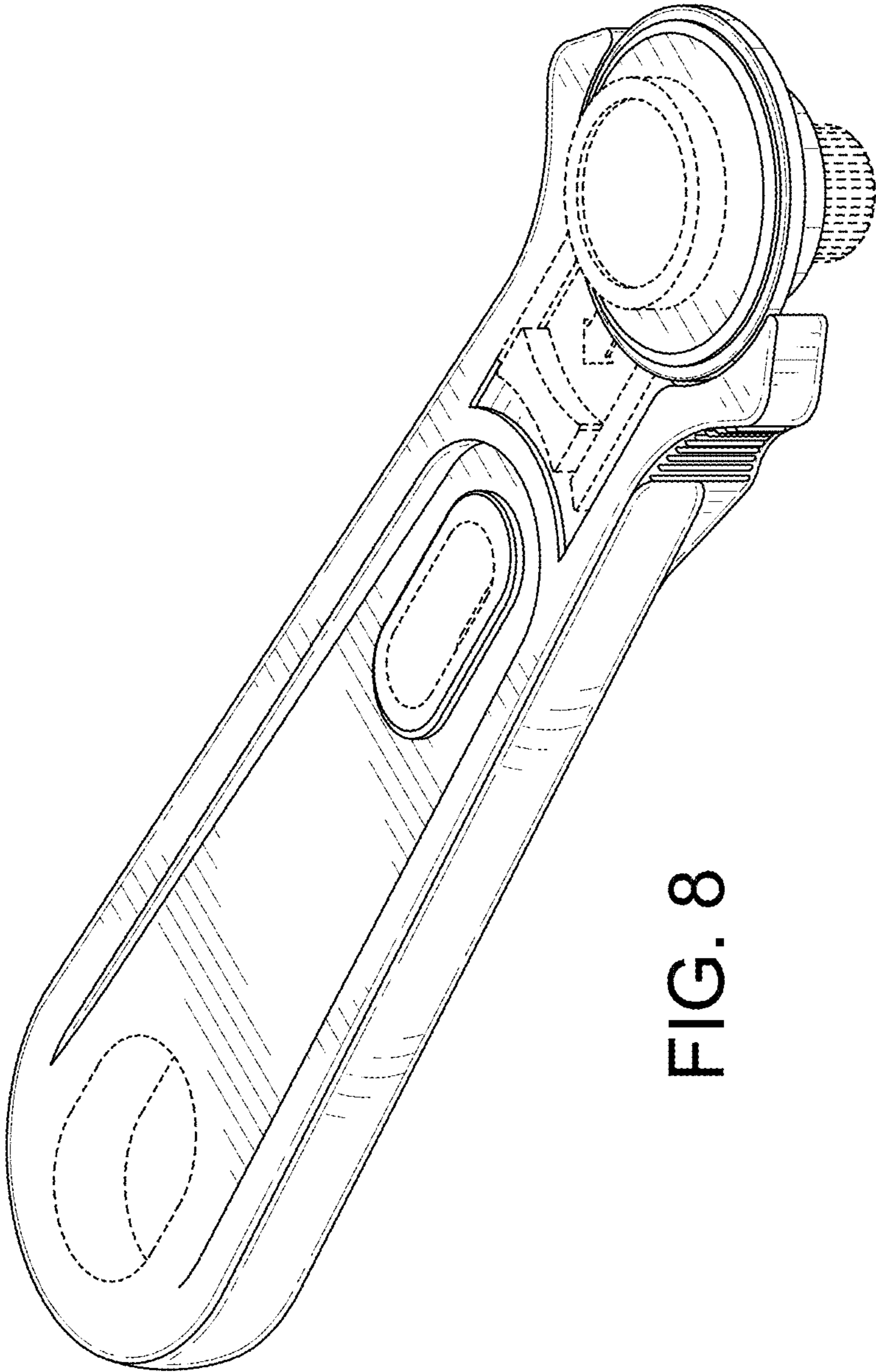


FIG. 8

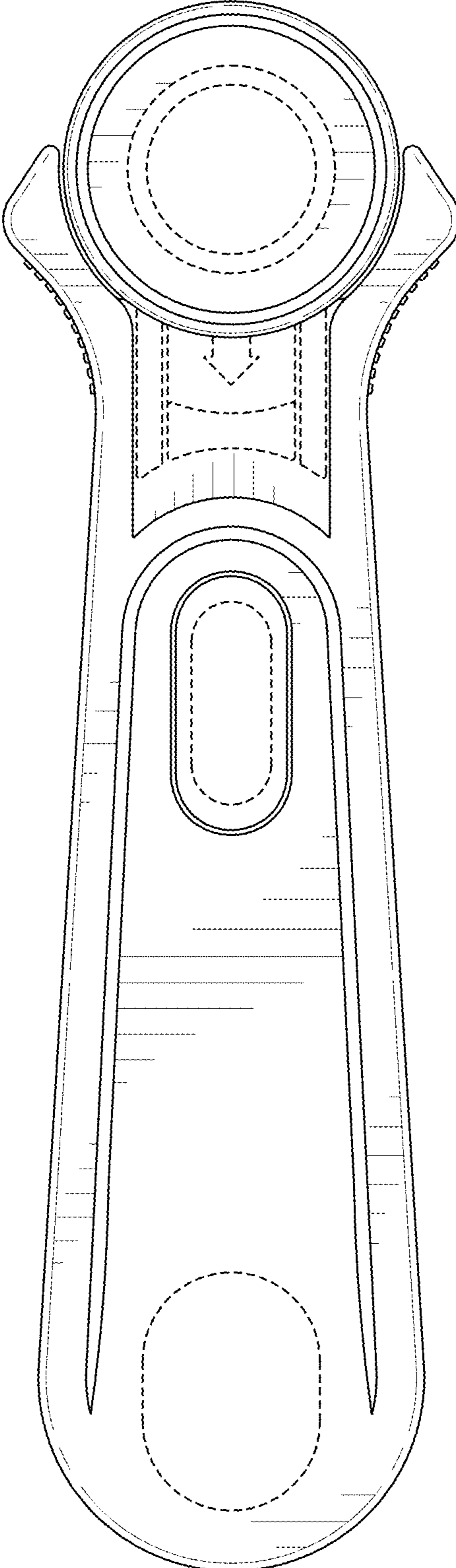


FIG. 9

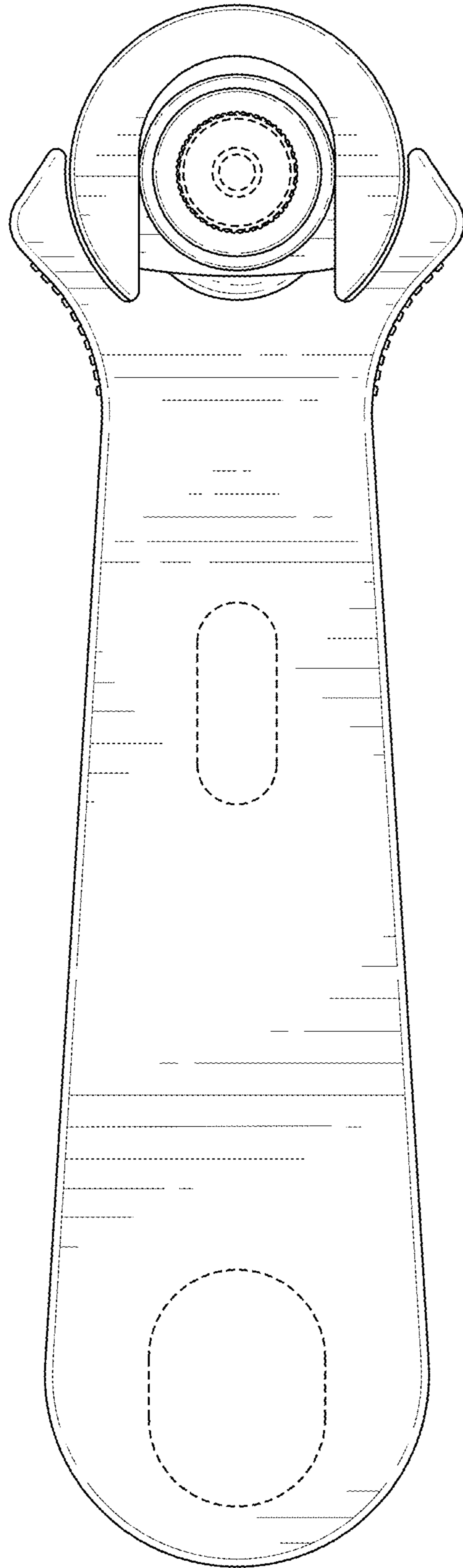


FIG. 10

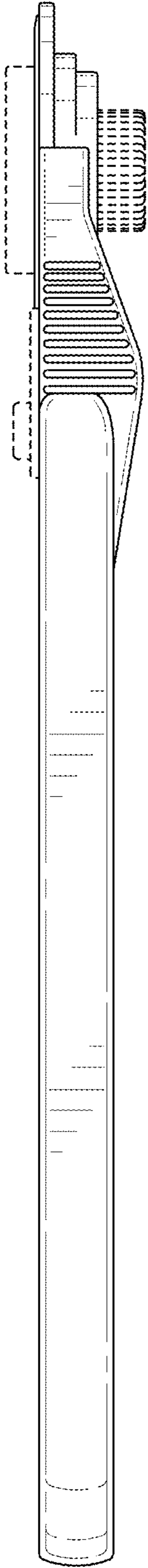


FIG. 11

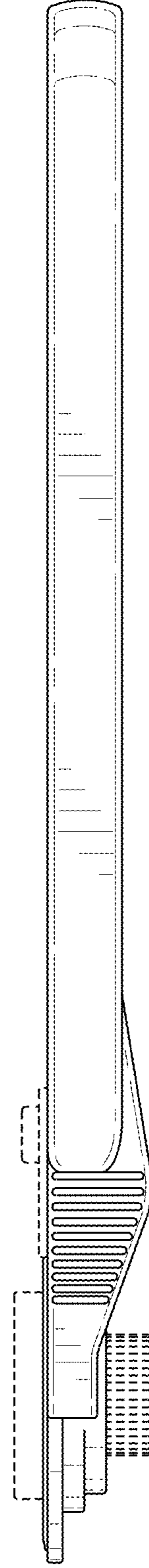


FIG. 12

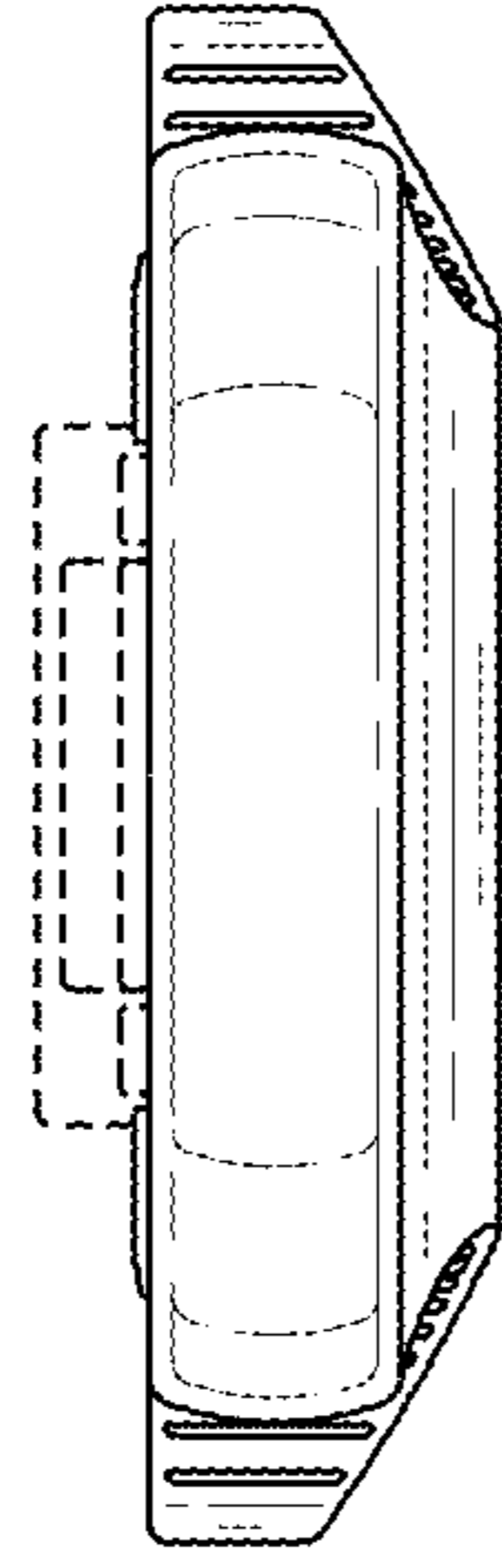


FIG. 13

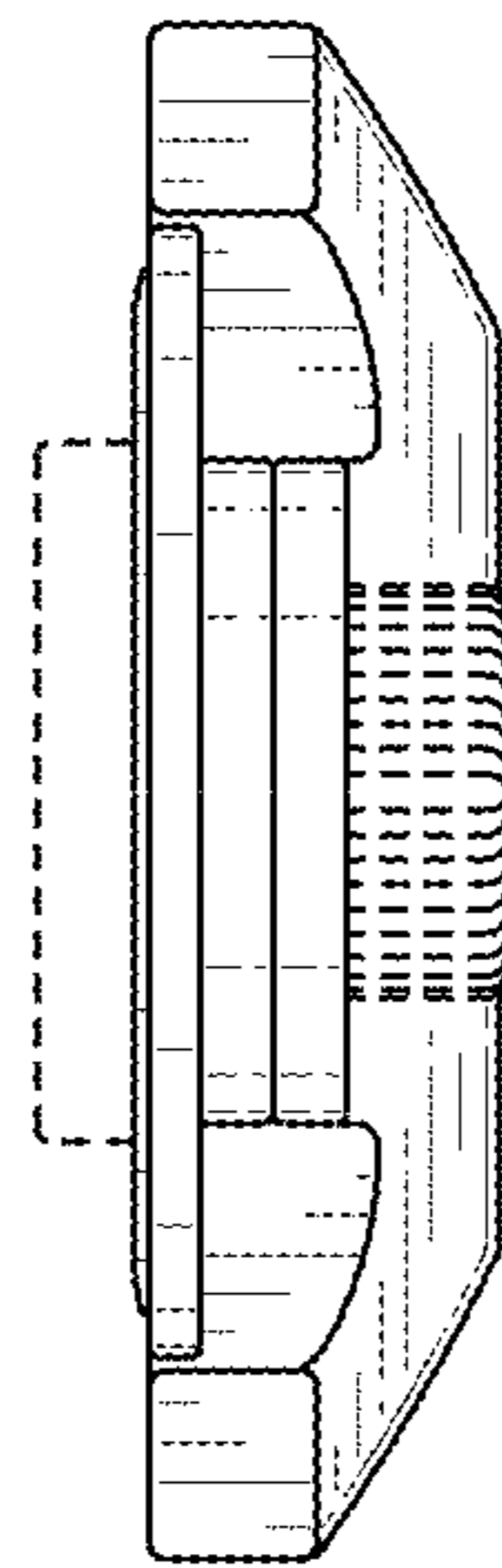


FIG. 14