



US00D928581S

(12) **United States Design Patent**
Hong

(10) **Patent No.:** **US D928,581 S**

(45) **Date of Patent:** **** Aug. 24, 2021**

(54) **KNIFE SHARPENER**

(71) Applicant: **Xianhe Hong**, Shenzhen (CN)

(72) Inventor: **Xianhe Hong**, Shenzhen (CN)

(**) Term: **15 Years**

(21) Appl. No.: **29/738,501**

(22) Filed: **Jun. 18, 2020**

(51) **LOC (13) Cl.** **08-05**

(52) **U.S. Cl.**
USPC **D8/93**

(58) **Field of Classification Search**
USPC D8/63, 90, 91, 92, 93
CPC B24B 3/54; B24B 3/36; B24B 3/58; B24B
3/00; B24B 23/08; B24B 15/00; B24B
15/06; B24B 15/063; B24B 15/08
See application file for complete search history.

(56) **References Cited**

U.S. PATENT DOCUMENTS

D309,415 S *	7/1990	Shimizu	D8/63
5,404,679 A *	4/1995	Friel	B24B 3/54 451/312
D604,134 S *	11/2009	Smith	D8/63
D629,273 S *	12/2010	Friel, Sr.	D8/93
D640,116 S *	6/2011	Smith	D8/93
D640,523 S *	6/2011	Stutz	D8/93
D668,524 S *	10/2012	Yang	D8/93

D680,846 S *	4/2013	Smith	D8/93
D773,913 S *	12/2016	Severinson	D8/93
D876,199 S *	2/2020	Zhu	D8/93
D894,710 S *	9/2020	Li	D8/93

OTHER PUBLICATIONS

Ulwae Three stage knife sharpener. Amazon.com, Reviews from Jul. 2019 for the updated version.*

* cited by examiner

Primary Examiner — Philip S Hyder

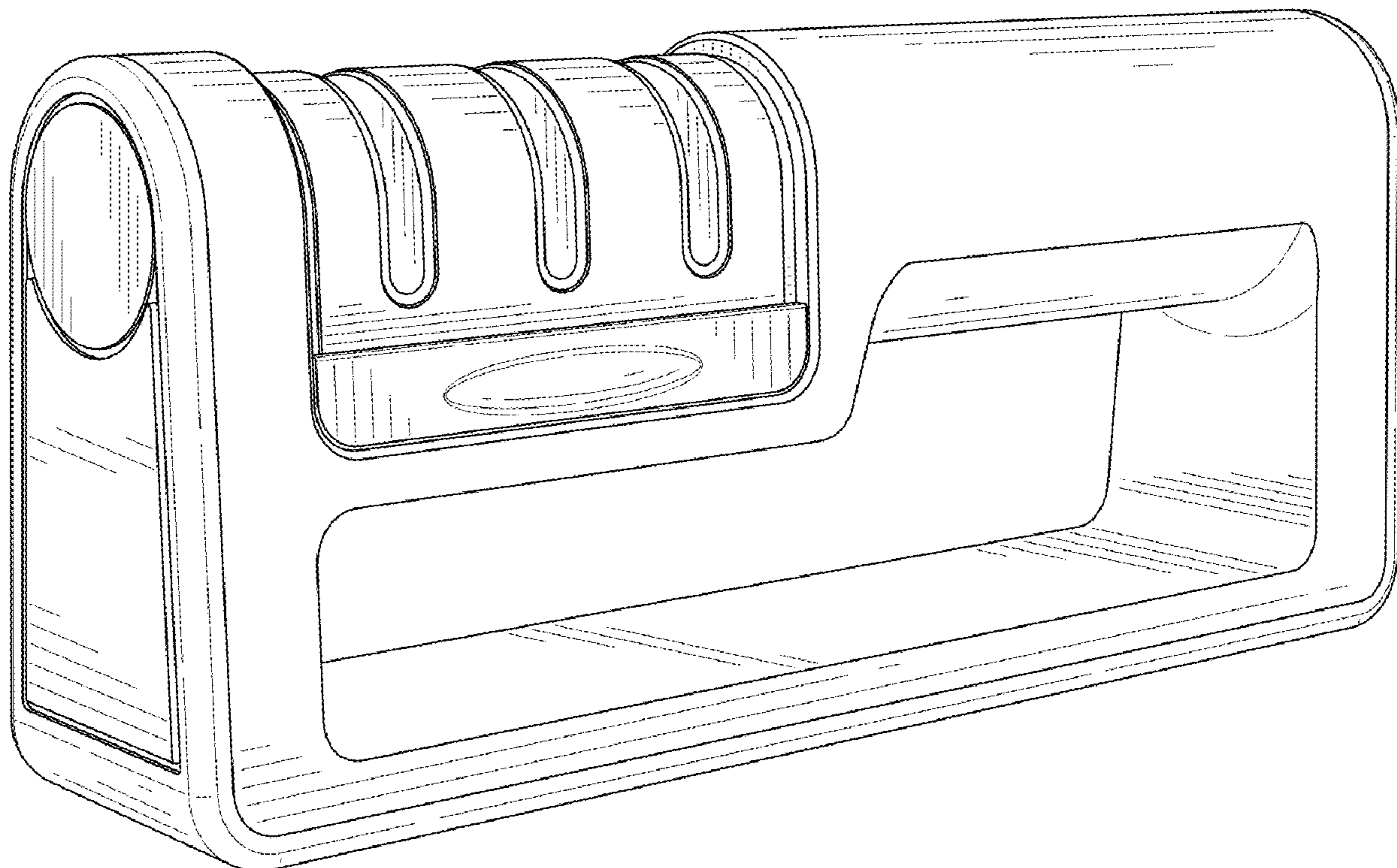
(57) **CLAIM**

The ornamental design for a knife sharpener, as shown and described.

DESCRIPTION

FIG. 1 is a front right perspective view of a knife sharpener showing my new design;
FIG. 2 is a rear perspective view thereof;
FIG. 3 is a front elevation view thereof;
FIG. 4 is a rear elevation view thereof;
FIG. 5 is a left side elevation view thereof;
FIG. 6 is a right side elevation view thereof;
FIG. 7 is a top plan elevation view thereof; and,
FIG. 8 is a bottom plan elevation view thereof.
The broken lines depict portions of the article that form no part of the claimed design.

1 Claim, 8 Drawing Sheets



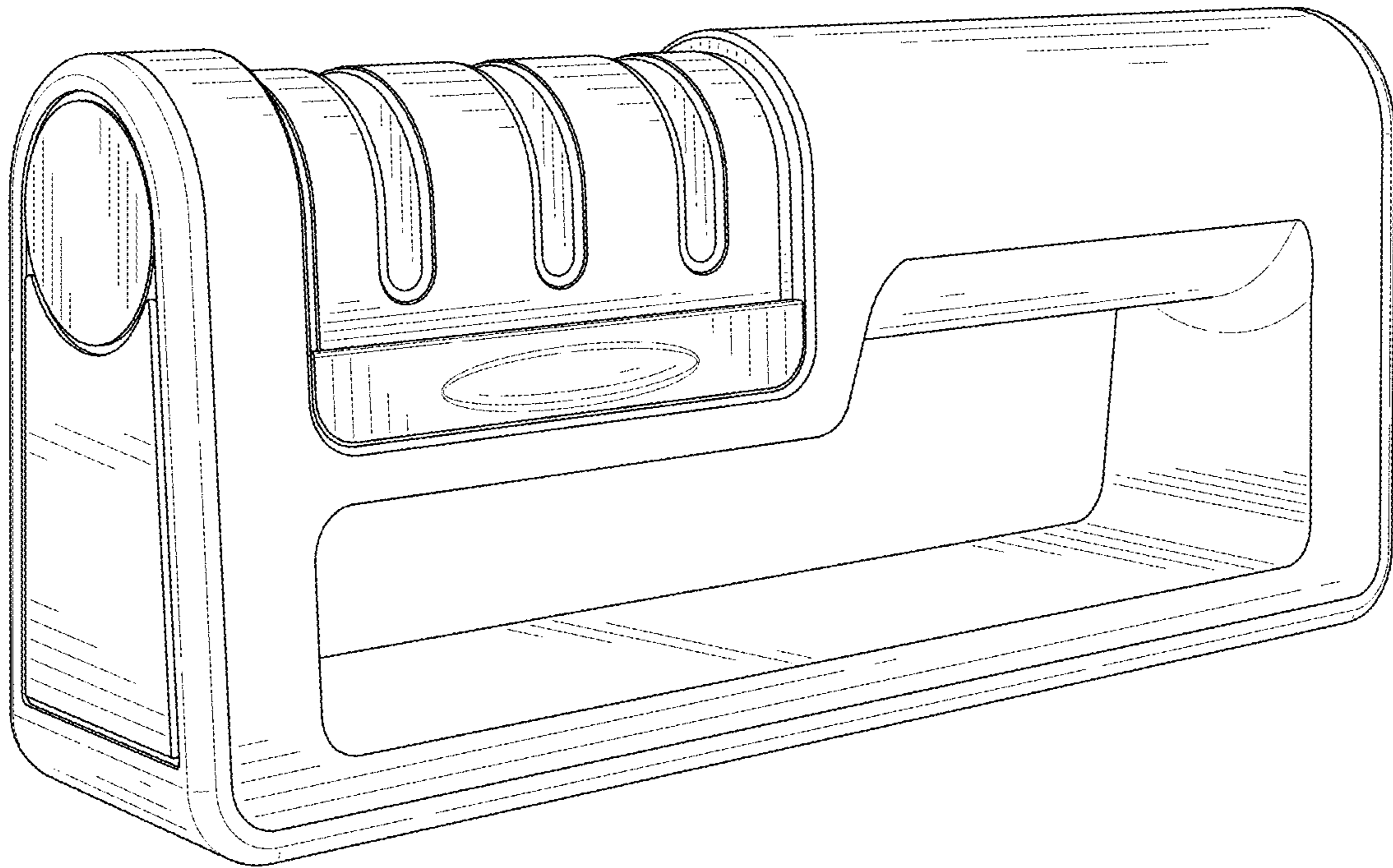


FIG. 1

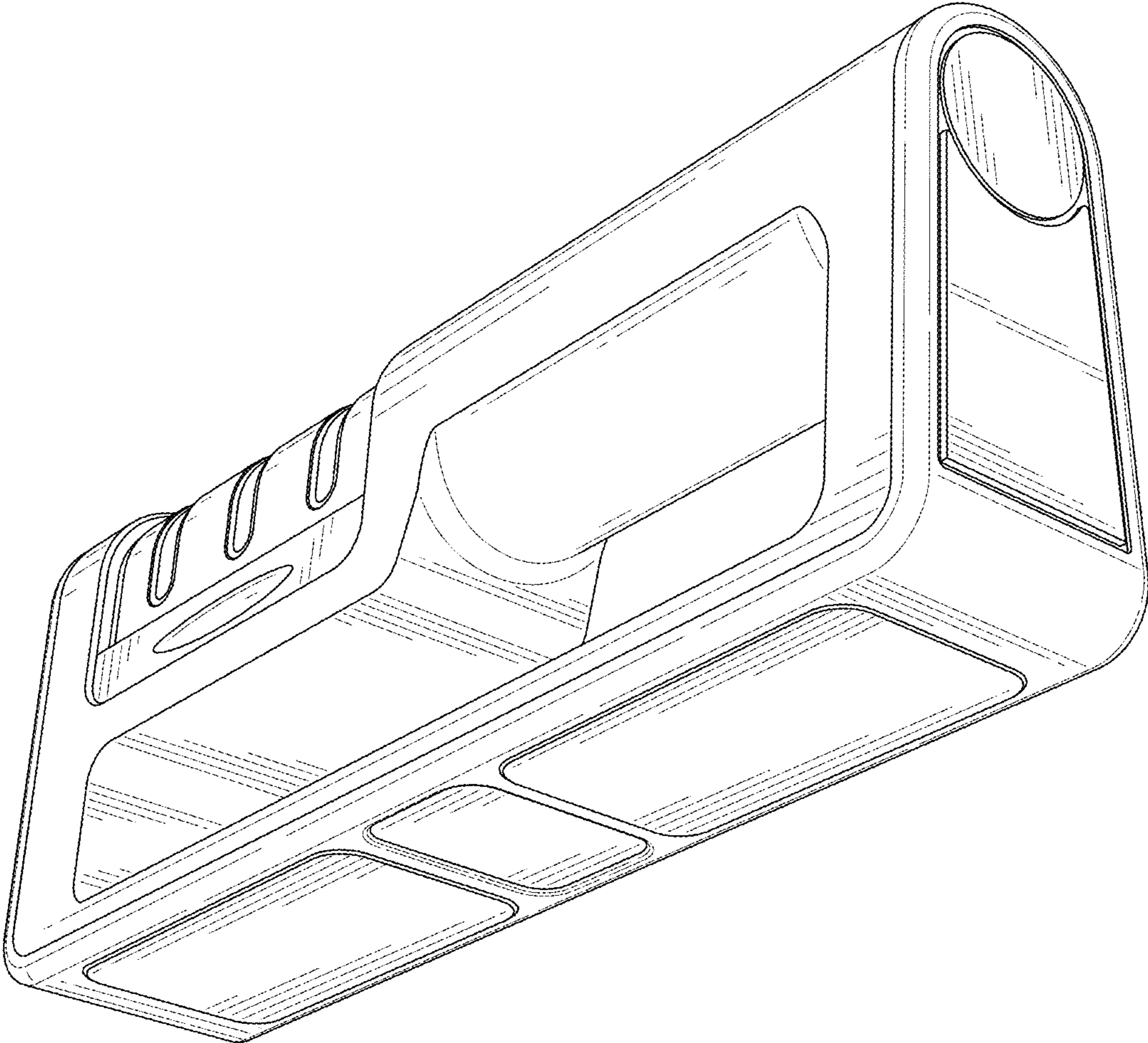


FIG. 2

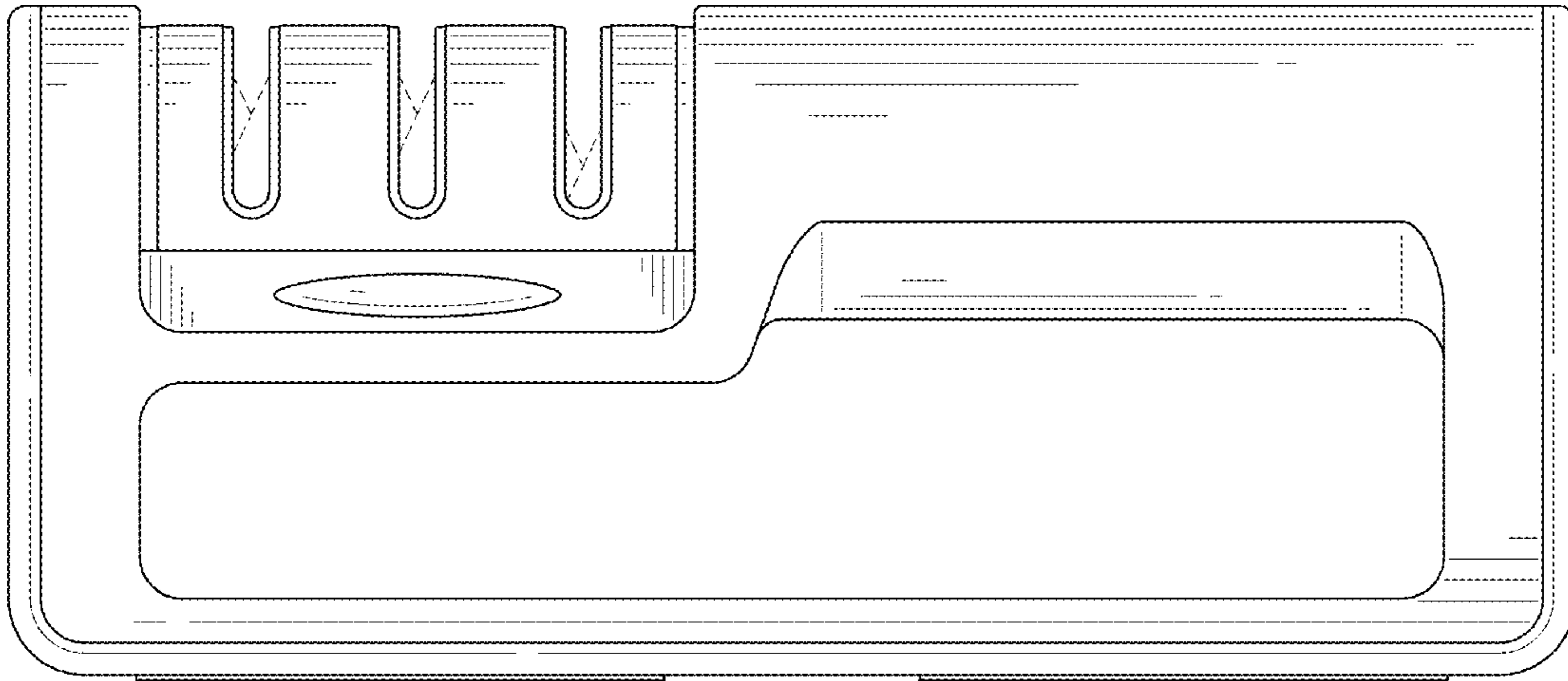


FIG. 3

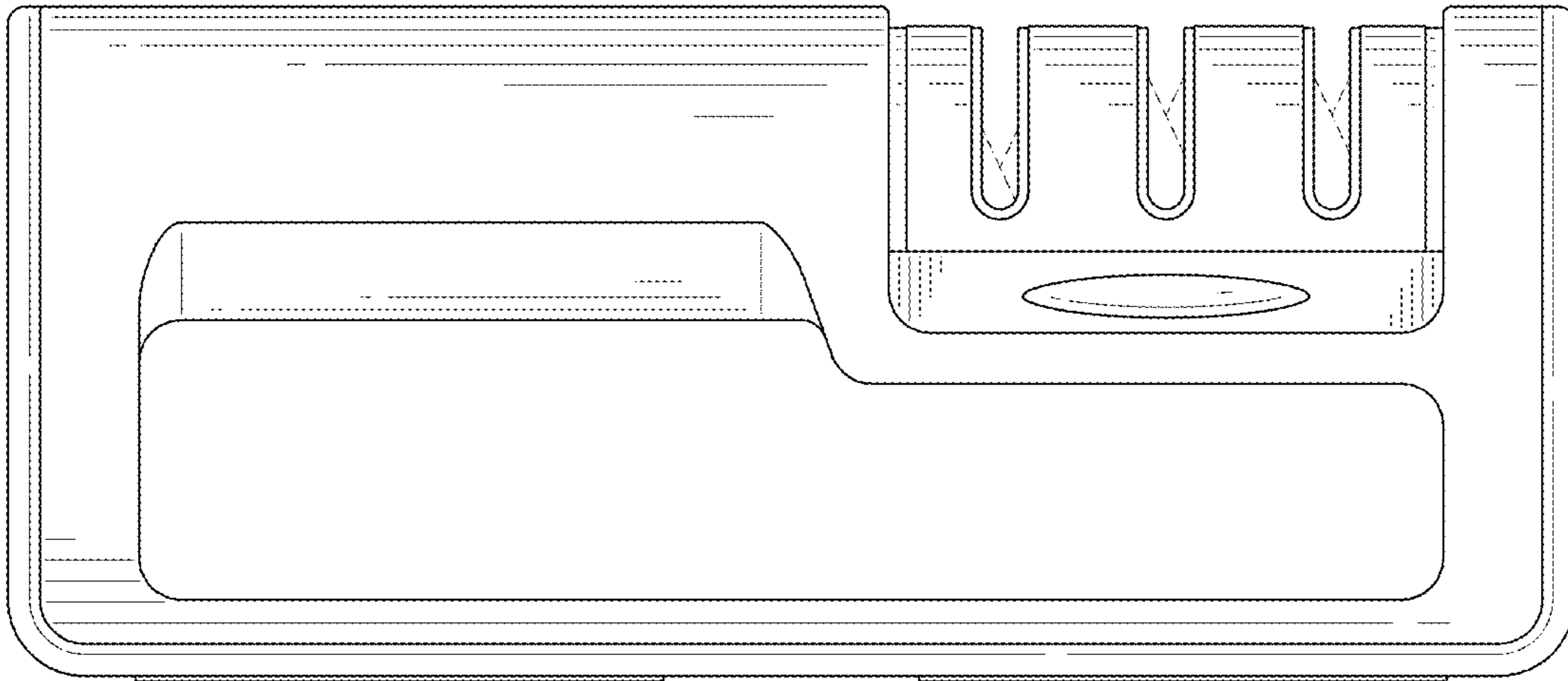


FIG. 4

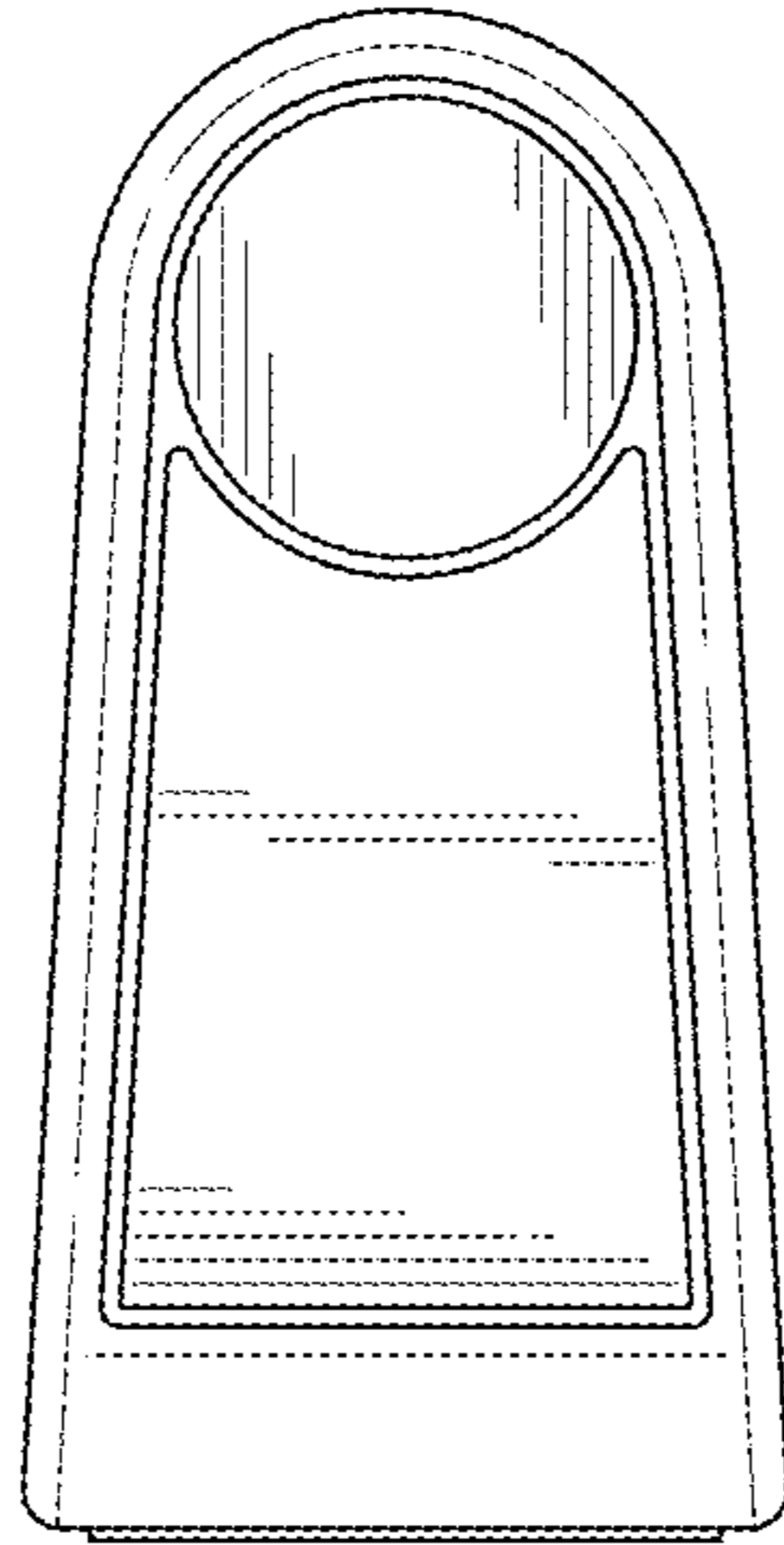


FIG. 5

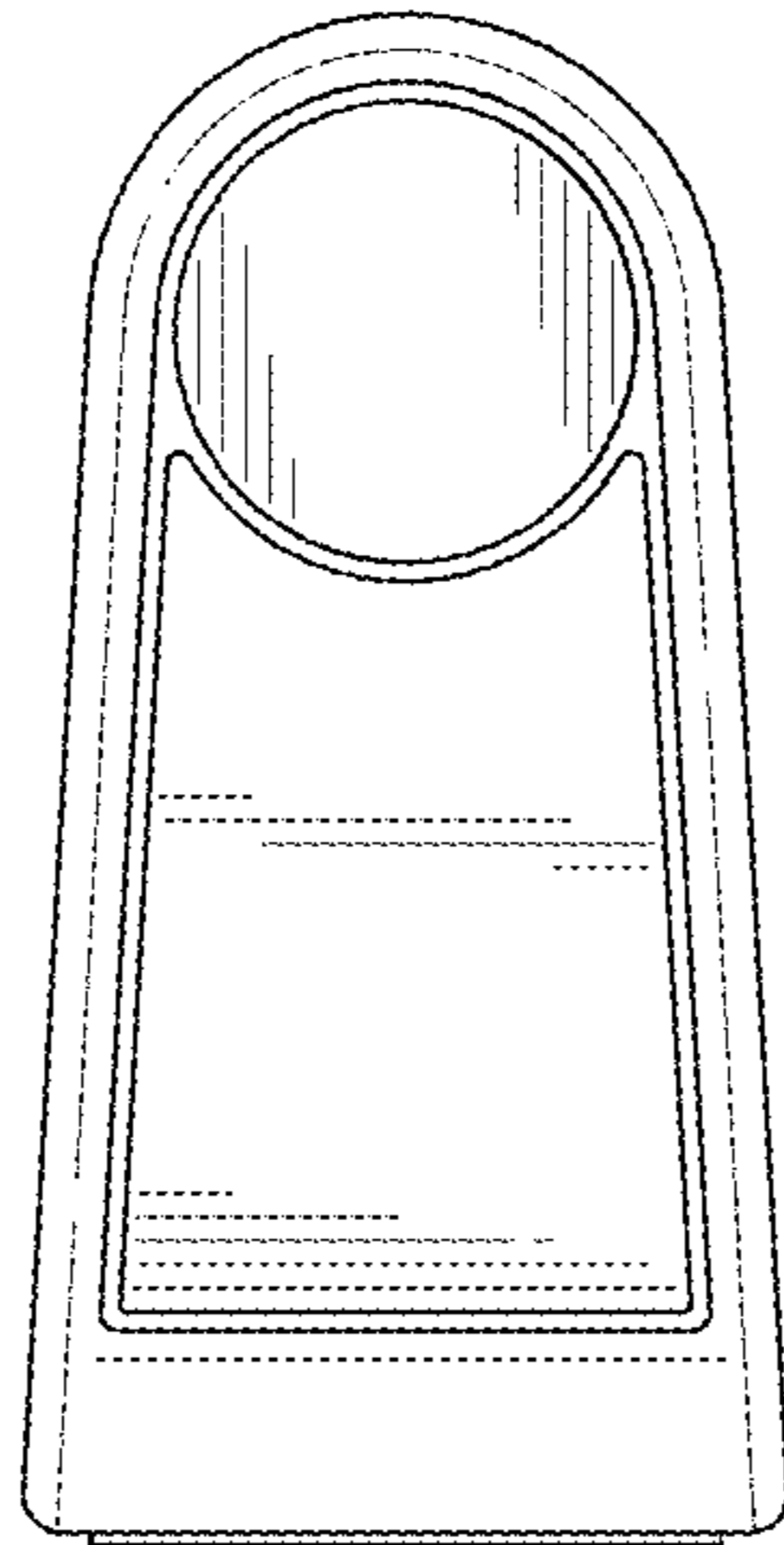


FIG. 6

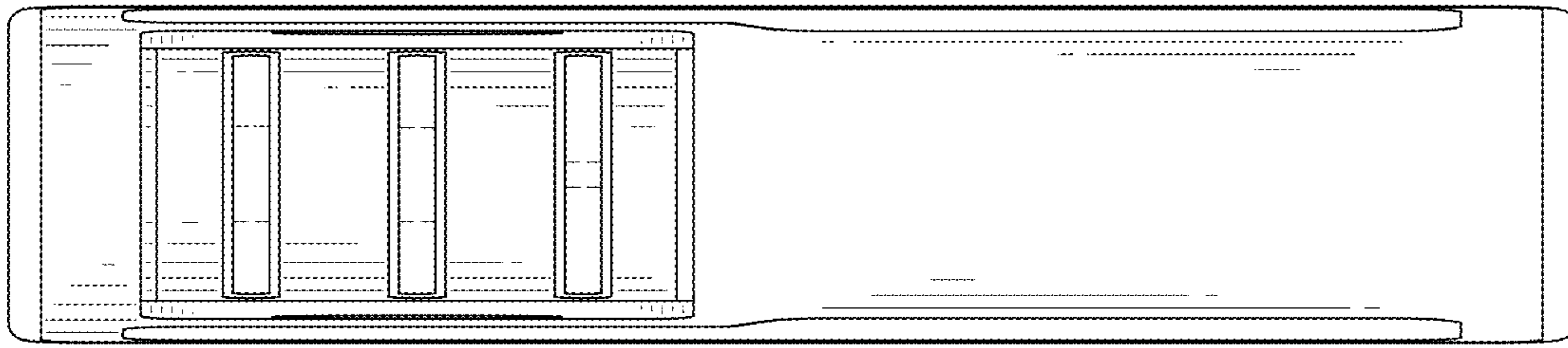


FIG. 7

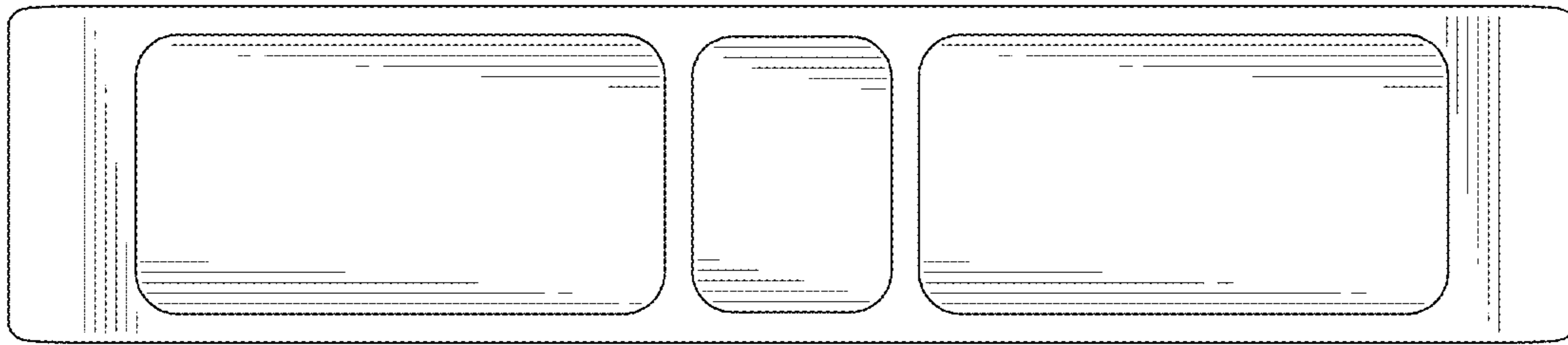


FIG. 8