



US00D928579S

(12) **United States Design Patent** (10) **Patent No.:** **US D928,579 S**
Lopez (45) **Date of Patent:** **** Aug. 24, 2021**

(54) **CUTTING TOOL**
(71) Applicant: **Iron Pine, LLC**, Boise, ID (US)
(72) Inventor: **Maria D. Lopez**, Boise, ID (US)
(73) Assignee: **Iron Pine LLC**, Boise, ID (US)
(**) Term: **15 Years**
(21) Appl. No.: **29/727,471**
(22) Filed: **Mar. 11, 2020**
(51) **LOC (13) Cl.** **08-04**
(52) **U.S. Cl.**
USPC **D8/76**
(58) **Field of Classification Search**
USPC ... D8/11, 75, 76, 77, 78, 79, 80, 81, 88, 89;
D22/118
CPC B26B 23/00; B25D 1/00; B25D 1/045;
B25D 1/06; B25G 1/01; B25G 1/08;
B25G 1/10; B25G 3/28; B25G 3/34;
B25F 1/006; A01B 1/10; A01B 1/227
See application file for complete search history.

(56) **References Cited**
U.S. PATENT DOCUMENTS
4,433,709 A * 2/1984 Porter B25D 1/04
30/308.1
D329,366 S * 9/1992 Ragoonath D8/105
5,647,080 A * 7/1997 Martin A47G 27/0487
30/308.1
D510,691 S * 10/2005 Storm D8/76
D521,344 S * 5/2006 Hung D8/76
D521,345 S * 5/2006 Hung D8/76
D521,840 S * 5/2006 Hung D8/76
7,062,809 B2 * 6/2006 Sheffield B25D 1/06
7/144
D549,065 S * 8/2007 Chen D8/76
D549,540 S * 8/2007 Chen D8/76

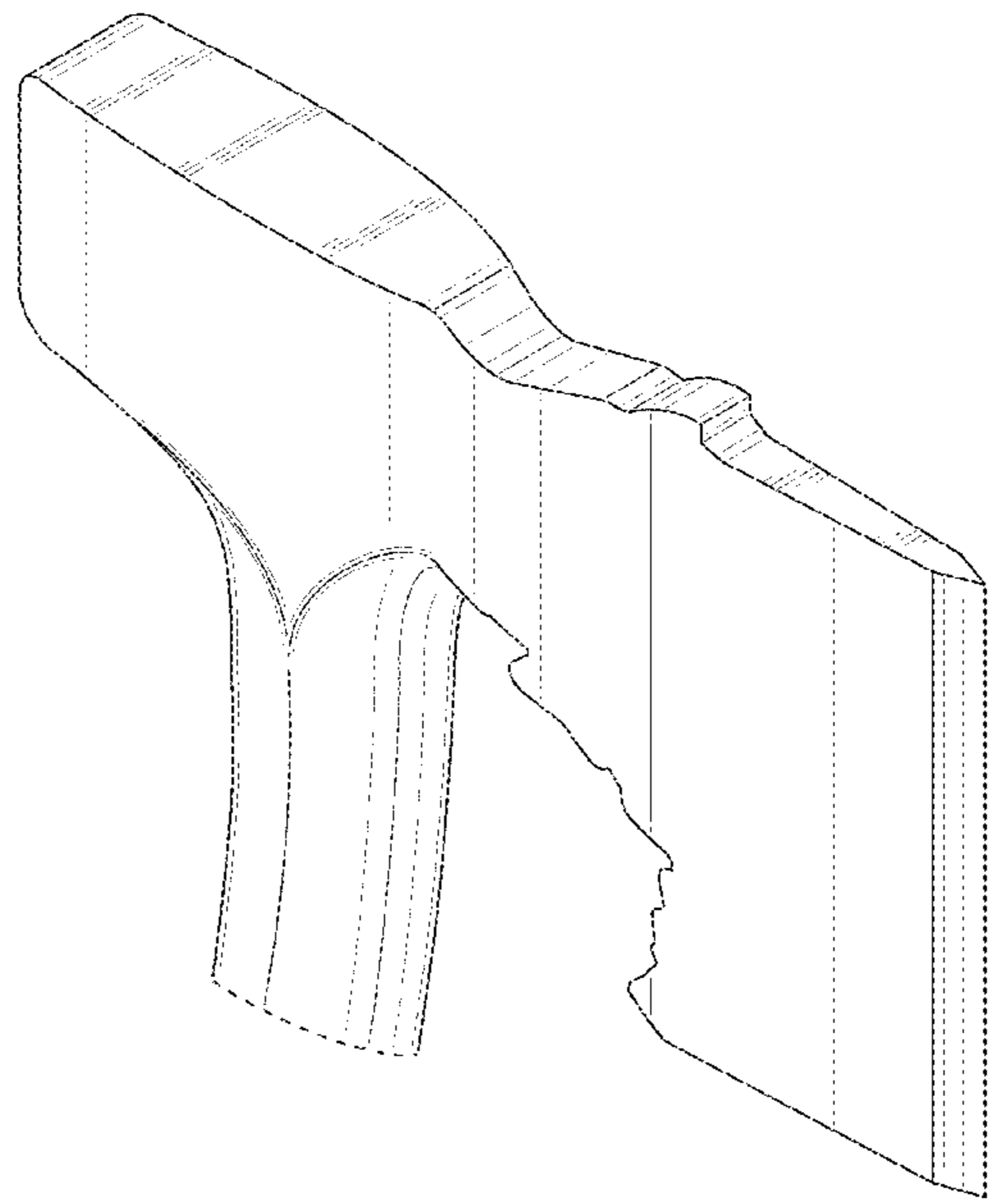
D607,295 S * 1/2010 Knight D8/78
D608,615 S * 1/2010 Knight D8/76
D622,122 S * 8/2010 Branby D8/76
(Continued)

Primary Examiner — Philip S Hyder
(74) *Attorney, Agent, or Firm* — Hawley Troxell Ennis & Hawley LLP; Philip McKay

(57) **CLAIM**
The ornamental design for a cutting tool, as shown and described.

DESCRIPTION
FIG. 1 is a perspective view of a first embodiment of a cutting tool in accordance with the new design.
FIG. 2 is a right side view of the cutting tool shown in FIG. 1.
FIG. 3 is a left side view of the cutting tool shown in FIG. 1.
FIG. 4 is a rear view of the cutting tool shown in FIG. 1.
FIG. 5 is a front view of the cutting tool shown in FIG. 1.
FIG. 6 is a top view of the cutting tool shown in FIG. 1.
FIG. 7 is a bottom view of the cutting tool shown in FIG. 1.
FIG. 8 is a perspective view of a second embodiment of a cutting tool in accordance with the new design.
FIG. 9 is a right side view of the cutting tool shown in FIG. 8.
FIG. 10 is a left side view of the cutting tool shown in FIG. 8.
FIG. 11 is a rear view of the cutting tool shown in FIG. 8.
FIG. 12 is a front view of the cutting tool shown in FIG. 8.
FIG. 13 is a top view of the cutting tool shown in FIG. 8; and,
FIG. 14 is a bottom view of the cutting tool shown in FIG. 8.
The broken lines shown in the drawings illustrate a boundary and form no part of the claimed design.

1 Claim, 14 Drawing Sheets



(56)

References Cited

U.S. PATENT DOCUMENTS

D748,964 S * 2/2016 Bloch D8/76
D775,923 S * 1/2017 Klingman D8/76
D784,783 S * 4/2017 Chen D8/76
D863,018 S * 10/2019 Hernandez, Jr. D8/81
D897,804 S * 10/2020 Genzow D8/78
D913,069 S * 3/2021 Zelaya D8/76
2018/0297188 A1 * 10/2018 McCann A62B 3/005

* cited by examiner

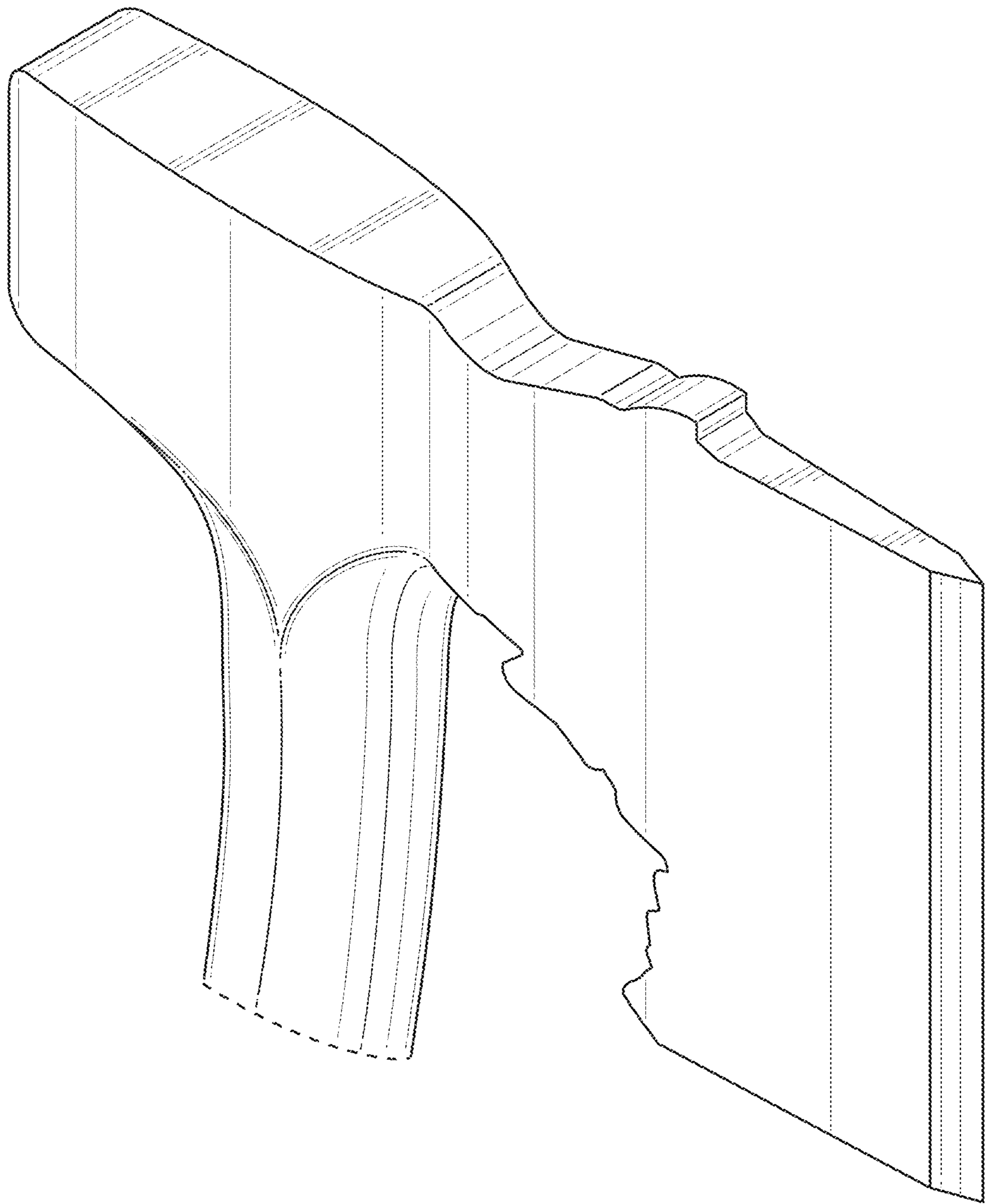


FIG. 1

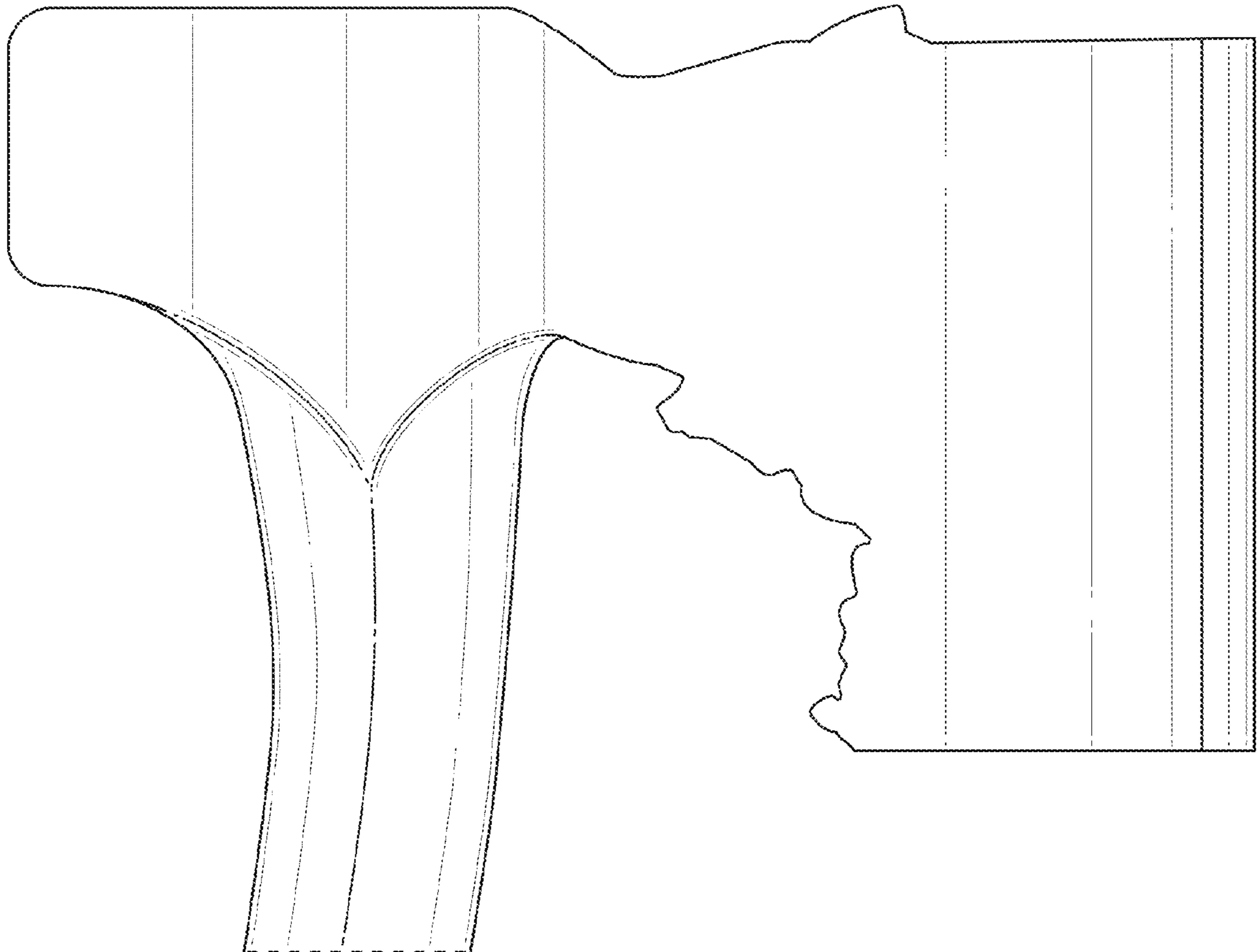


FIG. 2

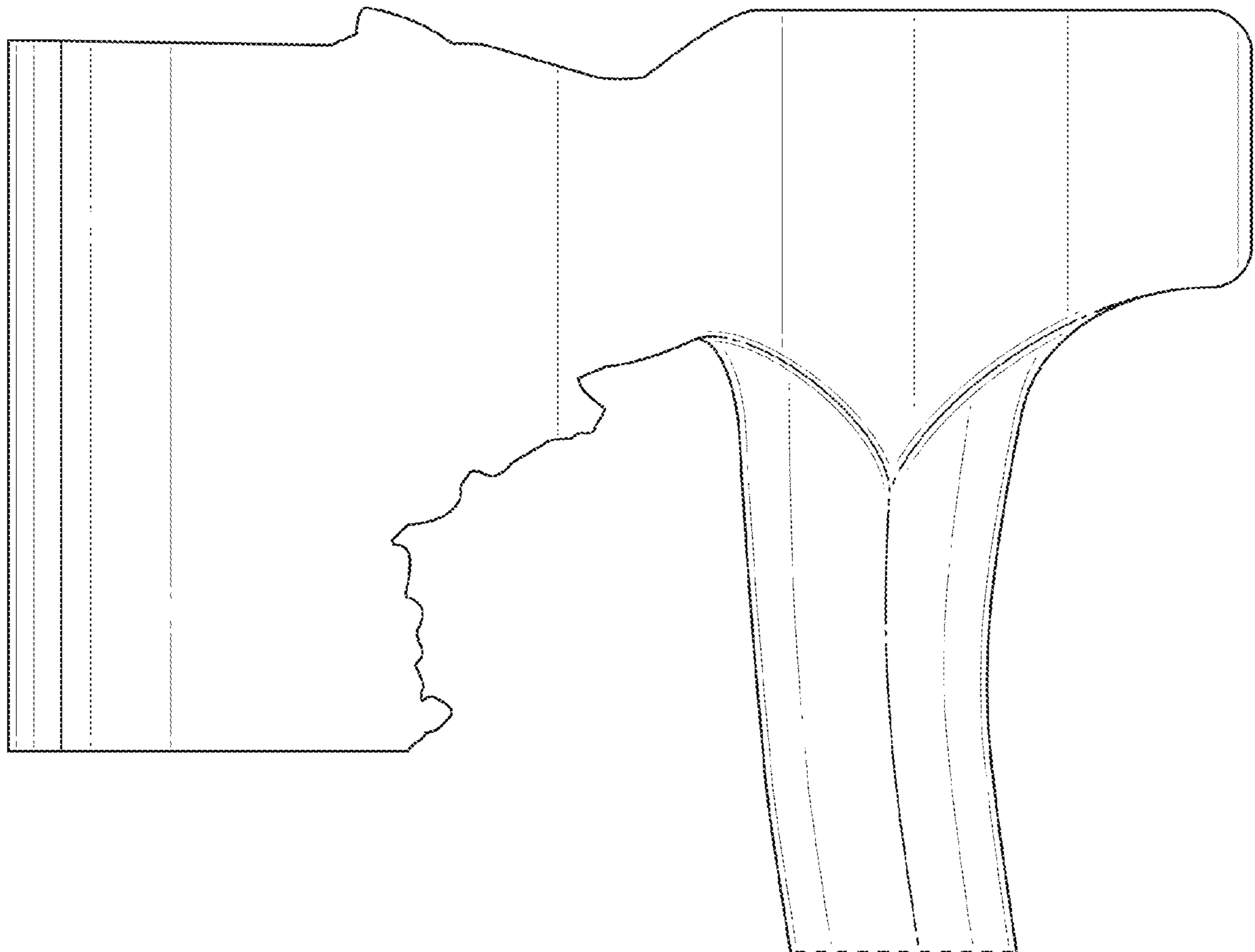


FIG. 3

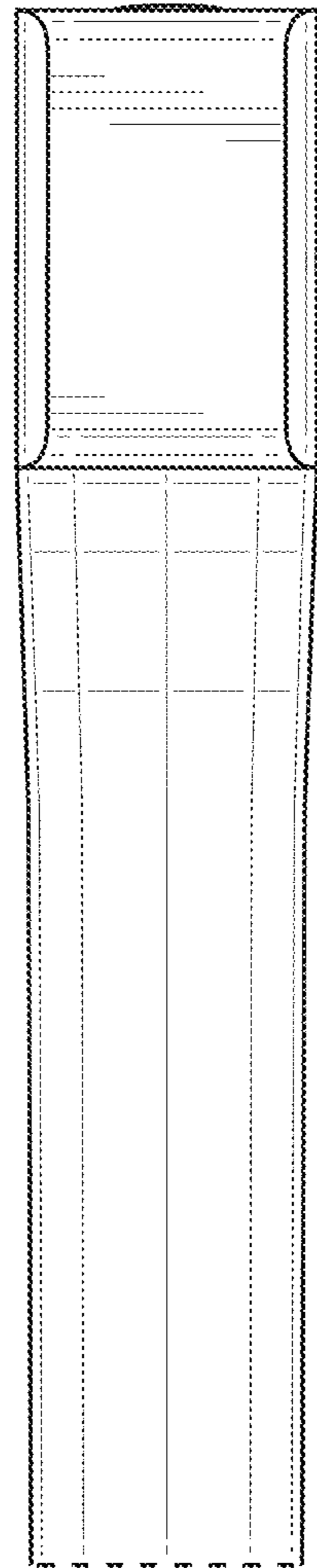


FIG. 4

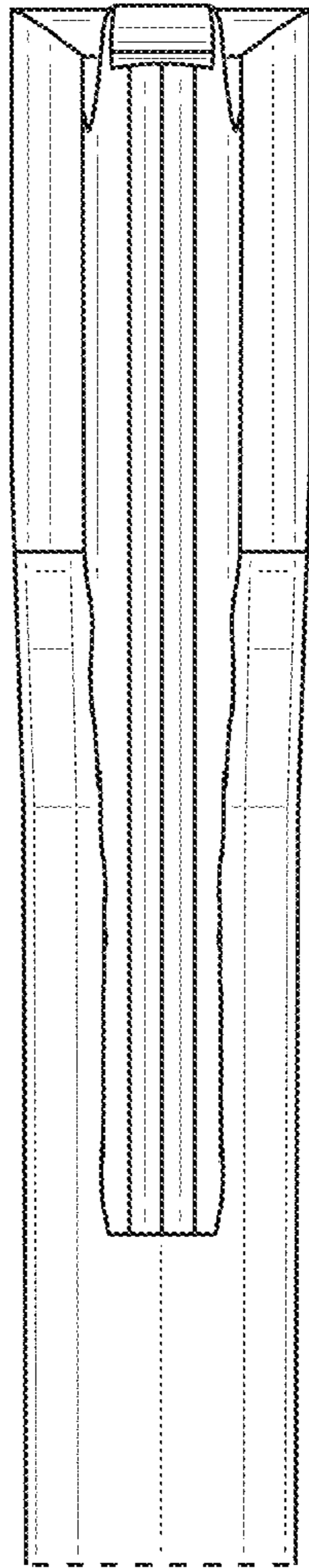


FIG. 5

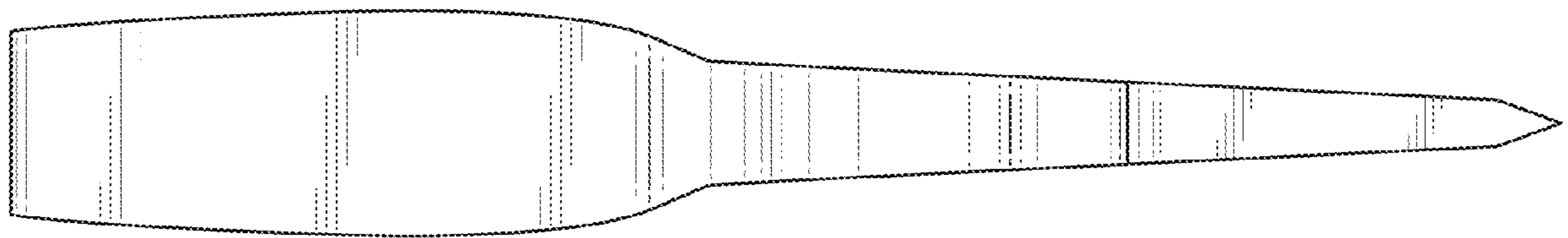


FIG. 6

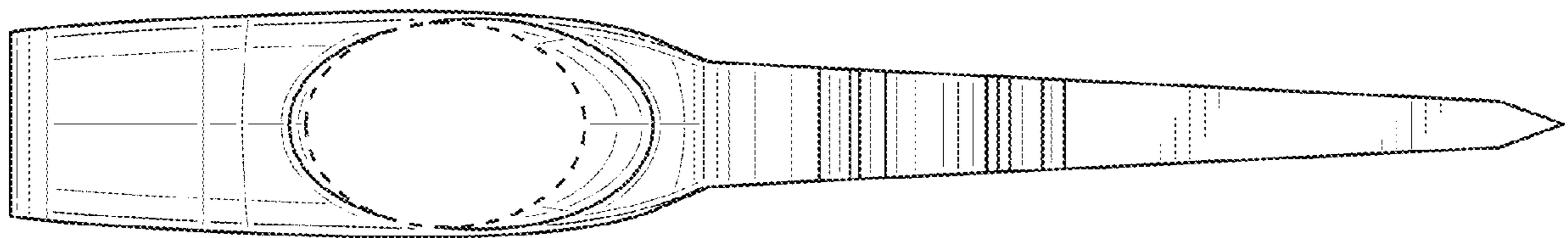


FIG. 7

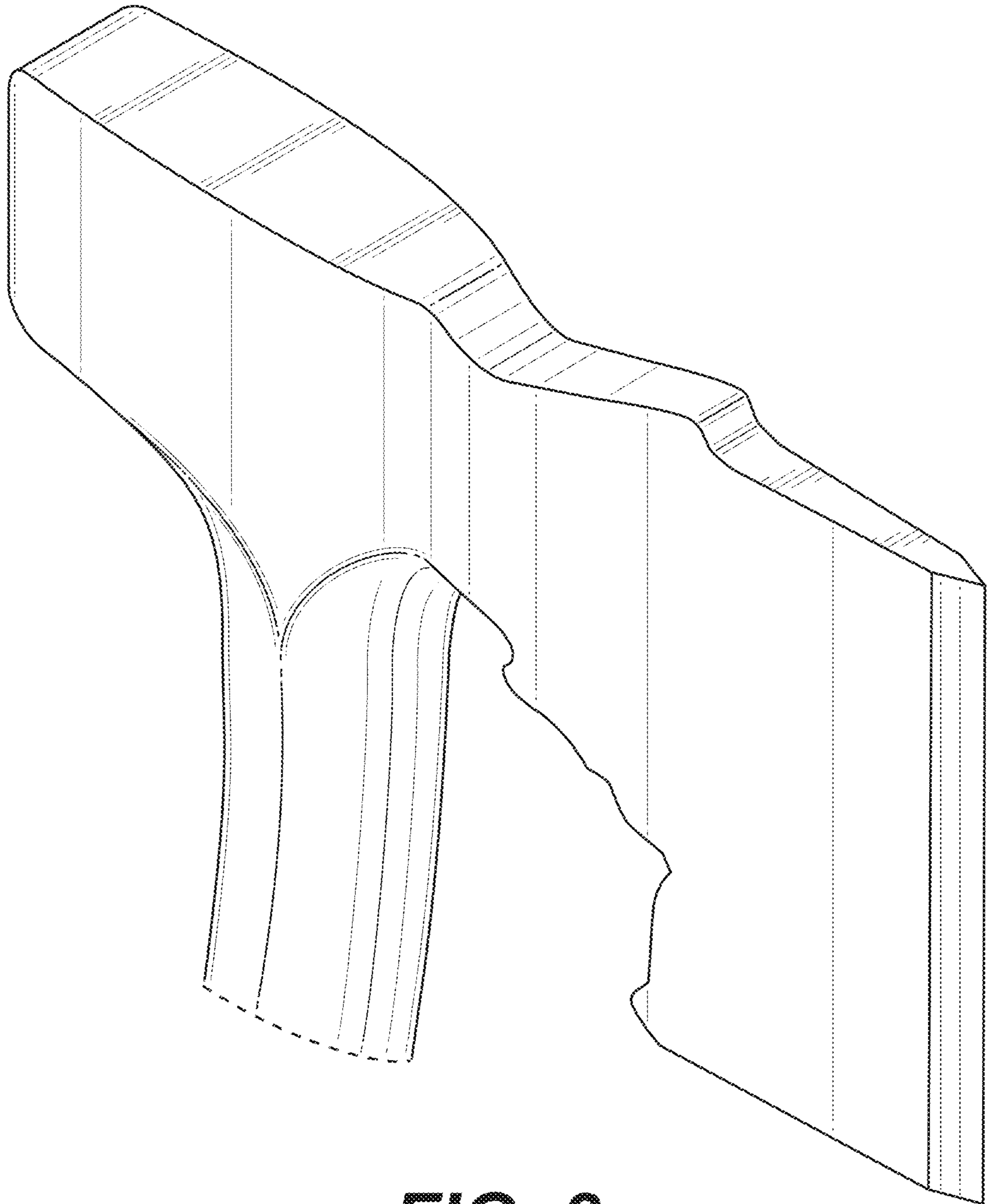


FIG. 8

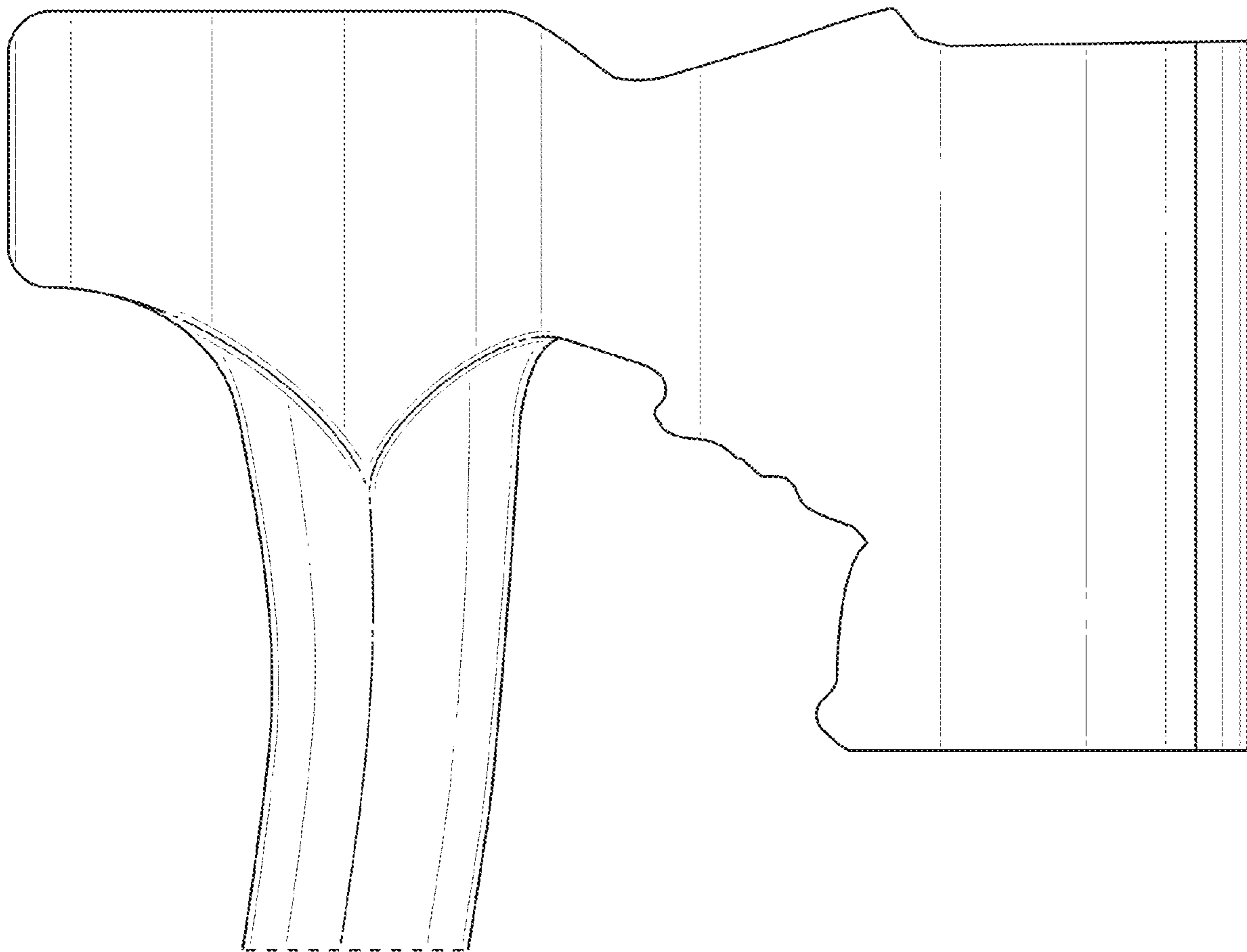


FIG. 9

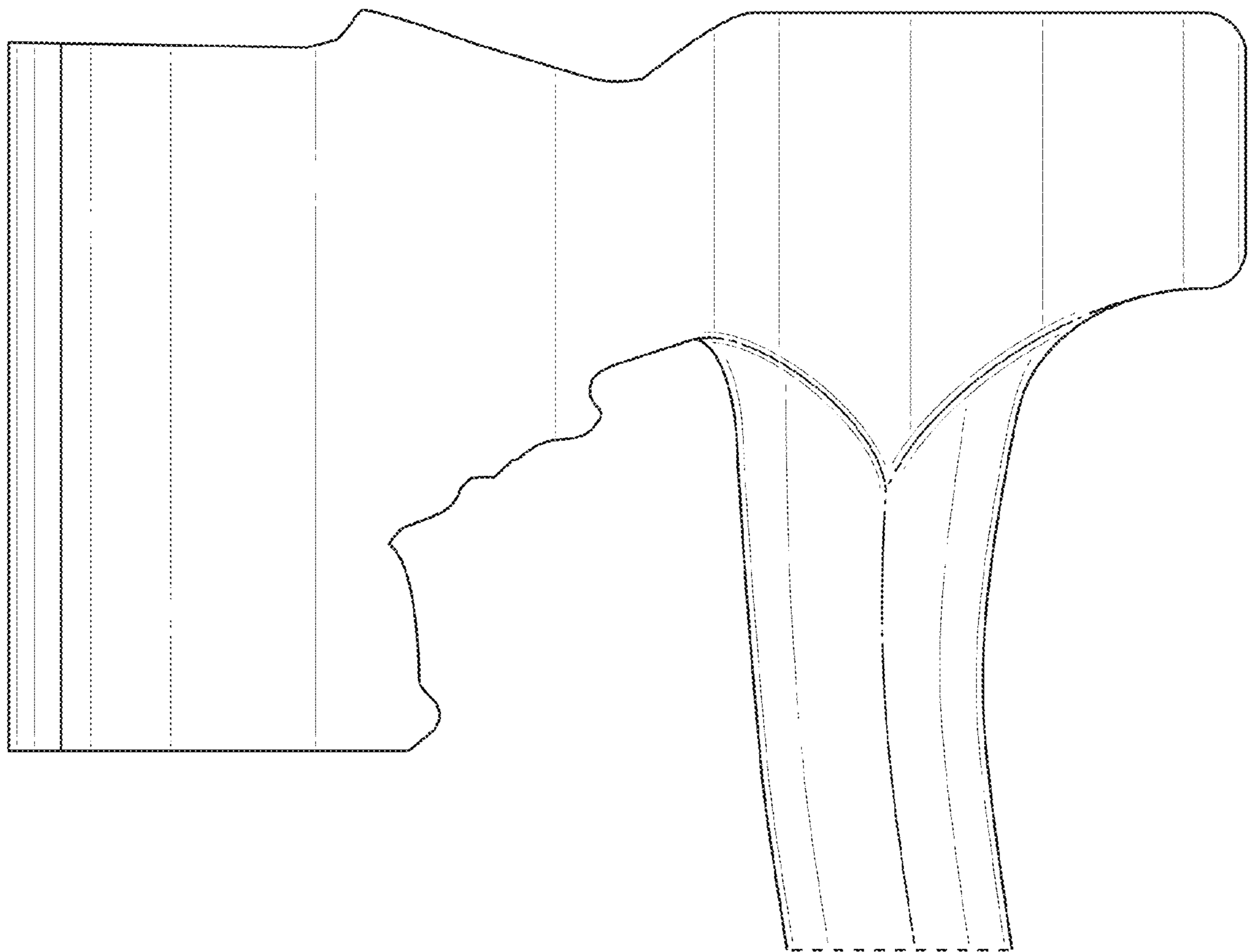


FIG. 10

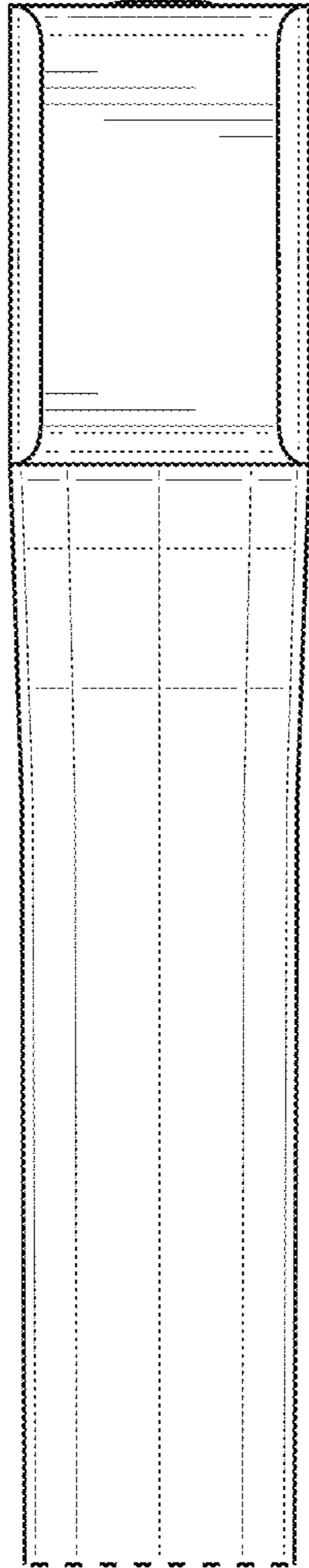


FIG. 11

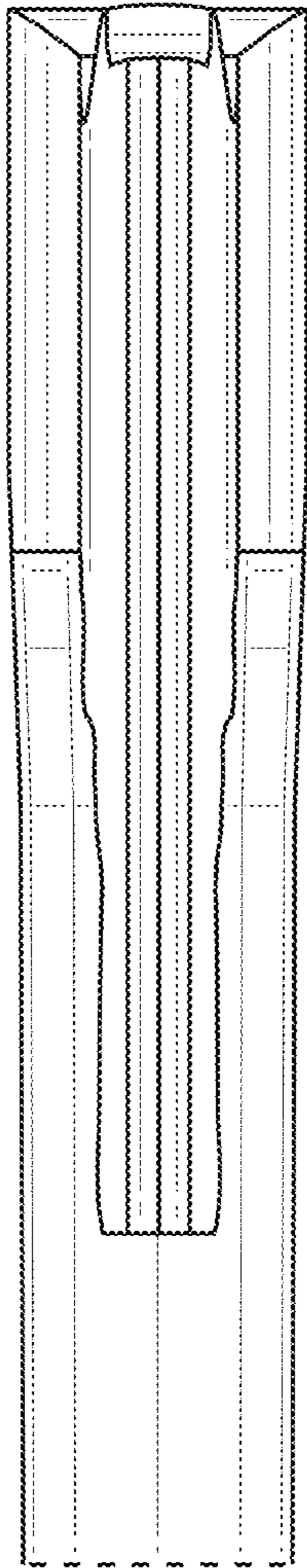


FIG. 12

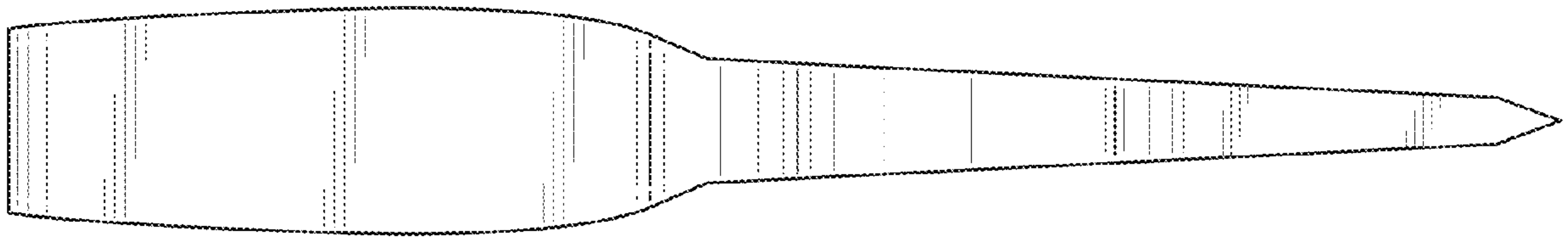


FIG. 13

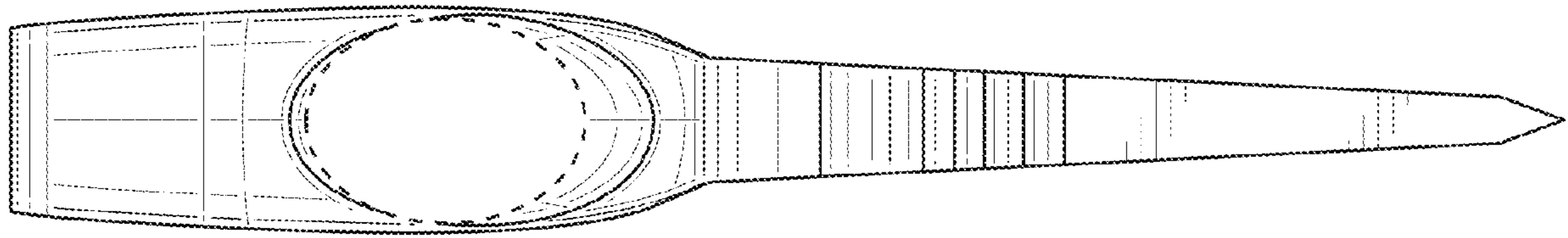


FIG. 14