



US00D928578S

(12) **United States Design Patent** (10) **Patent No.:** **US D928,578 S**  
**Zhong** (45) **Date of Patent:** **\*\* Aug. 24, 2021**

(54) **RECIPROCATING SAW** D639,130 S \* 6/2011 Ukai ..... D8/64  
D661,564 S \* 6/2012 Busschaert ..... D8/64  
(71) Applicant: **Shenzhen Allsight E-business Co.,** D674,263 S \* 1/2013 Aglassinger ..... D8/64  
**Ltd., Shenzhen (CN)** D677,542 S \* 3/2013 Baxter ..... D8/64  
D679,565 S \* 4/2013 Aglassinger ..... D8/64  
(72) Inventor: **Xiaomin Zhong, Shenzhen (CN)** D679,566 S \* 4/2013 Aglassinger ..... D8/64  
8,776,383 B2 \* 7/2014 Sergyeyenko ..... B23D 49/162  
30/371

(73) Assignee: **SHENZHEN ALLSIGHT**  
**E-BUSINESS CO., LTD., Shenzhen**  
**(CN)**

(Continued)

(\*\*) Term: **15 Years**

(21) Appl. No.: **29/710,728**

(22) Filed: **Oct. 25, 2019**

(30) **Foreign Application Priority Data**

May 9, 2019 (EM) ..... 006436119

(51) **LOC (13) Cl.** ..... **08-05**

(52) **U.S. Cl.**  
USPC ..... **D8/68; D8/64**

(58) **Field of Classification Search**  
USPC ..... D8/61, 62, 64, 65, 66, 67, 68, 69  
CPC ..... B23D 49/16; B23D 51/01; B23D 51/10;  
B23D 51/16; B25F 5/02; B26B 7/00;  
F16H 21/36

See application file for complete search history.

(56) **References Cited**

**U.S. PATENT DOCUMENTS**

D302,785 S \* 8/1989 Cunningham ..... D8/64  
D308,469 S \* 6/1990 Fushiya ..... D7/646  
D310,008 S \* 8/1990 Reiferscheid ..... D7/646  
D322,921 S \* 1/1992 Bosten ..... D8/64  
D334,522 S \* 4/1993 Ogawa ..... D8/64  
D341,536 S \* 11/1993 Fukuda ..... D8/64  
D379,291 S \* 5/1997 Bunyea ..... D8/64  
D577,556 S \* 9/2008 O'Hern ..... D8/64  
D582,739 S \* 12/2008 Aoki ..... D8/64  
D631,314 S \* 1/2011 Baxter ..... D8/64

**OTHER PUBLICATIONS**

Sarah Listi. "Hilti 12V Reciprocating Saw Review. First Look." Tool Girl's Garage., Apr. 16, 2019 [online], [retrieved on May 27, 2021]. Retrieved from the Internet <URL: <https://toolgirlsgarage.com/hilti-12v-reciprocating-saw-review/>>.\*

(Continued)

*Primary Examiner* — Darlington Ly

(57) **CLAIM**

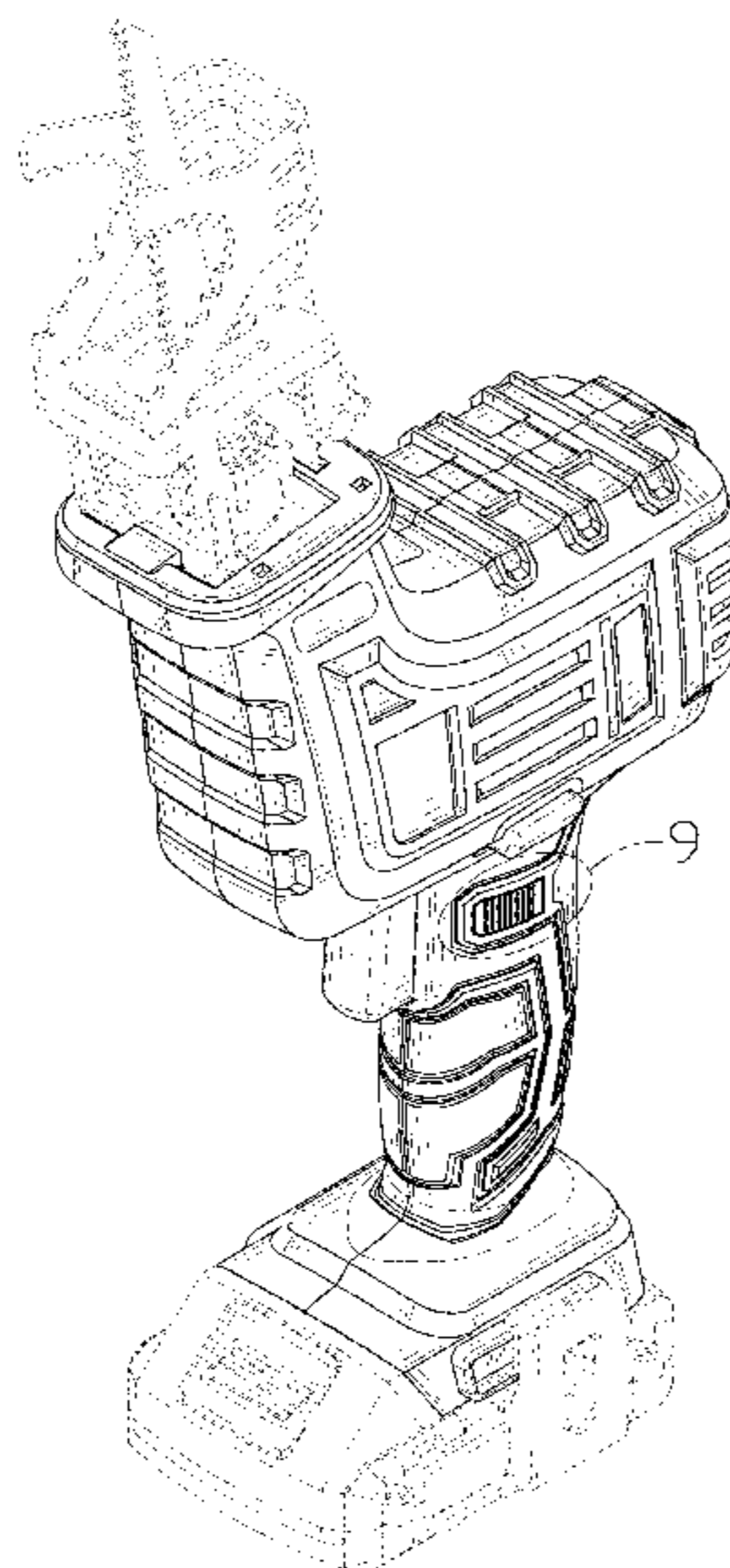
The ornamental design for a reciprocating saw, as shown and described.

**DESCRIPTION**

FIG. 1 is a front perspective view of a reciprocating saw embodying my new design;  
FIG. 2 is a rear perspective view thereof;  
FIG. 3 is a front elevation view thereof;  
FIG. 4 is a rear elevation view thereof;  
FIG. 5 is a left side elevation view thereof;  
FIG. 6 is a right side elevation view thereof;  
FIG. 7 is a top plan view thereof;  
FIG. 8 is a bottom plan view thereof; and,  
FIG. 9 is an enlarged perspective view thereof, in which the area of enlargement is indicated by reference bubble 9 in FIG. 1.

The broken lines in the drawings illustrate portions of the reciprocating saw that form no part of the claimed design.

**1 Claim, 9 Drawing Sheets**



(56)

**References Cited**

U.S. PATENT DOCUMENTS

9,132,491 B2 \* 9/2015 Alberti ..... B23D 49/162  
D807,135 S \* 1/2018 Naksen ..... D8/64  
D807,136 S \* 1/2018 Naksen ..... D8/64  
10,603,728 B2 \* 3/2020 Gall ..... B25F 5/02  
10,807,175 B1 \* 10/2020 Hsieh ..... B23D 51/18  
D906,779 S \* 1/2021 Tinius ..... D8/64  
2009/0223071 A1 \* 9/2009 Alberti ..... B23D 51/16  
30/392

OTHER PUBLICATIONS

“One-Handed Reciprocating Saw. KRS 124B-03.” Kobalt., Feb. 5, 2018 [online], [retrieved on May 27, 2021]. Retrieved from the Internet <URL: [http://pdf.lowes.com/useandcareguides/692042008436\\_use.pdf](http://pdf.lowes.com/useandcareguides/692042008436_use.pdf)>.\*

“RYOBI Operators Manual. PSBRS01.” RYOBI., May 18, 2020 [online], [retrieved on May 27, 2021]. Retrieved from the Internet <URL: [https://manuals.ttigroupna.com/system/files/11640/original/PSBRS01B\\_176\\_trilingual\\_05.pdf?2020](https://manuals.ttigroupna.com/system/files/11640/original/PSBRS01B_176_trilingual_05.pdf?2020)>.\*

\* cited by examiner

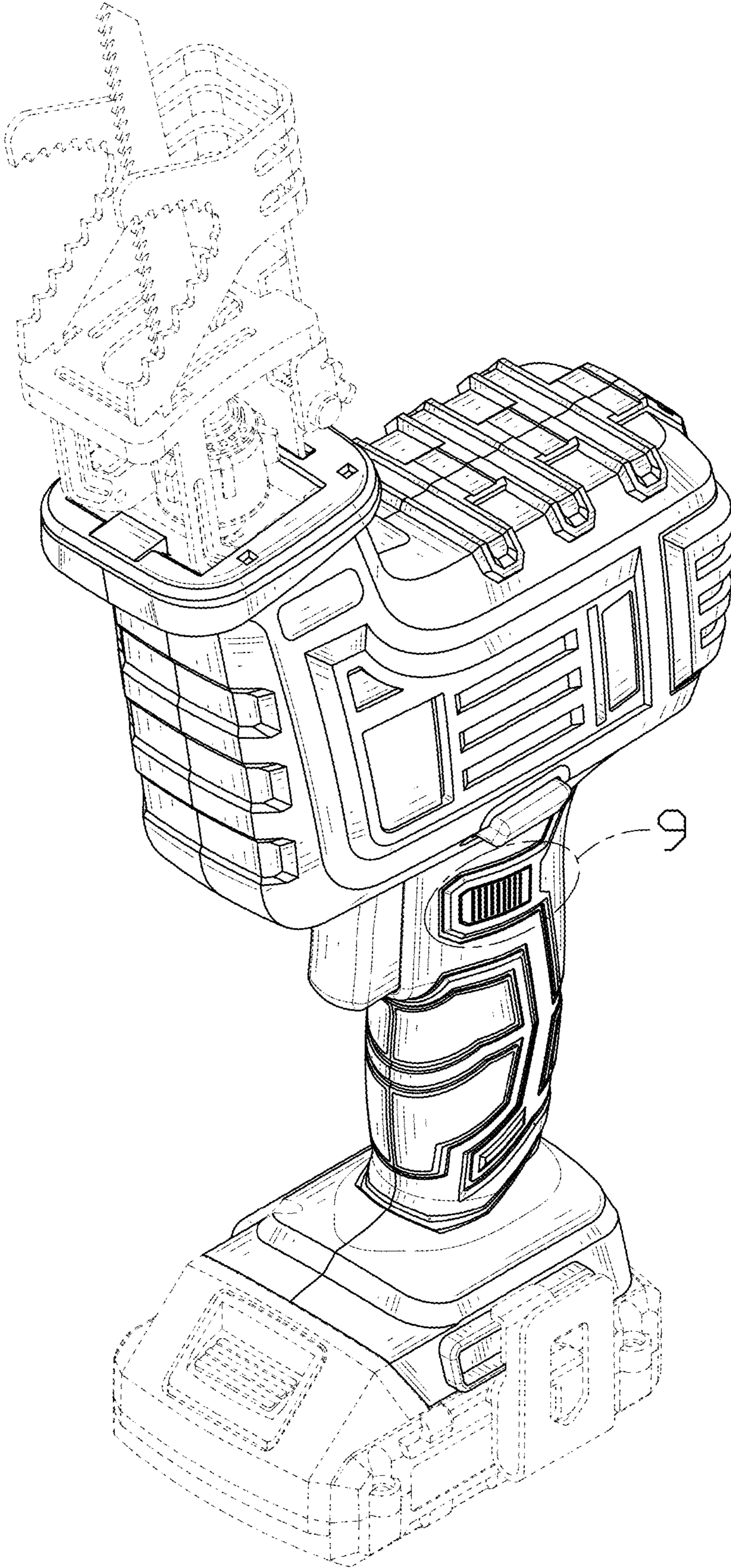


FIG. 1

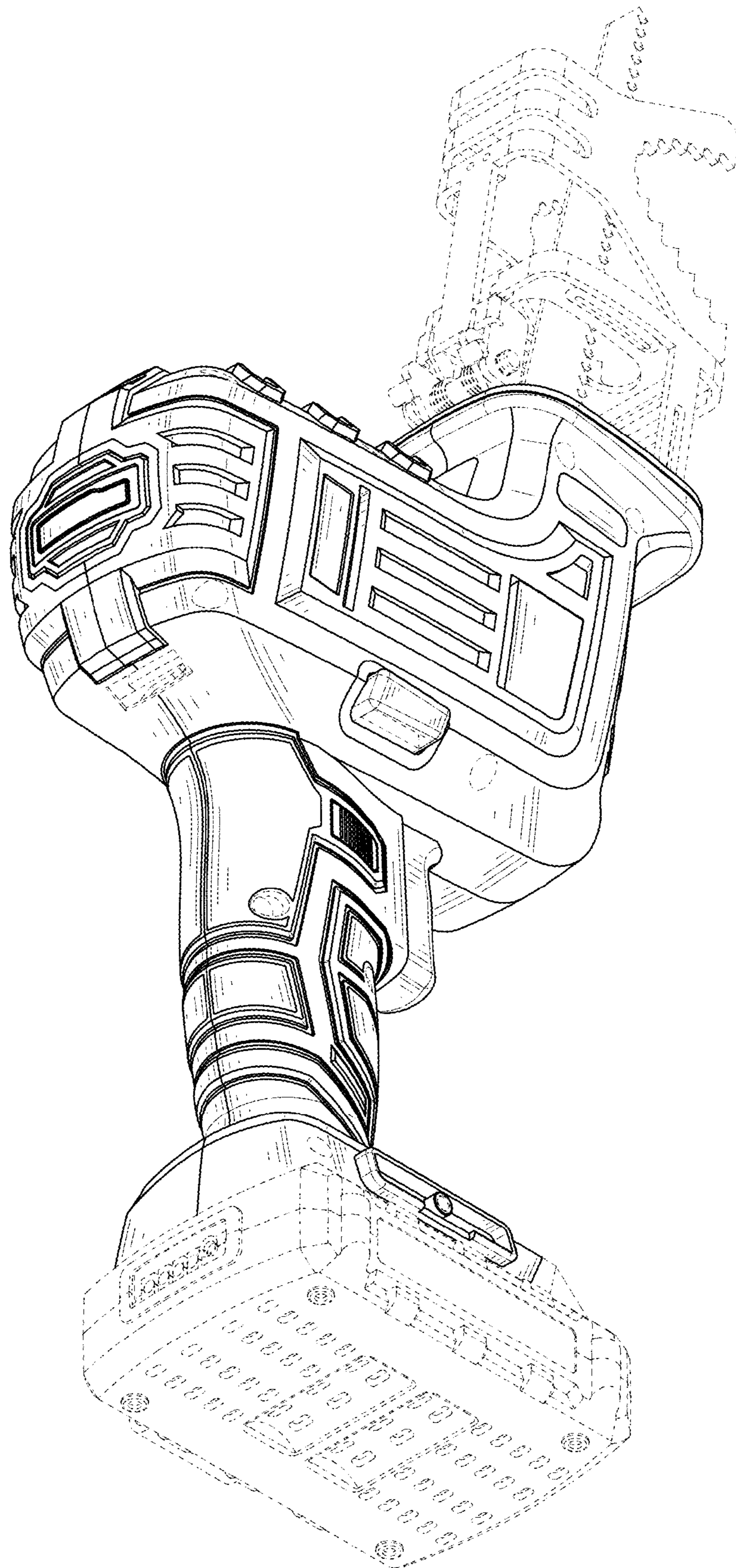


FIG. 2

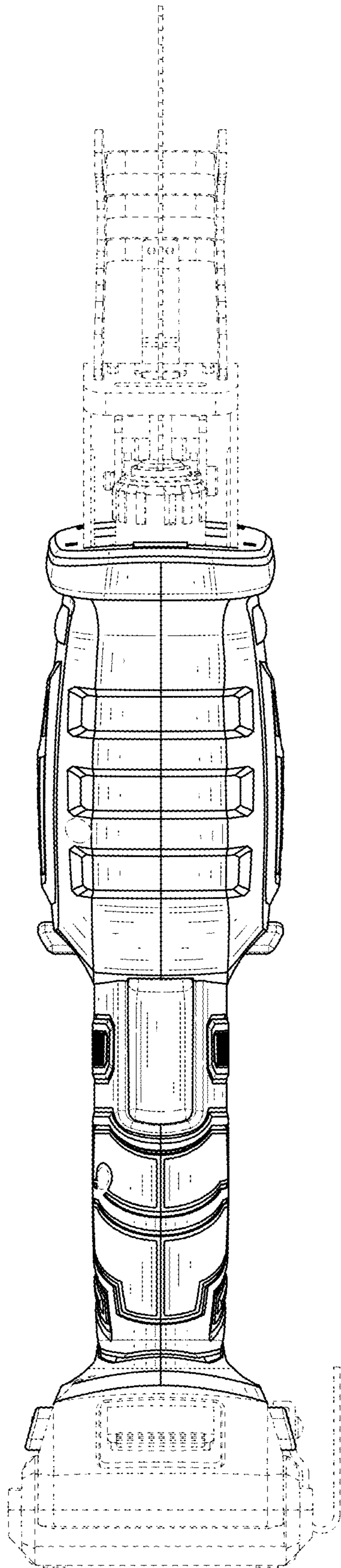


FIG. 3

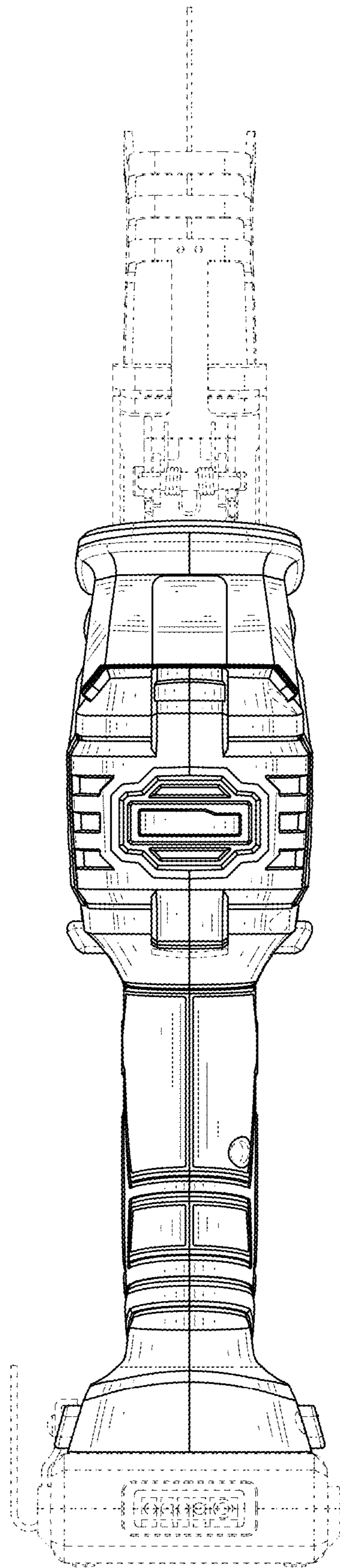


FIG. 4

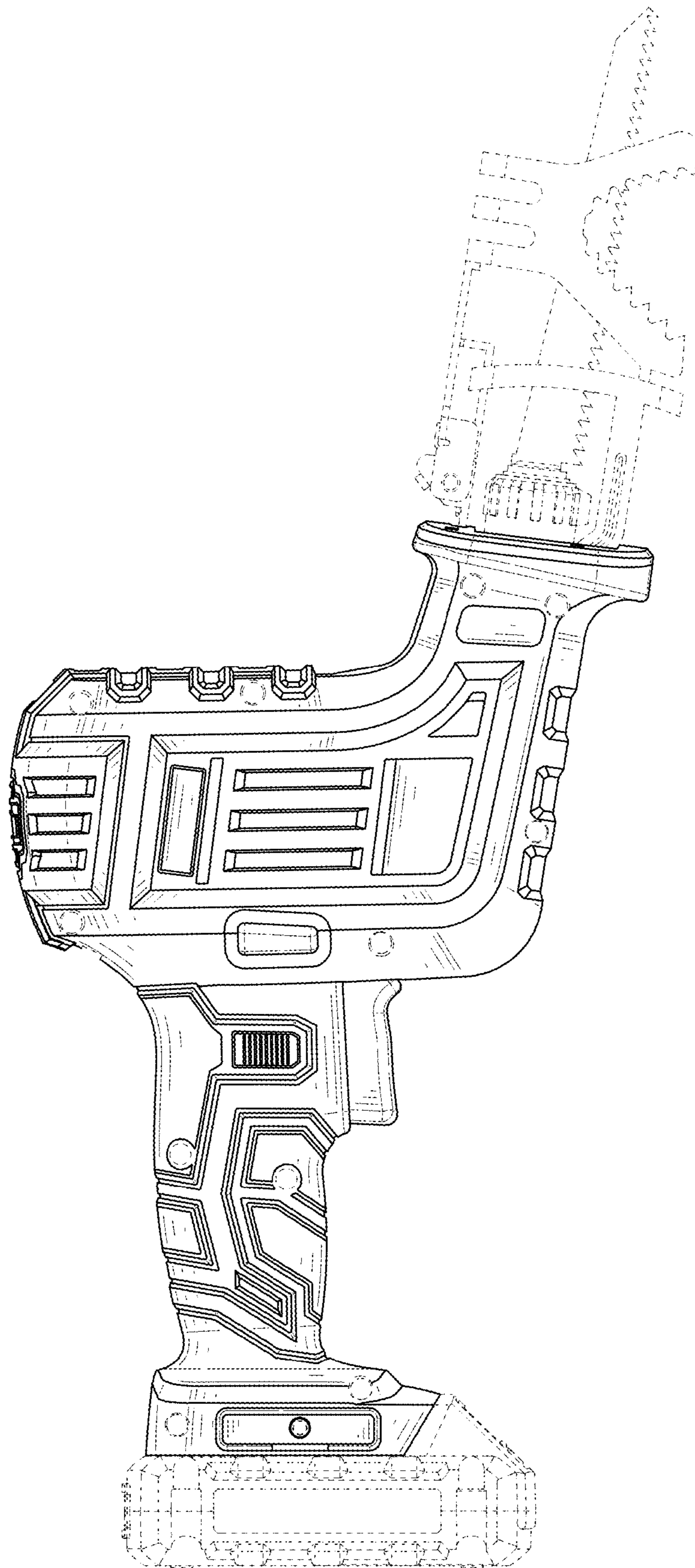


FIG. 5

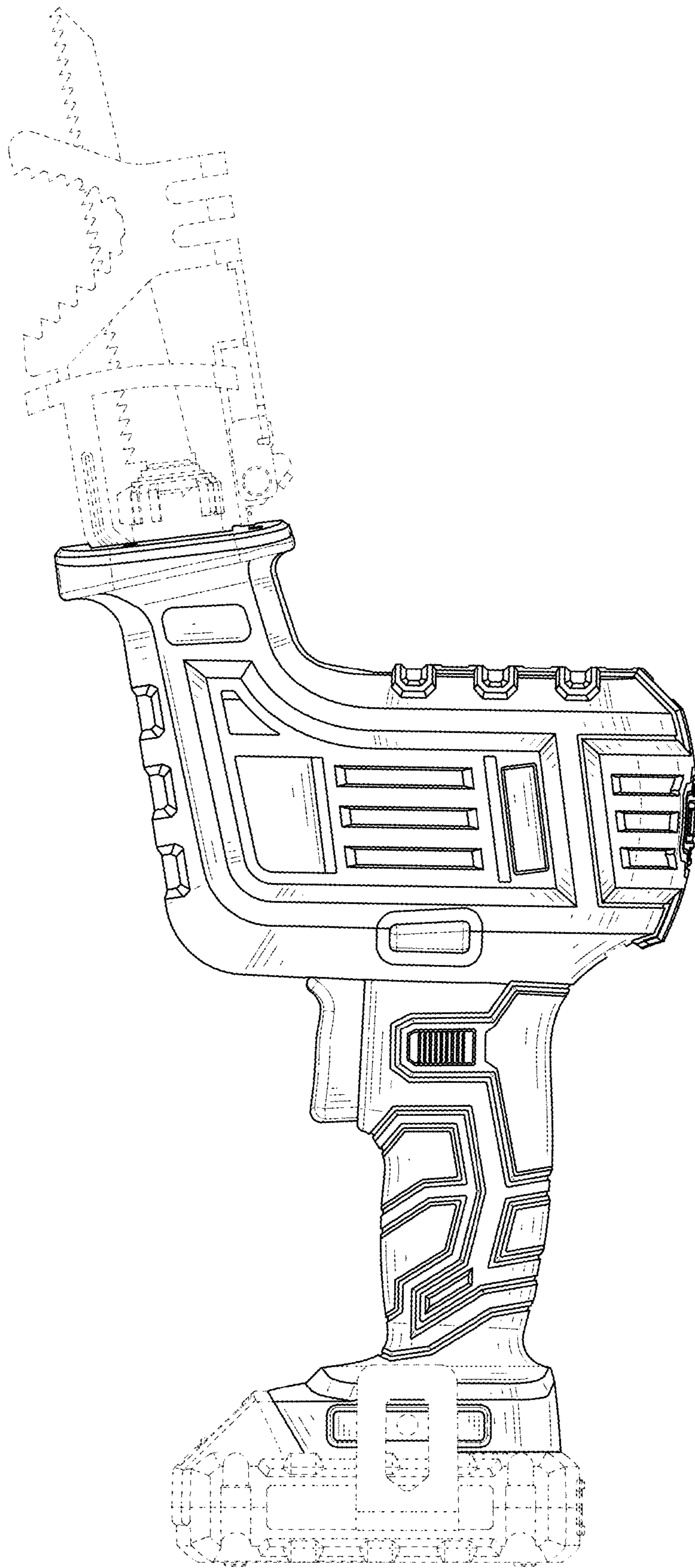


FIG. 6



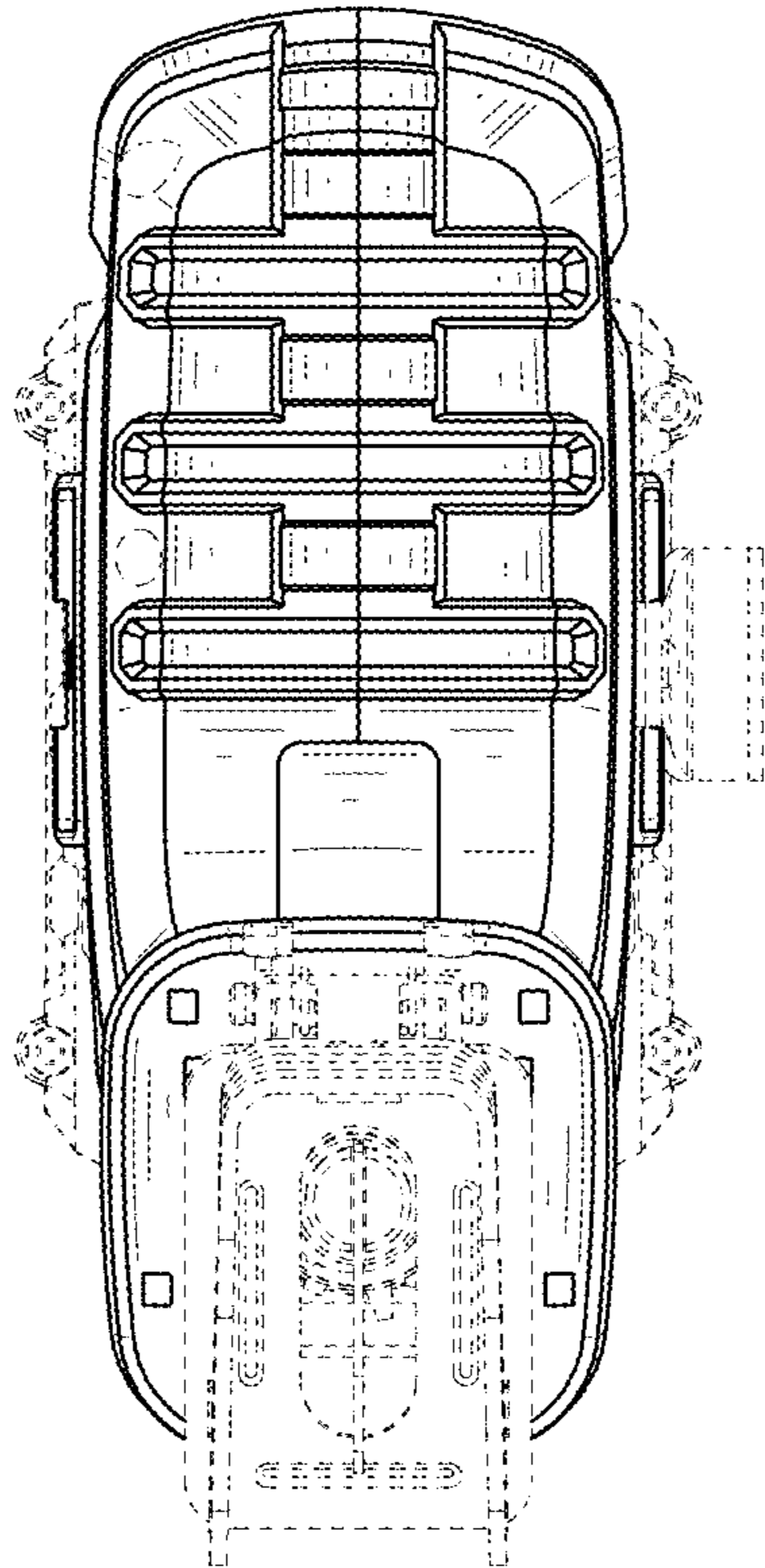


FIG. 7

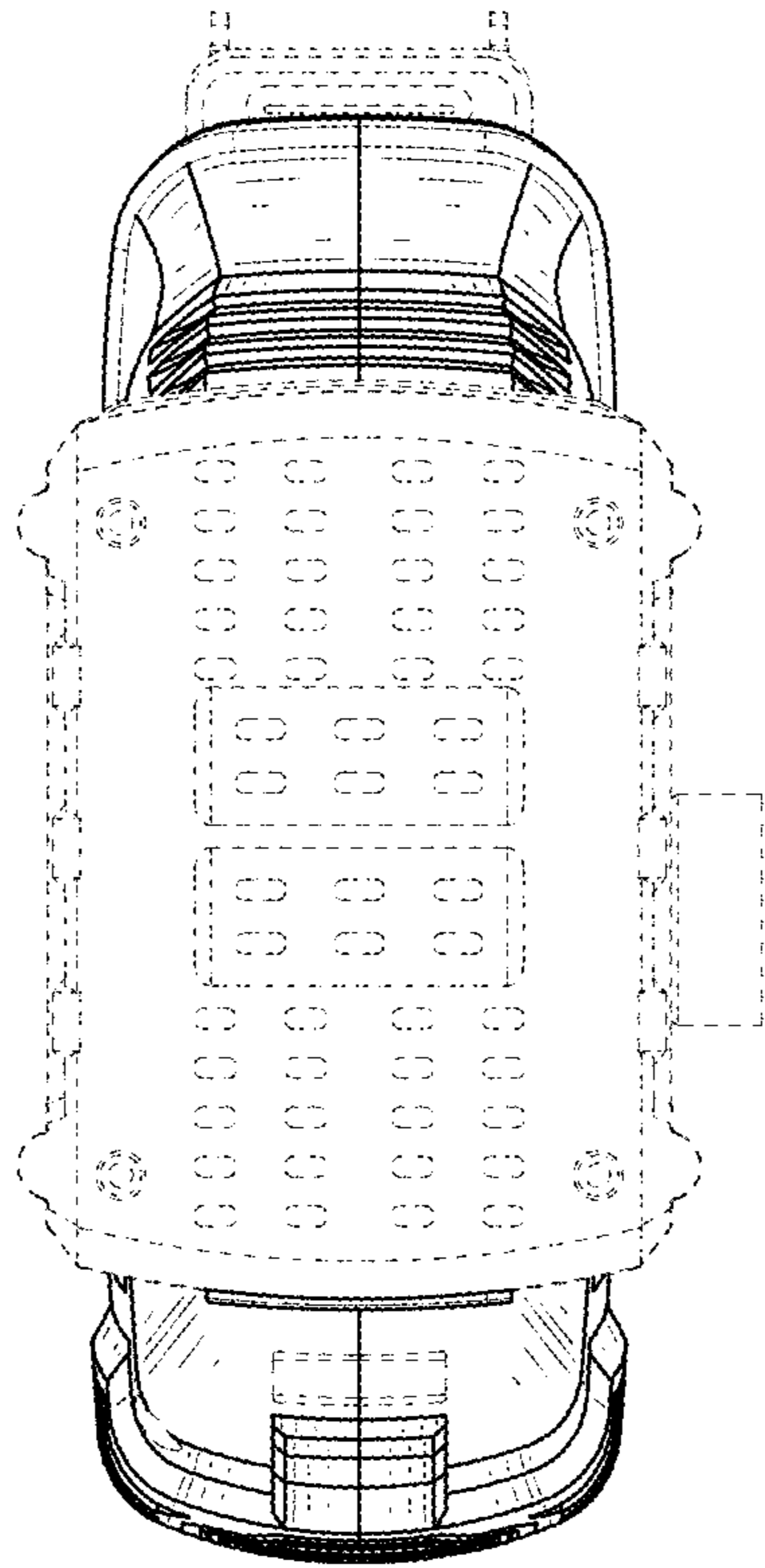


FIG. 8

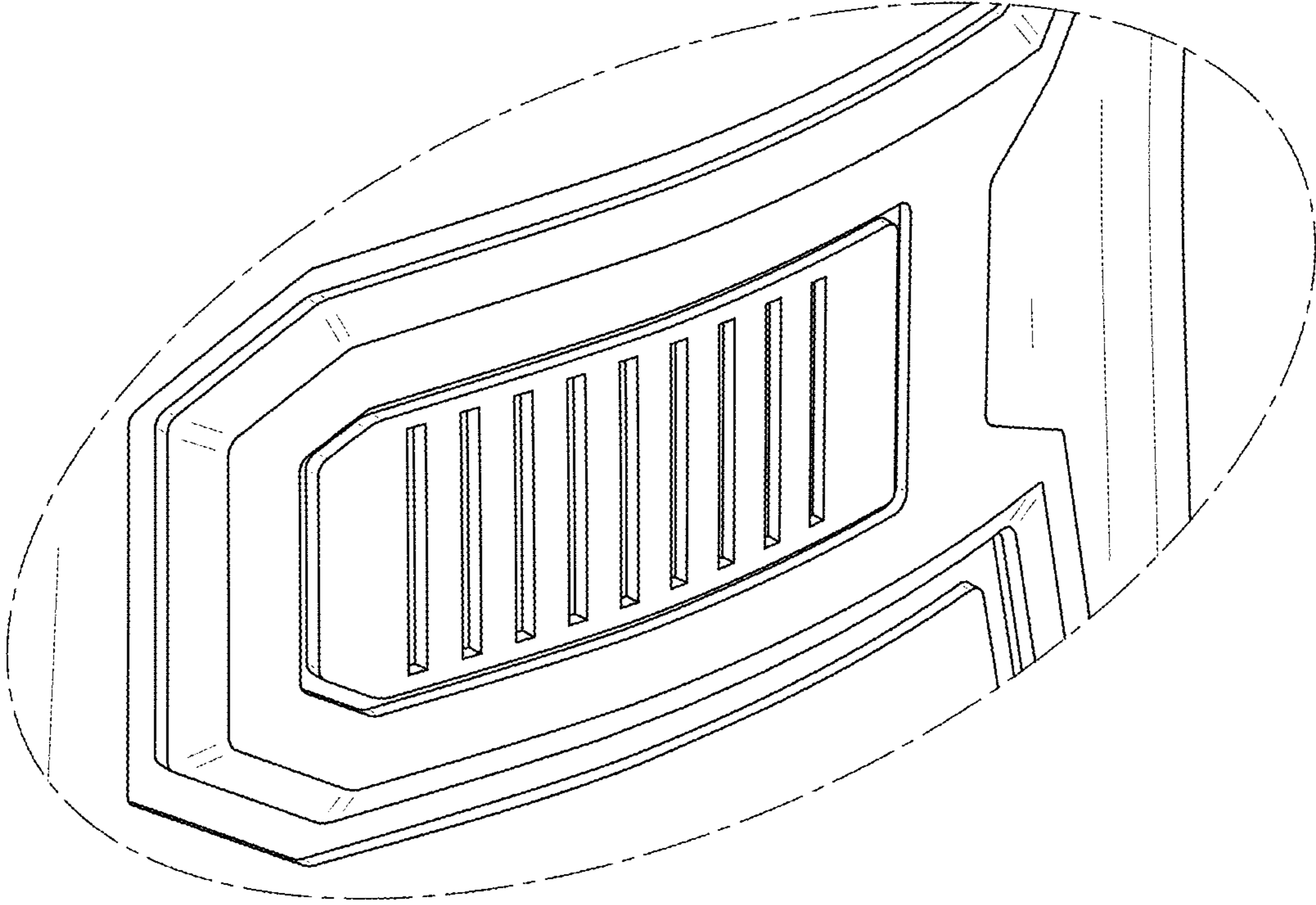


FIG. 9