



US00D928577S

(12) **United States Design Patent** (10) **Patent No.:** **US D928,577 S**
Hochstrasser (45) **Date of Patent:** **** Aug. 24, 2021**

(54) **STRAPPING DEVICE**

FOREIGN PATENT DOCUMENTS

(71) Applicant: **Signode Industrial Group LLC**,
Glenview, IL (US)

CA 2432353 A1 12/2003
CH 705745 A2 5/2013

(Continued)

(72) Inventor: **Samuel Hochstrasser**, Fällanden (CH)

OTHER PUBLICATIONS

(73) Assignee: **Signode Industrial Group LLC**,
Glenview, IL (US)

“Evaluation Report of Design Patent”, CNIPA, from corresponding
Chinese Design Patent No. 201730340255.7, dated Jul. 23, 2019.

(**) Term: **15 Years**

(Continued)

(21) Appl. No.: **29/776,933**

Primary Examiner — Patricia A Palasik

(22) Filed: **Apr. 1, 2021**

(74) *Attorney, Agent, or Firm* — Neal, Gerber &
Eisenberg LLP

Related U.S. Application Data

(63) Continuation of application No. 29/757,372, filed on
Nov. 5, 2020, now Pat. No. Des. 917,997, which is a
(Continued)

(57) **CLAIM**

The ornamental design for a strapping device, as shown and
described.

(30) **Foreign Application Priority Data**

DESCRIPTION

Jan. 30, 2017 (DE) 402017200401.5

(51) **LOC (13) Cl.** **08-05**

(52) **U.S. Cl.**
USPC **D8/61; D15/145**

(58) **Field of Classification Search**
USPC D8/41, 61, 67; D15/122, 145, 146, 199
CPC B65B 13/00; B65B 13/06; B65B 13/16;
B65B 13/18; B65B 13/32; B65B 13/285;
B65B 57/04; B65B 59/04; B65B 2210/12;
E04G 21/122; E04G 21/123
See application file for complete search history.

FIG. 1 is a front top right-side perspective view of a
strapping device of one embodiment of my new design.
FIG. 2 is a front elevational view of the strapping device of
FIG. 1.
FIG. 3 is a rear elevational view of the strapping device of
FIG. 1.
FIG. 4 is a right-side elevational view of the strapping
device of FIG. 1.
FIG. 5 is a left-side elevational view of the strapping device
of FIG. 1.
FIG. 6 is a top plan view of the strapping device of FIG. 1.
FIG. 7 is a bottom plan view of the strapping device of FIG.
1; and,
FIG. 8 is a rear bottom left-side perspective view of the
strapping device of FIG. 1.
The broken lines in the drawings showing parts of the
strapping device form no part of the claimed design.

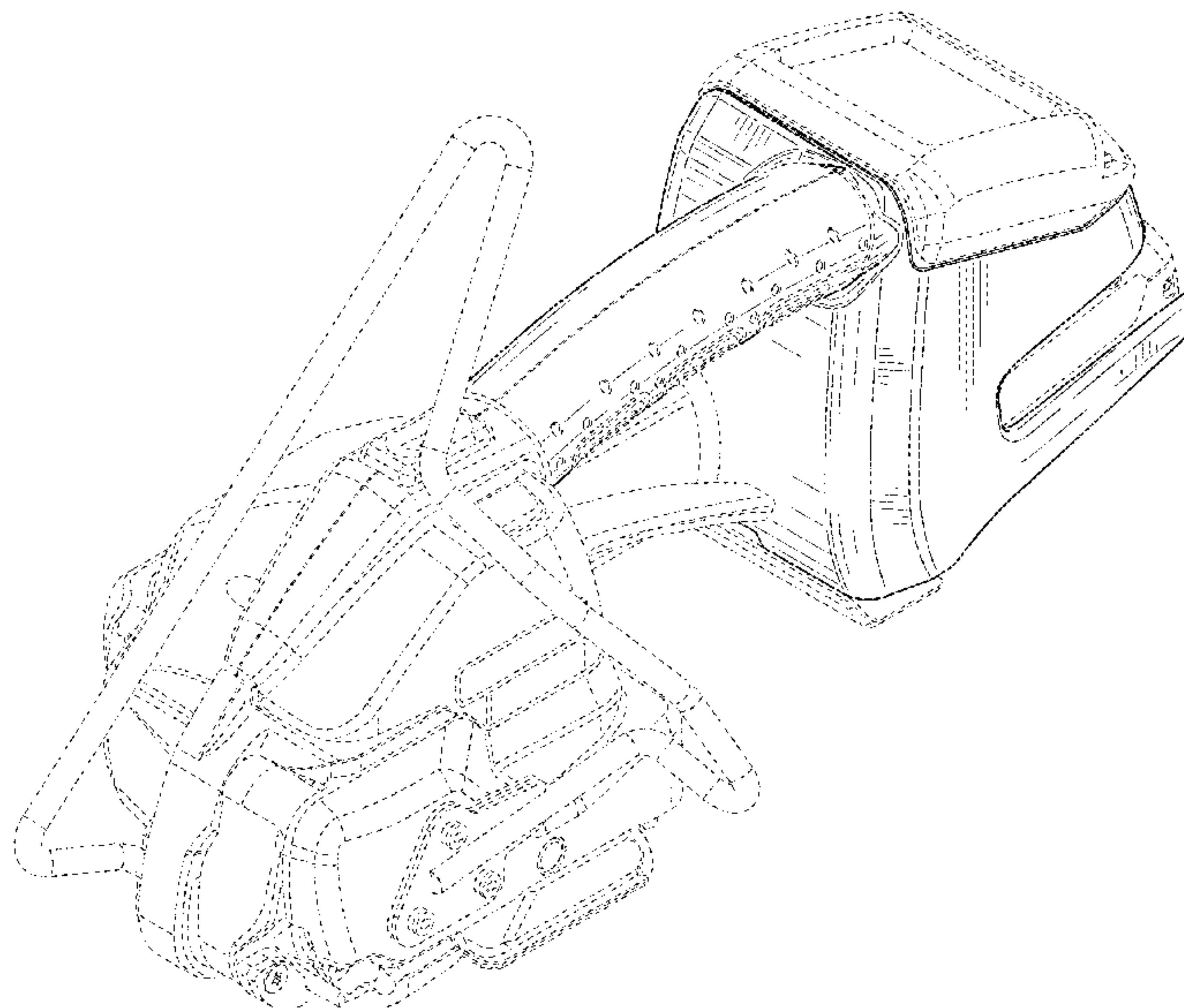
(56) **References Cited**

U.S. PATENT DOCUMENTS

2,194,108 A 3/1940 Parvin
2,707,429 A 5/1955 Leslie, II et al.

(Continued)

1 Claim, 8 Drawing Sheets



Related U.S. Application Data

continuation of application No. 29/739,016, filed on Jun. 22, 2020, now Pat. No. Des. 904,151, which is a continuation of application No. 29/722,914, filed on Feb. 3, 2020, now Pat. No. Des. 889,229, which is a continuation of application No. 29/705,106, filed on Sep. 10, 2019, now Pat. No. Des. 874,897, which is a continuation of application No. 29/598,733, filed on Mar. 28, 2017, now Pat. No. Des. 864,688.

(56)

References Cited

U.S. PATENT DOCUMENTS

3,013,589 A	12/1961	Holford	6,931,986 B1	8/2005	Liu et al.
3,120,171 A	2/1964	Hall et al.	6,955,119 B2	10/2005	Bobren et al.
3,232,217 A	2/1966	Harmon et al.	6,994,019 B1	2/2006	Liu et al.
3,367,374 A	2/1968	Meier et al.	7,011,000 B2	3/2006	Kushida et al.
3,654,033 A	4/1972	Angarola et al.	7,073,431 B1	7/2006	Chen
4,011,807 A	3/1977	Kobiella	7,121,194 B2	10/2006	Pearson et al.
4,015,643 A	4/1977	Cheung	D546,852 S	7/2007	Shimojima
4,050,372 A	9/1977	Kobiella	7,240,612 B1	7/2007	Kirar et al.
4,240,865 A	12/1980	Kyts	7,249,862 B2	7/2007	Shirane
4,313,779 A	2/1982	Nix	7,263,928 B1	9/2007	Holden et al.
4,450,032 A	5/1984	Wehr	7,270,054 B2	9/2007	Bobren et al.
4,495,972 A	1/1985	Walker	7,270,055 B1	9/2007	Haberstroh et al.
4,502,911 A	3/1985	Discavage	7,312,609 B2	12/2007	Schmollngruber et al.
4,534,817 A	8/1985	O'Sullivan	7,454,877 B2	11/2008	Morrison
4,535,730 A	8/1985	Allen	7,456,608 B2	11/2008	Kageler et al.
4,572,064 A	2/1986	Burton	D629,321 S	12/2010	Neeser et al.
4,707,390 A	11/1987	Cheung	7,861,649 B2	1/2011	Bobren et al.
4,724,659 A	2/1988	Mori et al.	D651,498 S	1/2012	Neeser et al.
D295,525 S	5/1988	Sakaki et al.	D653,923 S	2/2012	Neeser et al.
4,776,905 A	10/1988	Cheung et al.	D654,178 S	2/2012	Antonio et al.
D307,435 S	4/1990	Sakaki et al.	8,198,839 B2	6/2012	Katou et al.
D308,977 S	7/1990	Sakaki	8,378,600 B2	2/2013	Katou et al.
5,133,532 A	7/1992	Figiel et al.	8,522,678 B2	9/2013	Liu et al.
5,146,847 A	9/1992	Lyon et al.	8,607,695 B2	12/2013	Schwede
5,155,982 A	10/1992	Boek et al.	8,689,684 B2	4/2014	Haberstroh et al.
5,159,218 A	10/1992	Murry et al.	8,931,404 B2	1/2015	Lai
5,267,508 A	12/1993	Yoshino	8,931,405 B2	1/2015	Lai
5,379,576 A	1/1995	Koyama	8,967,217 B2	3/2015	Gardner et al.
5,516,022 A	5/1996	Annis	9,174,752 B2	11/2015	Neeser et al.
5,651,306 A	7/1997	Hoshino	9,193,486 B2	11/2015	Neeser et al.
5,689,943 A	11/1997	Wehr	9,254,932 B2	2/2016	Neeser et al.
5,690,023 A	11/1997	Stamm et al.	9,284,080 B2	3/2016	Neeser et al.
5,798,596 A	8/1998	Lordo	9,315,283 B2	4/2016	Neeser et al.
5,809,873 A	9/1998	Chak et al.	9,745,090 B2	8/2017	Haberstroh et al.
5,944,064 A	8/1999	Saito et al.	9,932,135 B2	4/2018	Finzo et al.
6,003,578 A	12/1999	Chang	10,322,830 B2	6/2019	Höhn et al.
D424,078 S	5/2000	Chin-Chang	D864,688 S	10/2019	Hochstrasser
6,109,325 A	8/2000	Chang	D874,897 S	2/2020	Hochstrasser
6,308,760 B1	10/2001	Finzo et al.	D889,229 S	7/2020	Hochstrasser
6,332,306 B1	12/2001	Finzo et al.	D904,151 S	12/2020	Hochstrasser
6,367,732 B1	4/2002	Bobren et al.	D917,997 S *	5/2021	Hochstrasser D8/61
6,405,766 B1	6/2002	Benjey	2002/0100146 A1	8/2002	Ko
6,463,721 B1	10/2002	Su et al.	2002/0129717 A1	9/2002	Helland et al.
6,516,715 B1	2/2003	Reiche	2002/0134811 A1	9/2002	Napier et al.
6,543,341 B2	4/2003	Lopez	2003/0010223 A1	1/2003	Lopez
6,568,159 B2	5/2003	Kawai et al.	2003/0024217 A1	2/2003	Schwede et al.
6,578,337 B2	6/2003	Scholl et al.	2003/0025610 A1	2/2003	Helmrich
6,606,766 B2	8/2003	Ko	2003/0145900 A1	8/2003	Jensen et al.
6,644,713 B2	11/2003	Del et al.	2004/0206251 A1	10/2004	Nix
6,711,883 B2	3/2004	Schwede et al.	2004/0237806 A1	12/2004	Sickels
D488,822 S	4/2004	Shibazaki et al.	2004/0244605 A1	12/2004	Pearson et al.
6,715,375 B2	4/2004	Nestler	2004/0255562 A1	12/2004	Haberstroh et al.
6,729,357 B2	5/2004	Marsche	2004/0255797 A1	12/2004	Bobren et al.
6,732,638 B1	5/2004	Rometty et al.	2005/0279198 A1	12/2005	Kushida et al.
6,745,678 B1	6/2004	Liu et al.	2006/0108180 A1	5/2006	Grach et al.
6,786,026 B2	9/2004	Helmrich	2006/0192527 A1	8/2006	Kageler et al.
6,789,469 B1	9/2004	Tipton et al.	2007/0163452 A1	7/2007	Bobren et al.
6,817,159 B2	11/2004	Sakaki et al.	2008/0072539 A1	3/2008	Morrison
6,820,402 B1	11/2004	Haberstroh et al.	2009/0013656 A1	1/2009	Nasiatka et al.
6,857,252 B2	2/2005	Haberstroh et al.	2009/0114308 A1	5/2009	Nelson et al.
6,877,420 B2	4/2005	Sickels	2010/0154661 A1	6/2010	Bobren et al.
6,918,235 B2	7/2005	Nix	2011/0056389 A1	3/2011	Neeser et al.
			2011/0056390 A1	3/2011	Neeser et al.
			2011/0056391 A1	3/2011	Neeser et al.
			2011/0056392 A1	3/2011	Neeser et al.
			2011/0100233 A1	5/2011	Neeser et al.
			2011/0146505 A1	6/2011	Schwede
			2011/0253480 A1	10/2011	Goodman et al.
			2012/0017780 A1	1/2012	Haberstroh et al.
			2012/0160364 A1	6/2012	Katou et al.
			2012/0210682 A1	8/2012	Gardner et al.
			2012/0216688 A1	8/2012	Liu et al.
			2013/0014653 A1	1/2013	Lai
			2013/0014654 A1	1/2013	Lai
			2013/0098252 A1	4/2013	Haberstroh et al.
			2013/0276415 A1	10/2013	Haberstroh et al.
			2014/0083310 A1	3/2014	Hoehn et al.

(56)

References Cited

U.S. PATENT DOCUMENTS

2014/0290179 A1 10/2014 Keller
 2015/0210411 A1 7/2015 Finzo et al.
 2016/0107775 A1 4/2016 Amacker et al.

FOREIGN PATENT DOCUMENTS

CN 1151129 A 6/1997
 CN 2266566 Y 11/1997
 CN 1203878 A 1/1999
 CN 1253099 A 5/2000
 CN 3260241 D 10/2002
 CN 1418163 A 5/2003
 CN 1558842 A 12/2004
 CN 1660675 A 8/2005
 CN 3534469 D 6/2006
 CN 1859999 A 11/2006
 CN 101134308 A 3/2008
 CN 101164416 A 4/2008
 CN 101287578 A 10/2008
 CN 101486329 A 7/2009
 CN 301044699 D 10/2009
 CN 201411061 Y 2/2010
 CN 101678903 A 3/2010
 CN 301199818 S 5/2010
 CN 101870367 A 10/2010
 CN 301492534 S 3/2011
 CN 102026873 A 4/2011
 CN 102026874 A 4/2011
 CN 102026875 A 4/2011
 CN 202100012 U 1/2012
 CN 302836585 S 6/2014
 CN 303949899 S 11/2016
 CN 303979302 S 12/2016
 DE 3916355 A1 12/1989
 DE 4014305 A1 11/1991
 DE 19751861 A1 1/1999
 DE 10026200 A1 11/2001
 DE 20321137 U1 1/2006
 DE 102005049130 A1 4/2007
 DE 102006007990 A1 8/2007
 DE 102009047443 A1 6/2011
 DE 202011050797 U1 11/2011
 EP 0095643 A2 12/1983
 EP 0480627 A1 4/1992
 EP 0603868 A1 6/1994
 EP 0659525 A2 6/1995
 EP 0744343 A1 11/1996
 EP 0949146 A1 10/1999
 EP 0997377 A1 5/2000
 EP 0999133 A1 5/2000
 EP 1177978 A1 2/2002
 EP 1316506 A1 6/2003
 EP 1413519 A1 4/2004
 EP 1837279 A1 9/2007
 EP 2271553 B1 4/2013
 GB 1161827 A 8/1969
 GB 2041869 A 9/1980
 GB 2481724 A 1/2012
 JP S5290398 U 7/1977
 JP S541238 B1 1/1979
 JP S5638220 A 4/1981
 JP S6322320 A 1/1988
 JP H05198241 A 8/1993
 JP H07300108 A 11/1995
 JP H08258808 A 10/1996
 JP H08324506 A 12/1996

JP H09283103 A 10/1997
 JP 3044132 B2 5/2000
 JP 2000128113 A 5/2000
 JP 2000128115 A 5/2000
 JP 3227693 B2 9/2001
 JP 3242081 B2 10/2001
 JP 2002235830 A 8/2002
 JP 2003170906 A 6/2003
 JP 2003231291 A 8/2003
 JP 2003348899 A 12/2003
 JP 3548622 B2 4/2004
 JP 2004108593 A 4/2004
 JP 2004241150 A 8/2004
 JP 2004323111 A 11/2004
 JP 2007276042 A 10/2007
 JP 4406016 B2 11/2009
 KR 840002211 B1 12/1984
 KR 20000029337 A 5/2000
 RU 1772784 C 10/1992
 RU 2118277 C1 8/1998
 RU 2161773 C2 1/2001
 RU 2004115639 A 1/2006
 RU 2355821 C1 5/2009
 SU 1134117 A3 1/1985
 WO 0189929 A1 11/2001
 WO 2006048738 A1 5/2006
 WO 2007116914 A1 10/2007
 WO 2009129633 A1 10/2009
 WO 2009129636 A1 10/2009

OTHER PUBLICATIONS

“Orgapack ORT-250 Automatic Sealless Combo Strapping Tool”, located online at www.uline.com/Product/Detail/H-2385/Poly-Strapping_Tools/Orgapack-ORT-250-Automatic-Sealless-Combo-Strapping-Tool.com, available prior to Jan. 30, 2017 (1 page).
 Bender, “Lithium Ion Technology: Shaping Power Tool”, Air Conditioning, Heating, and Refrigeration News, vol. 228, Issue 14, p. 18 (3 pages), Jul. 31, 2006.
 Emandi, Ali, “Brushless DC Motor Drives”, Energy-Efficient Electrical Motors, 3rd ed., Para. 270-272, CRC Press & Marcel Dekker (3 pages).
 Orgapack GmbH, “OR-T 100, Battery-Hand Tool For Plastic Strapping”, Operating and Safety Instructions (53 pages), Nov. 1, 2004.
 Orgapack GmbH, “OR-T 120, Battery-Operated Hand Tool for Plastic Strapping”, Operating Instructions (36 pages), Sep. 1, 2012.
 Orgapack GmbH, “OR-T 200, Battery-Hand Tool for Plastic Strapping”, Operating and Safety Instructions (53 pages), Feb. 1, 2004.
 Orgapack GmbH, “OR-T 250, Battery-Hand Tool for Plastic Strapping”, Operating Instructions (36 pages), Sep. 1, 2009.
 Orgapack GmbH, “OR-T 300, Battery-Hand Tool For Plastic Strapping”, Operating and Safety Instructions (53 pages), Mar. 1, 2005.
 Orgapack GmbH, “OR-T 400, Battery-Hand Tool for Plastic Strapping”, Operating Instructions (19 pages), Sep. 1, 2009.
 Orgapack GmbH, “OR-T 50, Hand Tool for Plastic Strapping”, Operating and Safety Instructions (53 pages), May 1, 2006.
 Orgapack GmbH, “OR-T 83, Hand Tool for Plastic Strapping”, Operating Instructions (58 pages), Aug. 1, 2000.
 Orgapack GmbH, “OR-T 85, Hand Tool for Plastic Strapping”, Operating Instructions (58 pages), Jun. 1, 2000.
 Orgapack GmbH, “OR-T 86, Hand Tool for Plastic Strapping”, Operating Instructions (58 pages), Aug. 1, 1999.
 Orgapack GmbH, “OR-T 87, Hand Tool for Plastic Strapping”, Operating and Safety Instructions (63 pages), May 1, 2002.

* cited by examiner

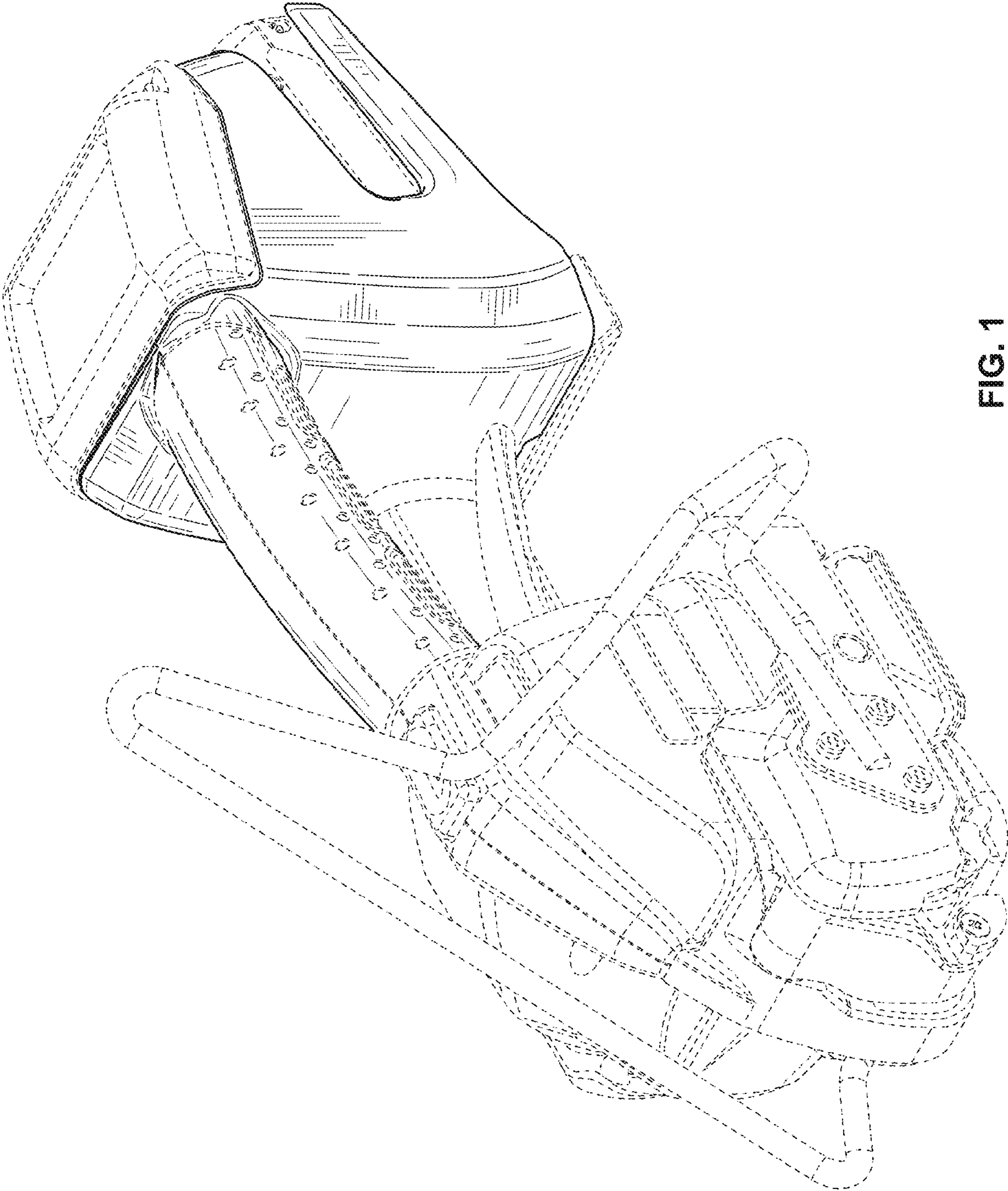


FIG. 1

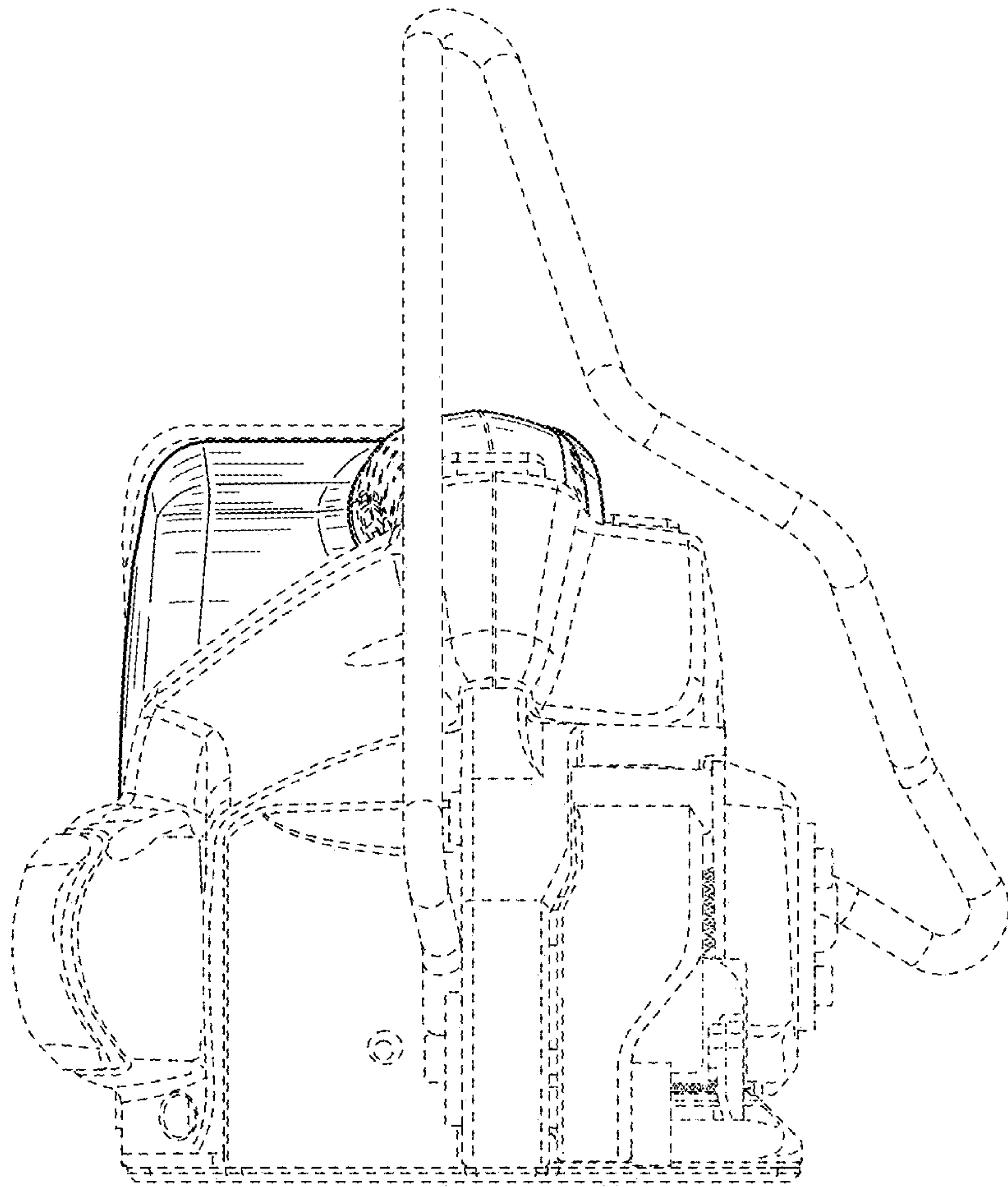


FIG. 2

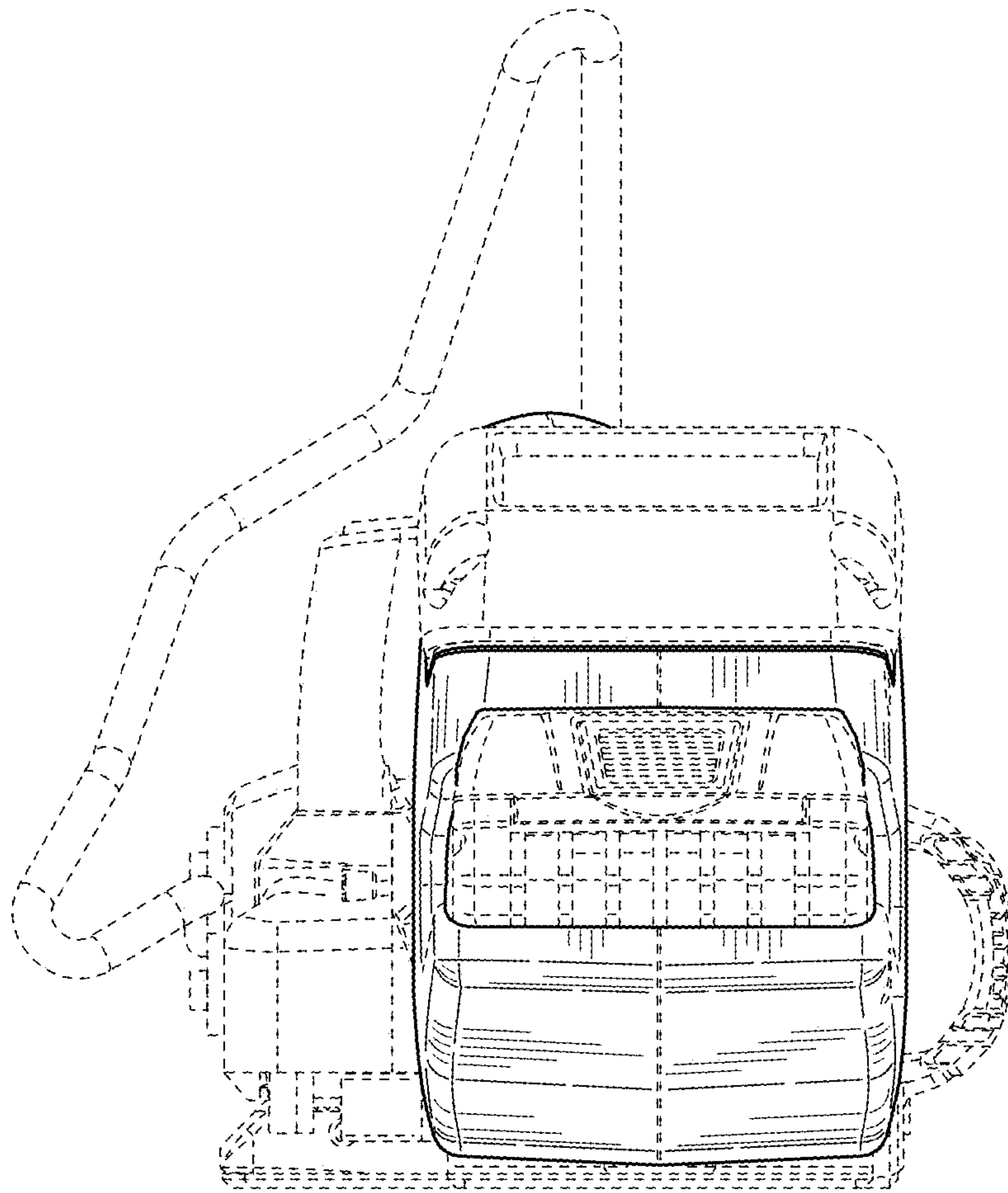


FIG. 3

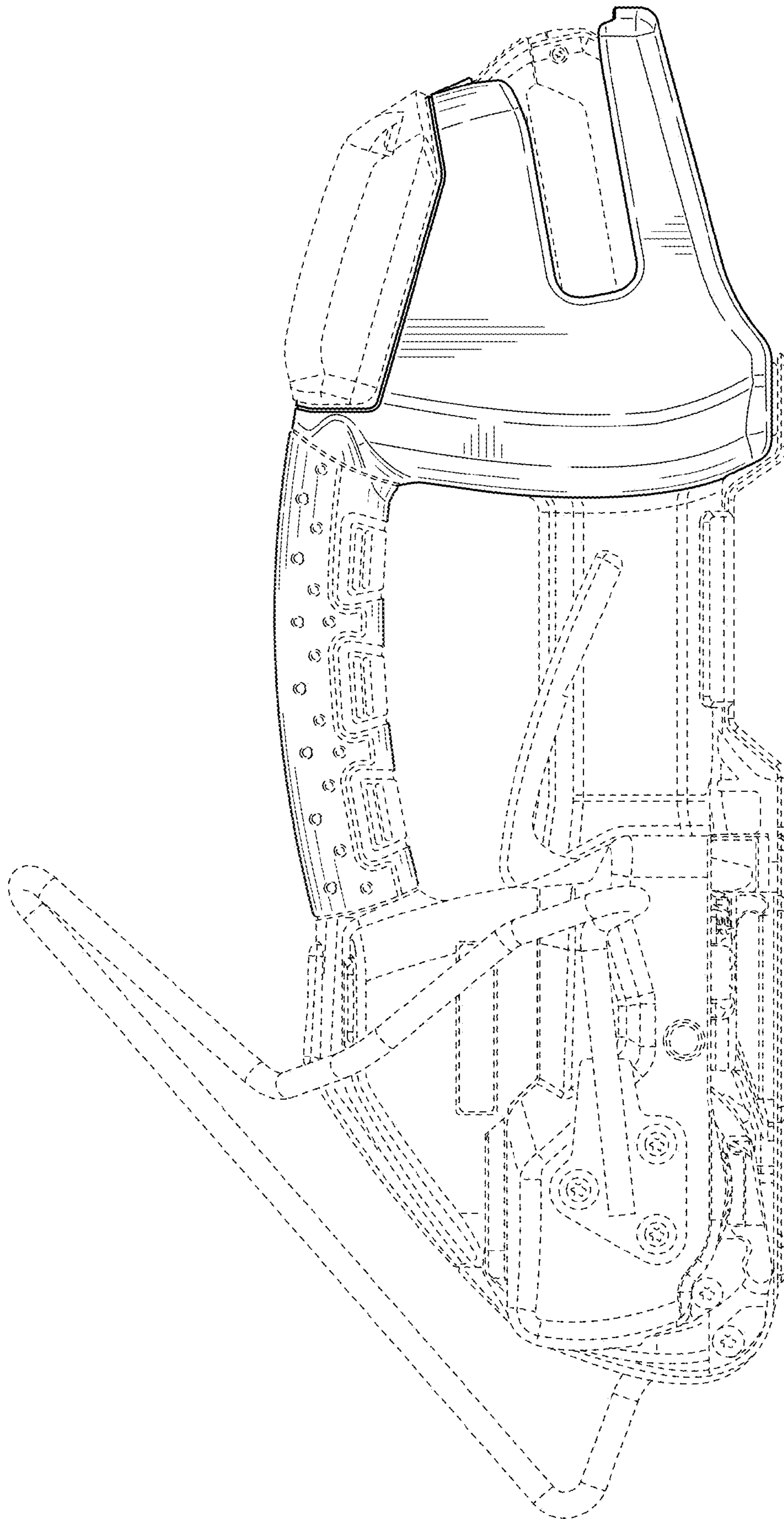


FIG. 4

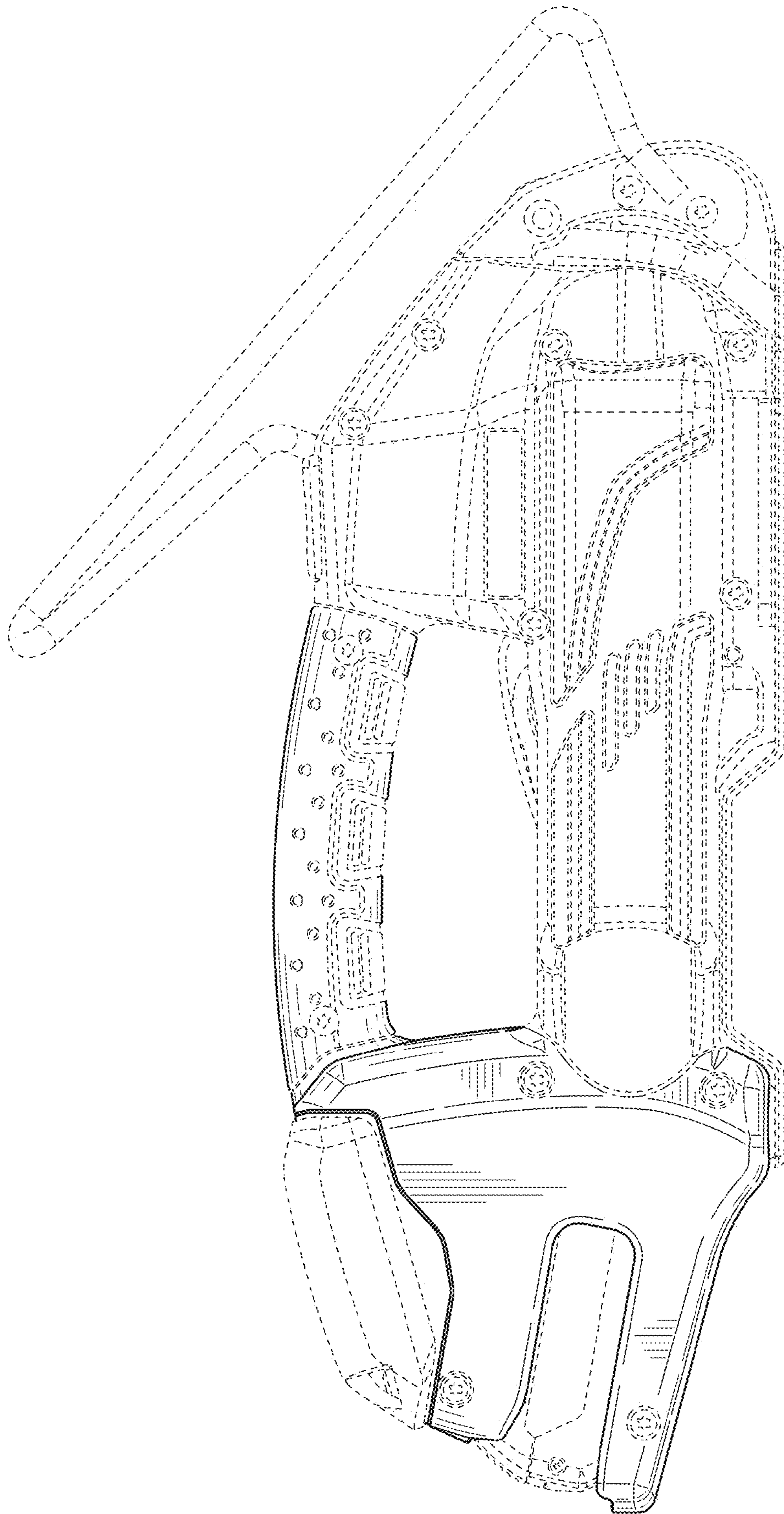


FIG. 5

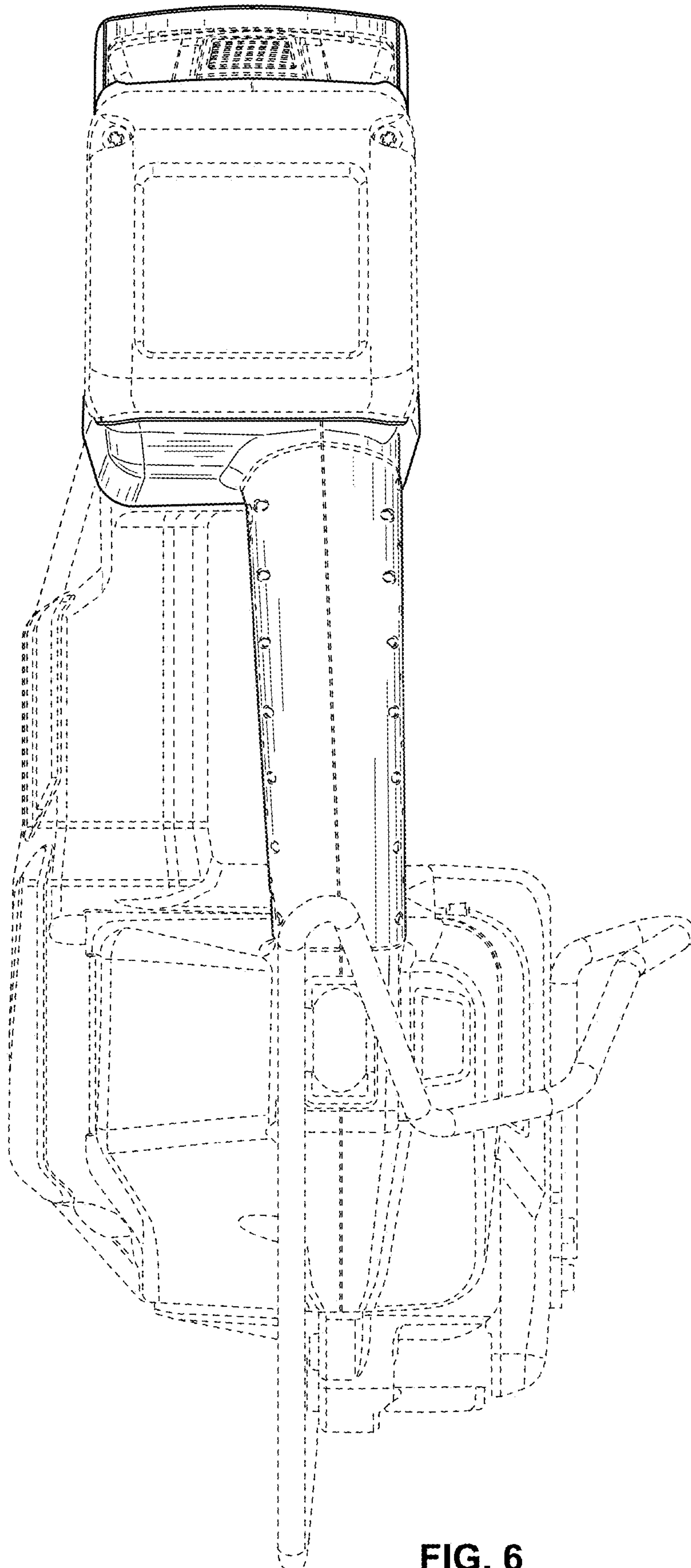


FIG. 6

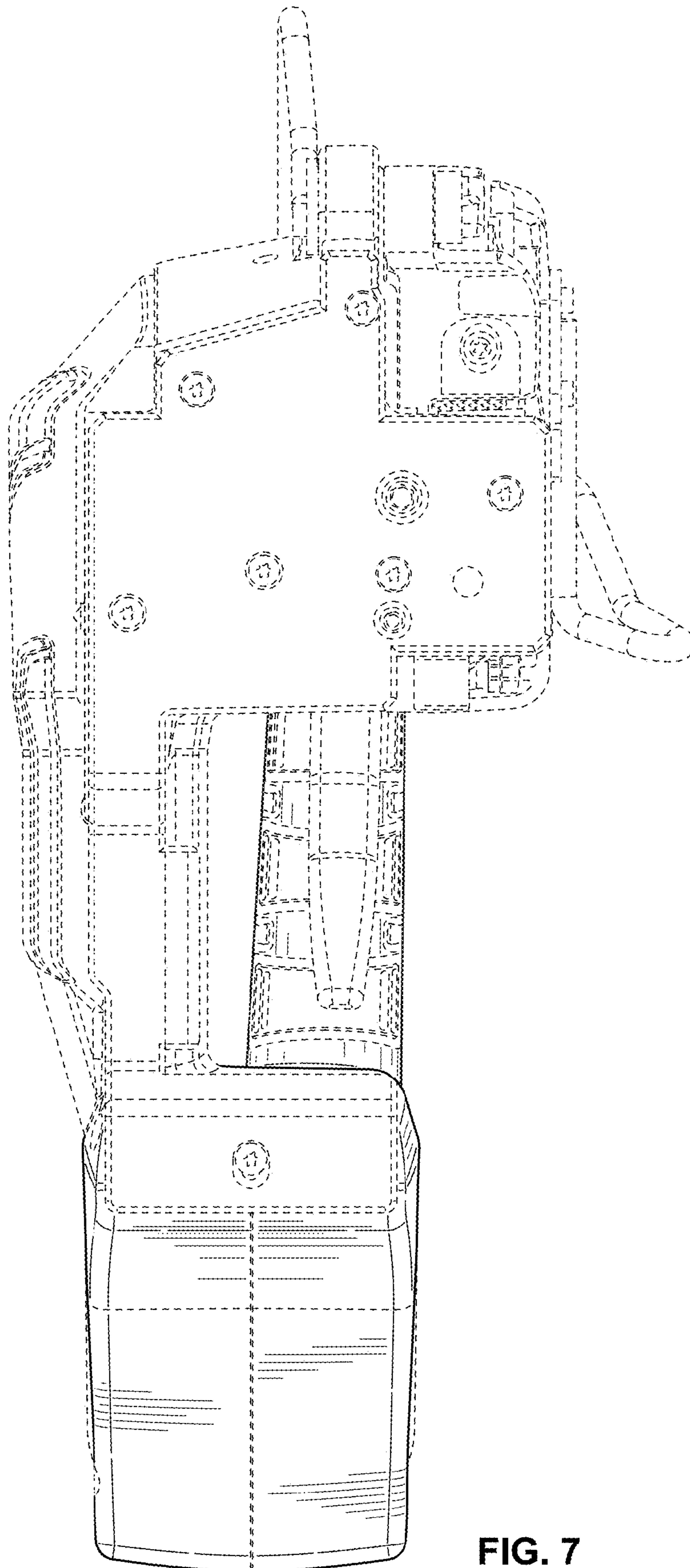


FIG. 7

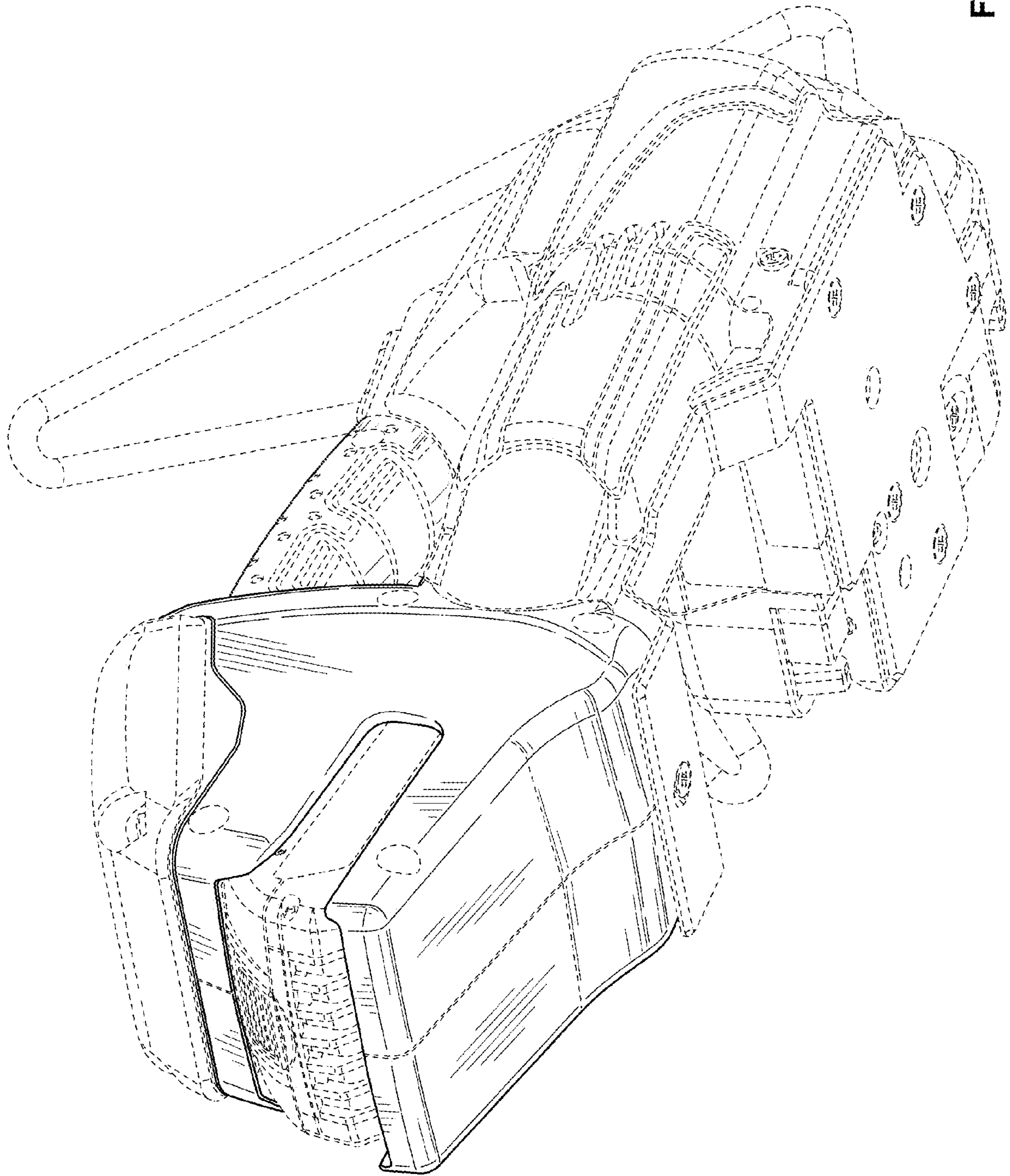


FIG. 8