



US00D928576S

(12) **United States Design Patent** (10) **Patent No.:** **US D928,576 S**  
**Lee** (45) **Date of Patent:** **\*\* Aug. 24, 2021**

(54) **SCREWDRIVER**  
(71) Applicant: **The Hive co., Ltd**, Busan (KR)  
(72) Inventor: **Sang Min Lee**, Busan (KR)  
(73) Assignee: **The Hive co., Ltd**, Busan (KR)  
(\*\*) Term: **15 Years**

D663,180 S \* 7/2012 Jerome ..... D8/61  
D720,196 S \* 12/2014 Hsiao ..... D8/61  
D755,032 S \* 5/2016 Martinez ..... D8/61  
D865,469 S \* 11/2019 Houghton ..... D8/61  
D865,470 S \* 11/2019 Houghton ..... D8/61  
D913,066 S \* 3/2021 Wang ..... D8/61  
2010/0139432 A1 \* 6/2010 Steckel ..... B25B 23/1425  
74/412 TA

\* cited by examiner

(21) Appl. No.: **29/723,470**  
(22) Filed: **Feb. 7, 2020**

*Primary Examiner* — Philip S Hyder  
(74) *Attorney, Agent, or Firm* — Bayramoglu Law Offices LLC

(30) **Foreign Application Priority Data**

Jan. 17, 2020 (KR) ..... 30-2020-0002305

(51) **LOC (13) Cl.** ..... **08-01**  
(52) **U.S. Cl.**  
USPC ..... **D8/61**

(58) **Field of Classification Search**  
USPC ..... D8/14, 51, 61, 82, 83, 84, 85, 107  
CPC ..... B25B 21/00; B25B 21/02; B25B 21/008;  
B25B 23/16; B25B 23/1405; A61B  
17/1615  
See application file for complete search history.

(56) **References Cited**

**U.S. PATENT DOCUMENTS**

D310,160 S \* 8/1990 Patel ..... D8/61  
D363,420 S \* 10/1995 Warner ..... D8/61  
D439,978 S \* 4/2001 Ark ..... D24/140  
D528,385 S \* 9/2006 Netzler ..... D8/61  
D632,536 S \* 2/2011 Solar ..... D8/61

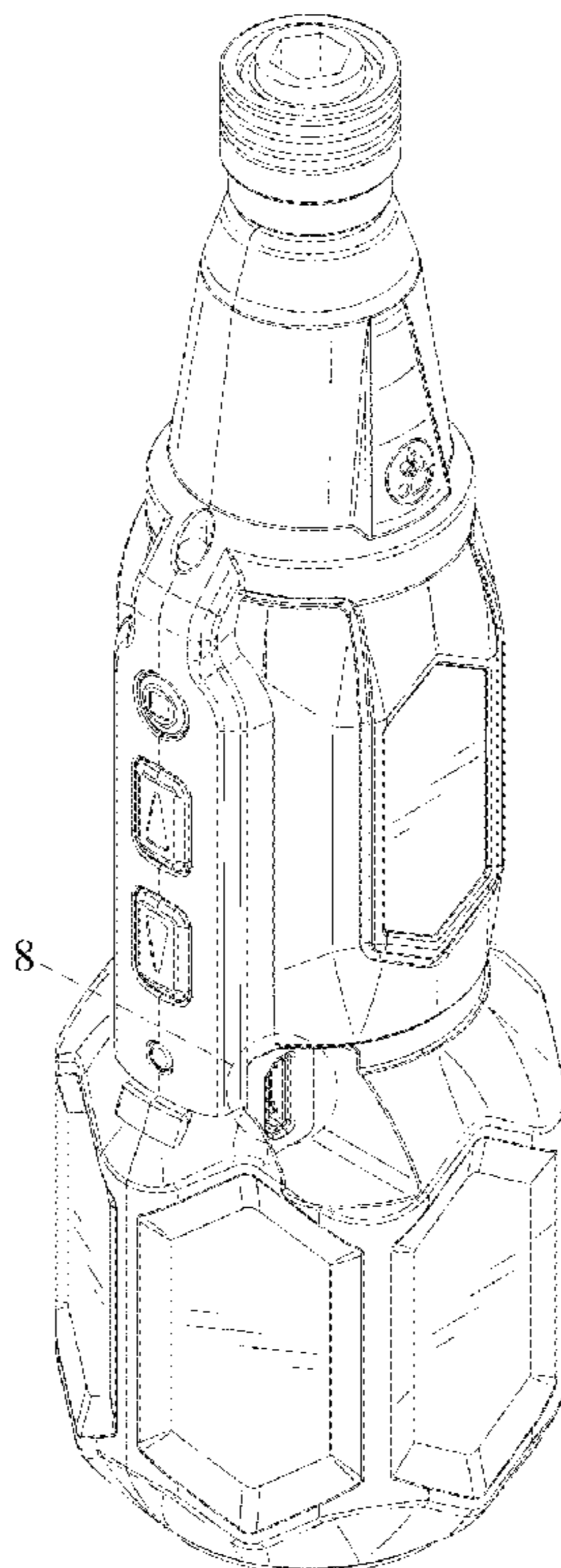
(57) **CLAIM**

The ornamental design for a screwdriver, as shown and described.

**DESCRIPTION**

FIG. 1 is a perspective view of a screwdriver showing my new design;  
FIG. 2 is a left side view thereof;  
FIG. 3 is a front view thereof;  
FIG. 4 is a right side view thereof;  
FIG. 5 is a rear view thereof;  
FIG. 6 is a top plan view thereof;  
FIG. 7 is a bottom plan view thereof;  
FIG. 8 is a partially enlarged view of the area “8” in FIG. 1; and,  
FIG. 9 is a partially enlarged view of the area “9” in FIG. 4.  
The broken lines indicating an enlargement portion of the design form no part of the claimed design.

**1 Claim, 5 Drawing Sheets**



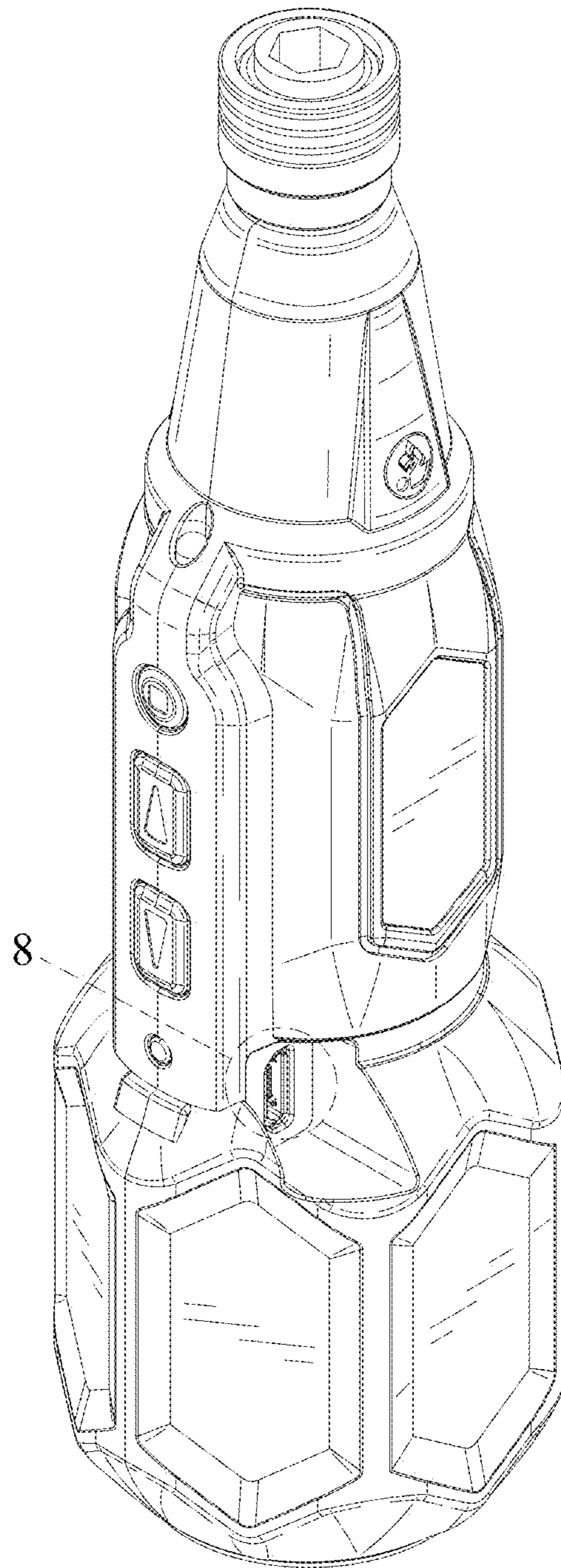


FIG. 1

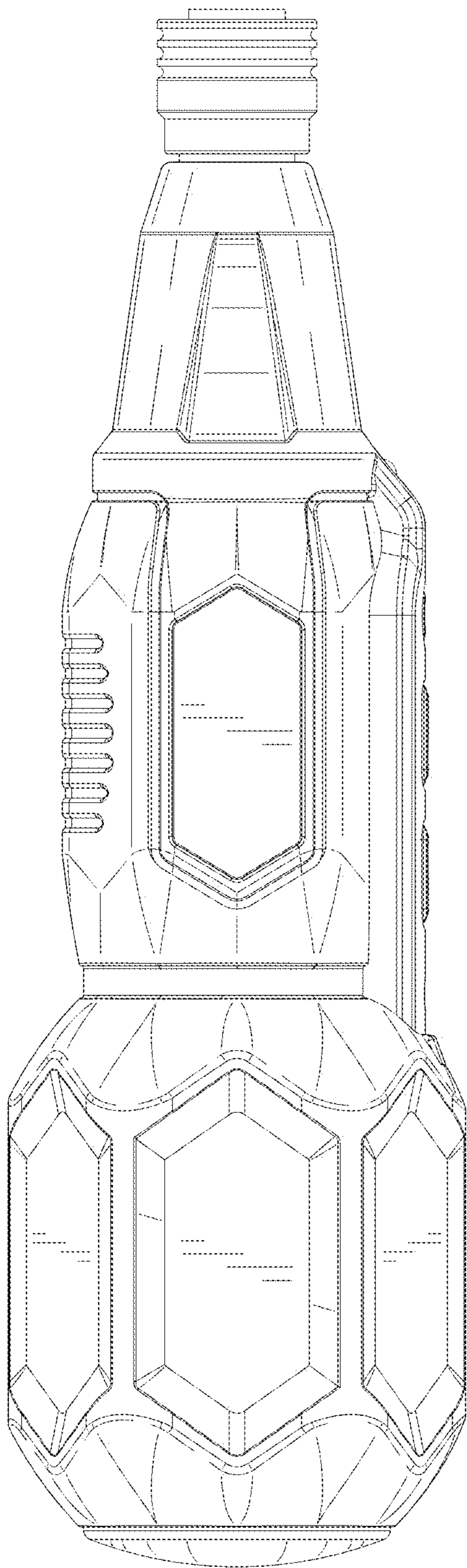


FIG. 2

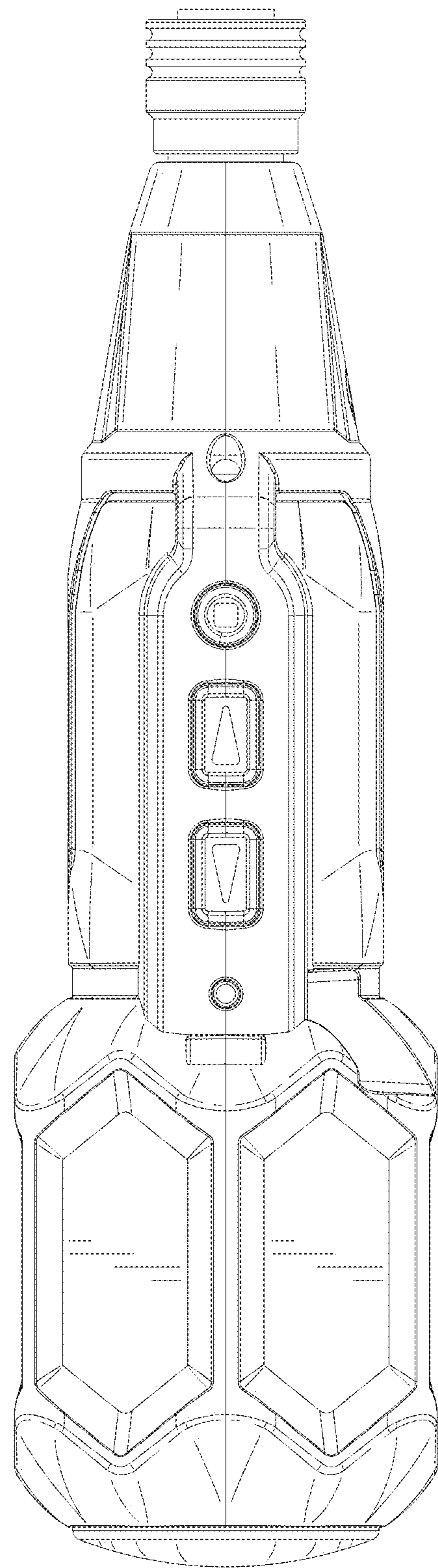


FIG. 3



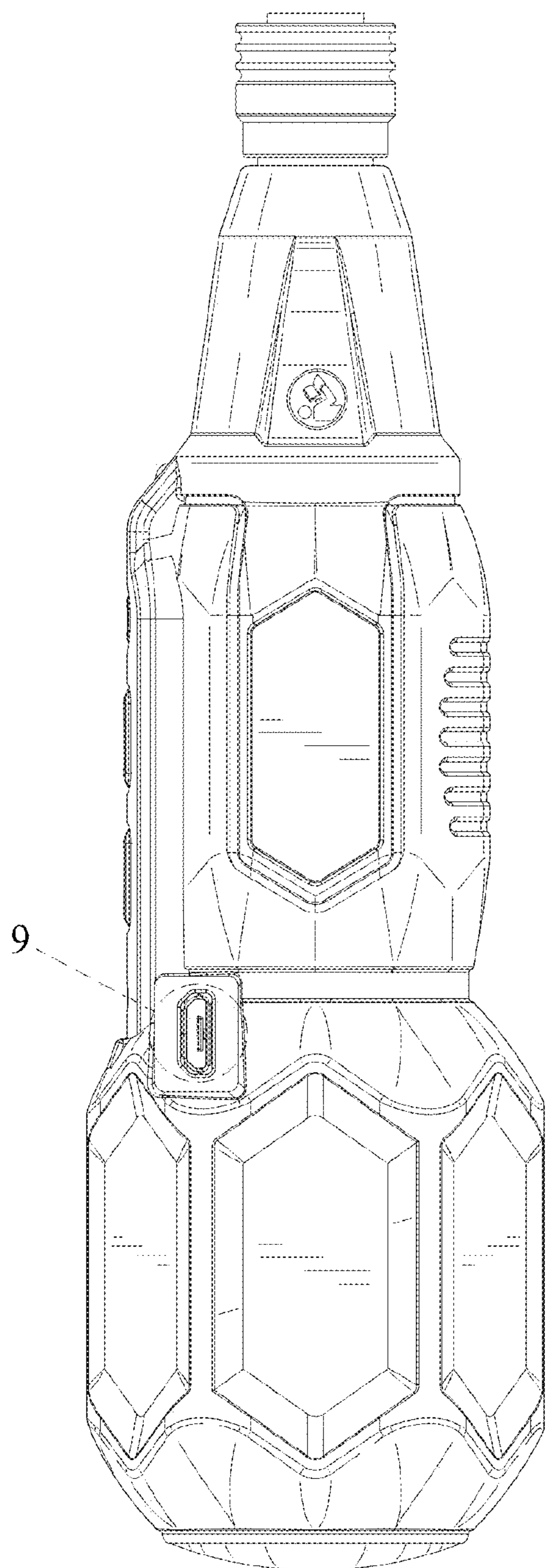


FIG. 4

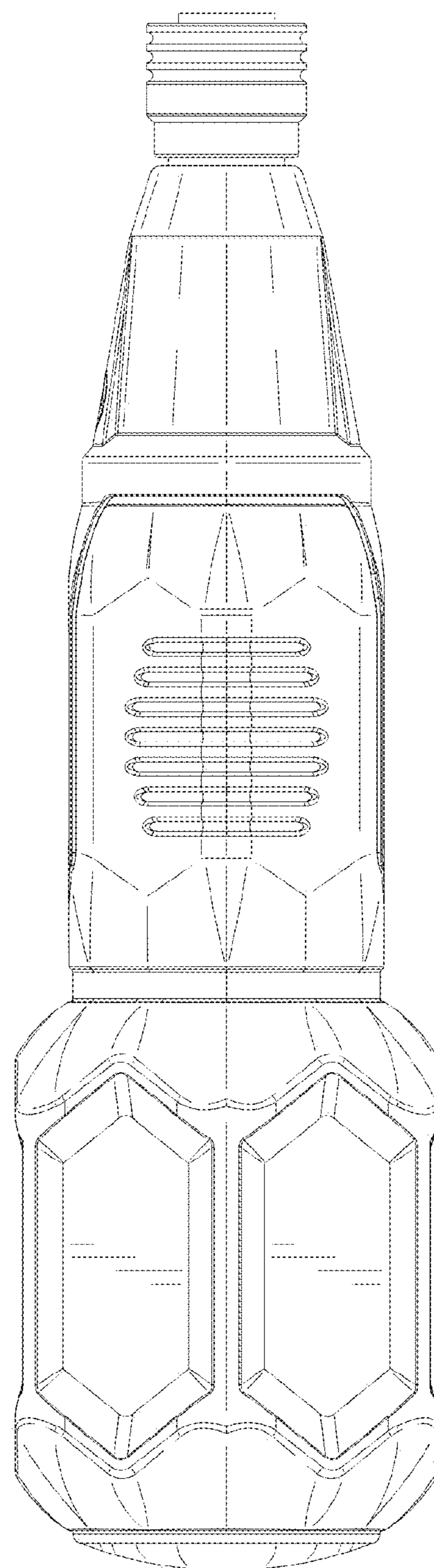


FIG. 5

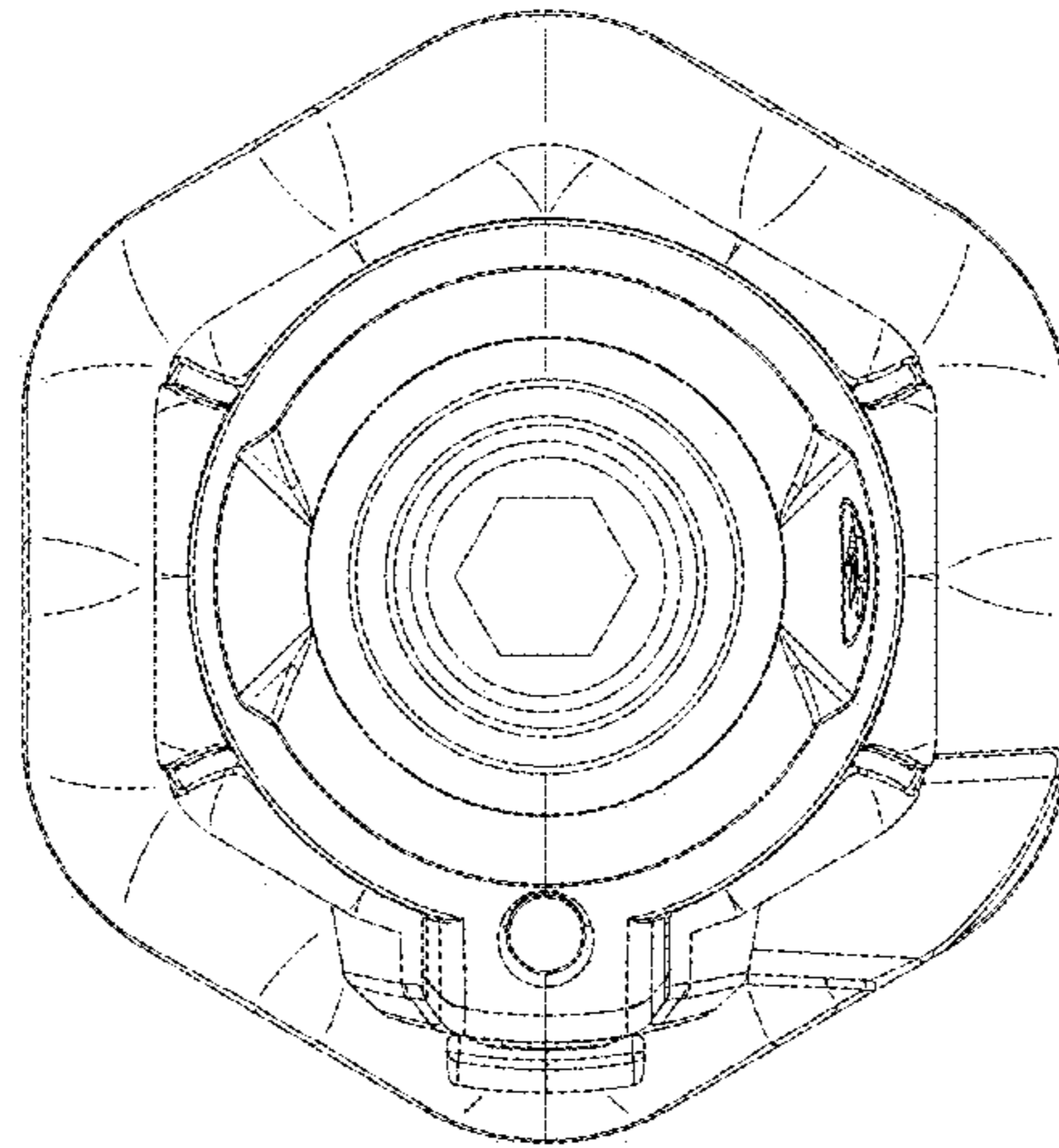


FIG. 6

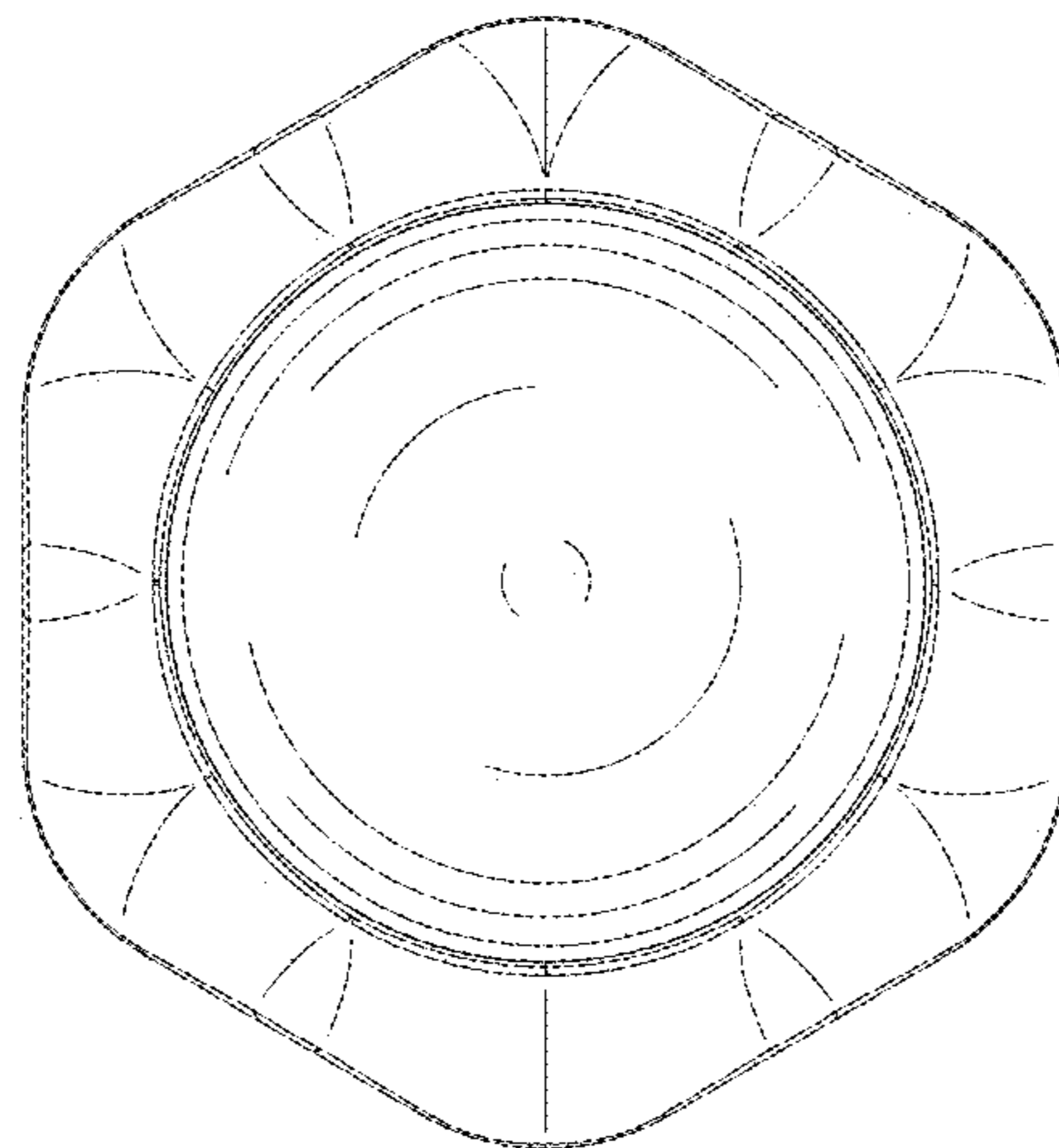


FIG. 7

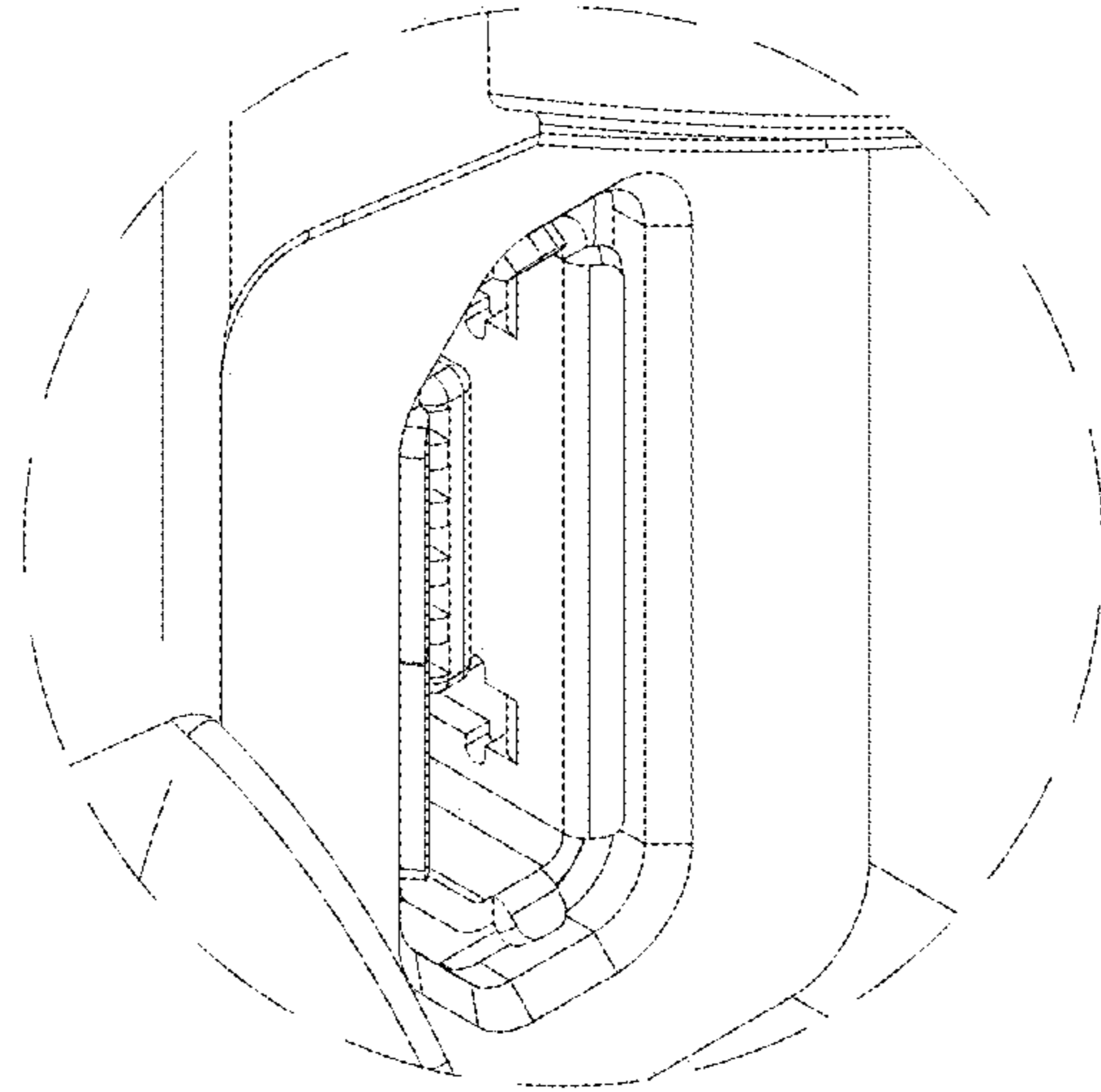


FIG. 8

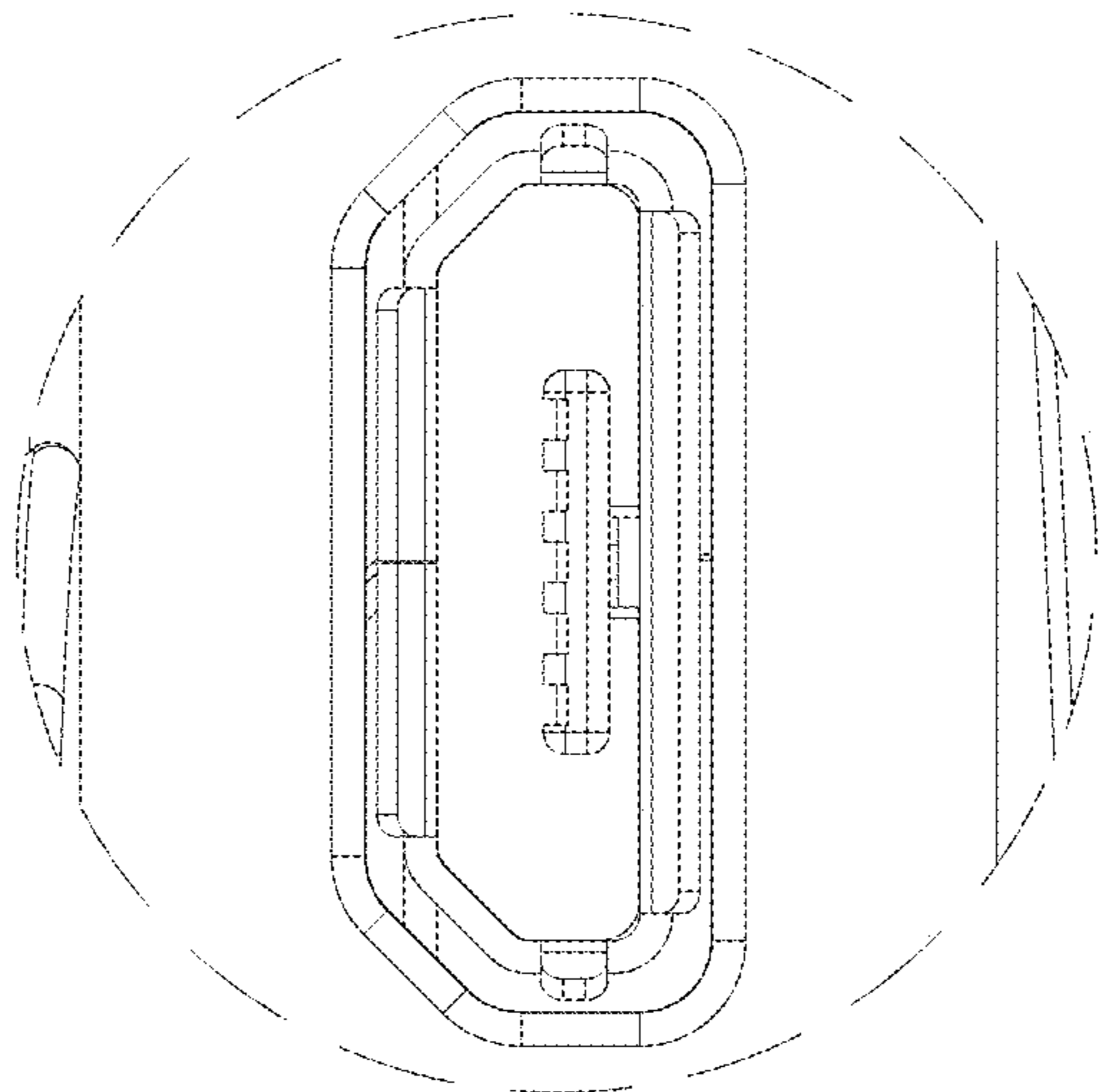


FIG. 9