



US00D928573S

(12) **United States Design Patent**
Chambers

(10) **Patent No.:** **US D928,573 S**

(45) **Date of Patent:** **** Aug. 24, 2021**

(54) **MULTIPURPOSE RATCHETING CHAINSAW
SCRENCH TOOL**

(71) Applicant: **Bill Jason Chambers**, Vancouver, WA
(US)

(72) Inventor: **Bill Jason Chambers**, Vancouver, WA
(US)

(**) Term: **15 Years**

(21) Appl. No.: **29/709,531**

(22) Filed: **Oct. 15, 2019**

Related U.S. Application Data

(63) Continuation of application No. 15/619,417, filed on
Jun. 9, 2017, now abandoned.

(51) **LOC (13) Cl.** **08-05**

(52) **U.S. Cl.**
USPC **D8/26; D8/105**

(58) **Field of Classification Search**
USPC D8/1, 20-26, 70, 382, 105, 55, 80-82,
D8/87, 104, 107, 14
CPC ... B25F 1/02; B25F 1/006; B08B 1/00; B08B
1/0001; B08B 7/04
See application file for complete search history.

(56) **References Cited**

U.S. PATENT DOCUMENTS

D46,782 S *	12/1914	Trabold	D8/26
D54,235 S *	12/1919	Bellows	D8/26
D76,122 S *	8/1928	Clark	D8/26
D109,554 S *	5/1938	Erving	D8/26
D233,406 S *	10/1974	Whiteford	D8/82
D304,898 S *	12/1989	Brawner	D8/26
D356,239 S *	3/1995	Lin	D8/82
5,970,552 A *	10/1999	Kwiecien	B25B 13/461 7/138

D431,165 S *	9/2000	Goldsborough	D8/26
D466,766 S *	12/2002	Marty	D8/21
D606,821 S *	12/2009	Schwartz	D8/21
D643,273 S *	8/2011	Johnson	D8/82
D756,189 S *	5/2016	Liu	D8/85
2012/0240341 A1 *	9/2012	Chiang	B25F 1/02 7/138
2018/0126520 A1 *	5/2018	Lai	B25B 23/0042
2018/0354115 A1 *	12/2018	Chambers	B25B 13/483

OTHER PUBLICATIONS

Trilink 7.30-in Chainsaw Scrench Tool reviewed on Lowes.com,
Dec. 8, 2018, <<https://www.lowes.com/pd/TriLink-Scrench/1002967896>> (Year: 2018).*

Stihl Chain Saw Scrench Multi Tool Wrench, reviewed on Amazon,
Apr. 12, 2018, <https://www.amazon.com/Stihl-Chain-Scrench-Multi-Wrench/dp/B072KHR5HQ/ref=cm_cr_arp_d_product_top?ie=UTF8> (Year: 2018).*

* cited by examiner

Primary Examiner — Janice Hallmark

(74) *Attorney, Agent, or Firm* — Christopher Mayle; Bold
IP, PLLC

(57) **CLAIM**

The ornamental design for a multipurpose ratcheting chain-
saw scrench tool, as shown and described.

DESCRIPTION

FIG. 1 shows a top elevational view of a multipurpose
ratcheting chainsaw scrench tool showing my present inven-
tion;

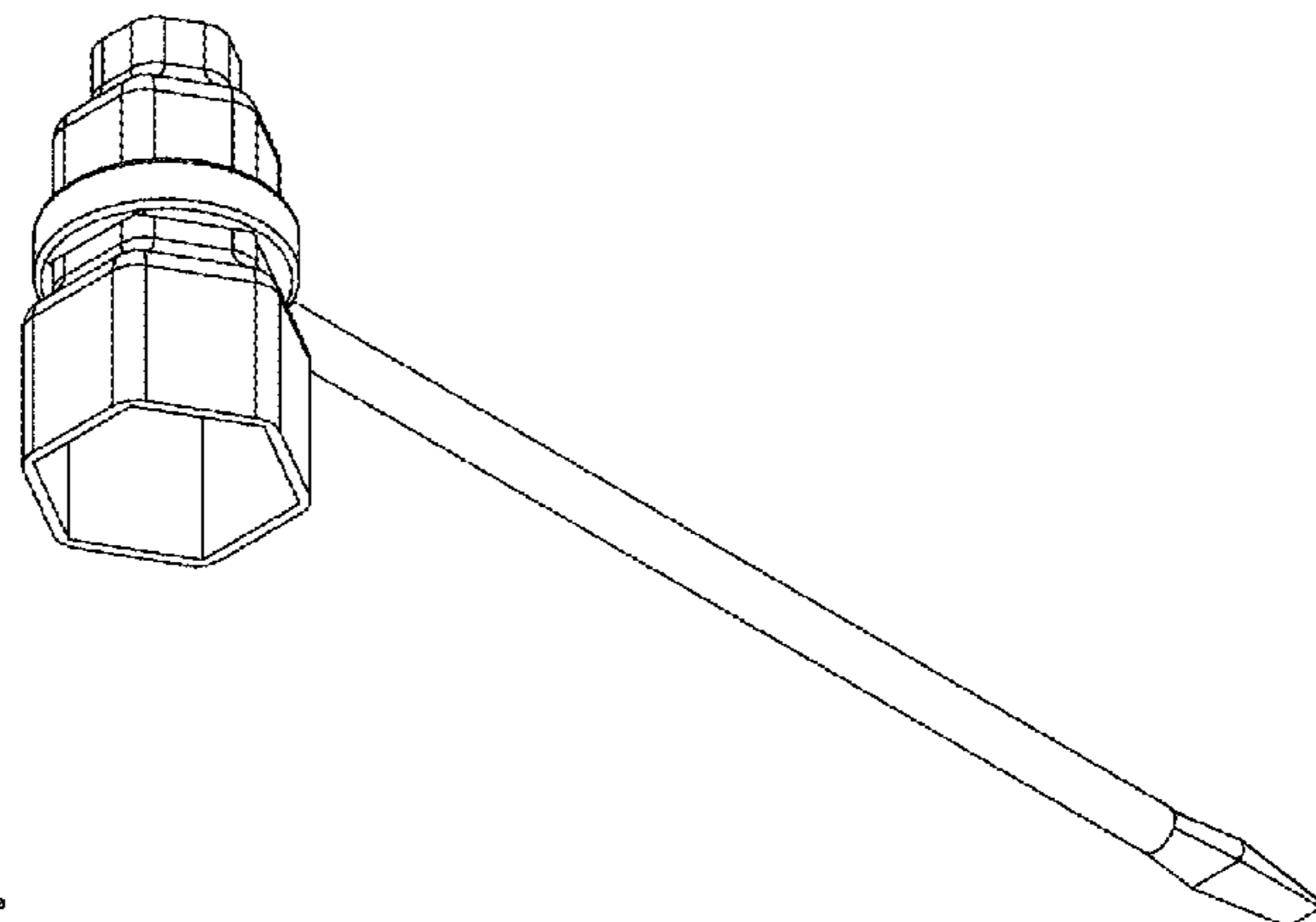
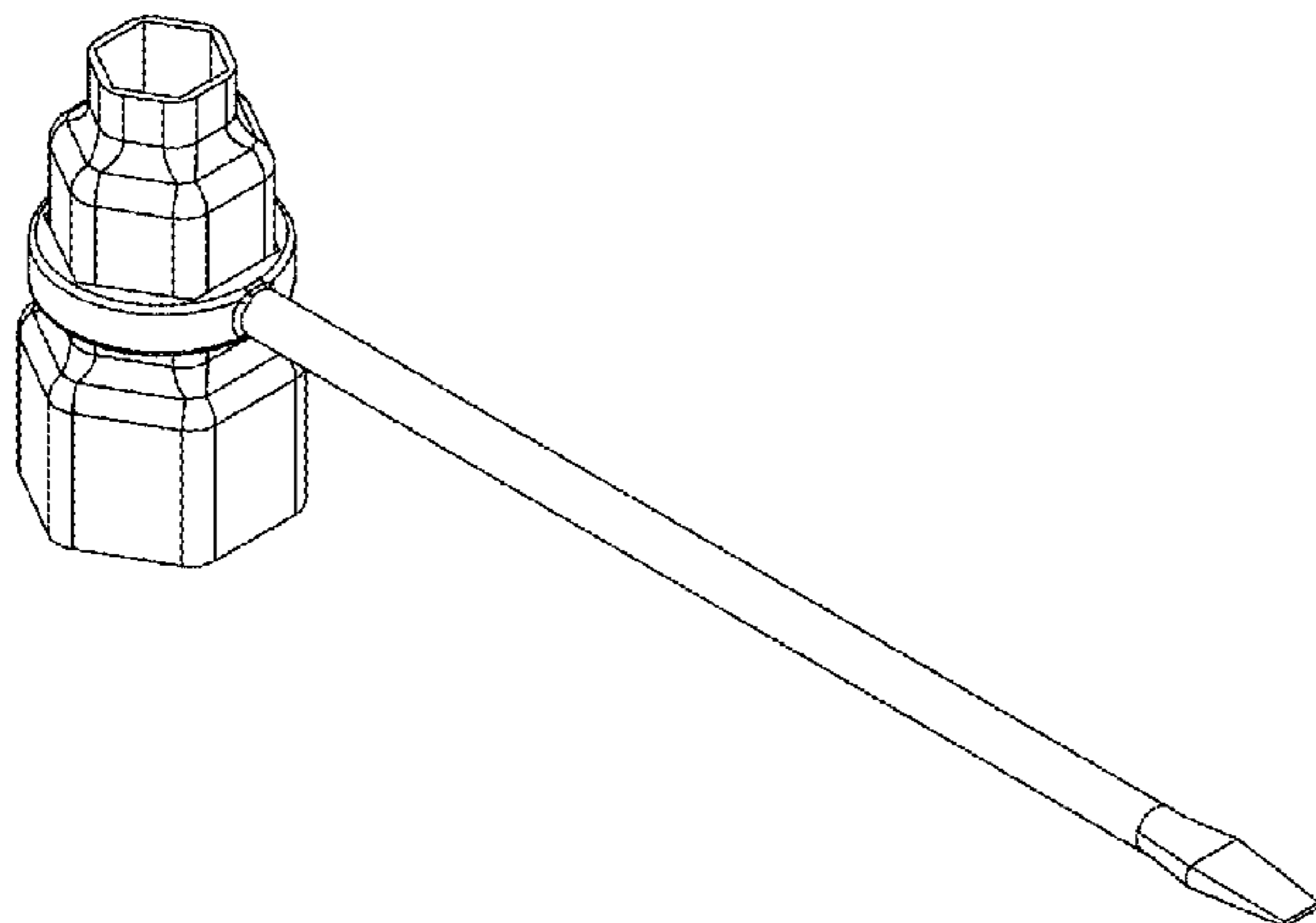
FIG. 2 is a front view thereof;

FIG. 3 is a left side view thereof, the right side view being
a mirror image of the view of FIG. 3;

FIG. 4 is bottom elevational view thereof; and,

FIG. 5 is left side elevational view thereof.

1 Claim, 5 Drawing Sheets



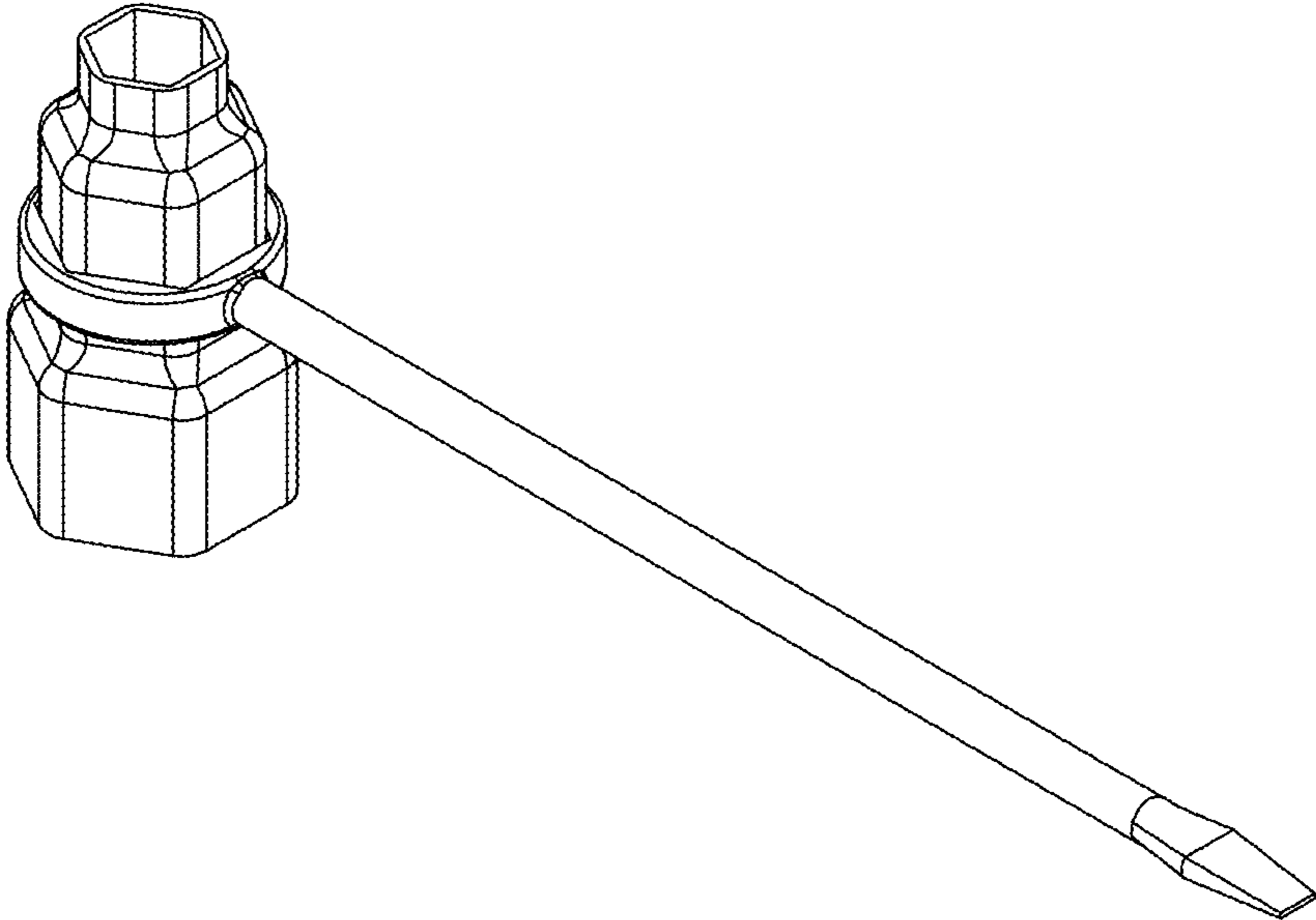


FIG. 1

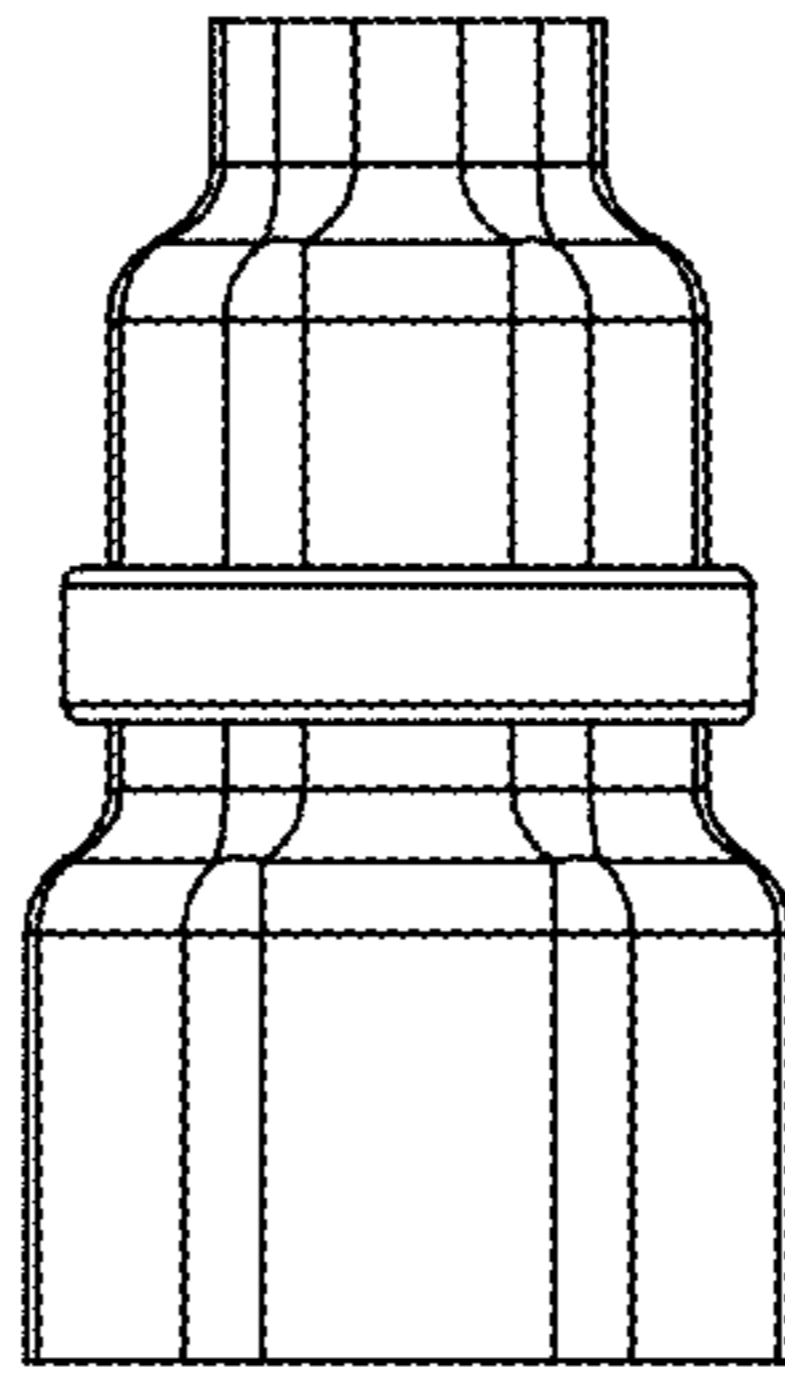


FIG. 2

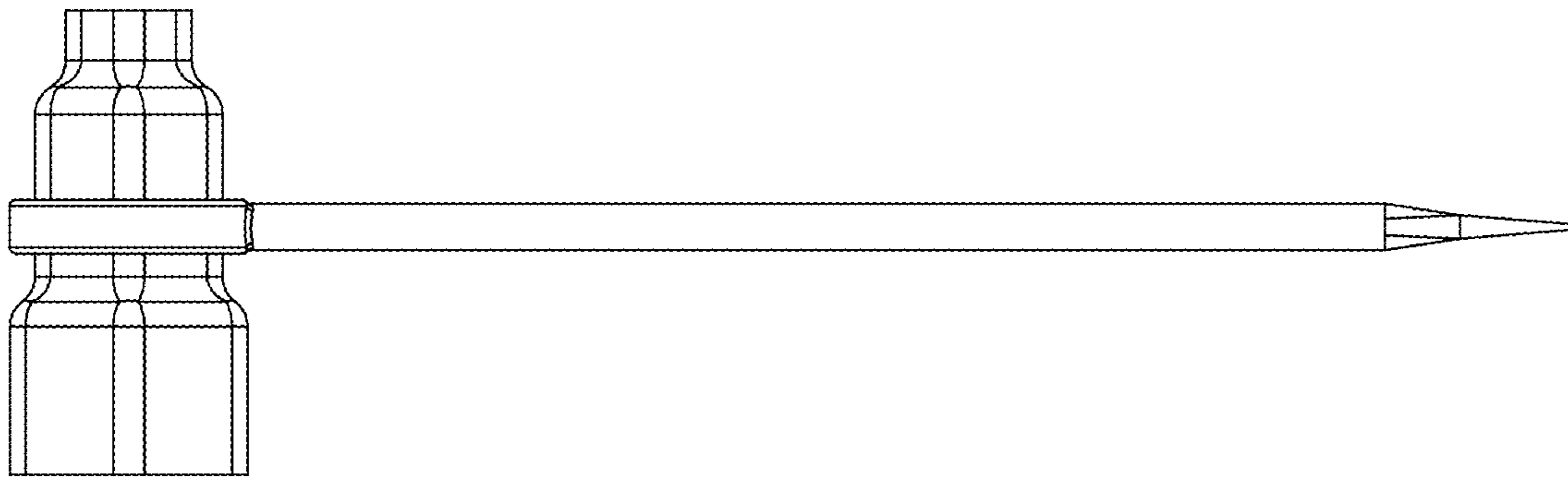


FIG. 3

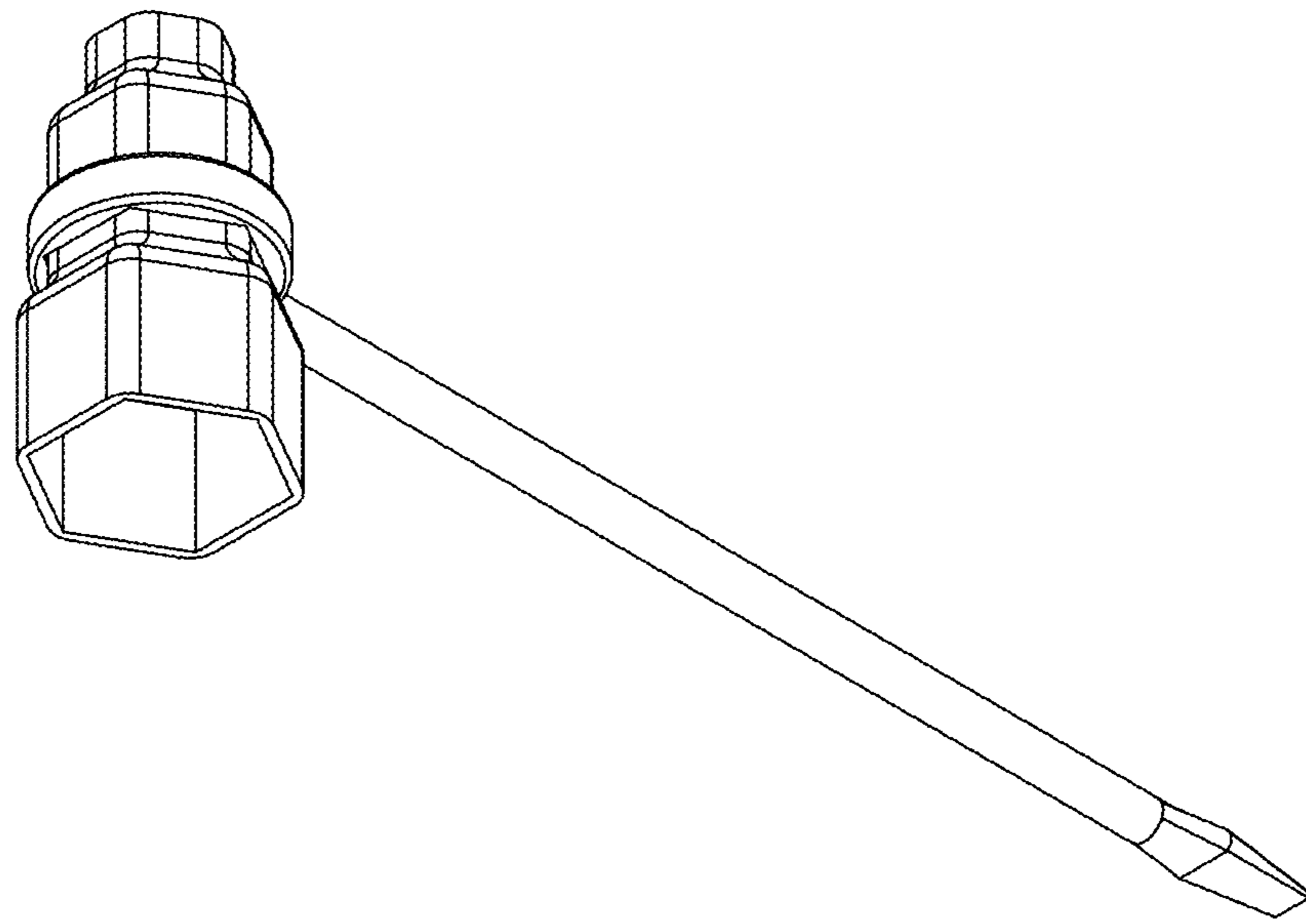


FIG. 4

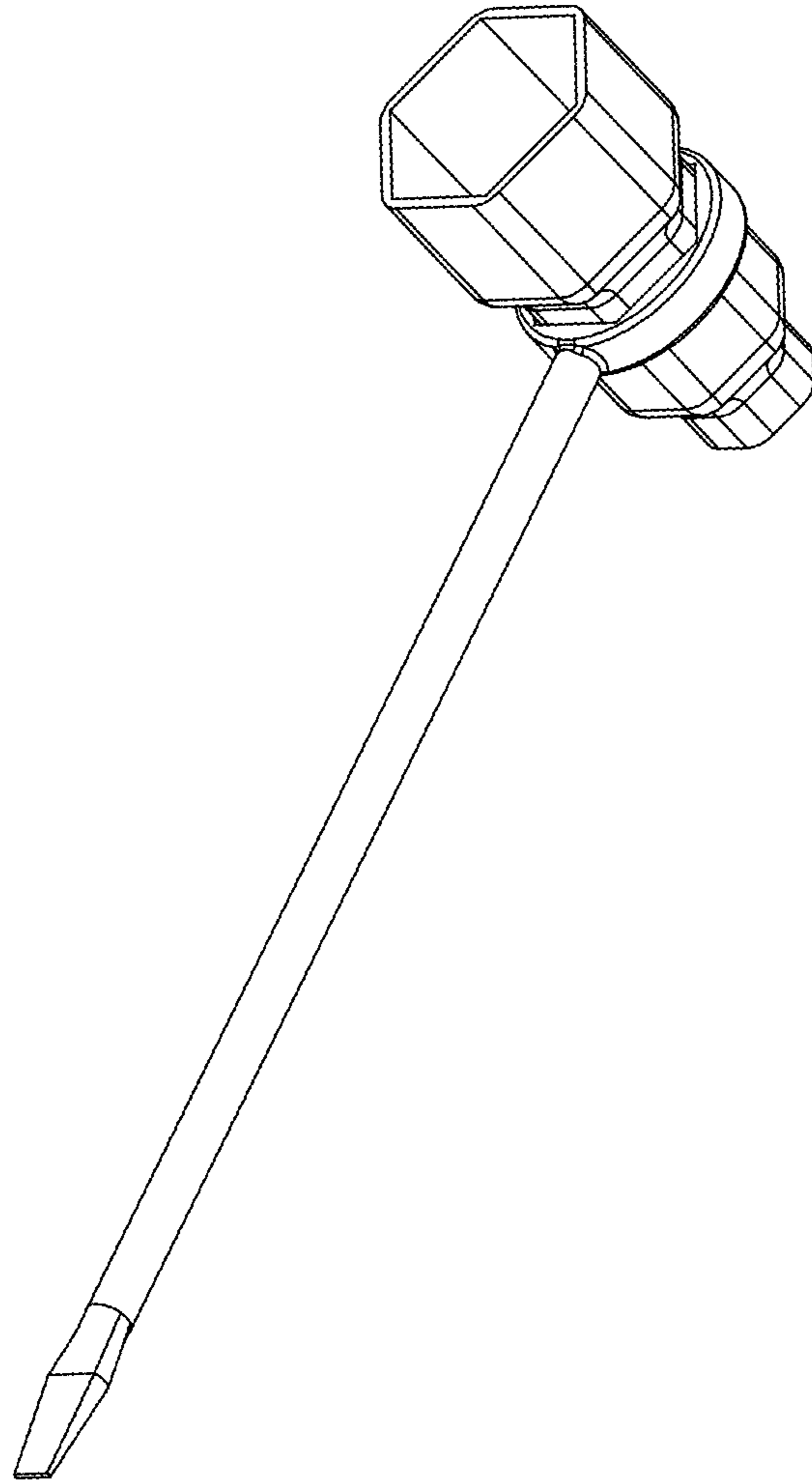


FIG. 5