



US00D928572S

(12) **United States Design Patent**
Shi et al.

(10) **Patent No.:** **US D928,572 S**

(45) **Date of Patent:** **** Aug. 24, 2021**

(54) **TORQUE WRENCH**

(71) Applicant: **APEX BRANDS, INC.**, Apex, NC (US)

(72) Inventors: **Minglin Shi**, Shanghai (CN); **Brian Butler**, Charlotte, NC (US); **Gael Prat**, Etoiles (FR); **Wanli Wu**, Shanghai (CN)

(73) Assignee: **APEX BRANDS, INC.**, Apex, NC (US)

(**) Term: **15 Years**

(21) Appl. No.: **29/698,336**

(22) Filed: **Jul. 16, 2019**

(51) **LOC (13) Cl.** **08-05**

(52) **U.S. Cl.**

USPC **D8/24**; D8/21

(58) **Field of Classification Search**

USPC D8/15-29, 29.1, 29.2, 30-32, 349, D8/382-386, 396-399, 70, 71, 70.1, D8/72-74, 471, 83, 104-107, 354, 361, D8/362, 360, 360.1, 363-372, 355-359; 81/487, 60, 186, 124, 4, 121.1, 63.1, 119, 81/489, 177.1, 177.2, 177.85, 177.8, 62, 81/61

CPC . B25B 23/1427; B25B 23/0007; B25B 23/16; B25B 17/00; B25B 23/0028; B25B 23/0021; B25B 13/50; B25B 13/08; B25B 13/481; B25B 13/461; B25B 23/0035; B25B 15/04; B25G 1/043; E06B 3/685; A61C 1/186; A61C 8/0089; A61B 17/887; A61B 17/8883
See application file for complete search history.

(56) **References Cited**

U.S. PATENT DOCUMENTS

- 1,099,572 A * 6/1914 Rose B25B 13/463 81/63.1
- 5,129,293 A * 7/1992 Larson B25B 23/1427 81/478
- 6,067,882 A * 5/2000 Hillinger B25B 13/462 81/62

(Continued)

FOREIGN PATENT DOCUMENTS

CN	2019-10906616	*	9/2019	B25B 23/14
TW	201941880	*	11/2019	B25B 23/153

OTHER PUBLICATIONS

Summit Tools, Bit-Head Digital Torque Wrench, ¼ inch Drive Adopter, 0.221-4.424 ft-lbs Range, Set Target Torque, Date first available Aug. 20, 2019, [online]retrieved Jun. 4, 2020, available from internet, www.amazon.com (Year: 2019).*

(Continued)

Primary Examiner — Keli L Hill

Assistant Examiner — Sara S Sahneh

(74) *Attorney, Agent, or Firm* — Burr & Forman, LLP

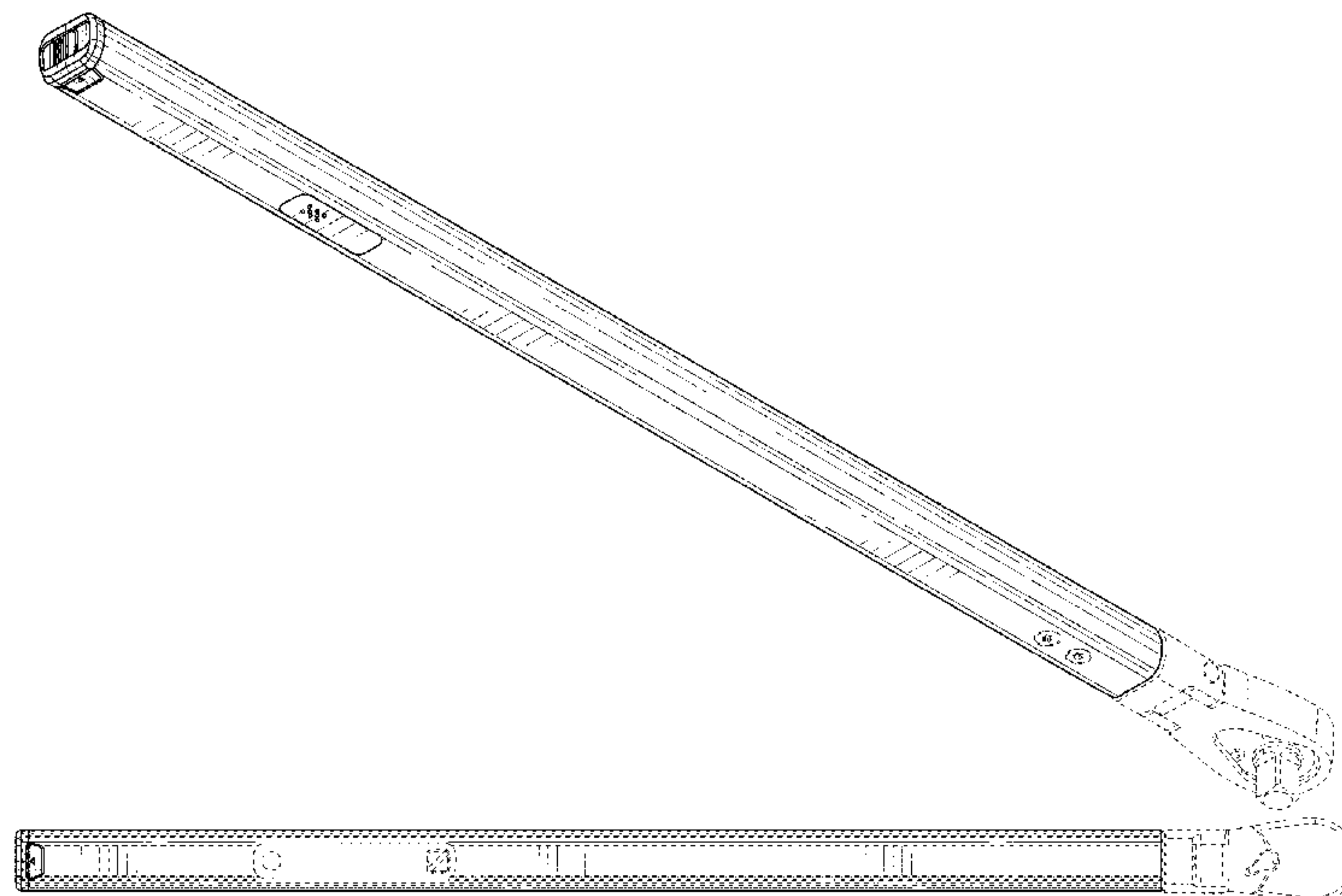
(57) **CLAIM**

The ornamental design for a torque wrench, as shown and described.

DESCRIPTION

FIG. 1 is a perspective view of a torque wrench of the present invention;
FIG. 2 is a front view of the torque wrench of FIG. 22;
FIG. 3 is a back view of the torque wrench of FIG. 22;
FIG. 4 is a right side view of the torque wrench of FIG. 22;
FIG. 5 is a left side view of the torque wrench of FIG. 22;
FIG. 6 is a top view of the torque wrench of FIGS. 22; and,
FIG. 7 is a bottom view of the torque wrench of FIG. 22.
The broken lines of FIGS. 1-7 form no part of the claimed design.

1 Claim, 4 Drawing Sheets



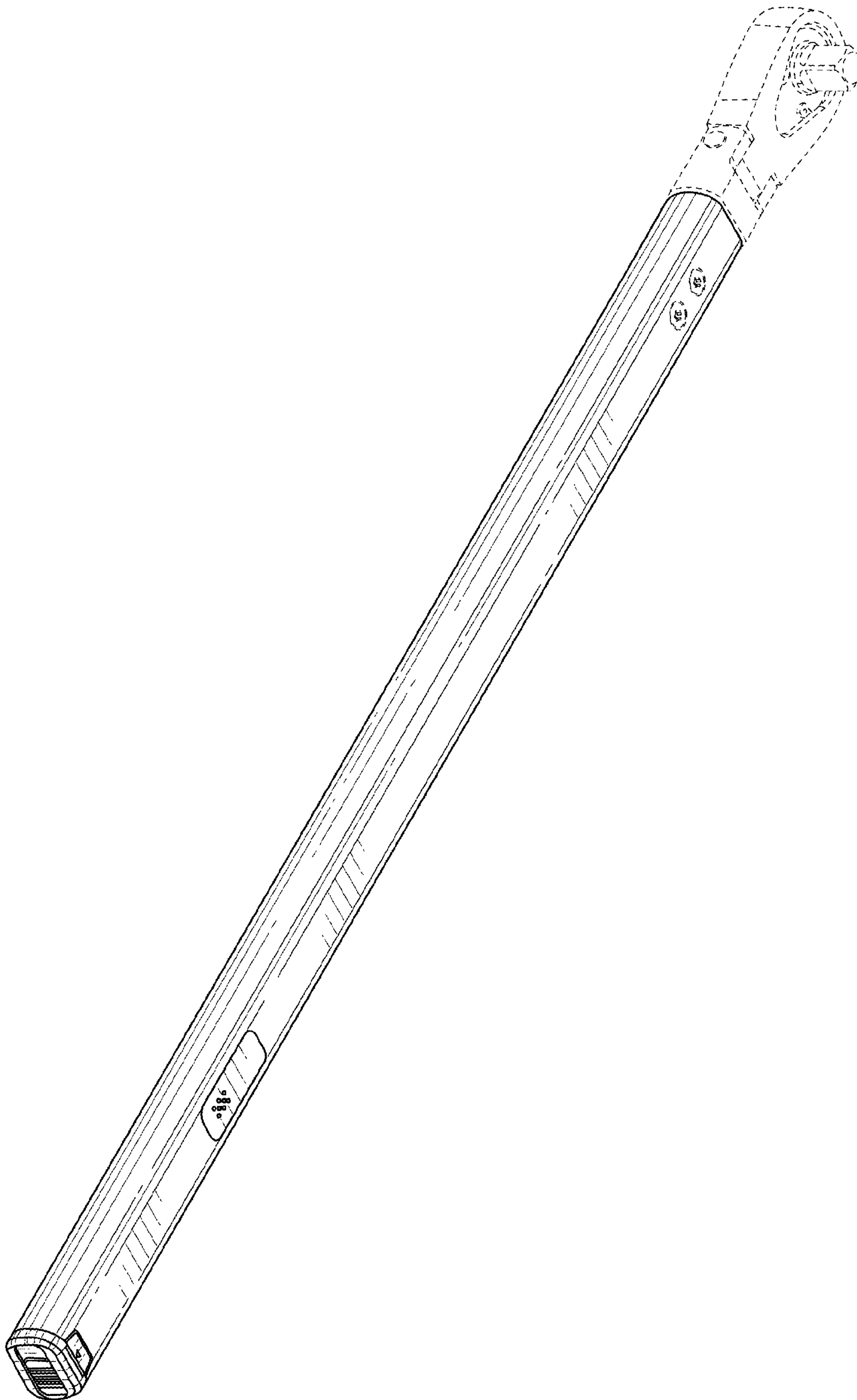


FIG. 1

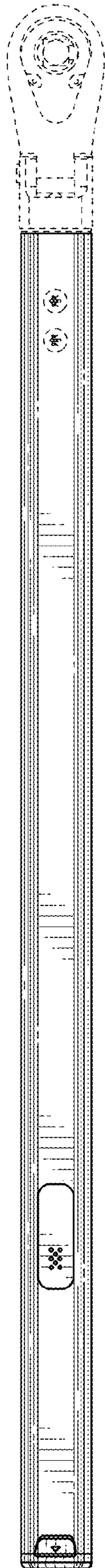


FIG. 2

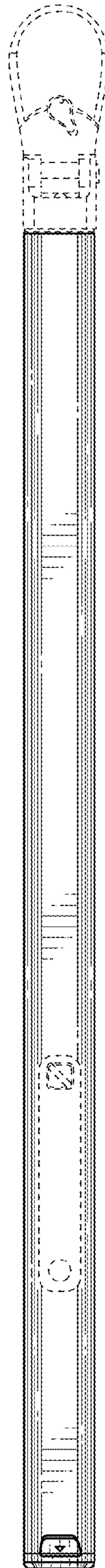


FIG. 3

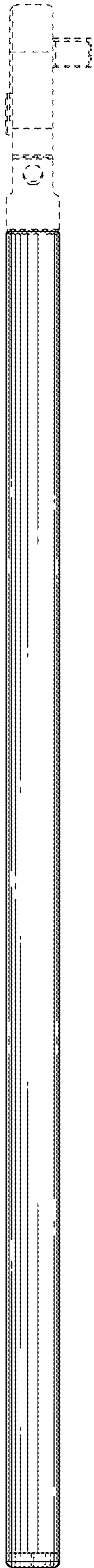


FIG. 4

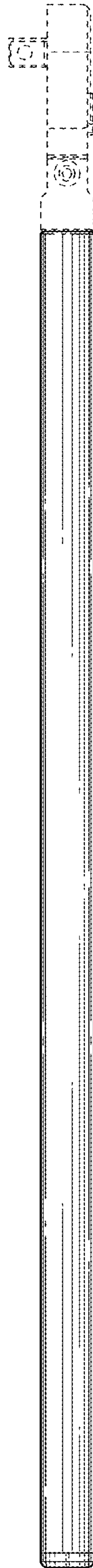


FIG. 5

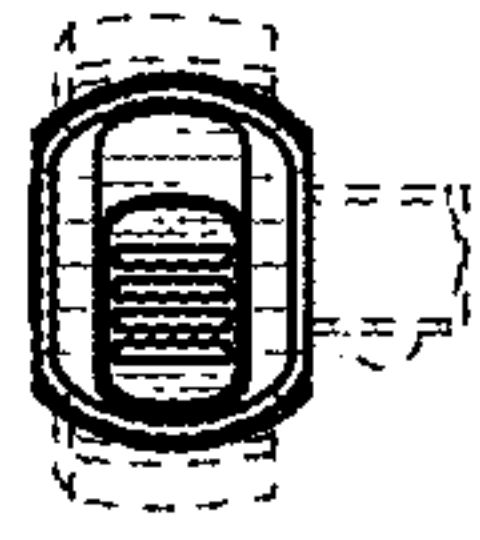


FIG. 7

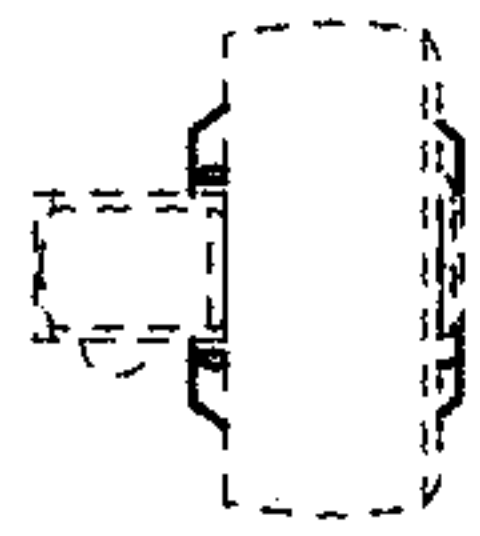


FIG. 6