



US00D928570S

(12) **United States Design Patent**
Verrue

(10) **Patent No.:** **US D928,570 S**

(45) **Date of Patent:** **** Aug. 24, 2021**

(54) **CUP HOLDER**

(71) Applicant: **Johan Verrue**, Ghent (BE)

(72) Inventor: **Johan Verrue**, Ghent (BE)

(**) Term: **15 Years**

(21) Appl. No.: **29/692,205**

(22) Filed: **May 23, 2019**

(30) **Foreign Application Priority Data**

Dec. 13, 2018 (EM) 005889052-0001

(51) **LOC (13) Cl.** **07-07**

(52) **U.S. Cl.**
USPC **D7/704; D7/707**

(58) **Field of Classification Search**
USPC D7/500, 584, 602, 600.4, 601, 620, 701,
D7/704; D8/370; D6/537
CPC A47J 47/16; A47F 5/01; A47F 5/02
See application file for complete search history.

(56) **References Cited**

U.S. PATENT DOCUMENTS

- 1,448,259 A * 3/1923 Cook A47G 23/065
294/143
- D160,329 S * 10/1950 Morse D6/537
- D160,330 S * 10/1950 Morse D6/537
- D178,752 S * 9/1956 Berg et al. D7/704
- 2,913,126 A * 11/1959 Thompson A47F 5/02
211/85
- 3,194,403 A * 7/1965 Horn, Jr. A47F 5/04
211/78
- 3,341,242 A * 9/1967 Carson A47G 23/0208
294/16
- D260,463 S * 9/1981 Imus D6/514
- D404,919 S * 2/1999 McCorkle, Jr. D3/315
- D467,127 S * 12/2002 Wright D1/105
- D569,201 S * 5/2008 Grady D7/704
- 8,708,166 B1 * 4/2014 Crouch A47G 19/00
211/85.4
- D740,511 S * 10/2015 Chiu D32/58

- 9,301,650 B1 * 4/2016 Knowlton A47J 47/16
- D817,027 S * 5/2018 Manfre D6/566
- 10,343,576 B1 * 7/2019 Rojo B60N 3/102
- 2010/0237030 A1 * 9/2010 Cass A47J 47/16
211/70
- 2011/0220599 A1 * 9/2011 Siahpush A47G 23/0616
211/85.4

(Continued)

OTHER PUBLICATIONS

Cup Keeper website, Personalized & Eco-friendly Cup Holders, Publication date unknown, [site visited Dec. 23, 2020], Available on the Internet URL <https://originalcupkeeper.com/cupkeeper-products/> (Year: 2020).*

Primary Examiner — Karen S Acker

Assistant Examiner — Steven B Reinholdt, Jr.

(74) *Attorney, Agent, or Firm* — Fresh IP PLC; Clifford D. Hyra; Aubrey Y. Chen

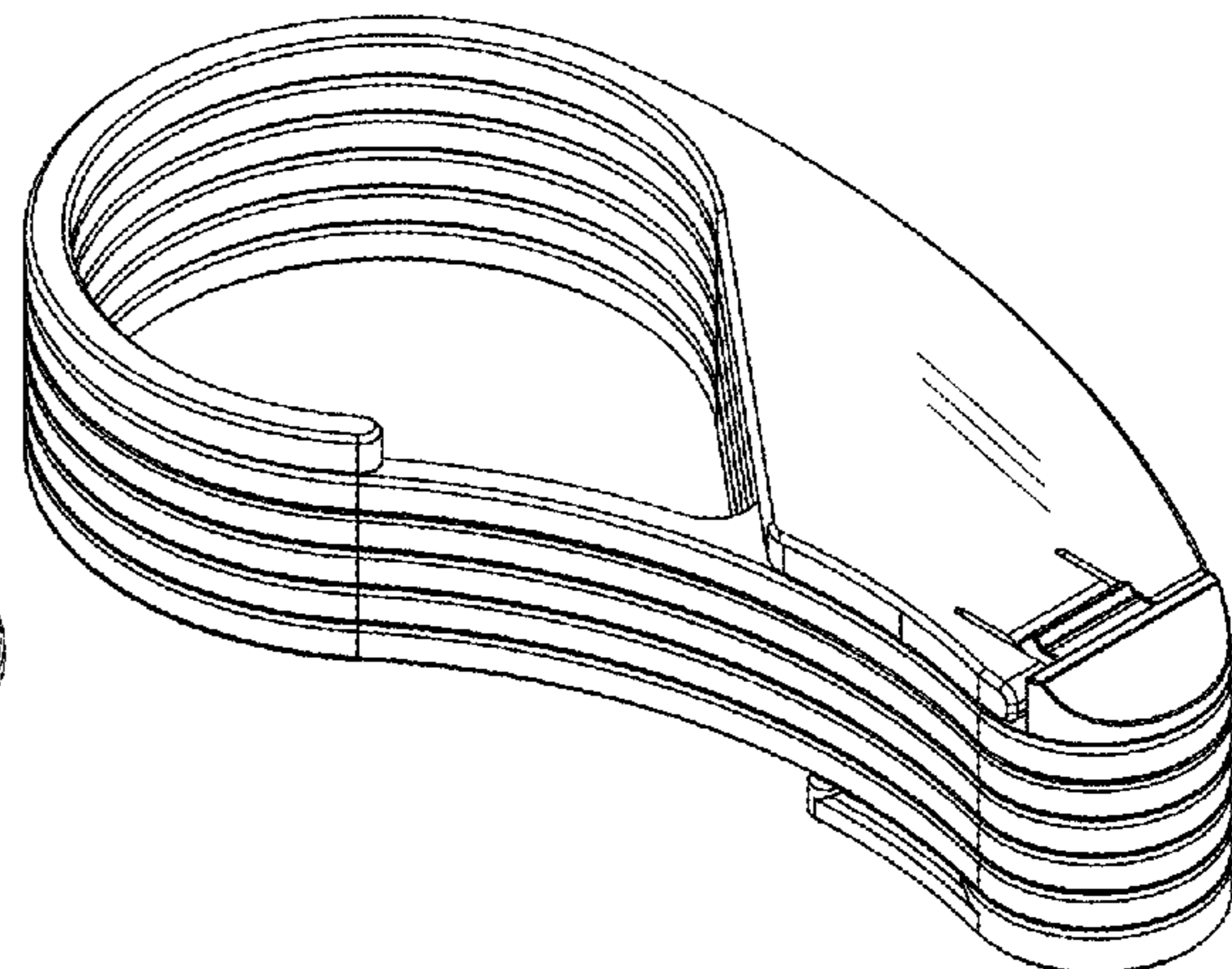
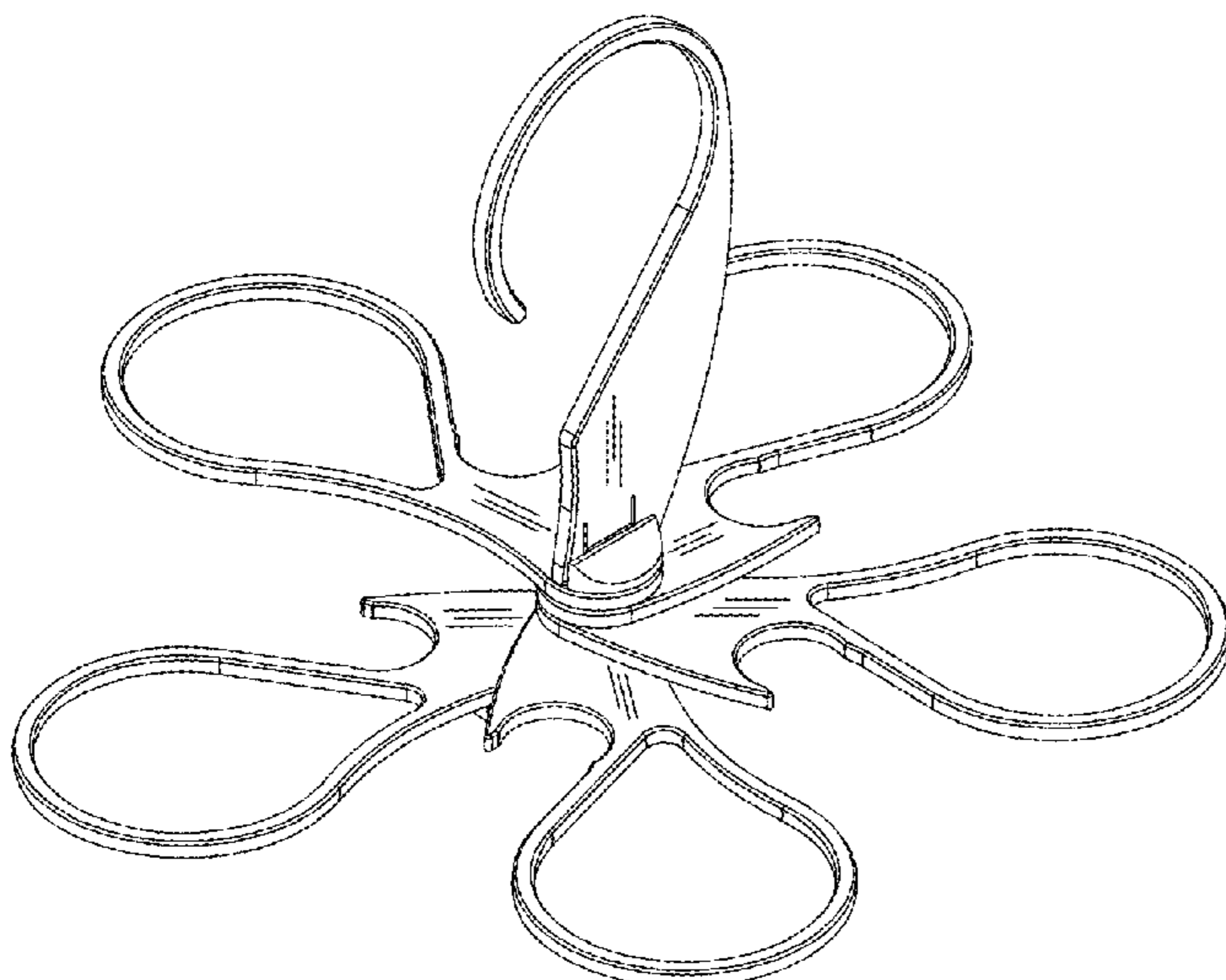
(57) **CLAIM**

The ornamental design for a cup holder, as shown and described.

DESCRIPTION

FIG. 1 is a front, top, and left side, perspective view of a cup holder in a use position according to my new design.
FIG. 2 is a top plan view thereof.
FIG. 3 is a bottom plan view thereof.
FIG. 4 is a front elevation view thereof.
FIG. 5 is a rear elevation view thereof.
FIG. 6 is a left side elevation view thereof.
FIG. 7 is a right side elevation view thereof; and,
FIG. 8 is a perspective view thereof in a storage position.
The broken lines and areas within them in FIG. 3 depict portions of the cup holder that form no part of the claimed design.

1 Claim, 4 Drawing Sheets



(56)

References Cited

U.S. PATENT DOCUMENTS

2012/0091155 A1* 4/2012 Skopis A47G 23/0208
220/737
2019/0283645 A1* 9/2019 Garcia Salgado H02J 7/0044

* cited by examiner

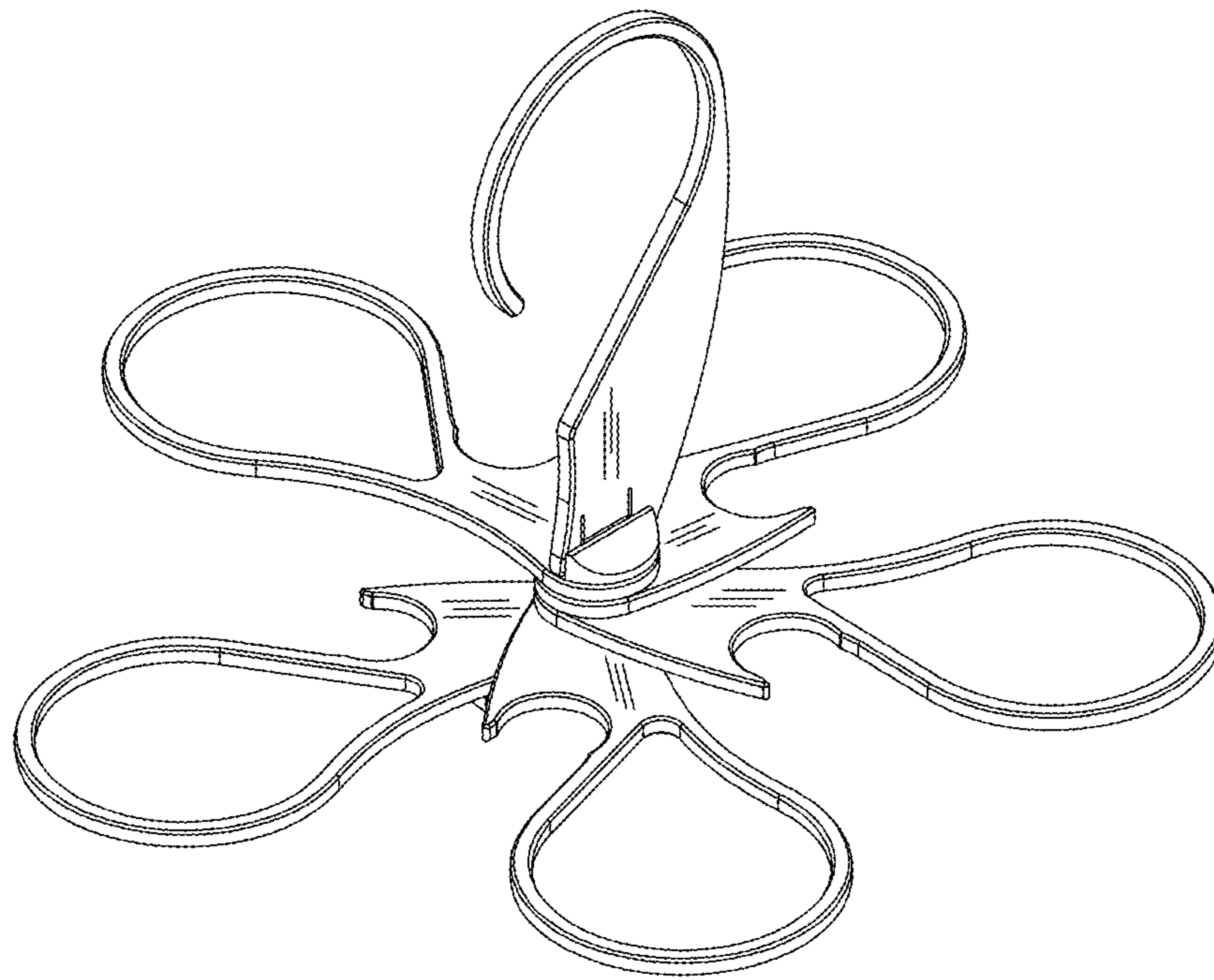


FIG. 1

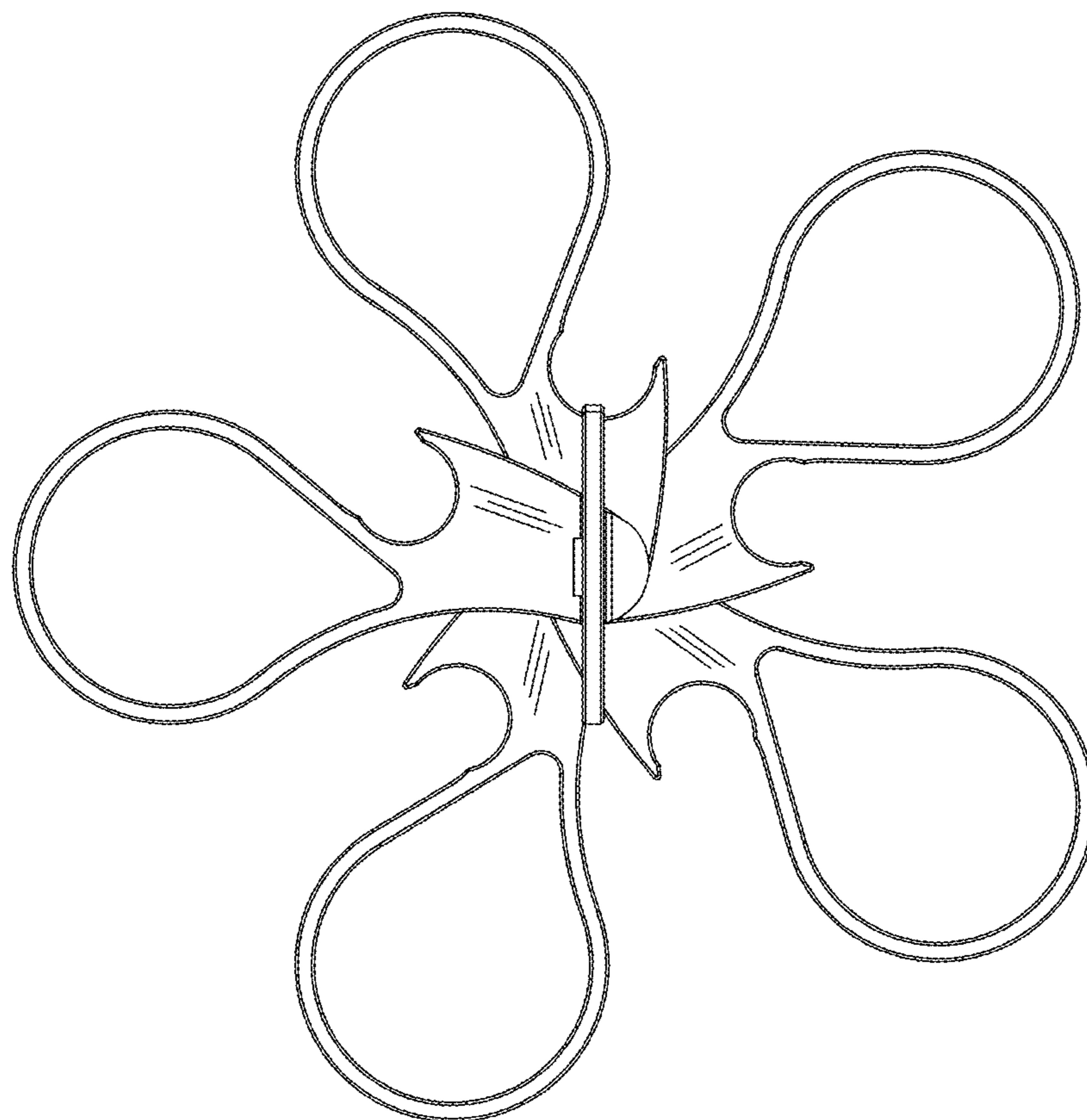


FIG. 2

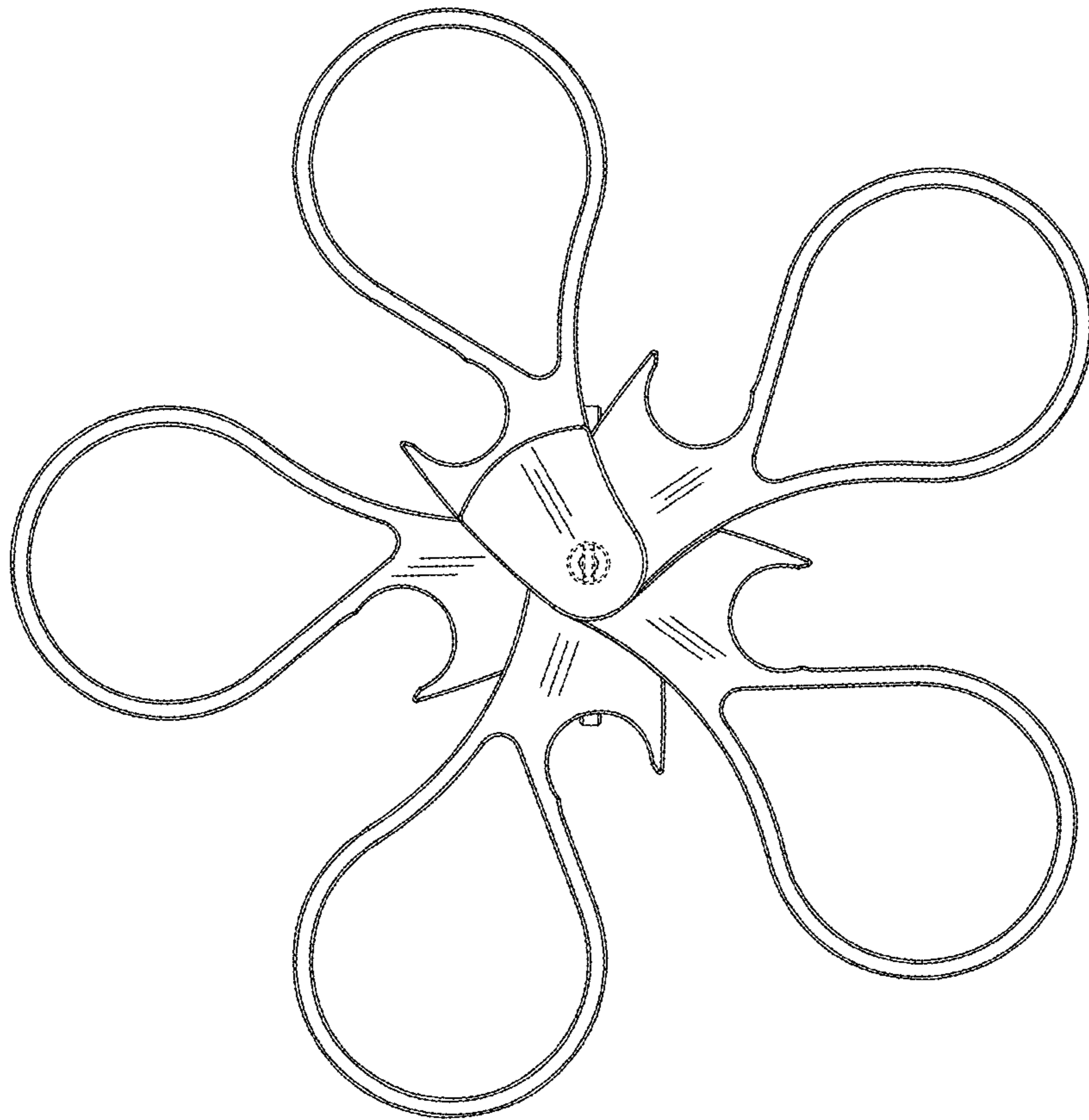


FIG. 3

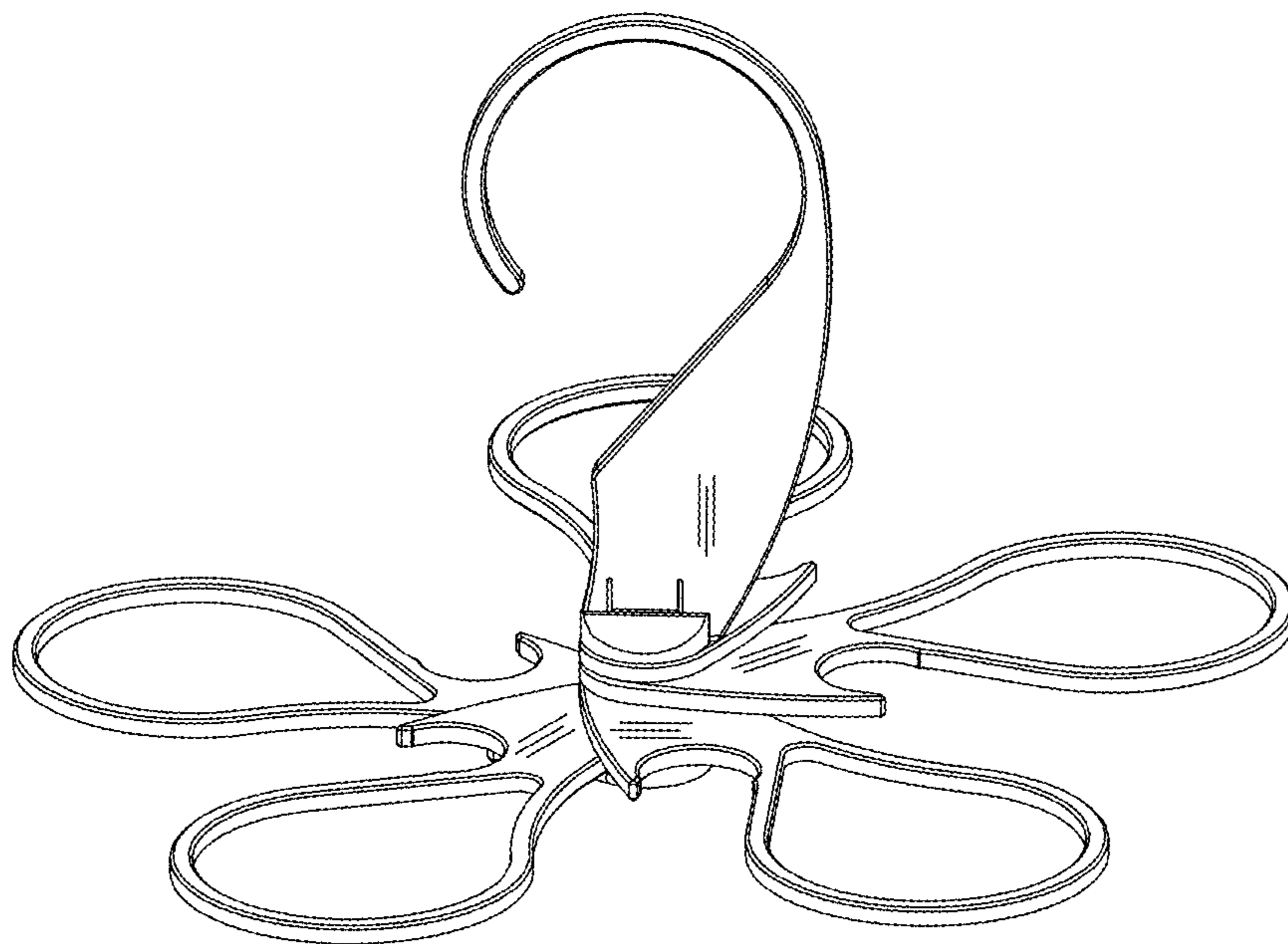


FIG. 4

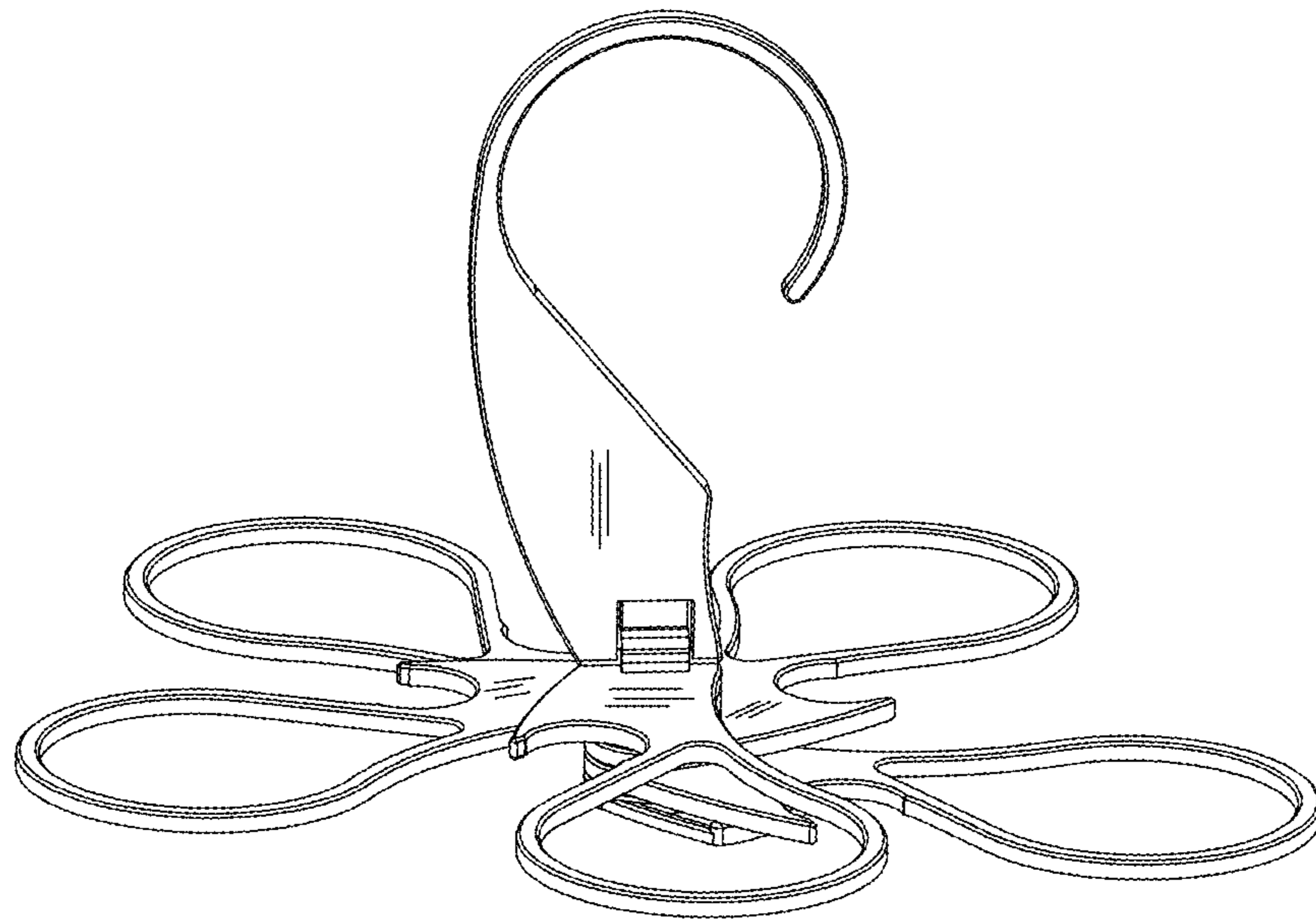


FIG. 5

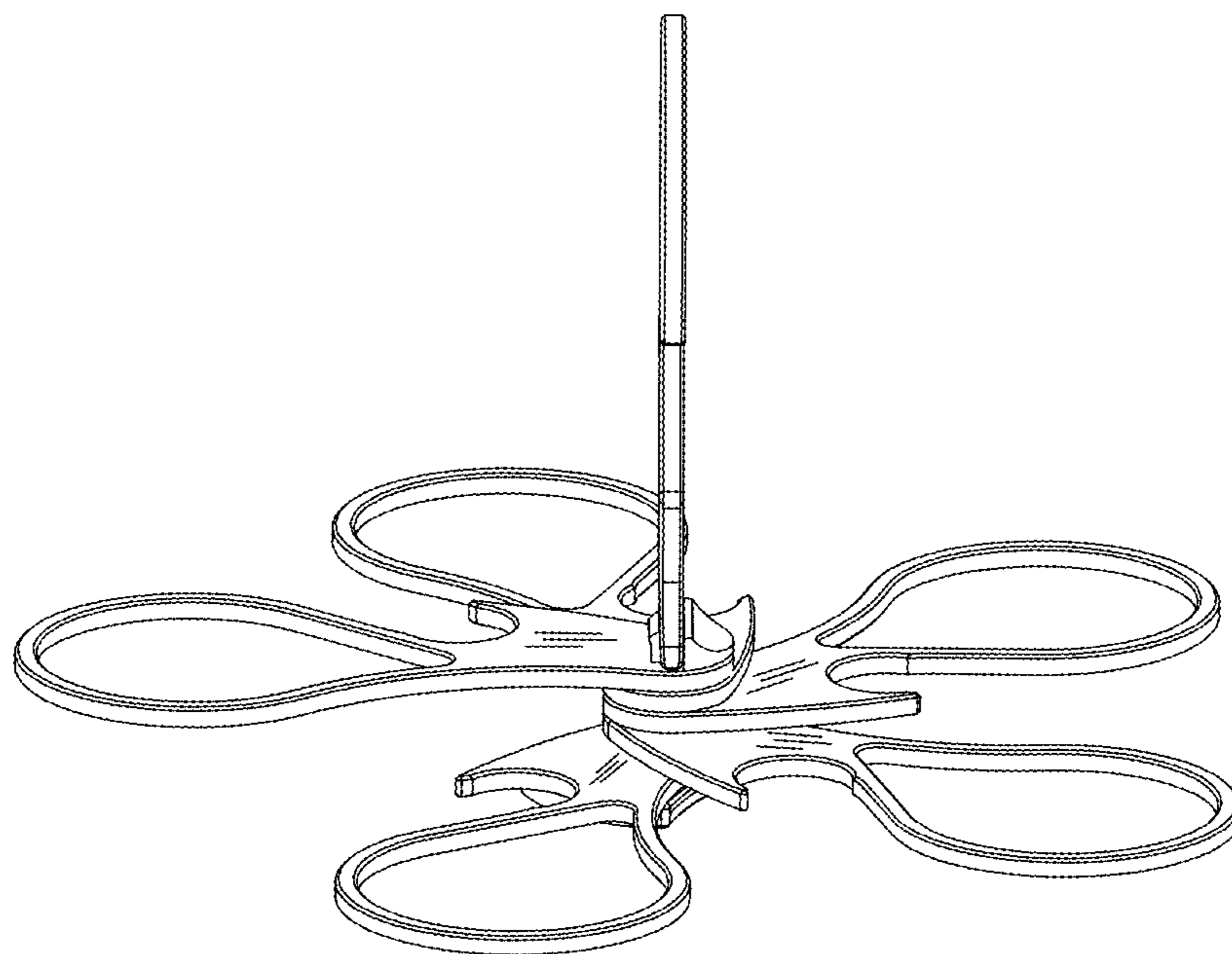


FIG. 6

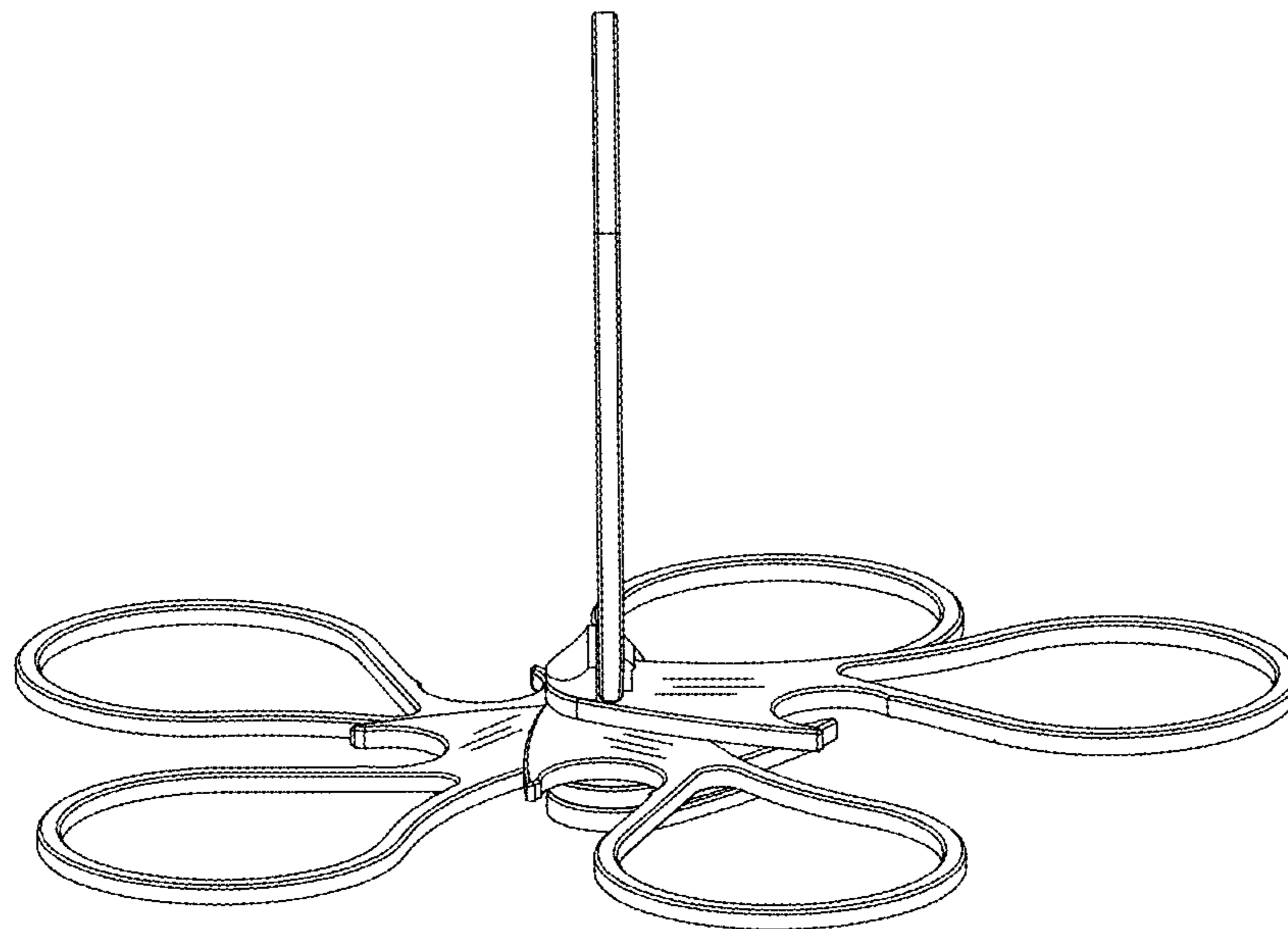


FIG. 7

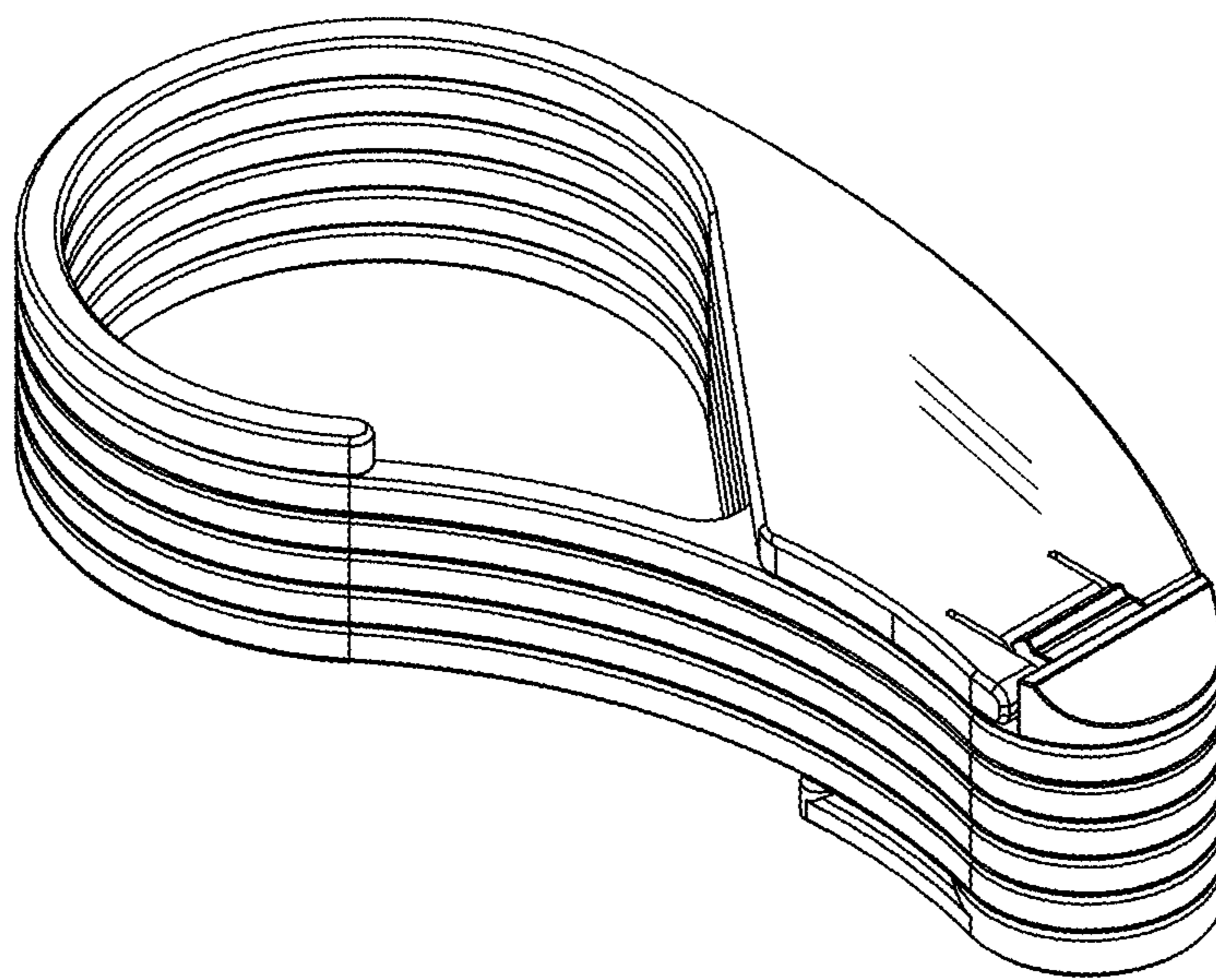


FIG. 8