

US00D928569S

(12) **United States Design Patent** (10) **Patent No.:** **US D928,569 S**
Caplan et al. (45) **Date of Patent:** **** Aug. 24, 2021**

(54) **BAGEL SCOOPER**

(71) Applicant: **Joab Bagels, LLC**, White Plains, NY (US)

(72) Inventors: **Jane Caplan**, White Plains, NY (US); **Ran Lerner**, New York, NY (US); **Avi Josefi Bernstein**, Chicago, IL (US)

(73) Assignee: **Joab Bagels, LLC**, White Plains, NY (US)

(**) Term: **15 Years**

(21) Appl. No.: **29/711,391**

(22) Filed: **Oct. 30, 2019**

(51) **LOC (13) Cl.** **07-06**

(52) **U.S. Cl.**
USPC **D7/693**

(58) **Field of Classification Search**
USPC D7/213, 372, 412, 683, 688, 689, 691, D7/692, 693, 694, 695, 696
CPC A47F 13/08; B65D 61/246
See application file for complete search history.

(56) **References Cited**

U.S. PATENT DOCUMENTS

1,261,689	A	4/1918	Bristle	
2,032,562	A	3/1936	Burns	
D102,440	S *	12/1936	Murphy	D20/43
D153,783	S *	5/1949	George	D7/691
D212,998	S *	12/1968	Kempf	D7/693
D248,786	S *	8/1978	Nakao	D21/473
4,383,367	A	5/1983	Mielnicki	
5,920,991	A	7/1999	Tracy	
D415,660	S *	10/1999	Lion	D7/693
D531,918	S *	11/2006	Heiligenstein	D10/46.2
D622,784	S *	8/2010	Cohen	D21/472
7,907,600	B2	3/2011	Babbar et al.	
D645,767	S *	9/2011	Lupkes	D10/46.2
D823,652	S *	7/2018	Dooley	D7/691

D876,183	S *	2/2020	Yee	D7/691
D903,433	S *	12/2020	Stein	D7/656
D904,138	S *	12/2020	Veldkamp	D7/693
D920,502	S *	5/2021	Laing	D24/122
2007/0209210	A1	9/2007	Henke et al.	
2010/0117262	A1	5/2010	Gringer	

OTHER PUBLICATIONS

Amazon website, The Inside Scoop Bread and Bagel Scooper with an Ergonomic Grip, Date first available on Amazon Sep. 17, 2020, [site visited Jun. 29, 2021], Available on the Internet URL <https://www.amazon.com/Inside-Scoop-Bread-Scooper-Ergonomic/dp/B08JD1L4DY> (Year: 2020).*

Amazon website, Bread Scooper,Bagel Scooper with Comfortably Grip, Date first available on Amazon Jan. 23, 2021, [site visited Jun. 29, 2021], Available on the Internet URL <https://www.amazon.com/dp/B08TT3LT4Y> (Year: 2021).*

* cited by examiner

Primary Examiner — Karen S Acker

Assistant Examiner — Steven B Reinholdt, Jr.

(74) *Attorney, Agent, or Firm* — Mintz, Levin, Cohn, Ferris, Glovsky and Popeo, P.C.

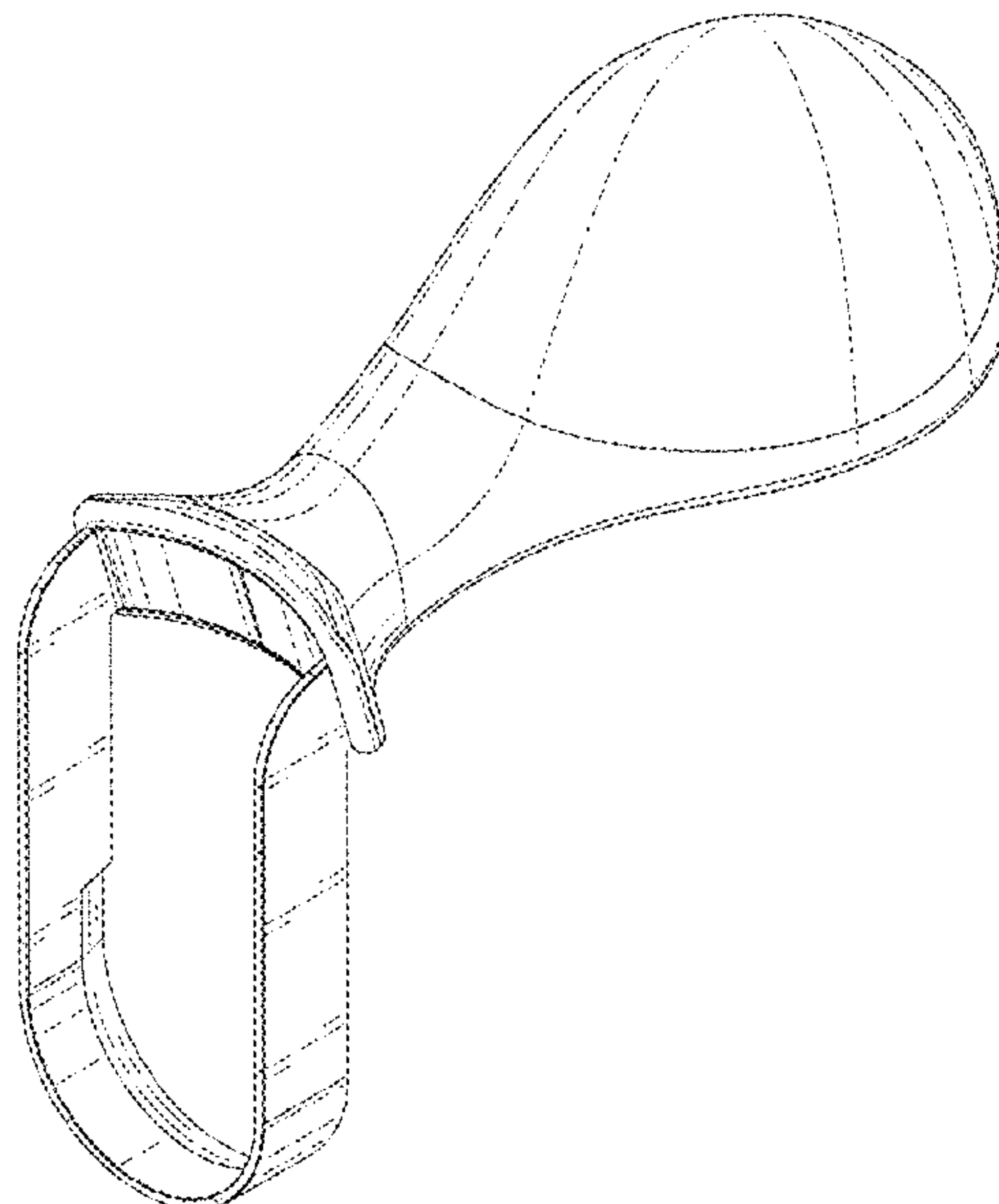
(57) **CLAIM**

The ornamental design for a bagel scooper, as shown and described.

DESCRIPTION

FIG. 1 is a perspective view of a bagel scooper according to the present invention;
FIG. 2 is a front view thereof.
FIG. 3 is a rear view thereof.
FIG. 4 is a left view thereof.
FIG. 5 is a right view thereof.
FIG. 6 is a top view thereof; and,
FIG. 7 is a bottom view thereof.

1 Claim, 7 Drawing Sheets



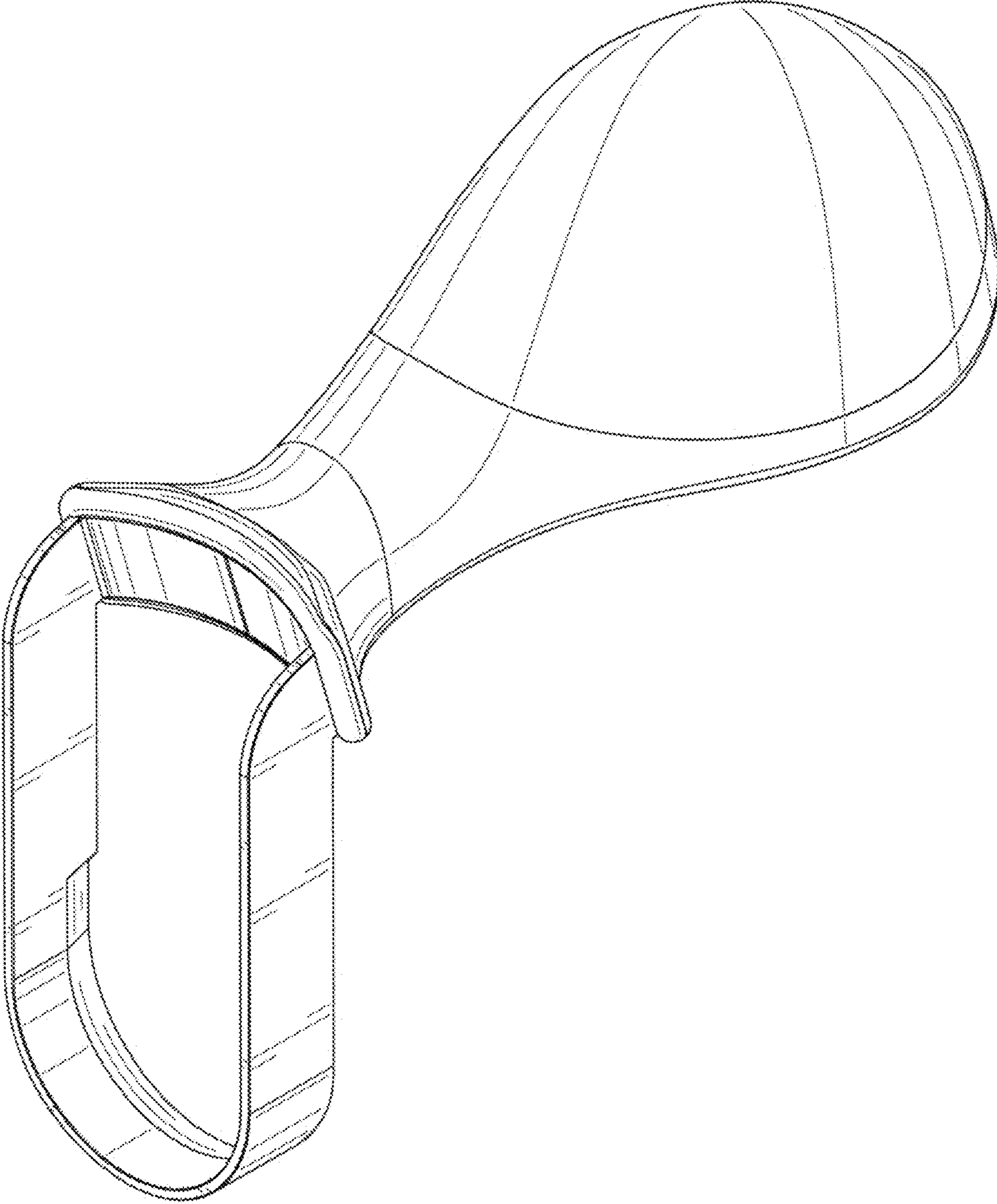


FIG. 1

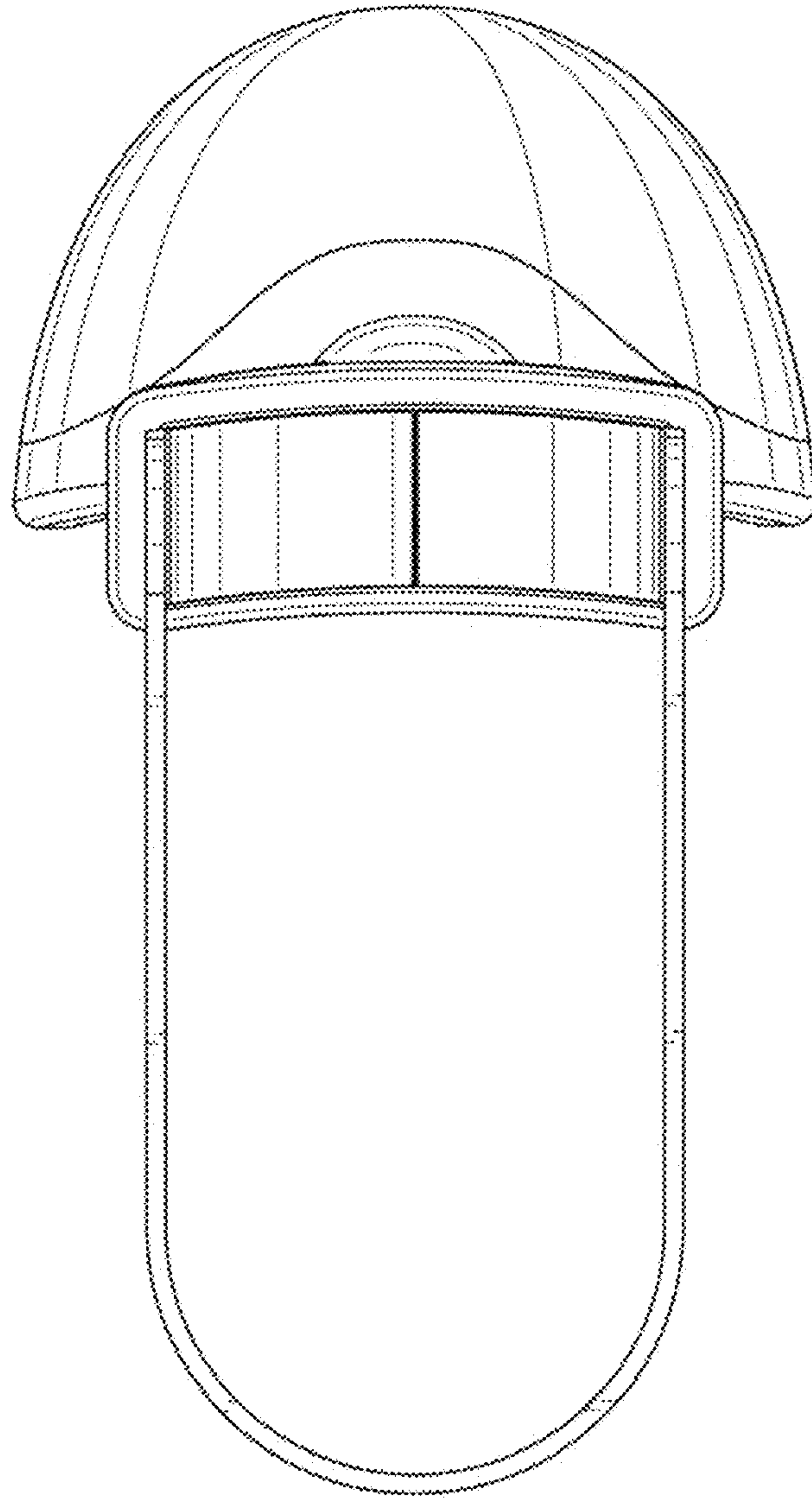


FIG. 2

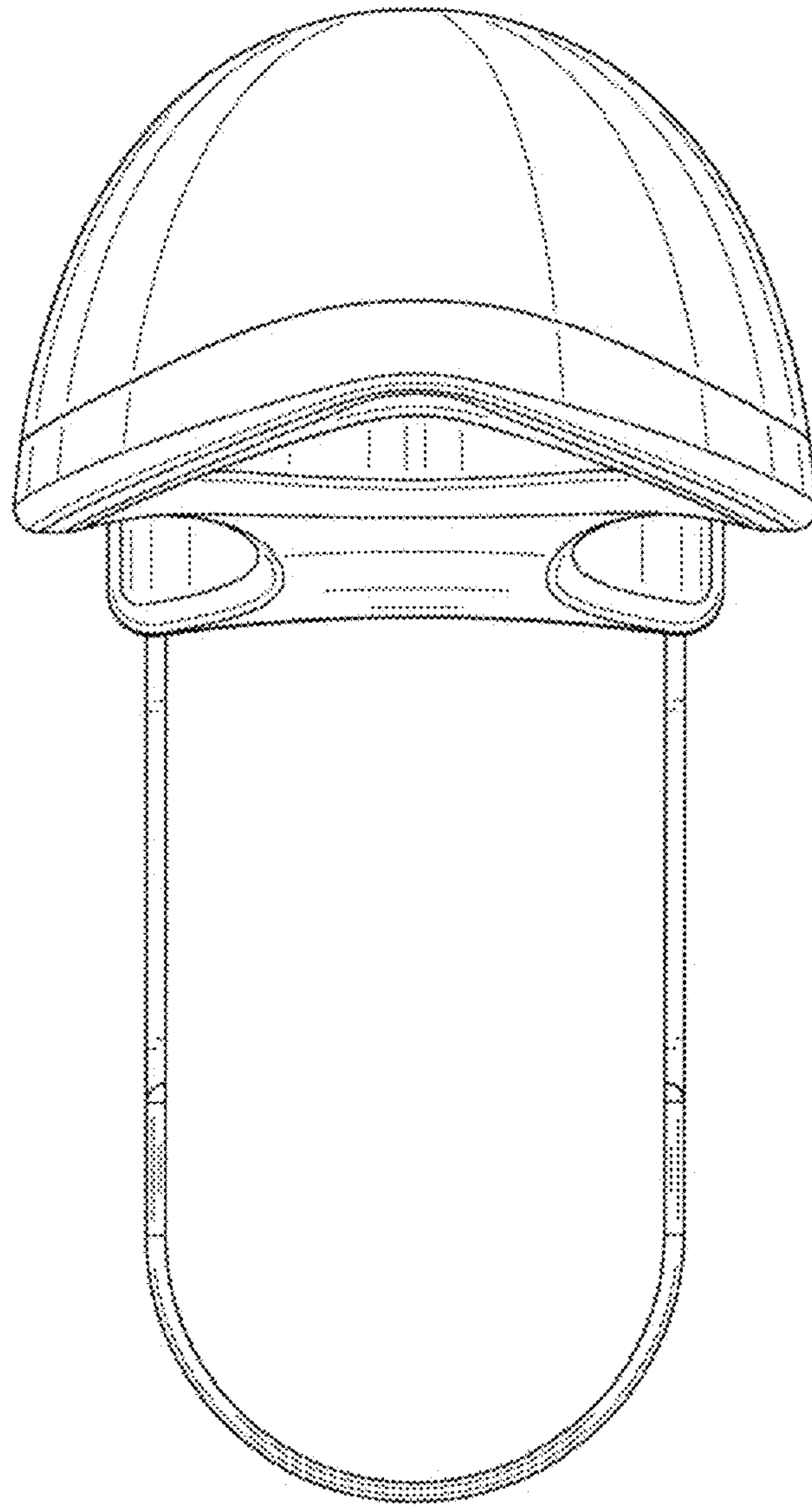


FIG. 3

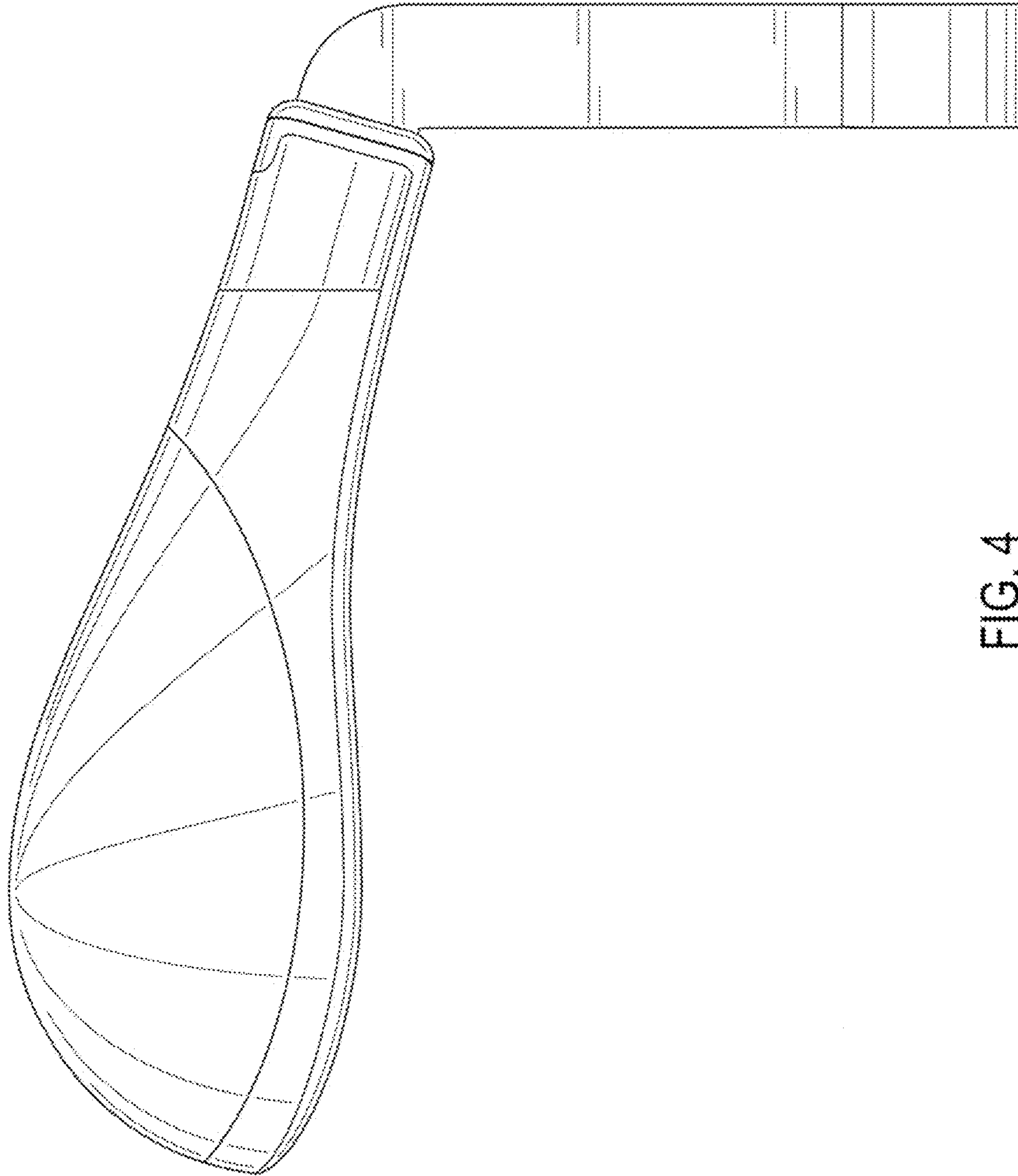


FIG. 4

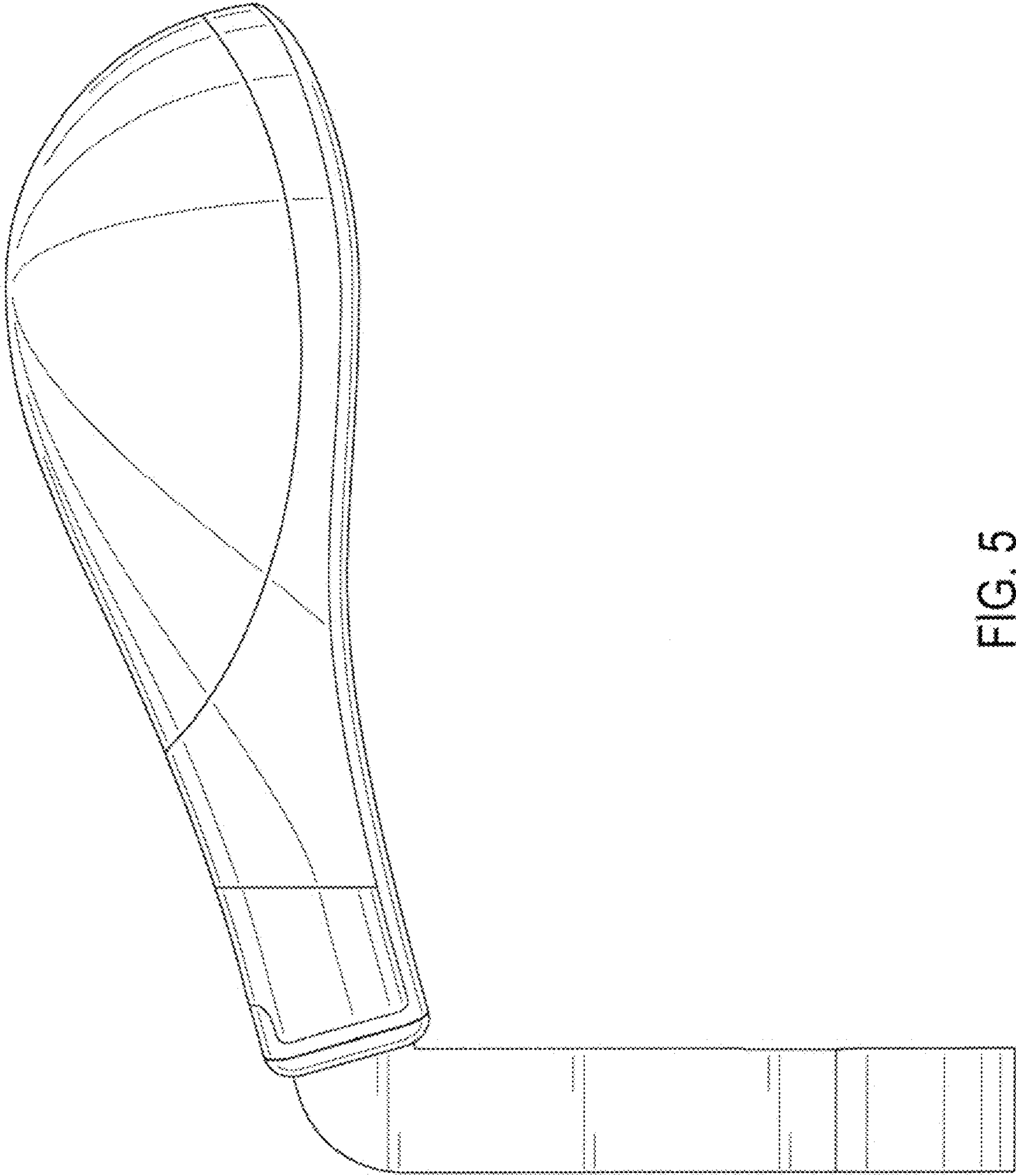


FIG. 5

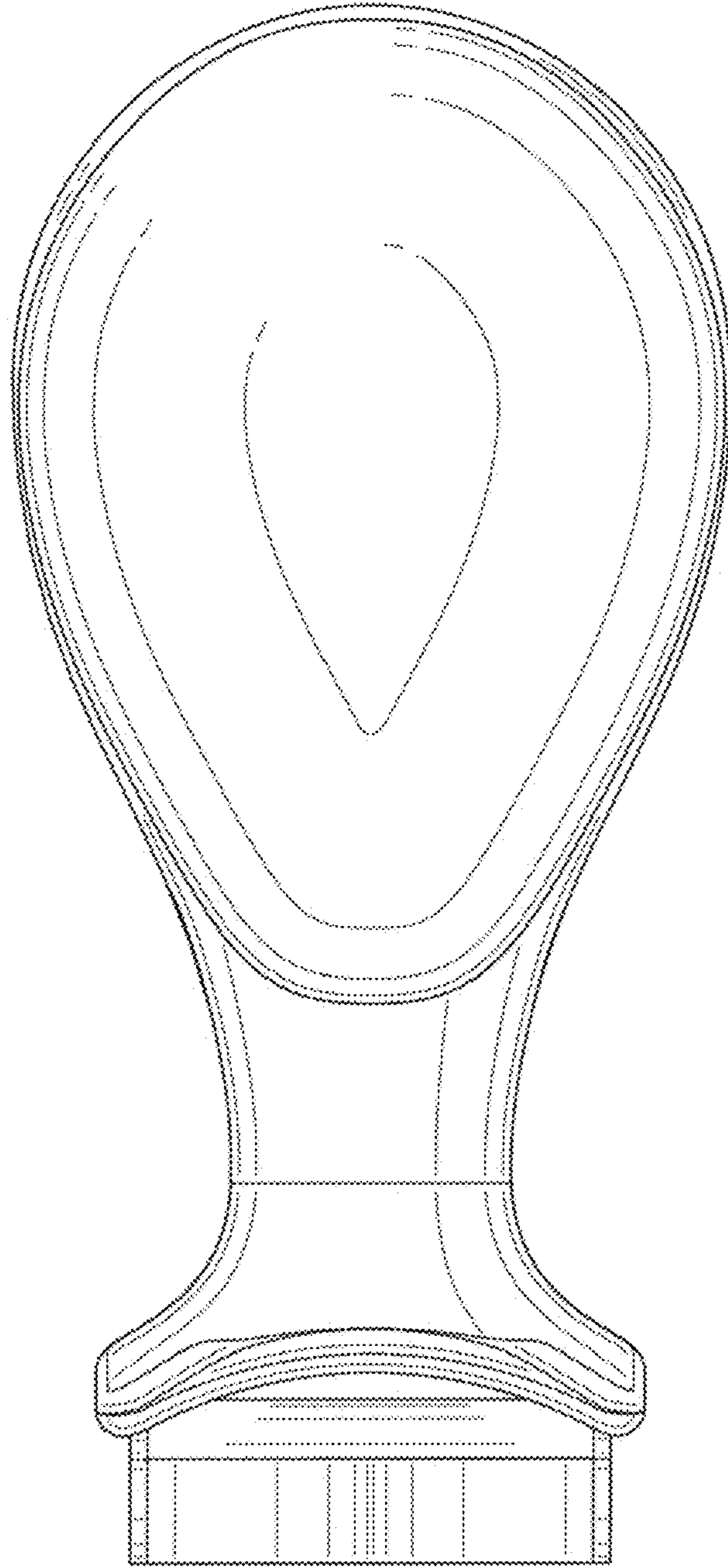


FIG. 6

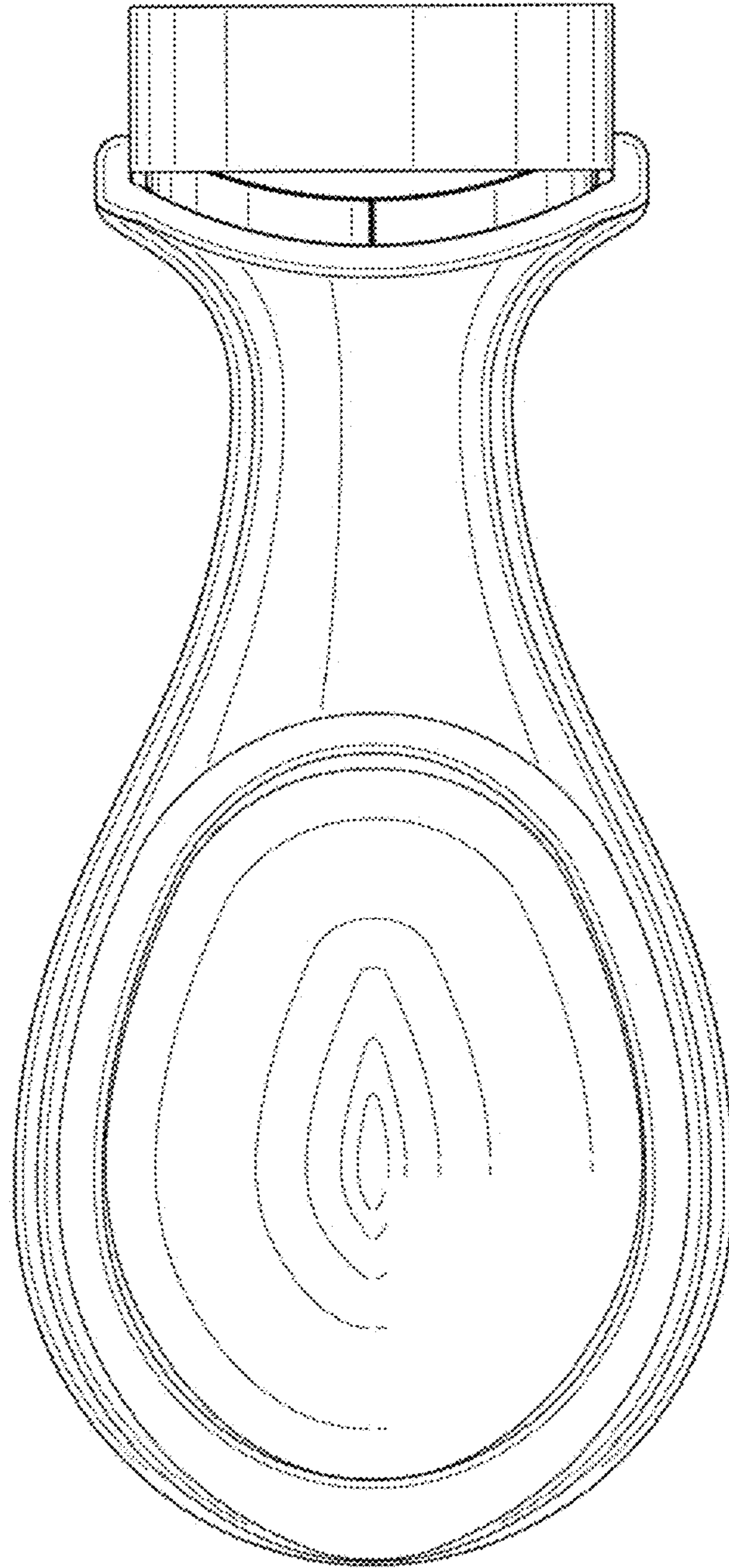


FIG. 7