



US00D928568S

(12) **United States Design Patent**  
**Rigas et al.**

(10) **Patent No.:** **US D928,568 S**

(45) **Date of Patent:** **\*\* Aug. 24, 2021**

(54) **MAGNETIC KNIFE HOLDER**

(71) Applicants: **Peter Rigas**, Yardley, PA (US); **David Stowers**, Morristown, NJ (US)

(72) Inventors: **Peter Rigas**, Yardley, PA (US); **David Stowers**, Morristown, NJ (US)

(73) Assignee: **Tomzi International Ltd**, Yardley, PA (US)

(\*\*) Term: **15 Years**

(21) Appl. No.: **29/659,437**

(22) Filed: **Aug. 9, 2018**

(51) **LOC (13) Cl.** ..... **07-99**

(52) **U.S. Cl.**  
USPC ..... **D7/637**

(58) **Field of Classification Search**  
USPC ..... D7/637-641; 30/298.4; 211/60.1, 70.6,  
211/70.7; 248/37.3, 37.6; D3/273, 274,  
D3/306; D19/77, 81-86; D6/566, 574  
CPC ..... A47B 88/20; A47F 7/00; A47G 21/00;  
A47G 21/14; B26B 3/00  
See application file for complete search history.

(56) **References Cited**

**U.S. PATENT DOCUMENTS**

5,011,102 A \* 4/1991 Kiefer ..... A47G 21/14  
211/DIG. 1  
D419,832 S \* 2/2000 Kwok ..... D7/637

D439,039 S \* 3/2001 Austin ..... D3/220  
D517,376 S \* 3/2006 Conable ..... D7/637  
D591,567 S \* 5/2009 Yamada ..... D7/637  
D599,109 S \* 9/2009 Windlass ..... D3/220  
D760,551 S \* 7/2016 Laamanen ..... D7/637  
2015/0031274 A1\* 1/2015 Beechinor ..... B24D 15/084  
451/553

\* cited by examiner

*Primary Examiner* — Janice Patyk

(74) *Attorney, Agent, or Firm* — Joseph E. Maenner;  
Maenner & Associates, LLC

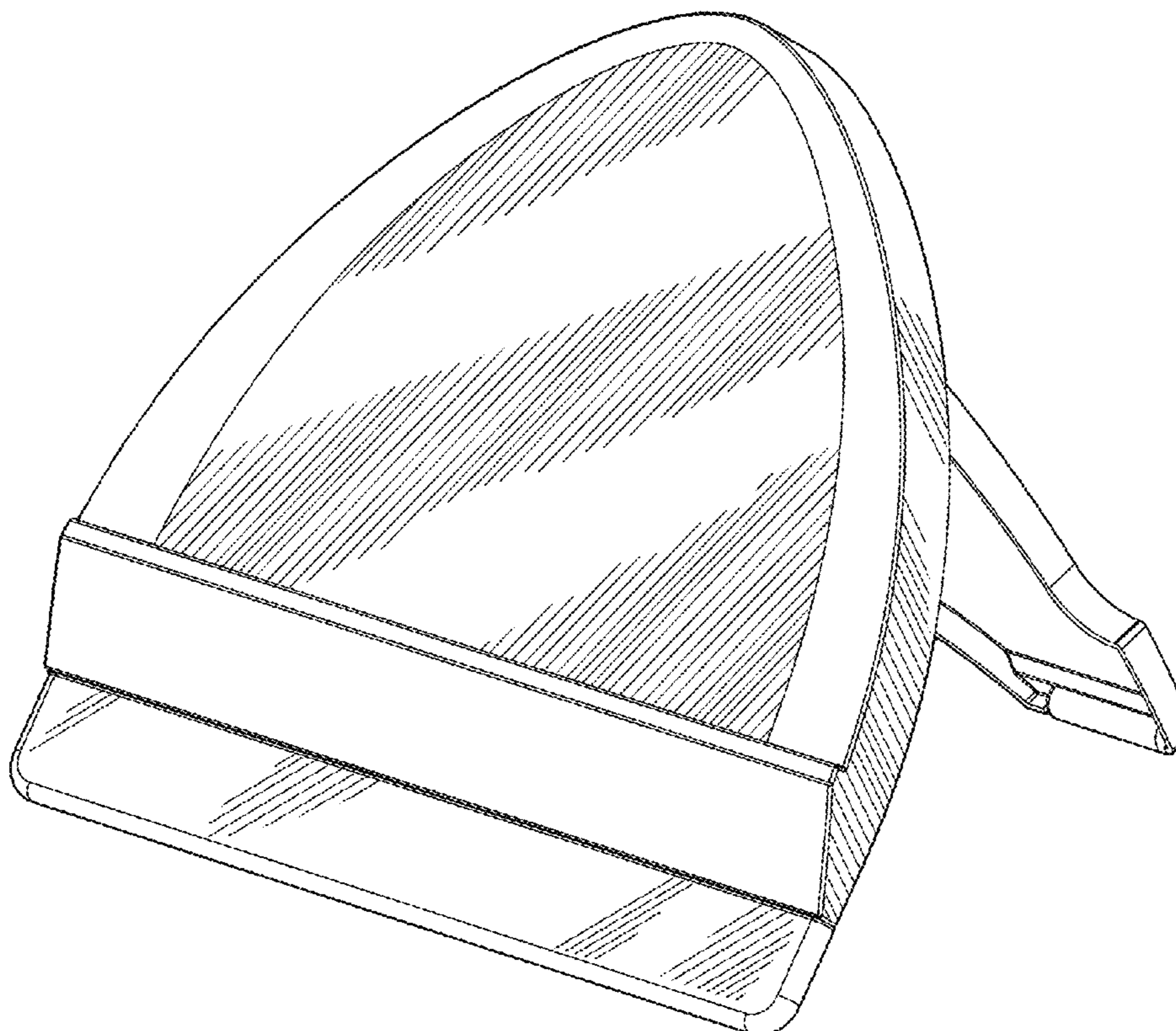
(57) **CLAIM**

The ornamental design for a magnetic knife holder, as shown and described.

**DESCRIPTION**

FIG. 1 is a front perspective view of a magnetic knife holder, showing our new design.  
FIG. 2 is a front elevational view thereof.  
FIG. 3 is a right side elevational view thereof.  
FIG. 4 is a left side elevational view thereof.  
FIG. 5 is a top plan view thereof.  
FIG. 6 is a rear elevational view thereof; and,  
FIG. 7 is a bottom plan view thereof.  
The broken lines in the figures illustrate the portions of the design that form no part of the claimed design.

**1 Claim, 3 Drawing Sheets**



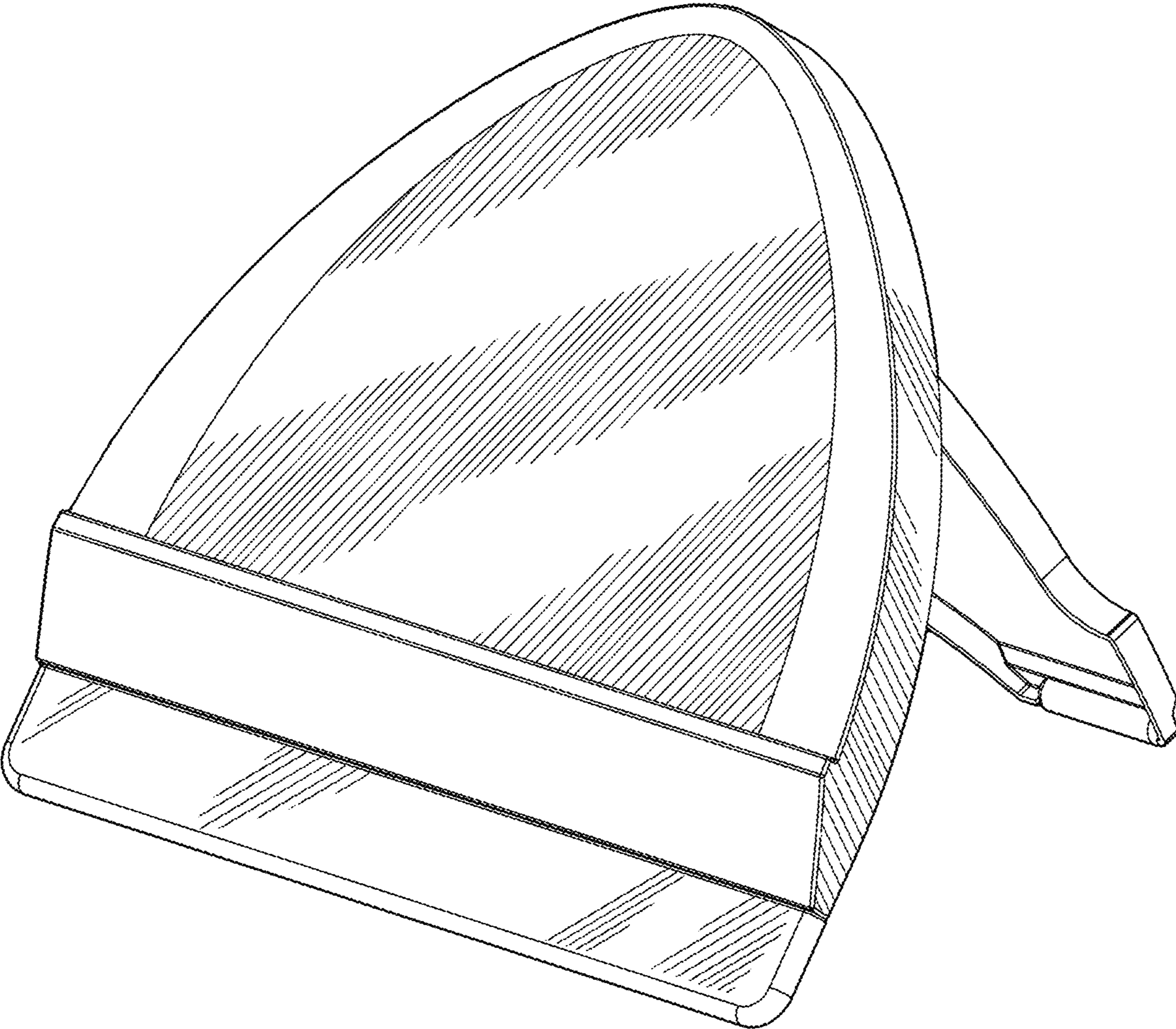


FIG. 1



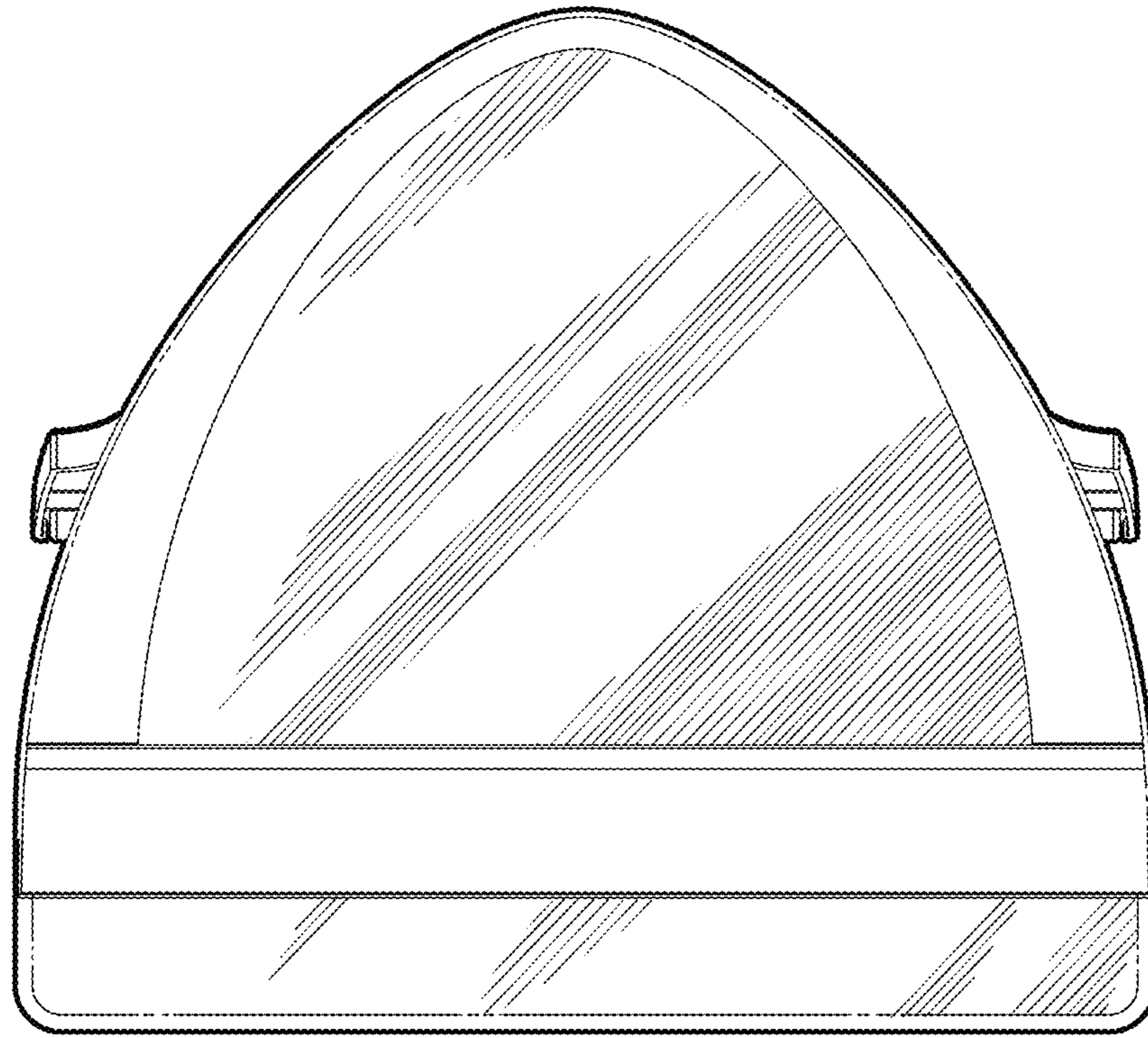


FIG. 2

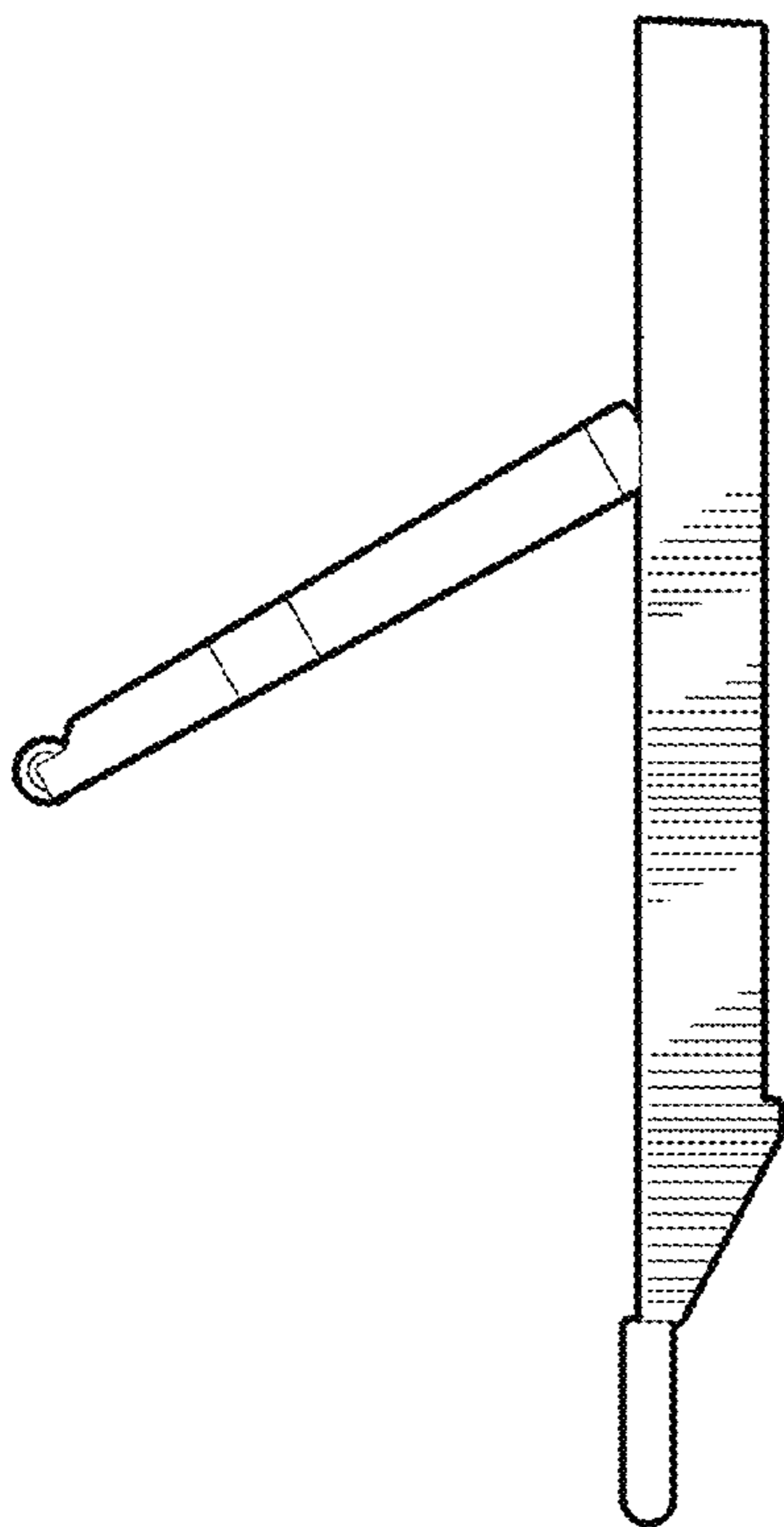


FIG. 3

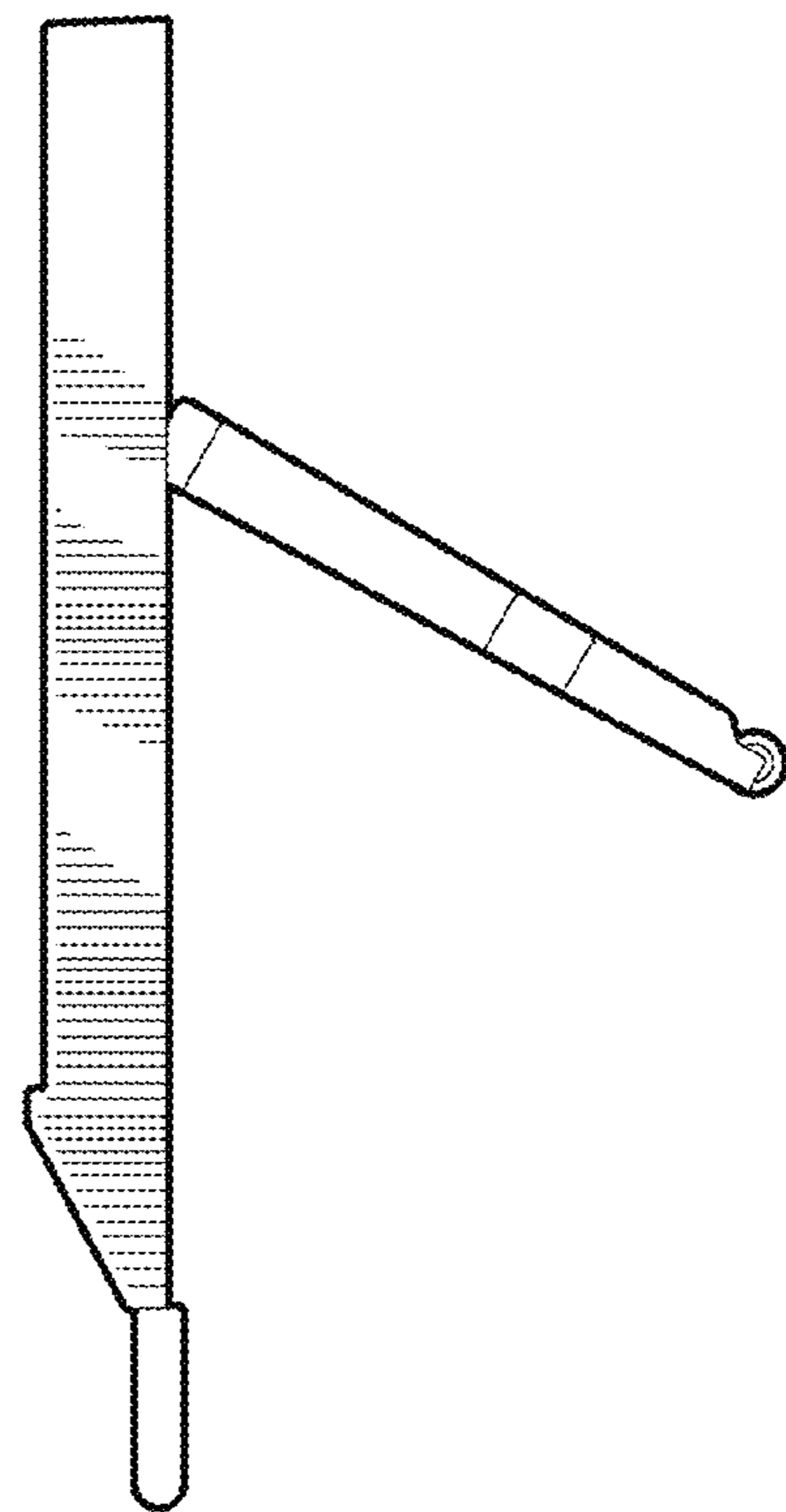


FIG. 4

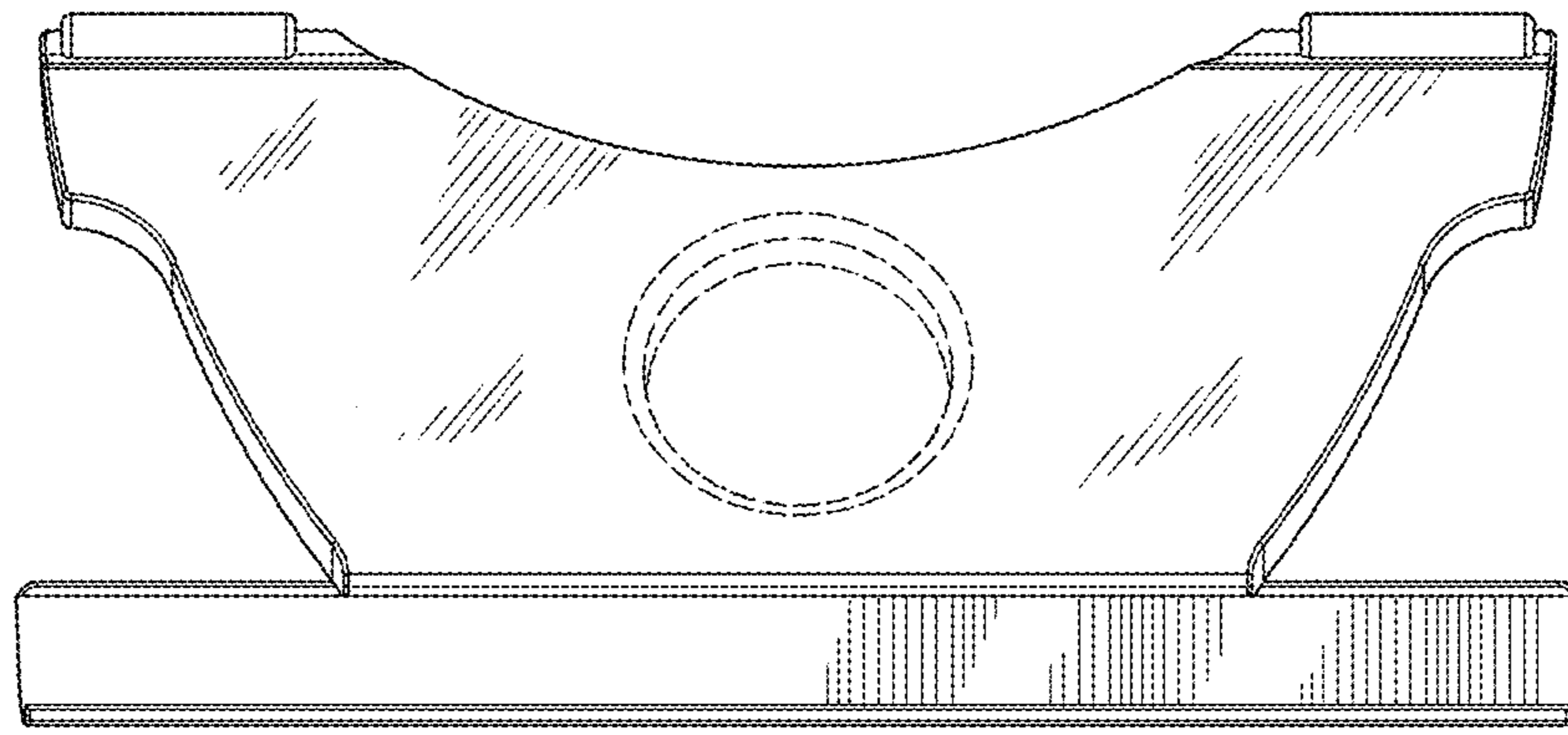


FIG. 5

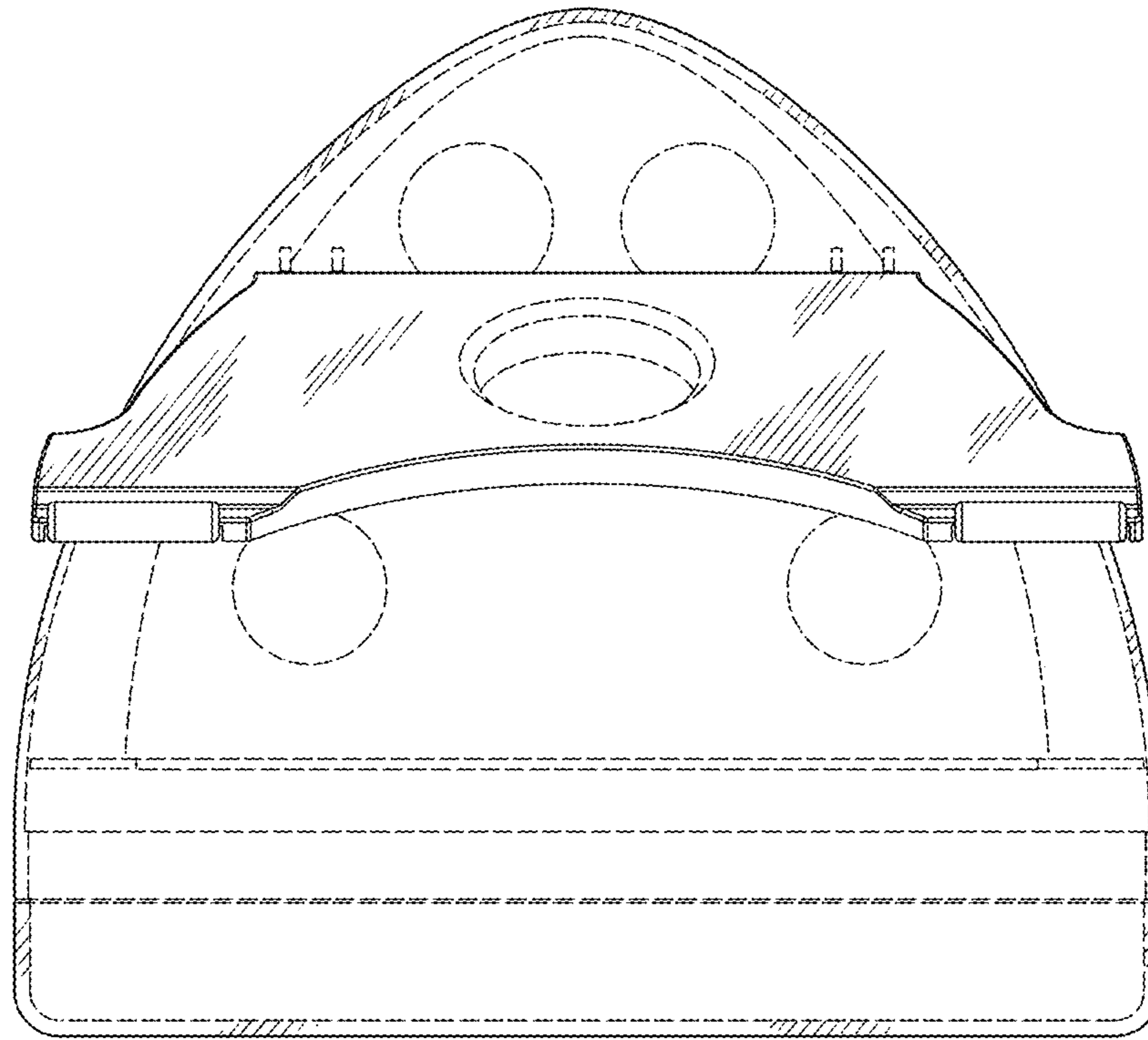


FIG. 6

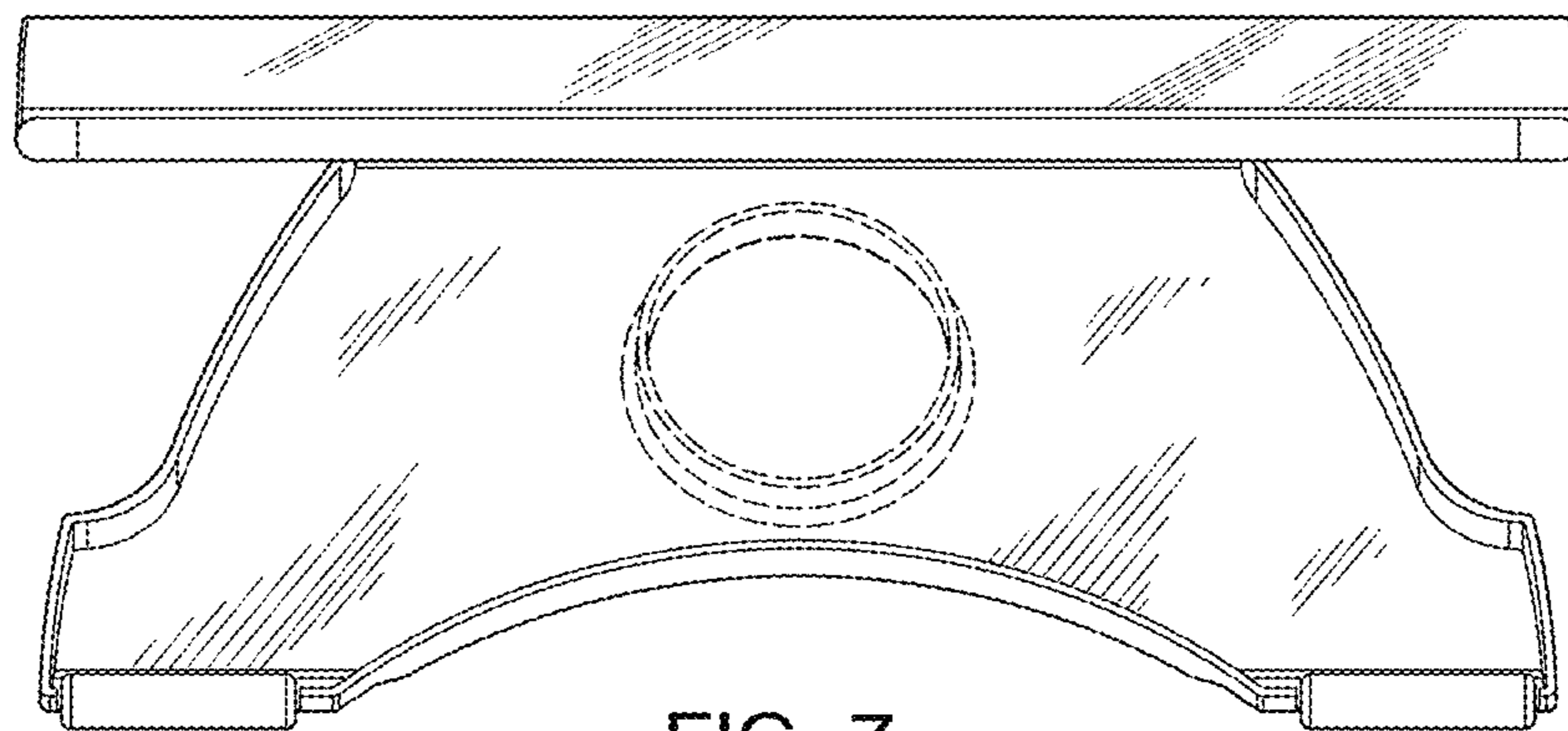


FIG. 7