



US00D928566S

(12) **United States Design Patent**  
**Manz et al.**

(10) **Patent No.:** **US D928,566 S**

(45) **Date of Patent:** **\*\* Aug. 24, 2021**

(54) **FOOD CONTAINER**

(71) Applicant: **Pacotrade AG**, Zug (CH)

(72) Inventors: **Roland Manz**, Hagendorf (CH); **Peter Kiser**, Boningen (CH)

(\*\*) Term: **15 Years**

(21) Appl. No.: **35/508,978**

(22) Filed: **Sep. 30, 2019**

(80) **Hague Agreement Data**

Int. Filing Date: **Sep. 30, 2019**

Int. Reg. No.: **DM/205669**

Int. Reg. Date: **Sep. 30, 2019**

Int. Reg. Pub. Date: **Apr. 3, 2020**

(51) **LOC (13) Cl.** ..... **07-07**

(52) **U.S. Cl.**  
USPC ..... **D7/602; D7/603**

(58) **Field of Classification Search**  
USPC ..... **D7/602, 603; D11/152; D9/500, 772, D9/777**

CPC ..... **A47F 7/0071; B65D 2543/00296**  
See application file for complete search history.

(56) **References Cited**

**U.S. PATENT DOCUMENTS**

3,464,582	A	*	9/1969	Greitzer	.....	B65D 43/0212
						220/786
D241,228	S	*	8/1976	Boduch	.....	D9/428
D285,767	S	*	9/1986	Zieff	.....	D7/603
D330,514	S	*	10/1992	Edwards	.....	D7/603
D337,187	S	*	7/1993	Hampshire	.....	D11/152
D379,287	S	*	5/1997	Carlson	.....	D7/602
D384,864	S	*	10/1997	Carlson	.....	D7/602
D390,460	S	*	2/1998	Schmidt	.....	D9/428
D405,387	S	*	2/1999	Masello	.....	D11/152
D474,111	S	*	5/2003	Lazaris	.....	D9/425
D564,394	S	*	3/2008	Schmidt	.....	D11/152
D606,363	S	*	12/2009	Aardenburg	.....	D7/400
D652,266	S	*	1/2012	Smyers	.....	D7/630

D695,110	S	*	12/2013	Houlton	.....	D9/500
D700,839	S	*	3/2014	O'Brien	.....	D9/429
D715,649	S	*	10/2014	O'Brien	.....	D9/500
D732,347	S	*	6/2015	Katterheinrich	.....	D7/603
D739,295	S	*	9/2015	Thuma	.....	D11/152
D746,641	S	*	1/2016	Panone	.....	D7/602

(Continued)

**FOREIGN PATENT DOCUMENTS**

WO	D205669-001	*	4/2020
WO	D205669-002	*	4/2020

(Continued)

**OTHER PUBLICATIONS**

Rich Rosendale Shop website, Pacojet Pacotizing Beaker with Lids, Earliest date on Internet Archive Nov. 21, 2020, [site visited Feb. 3, 2021], Available on the Internet URL <https://web.archive.org/web/20200921051303/https://richrosendaleshop.com/products/pacojet-pacotizing-beakers-with-lids> (Year: 2020).\*

(Continued)

*Primary Examiner* — George D. Kirschbaum  
*Assistant Examiner* — Steven B Reinholdt, Jr.

(57) **CLAIM**

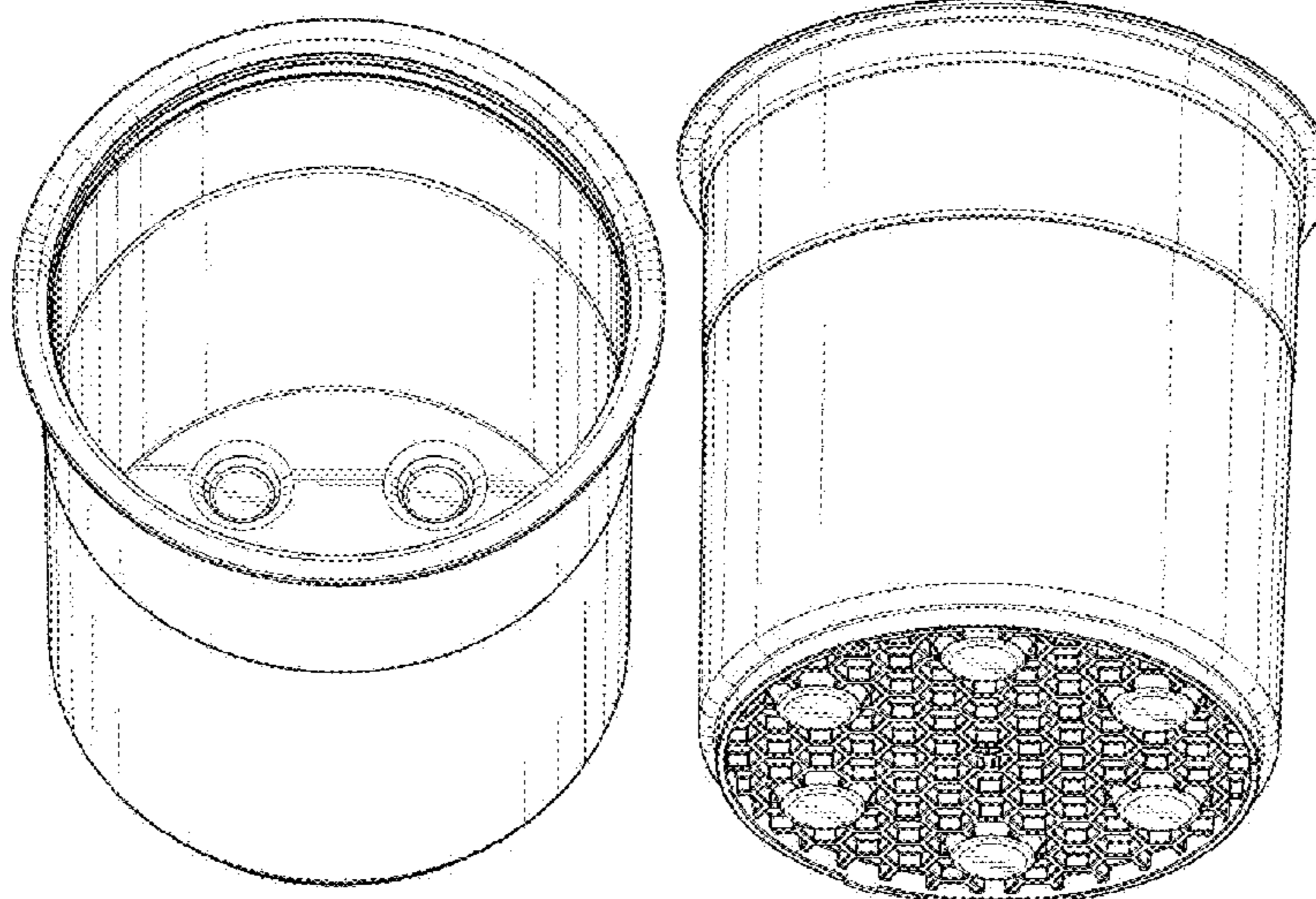
The ornamental design for a food container, as shown and described.

**DESCRIPTION**

- 1. Food container
- 1.1: Perspective
- 1.2: Perspective
- 1.3: Front
- 1.4: Back
- 1.5: Left
- 1.6: Top
- 1.7: Bottom

The right side view is omitted because it is a mirror image of the left side view.

**1 Claim, 7 Drawing Sheets**



(56)

**References Cited**

U.S. PATENT DOCUMENTS

D798,718 S \* 10/2017 Foster ..... D9/500  
D817,757 S \* 5/2018 Kim ..... D9/429  
D825,335 S \* 8/2018 Buck ..... D9/500  
D852,589 S \* 7/2019 Bertsch ..... D7/629  
D877,618 S \* 3/2020 Baker ..... D9/500  
2005/0133508 A1\* 6/2005 Landis ..... B65D 43/027  
220/276

FOREIGN PATENT DOCUMENTS

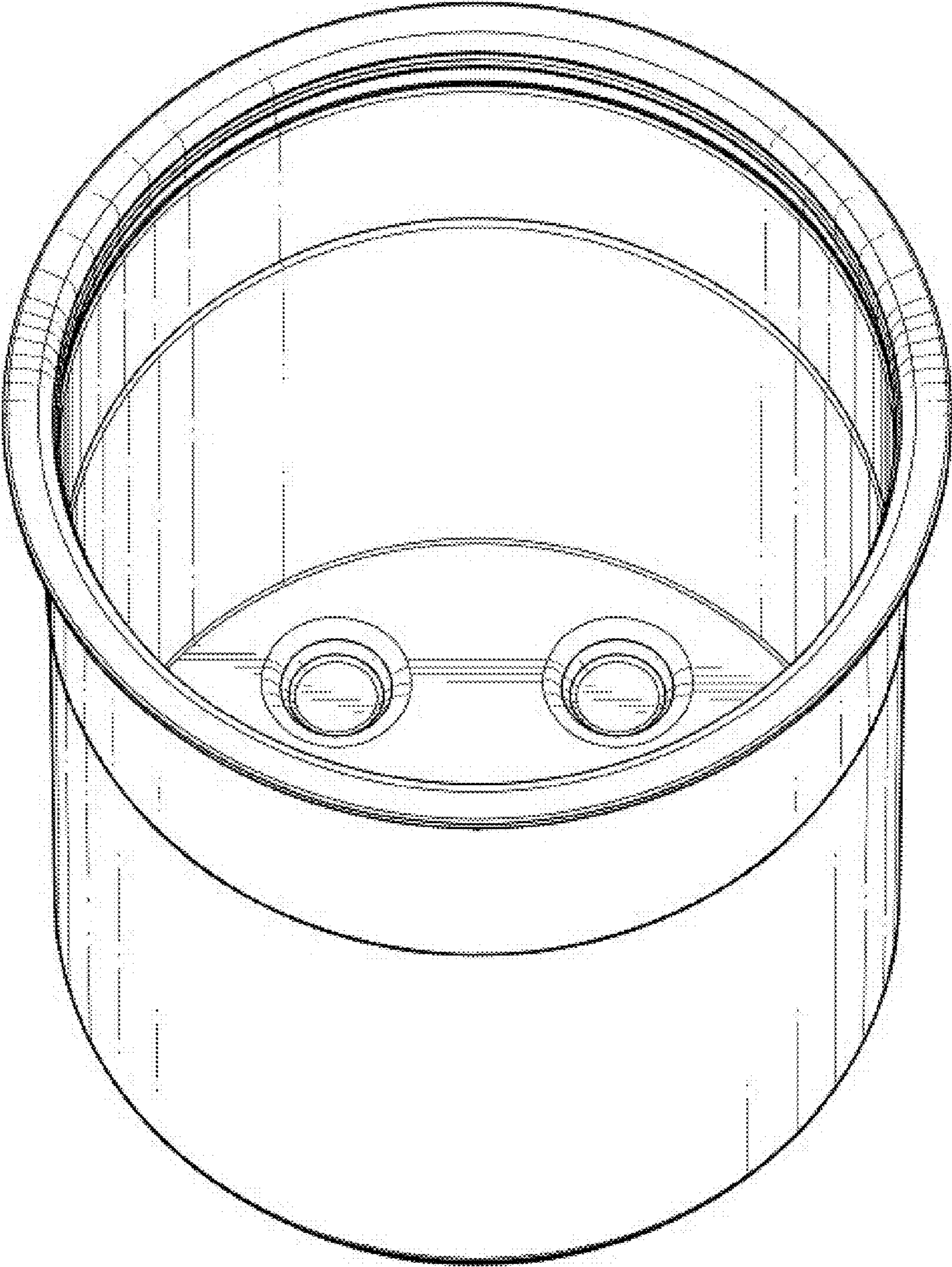
WO D205670-001 \* 4/2020  
WO D205670-002 \* 4/2020

OTHER PUBLICATIONS

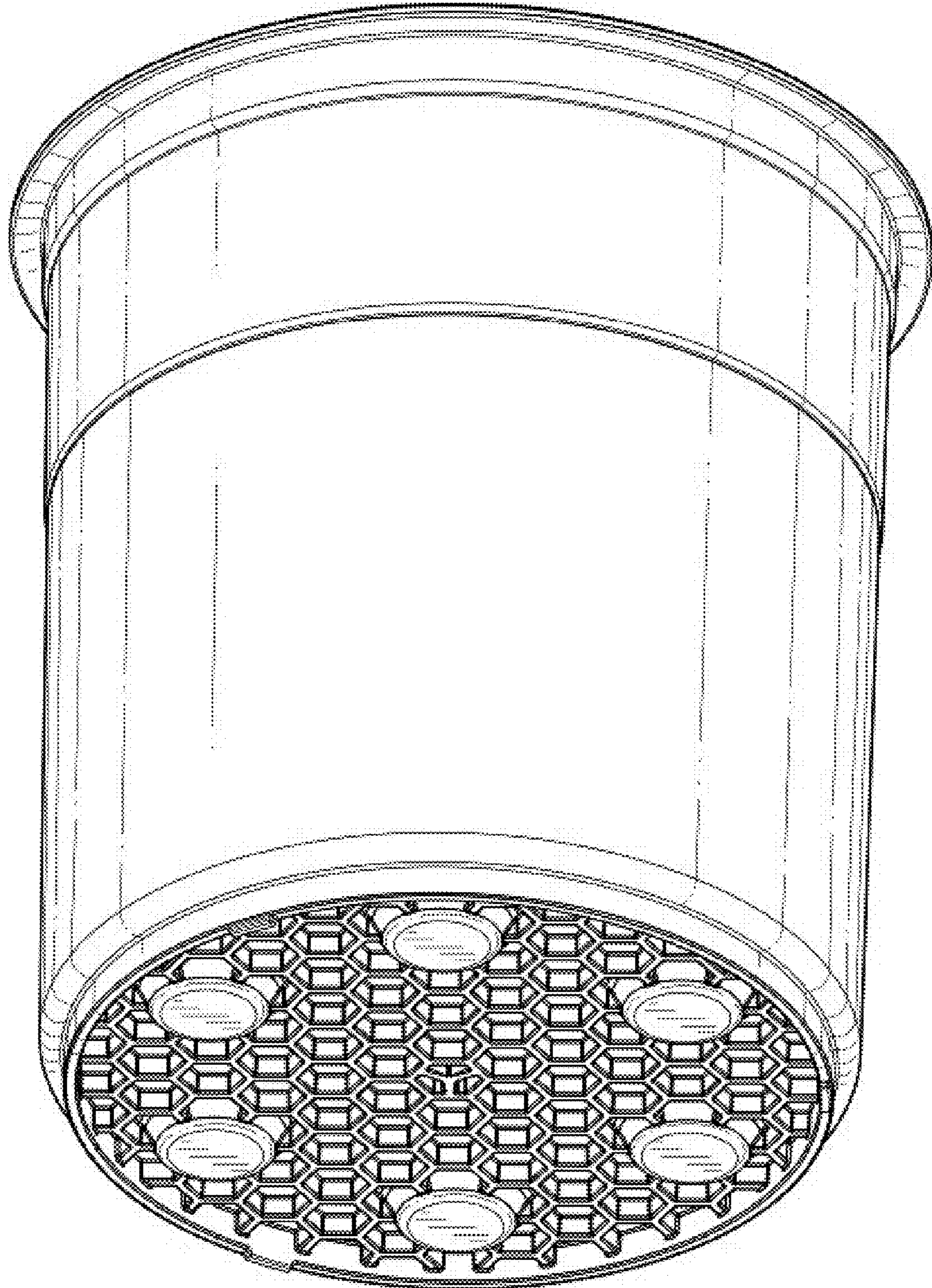
Amazon website, Tupperware Round Rock 'n Serve Mega Deep,  
Earliest date on Amazon Oct. 7, 2007, [site visited Feb. 3, 2021],  
Available on the Internet URL <https://www.amazon.com/Tupperware-Round-Serve-Deep-Mint-Green/dp/B000WWWNOM> (Year: 2007).\*

\* cited by examiner

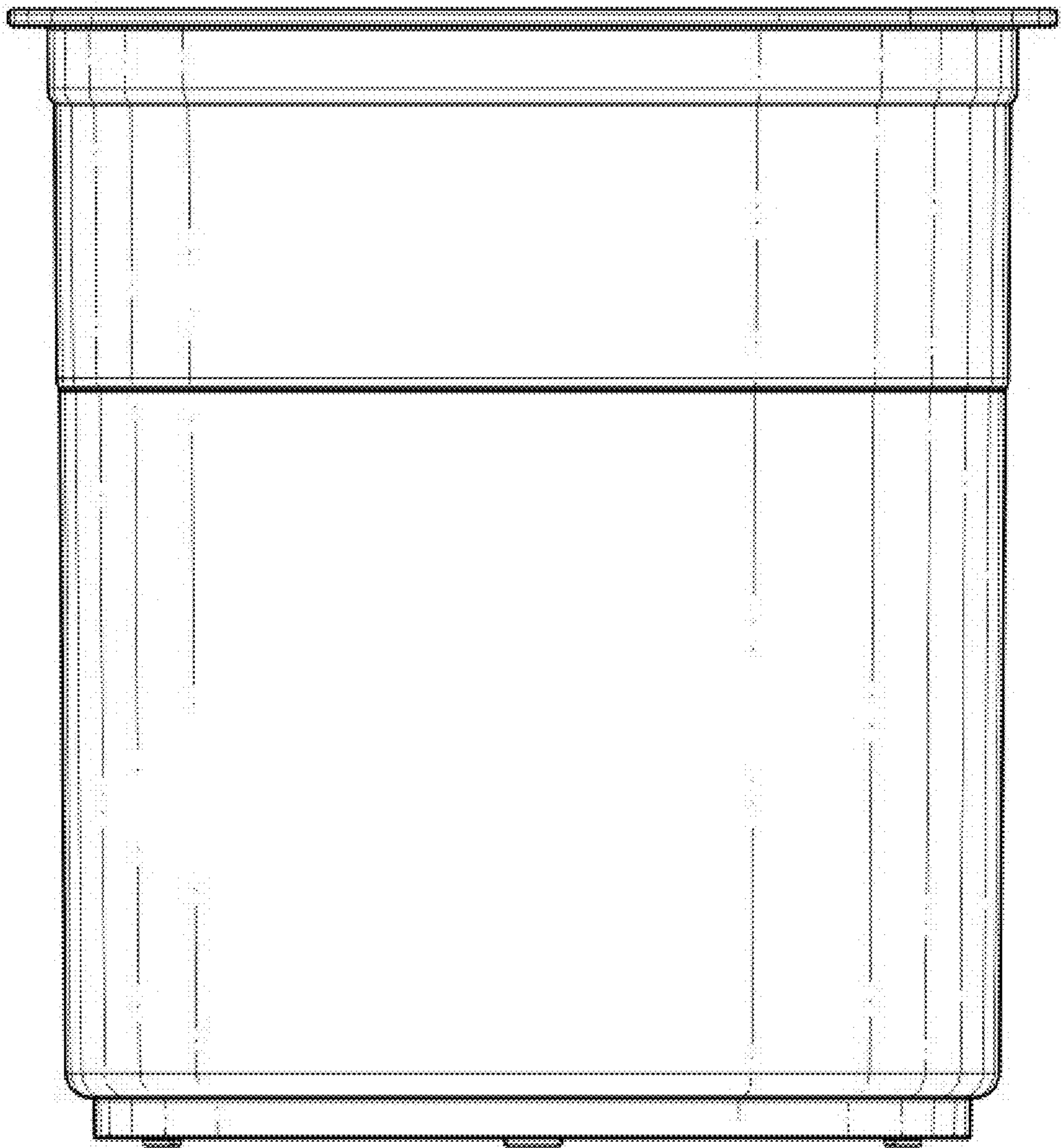
**1.1**



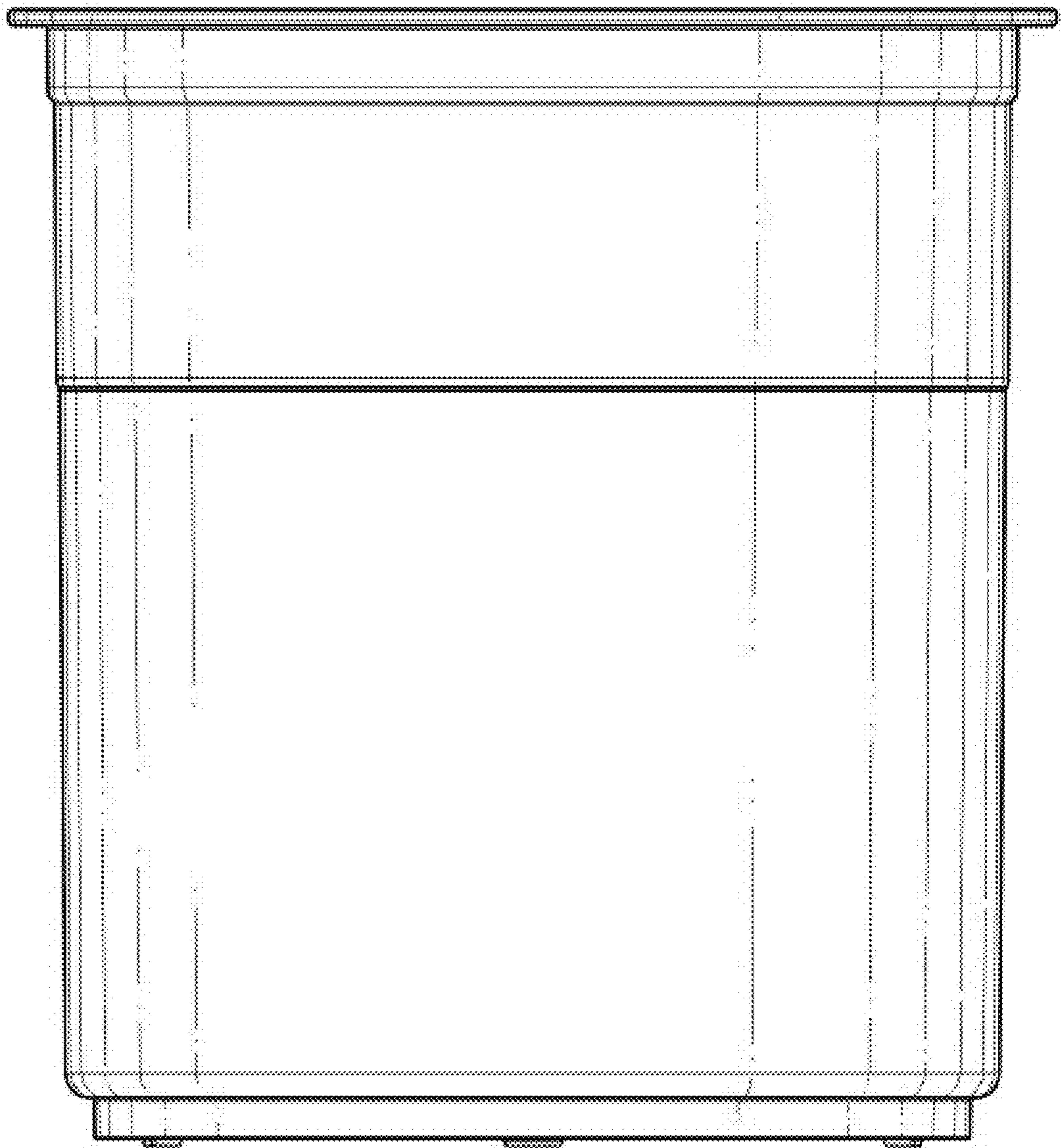
# 1.2



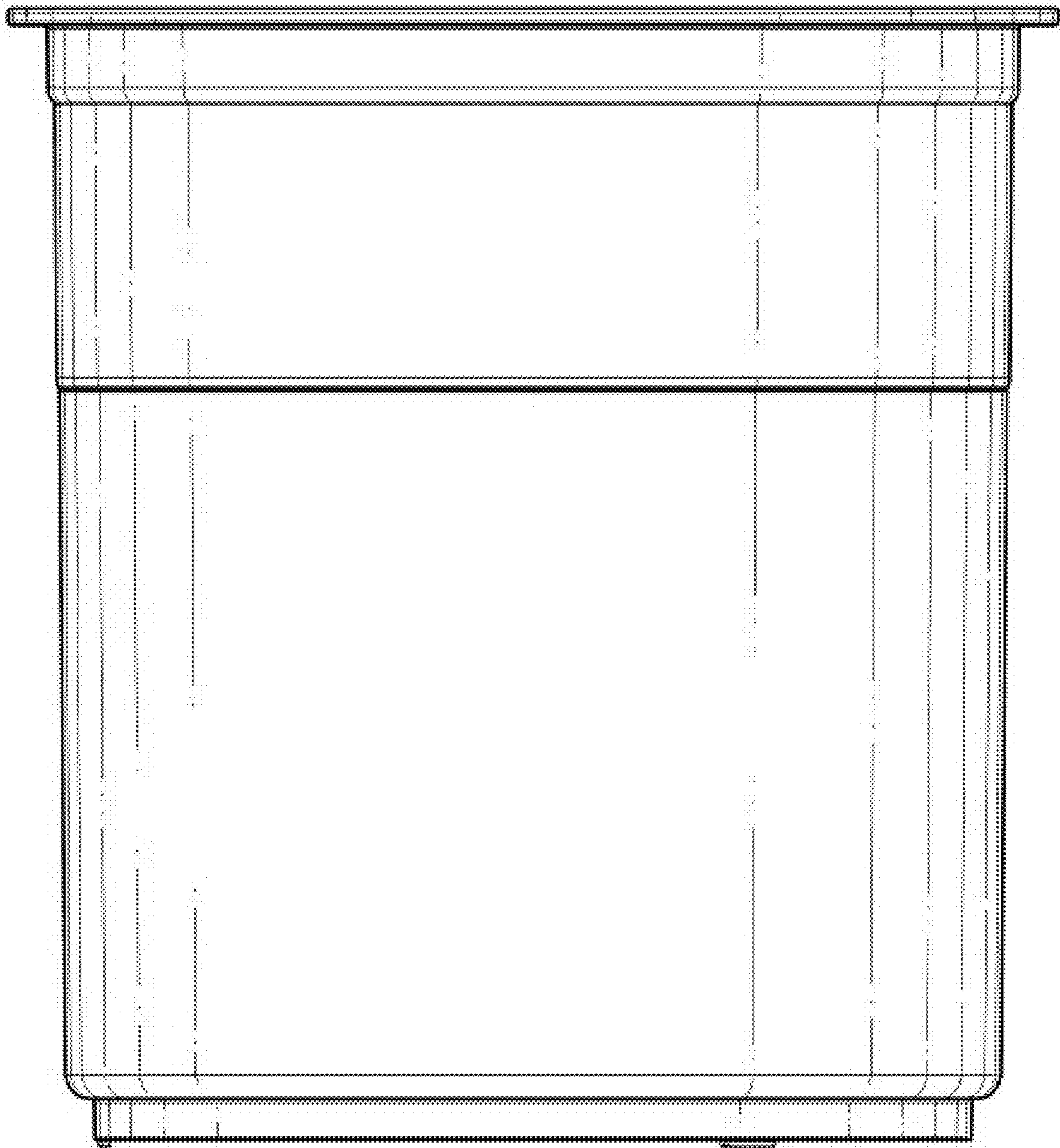
# 1.3



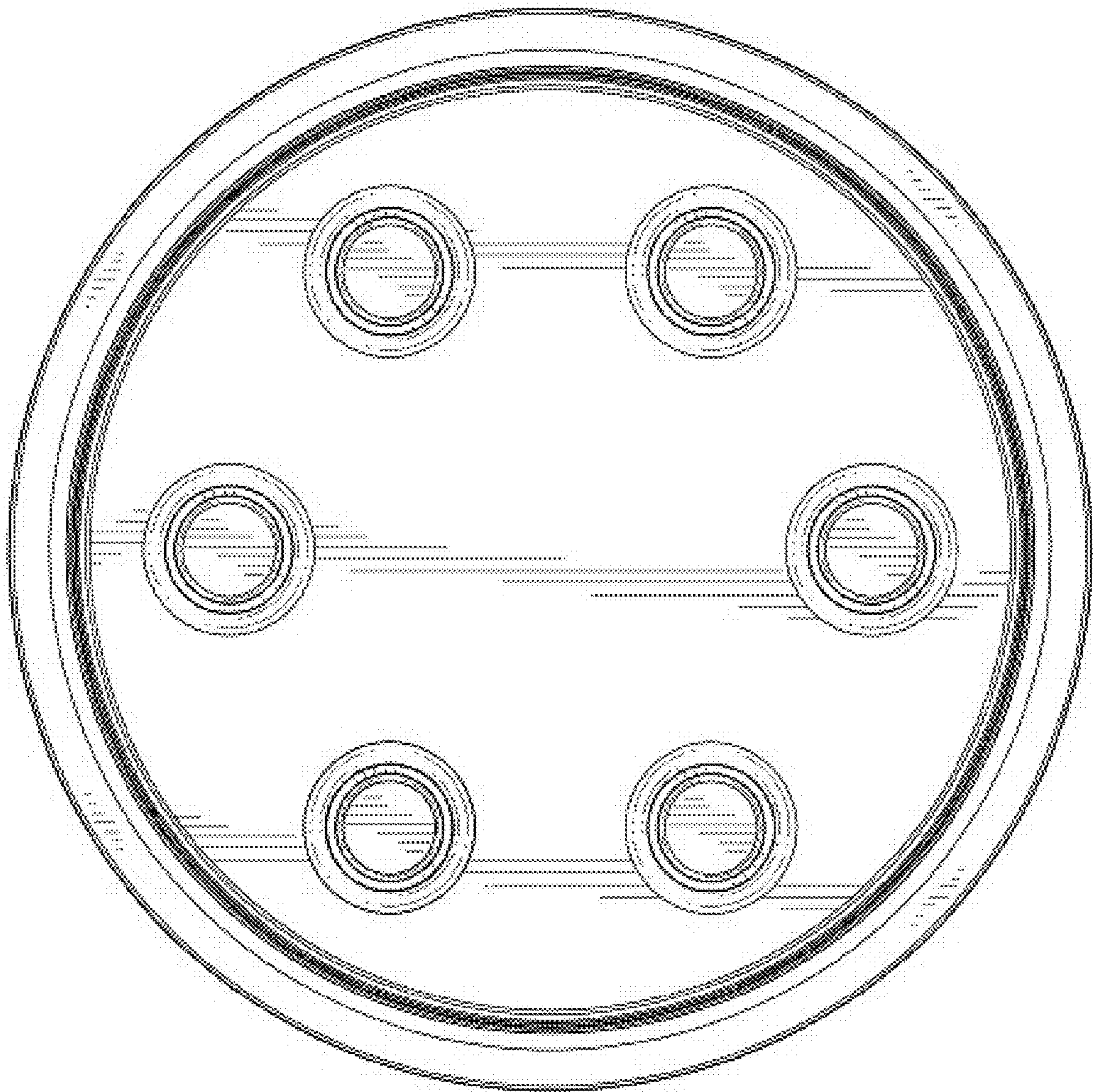
1.4



**1.5**



# 1.6





1.7

