



US00D928564S

(12) **United States Design Patent** (10) **Patent No.:** **US D928,564 S**
Kaytas et al. (45) **Date of Patent:** **** Aug. 24, 2021**

(54) **DRINKING CUP**
(71) Applicants: **Baskim Kaytas**, Munich (DE); **Michael Herkommer**, Munich (DE); **Ruth Winterstein**, Kösching (DE); **Alper Ilter**, Istanbul (TR)
(72) Inventors: **Baskim Kaytas**, Munich (DE); **Michael Herkommer**, Munich (DE); **Ruth Winterstein**, Kösching (DE); **Alper Ilter**, Istanbul (TR)

D423,300 S * 4/2000 Matsuyama D7/608
D502,056 S * 2/2005 Bakti D7/507
D548,522 S * 8/2007 Greenspon D7/507
D622,549 S * 8/2010 Carreno D7/533
D682,610 S * 5/2013 Carder D7/392.1
D693,649 S * 11/2013 Yeung D7/622
D695,076 S * 12/2013 Cocci D7/533
D752,391 S * 3/2016 Hatherell D7/511
D773,809 S * 12/2016 Lieser D3/232
D773,896 S * 12/2016 Dai D7/507
D790,919 S * 7/2017 Moser D7/507
D809,385 S * 2/2018 Brinkworth D9/445
10,010,213 B2 * 7/2018 Alexander F25D 3/08

(**) Term: **15 Years**
(21) Appl. No.: **29/705,317**
(22) Filed: **Sep. 11, 2019**

(Continued)
Primary Examiner — Jae Liang
(74) *Attorney, Agent, or Firm* — Dicke, Billig & Czaja, PLLC

(30) **Foreign Application Priority Data**
Mar. 14, 2019 (EM) 006309712-0001
Mar. 14, 2019 (EM) 006309712-0002
Mar. 14, 2019 (EM) 006309712-0003
Mar. 14, 2019 (EM) 006309712-0004

(57) **CLAIM**
The ornamental design for a drinking cup, as shown and described.

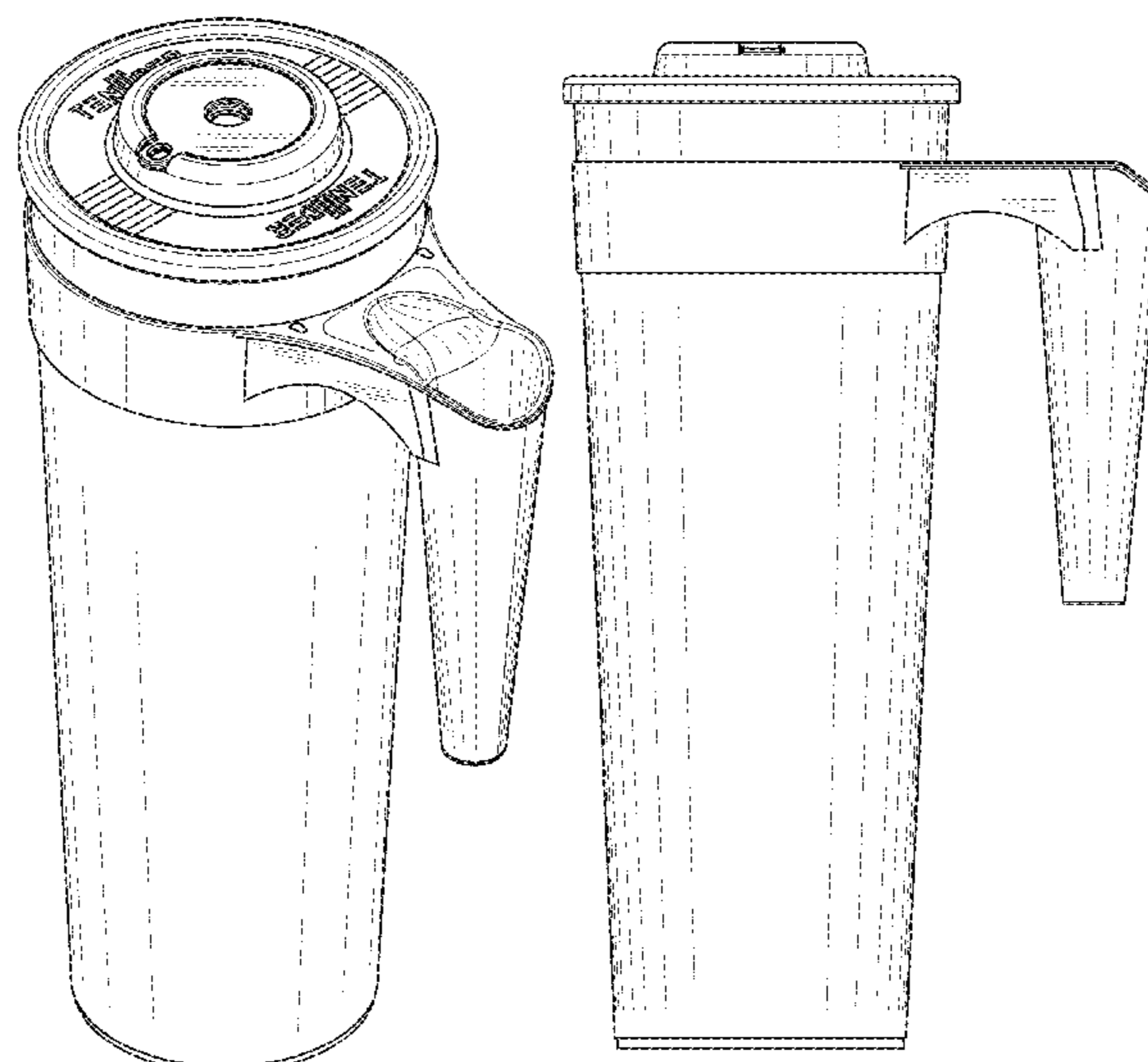
(51) **LOC (13) Cl.** **07-01**
(52) **U.S. Cl.**
USPC **D7/510; D7/511; D7/533**
(58) **Field of Classification Search**
USPC D7/507, 509, 510, 511, 523, 532, 533, D7/536, 608, 601, 602, 392.1, 396.2, 512, D7/708.1, 619.1, 622, 633; D9/503, 504; D24/197, 199; D3/202
CPC A47G 19/22; A47G 19/2288; A47G 19/2205; A47G 2019/2277; A45F 3/20; A47J 41/02
See application file for complete search history.

DESCRIPTION

FIG. 1 is a perspective view of a first embodiment of a drinking cup showing our new design; FIG. 2 is a front view of the drinking cup of FIG. 1; FIG. 3 is a side view of the drinking cup of FIG. 1; FIG. 4 is a bottom view of the drinking cup of FIG. 1; FIG. 5 is a top view of the drinking cup of FIG. 1; FIG. 6 is a perspective view of a second embodiment of a drinking cup; FIG. 7 is a front view of the drinking cup of FIG. 6; FIG. 8 is a side view of the drinking cup of FIG. 6; FIG. 9 is a bottom view of the drinking cup of FIG. 6; and, FIG. 10 is a top view of the drinking cup of FIG. 6. The broken lines in the Figures are included for the purpose of illustrating portions of the drinking cup that form no part of the claimed design.

(56) **References Cited**
U.S. PATENT DOCUMENTS
5,219,419 A * 6/1993 Prothe A47G 19/23 206/515
D398,815 S * 9/1998 Hatsumoto D7/533

1 Claim, 10 Drawing Sheets



(56)

References Cited

U.S. PATENT DOCUMENTS

D839,666 S * 2/2019 Bradshaw D7/396.2
2018/0194520 A1 * 7/2018 Lovern A01N 25/34
2020/0146479 A1 * 5/2020 Verbeeck A47G 23/02

* cited by examiner

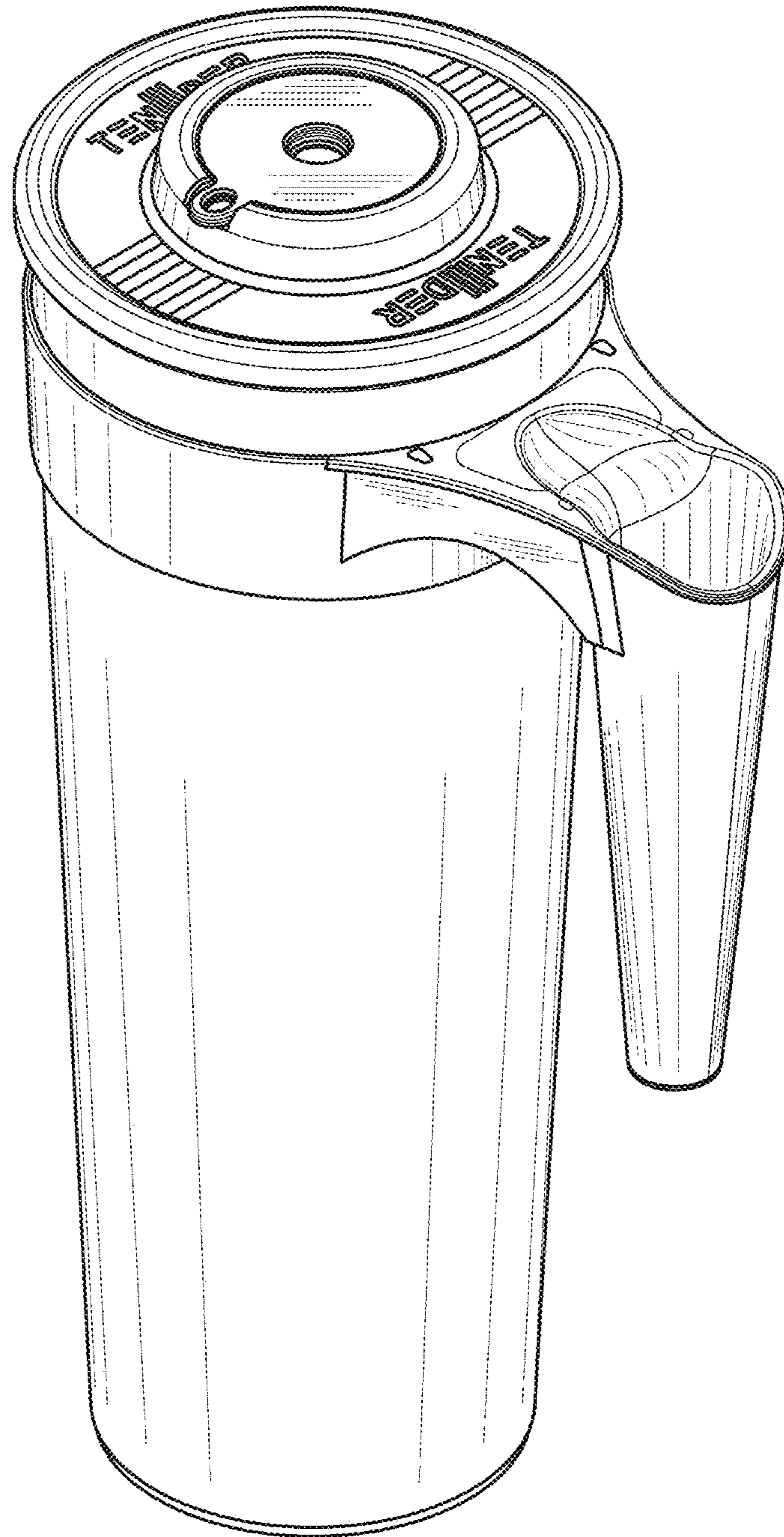


FIG. 1

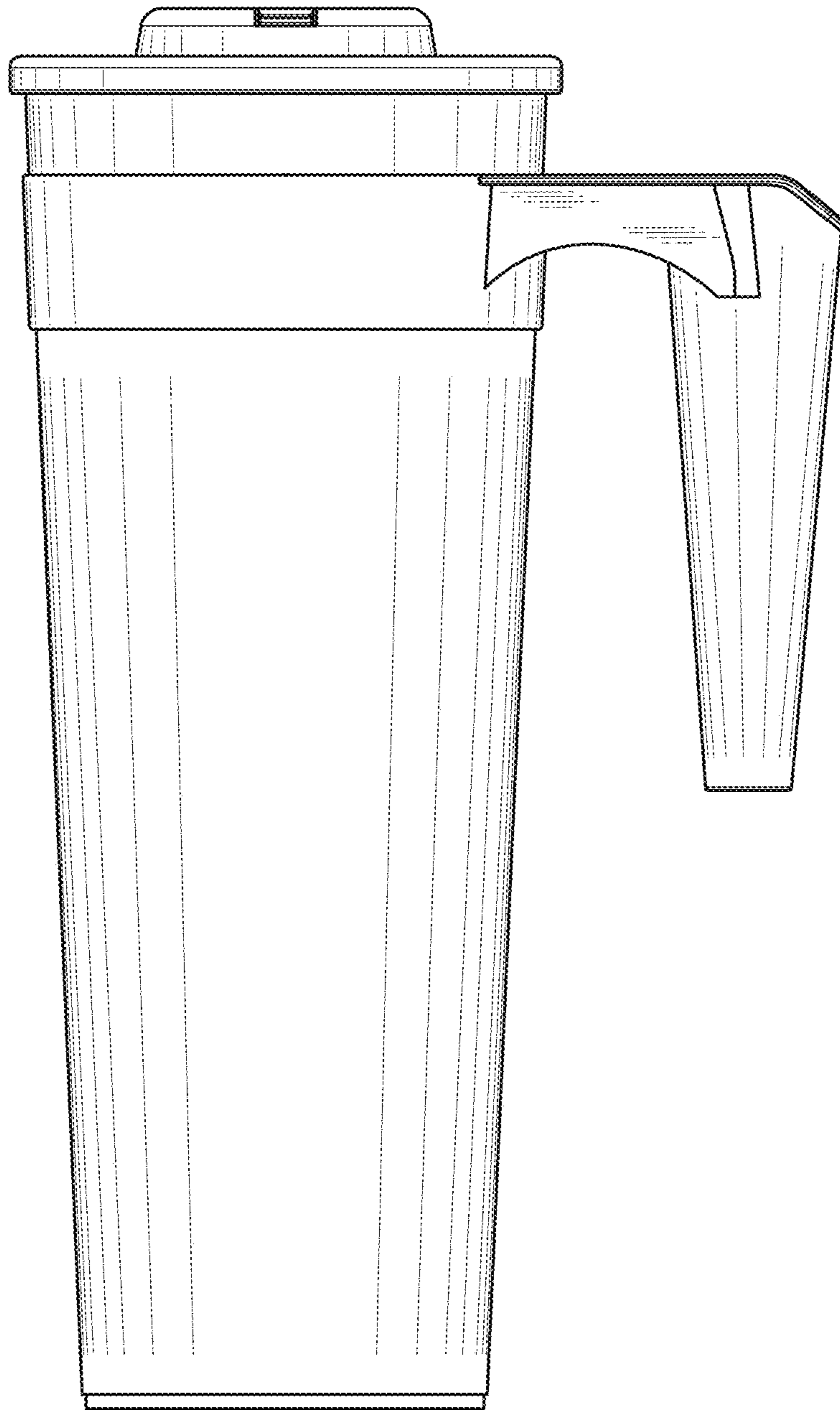


FIG. 2

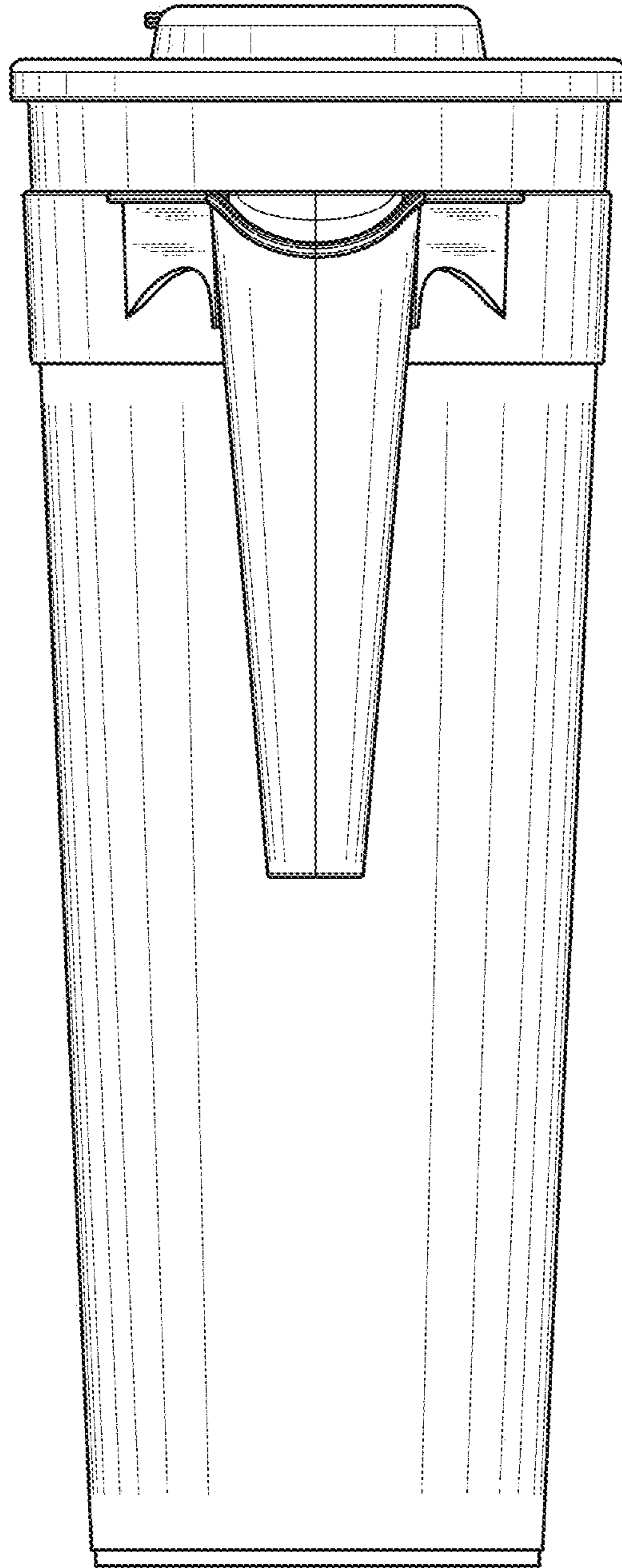


FIG. 3

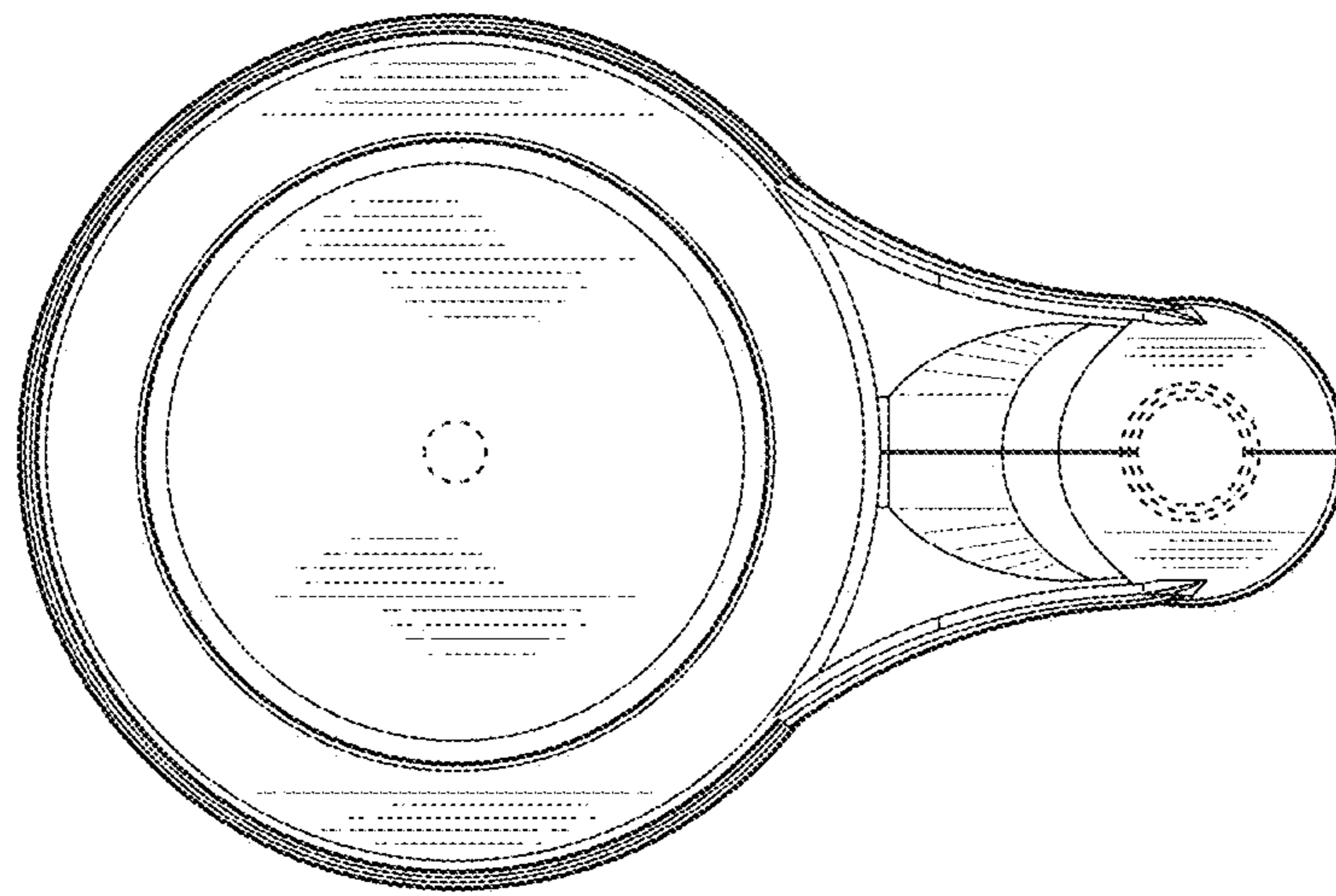


FIG. 4

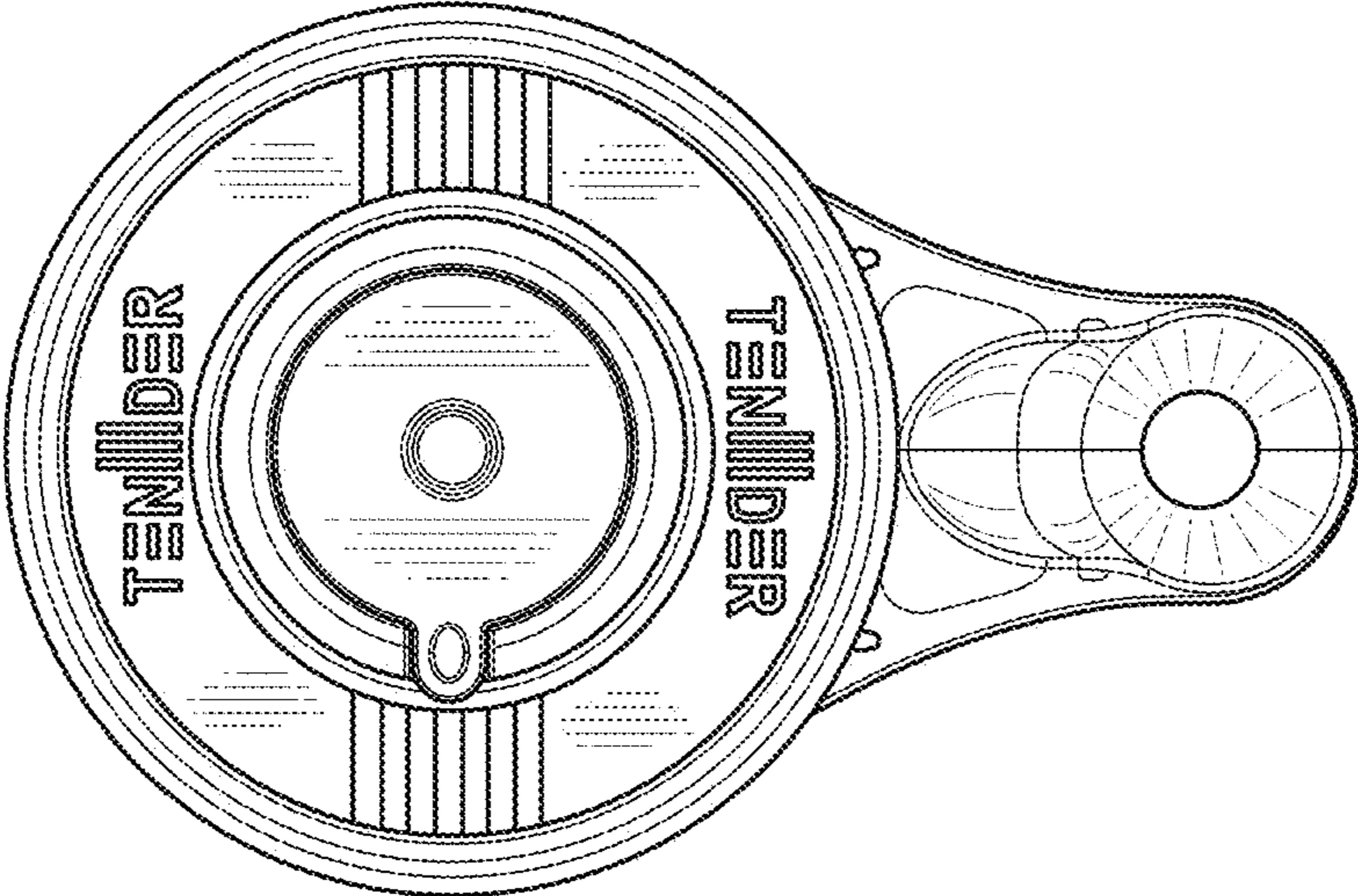


FIG. 5

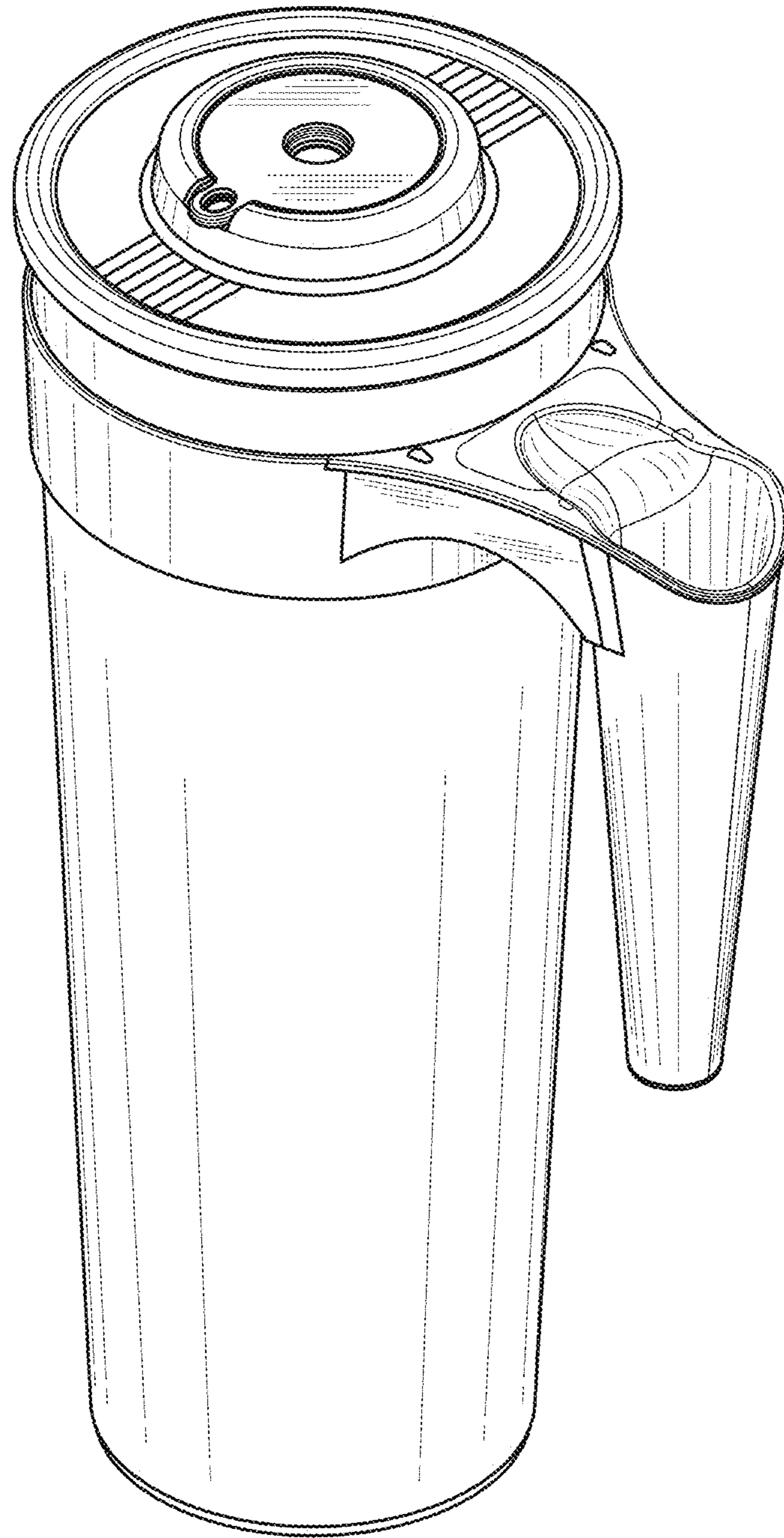


FIG. 6

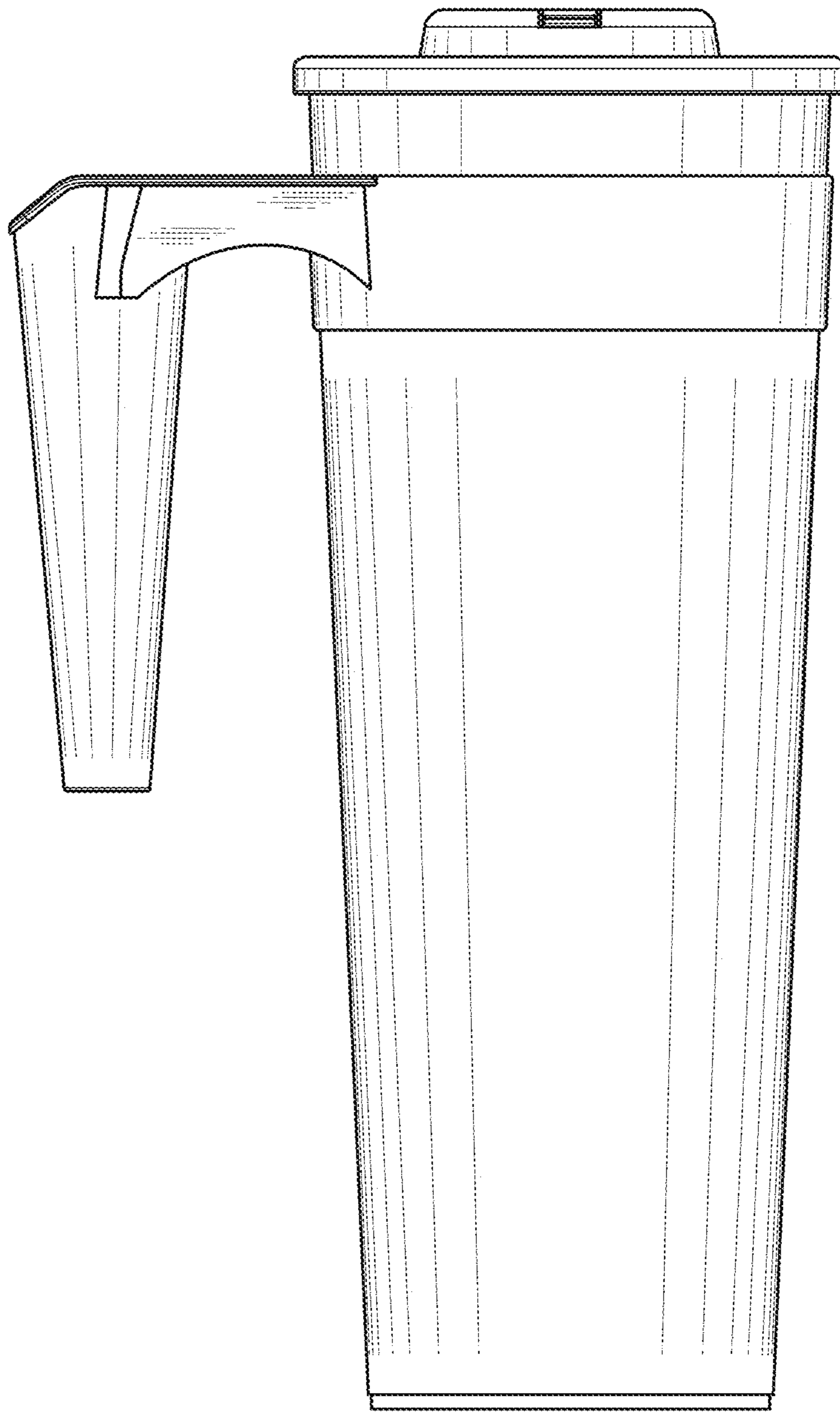


FIG. 7

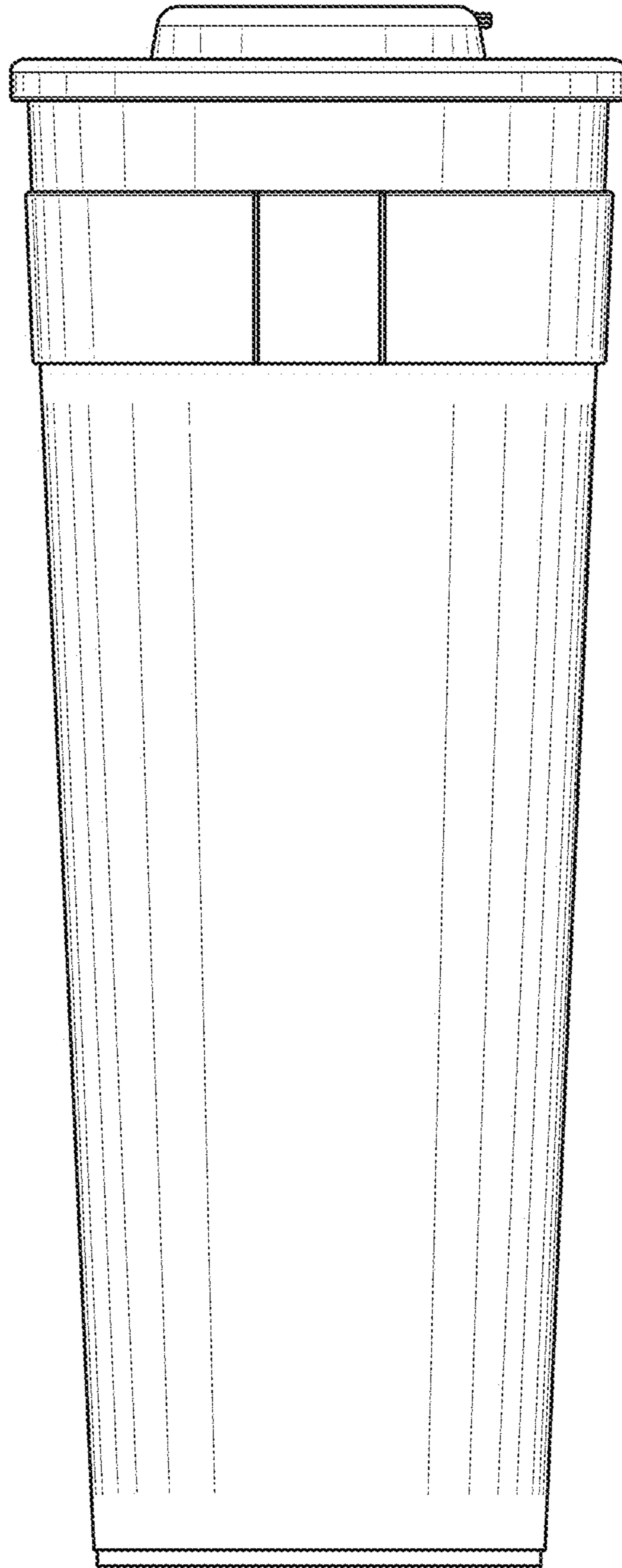


FIG. 8

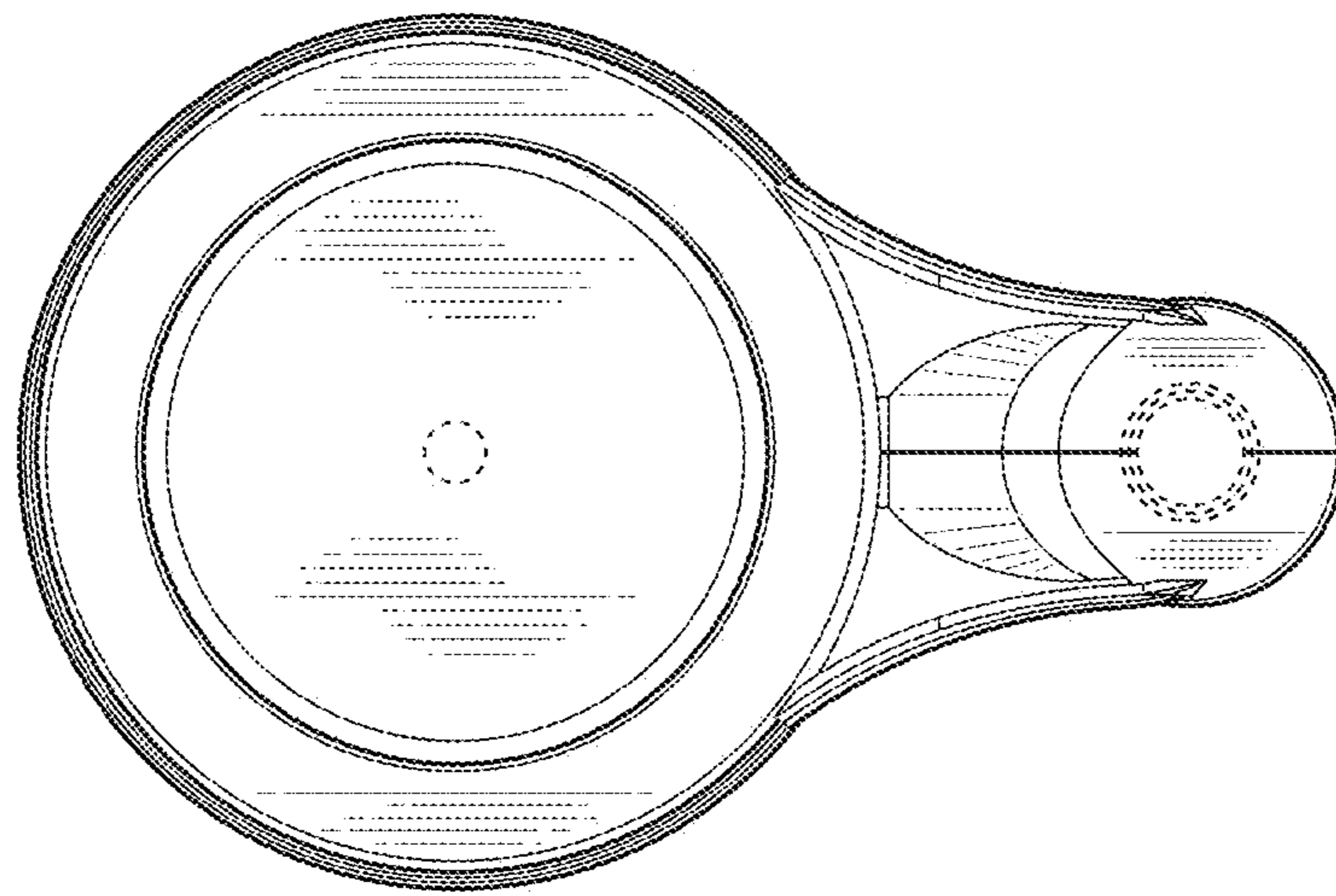


FIG. 9

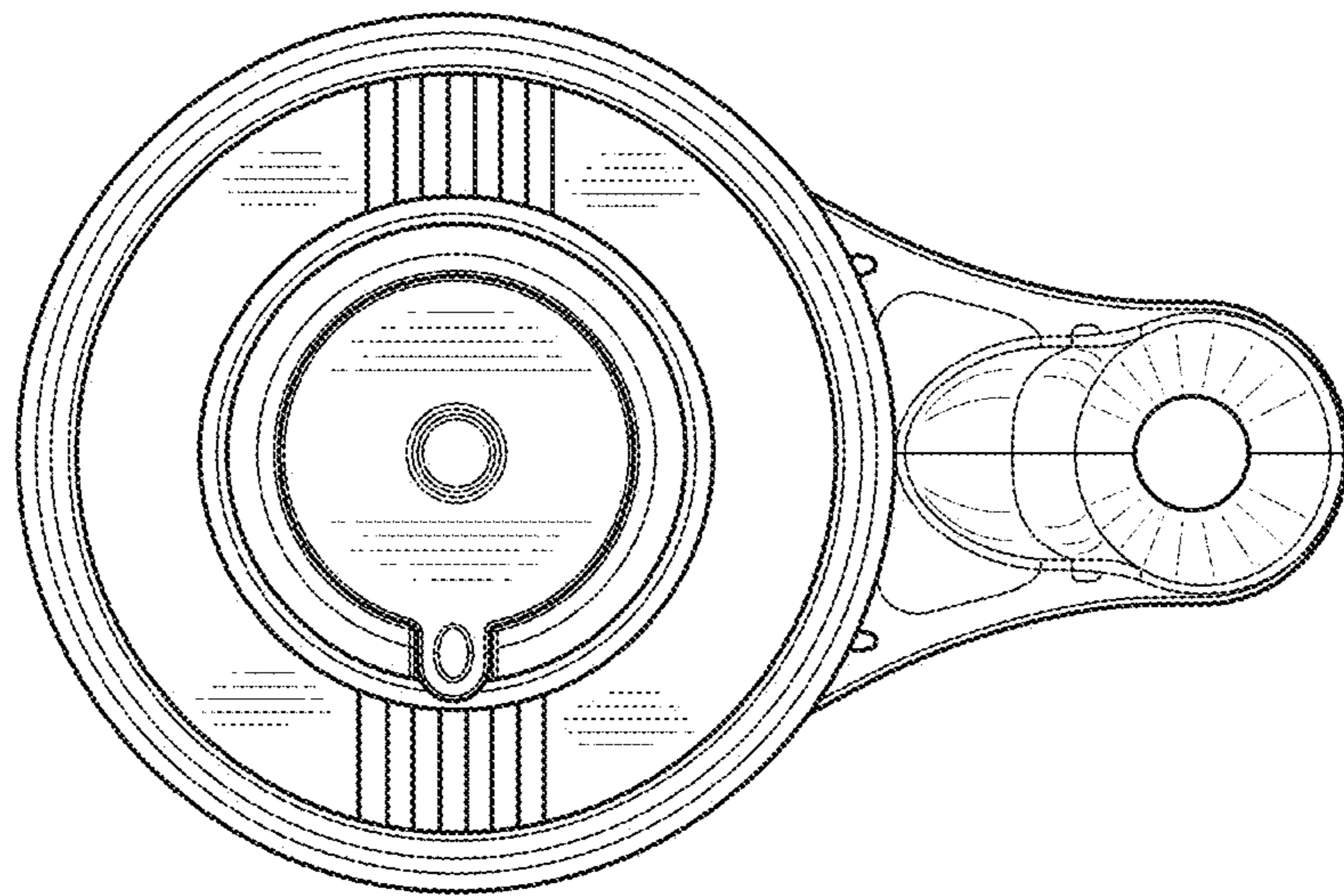


FIG. 10