

US00D928563S

(12) **United States Design Patent** (10) **Patent No.:** **US D928,563 S**  
**Garman** (45) **Date of Patent:** **\*\* Aug. 24, 2021**

(54) **MIXER BEATERS**  
(71) Applicant: **Hamilton Beach Brands, Inc.**, Glen Allen, VA (US)  
(72) Inventor: **Michael Garman**, Stafford, VA (US)  
(73) Assignee: **Hamilton Beach Brands, Inc.**, Glen Allen, VA (US)  
(\*\*) Term: **15 Years**  
(21) Appl. No.: **29/713,684**  
(22) Filed: **Nov. 18, 2019**  
(51) **LOC (13) Cl.** ..... **07-02**  
(52) **U.S. Cl.**  
USPC ..... **D7/412; D7/376; D7/379**  
(58) **Field of Classification Search**  
USPC ..... D7/372, 376-386, 397, 412-413, 602, D7/629, 665-666, 669, 679, 690, D7/693-694; D24/211  
CPC .... A21C 1/02; A21C 1/04; A23N 1/00; A23N 1/02; A47J 43/04; A47J 43/25; A47J 43/27; A47J 43/042; A47J 43/044; A47J 43/046; A47J 43/07; A47J 43/075; A47J 43/0722; A47J 43/0727; A47J 43/082; B01F 3/00; B01F 3/0807; B01F 3/0853; B01F 7/00341; B01F 13/0059; B01F 13/0064; B02C 1/08; B02C 2/04; B02C 4/42; B02C 4/142; B02C 4/143; B02C 4/423; B02C 13/1835; B28C 5/10; B28C 5/12; B28C 5/14; B28C 5/16  
See application file for complete search history.

D338,371 S \* 8/1993 Thomas ..... D7/376  
D364,532 S \* 11/1995 Seiffert ..... D7/379  
D367,400 S \* 2/1996 Viemeister ..... D7/379  
5,938,332 A \* 8/1999 Bachellier ..... B01F 7/00341  
366/330.1  
D425,368 S \* 5/2000 Littmann ..... D7/412  
D593,360 S \* 6/2009 Lee ..... D7/379  
D596,749 S \* 7/2009 Johnson ..... D24/211  
D665,224 S \* 8/2012 Benoit ..... D7/379  
D692,275 S \* 10/2013 Audette ..... D7/412  
D832,639 S \* 11/2018 Ou ..... D7/376  
D859,912 S \* 9/2019 Powell ..... D7/379  
2017/0252710 A1 9/2017 Saunders et al.

**FOREIGN PATENT DOCUMENTS**

FR 2058049 4/1971

\* cited by examiner

*Primary Examiner* — Ricky Pham

(74) *Attorney, Agent, or Firm* — Alexander D. Raring

(57) **CLAIM**

The ornamental design for mixer beaters, as shown and described.

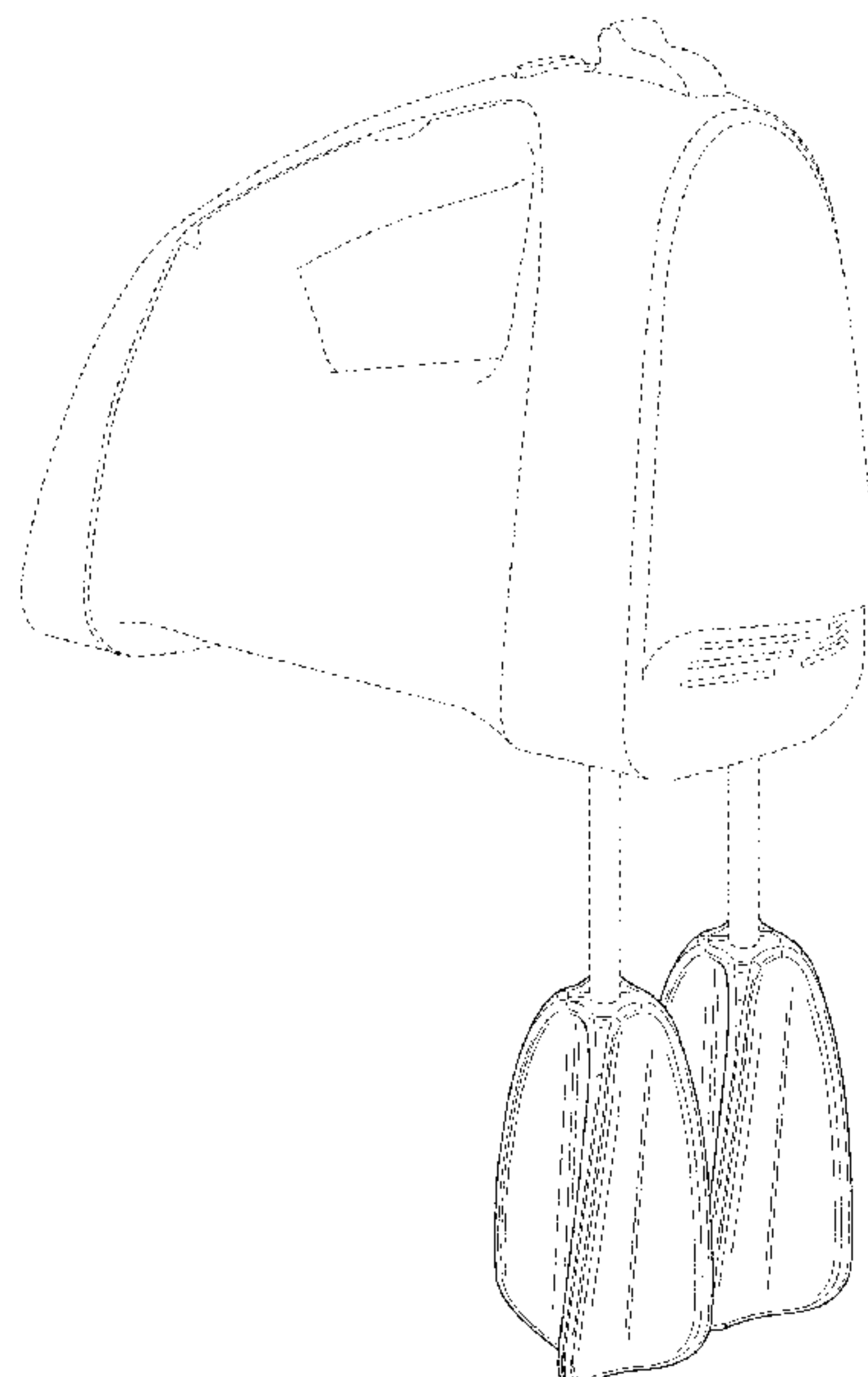
**DESCRIPTION**

FIG. 1 is a perspective view as seen from the top, right and front sides of a mixer beater showing the new design;  
FIG. 2 is a front side view thereof;  
FIG. 3 is a rear view thereof;  
FIG. 4 is a right side view thereof;  
FIG. 5 is a left side view thereof;  
FIG. 6 is a top view thereof;  
FIG. 7 is a bottom view thereof; and,  
FIG. 8 is an additional perspective view thereof of a pair of mixer beaters.  
The broken lines shown in the drawings depict portions of the mixer beaters that form no part of the claimed design.

(56) **References Cited**  
**U.S. PATENT DOCUMENTS**

D209,461 S \* 12/1967 Clough ..... D7/379  
5,158,434 A \* 10/1992 Weetman ..... B01F 7/00341  
416/201 A

**1 Claim, 7 Drawing Sheets**



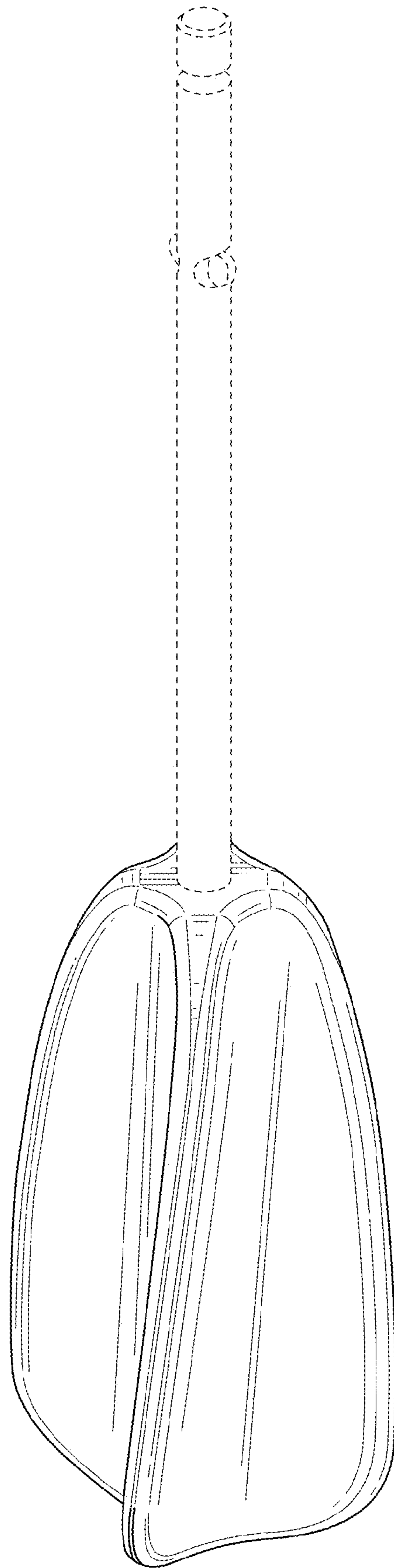


FIG 1

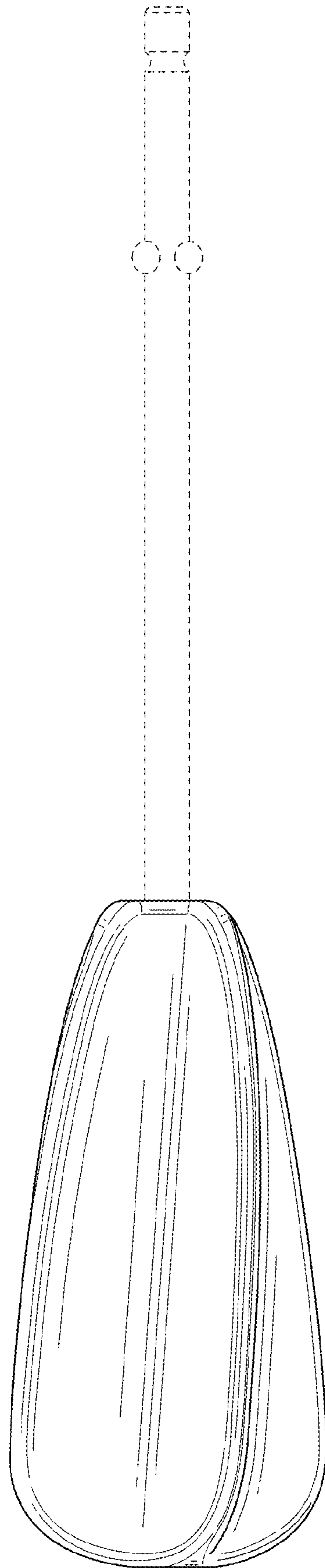


FIG 2

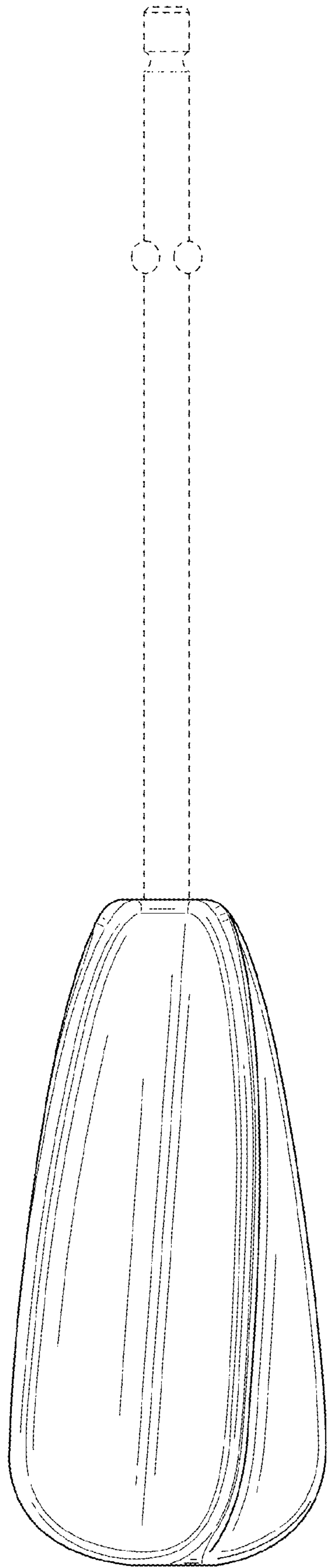


FIG 3

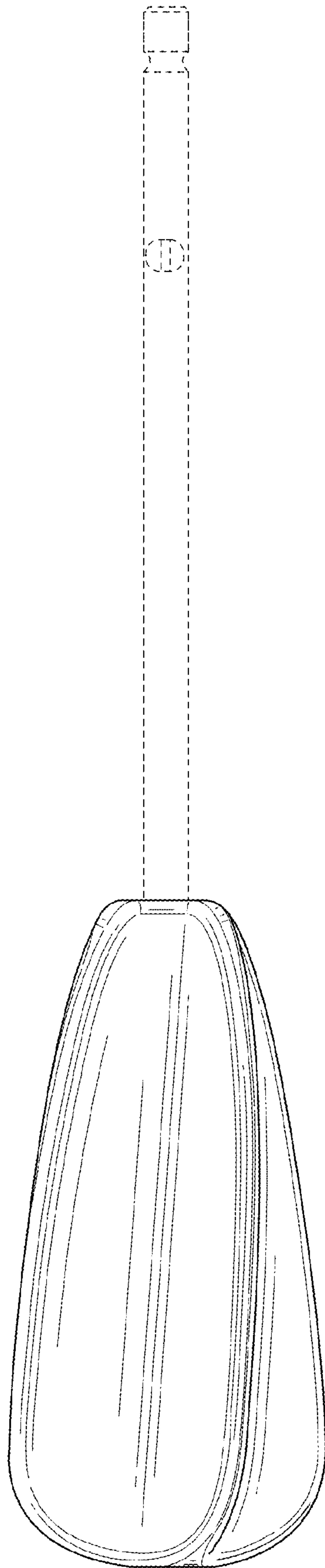


FIG 4

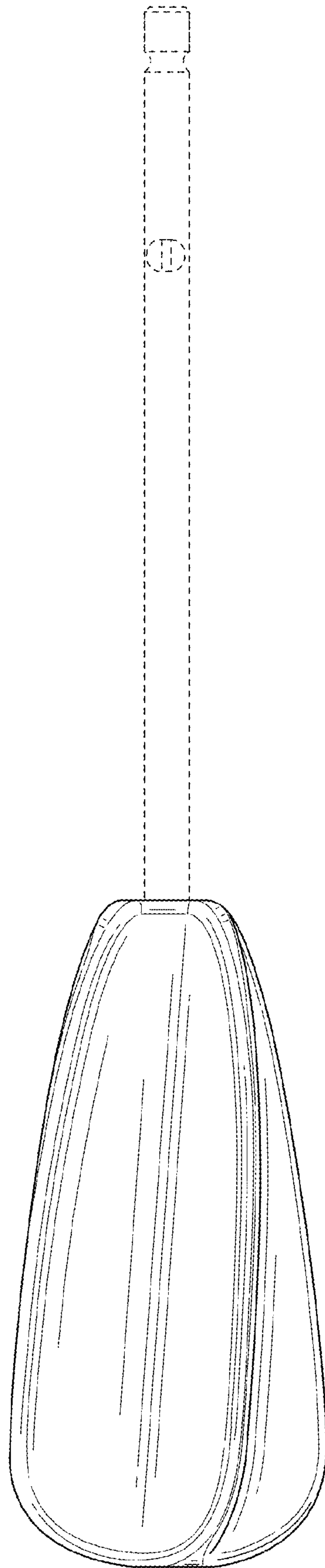


FIG 5

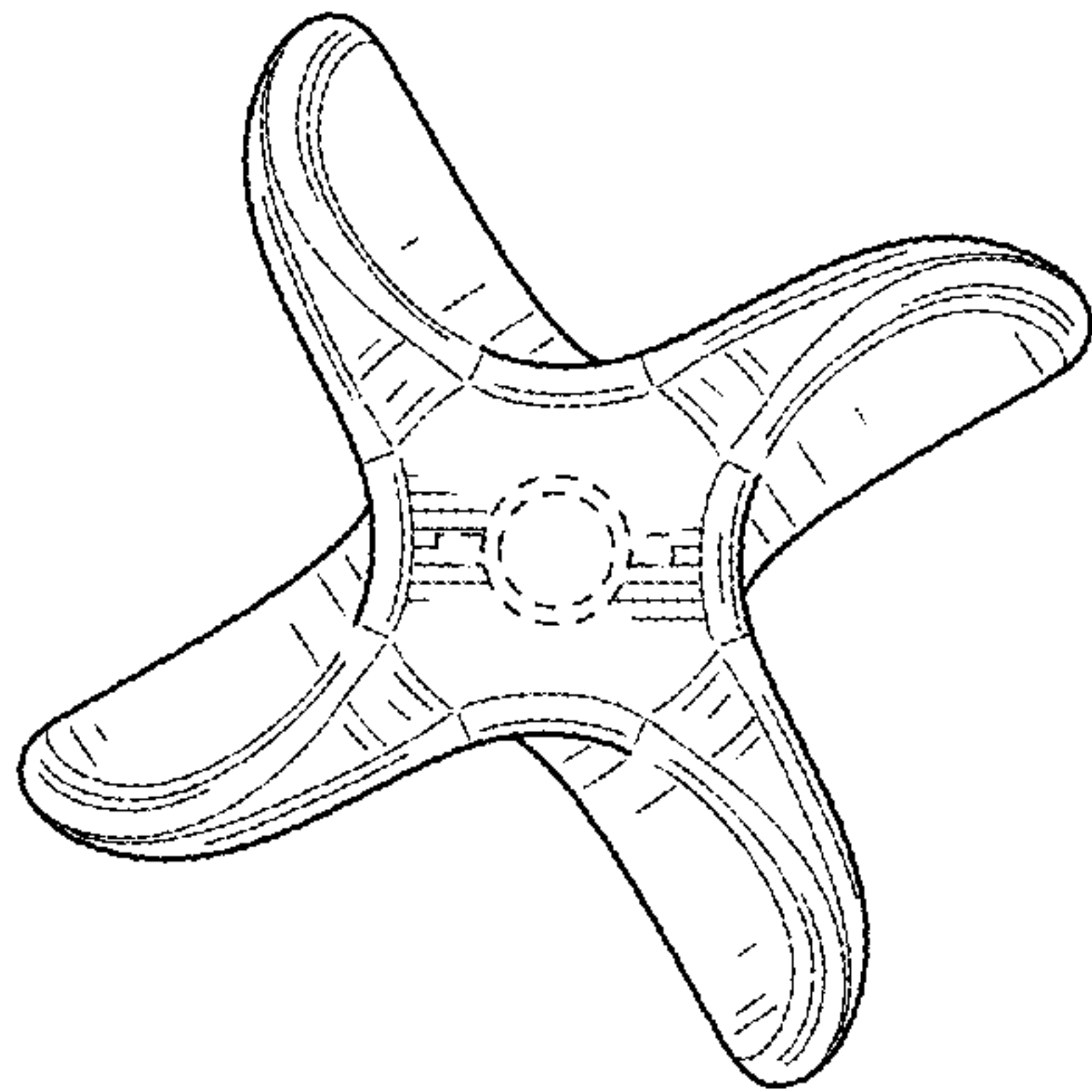


FIG 6

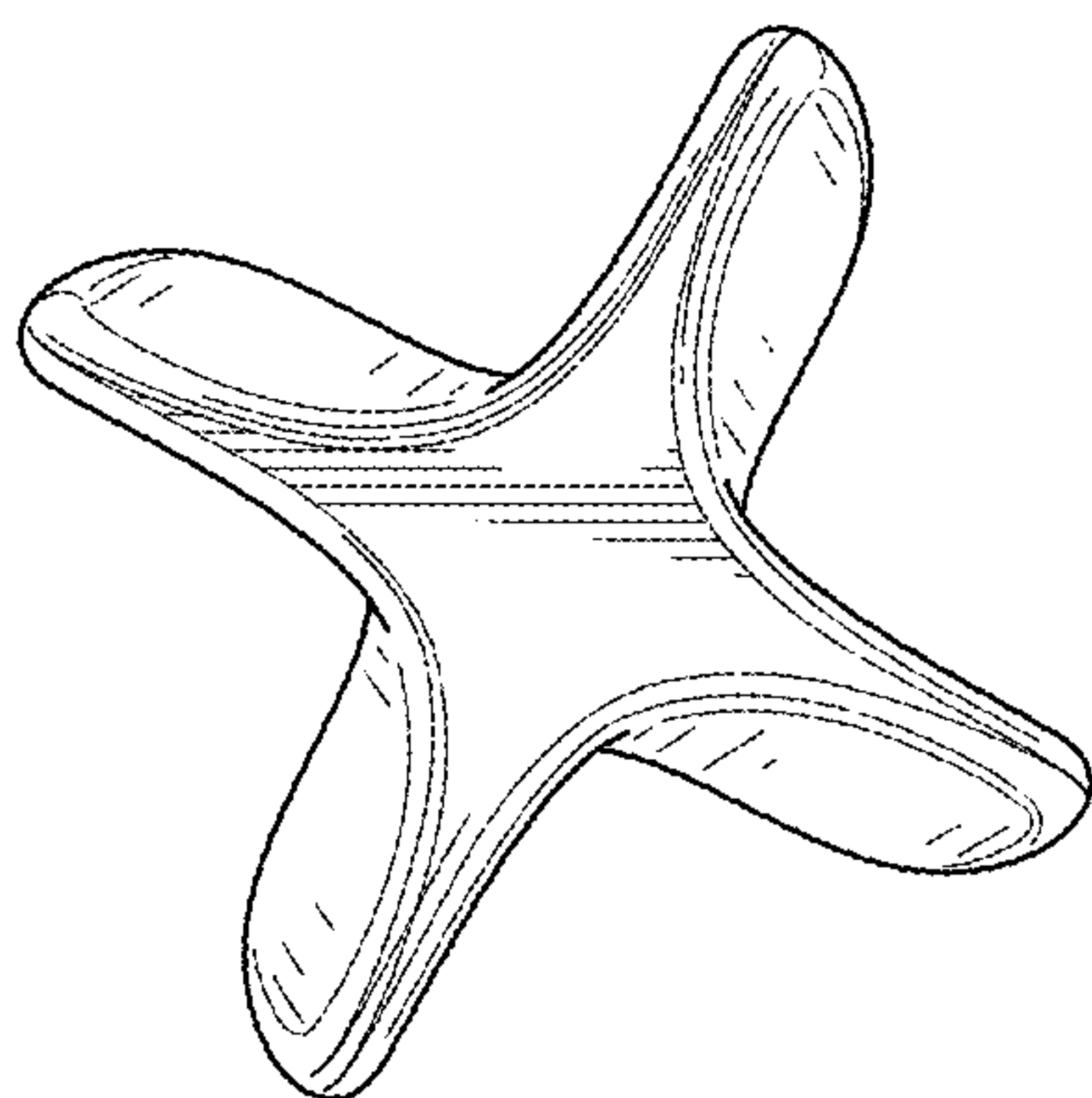


FIG 7



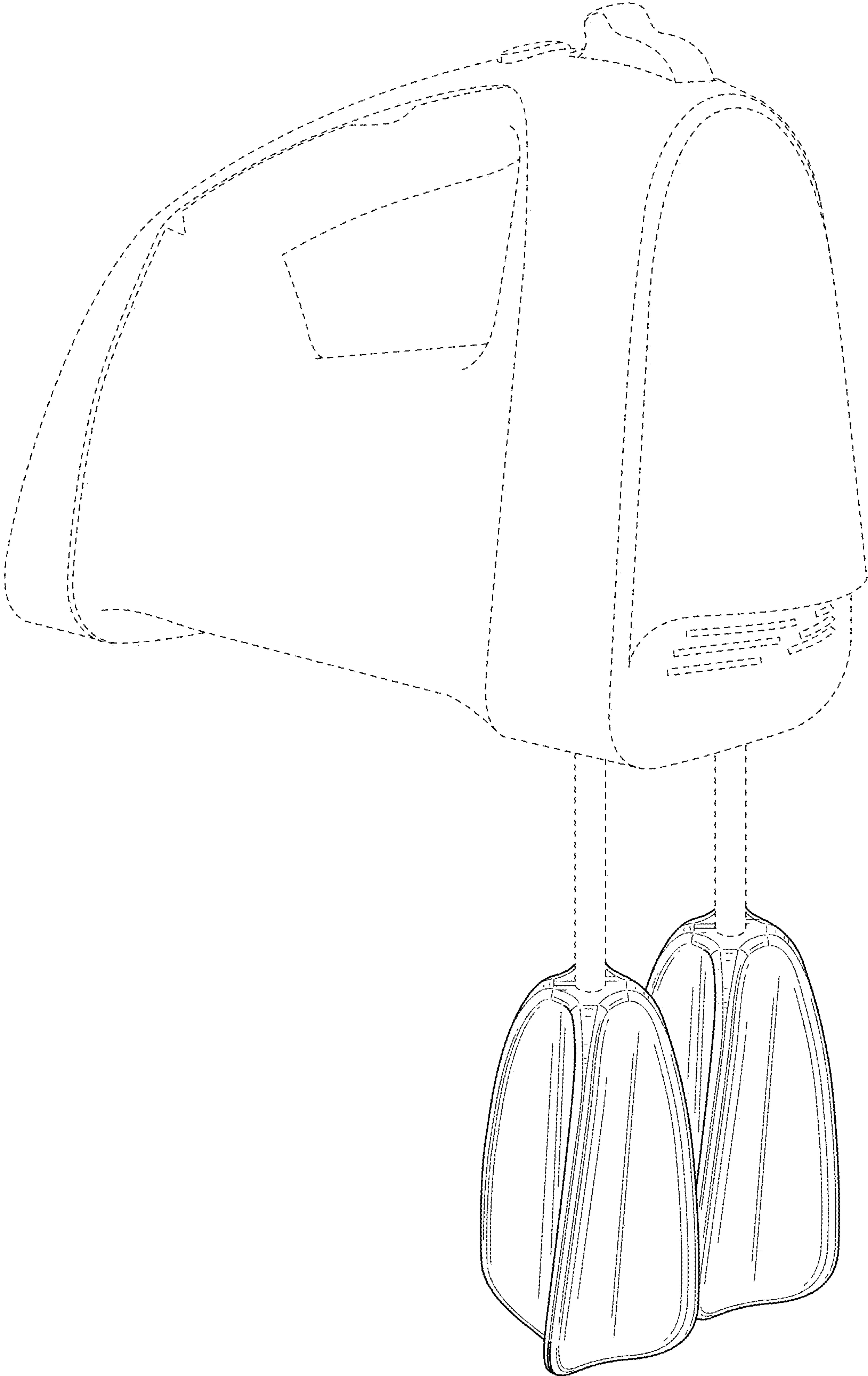


FIG 8