



US00D928561S

(12) **United States Design Patent** (10) **Patent No.:** **US D928,561 S**
Fitzgerald et al. (45) **Date of Patent:** **** Aug. 24, 2021**

(54) **STEAM TABLE LIFTING DEVICE**

(71) Applicants: **Darren Fitzgerald**, Maple Shade, NJ (US); **Giancarlo Podio**, Huntingdon Valley, PA (US)

(72) Inventors: **Darren Fitzgerald**, Maple Shade, NJ (US); **Giancarlo Podio**, Huntingdon Valley, PA (US)

(**) Term: **15 Years**

(21) Appl. No.: **29/729,020**

(22) Filed: **Mar. 24, 2020**

(51) **LOC (13) Cl.** **07-02**

(52) **U.S. Cl.**
USPC **D7/409**; D7/354; D7/360

(58) **Field of Classification Search**
USPC D3/307; D7/323, 332, 335-337, D7/354-355, 359-364, 387-388, 402, D7/407-409

CPC A21B 2/00; A21B 3/00; A21B 3/13; A21B 3/15; A21B 5/00; A21B 5/02; A23N 12/06; A23N 12/08; A23N 12/10; A47J 37/00; A47J 37/04; A47J 37/041; A47J 37/042; A47J 37/06; A47J 37/0676; A47J 37/0688; A47J 37/0694; A47J 37/07; A47J 37/0704; A47J 37/10; A47J 47/14; A47J 47/20; A47J 2037/00; A47J 2037/06; A47J 2037/0611; A47J 2037/07; A47J 2037/0786; A47J 2037/0795; F24C 15/024; F24C 15/10; F24C 15/12; F24C 15/14; F24C 15/16; F24C 15/18; F24C 15/164

See application file for complete search history.

(56) **References Cited**

U.S. PATENT DOCUMENTS

3,602,691	A *	8/1971	Frazier	A47J 47/14 219/387
D380,347	S *	7/1997	Norton	D7/409
D395,548	S *	6/1998	Morissette	D3/304
D417,124	S *	11/1999	Chen	211/60.1
D648,175	S *	11/2011	Zemel	D7/409
D773,246	S *	12/2016	Raley	D7/402
D809,848	S *	2/2018	Mirchandani	D7/354
D836,980	S *	1/2019	Thurlow	D7/409

* cited by examiner

Primary Examiner — Ricky Pham

(74) *Attorney, Agent, or Firm* — Stuart M. Goldstein

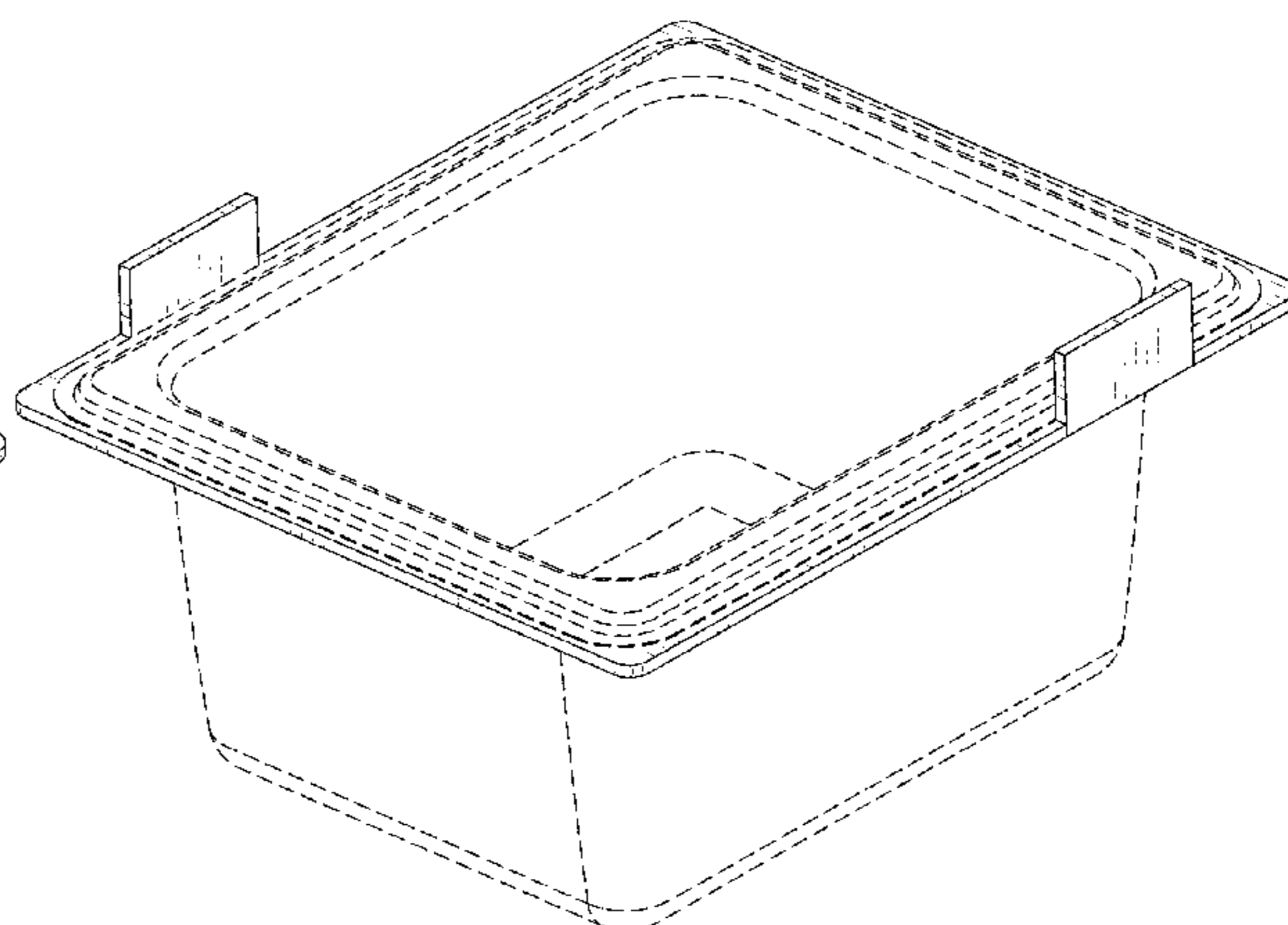
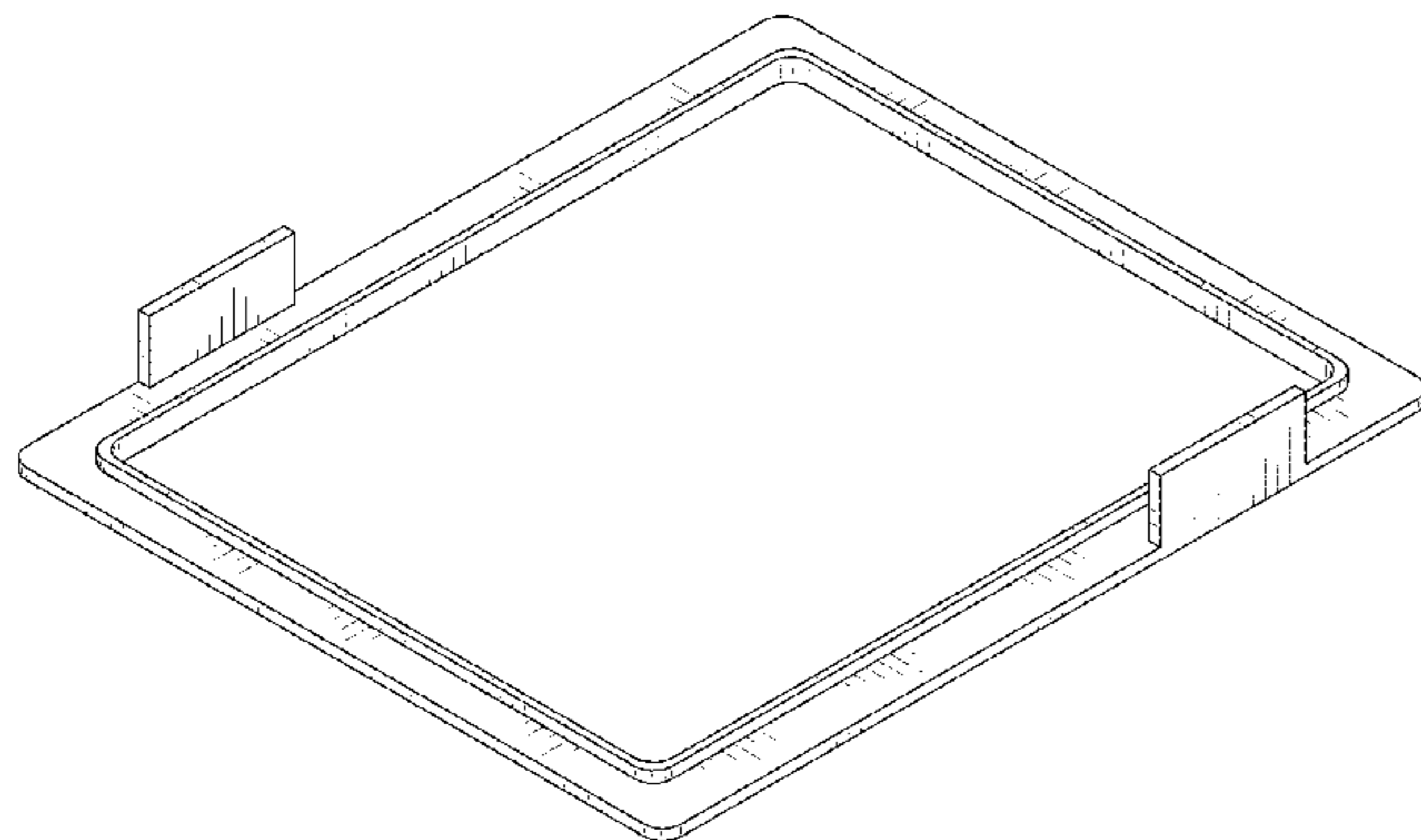
(57) **CLAIM**

The ornamental design for the steam table lifting device, as shown and described.

DESCRIPTION

FIG. 1 is a top perspective view of the present invention. FIG. 2 is the top view of the present invention. FIG. 3 is the bottom view of the present invention. FIG. 4 is the front view of the present invention. FIG. 5 is the rear view of the present invention. FIG. 6 is an elevation view of the present invention. FIG. 7 is the opposite elevation view of the present invention. FIG. 8 is a top perspective view of the present invention in the environment of use thereof with a steam table; and, FIG. 9 is a top perspective view of the present invention in the environment of use thereof with multiple steam tables filled with representations of food. The broken lines in FIGS. 8 and 9 are included for the purpose of illustrating environment and form no part of the claimed design.

1 Claim, 7 Drawing Sheets



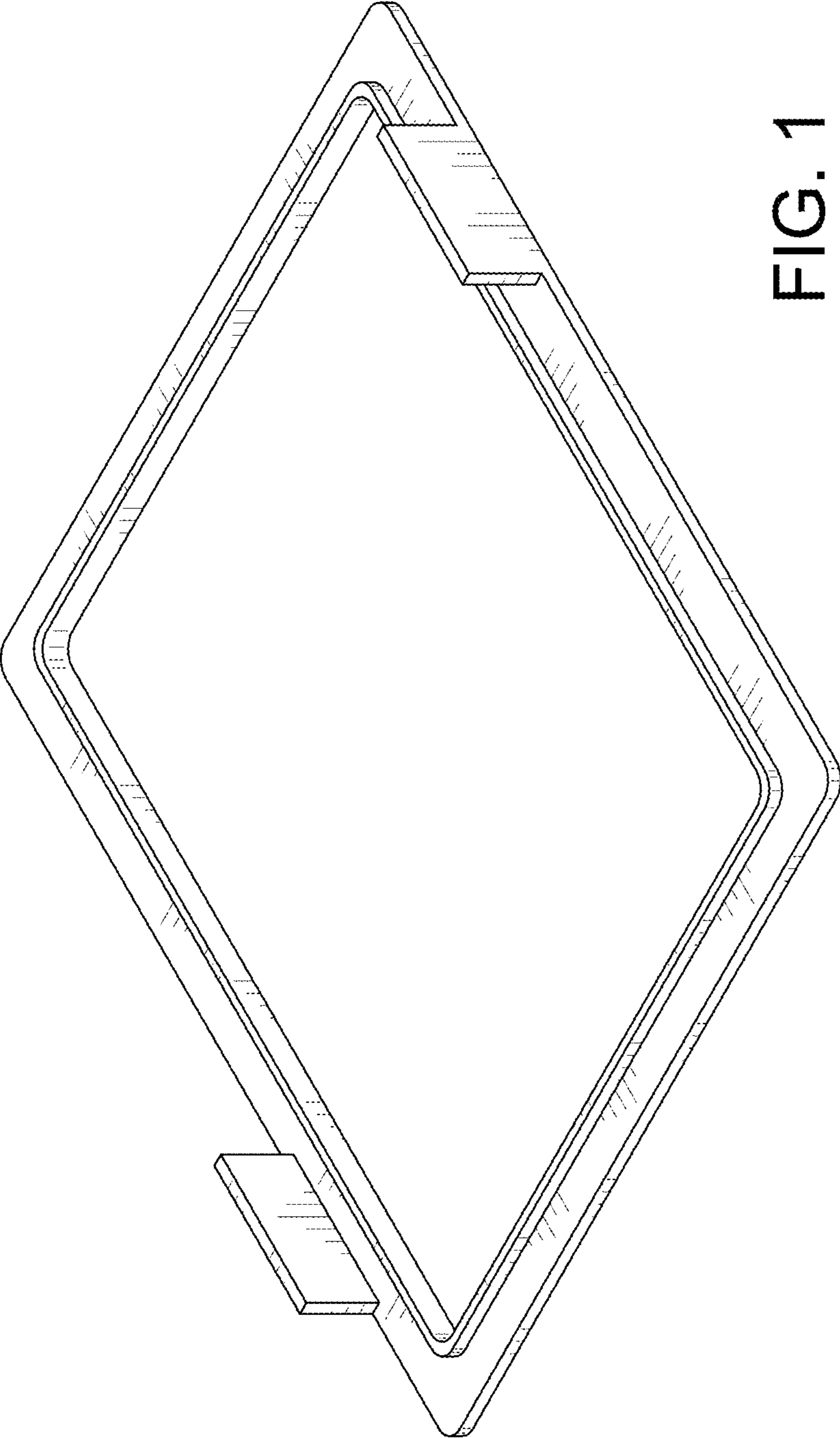


FIG. 1

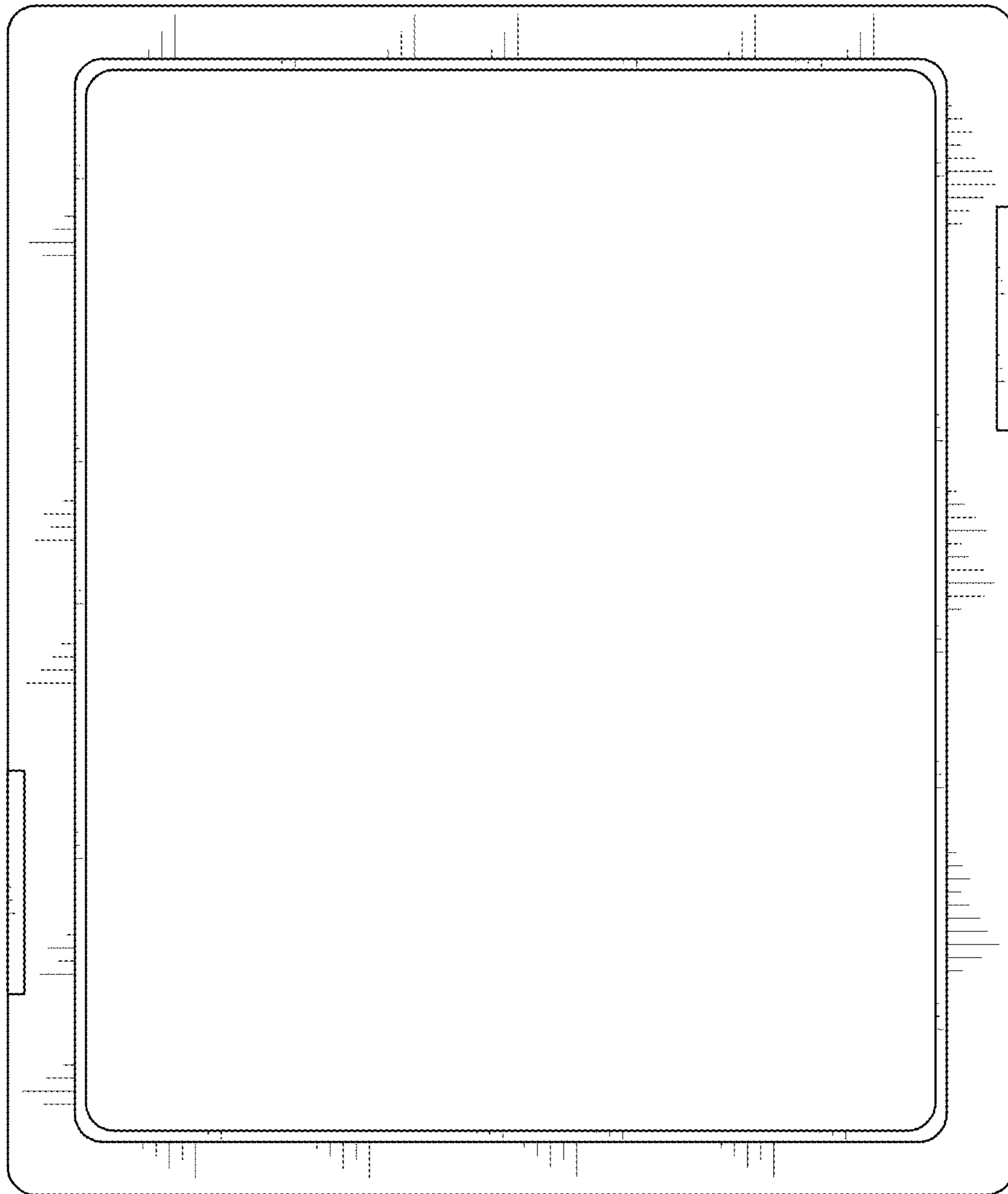


FIG. 2

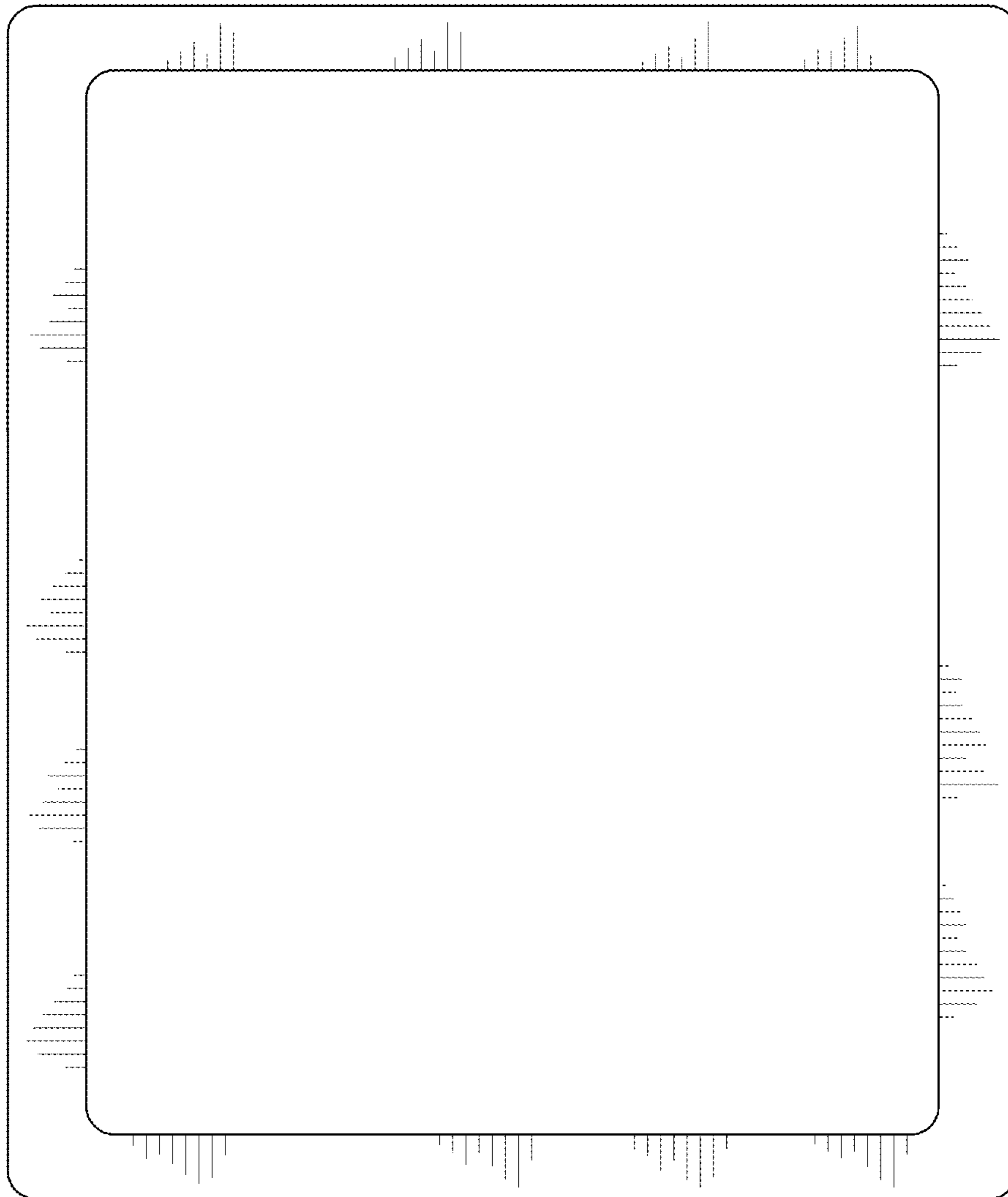


FIG. 3

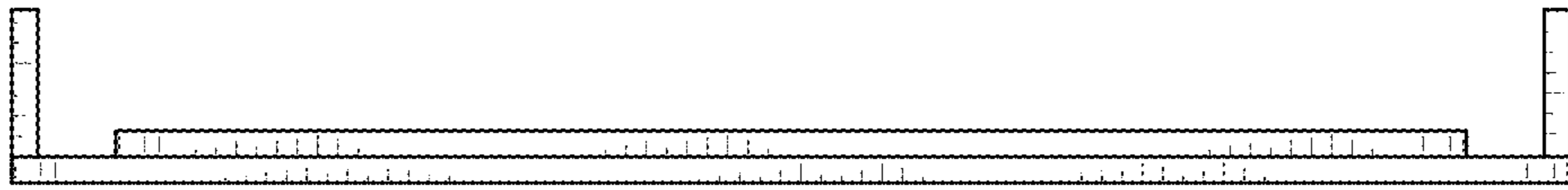


FIG. 4

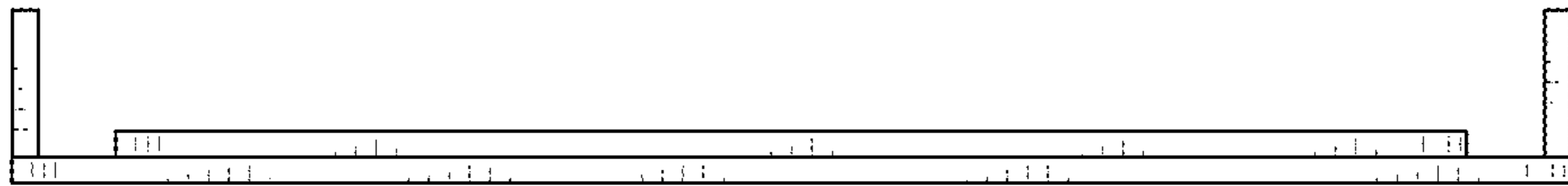


FIG. 5

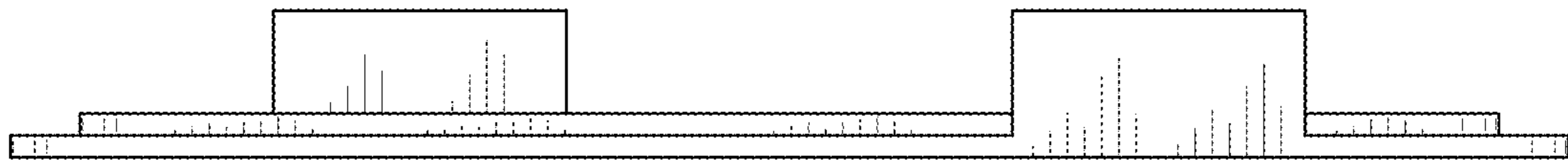


FIG. 6

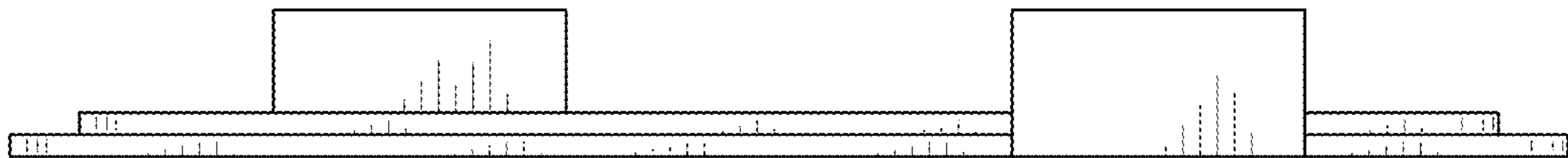


FIG. 7

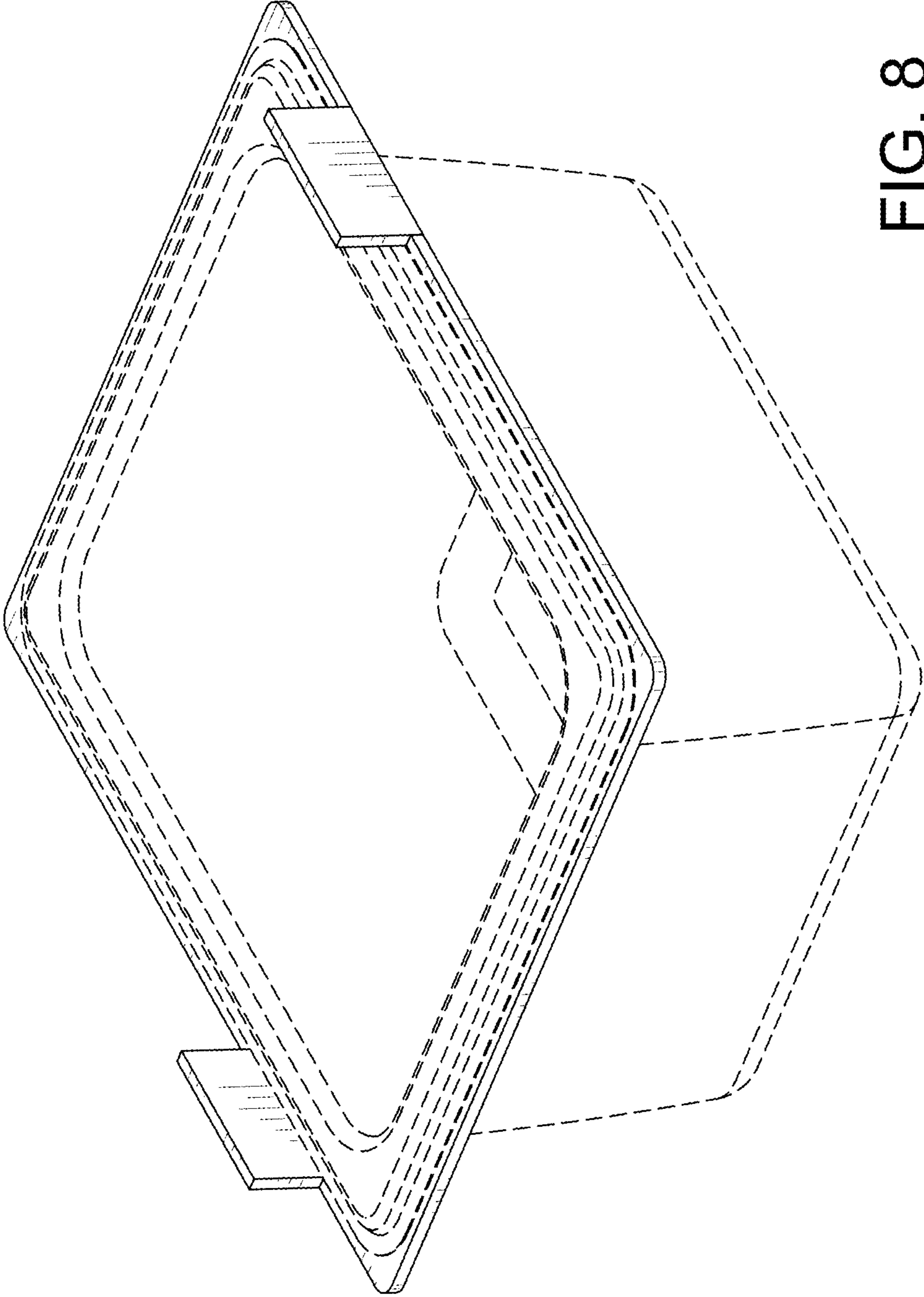


FIG. 8

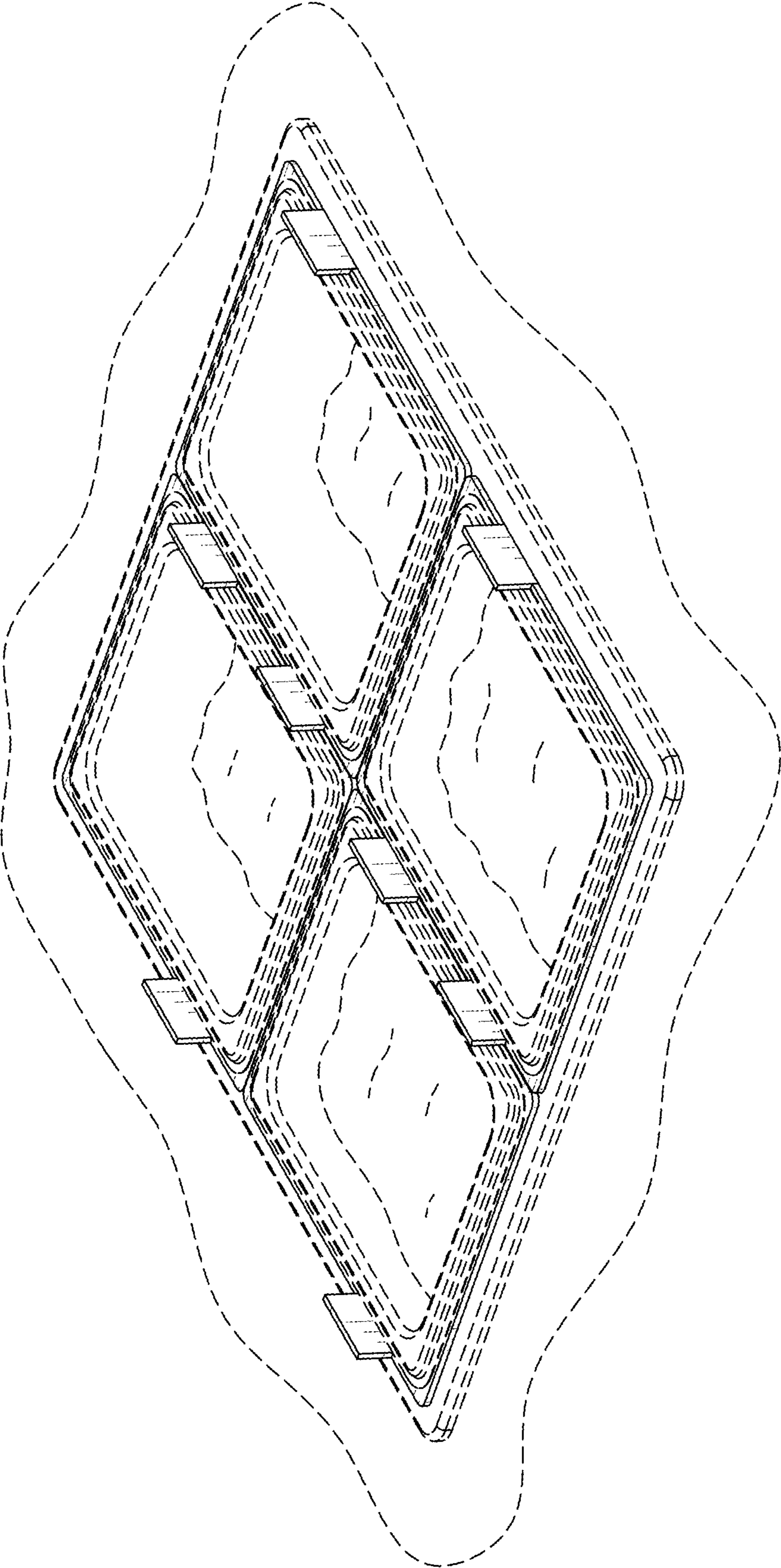


FIG. 9