



US00D928560S

(12) **United States Design Patent**  
**McEwan**

(10) **Patent No.:** **US D928,560 S**

(45) **Date of Patent:** **\*\* Aug. 24, 2021**

- (54) **GRILL ASSEMBLY**
- (71) Applicant: **Zalderan Ltd.**, Whangarei (NZ)
- (72) Inventor: **Nathan Grant McEwan**, Whangarei (NZ)
- (73) Assignee: **Zalderan Ltd.**, Whangarei (NZ)
- (\*\*) Term: **15 Years**
- (21) Appl. No.: **29/710,754**
- (22) Filed: **Oct. 25, 2019**
- (51) **LOC (13) Cl.** ..... **07-02**
- (52) **U.S. Cl.**  
USPC ..... **D7/409**
- (58) **Field of Classification Search**  
USPC ..... D7/323, 332, 335-337, 354-355,  
D7/359-364, 387-388, 402, 407-409  
CPC .... A21B 2/00; A21B 3/00; A21B 3/13; A21B  
3/15; A21B 5/00; A21B 5/02; A23N  
12/06; A23N 12/08; A23N 12/10; A47J  
33/00; A47J 37/00; A47J 37/04; A47J  
37/041; A47J 37/042; A47J 37/06; A47J  
37/0688; A47J 37/0694; A47J 37/07;  
A47J 37/0704; A47J 37/0772; A47J  
37/10; A47J 47/20; A47J 2037/00; A47J  
2037/06; A47J 2037/0611; A47J 2037/07;  
A47J 2037/0786; A47J 2037/0795; F24B  
1/182; F24B 1/205; F24C 15/10; F24C  
15/12; F24C 15/14; F24C 15/16; F24C  
15/18; F24C 15/164  
See application file for complete search history.

(56) **References Cited**

**U.S. PATENT DOCUMENTS**

- 2,604,884 A \* 7/1952 Walker ..... A47J 37/0772  
126/30
- 4,532,912 A \* 8/1985 Burnside, III ..... F24B 1/182  
126/29

- D285,402 S \* 9/1986 Hamill ..... F24B 1/205  
D7/335
- 4,856,423 A \* 8/1989 Burns ..... A47J 33/00  
99/421 H
- 4,896,651 A \* 1/1990 Kott, Jr. .... F24B 1/205  
126/30
- D327,602 S \* 7/1992 Walker ..... D7/335
- D344,207 S \* 2/1994 Bauman ..... D7/335
- 5,307,797 A \* 5/1994 Kleefeld ..... A47J 33/00  
126/30
- 5,313,877 A \* 5/1994 Holland ..... A47J 37/0704  
126/25 R
- D369,939 S \* 5/1996 Gibbs ..... F24B 1/205  
D7/332
- 6,578,568 B1 \* 6/2003 Dufort ..... F24B 1/205  
126/25 A
- 7,007,687 B2 \* 3/2006 Lewis ..... A47J 33/00  
126/25 R
- D592,443 S \* 5/2009 Fraser ..... F24B 1/182  
D7/335

\* cited by examiner

*Primary Examiner* — Ricky Pham

(74) *Attorney, Agent, or Firm* — Eric Karich; Karich & Associates

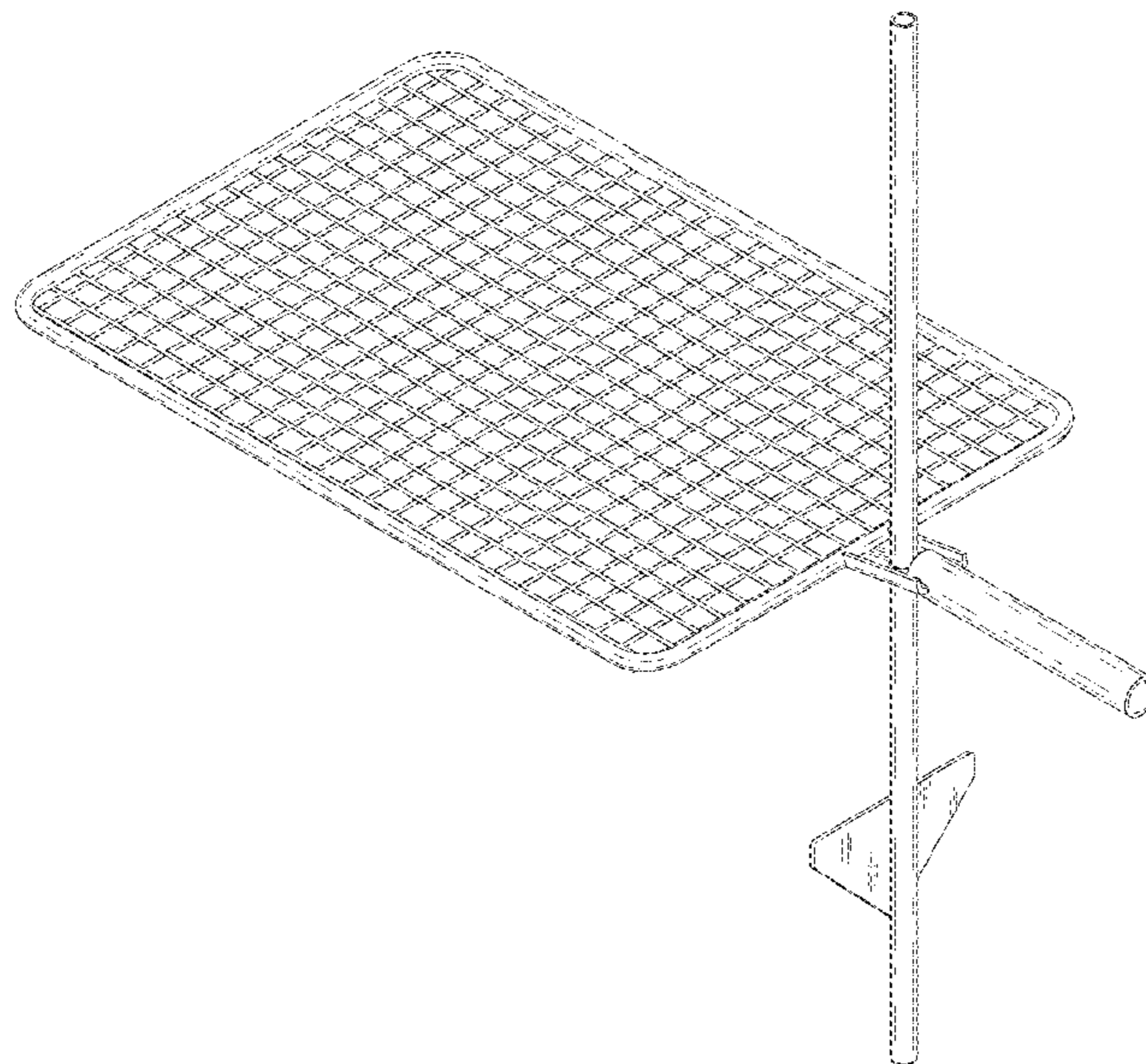
(57) **CLAIM**

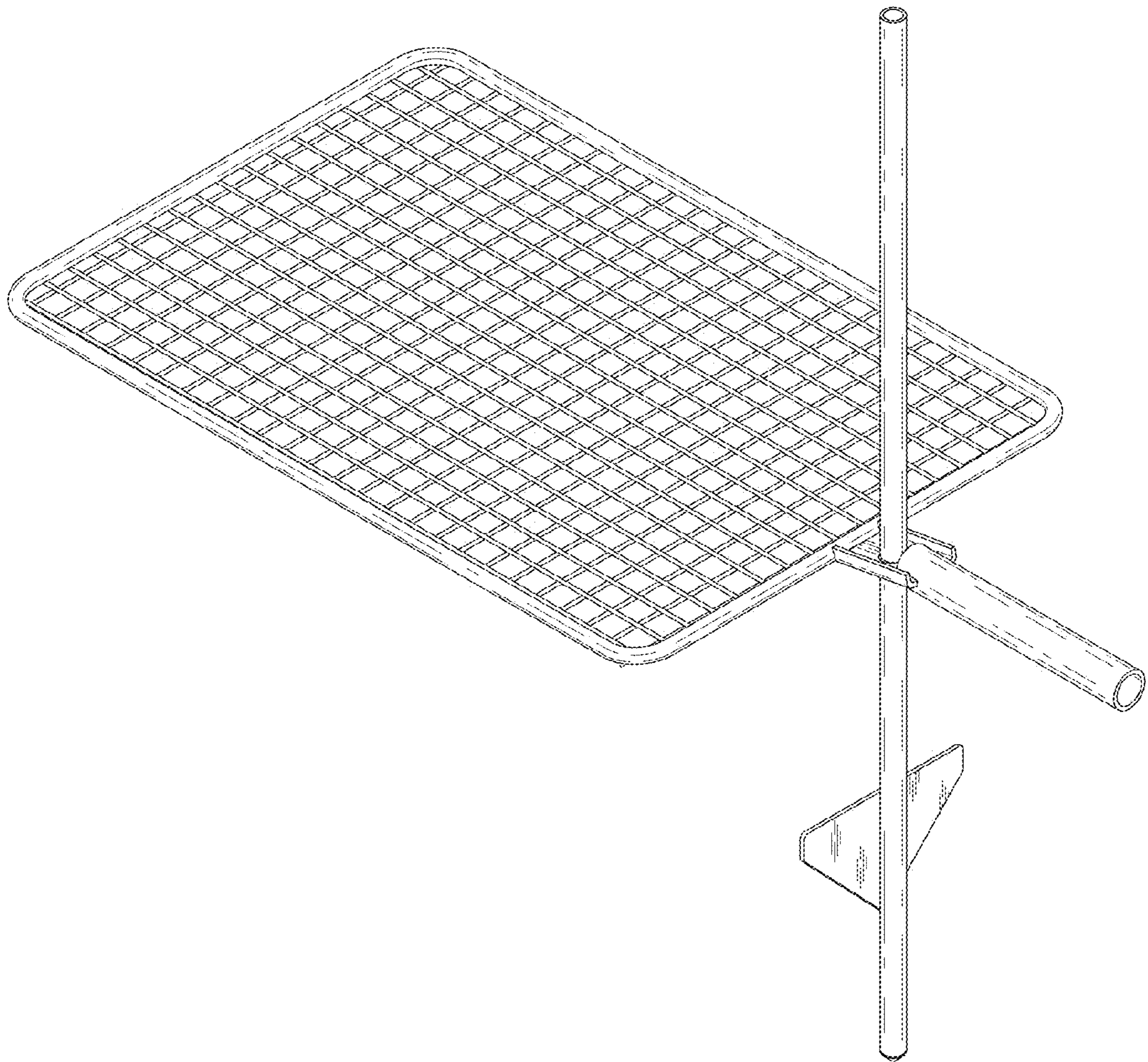
The ornamental design for a grill assembly, as shown and described.

**DESCRIPTION**

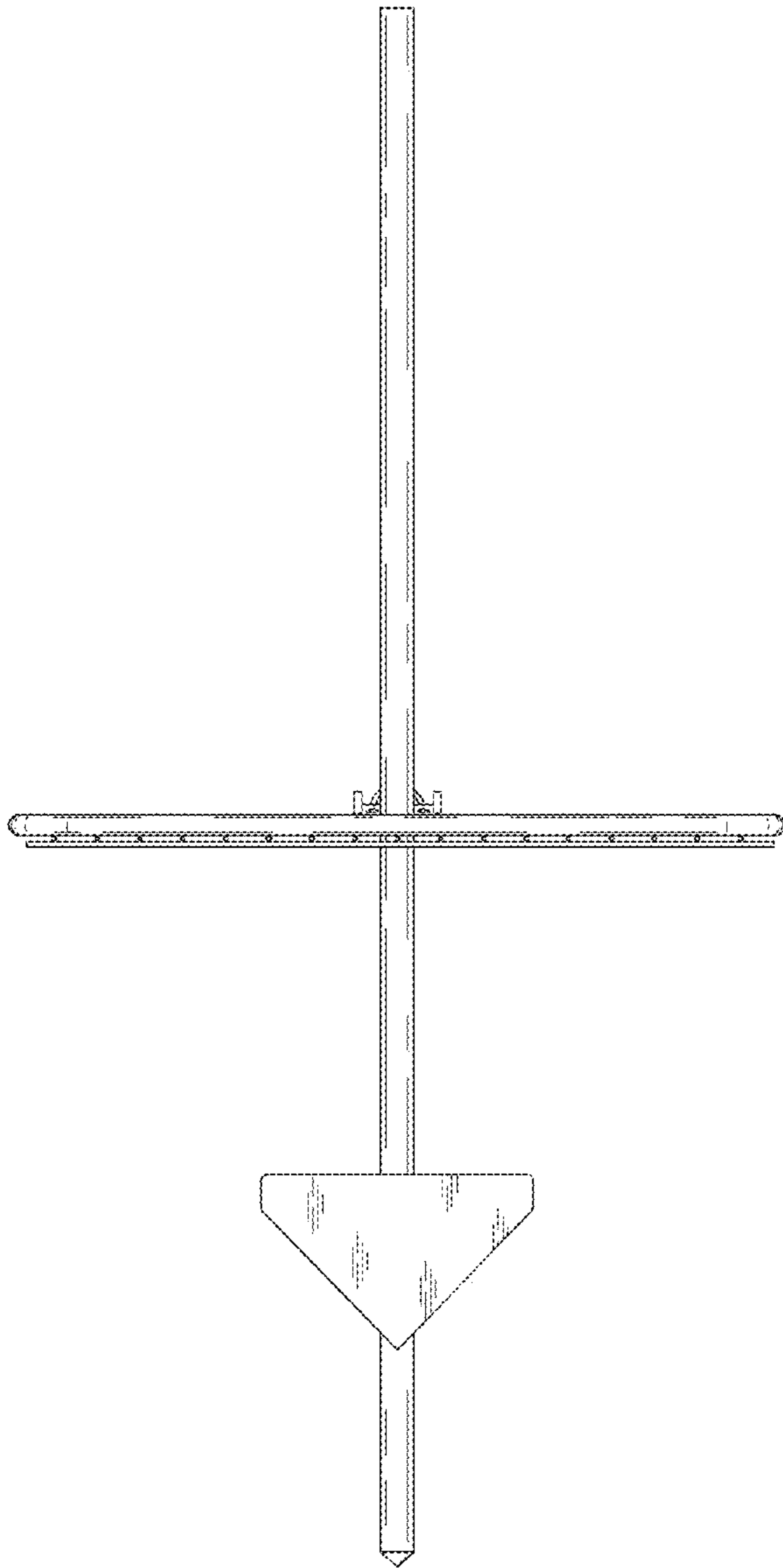
FIG. 1 is a perspective view of a grill assembly, showing my new design;  
 FIG. 2 is a front elevational view thereof;  
 FIG. 3 is a rear elevational view thereof;  
 FIG. 4 is a left side elevational view thereof;  
 FIG. 5 is a right side elevational view thereof;  
 FIG. 6 is a top plan view thereof; and,  
 FIG. 7 is a bottom plan view thereof.

**1 Claim, 5 Drawing Sheets**

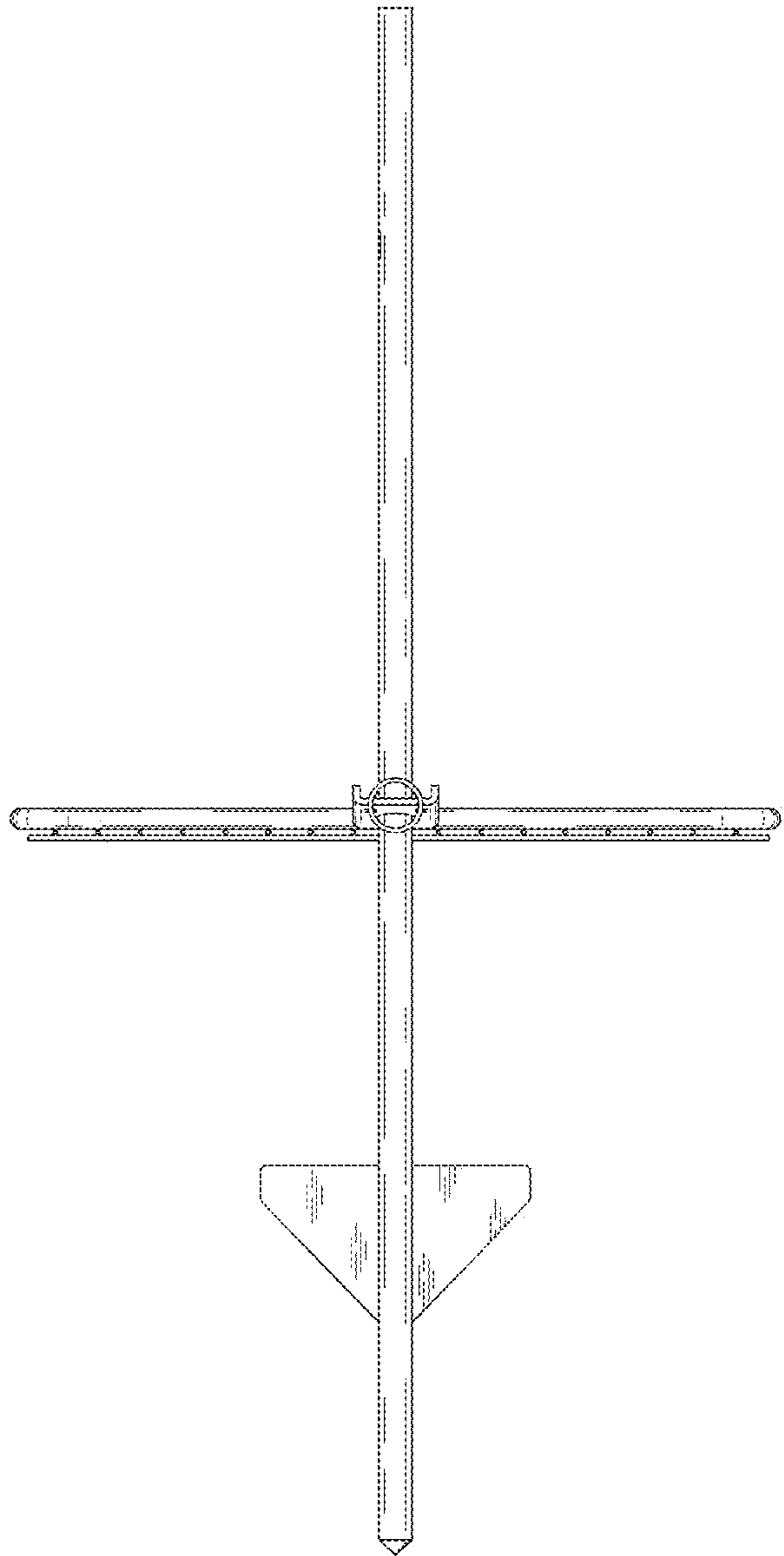




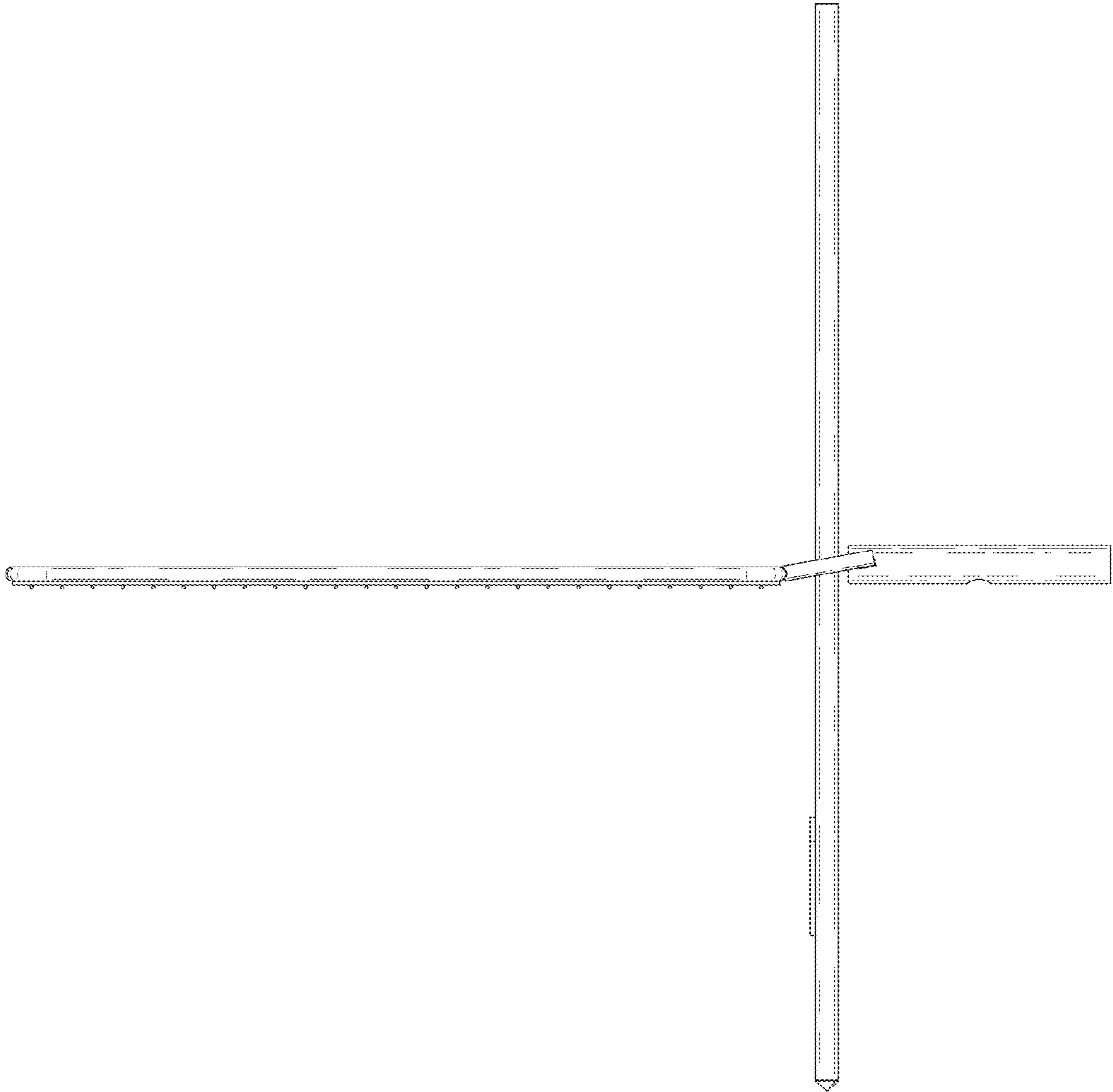
*Fig. 1*



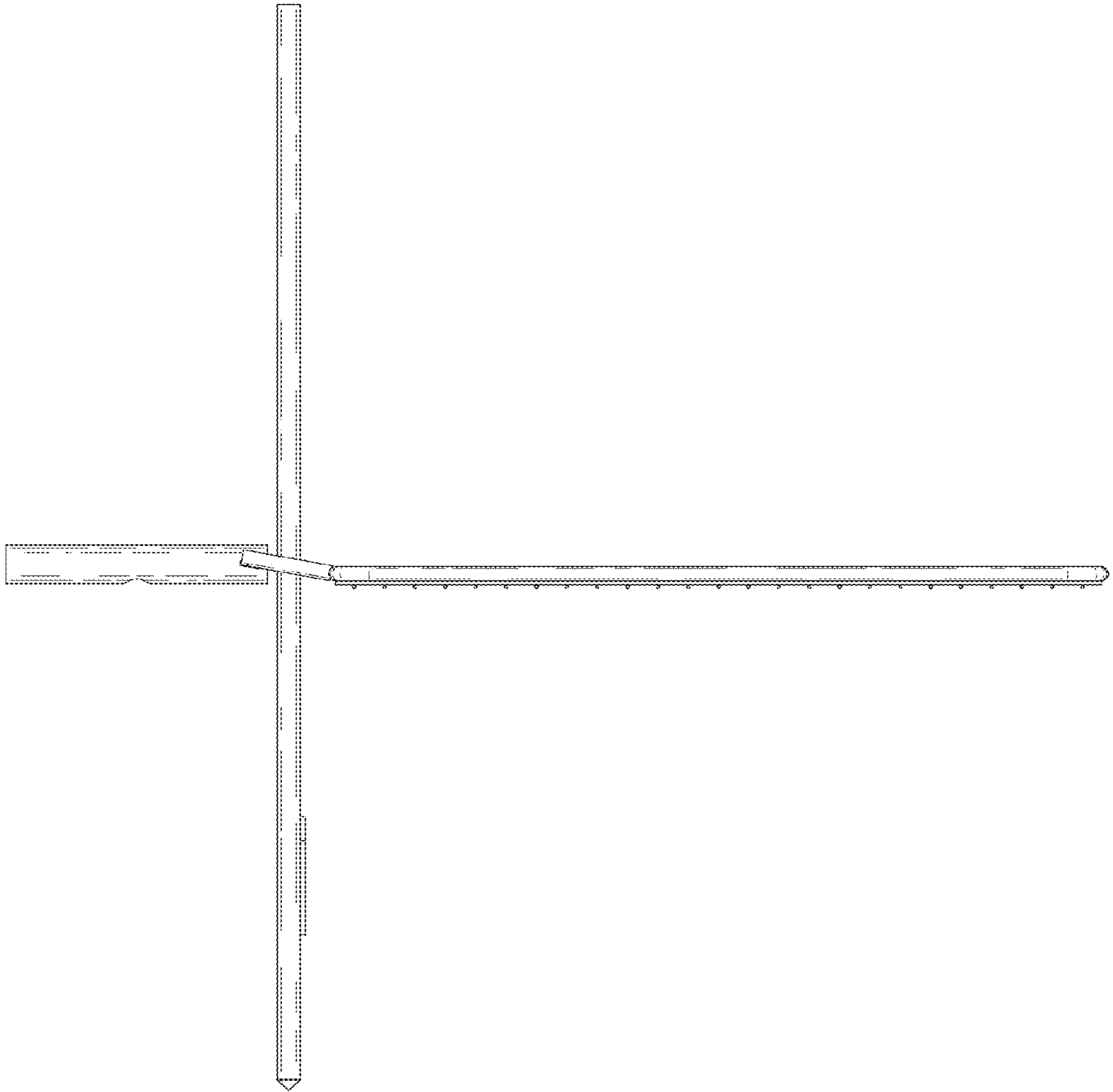
*Fig. 2*



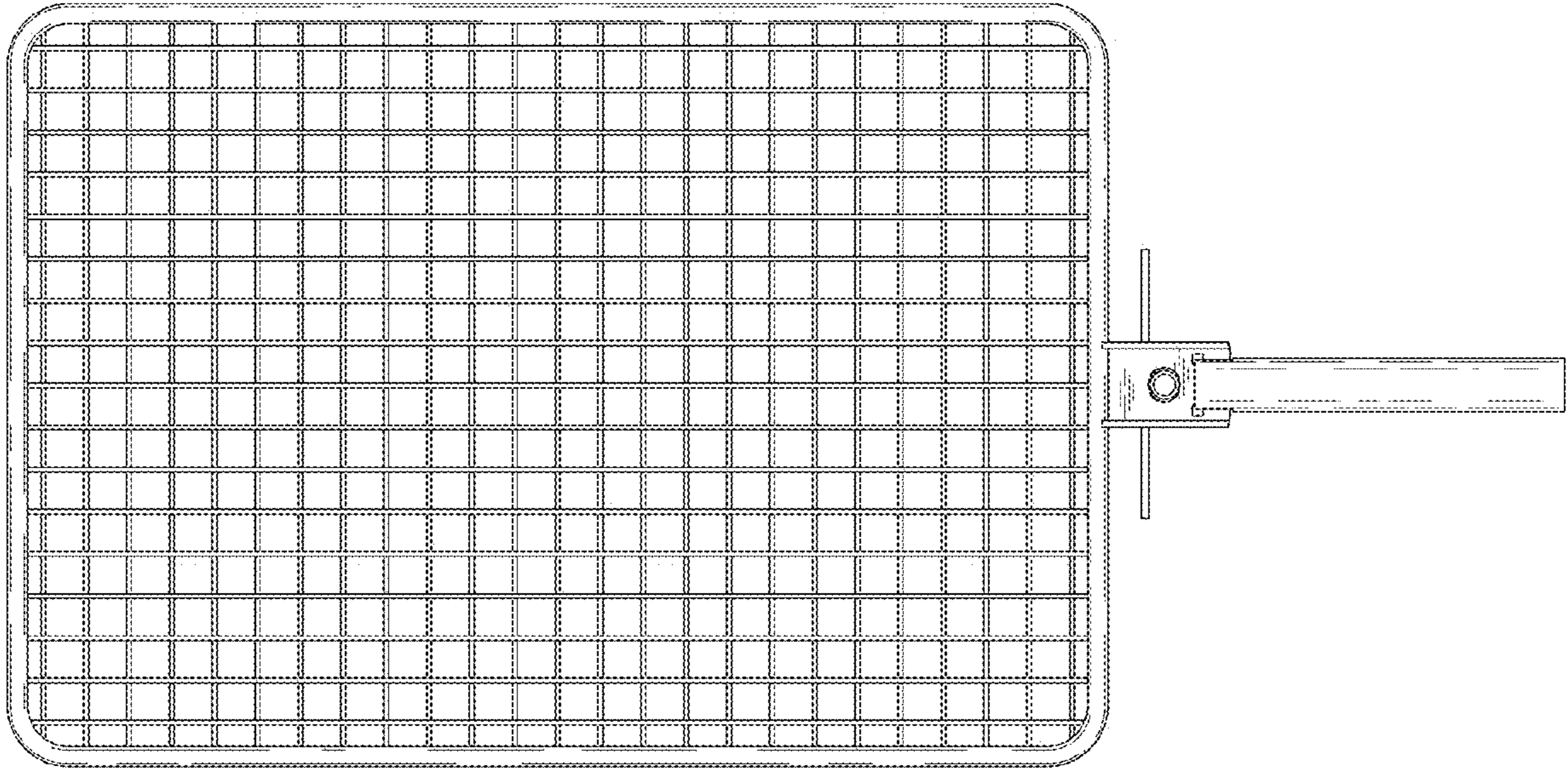
*Fig. 3*



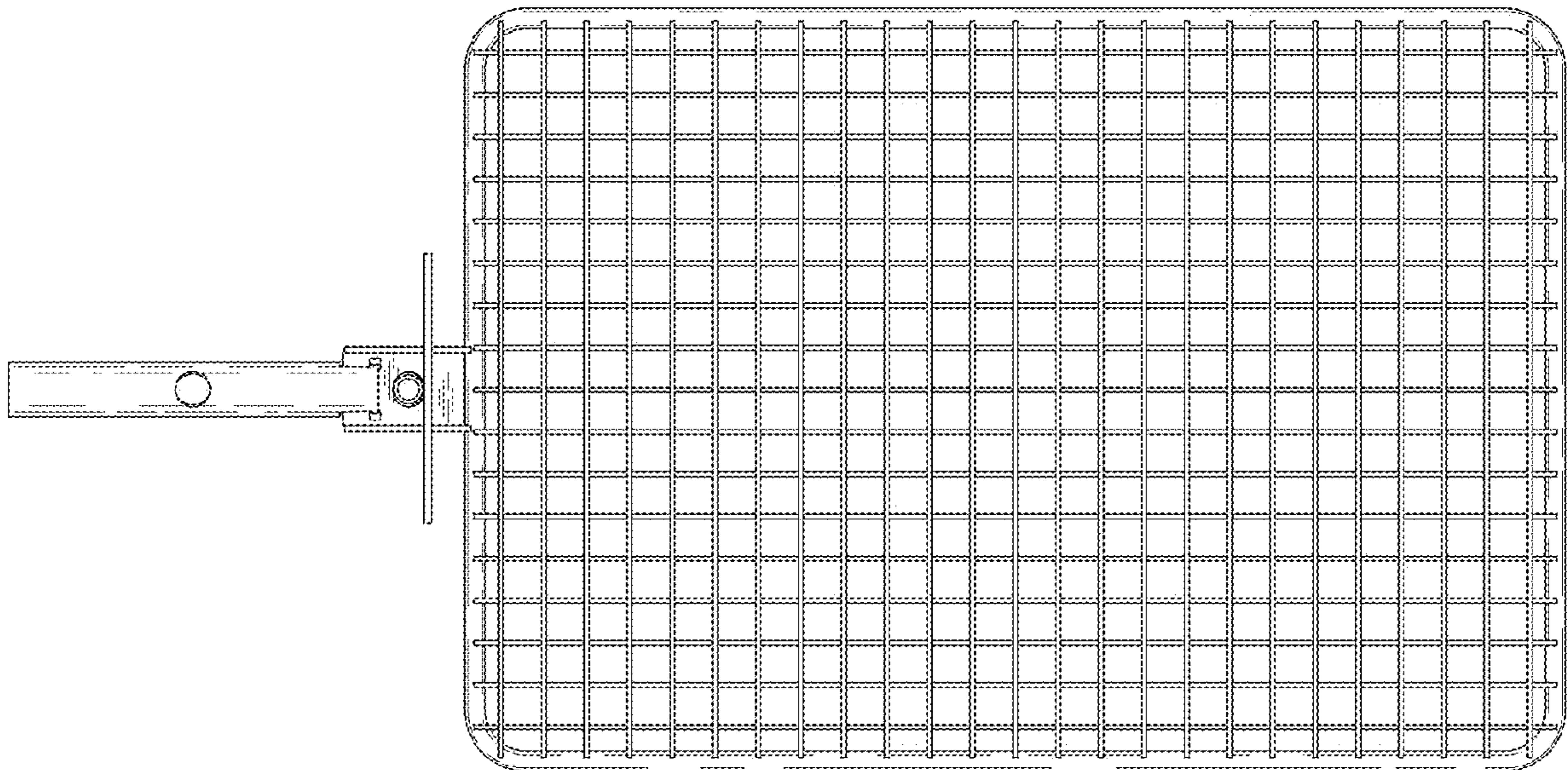
*Fig. 4*



*Fig. 5*



*Fig. 6*



*Fig. 7*