



US00D928559S

(12) **United States Design Patent** (10) **Patent No.:** **US D928,559 S**  
**Grassy et al.** (45) **Date of Patent:** **\*\* Aug. 24, 2021**

(54) **SINGLE-CUP BREWER AND MAT COMBINED**

(71) Applicant: **CHEMEX CORPORATION**,  
Chicopee, MA (US)

(72) Inventors: **Adams Grassy**, Brimfield, MA (US);  
**Eliza Grassy**, Lee, MA (US); **Meghan Dewar**, Amherst, MA (US)

(73) Assignee: **CHEMEX CORPORATION**,  
Chicopee, MA (US)

(\*\*) Term: **15 Years**

(21) Appl. No.: **29/705,091**

(22) Filed: **Sep. 10, 2019**

(51) **LOC (13) Cl.** ..... **07-02**

(52) **U.S. Cl.**  
USPC ..... **D7/400**

(58) **Field of Classification Search**  
USPC ..... D7/300, 387, 397, 399, 400, 401, 500,  
D7/533, 536, 560–565, 584, 585, 590,  
(Continued)

(56) **References Cited**

**U.S. PATENT DOCUMENTS**

1,879,820 A \* 9/1932 Perry ..... A47G 19/2205  
215/371

D137,943 S \* 5/1944 Schlumbohm ..... D7/318  
(Continued)

**OTHER PUBLICATIONS**

Chemex—Coffee Mug, first available Feb. 26, 2014, Amazon,  
[online], [site visited Apr. 29, 2021], Available from internet URL:  
<https://www.amazon.com/Chemex-Blown-Glass-Coffee-Ounce/dp/B00ICKV5CM> (Year: 2014).\*

(Continued)

*Primary Examiner* — Mary Ann Calabrese

*Assistant Examiner* — Natalya M Rapundalo

(74) *Attorney, Agent, or Firm* — Richard Kosakowski

(57) **CLAIM**

We claim the ornamental design for a single-cup brewer and mat combined, as shown and described.

**DESCRIPTION**

FIG. 1 is a perspective view of our new design for the combination of a single-cup brewer and a mat in an assembled state with a top surface of the mat abutting a bottom surface of the single-cup brewer;

FIG. 2 is a perspective view of the single-cup brewer and the mat in an exploded state with the top surface of the mat located away from the bottom surface of the single-cup brewer;

FIG. 3 is a front, rear, and/or side view elevation of the single-cup brewer and the mat, excluding the broken lines;

FIG. 4 is a bottom view of the single-cup brewer and the mat in an assembled state with the top surface of the mat abutting the bottom surface of the single-cup brewer;

FIG. 5 is a perspective view of the single-cup brewer shown separately from the mat to allow for additional clarity in the showing of the component;

FIG. 6 is a top view of the single-cup brewer;

FIG. 7 is a typical side view elevation of the single-cup brewer, excluding the broken lines. The side view is the same at any point around the periphery of the article;

FIG. 8 is a cross-sectional view of the single-cup brewer taken along lines 8-8 of the side view elevation of FIG. 7; and,

FIG. 9 is a bottom view of the single-cup brewer;

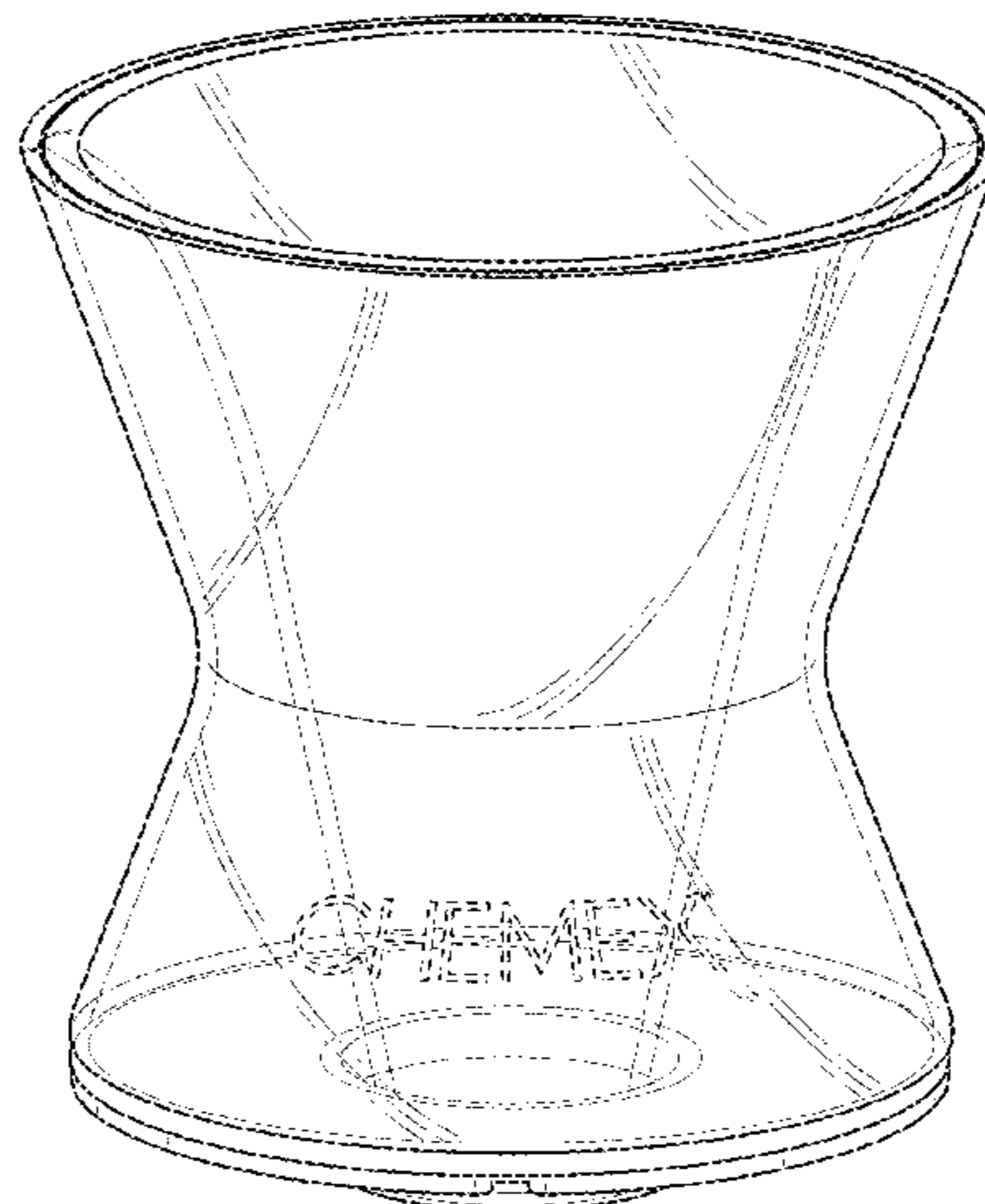
FIG. 10 is a perspective view of the mat shown separately from the single-cup brewer to allow for additional clarity in the showing of the component;

FIG. 11 is a top view of the mat;

FIG. 12 is a bottom view of the mat; and,

FIG. 13 is a side view of the mat as viewed from a point located around the outer circumference of the mat in which one of the four channels formed in the bottom surface of the mat is visible from this point of view, if the mat is rotated 90 or 180 degrees in either the clockwise or counter-clockwise direction then the resulting corresponding side view would be identical to that of FIG. 13, which is due to

(Continued)



the 90 degree spacing of the four channels formed in the bottom surface of the mat as better seen in FIGS. 4 and 12. The dashed broken lines in the drawings illustrate portions of the single-cup brewer and mat combined that form no part of the claimed design. The dash dot broken lines in FIG. 2 illustrate the path along which the components are exploded and in FIG. 7 illustrate the line along which the cross-sectional view is taken. The oblique dashed lines in FIG. 8 illustrate a cross section of transparent material.

**1 Claim, 13 Drawing Sheets**

**(58) Field of Classification Search**

USPC ..... D7/600.1, 600.2, 600.4, 601, 602, 607, D7/608, 619.1, 667, 700, 704, 316–318; D6/677, 677.5, 680, 682; D9/416, 424, D9/425, 427–429, 438, 443, 447, 454, D9/500, 516, 520; D8/382, 396; D23/213, 259, 262; D24/224  
CPC .. A47J 31/00; A47J 31/02; A47J 31/06; A47J 31/0605; A47J 31/061; A47J 31/0636; A47J 31/0642; A47J 31/0663; A47J 31/0668; A47J 31/0689; A47J 31/08; A47J 31/20; A47J 31/44; A47J 2031/0694; B65D 85/8043; B65D 85/8046

See application file for complete search history.

**(56) References Cited**

**U.S. PATENT DOCUMENTS**

2,414,901 A \* 1/1947 Schlumbohm ..... A47J 45/08 215/396  
2,414,902 A \* 1/1947 Schlumbohm ..... A47J 45/08 215/396  
2,705,086 A \* 3/1955 Schlumbohm ..... A47J 45/10 215/396  
D181,056 S \* 9/1957 Jenkins ..... D9/504  
D241,416 S \* 9/1976 Aul et al. .... D9/520  
D426,047 S \* 6/2000 Kurtz ..... D1/105  
D533,951 S \* 12/2006 Adams ..... D26/9  
D552,992 S \* 10/2007 Spencer ..... D9/454  
D580,696 S \* 11/2008 Bodum ..... D7/316  
D580,697 S \* 11/2008 Bodum ..... D7/316

D598,234 S \* 8/2009 Bodum ..... D7/317  
D616,262 S \* 5/2010 Lundstrom ..... A47J 45/08 D7/679  
D684,821 S \* 6/2013 Mariotti ..... A47J 45/08 D7/586  
D795,998 S \* 8/2017 Gelardi ..... D23/209  
D817,089 S \* 5/2018 Gross ..... D7/397  
D840,190 S \* 2/2019 Schueler ..... A47G 19/2205 D7/400  
D851,331 S \* 6/2019 Grace ..... A47J 45/10 D28/18  
D854,869 S \* 7/2019 Pisarevsky ..... D7/316  
D856,730 S \* 8/2019 Pisarevsky ..... D7/300  
D873,608 S \* 1/2020 de Martrin-Donos ..... D7/400  
D887,765 S \* 6/2020 Henkel ..... D7/316  
D908,445 S \* 1/2021 Stuart ..... D7/619.1  
2018/0160843 A1 \* 6/2018 Swift ..... A47J 31/20

**OTHER PUBLICATIONS**

Soma Carafe, first available Aug. 25, 2016, Amazon, [online], [site visited Apr. 29, 2021], Available from internet URL: <https://www.amazon.com/Soma-6-Cup-Water-Filter-Carafe/dp/B01I50D75Q> (Year: 2016).\*

Design No. 305031040, Feb. 12, 2019—China National Intellectual Property Administration (CNIPA) Publication Date—Feb. 12, 2019 Owner—Chen Lingling WIPO, available at <https://www3.wipo.int/designdb/en/index.jsp> (Year: 2019).\*

Chemex—Funnex, first available Feb. 20, 2020, Amazon, [online], [site visited Apr. 8, 2021], Available from internet URL: <https://www.amazon.com/Chemex-CHEMEX-Funnex/dp/B084RJPXWH> (Year: 2020).\*

Design No. 301074769.0000, Sep. 8, 2020—Korean Intellectual Property Office (KIPO) Publication Date—Sep. 14, 2020 Owner—IA Commerce Co Ltd, Designer—Jung Doo Seung WIPO, available at <https://www3.wipo.int/designdb/en/index.jsp> (Year: 2020).\*

Funnex, Chemex, [online], [site visited Apr. 8, 2021], Available from internet URL: <https://www.chemexcoffeemaker.com/funnex.html> (Year: 2021).\*

“Kalita Wave Drippers,” <https://prima-coffee.com/equipment/kalita-wave-dripper/>, Jun. 2019 (7 pages).

“Hario V60 Coffee Dripper,” <https://prima-coffee.com/equipment/hario/v60-02/>, Jun. 2019 (6 pages).

“Fellow Stagg Pour-Over Dripper,” <https://fellowproducts.com/shop/staggdripper/>, Jun. 2019 (5 pages).

“Melitta Pour-Over Coffeemakers,” <https://shoponline.melitta.com/items/pour-over-coffee-makers?perPage=all>, Jun. 2019 (6 pages).

\* cited by examiner

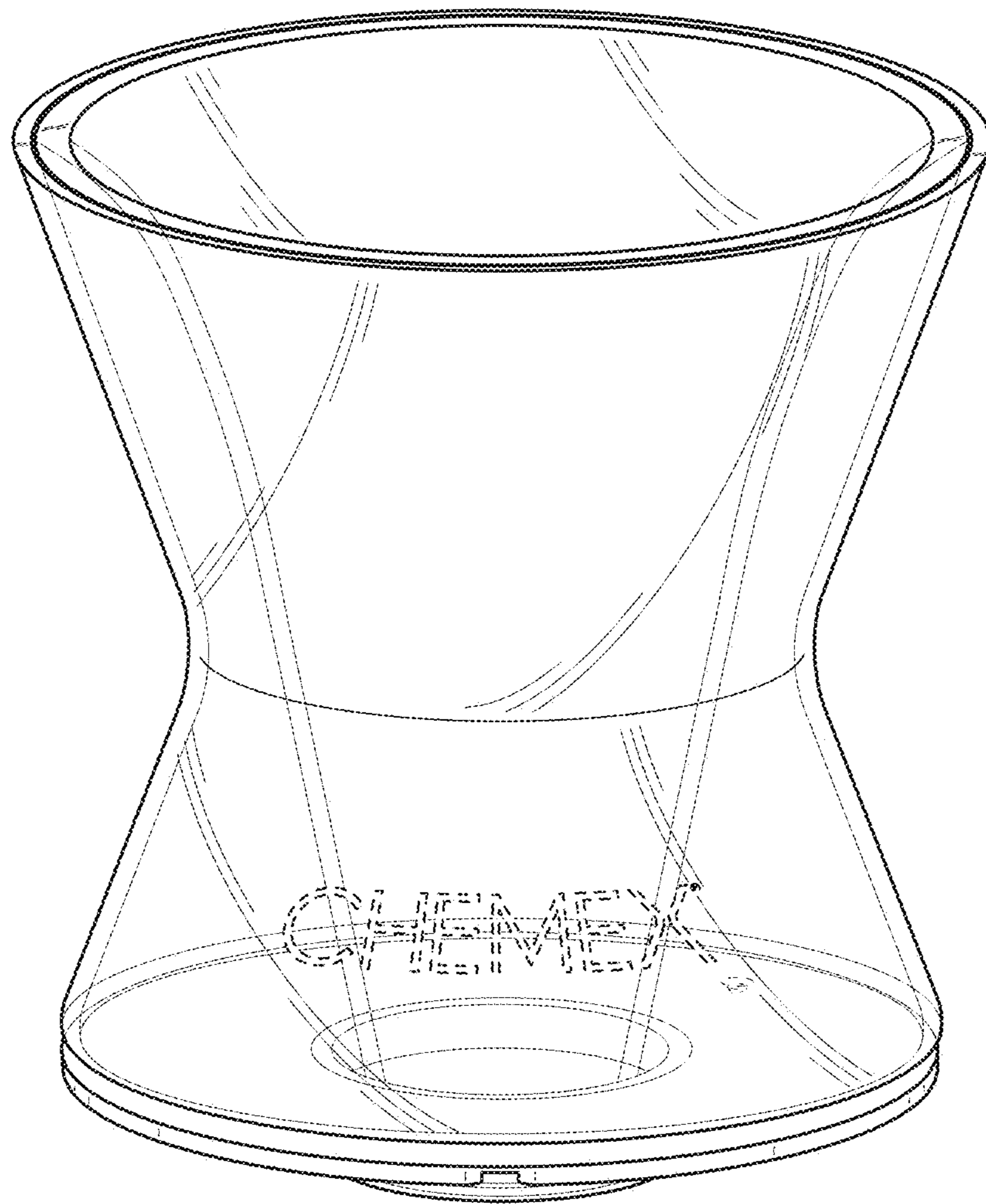


FIG. 1

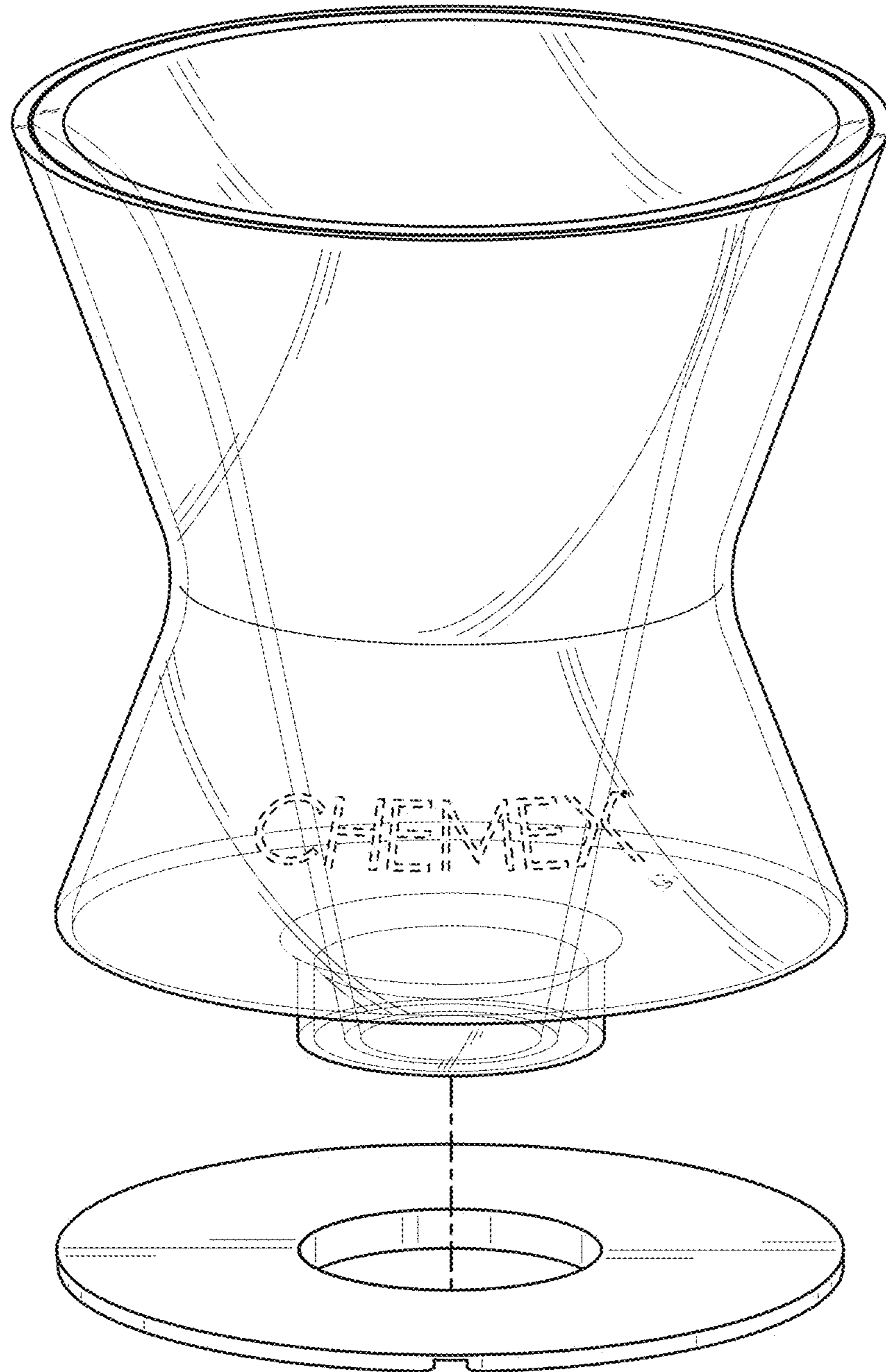


FIG. 2

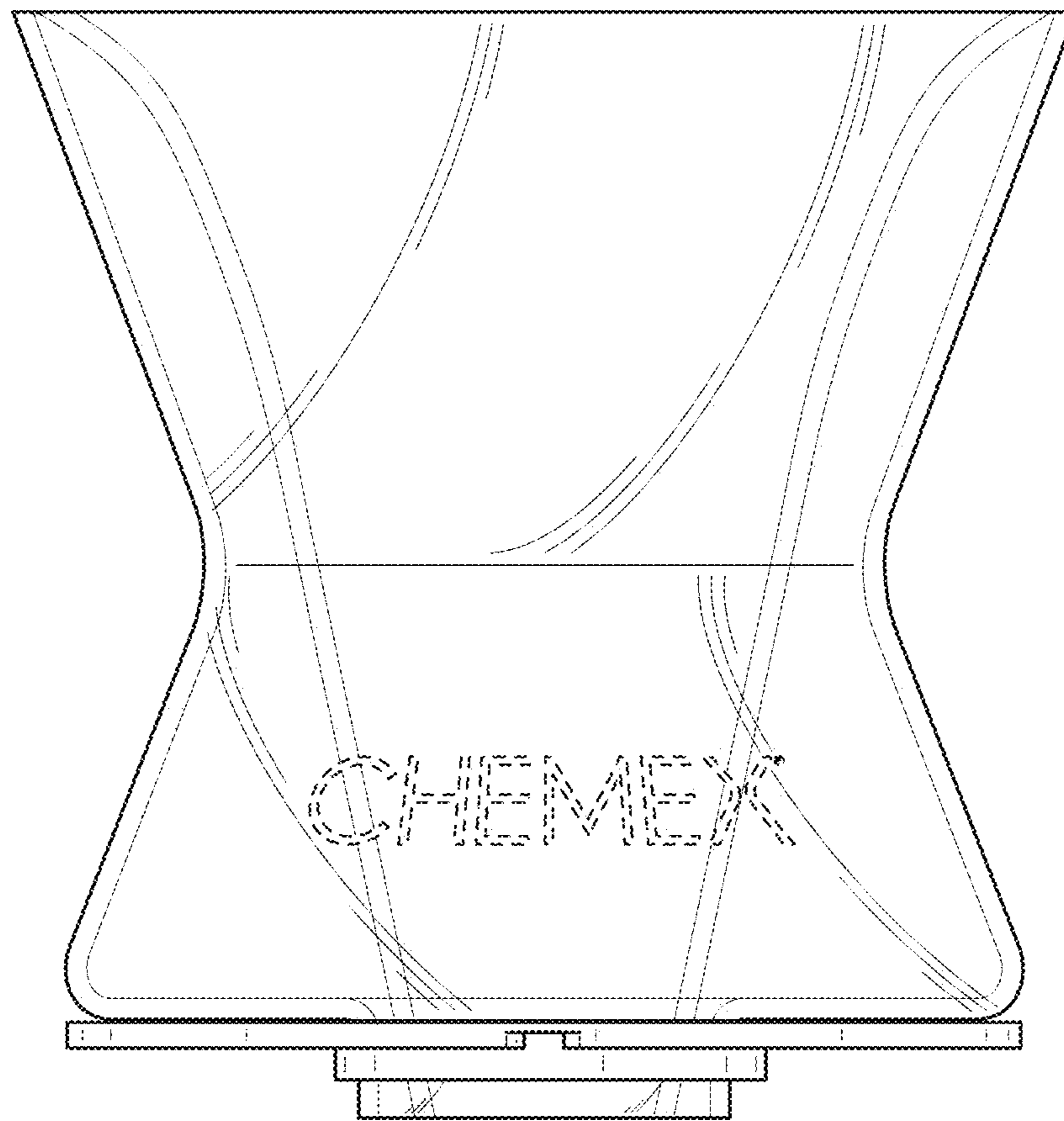


FIG. 3

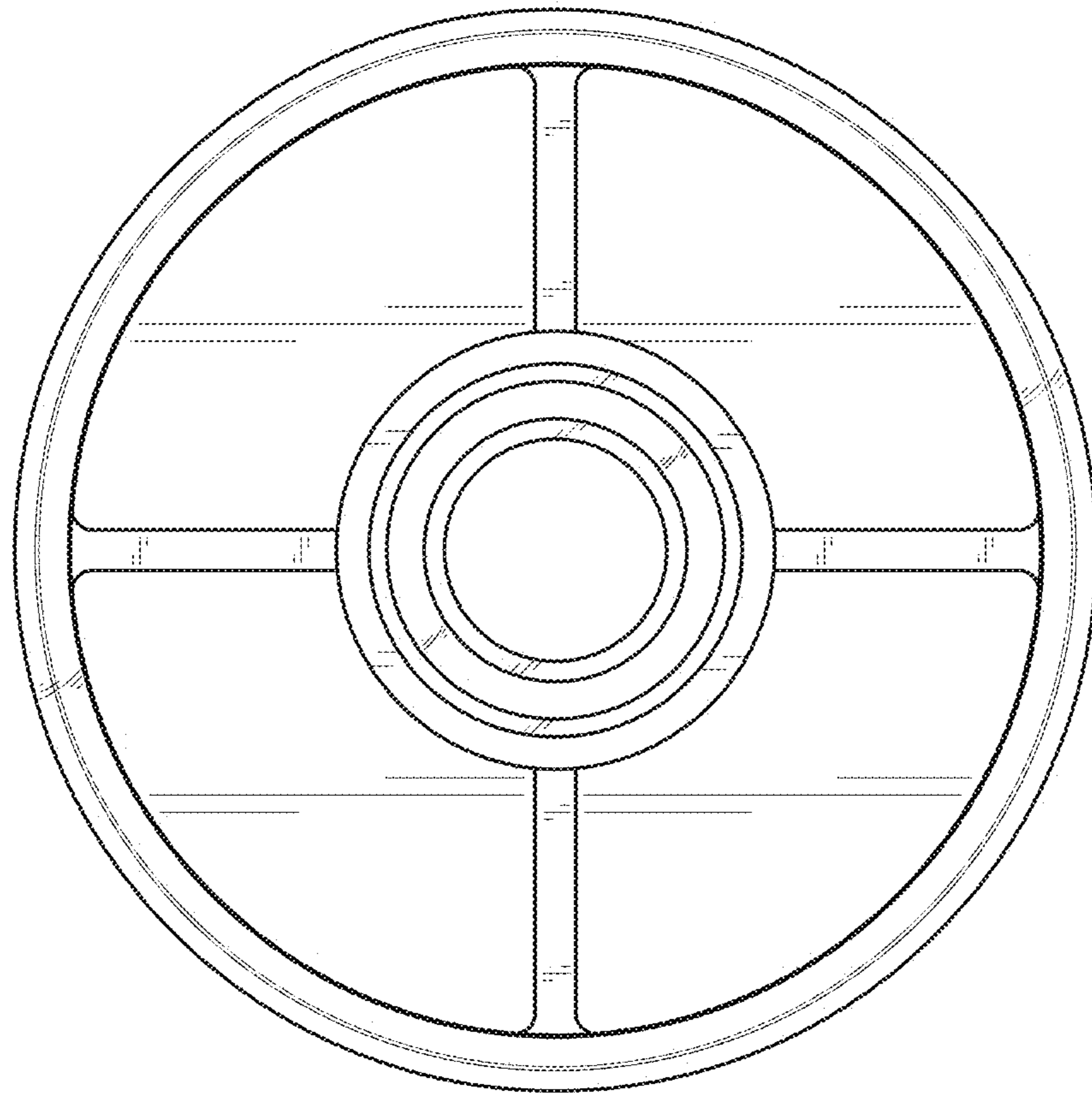


FIG. 4

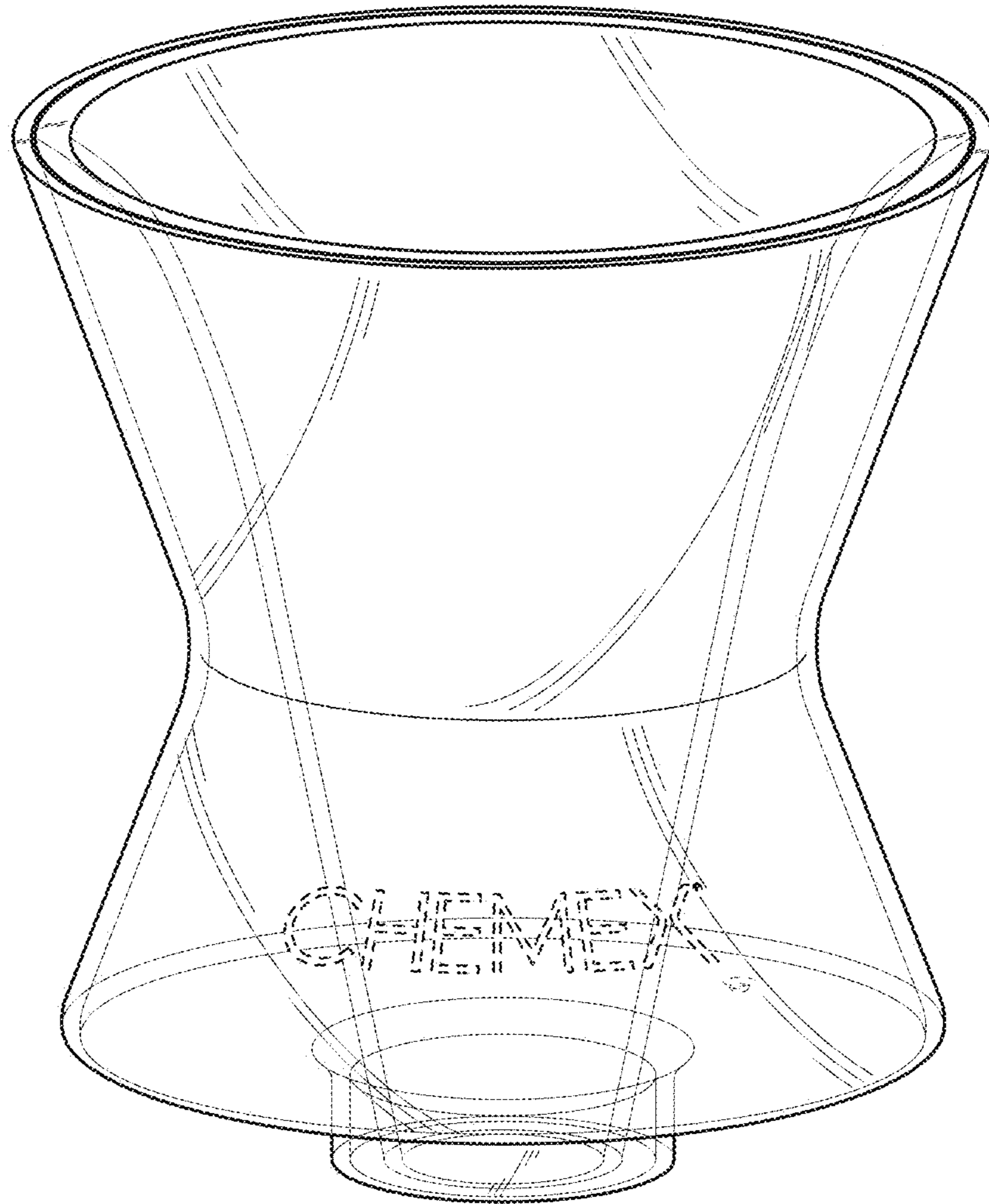


FIG. 5

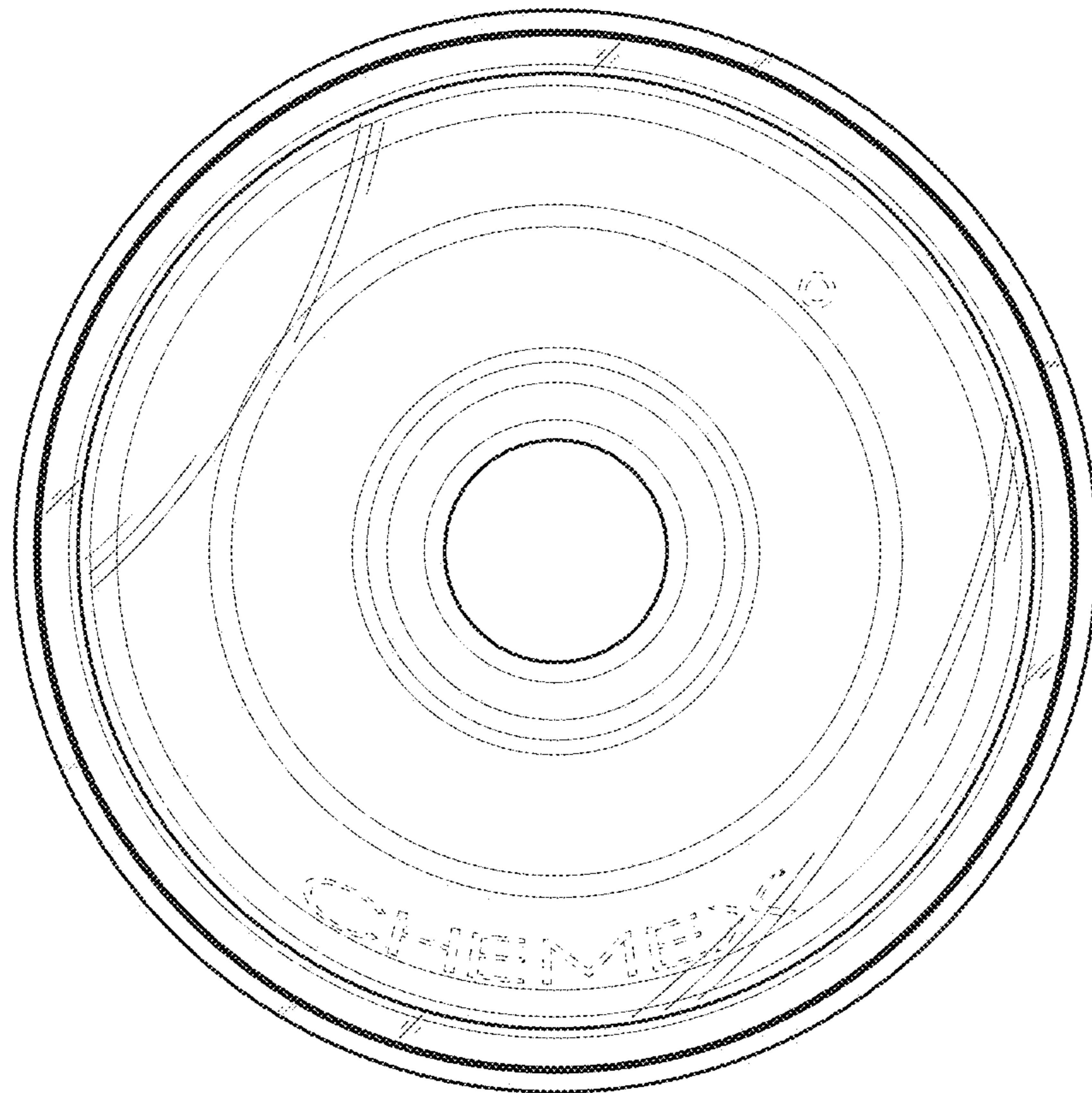


FIG. 6



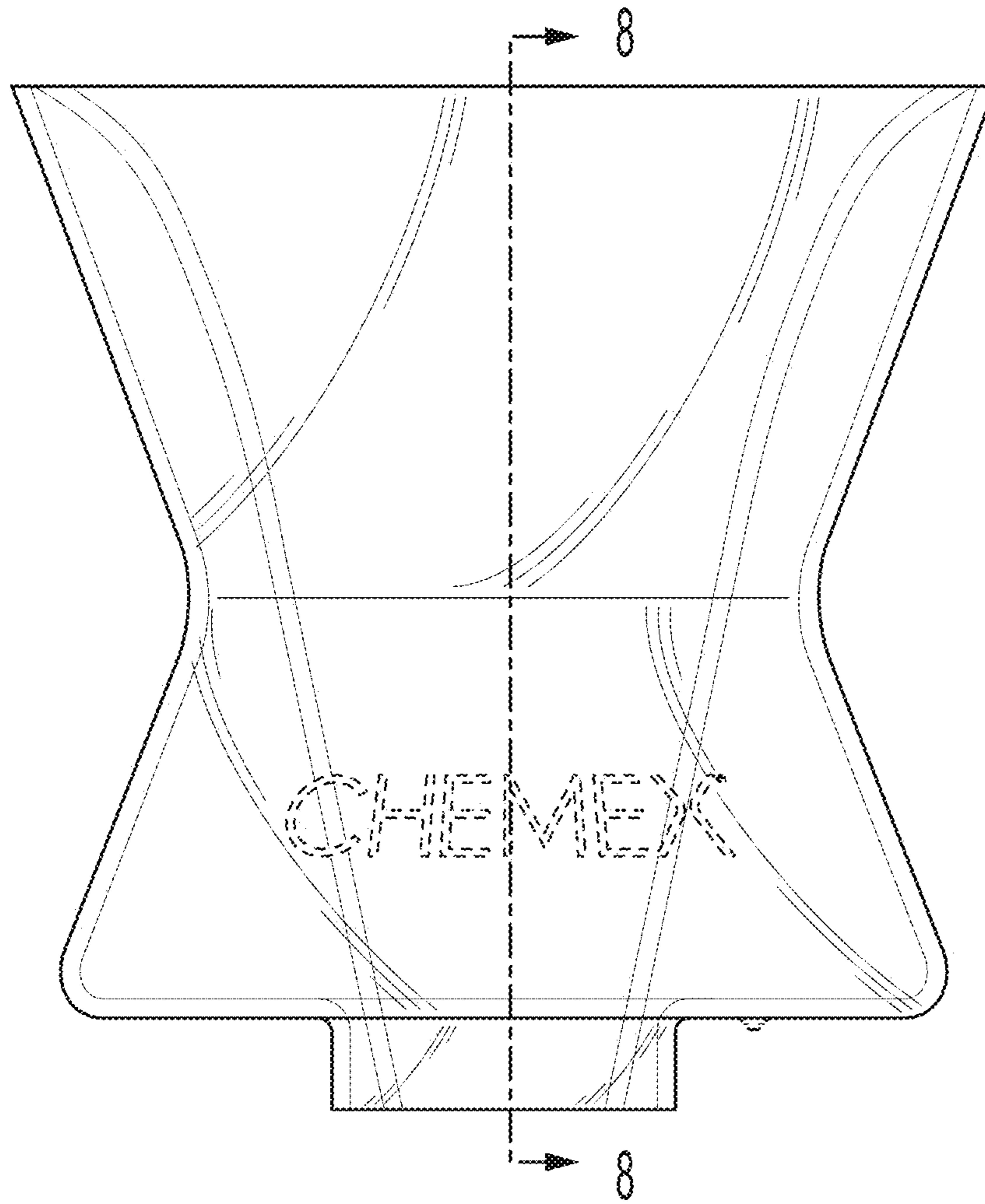


FIG. 7

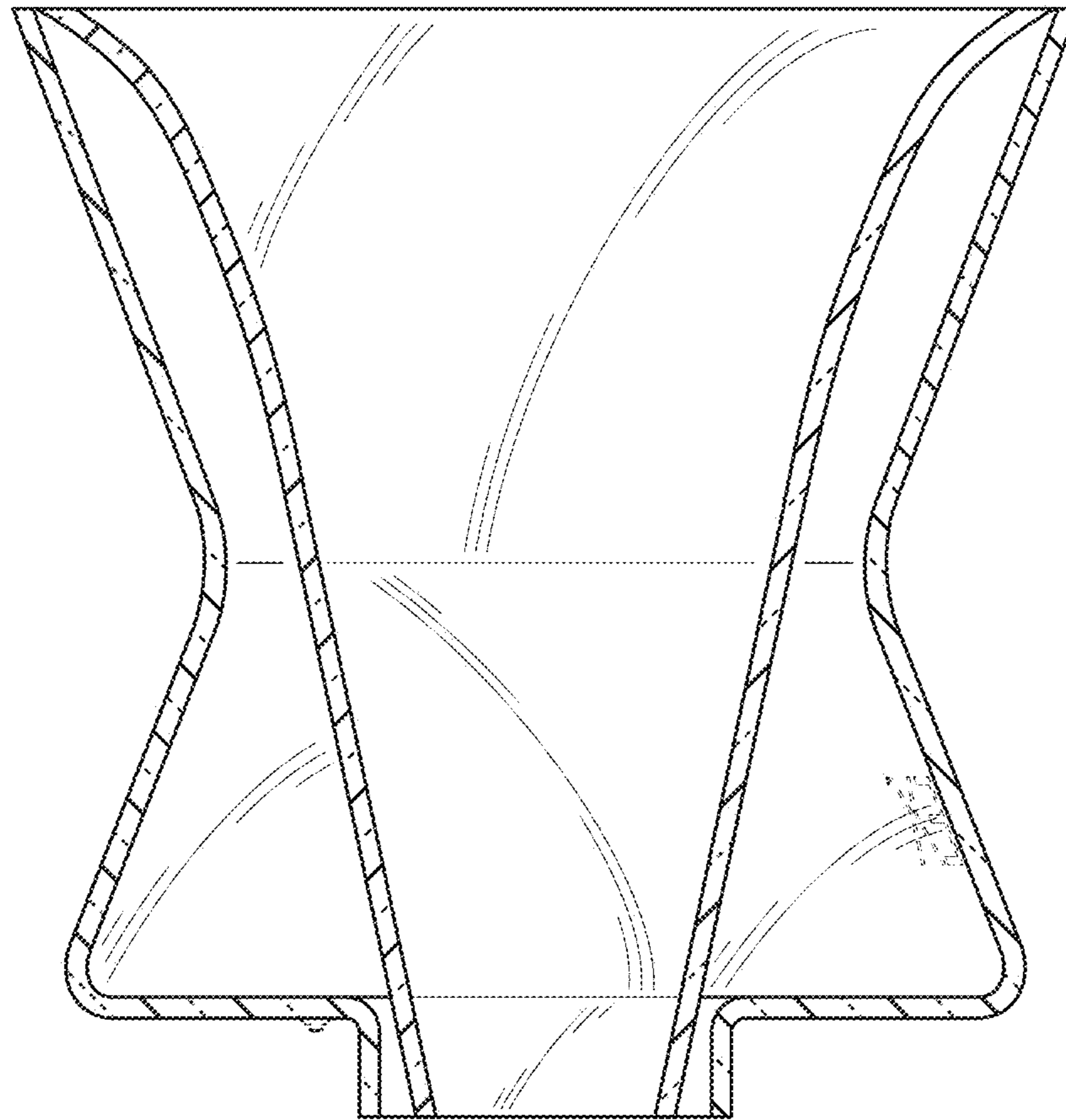


FIG. 8

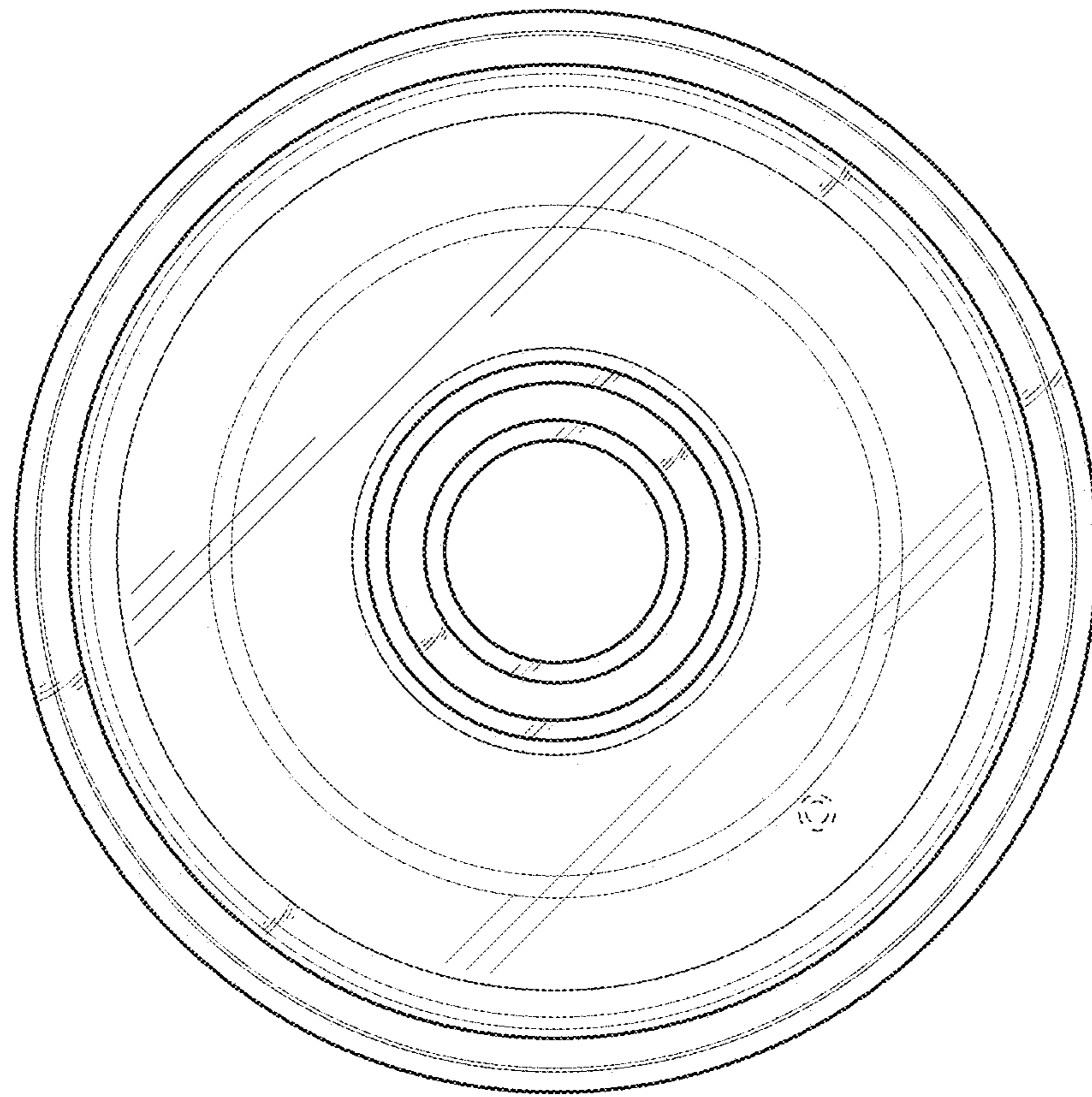


FIG. 9

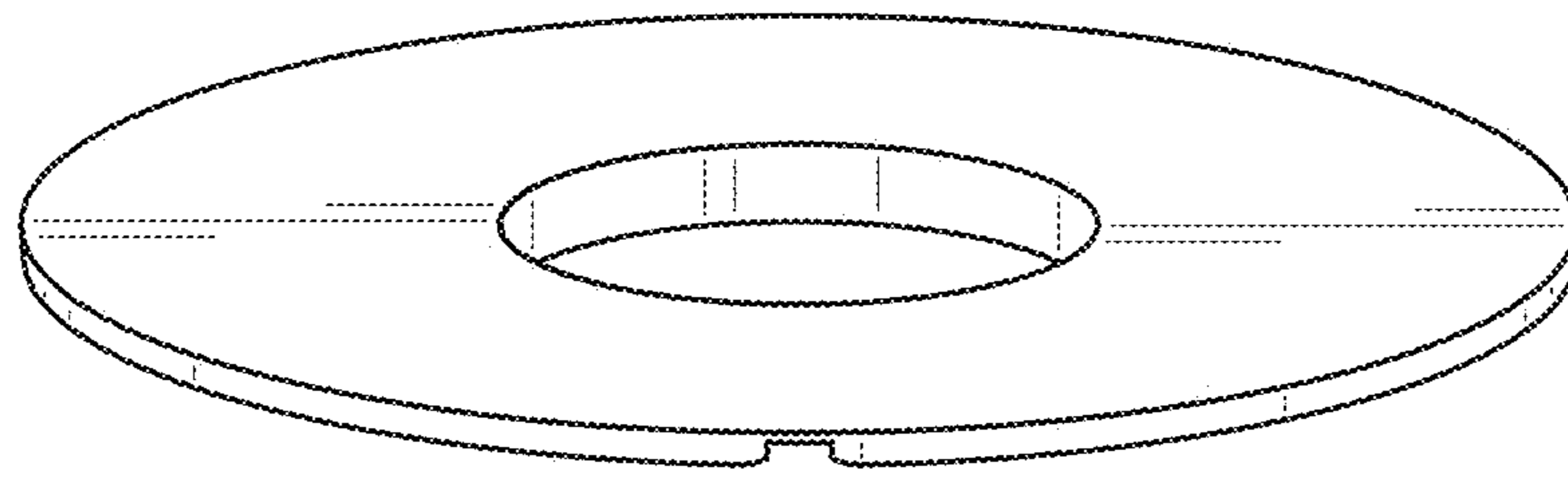


FIG. 10

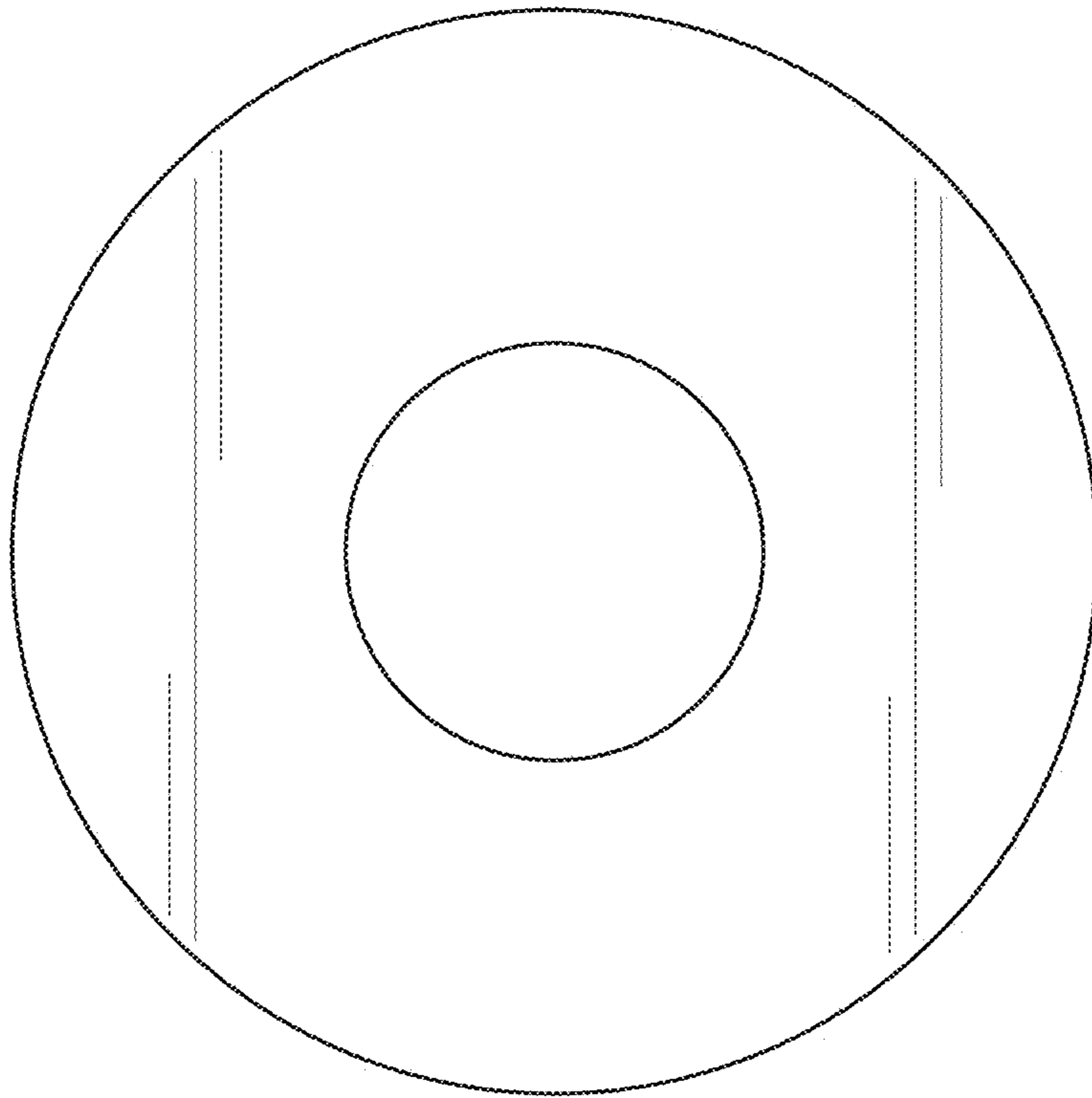


FIG. 11

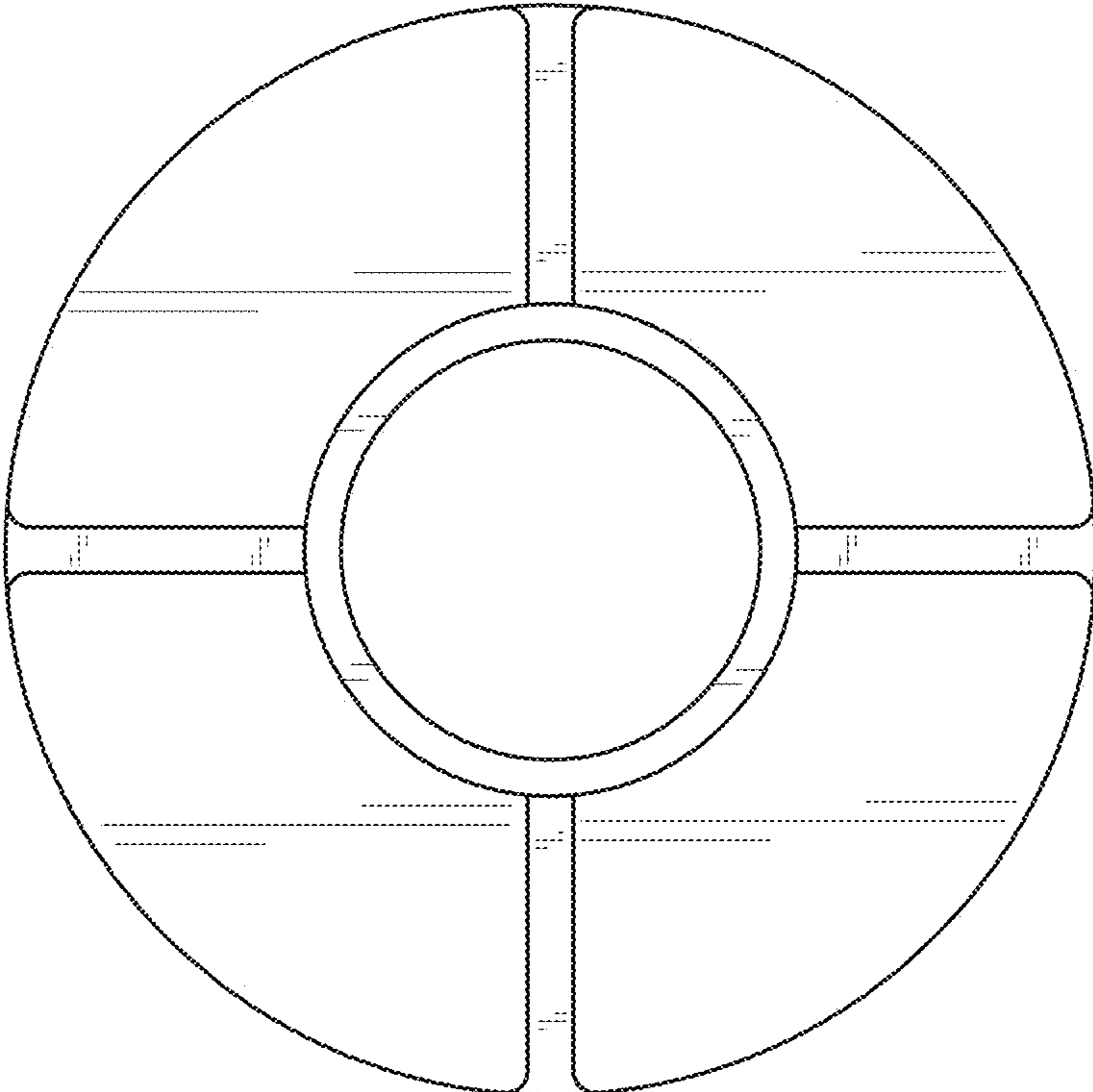


FIG. 12



FIG. 13