



US00D928558S

(12) **United States Design Patent** (10) **Patent No.:** **US D928,558 S**  
**Han** (45) **Date of Patent:** **\*\* Aug. 24, 2021**

(54) **BOTTLE LID**  
(71) Applicant: **T&T PLASTIC HARDWARE (ZHUHAI) CO., LTD.**, Guangdong (CN)  
(72) Inventor: **Zhigang Han**, Guangdong (CN)  
(73) Assignee: **T&T PLASTIC HARDWARE (ZHUHAI) CO., LTD.**, Guangdong (CN)

D865,441 S \* 11/2019 Lowette ..... D7/392  
D870,508 S \* 12/2019 Palkon ..... D7/392.1  
D884,416 S \* 5/2020 Meyers ..... D7/392  
D897,776 S \* 10/2020 Pan ..... D7/510  
D899,181 S \* 10/2020 Xie ..... D7/392.1  
D899,850 S \* 10/2020 Xie ..... D7/392.1  
10,829,275 B2 \* 11/2020 Owusu ..... B65D 51/242  
D903,404 S \* 12/2020 Bram ..... D7/392.1  
D905,498 S \* 12/2020 Zhang ..... D7/392.1  
D909,815 S \* 2/2021 Gui ..... D7/510  
2012/0187075 A1 \* 7/2012 El-Saden ..... B65D 51/242  
215/389

(Continued)

(\*\*) Term: **15 Years**

(21) Appl. No.: **29/751,028**  
(22) Filed: **Sep. 17, 2020**  
(51) **LOC (13) Cl.** ..... **07-01**  
(52) **U.S. Cl.**  
USPC ..... **D7/392.1**; D7/396.2; D7/510  
(58) **Field of Classification Search**  
USPC ..... D7/507, 509, 510, 511, 387, 392.1,  
D7/396.2, 368, 690, 376, 300.1, 300.2,  
D7/312, 213; D9/435, 436, 530, 537,  
D9/543, 503, 504  
CPC ..... A47J 43/27; A47G 19/22; A47G 19/16;  
A47G 19/2205; A47G 19/2288; B65D  
1/265

See application file for complete search history.

(56) **References Cited**

**U.S. PATENT DOCUMENTS**

RE42,484 E \* 6/2011 Kitamura ..... D7/510  
D783,401 S 4/2017 Way  
D794,386 S \* 8/2017 Steel ..... D7/396.2  
D811,879 S 3/2018 Way  
D812,419 S \* 3/2018 Yao ..... D7/392.1  
D814,236 S \* 4/2018 Rolfson ..... D7/392.1  
D816,411 S \* 5/2018 Stover ..... D7/510  
D818,317 S \* 5/2018 Fu ..... D7/510  
D818,768 S \* 5/2018 Joseph ..... D7/396.2  
D818,774 S \* 5/2018 Stover ..... D7/510  
D849,481 S \* 5/2019 Washburn ..... D7/510  
D853,181 S \* 7/2019 Stanton ..... D7/392

**OTHER PUBLICATIONS**

[https://www.amazon.com/Japanese-Waves-Stencil-Scrapbook-Furniture/dp/B07NZ6GXP5/?\\_encoding=UTF8&pd\\_rd\\_w=iE47X&pf\\_rd\\_p=49ff6d7e-521c-4ccb-9f0a-35346bfc72eb&pf\\_rd\\_r=DPAE091559YHY5439YVP&pd\\_rd\\_r=b6d9406d-8111-468a-a3ee-5a168b2993ef&pd\\_rd\\_wg=atnUL&ref\\_=pd\\_gw\\_ci\\_mcx\\_mr\\_hp\\_d](https://www.amazon.com/Japanese-Waves-Stencil-Scrapbook-Furniture/dp/B07NZ6GXP5/?_encoding=UTF8&pd_rd_w=iE47X&pf_rd_p=49ff6d7e-521c-4ccb-9f0a-35346bfc72eb&pf_rd_r=DPAE091559YHY5439YVP&pd_rd_r=b6d9406d-8111-468a-a3ee-5a168b2993ef&pd_rd_wg=atnUL&ref_=pd_gw_ci_mcx_mr_hp_d)  
(Year: 2019).\*  
8863e076-d8d2-4787-aff2-a0de512cd5d1-163125.pdf (Year: 2020).\*

*Primary Examiner* — Jae Liang  
(74) *Attorney, Agent, or Firm* — ScienBiziP, P.C.

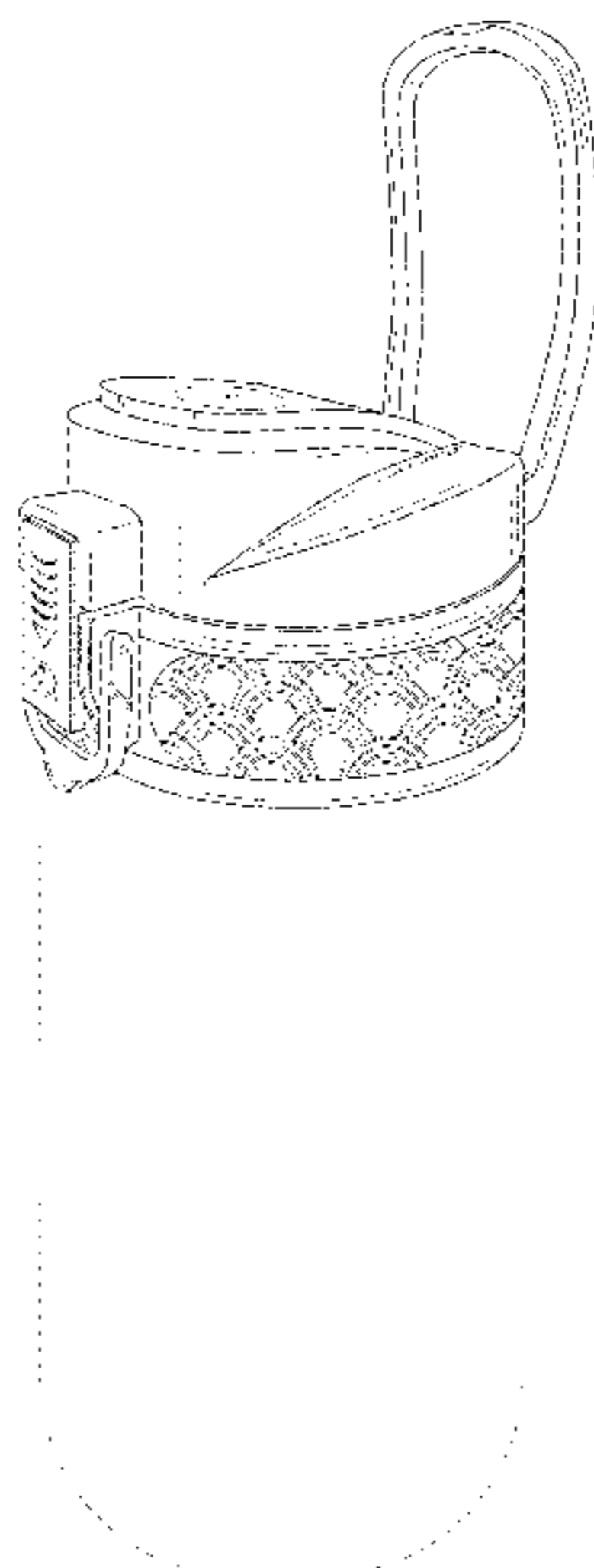
(57) **CLAIM**

The ornamental design for a bottle lid, as shown and described.

**DESCRIPTION**

FIG. 1 is a front and right perspective view of a bottle lid, showing my design.  
FIG. 2 is a front elevation view thereof.  
FIG. 3 is a rear elevation view thereof.  
FIG. 4 is a left side elevation thereof.  
FIG. 5 is a right side elevation thereof.  
FIG. 6 is a top plan view thereof; and,  
FIG. 7 is a bottom plan view thereof.  
The broken lines in the drawings depict environmental structure and boundaries and form no part of the claimed design.

**1 Claim, 7 Drawing Sheets**



(56)

**References Cited**

U.S. PATENT DOCUMENTS

2014/0048511 A1\* 2/2014 El-Saden ..... A47G 19/2266  
215/389  
2017/0253394 A1\* 9/2017 Fogarty ..... A45F 3/16  
2017/0253397 A1\* 9/2017 Coon ..... A47G 19/2272  
2018/0208366 A1\* 7/2018 Fang ..... B65D 47/066

\* cited by examiner

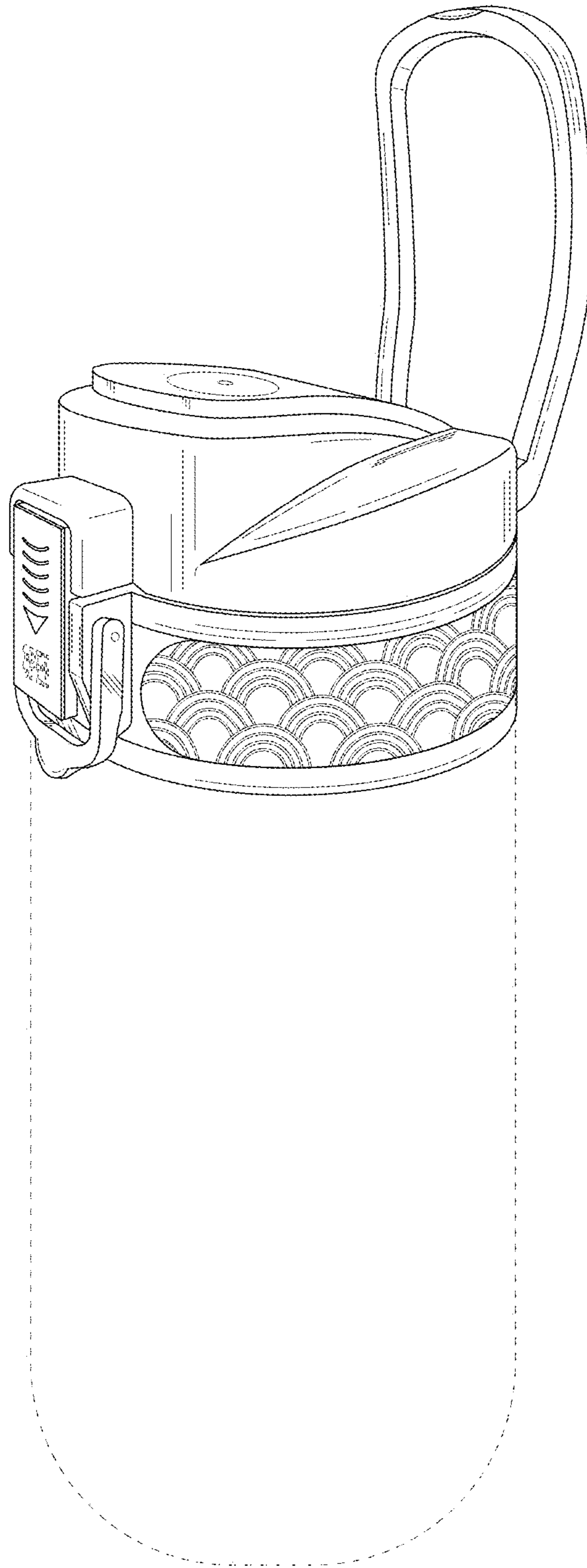


FIG. 1

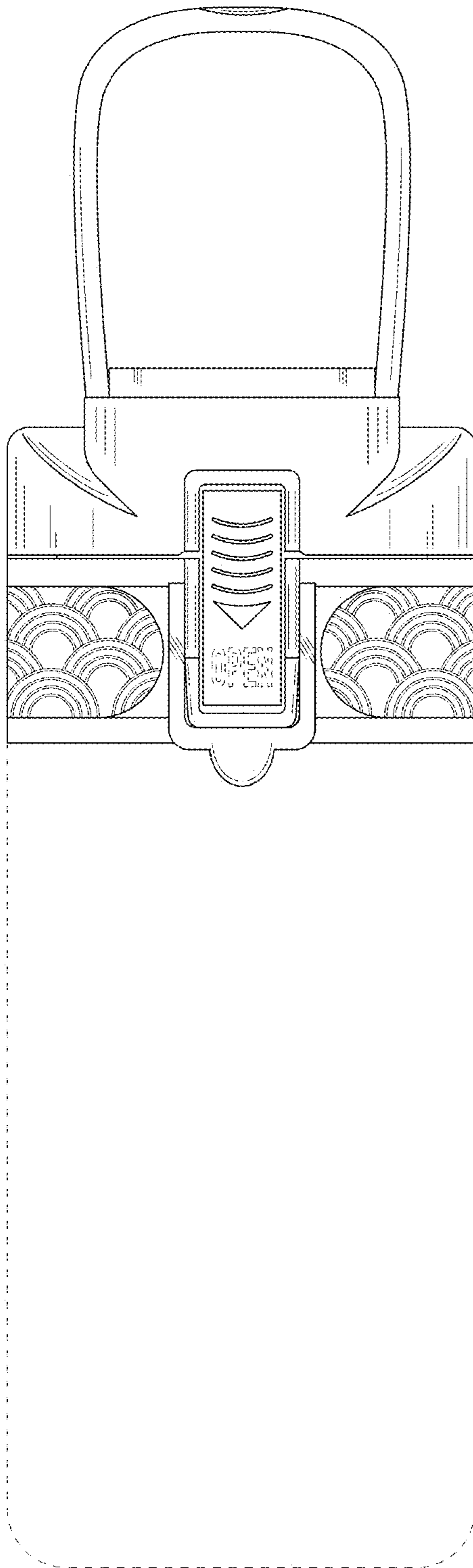


FIG.2

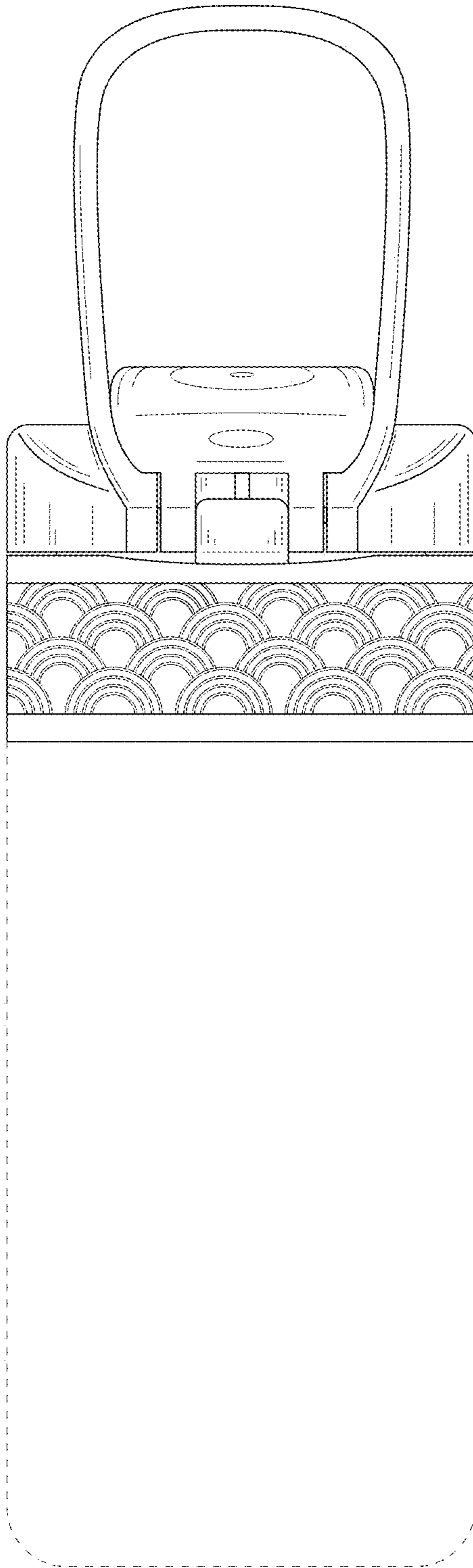


FIG.3

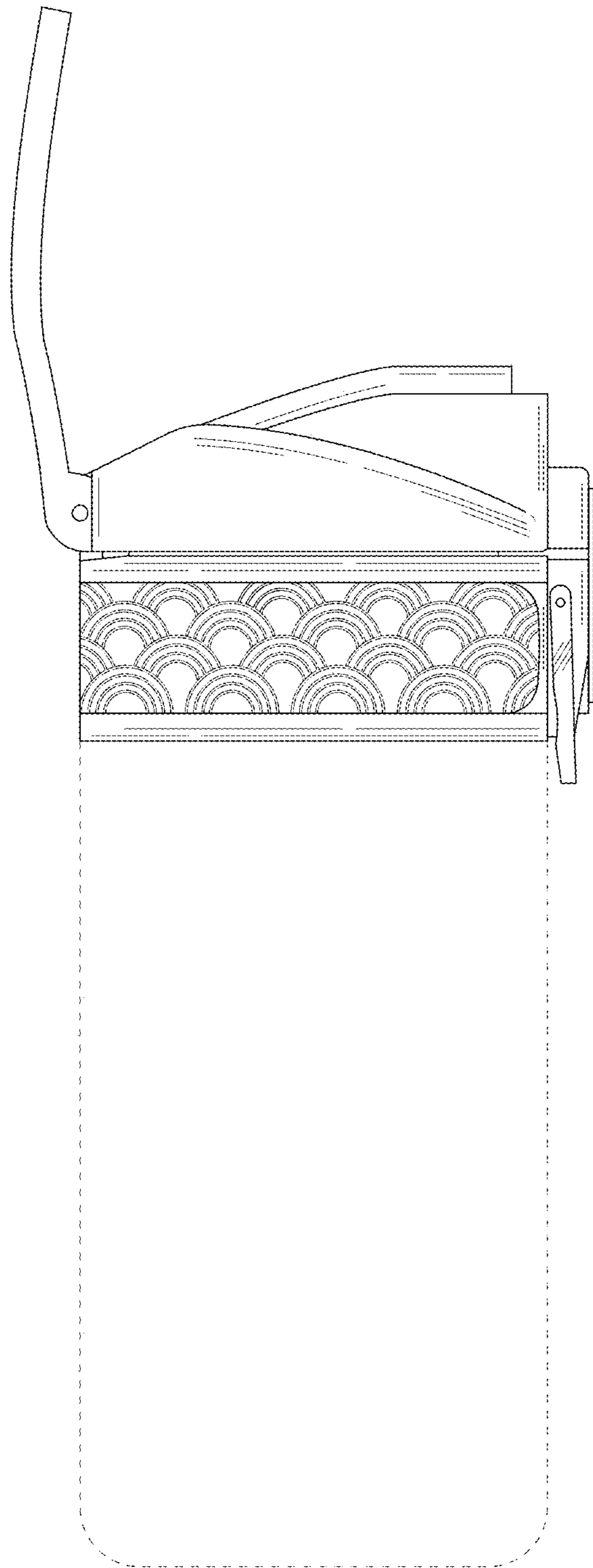


FIG.4

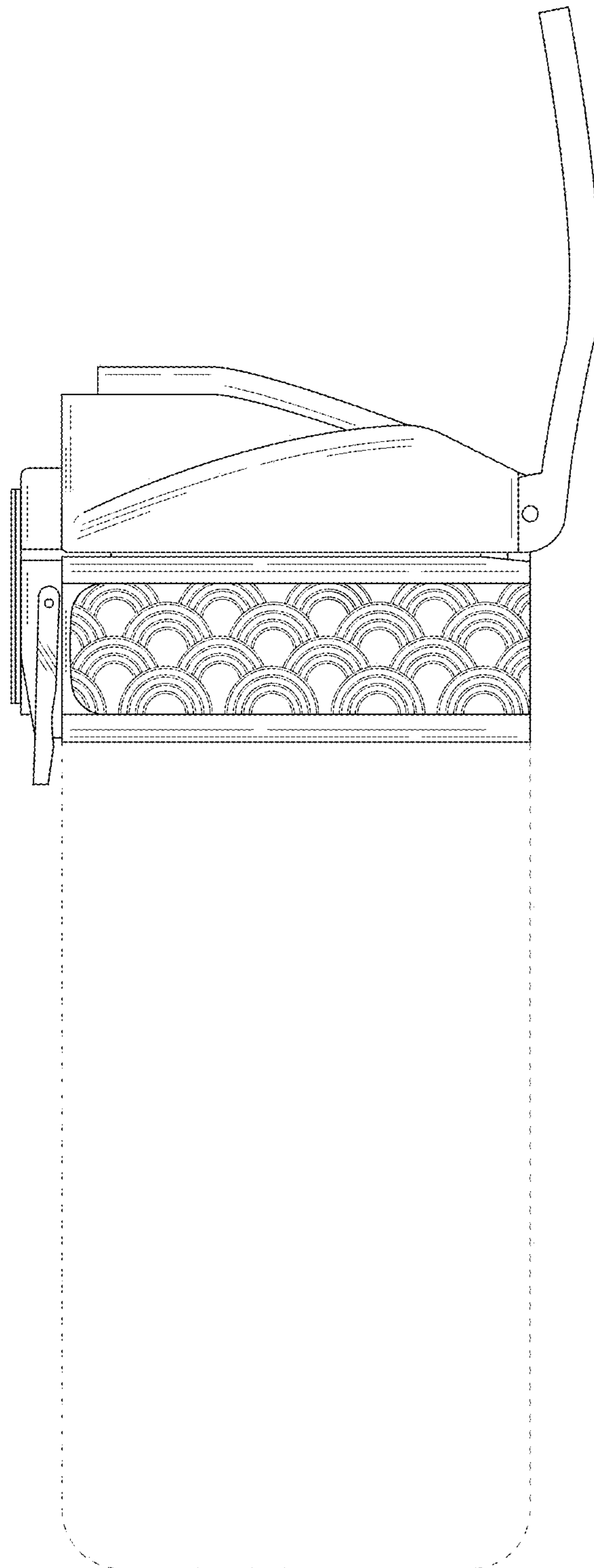


FIG.5

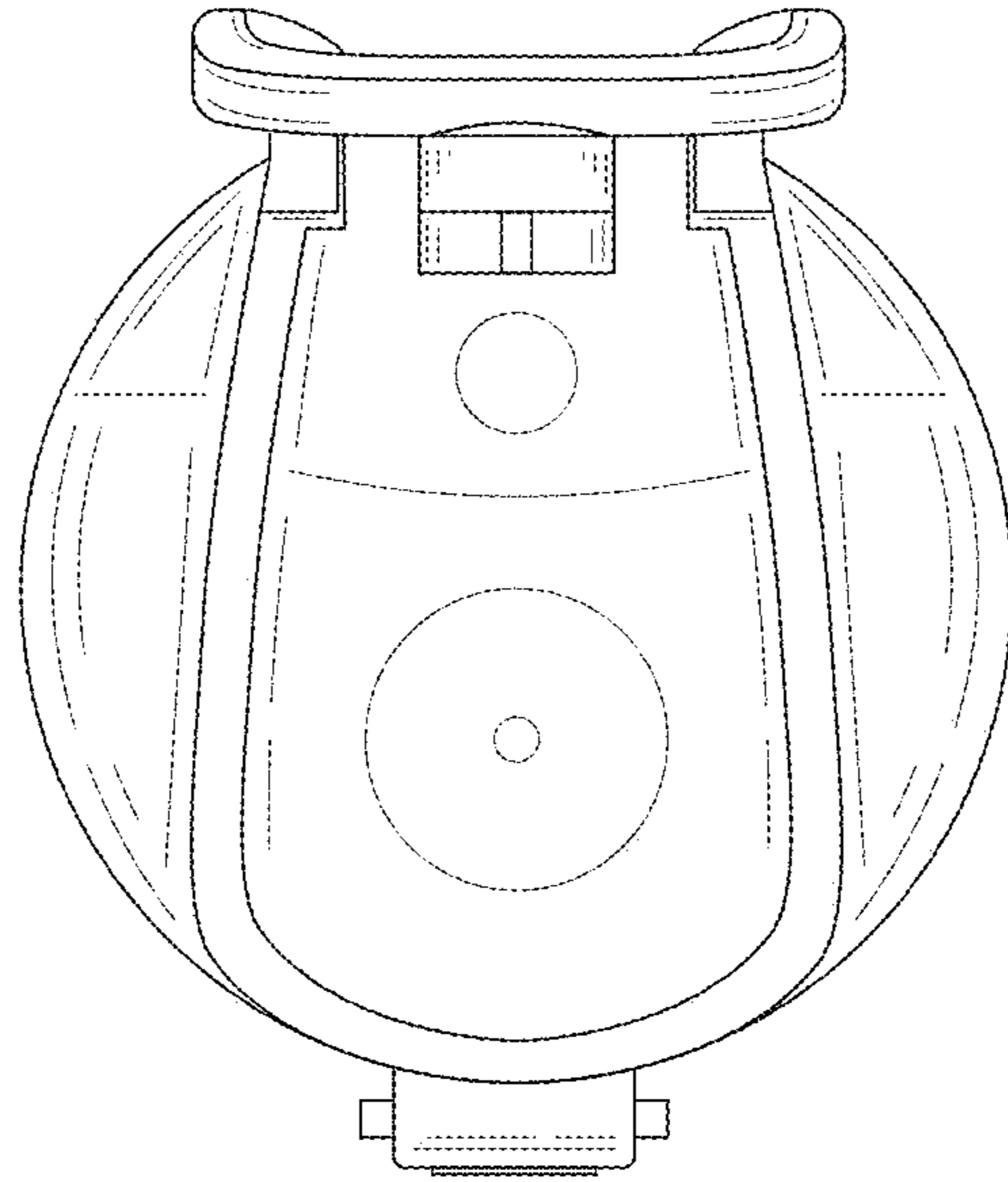


FIG.6



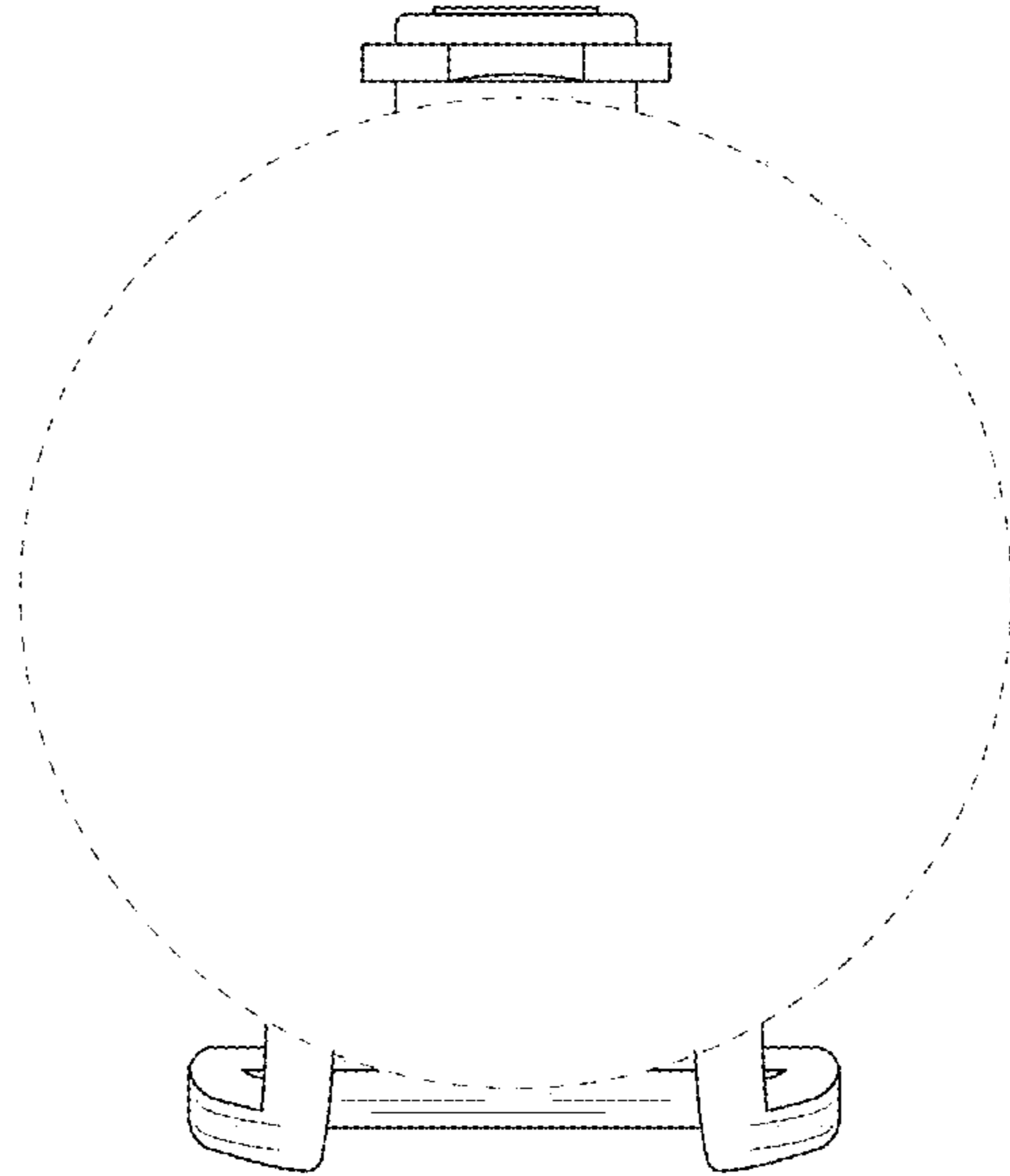


FIG.7