



US00D928557S

(12) **United States Design Patent**
Spivey et al.

(10) **Patent No.:** **US D928,557 S**

(45) **Date of Patent:** **** Aug. 24, 2021**

(54) **CONTAINER LID**

(71) Applicant: **Base Brands, LLC**, Atlanta, GA (US)

(72) Inventors: **Patrick Spivey**, Atlanta, GA (US);
Kenneth Kreaflle, Atlanta, GA (US)

(73) Assignee: **Base Brands, LLC**, Atlanta, GA (US)

(**) Term: **15 Years**

(21) Appl. No.: **29/711,703**

(22) Filed: **Nov. 1, 2019**

(51) **LOC (13) Cl.** **07-99**

(52) **U.S. Cl.**
USPC **D7/392.1**

(58) **Field of Classification Search**
USPC D7/509, 510, 511, 624.1, 387, 391, 392,
D7/392.1, 393, 396.1, 396.2; D9/434,
D9/435, 439, 445, 447, 451, 454, 438,
D9/440, 443, 452, 453; D23/259, 260,
D23/261, 209, 210; D24/162, 127
CPC B65D 43/265; B65D 17/506; B65D 47/04;
B65D 47/06; B65D 47/08; B65D 47/20;
B65D 1/00; B65D 1/02; B65D 1/10;
B65D 1/46; B65D 2585/56; B65D
2585/545;

(Continued)

(56) **References Cited**

U.S. PATENT DOCUMENTS

D638,658 S * 5/2011 Staton D7/392
D686,870 S * 7/2013 Young D7/392.1
(Continued)

OTHER PUBLICATIONS

Sport Spout Lid: Announced Nov. 10, 2019 [online]. Site Visited [Dec. 28, 2020]. Available from Internet URL: https://www.amazon.com/808-Bottles-Replacement-Accessory-Compatible/dp/B07YJHGHJD/ref=cm_cr_ar_p_d_product_top?ie=UTF8.*

Primary Examiner — Catherine S Posthauer

(74) *Attorney, Agent, or Firm* — Park, Vaughan, Fleming & Dowler LLP

(57) **CLAIM**

The ornamental designs for a container lid, as shown and described.

DESCRIPTION

FIG. 1 is a top front perspective view of a container lid, showing our new design, shown in a closed position of use; FIG. 2 is a top rear perspective view thereof.

FIG. 3 is a top view thereof.

FIG. 4 is a bottom view thereof.

FIG. 5 is a front view thereof.

FIG. 6 is a back view thereof.

FIG. 7 is a left side view thereof.

FIG. 8 is a right side view thereof.

FIG. 9 is a cross-sectional view of the container lid, taken in the direction of line 9-9 on FIG. 5.

FIG. 10 is an exploded top front perspective view.

FIG. 11 is a top front perspective view thereof, showing the handle feature in an open position of use.

FIG. 12 is a rear front perspective view thereof.

FIG. 13 is a top view thereof.

FIG. 14 is a bottom view thereof.

FIG. 15 is a front view thereof.

FIG. 16 is a back view thereof.

FIG. 17 is a left side view thereof.

FIG. 18 is a right side view thereof.

FIG. 19 is a cross-sectional view of the container lid, taken in the direction of line 19-19 on FIG. 15.

FIG. 20 is a top front perspective view thereof, showing the cap feature in an open position of use.

FIG. 21 is a top rear perspective view thereof.

FIG. 22 is a top view thereof.

FIG. 23 is a bottom view thereof.

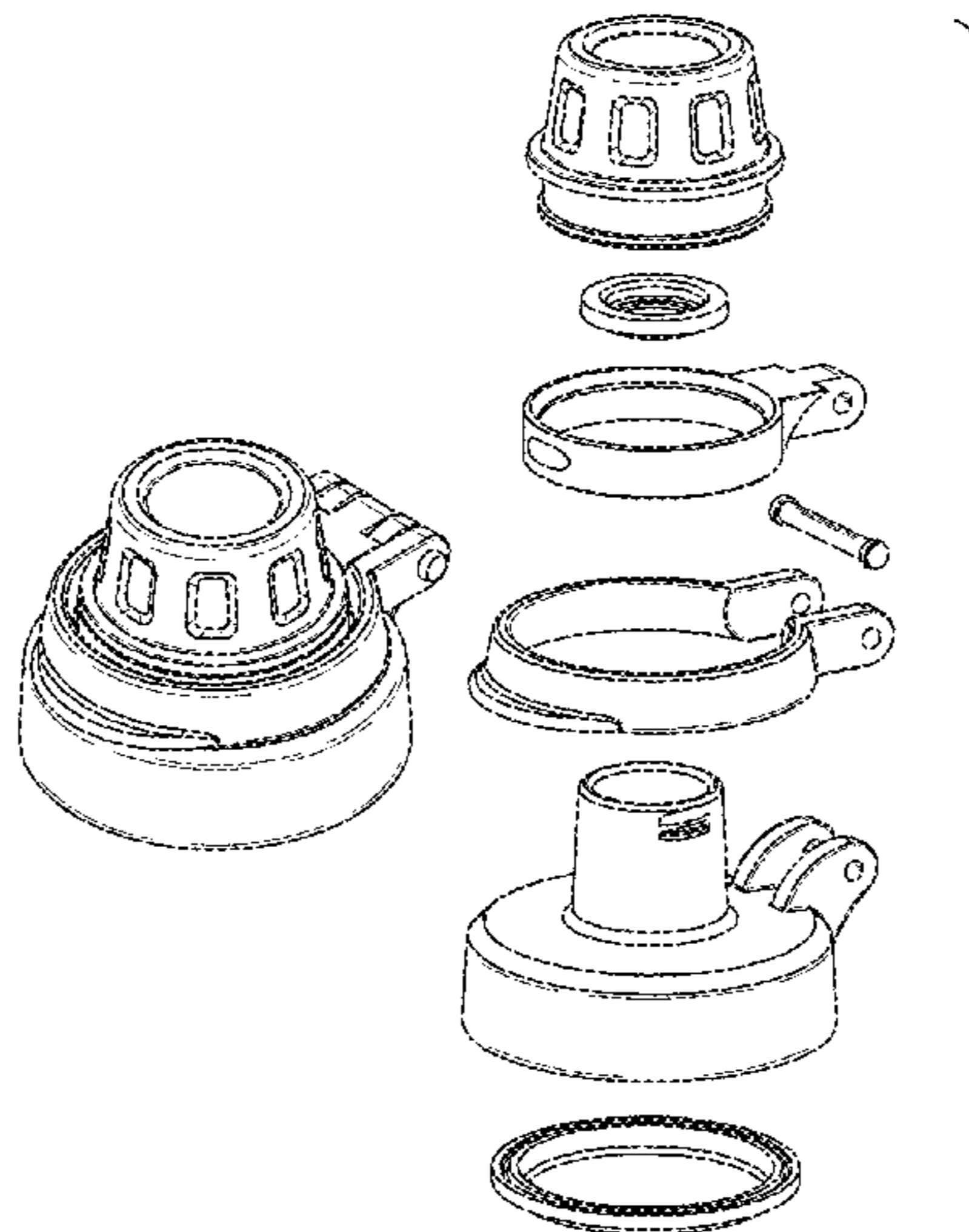
FIG. 24 is a front view thereof.

FIG. 25 is a back view thereof.

FIG. 26 is a left side view thereof; and,

FIG. 27 is a right side view thereof.

1 Claim, 8 Drawing Sheets



(58) **Field of Classification Search**

CPC B65D 41/00; B65D 41/38; B65D 41/56;
 B65D 41/62; B65D 47/00; B65D 23/00;
 B65D 51/1694; B65D 43/0212; B65D
 43/0208; B65D 2543/00046; B65D
 2543/00092; B65D 1/24; B65D 25/04;
 B65D 43/09; B65D 43/16; A61J 1/00;
 A61J 1/1412; A61J 1/02

See application file for complete search history.

(56) **References Cited**

U.S. PATENT DOCUMENTS

D719,780 S * 12/2014 Sullivan D7/392.1
 D748,943 S * 2/2016 Miller D7/392.1
 D792,216 S * 7/2017 Breit D9/443
 D801,111 S * 10/2017 Eyal D7/392.1
 D817,085 S * 5/2018 Davis D7/392.1
 D820,635 S * 6/2018 Hammer D7/392.1
 D824,721 S * 8/2018 Hu D7/392.1
 D847,563 S * 5/2019 Jacobsen D7/396.2
 D848,786 S * 5/2019 Bujalska D7/392.1
 D856,067 S * 8/2019 Barber D7/392.1
 D858,181 S * 9/2019 Lown D7/392.1

D862,977 S * 10/2019 Bohman D7/392
 D863,878 S * 10/2019 Cortadellas D7/396.2
 D867,811 S * 11/2019 Lane D7/392
 D870,509 S * 12/2019 Bo D7/392.1
 10,512,347 B1 * 12/2019 Shepard B65D 47/148
 D874,214 S * 2/2020 Breit D7/392
 D879,550 S * 3/2020 Lane D7/392
 D881,640 S * 4/2020 Nichols D7/392.1
 D882,335 S * 4/2020 Lane D7/396.2
 D886,518 S * 6/2020 Li D7/392.1
 D889,199 S * 7/2020 Shepard D7/396.2
 D892,547 S * 8/2020 Hung D7/396.2
 D894,669 S * 9/2020 Lane D7/392
 D894,670 S * 9/2020 Adams, Jr. D7/392.1
 D895,352 S * 9/2020 Yao D7/392.1
 D896,024 S * 9/2020 Wang D7/392.1
 D896,572 S * 9/2020 Nichols D7/392.1
 D896,573 S * 9/2020 Wu D7/392.1
 D898,507 S * 10/2020 Ekblom D7/392.1
 D899,181 S * 10/2020 Xie D7/392.1
 D903,404 S * 12/2020 Bram D7/392.1
 D903,406 S * 12/2020 McCabe D7/392.1
 D903,407 S * 12/2020 McCabe D7/392.1
 2008/0054028 A1 * 3/2008 Brannon B65D 47/06
 222/547

* cited by examiner

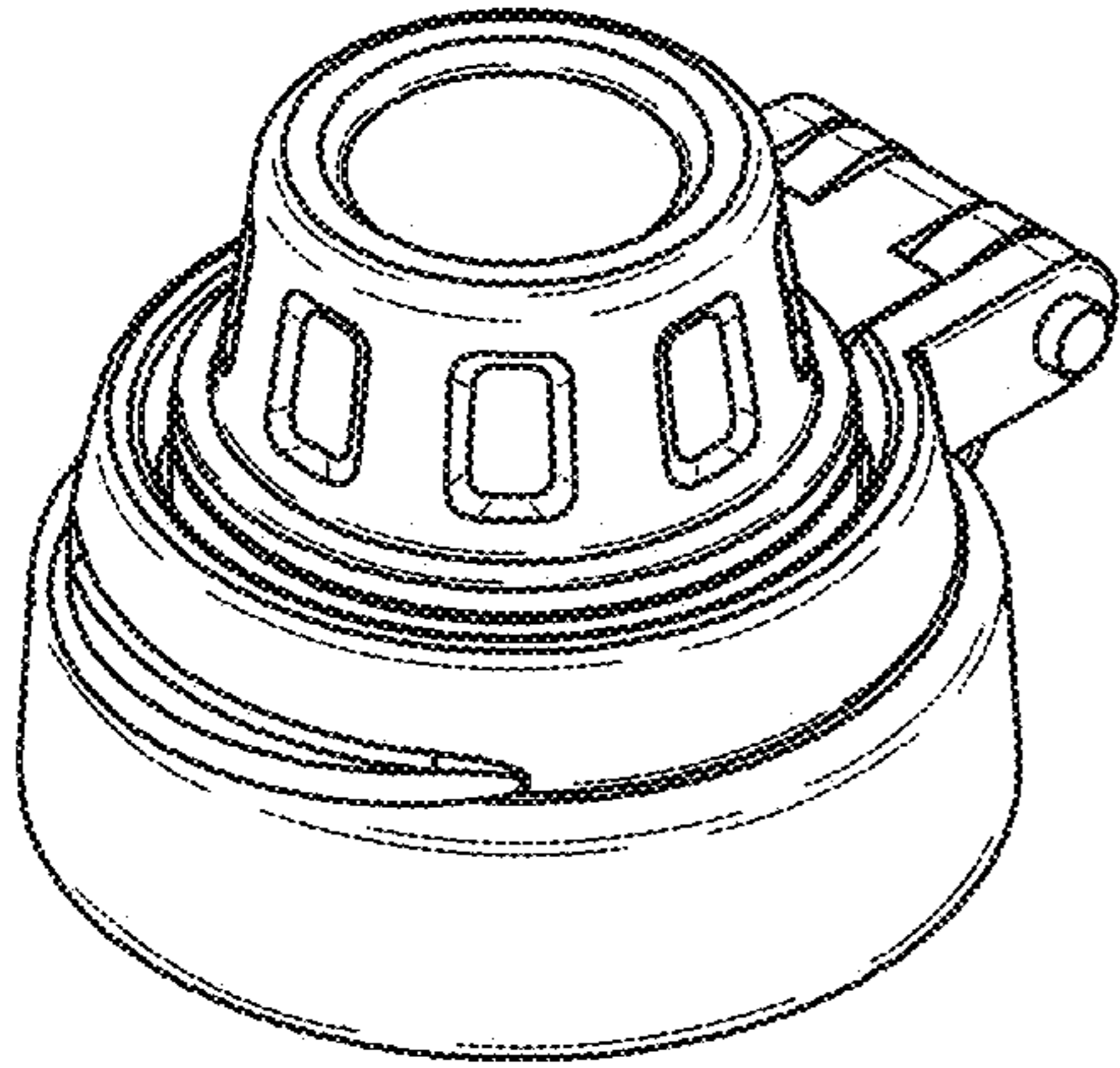


FIG. 1

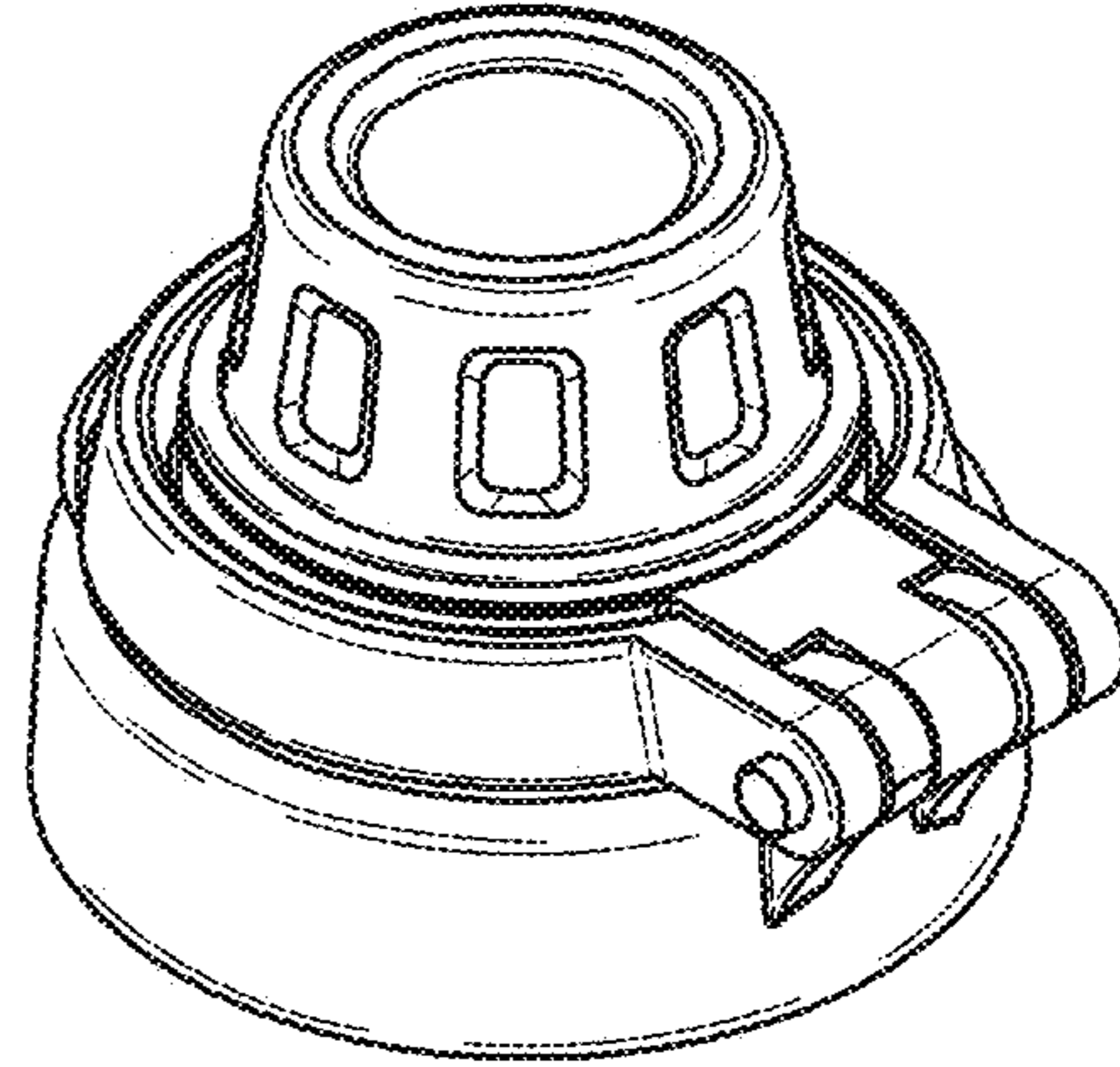


FIG. 2

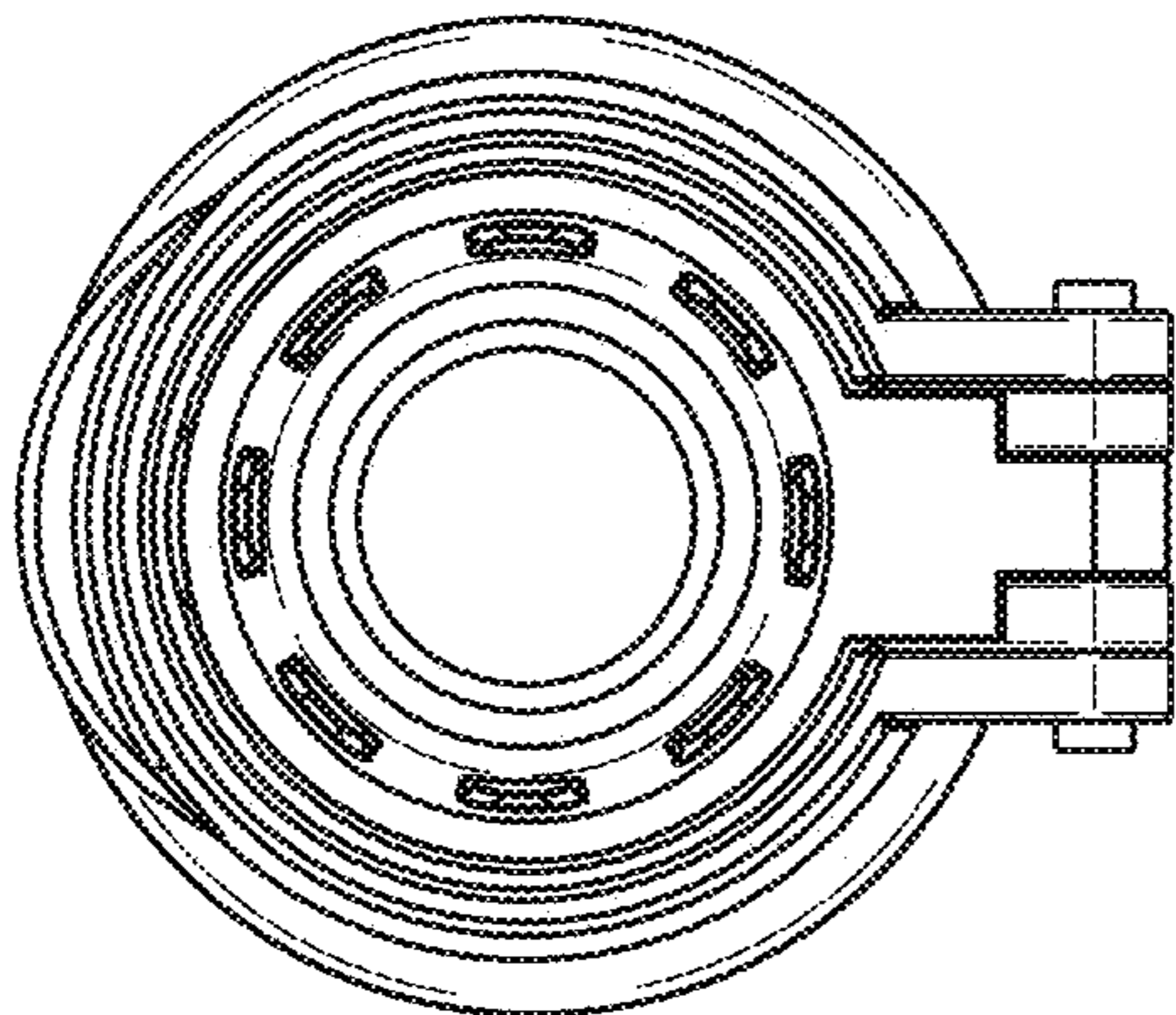


FIG. 3

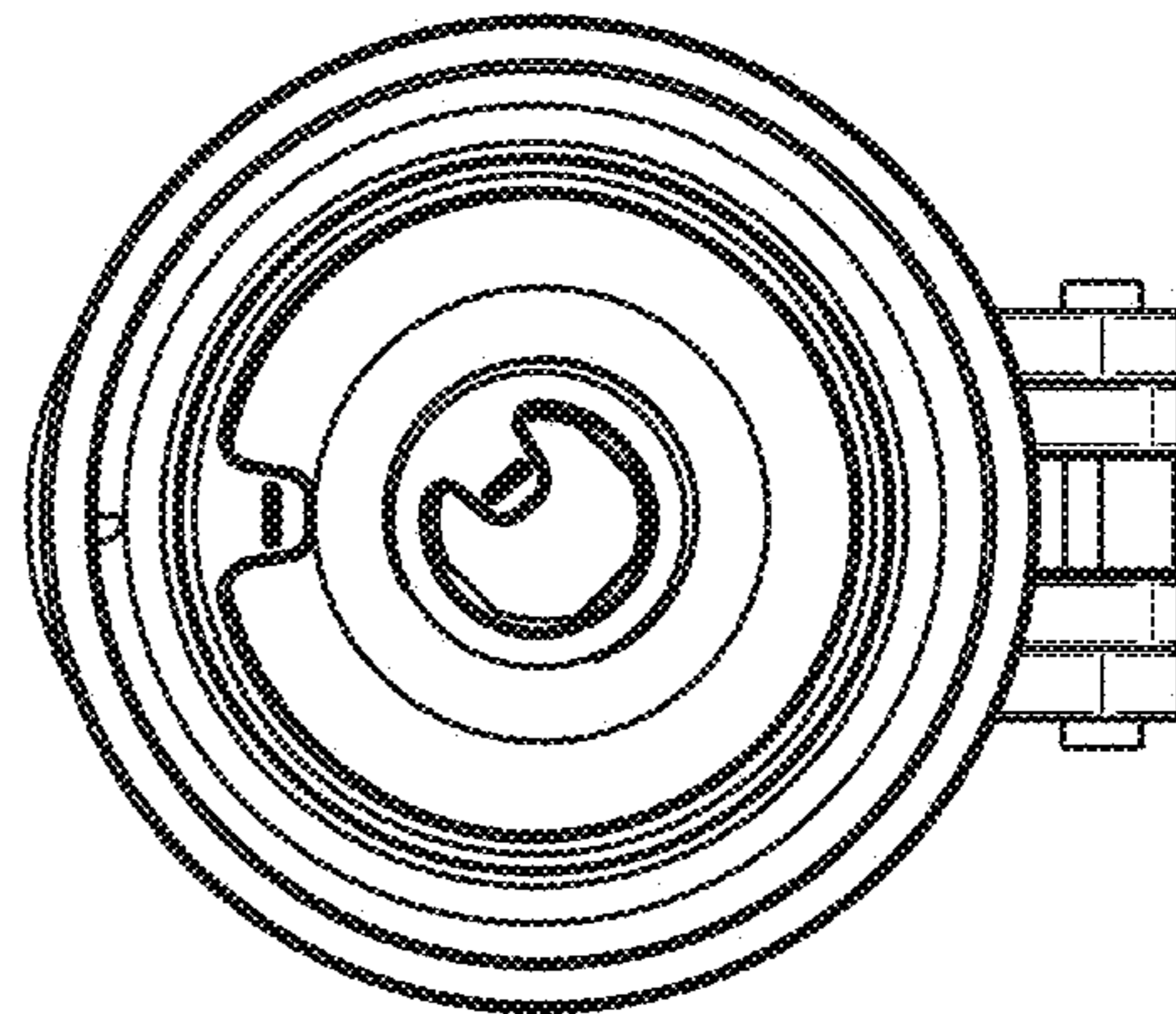


FIG. 4

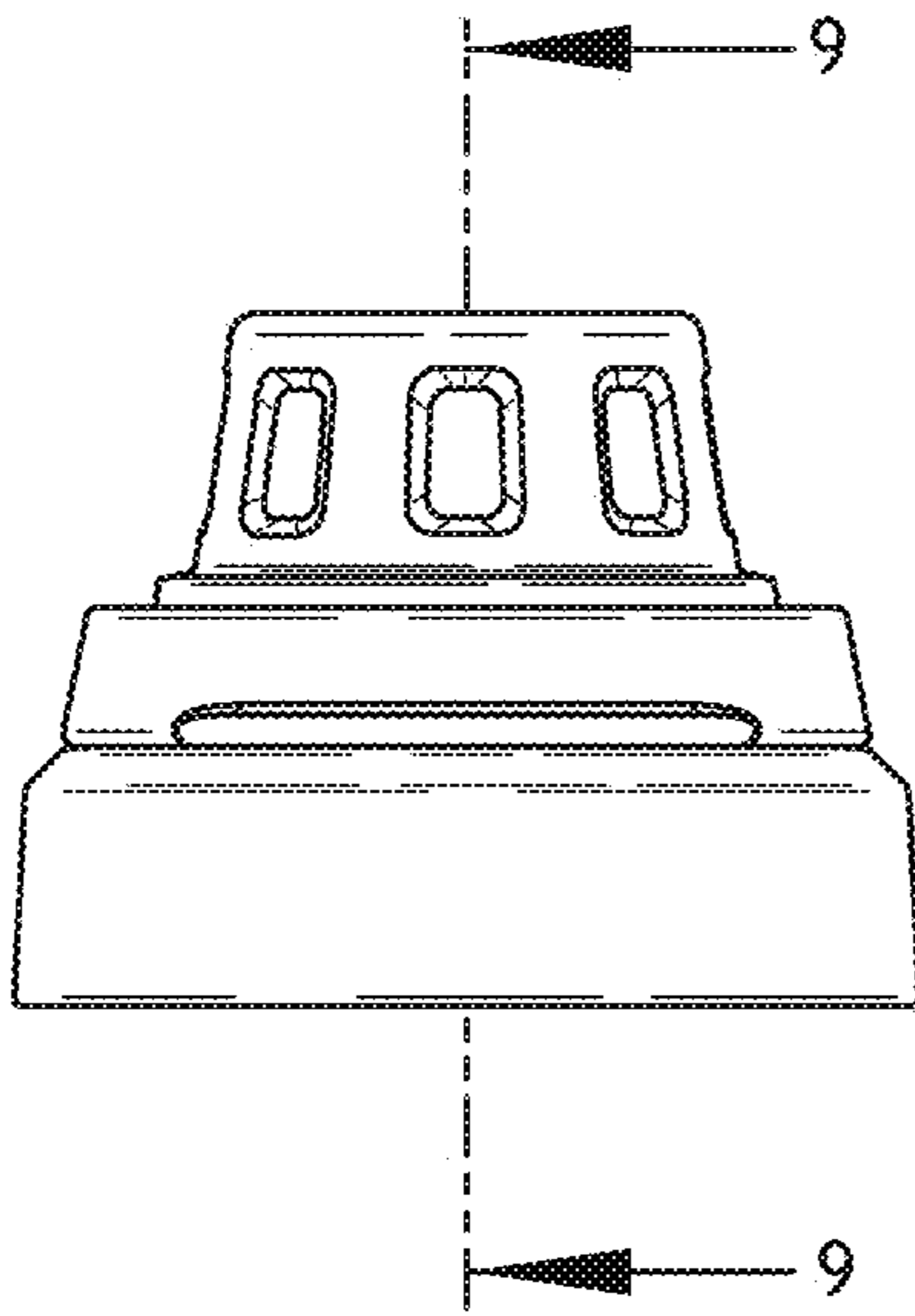


FIG. 5

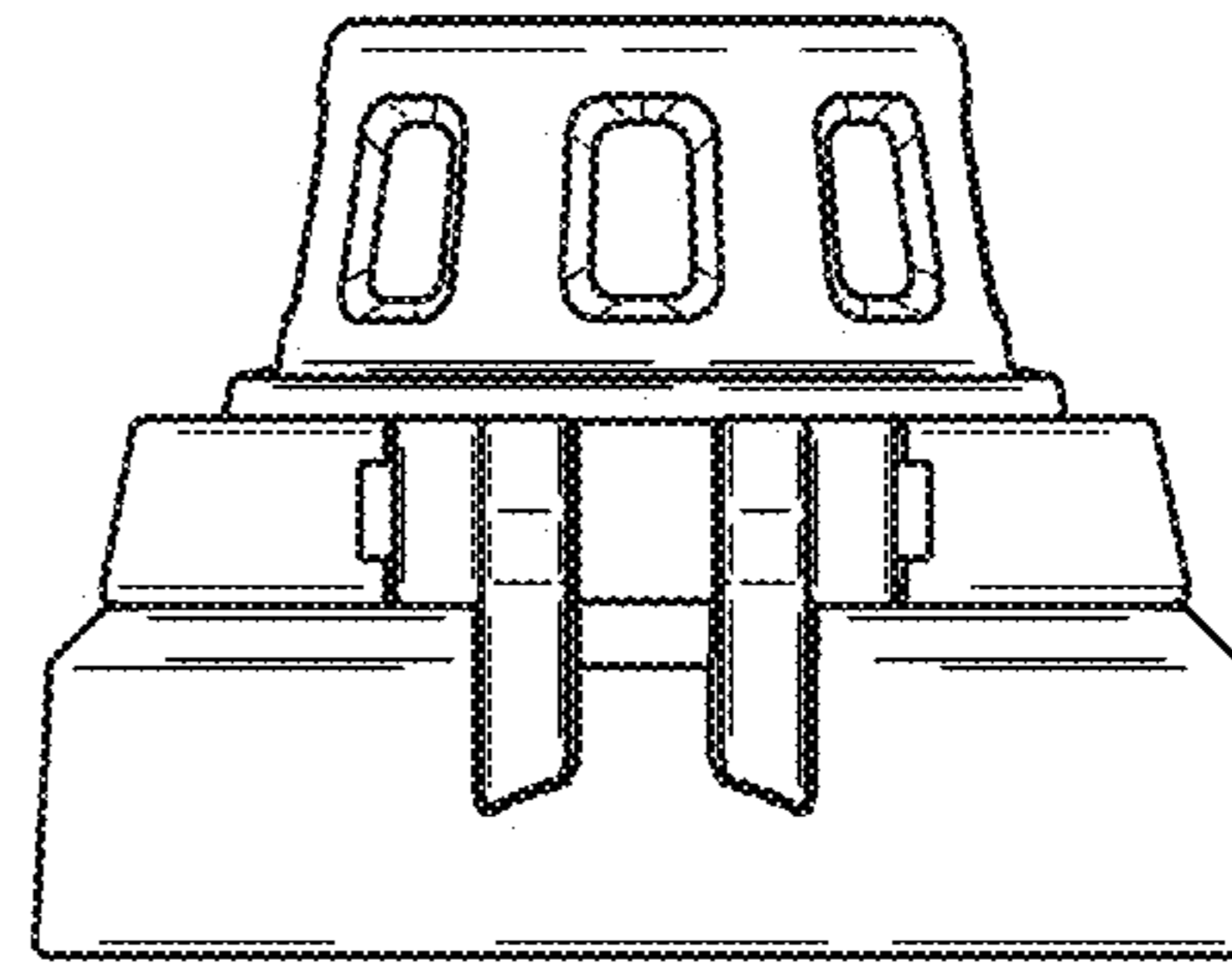


FIG. 6

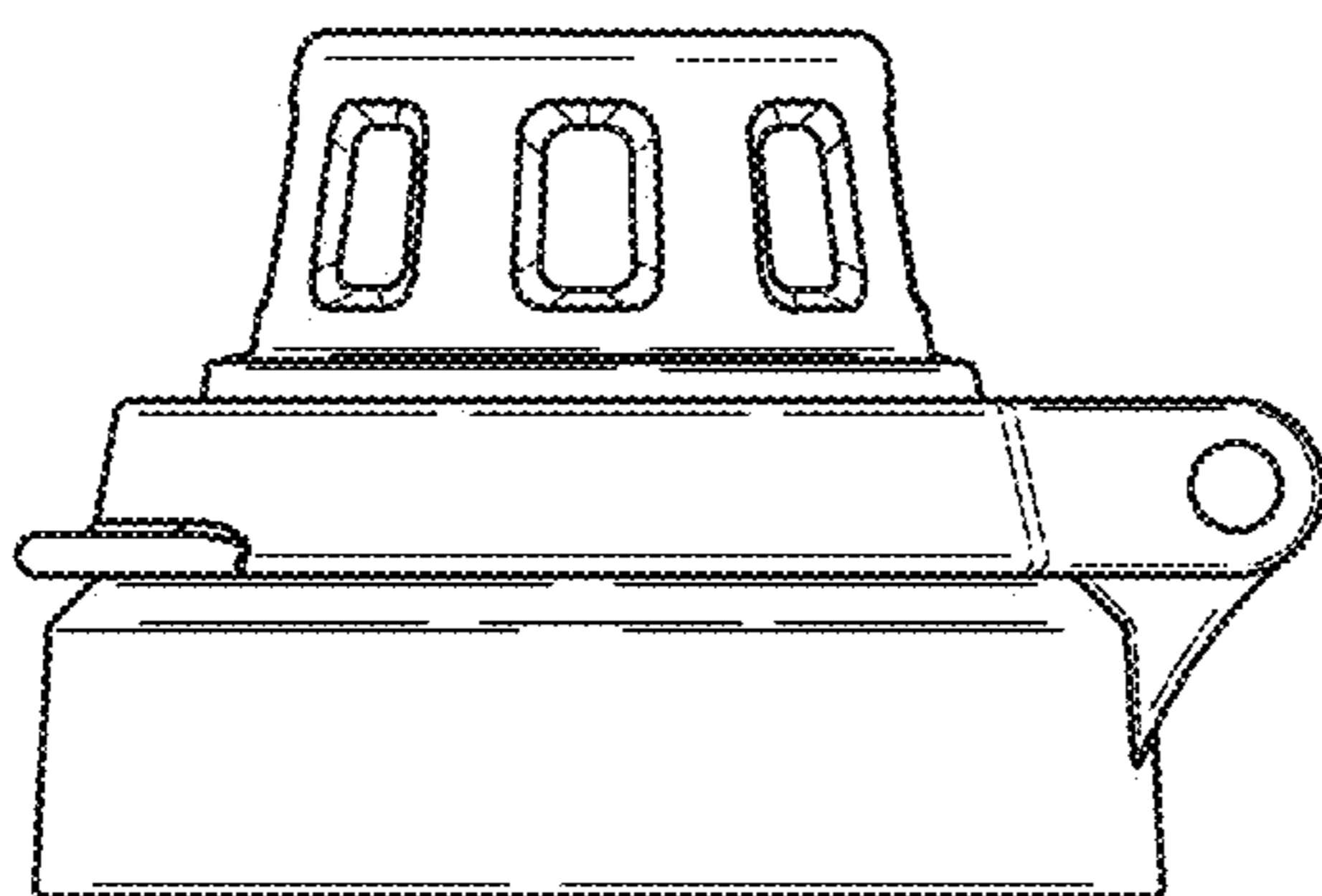


FIG. 7

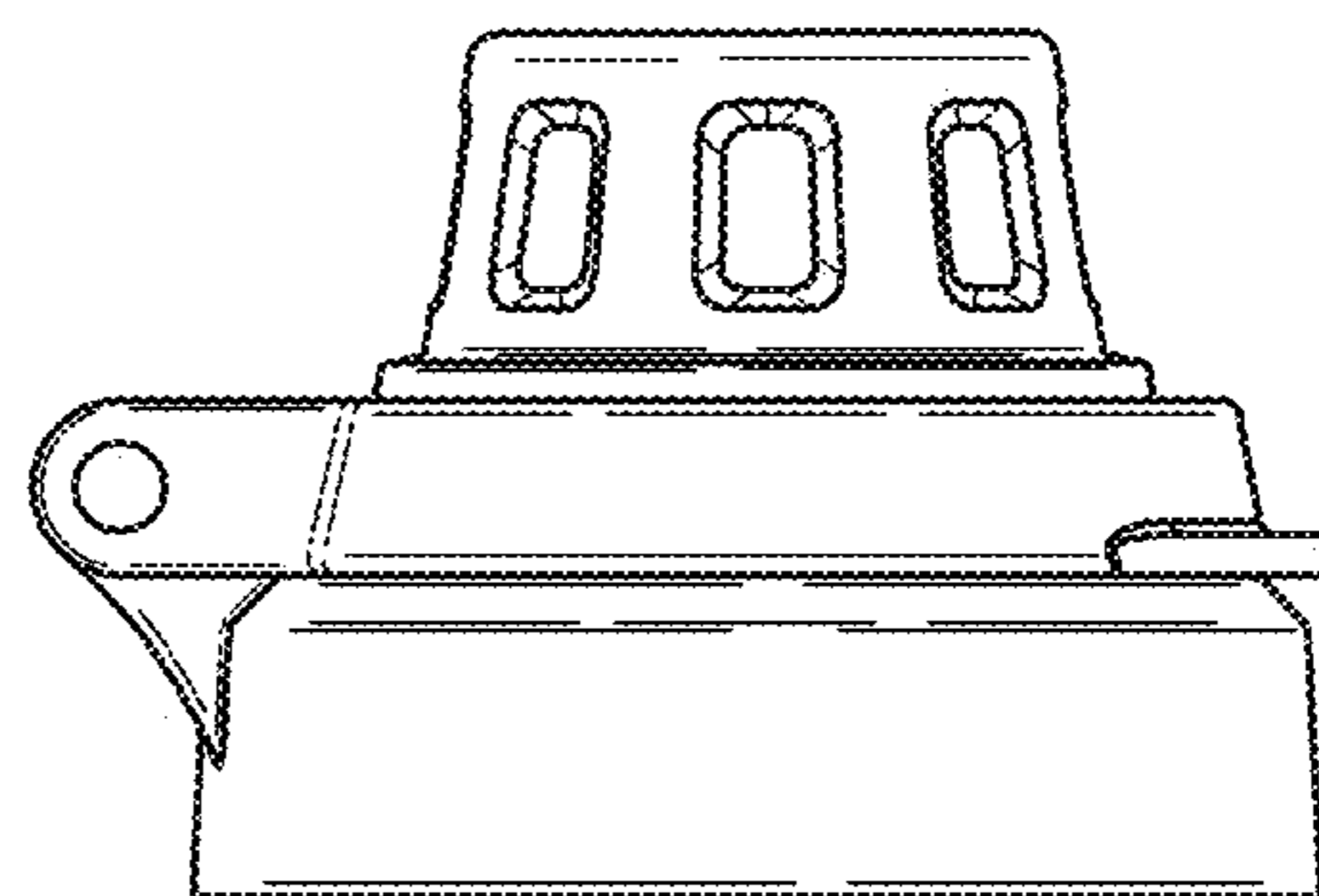


FIG. 8

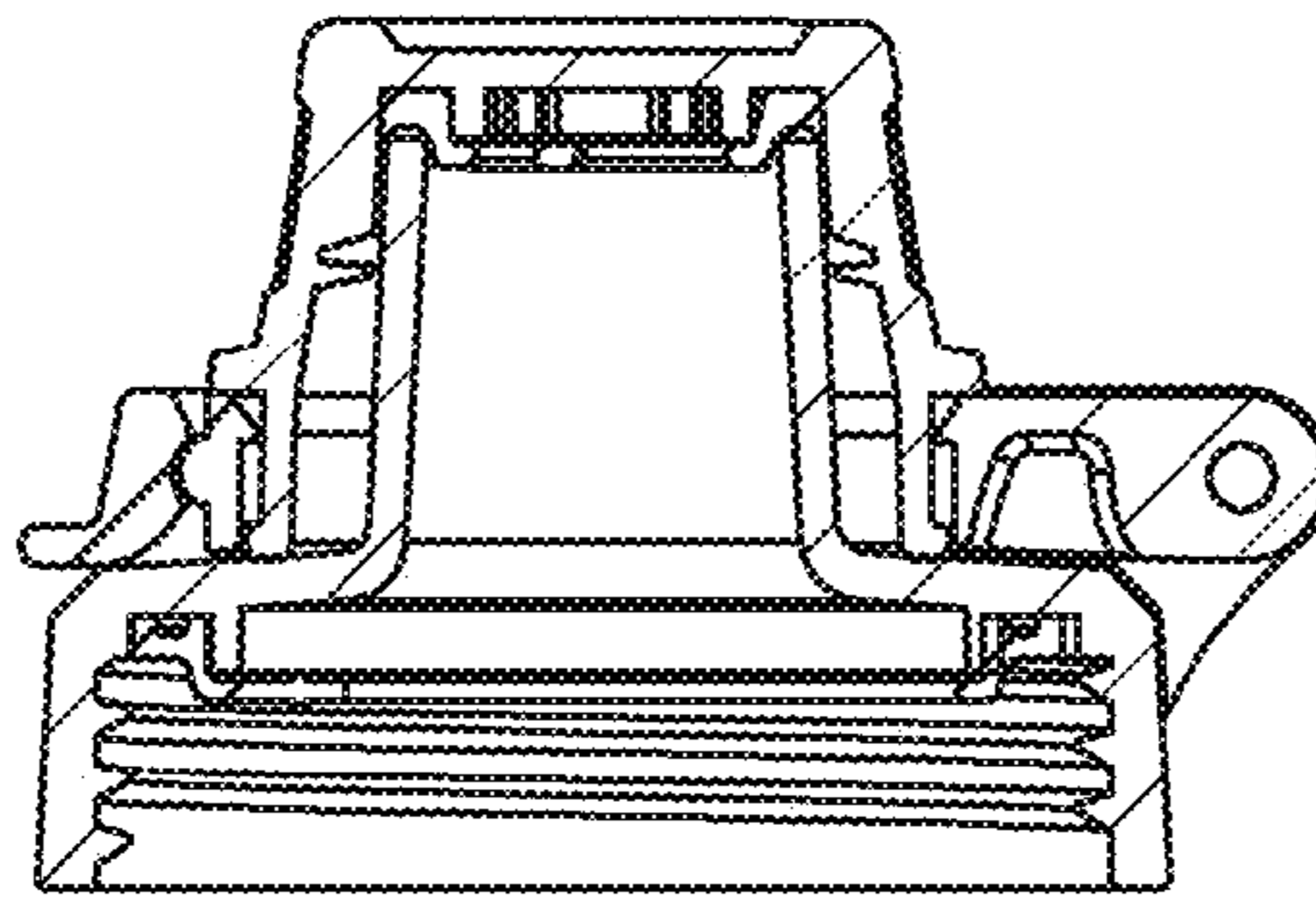


FIG. 9

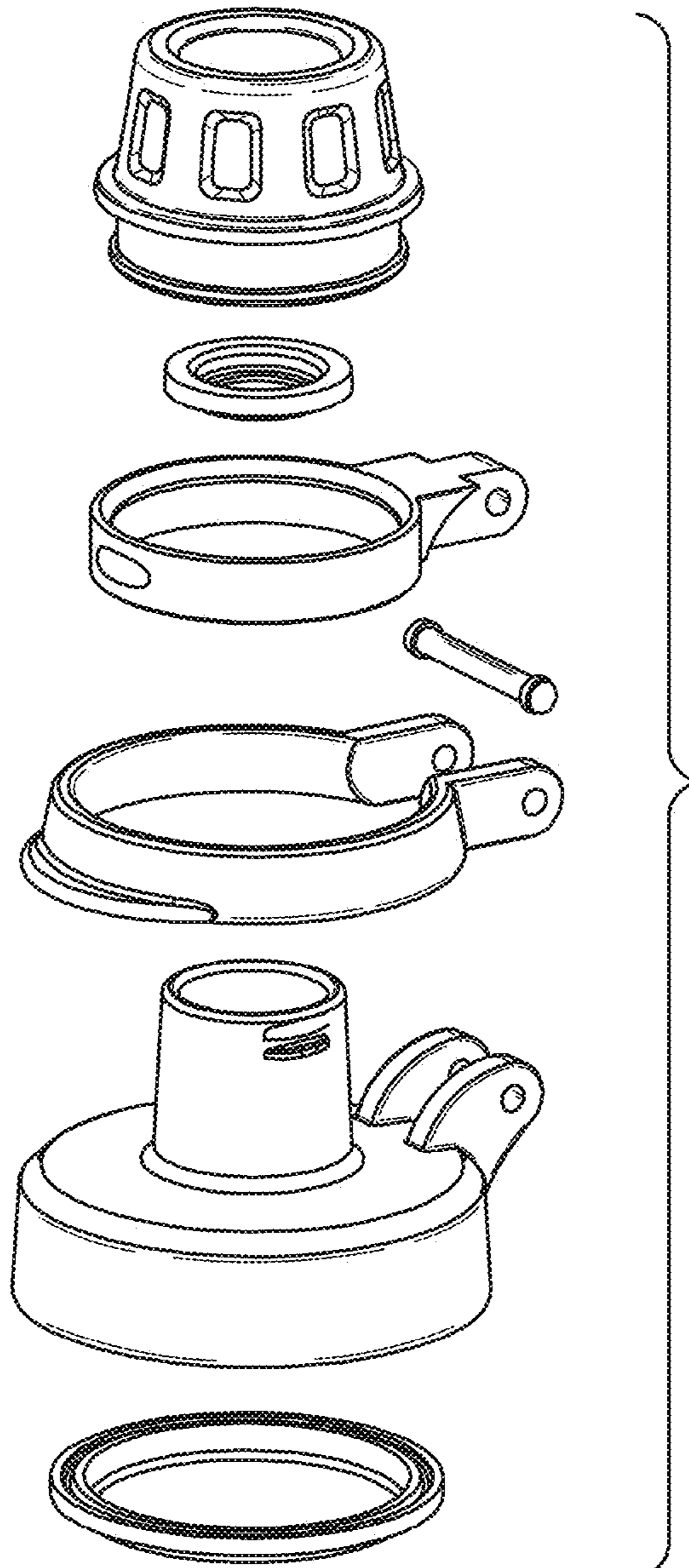


FIG. 10

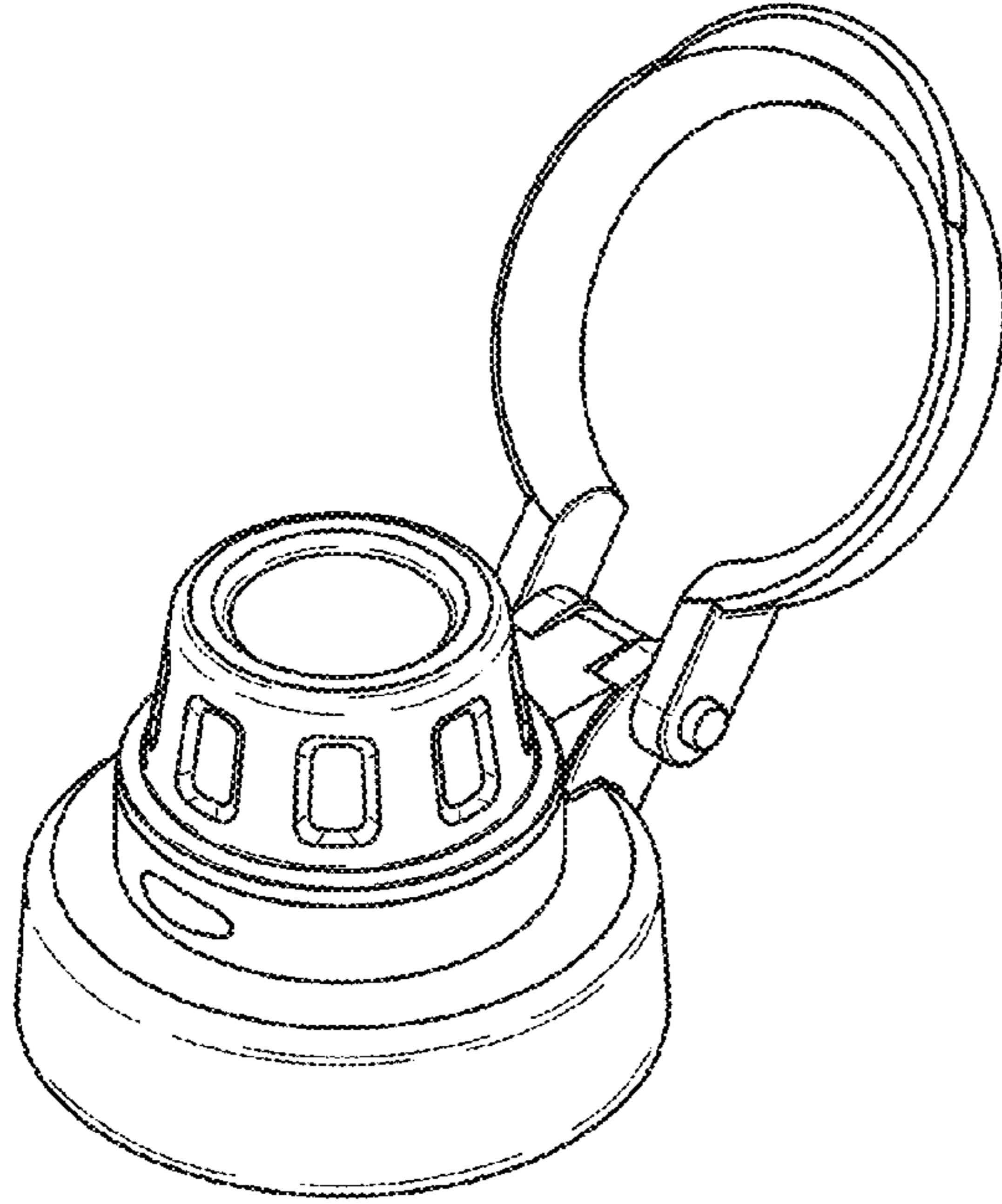


FIG. 11

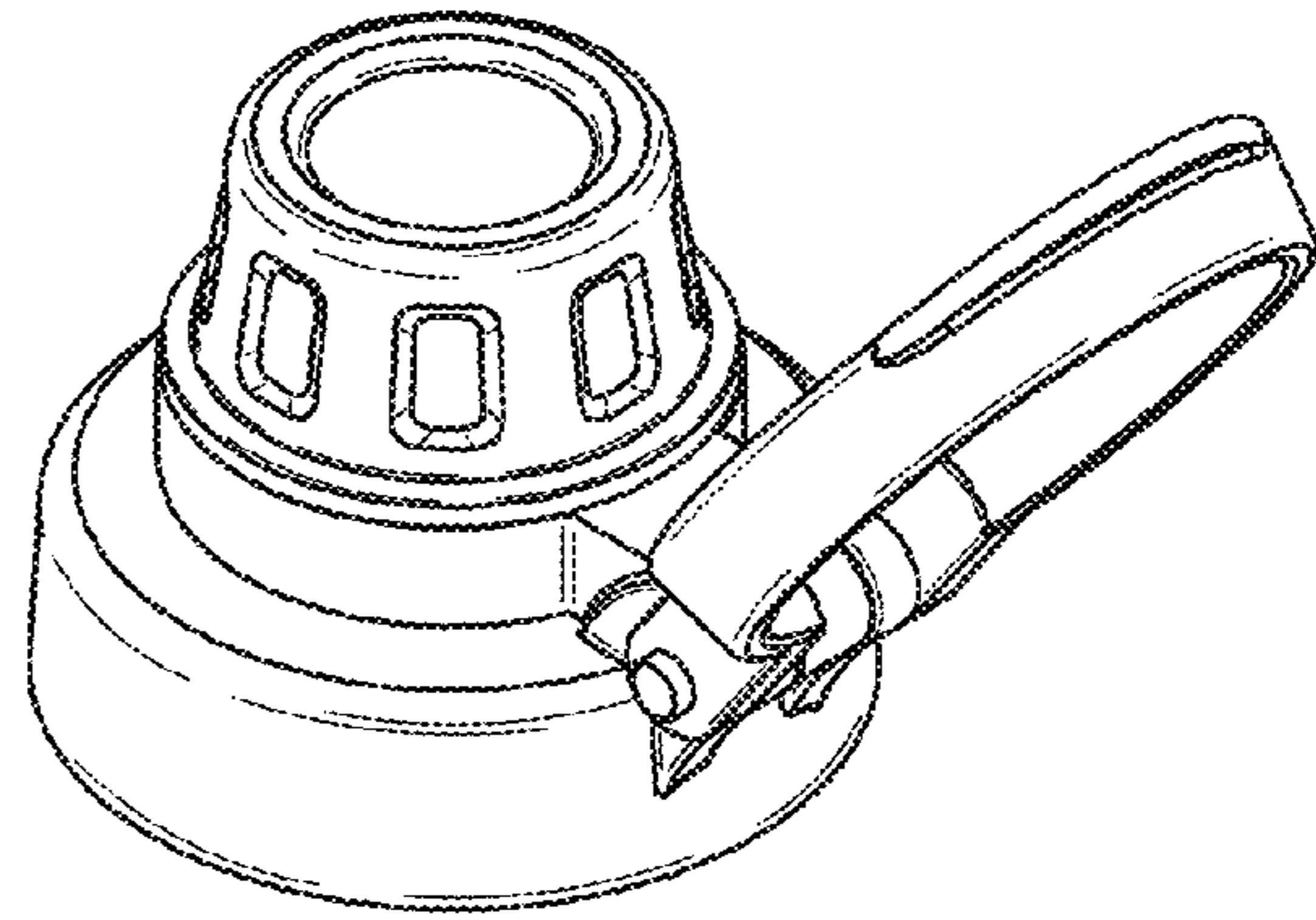


FIG. 12

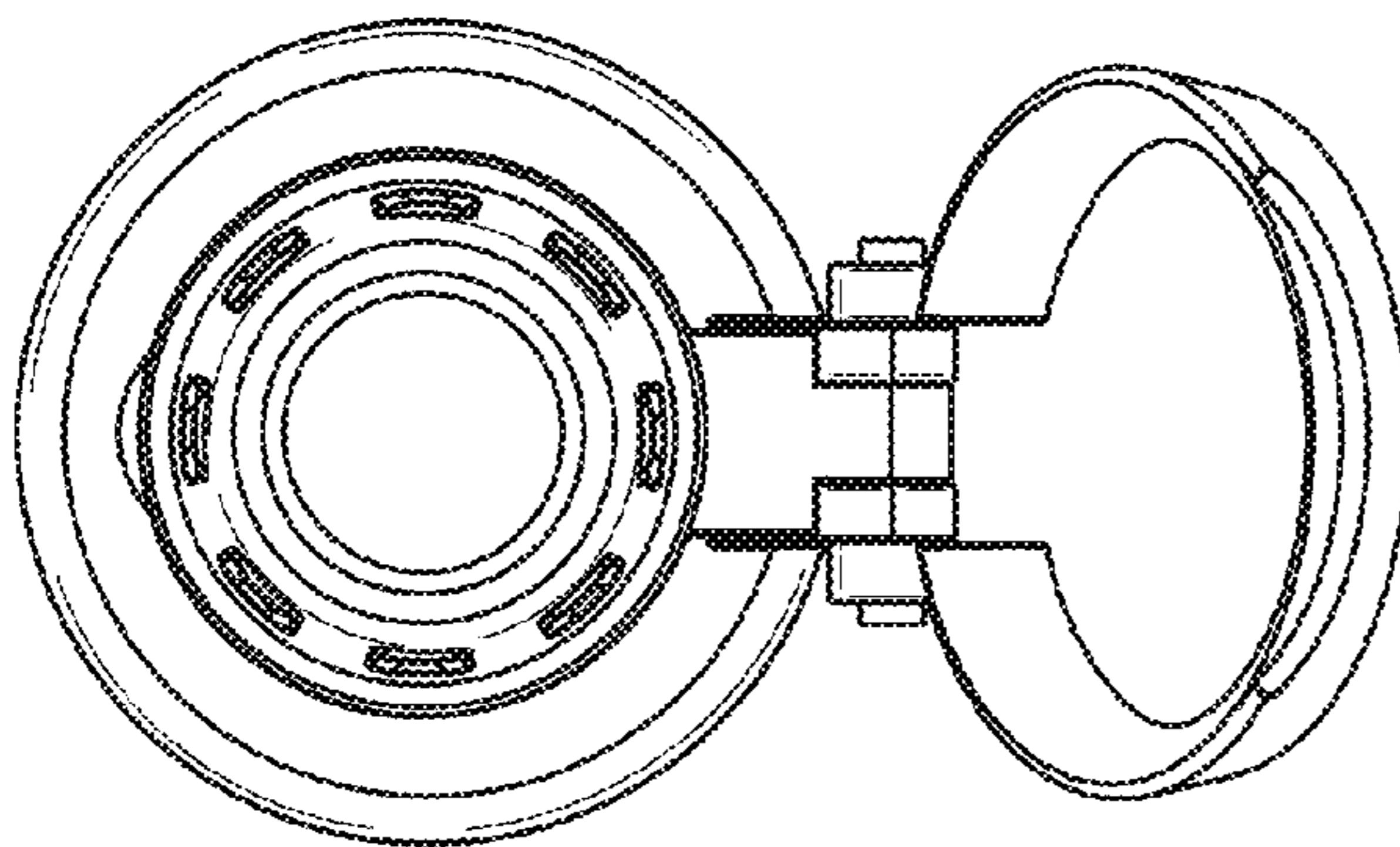


FIG. 13

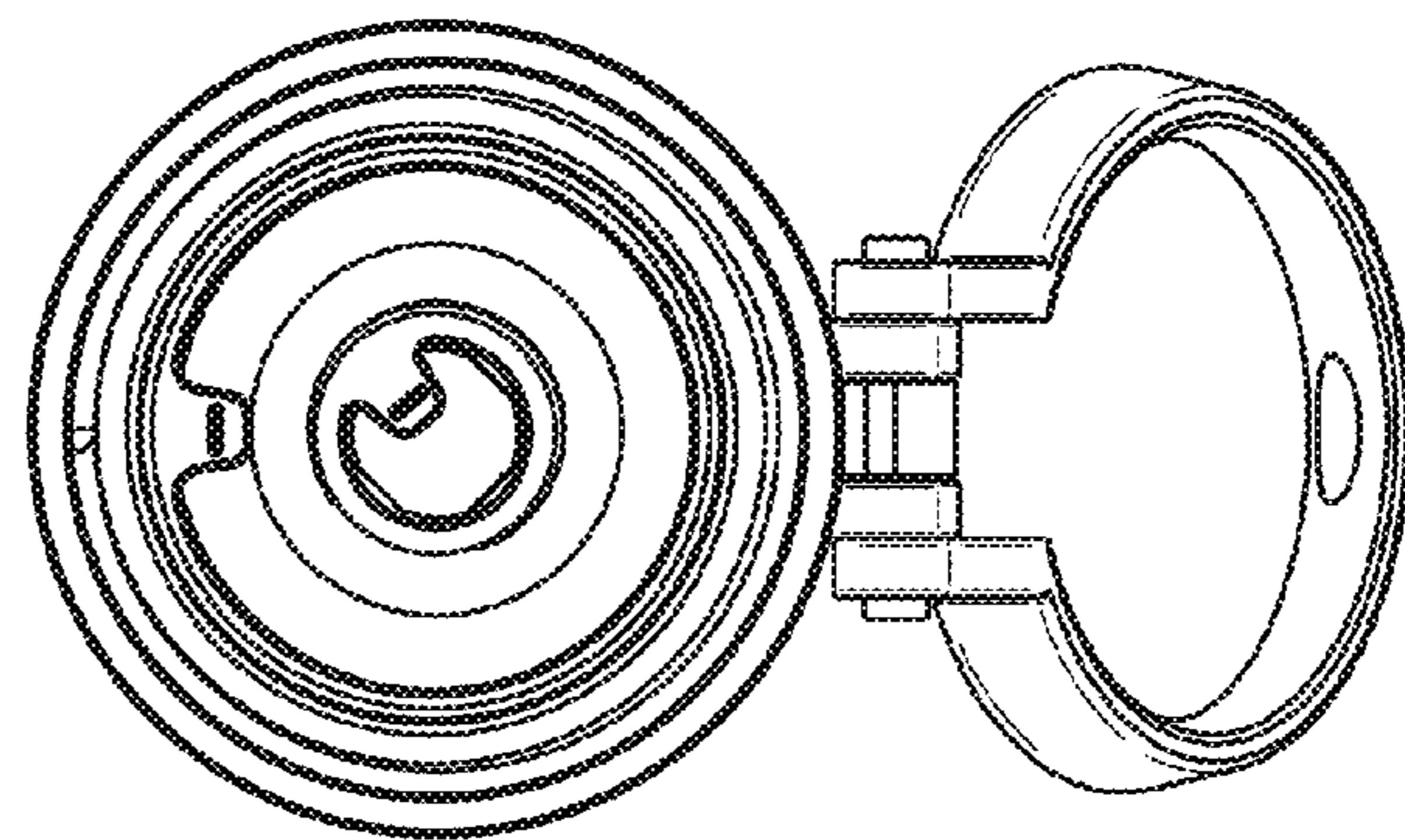


FIG. 14

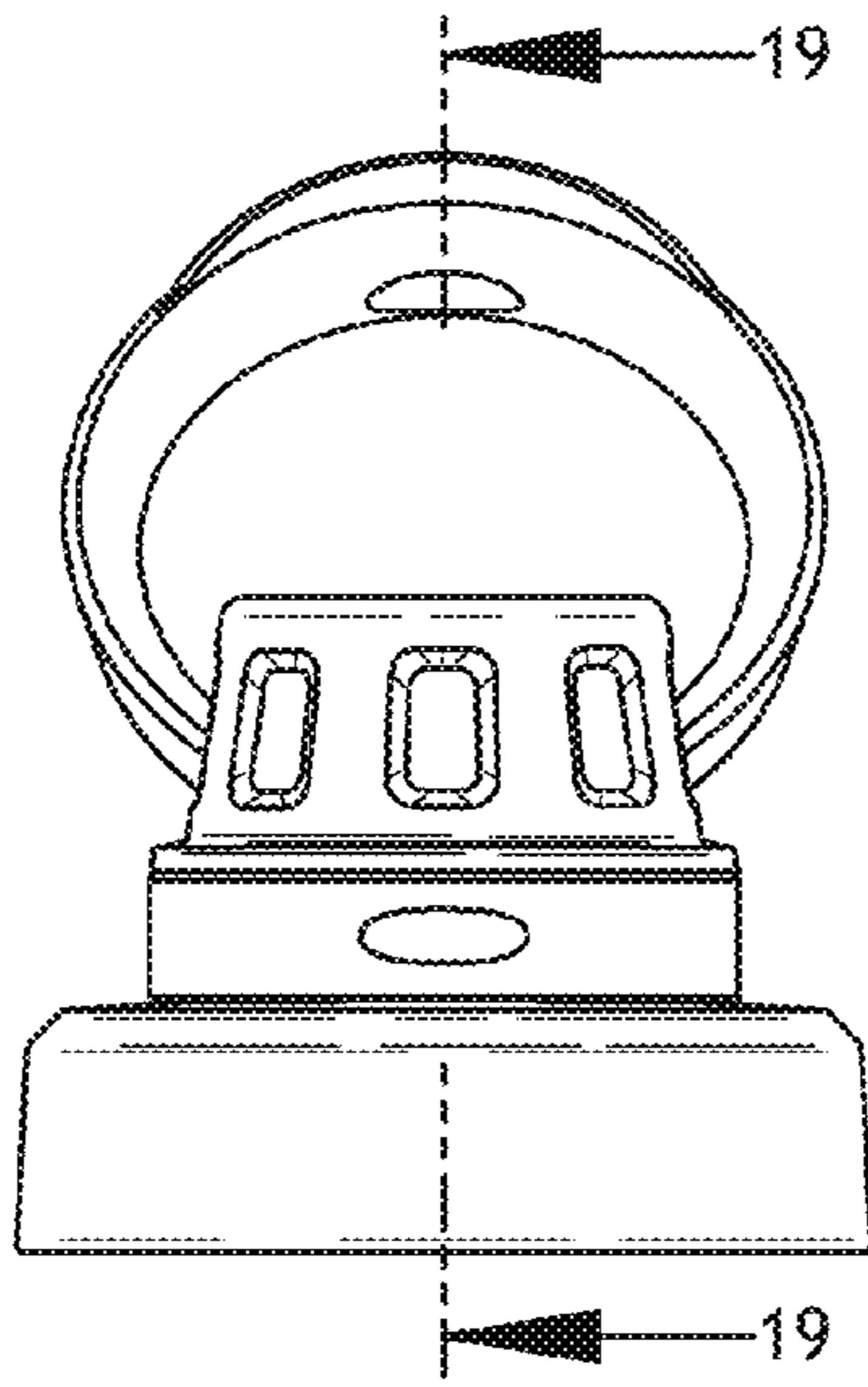


FIG. 15

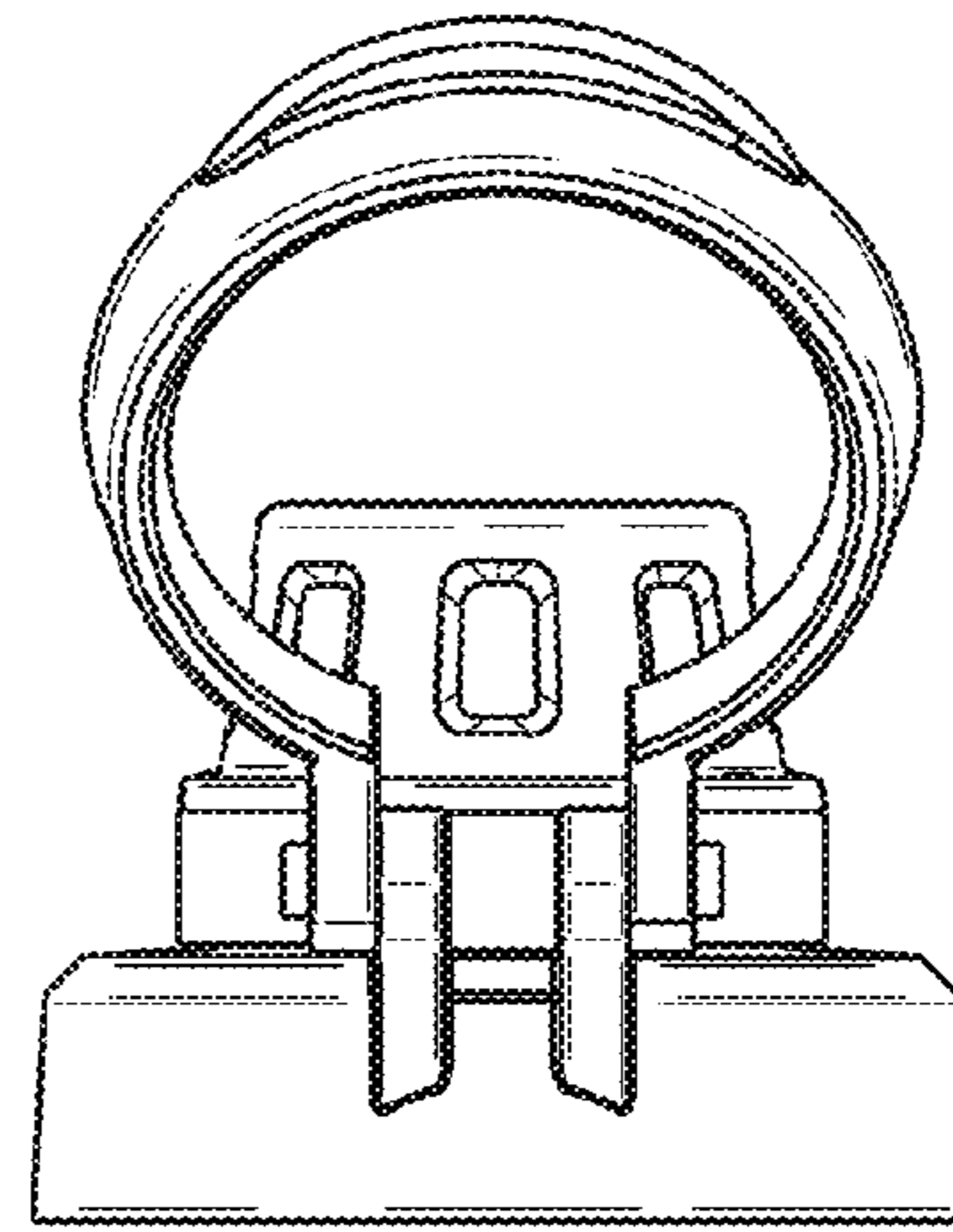


FIG. 16

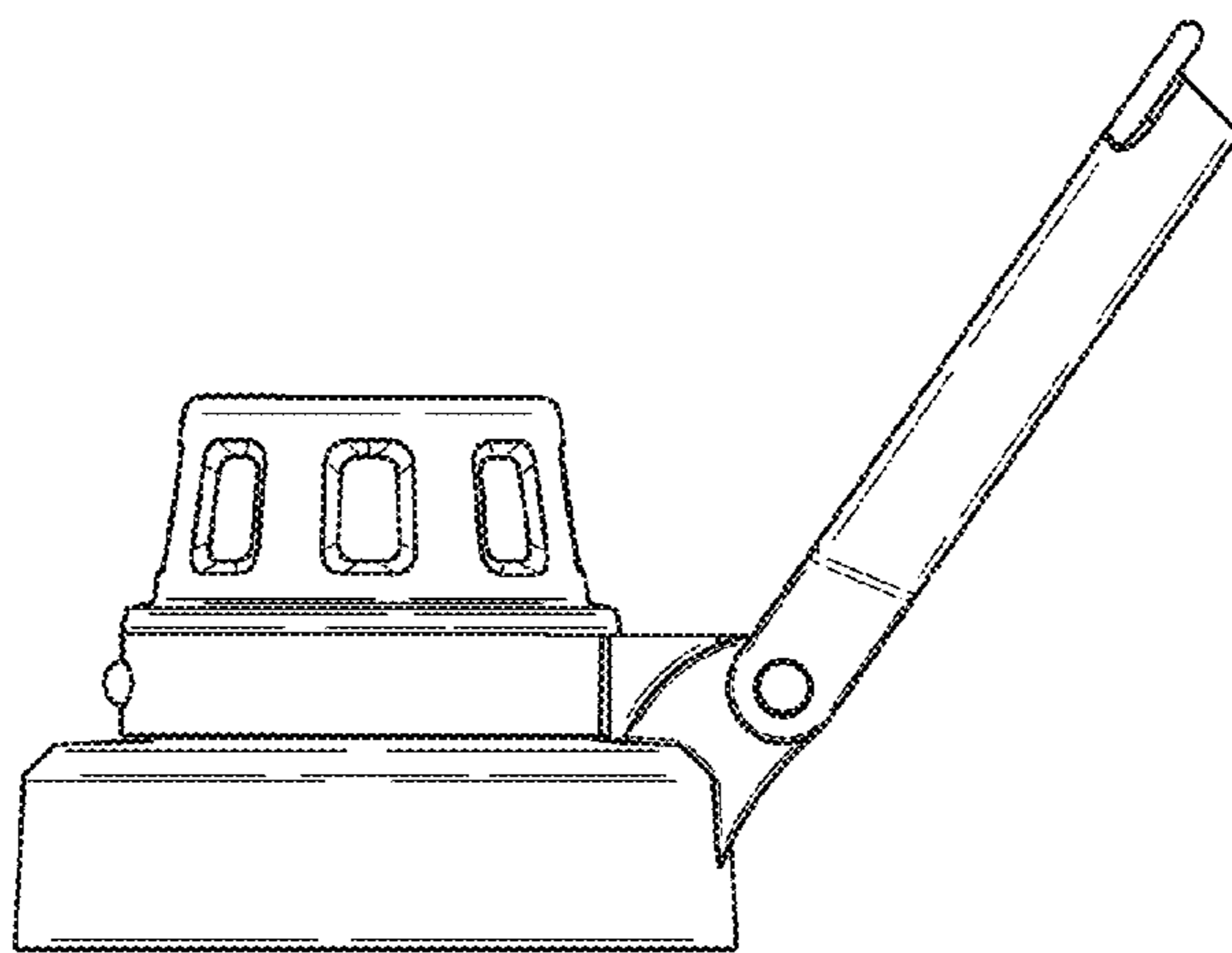


FIG. 17

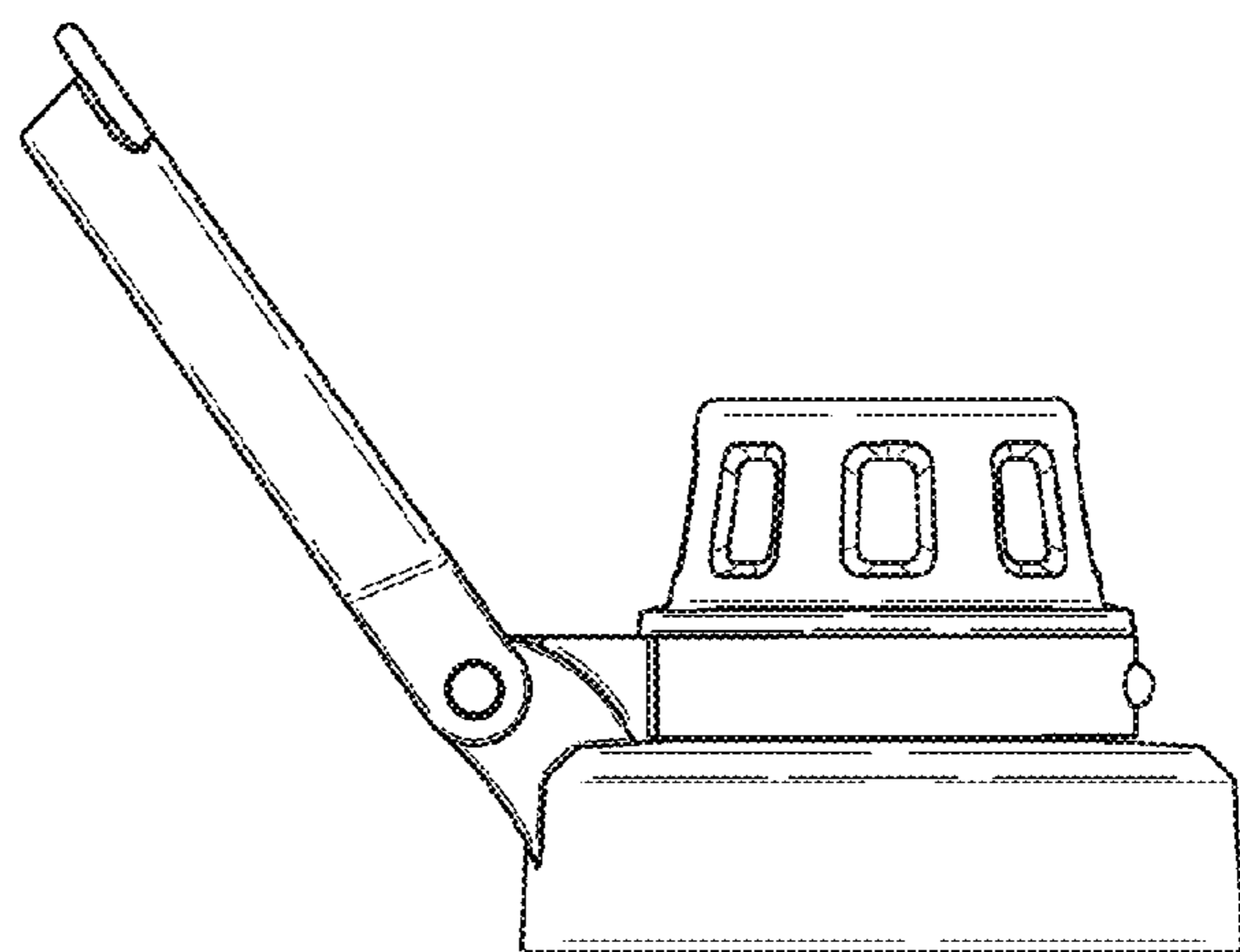


FIG. 18

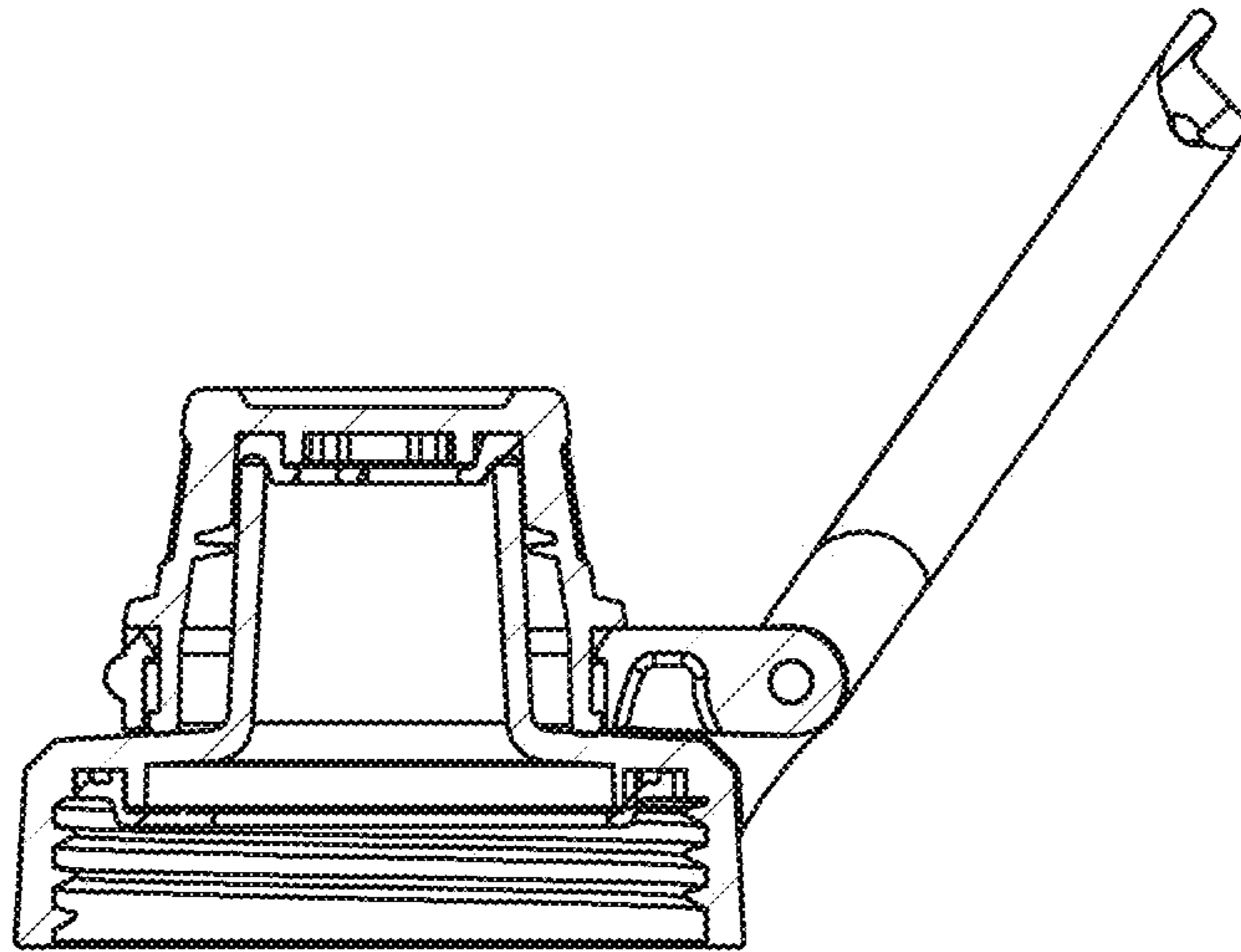


FIG. 19

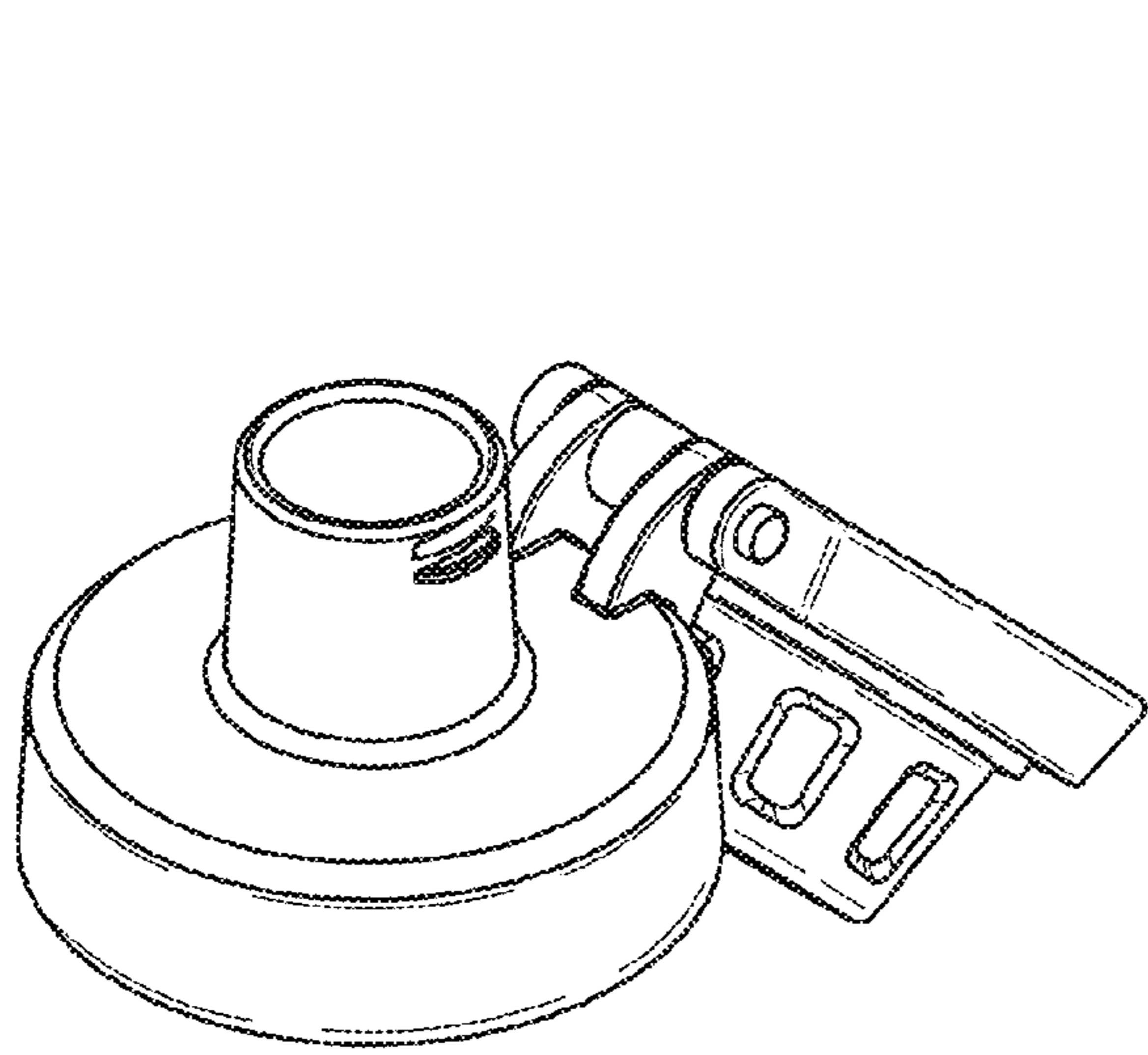


FIG. 20

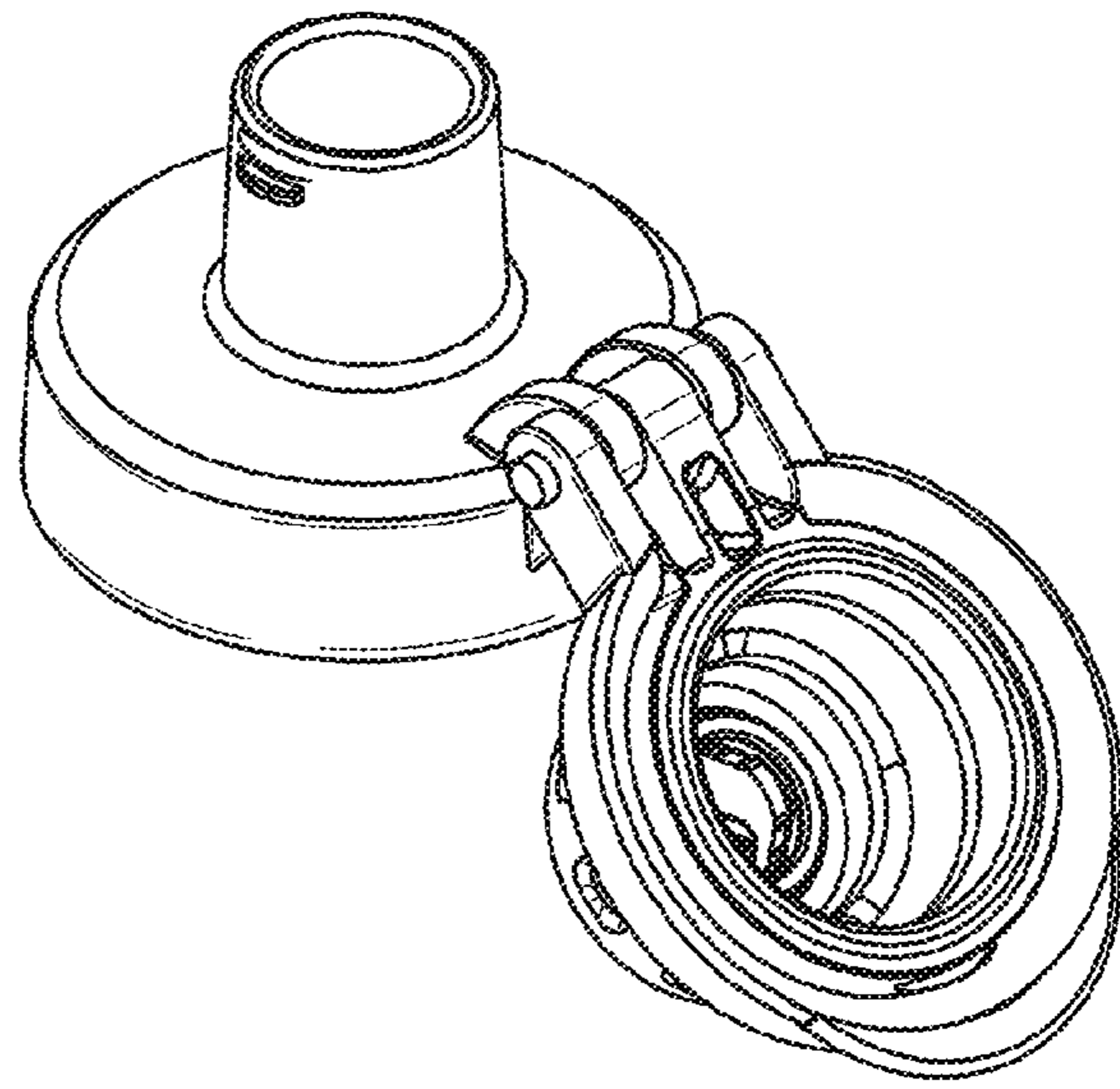


FIG. 21

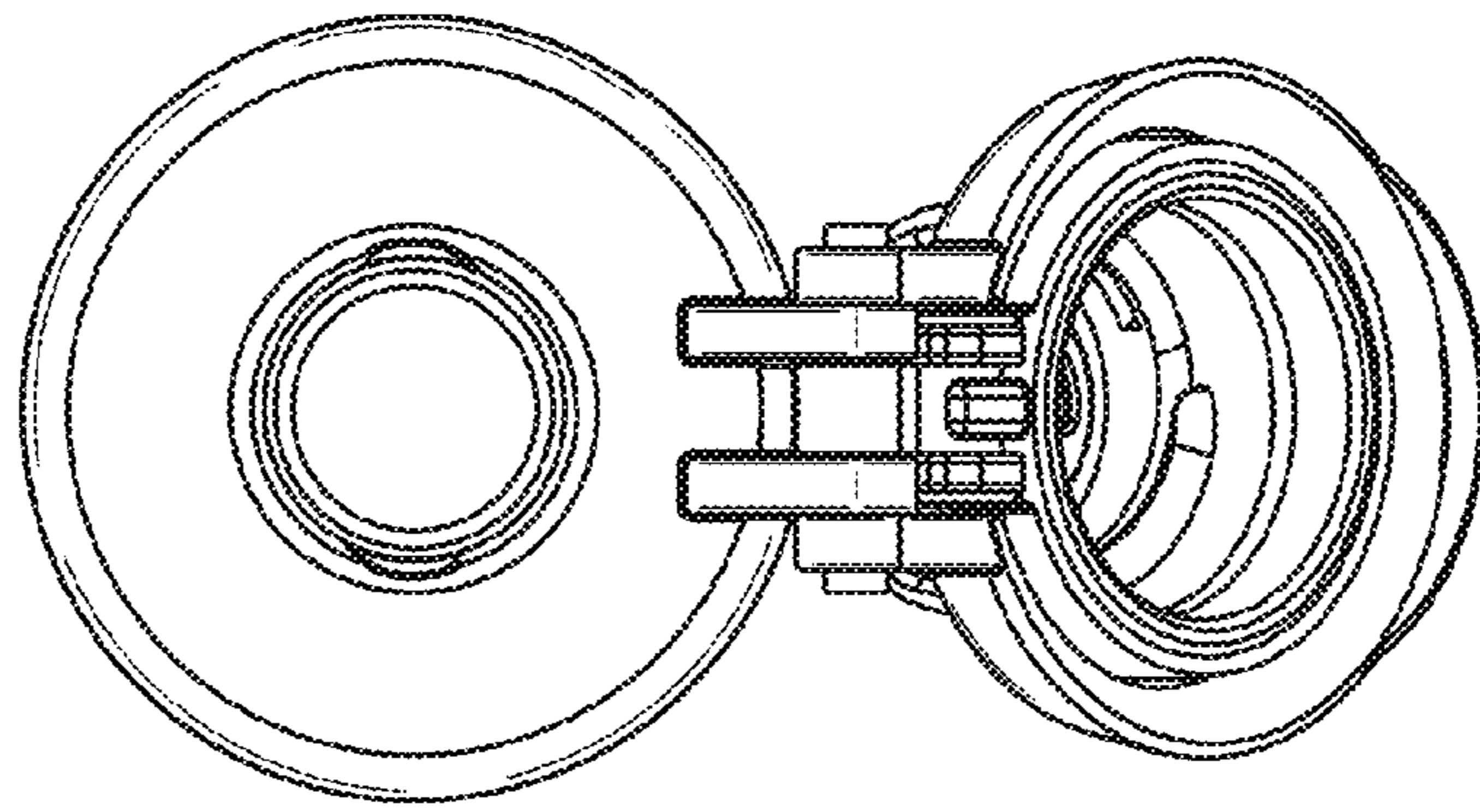


FIG. 22

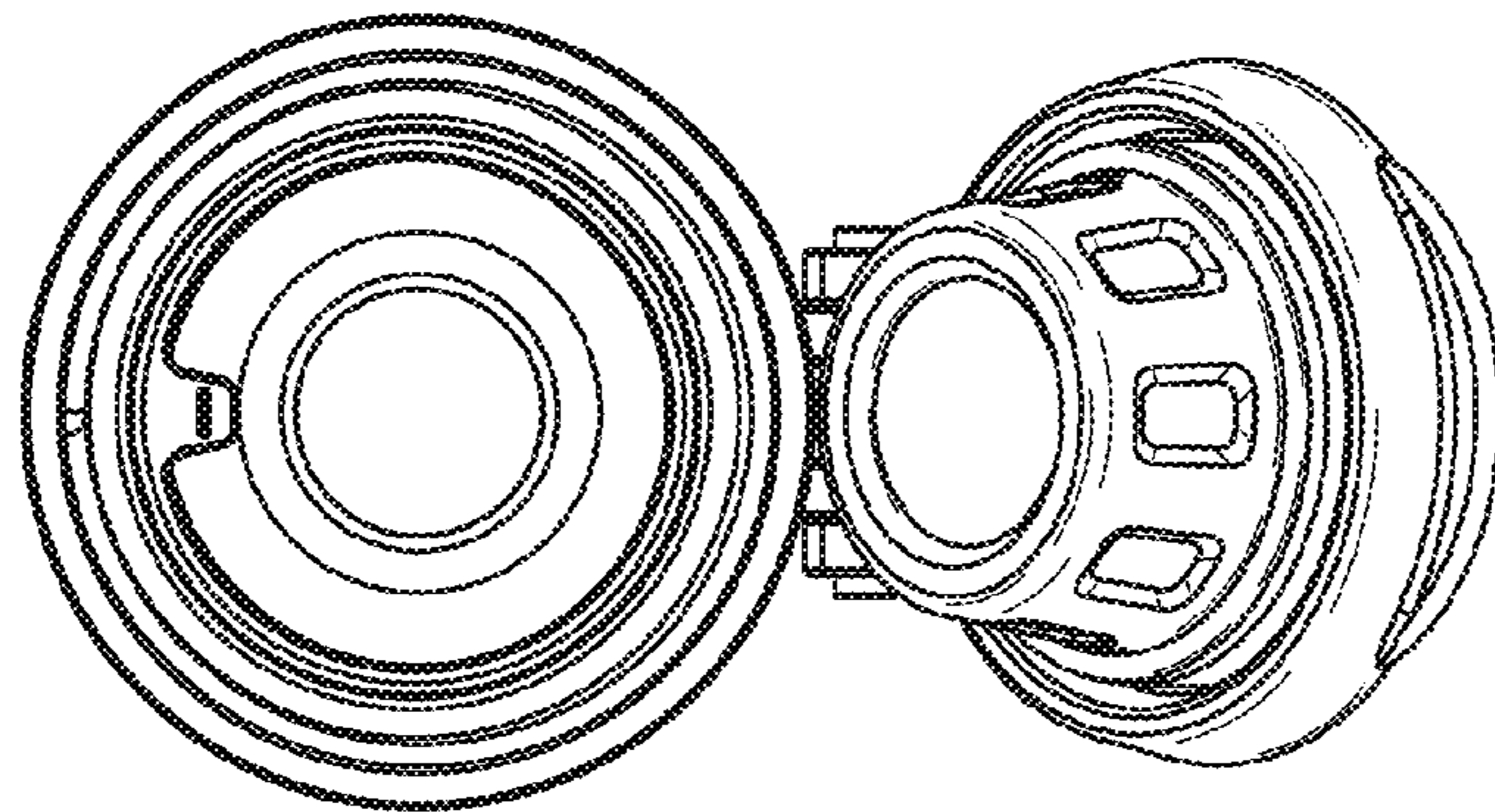


FIG. 23

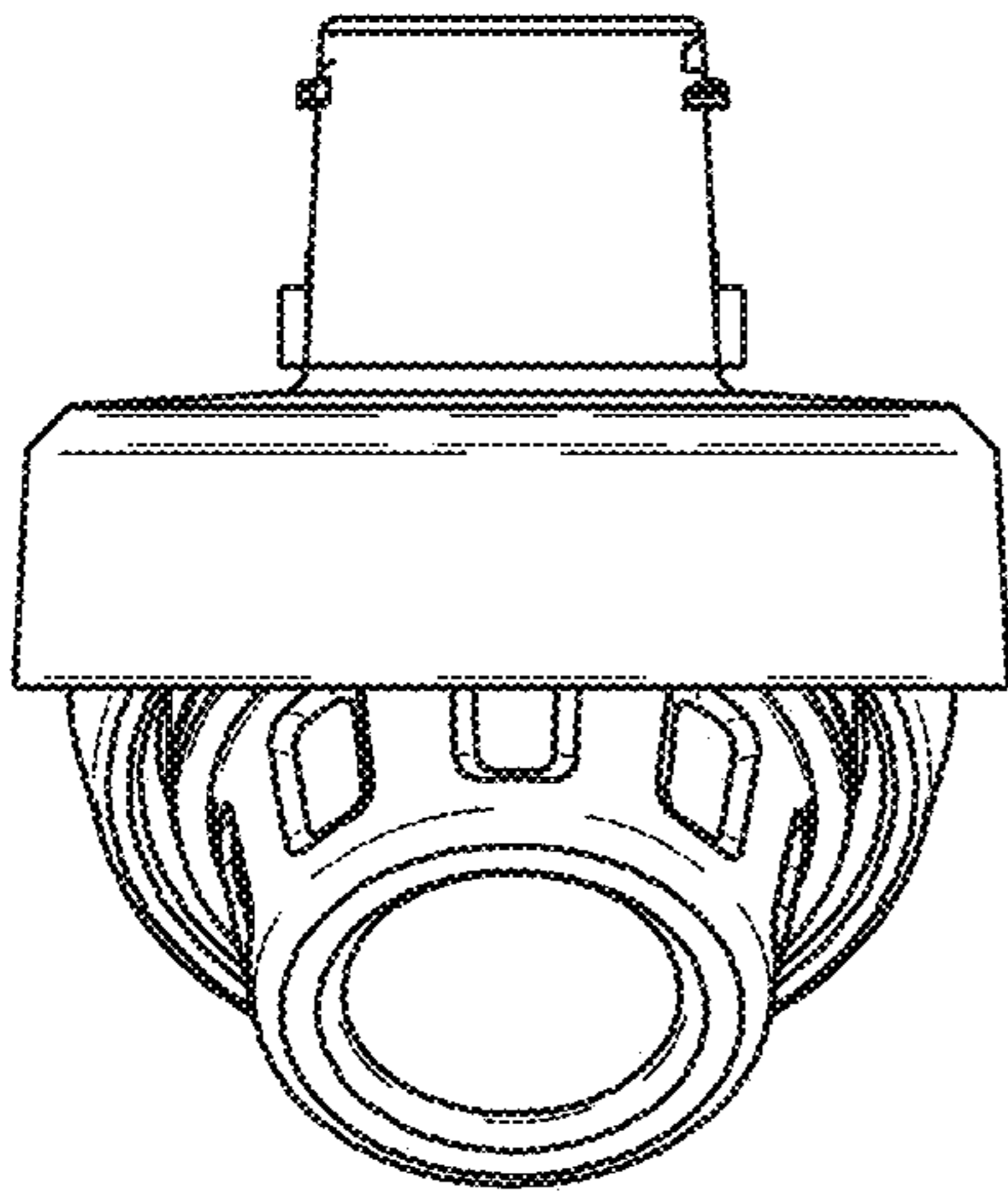


FIG. 24

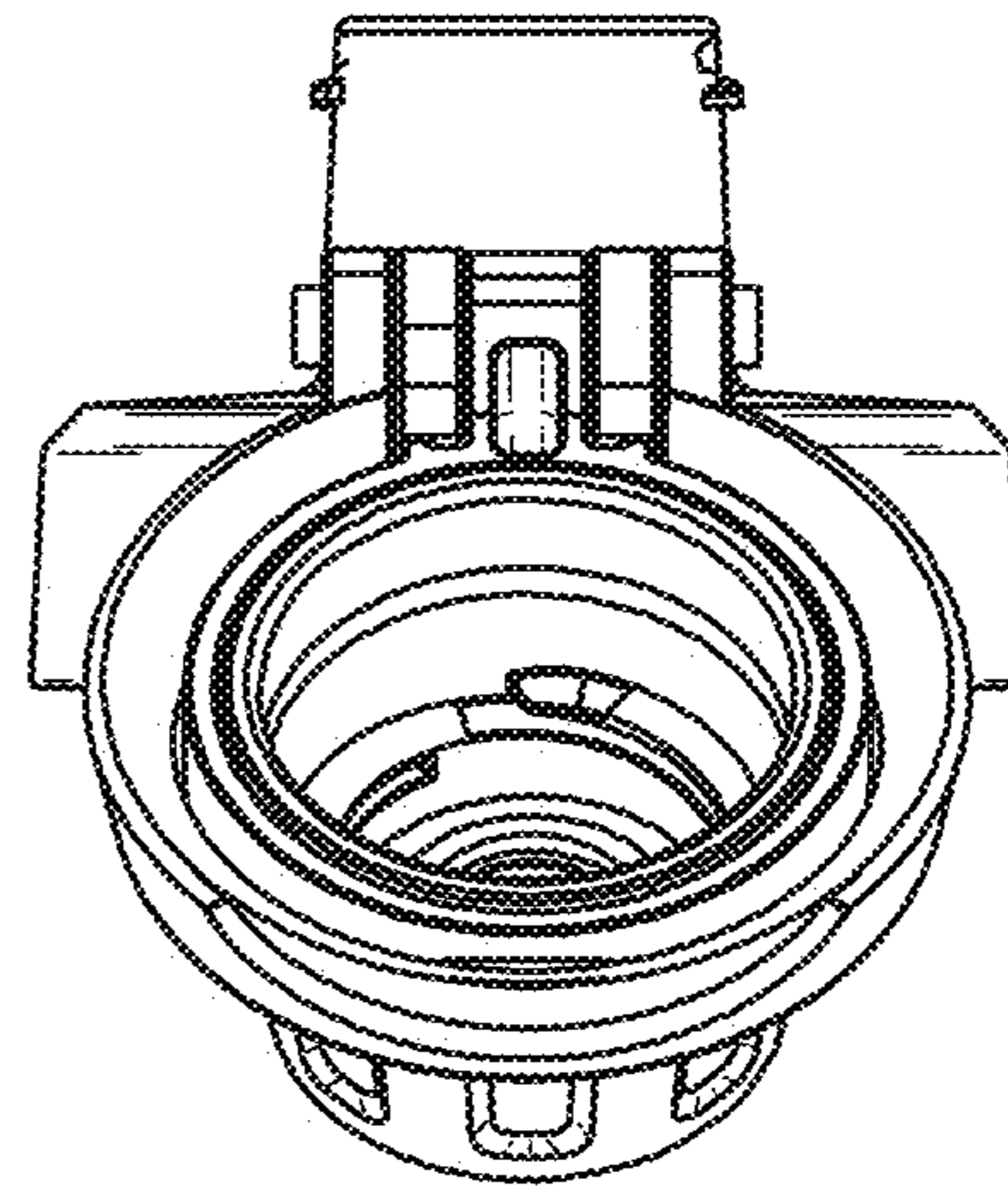


FIG. 25

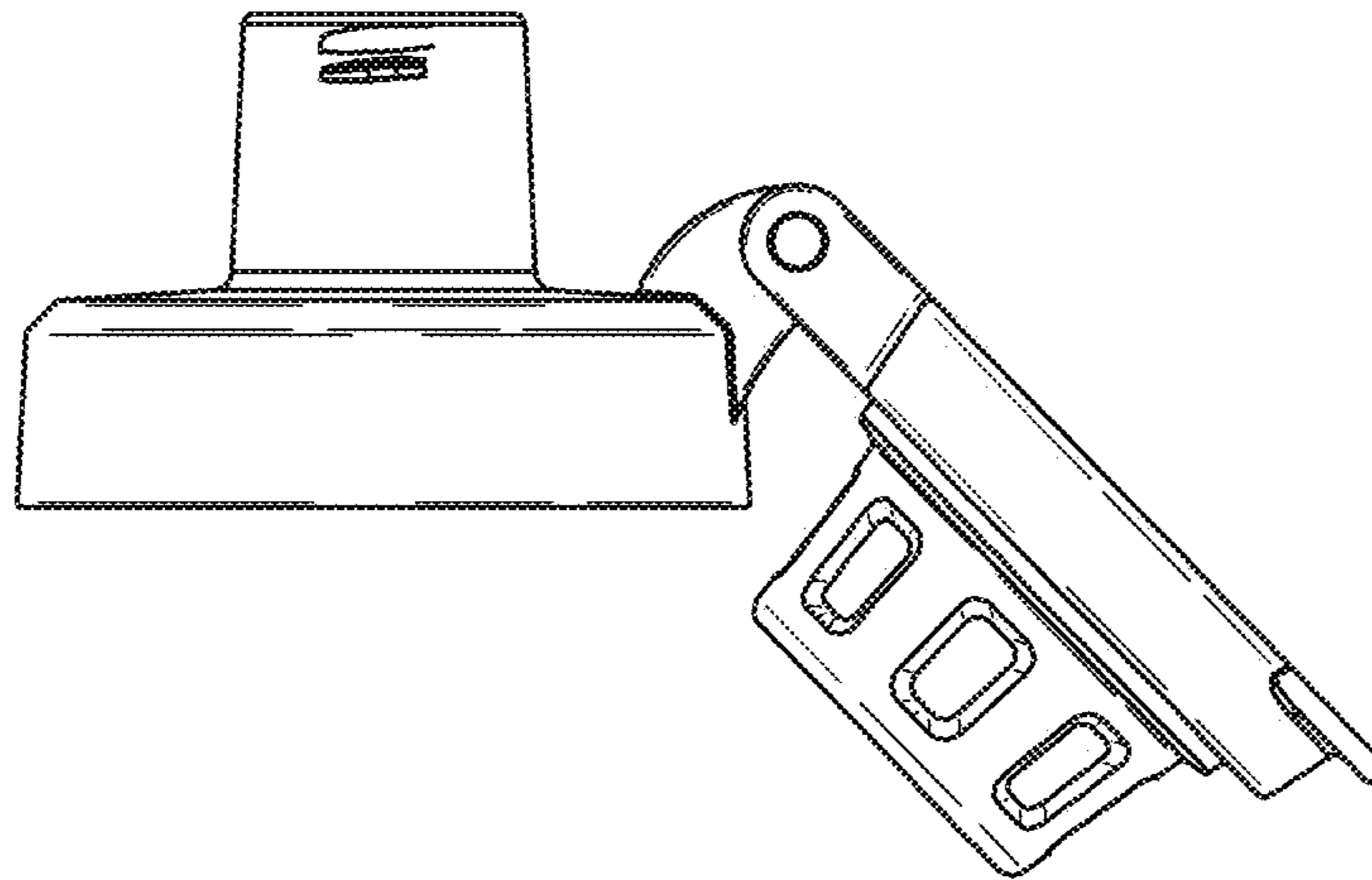


FIG. 26

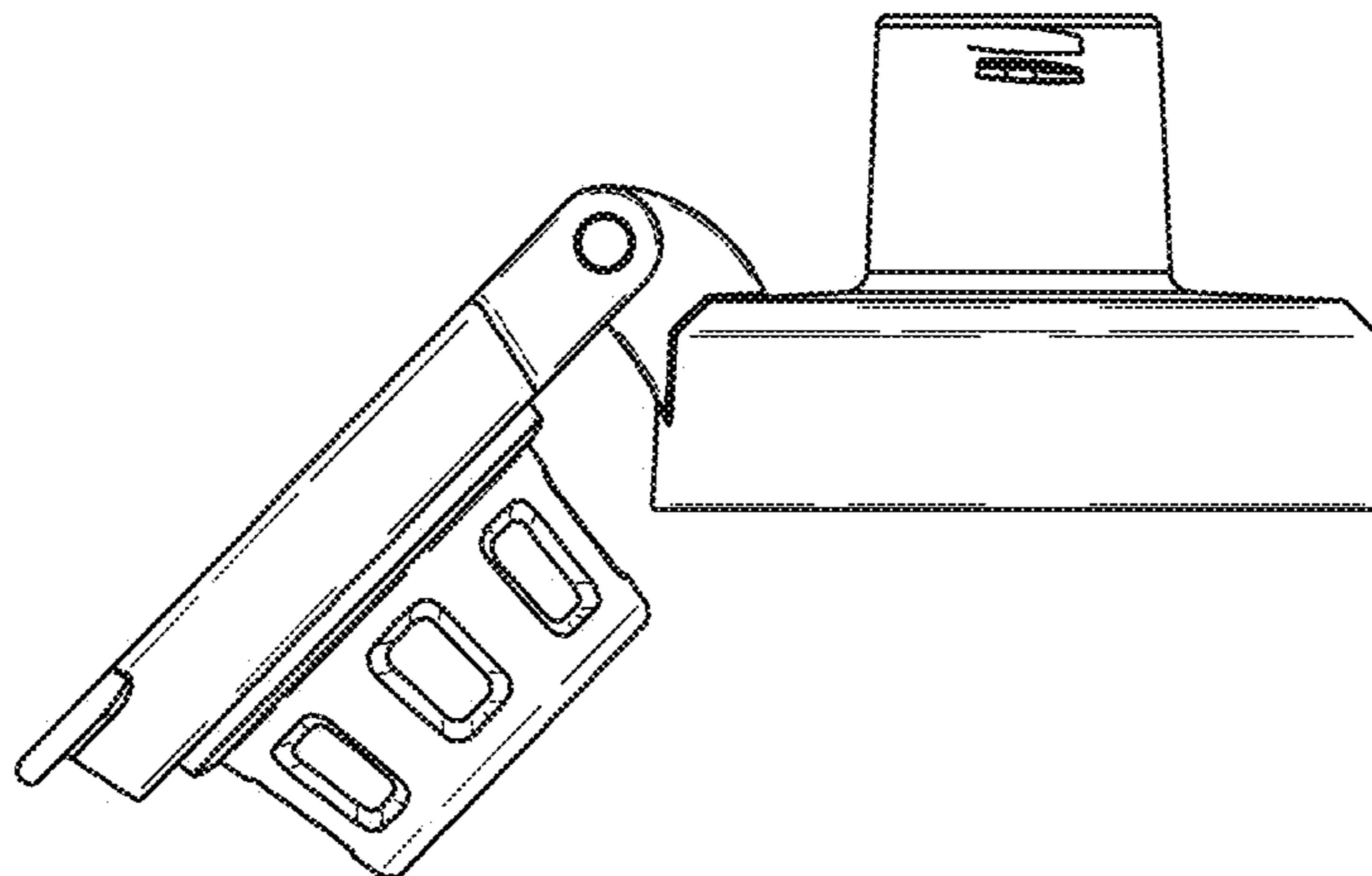


FIG. 27