

US00D928556S

(12) **United States Design Patent** (10) **Patent No.:** **US D928,556 S**
Gilmore, III et al. (45) **Date of Patent:** **** Aug. 24, 2021**

(54) **BEVERAGE CONTAINER LID**

(71) Applicant: **Leapfrog Product Development LLC**,
Chicago, IL (US)

(72) Inventors: **Glen C. Gilmore, III**, Naperville, IL
(US); **Micaela K. McCabe**, Chicago,
IL (US); **Steven N. Pinelli**, Ogden
Dunes, IN (US); **Derek J. Leatzow**,
Chicago, IL (US); **Brian M. Clemens**,
Burnsville, MN (US); **Richard E.**
Ellison, Chicago, IL (US); **Kurtis M.**
Sward, Anna Maria, FL (US)

(73) Assignee: **Leapfrog Product Development LLC**,
Chicago, IL (US)

(**) Term: **15 Years**

(21) Appl. No.: **29/682,717**

(22) Filed: **Mar. 7, 2019**

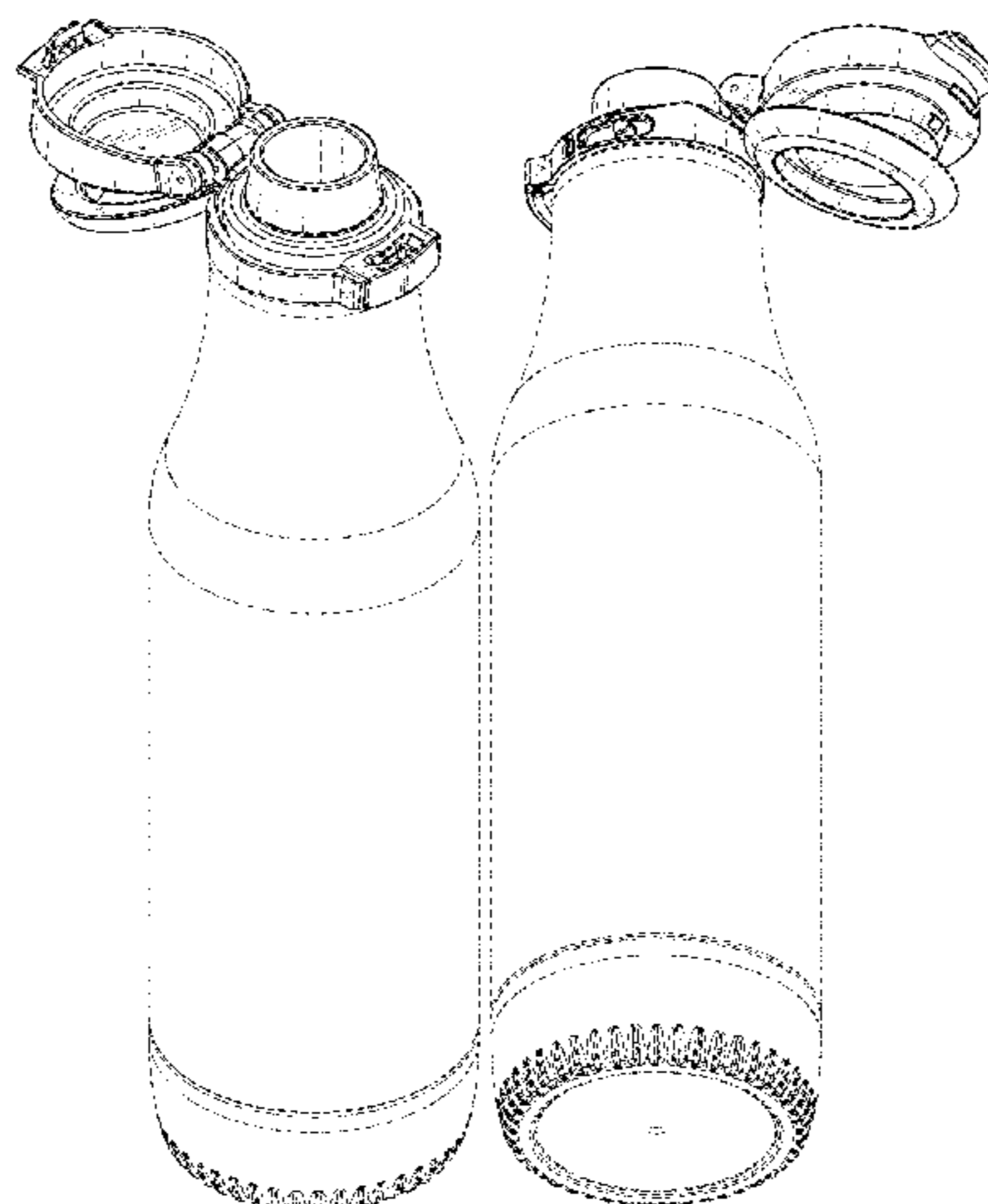
(51) **LOC (13) Cl.** **07-99**

(52) **U.S. Cl.**
USPC **D7/392; D7/392.1**

(58) **Field of Classification Search**
USPC D7/387, 391, 394, 396.2, 509-511, 538,
D7/900; D3/201, 202; D9/434, 435,
D9/436, 439, 440, 442, 443, 446-450,
D9/499, 686
CPC .. A61J 1/00; A61J 1/1412; B65D 1/00; B65D
1/02; B65D 1/10; B65D 1/46; B65D
2585/56; B65D 2585/545; B65D 41/00;
B65D 41/38; B65D 41/56; B65D 41/62;
B65D 47/00; B65D 47/06; B65D 47/08;
B65D 2543/00046; B65D 2543/00092;
B65D 2453/00296; B65D 5/46; B65D
2251/00
See application file for complete search history.

D485,132 S 1/2004 Ohno et al.
D505,294 S 5/2005 Gauss
D508,185 S 8/2005 Gauss
D515,357 S 2/2006 Ward et al.
D528,862 S 9/2006 Li
D533,061 S 12/2006 Li
D564,841 S 3/2008 Clemens et al.
D579,722 S 11/2008 Sakulsacha et al.
D581,727 S 12/2008 Pinelli et al.
D592,456 S 5/2009 Pinelli et al.
D592,905 S 5/2009 Pinelli et al.
D592,913 S 5/2009 Pinelli et al.
7,546,933 B2 6/2009 Pinelli
D609,964 S * 2/2010 Lane D7/392.1
D643,249 S 8/2011 Miller et al.
7,997,442 B2 8/2011 Pinelli
D655,580 S 3/2012 Kotani
D656,787 S 4/2012 Phillips et al.
D661,945 S * 6/2012 Eyal D7/392.1
D675,060 S 1/2013 Lane
8,360,267 B1 1/2013 Chiou et al.
D686,870 S * 7/2013 Young D7/392.1
D686,871 S * 7/2013 Lane D7/392.1
D693,629 S 11/2013 Miller
D693,630 S 11/2013 Hurley et al.
8,579,133 B2 11/2013 Marcus et al.
8,590,731 B2 11/2013 Pinelli
D700,012 S 2/2014 Hurley et al.
D700,802 S 3/2014 Miller
8,978,906 B2 3/2015 Feeleyetai.
D725,966 S * 4/2015 Boroski D7/511
D739,183 S * 9/2015 Lane D7/605
9,266,643 B2 2/2016 Marcus et al.
D758,189 S 6/2016 Roth et al.
D758,790 S 6/2016 Boroski
D780,578 S 3/2017 Lane et al.
D785,402 S * 5/2017 Shirley D7/392.1
D793,804 S * 8/2017 Herbst D7/392.1
D794,453 S * 8/2017 Boroski D7/392.1
D795,011 S 8/2017 Pisarevsky
D799,898 S 10/2017 Yao
D802,993 S 11/2017 Joseph et al.
D804,903 S 12/2017 Mason et al.
D804,904 S 12/2017 Noveletsky et al.
D808,220 S 1/2018 Burns et al.
D809,384 S 2/2018 Best et al.
D814,398 S 4/2018 Yasunaga
D817,713 S 5/2018 Lin
D818,767 S * 5/2018 Nezu D7/392.1
D821,136 S 6/2018 Silsby et al.
D821,137 S 6/2018 Boroski
D821,815 S 7/2018 Chung
D822,427 S 7/2018 Sorensen et al.

(56) **References Cited**
U.S. PATENT DOCUMENTS
D364,810 S 12/1995 Meisner
D471,455 S 3/2003 Laveault et al.



D831,425	S	10/2018	Best et al.	
D831,433	S	10/2018	Fleischhut	
D835,939	S *	12/2018	Yee	D7/392.1
D839,044	S	1/2019	Potter et al.	
D848,787	S *	5/2019	Tatsukawa	D7/392.1
D853,181	S	7/2019	Stanton	
D853,784	S *	7/2019	Wu	D7/392.1
D865,457	S	11/2019	Kotani	
D869,230	S *	12/2019	Hao	D7/392.1
D870,509	S *	12/2019	Bo	D7/392.1
D890,565	S *	7/2020	Doucet	D7/392.1
2007/0090111	A1 *	4/2007	Alvares	B65D 21/022 220/257.2
2007/0251949	A1 *	11/2007	Barre	B65D 47/0871 220/890
2009/0014457	A1 *	1/2009	Bennett	B65D 43/163 220/834
2011/0089059	A1	4/2011	Lane et al.	
2012/0312832	A1	12/2012	Lane	
2014/0339177	A1	11/2014	Lane	
2015/0282654	A1	10/2015	Kurabe et al.	
2017/0297785	A1 *	10/2017	Maruyama	A47G 19/2272
2018/0037375	A1 *	2/2018	Lee	B65D 43/16
2018/0127163	A1 *	5/2018	Choi	B65D 39/00

https://www.camelbak.com/en/bottles/R02056-Eddy_75L_2019?color=6bbd0584f3a64b0eb30d406f7e03797e.
<https://www.gocontigo.com/20-oz-autoseal-west-loop-stainless-travel-mug-with-easy-clean-lid.html>.
<https://www.gocontigo.com/14-oz-autospout-striker-kids-water-bottle.html>.
<https://www.zojirushi.com/app/product/smyae>.
<https://www.zojirushi.com/app/product/smkc>.
<https://www.zojirushi.com/app/product/sijs>.
<https://www.zojirushi.com/app/product/smqhe>.
<https://www.zojirushi.com/app/product/smtae>.
<https://www.zojirushi.com/app/product/smta>.
<https://www.zojirushi.com/app/product/smse>.
<https://www.zojirushi.com/app/product/smsd>.
<https://www.zojirushi.com/app/product/smshe>.
<https://www.zojirushi.com/app/product/smkhe>.
<https://www.zojirushi.com/app/product/smsc>.
<https://www.zojirushi.com/app/product/smpc>.
<https://www.zojirushi.com/app/product/smpb>.
<https://www.pinterest.ru/pin/12666442685646757/>.
https://www.coleman.com/all-camp-kitchen/drinkware/switch-ss-col_2038485_pr/COL_2038485.
<https://corkcicle.com/products/classic-arctican?variant=475182759951>.

OTHER PUBLICATIONS

Elio website, Riley 18oz Soft Chug Stainless Steel Water Bottle, Publication date unknown, [site visited Sep. 3, 2020], Available on the Internet URL <https://www.elloproducts.com/water-bottles/riley-18oz-soft-chug-stainless-steel-water-bottle> (Year: 2020).
<https://www.zuluathletic.com/shop-all/atlas-glass-water-bottle>.
<https://waterbottles.com/kor-vida-bottle-25-oz>.
<https://www.thermos.com/genuine-thermos-brand-hydration-bottle-with-rotating-intake-meter-24oz.html>.
<https://www.thermos.com/genuine-thermos-brand-shaker-bottle-with-integrated-mixer-24oz-clear-green-accent.html>.
<https://www.tervis.com/turtle-sunset-stainless-steel-24oz-stainless-water-bottle-1362572.html>.
<https://www.swell.com/shop/swell/bottles/>.
<http://www.pogogear.com/32oz-tritan-straw>.
<http://www.pogogear.com/32oz-tritan-chug>.
<http://www.pogogear.com/18oz-tritan-chug>.
<https://www.elloproducts.com/water-bottles/chi-24oz-plastic-water-bottle>.
<https://www.elloproducts.com/kids/dash-16oz-tritan-plastic-water-bottle>.
<https://www.elloproducts.com/tumblers/cru-stemless-wine-glass-set-with-silicone-protection>.
<https://www.elloproducts.com/water-bottles/elsie-22oz-glass-water-bottle>.
<https://www.elloproducts.com/tumblers/beacon-24oz-vacuum-insulated-stainless-tumbler>.
<https://www.elloproducts.com/kids/rise-12oz-vacuum-insulated-stainless-steel-tumbler>.
<https://www.elloproducts.com/travel-mugs/hammertime-18oz-vacuum-insulated-stainless-steel-travel-mug>.
<https://www.elloproducts.com/water-bottles/pure-20oz-glass-water-bottle>.
<https://www.elloproducts.com/kids/max-12oz-vacuum-insulated-stainless-steel-kids-water-bottle>.
<https://www.elloproducts.com/water-bottles/syndicate-20oz-glass-water-bottle>.

* cited by examiner

Primary Examiner — Karen S Acker
Assistant Examiner — Steven B Reinholdt, Jr.
(74) *Attorney, Agent, or Firm* — Barnes & Thornburg LLP

(57) CLAIM

We claim the ornamental design for a beverage container lid, as shown and described.

DESCRIPTION

FIG. 1 is a top perspective view of the beverage container lid according to the new design.
FIG. 2 is a bottom perspective view of the beverage container lid shown in FIG. 1.
FIG. 3 is a front elevation view of the beverage container lid shown in FIG. 1.
FIG. 4 is a rear elevation view of the beverage container lid shown in FIG. 1.
FIG. 5 is a left side elevation view of the beverage container lid shown in FIG. 1.
FIG. 6 is a right side elevation view of the beverage container lid shown in FIG. 1.
FIG. 7 is a top plan view of the beverage container lid shown in FIG. 1; and,
FIG. 8 is a bottom plan view of the beverage container lid shown in FIG. 1.
The broken lines in the drawings depicting a bottle as environment form no part of the claimed design.

1 Claim, 8 Drawing Sheets

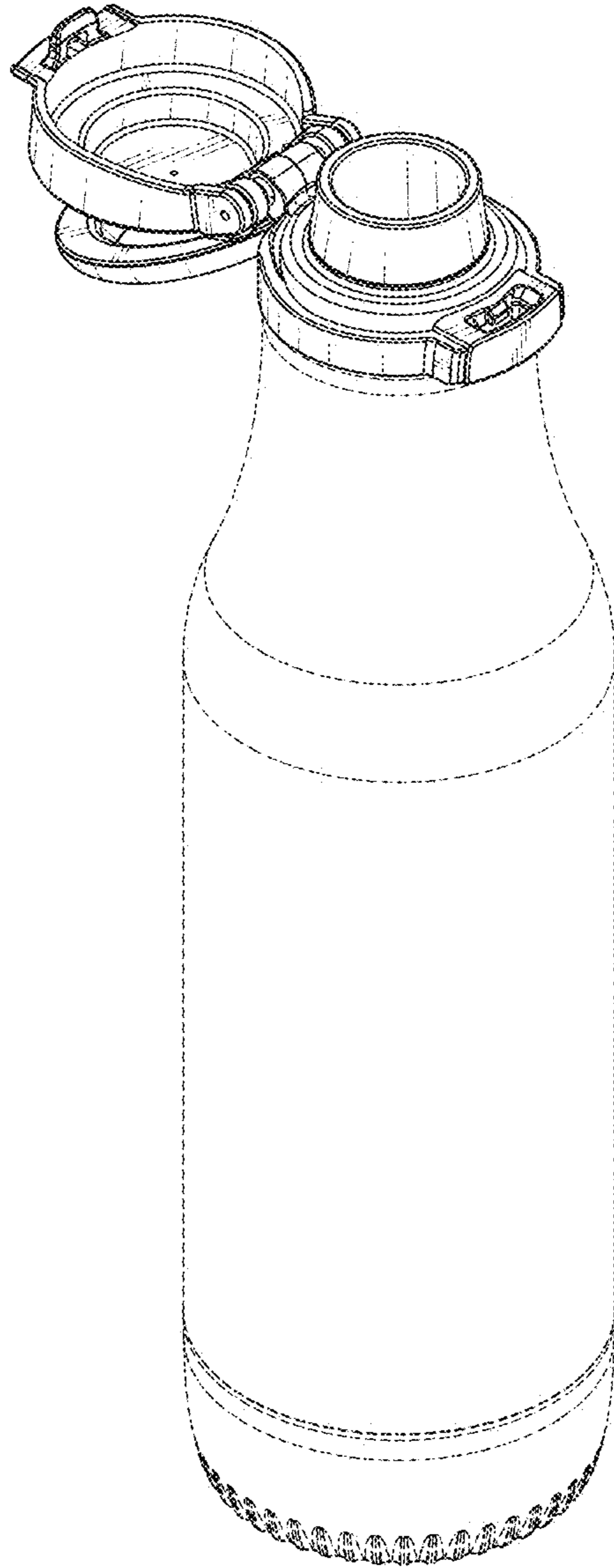


FIG. 1

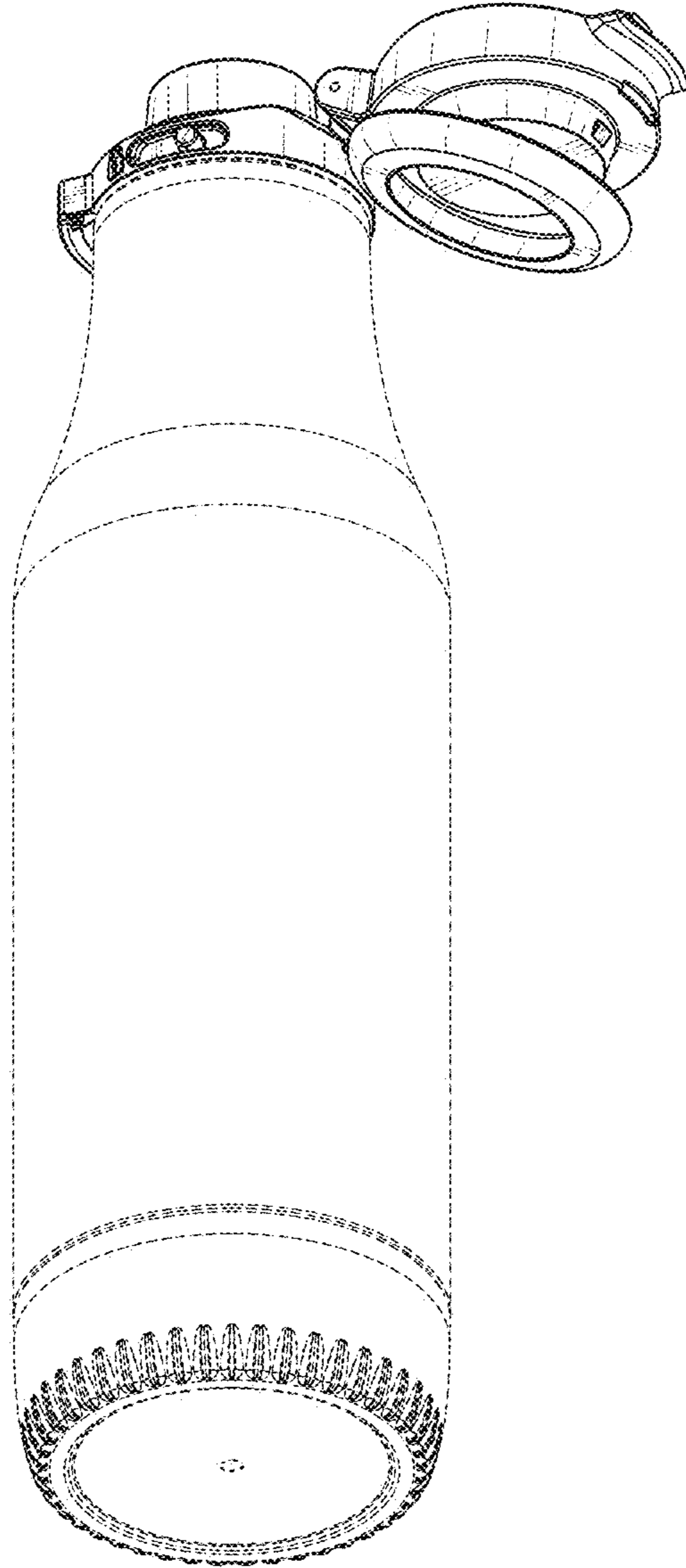


FIG. 2

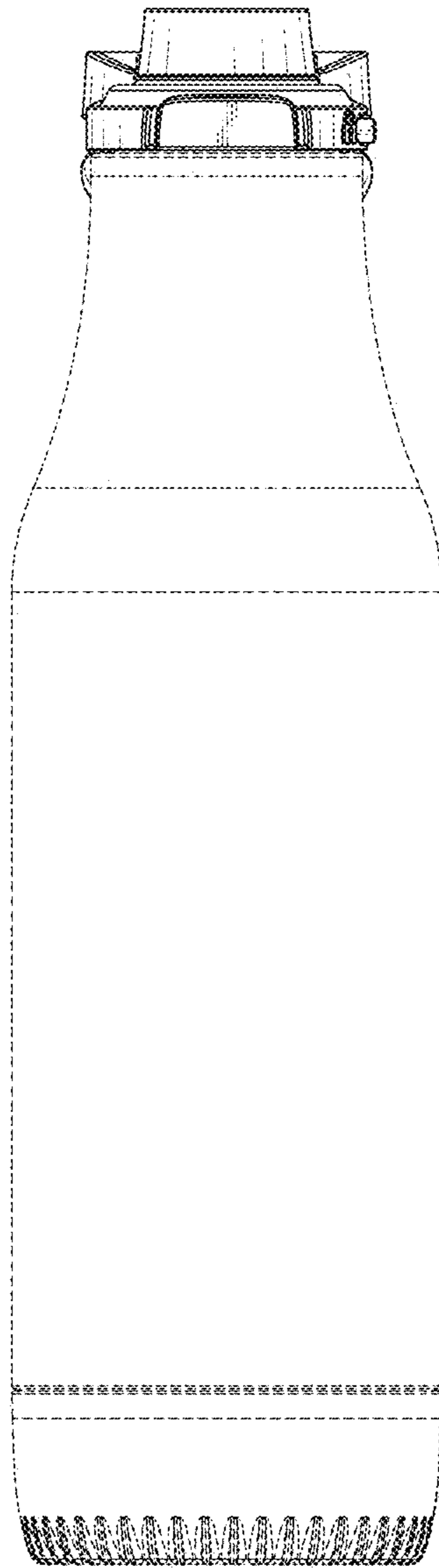


FIG. 3

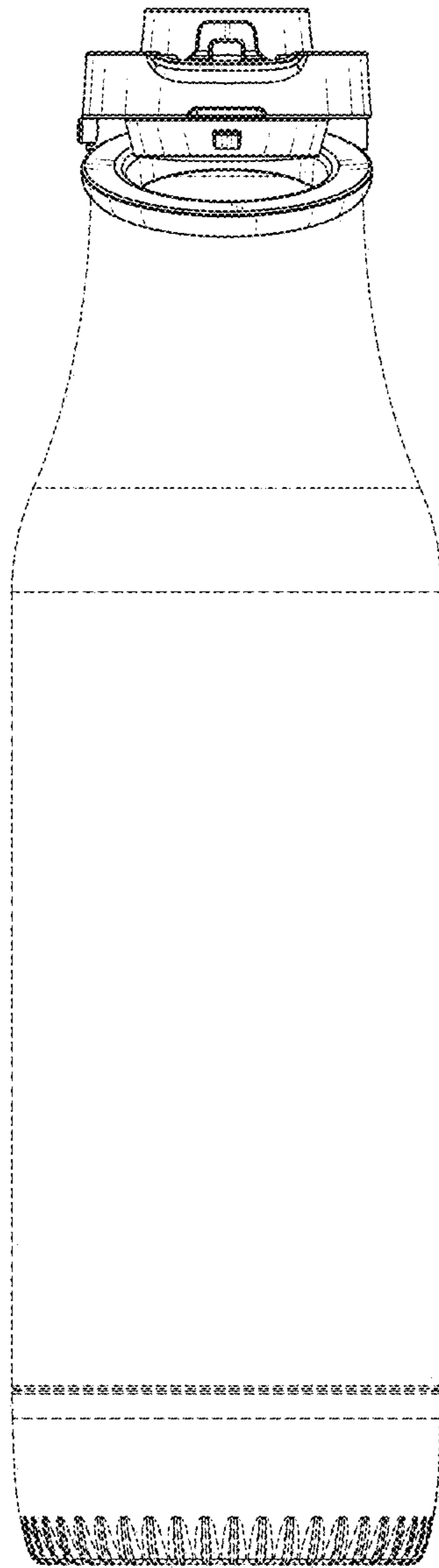


FIG. 4

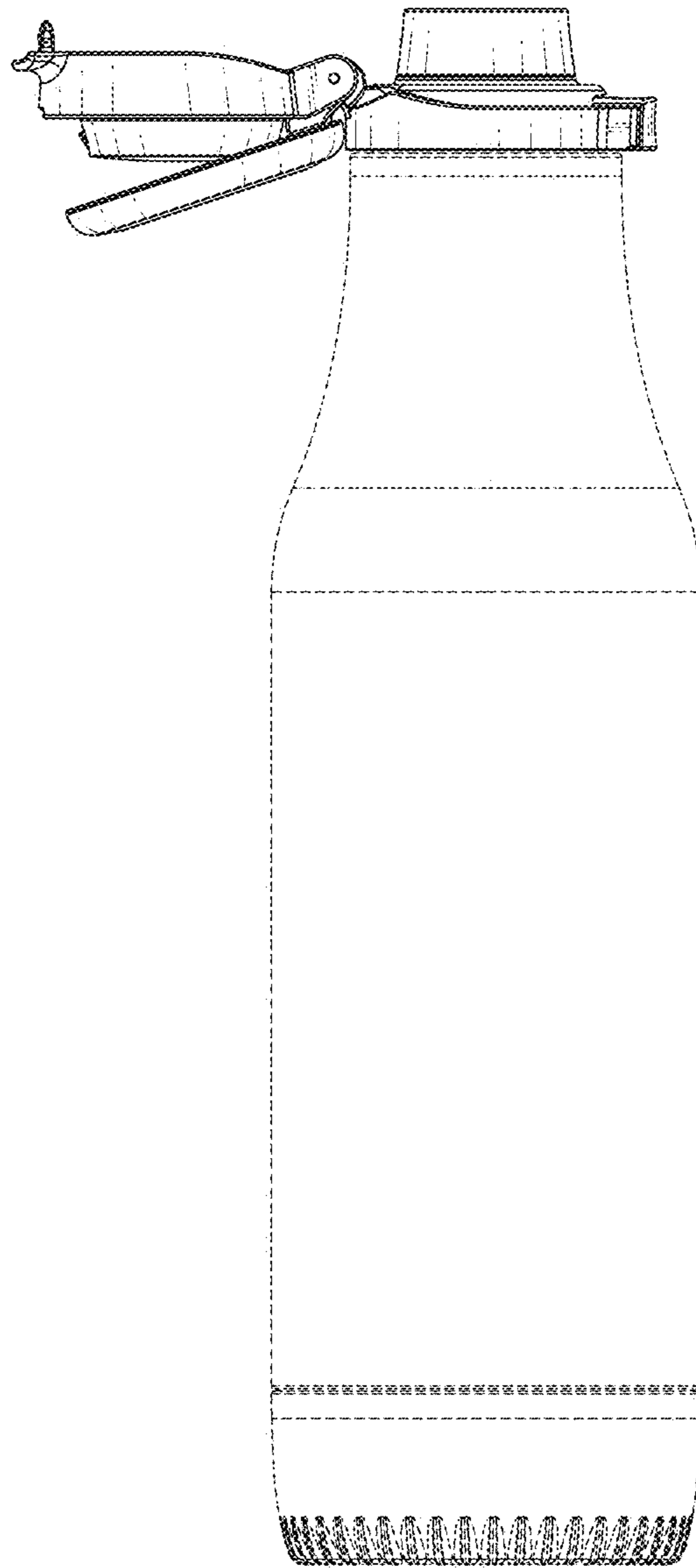


FIG. 5

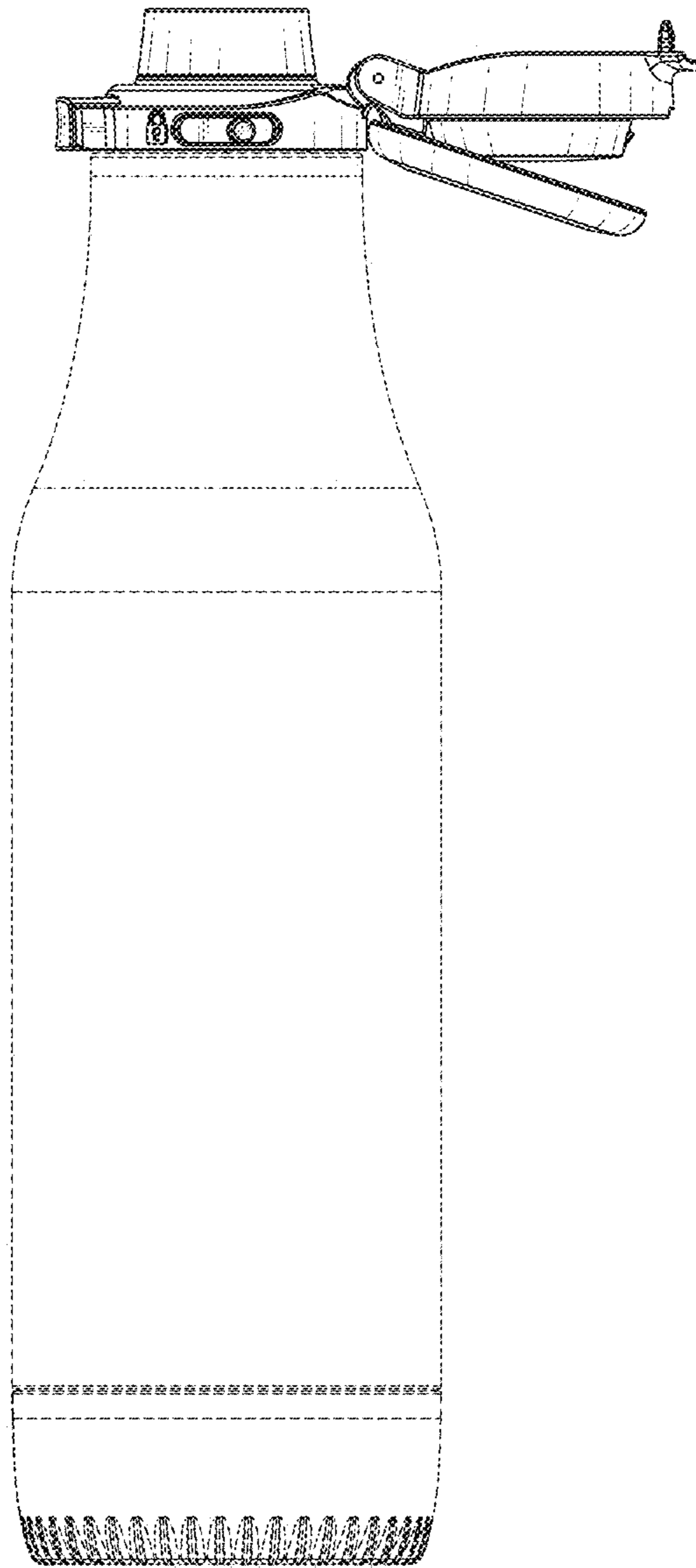


FIG. 6

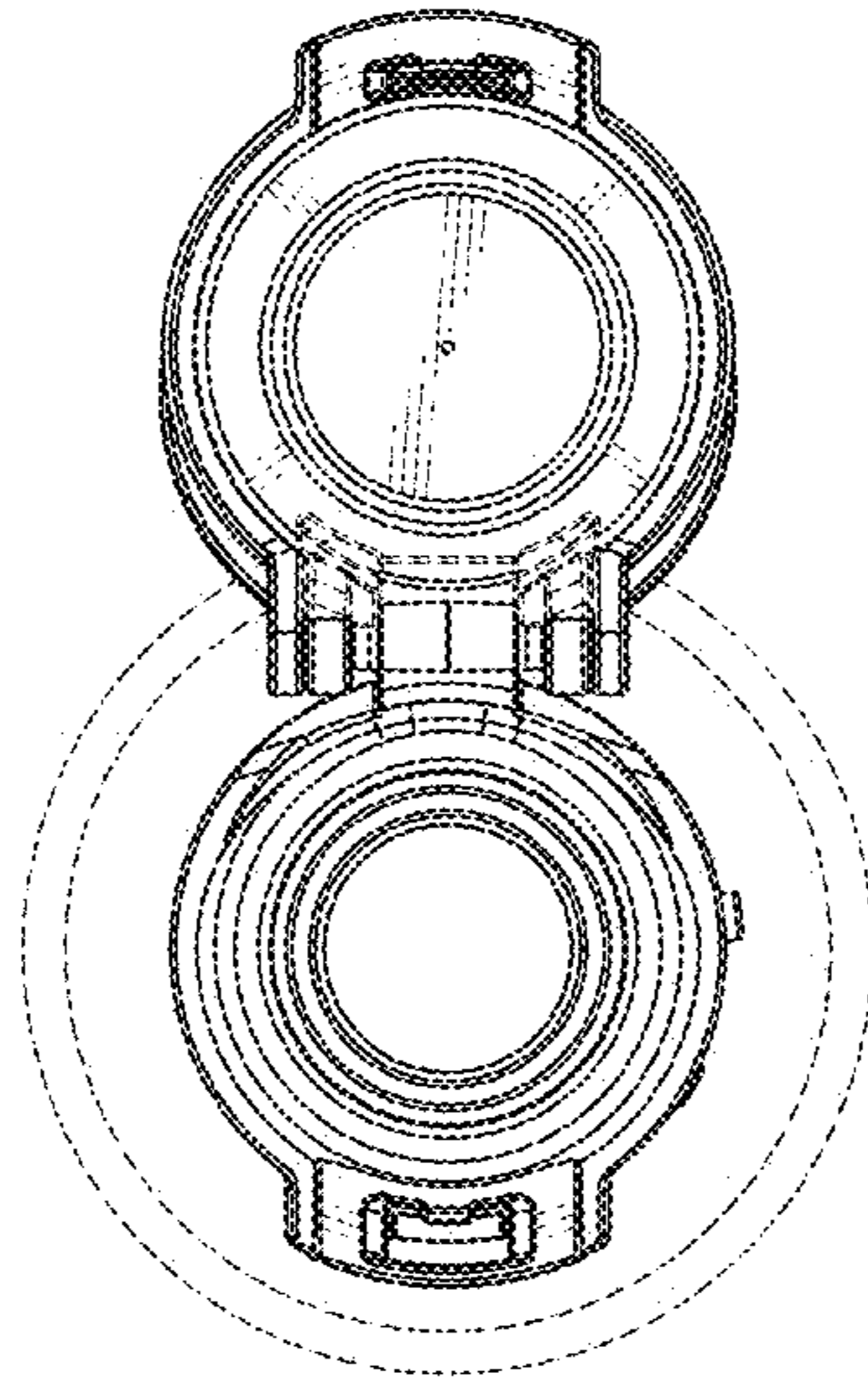


FIG. 7

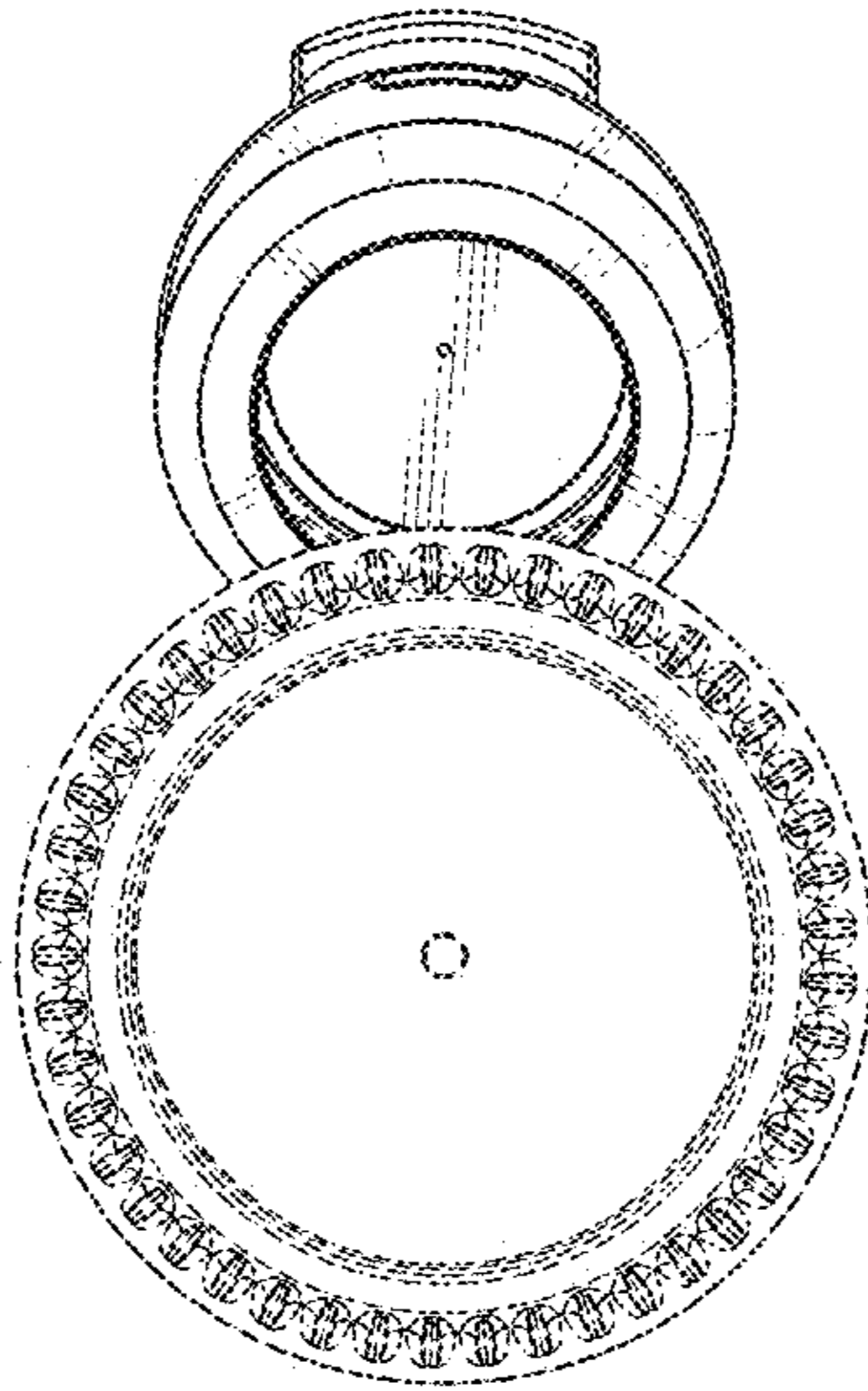


FIG. 8