



US00D928555S

(12) **United States Design Patent**
Luburic et al.

(10) **Patent No.:** **US D928,555 S**

(45) **Date of Patent:** **** Aug. 24, 2021**

(54) **CONTAINER LID**

(71) Applicant: **BWAY Corporation**, Atlanta, GA (US)

(72) Inventors: **Frano Luburic**, Costa Mesa, CA (US);
Christopher James Lung, Santa Ana, CA (US)

(73) Assignee: **BWAY Corporation**, Atlanta, GA (US)

(**) Term: **15 Years**

(21) Appl. No.: **29/676,429**

(22) Filed: **Jan. 10, 2019**

(51) **LOC (13) Cl.** **07-02**

(52) **U.S. Cl.**
USPC **D7/391**

(58) **Field of Classification Search**

USPC D7/391, 392, 392.1, 393, 397, 629;
D9/414, 424-432, 435, 451-452
CPC A47J 36/027; A47J 36/06; A47J 37/10;
A47J 37/101; B44D 3/128; B65D 1/14;
B65D 1/22; B65D 1/265; B65D 21/0209;
B65D 21/0233; B65D 25/2897; B65D
43/00; B65D 43/02; B65D 43/022; B65D
43/0212; B65D 43/0249; B65D 43/0256;
B65D 43/161; B65D 43/162; B65D
45/00; B65D 45/16; B65D 45/18; B65D
51/16; B65D 51/1683; B65D 51/1688;
B65D 51/1694; B65F 1/1615

See application file for complete search history.

(56) **References Cited**

U.S. PATENT DOCUMENTS

2,844,276 A 7/1958 Dimmock
3,730,382 A 5/1973 Heisler

(Continued)

OTHER PUBLICATIONS

Gamma Seal Lid: <http://www.urbanhomemaker.com/productcart/pc/viewPrd.asp?idproduct=1353>, retrieved Jun. 1, 2017 (2 pages).

Primary Examiner — Ricky Pham

(74) *Attorney, Agent, or Firm* — Morris, Manning & Martin, LLP; Daniel E. Sineway, Esq.; Bryan D. Stewart, Esq.

(57) **CLAIM**

The ornamental design for the container lid, as shown and described.

DESCRIPTION

FIG. 1 is a perspective view of an exemplary container lid of the first embodiment;

FIG. 2 is a perspective view of an exemplary container lid of FIG. 1;

FIG. 3 is a perspective view of an exemplary container lid of FIG. 1;

FIG. 4 is a perspective view of an exemplary container lid of FIG. 1;

FIG. 5 is a top view of an exemplary container lid of FIG. 1;

FIG. 6 is a side view of an exemplary container lid of FIG. 1;

FIG. 7 is a side view of an exemplary container lid of FIG. 1;

FIG. 8 is a perspective view of an exemplary container lid of the second embodiment;

FIG. 9 is a perspective view of an exemplary container lid of FIG. 8;

FIG. 10 is a perspective view of an exemplary container lid of FIG. 8;

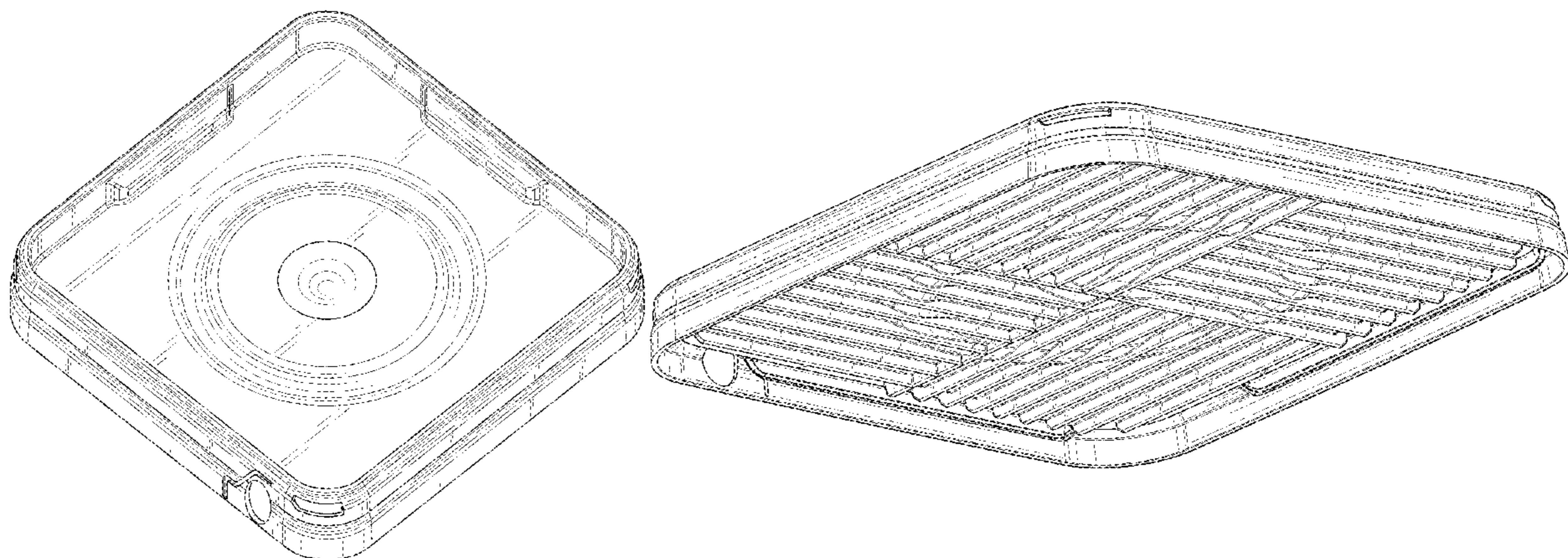
FIG. 11 is a perspective view of an exemplary container lid of FIG. 8;

FIG. 12 is a top view of an exemplary container lid of FIG. 8;

FIG. 13 is a side view of an exemplary container lid of FIG. 8; and,

FIG. 14 is a side view of an exemplary container lid of FIG. 8.

1 Claim, 14 Drawing Sheets



(56)

References Cited

U.S. PATENT DOCUMENTS

3,817,420	A	6/1974	Heisler		7,963,419	B2	6/2011	Burney et al.	
3,913,785	A	10/1975	Pattershall		8,091,732	B2	1/2012	Bryson et al.	
3,999,677	A	12/1976	Oberkircher		8,181,819	B2	5/2012	Burney et al.	
4,034,889	A	7/1977	Hammes et al.		8,191,728	B2 *	6/2012	Auer	A47J 36/06 220/784
4,210,258	A	7/1980	von Holdt		8,256,640	B2 *	9/2012	Luburic	B65D 1/14 220/669
4,228,916	A	10/1980	Weingardt		8,281,952	B2 *	10/2012	Robellard	B44D 3/128 220/570
4,349,119	A *	9/1982	Letica	B65D 1/22 220/659	8,342,354	B2	1/2013	Letica	
4,356,930	A	11/1982	Roper		8,459,486	B2	6/2013	Luburic et al.	
4,375,265	A	3/1983	van de Wetering et al.		8,596,492	B2	12/2013	Lown et al.	
4,524,882	A	6/1985	Buc		8,863,983	B2	10/2014	Meers et al.	
4,530,442	A	7/1985	Vogel, Jr. et al.		8,925,755	B2 *	1/2015	Lesquir	B65D 43/0249 220/266
4,560,077	A	12/1985	Dutt		2002/0063134	A1	5/2002	von Holdt, Sr. et al.	
4,574,974	A	3/1986	von Holdt		2003/0015542	A1	1/2003	Nulty et al.	
4,735,337	A	4/1988	von Holdt		2004/0060942	A1 *	4/2004	Luburic	B65D 25/2897 220/671
5,096,083	A	3/1992	Shaw et al.		2004/0232026	A1	11/2004	Goeking et al.	
5,131,557	A	7/1992	Stolzman		2006/0163252	A1	7/2006	Zalewski	
5,730,309	A	3/1998	Jiradejnunt et al.		2007/0205196	A1 *	9/2007	Burney	B65D 43/0212 220/276
5,842,593	A	12/1998	von Holdt		2009/0026203	A1	1/2009	Selina et al.	
6,065,628	A	5/2000	Page		2009/0294322	A1 *	12/2009	Baltz	B65D 43/0256 206/519
6,491,185	B1	12/2002	Azzarello et al.		2014/0217096	A1	8/2014	Simpson	
6,595,366	B1	7/2003	Brown		2015/0321796	A1 *	11/2015	O'Leary	B65D 21/0233 220/675
6,648,164	B1	11/2003	DeCola et al.						
6,880,716	B2	4/2005	Gottainer et al.						
7,318,536	B2 *	1/2008	Maravich	B65D 1/265 220/780					
7,475,788	B2	1/2009	Schwarz						

* cited by examiner

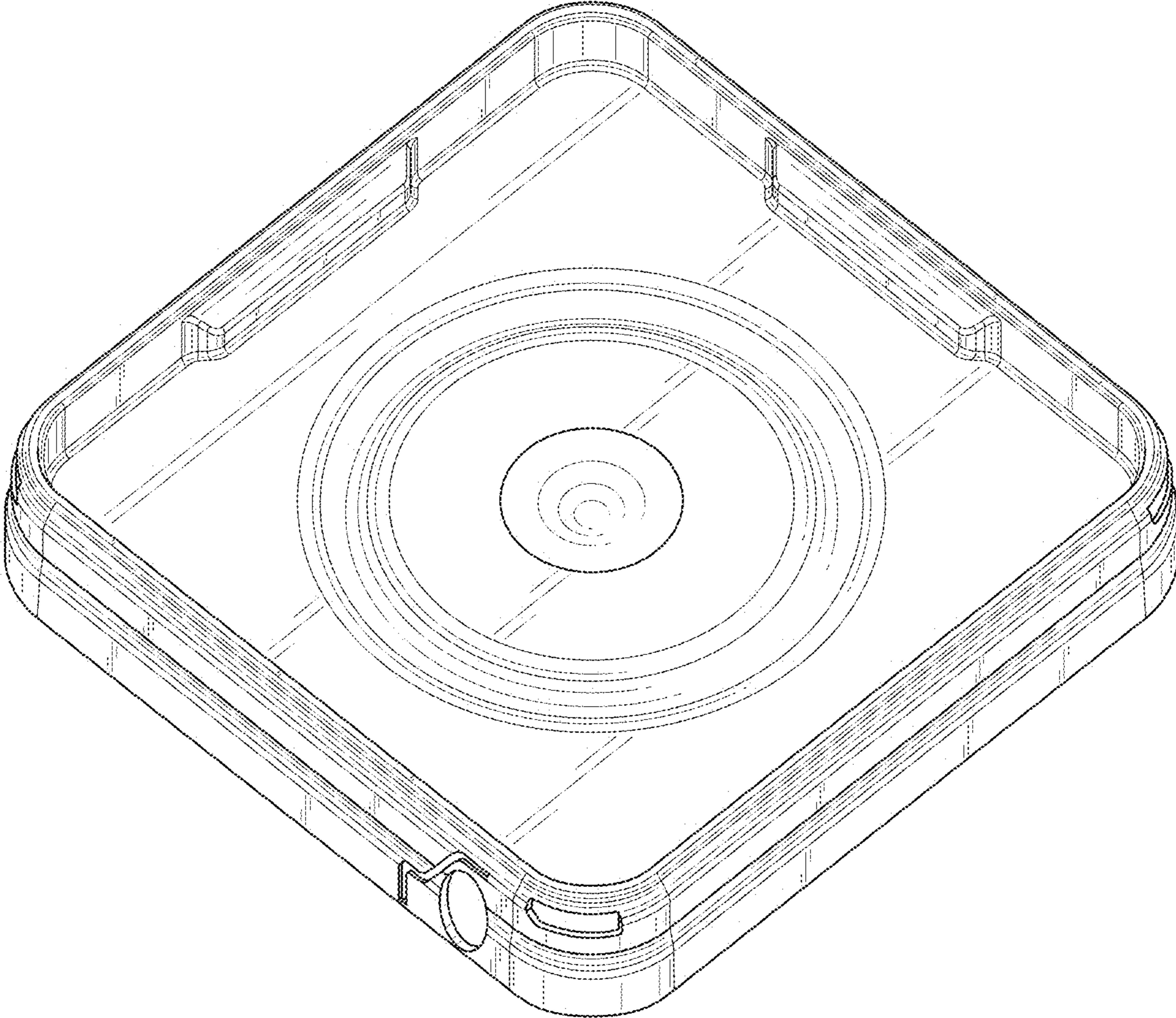


FIG. 1

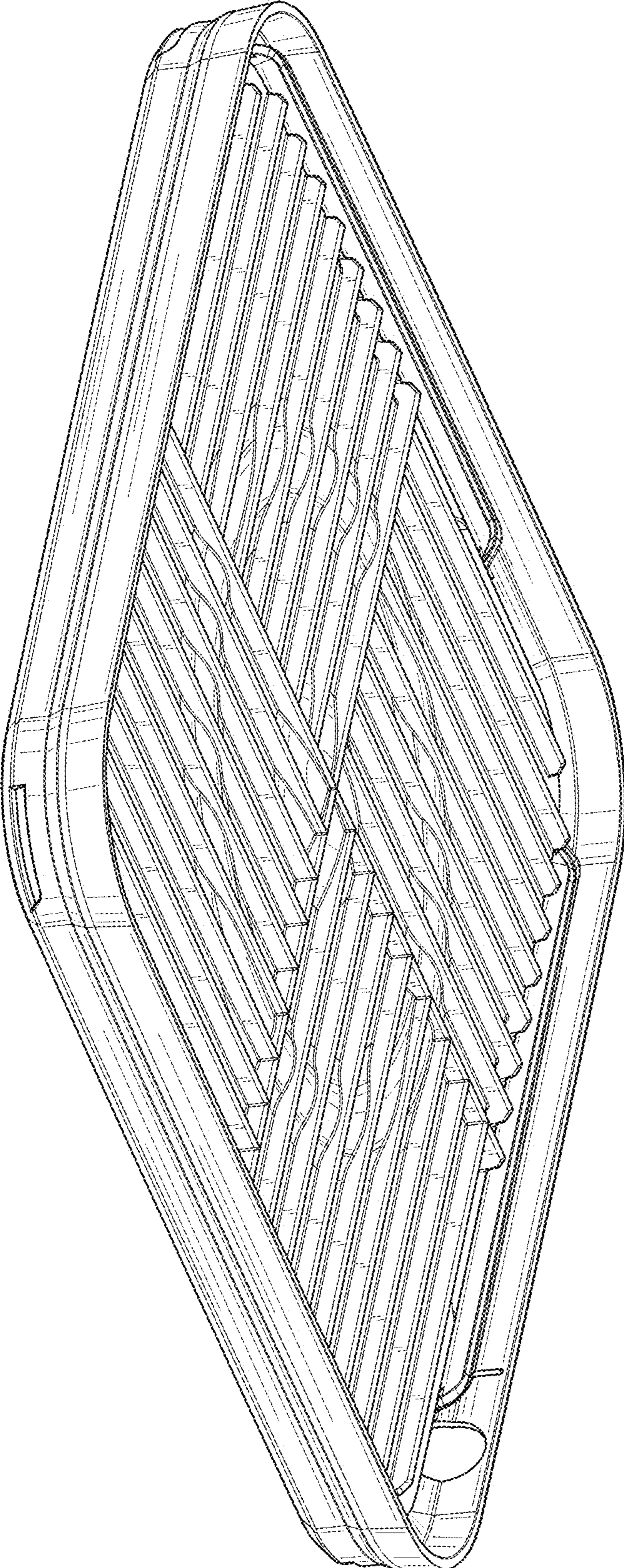


FIG. 2

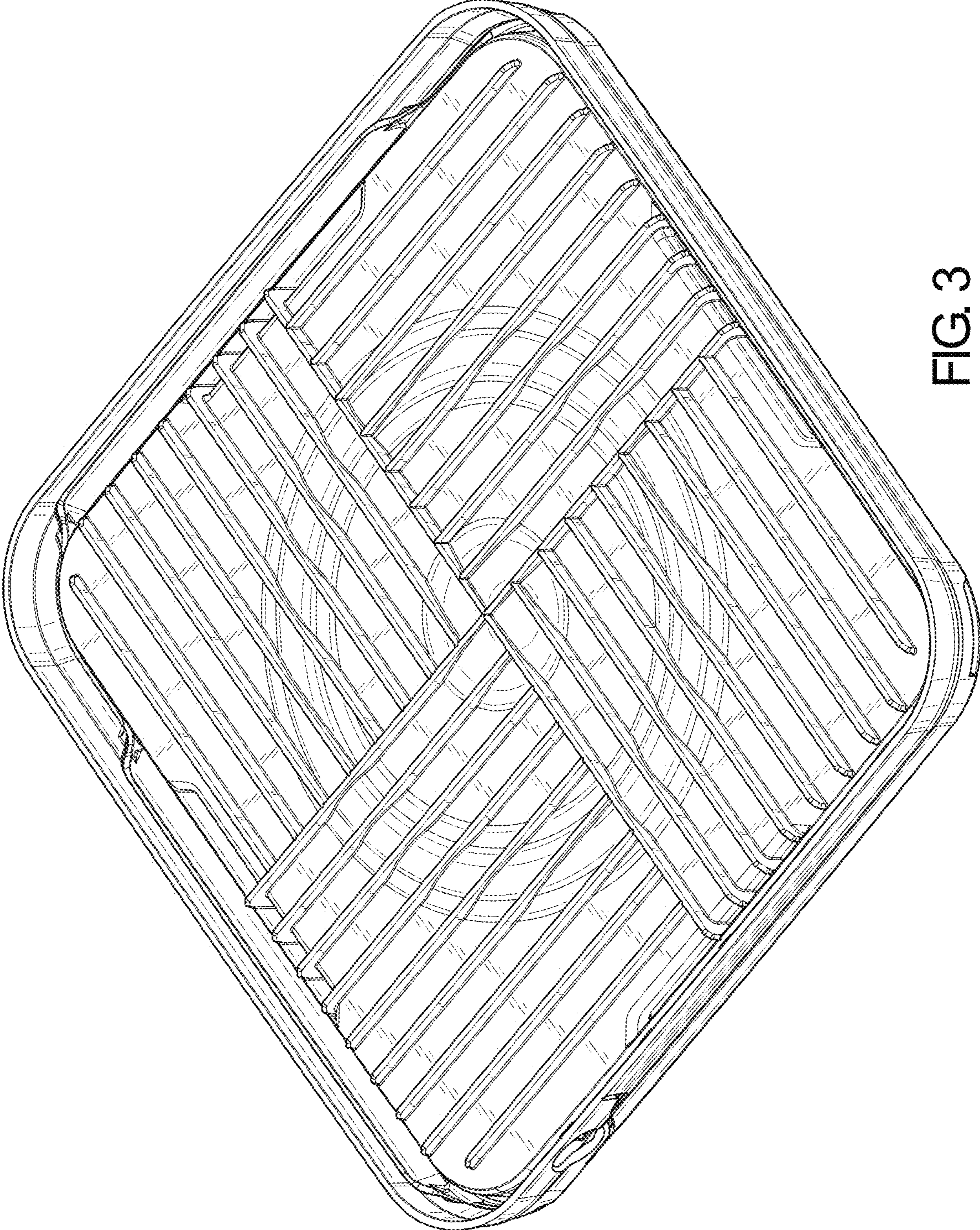


FIG. 3

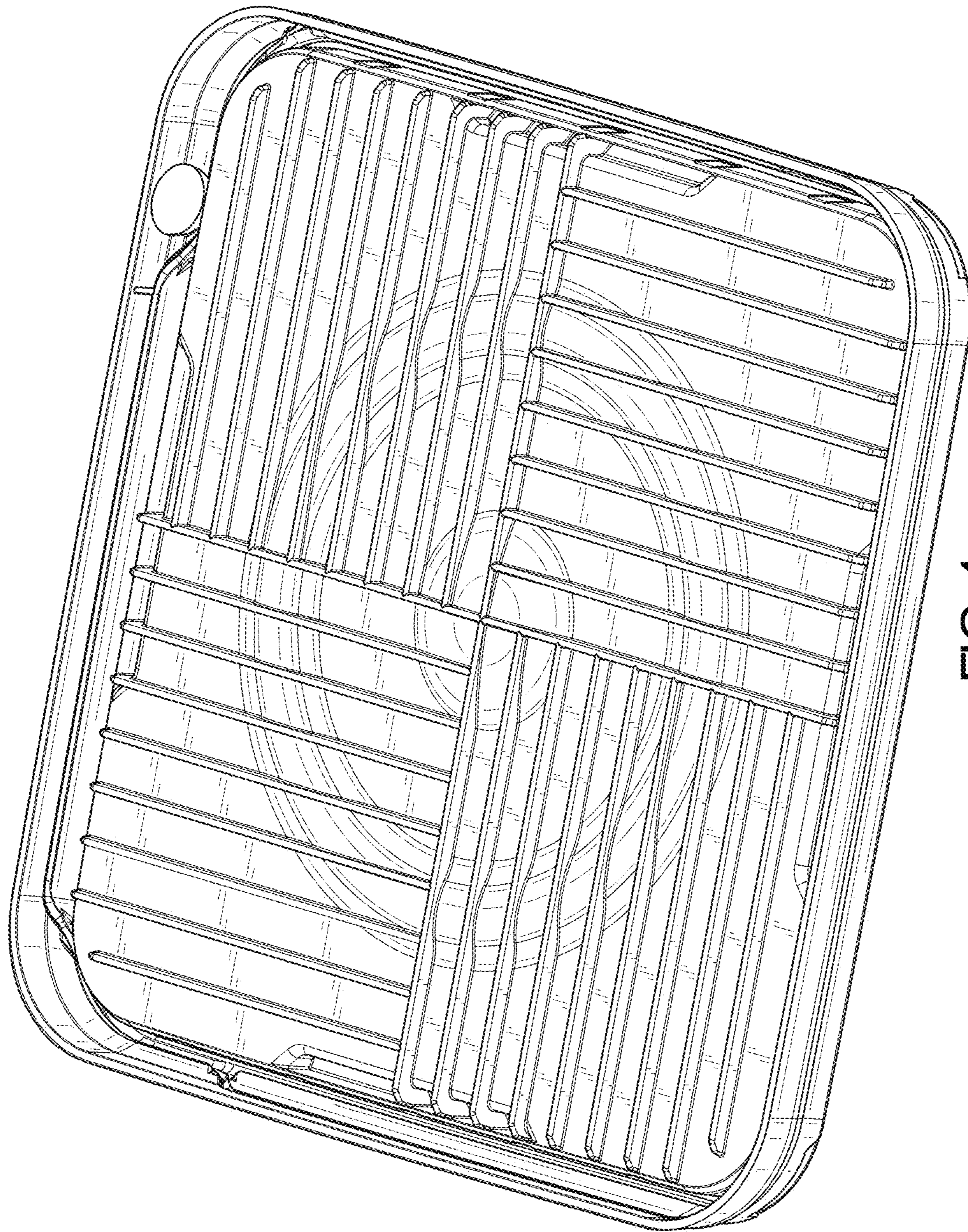


FIG. 4

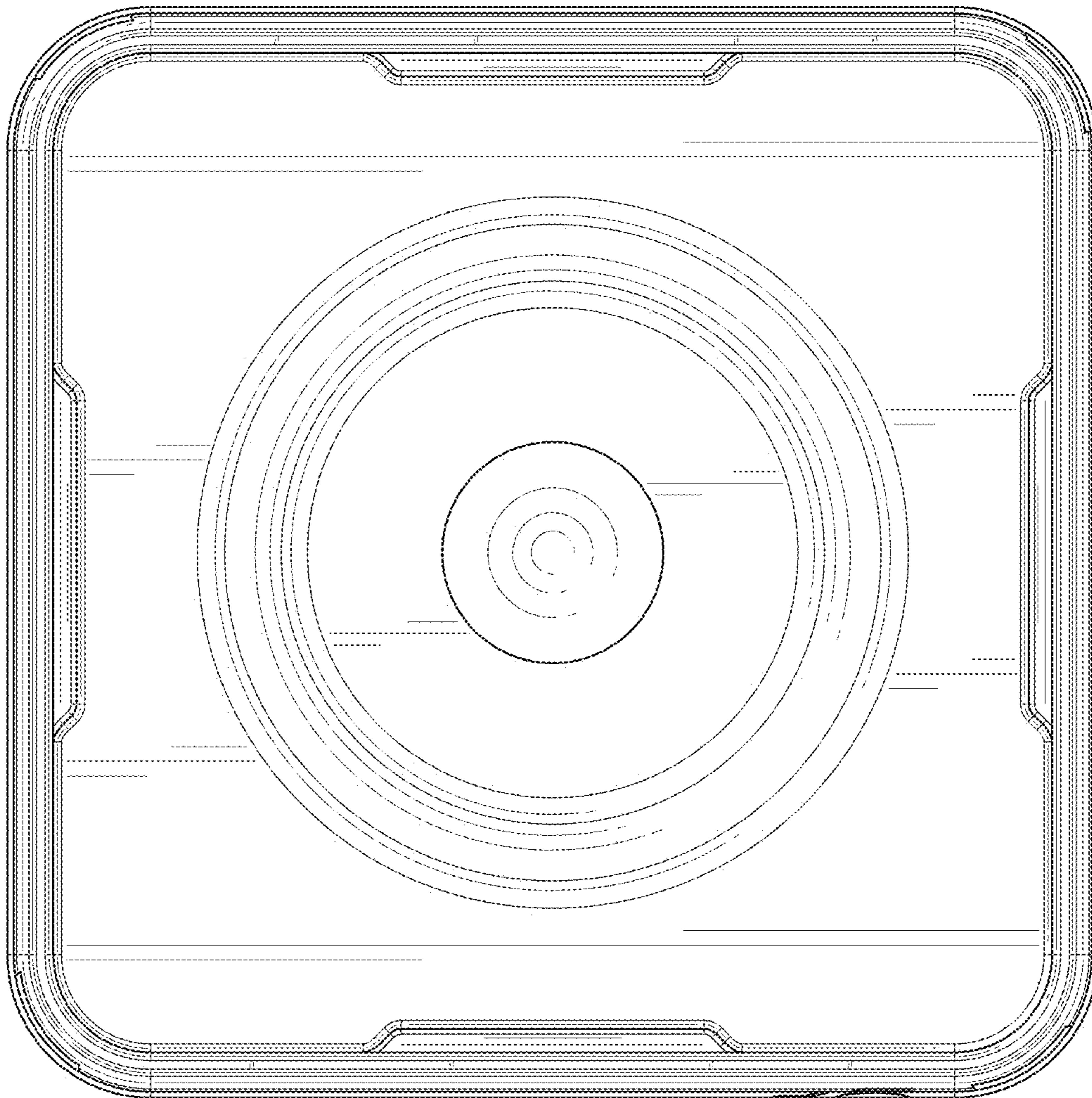


FIG. 5

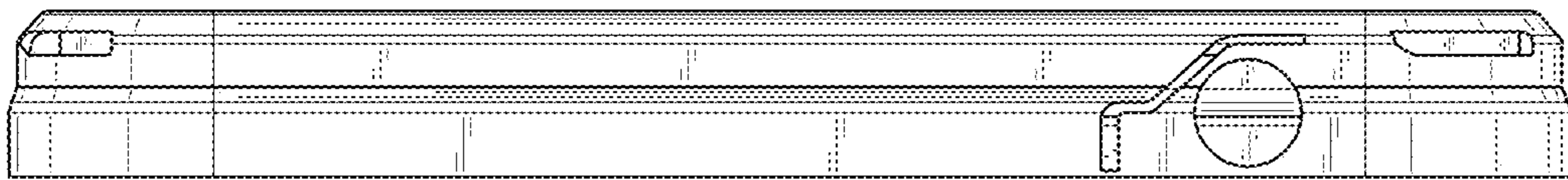


FIG. 6

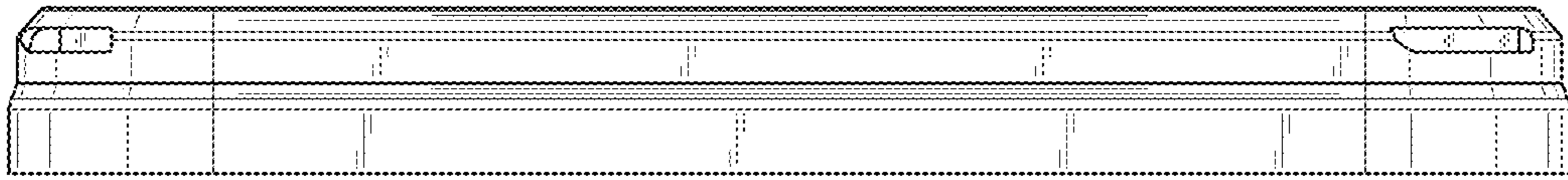


FIG. 7

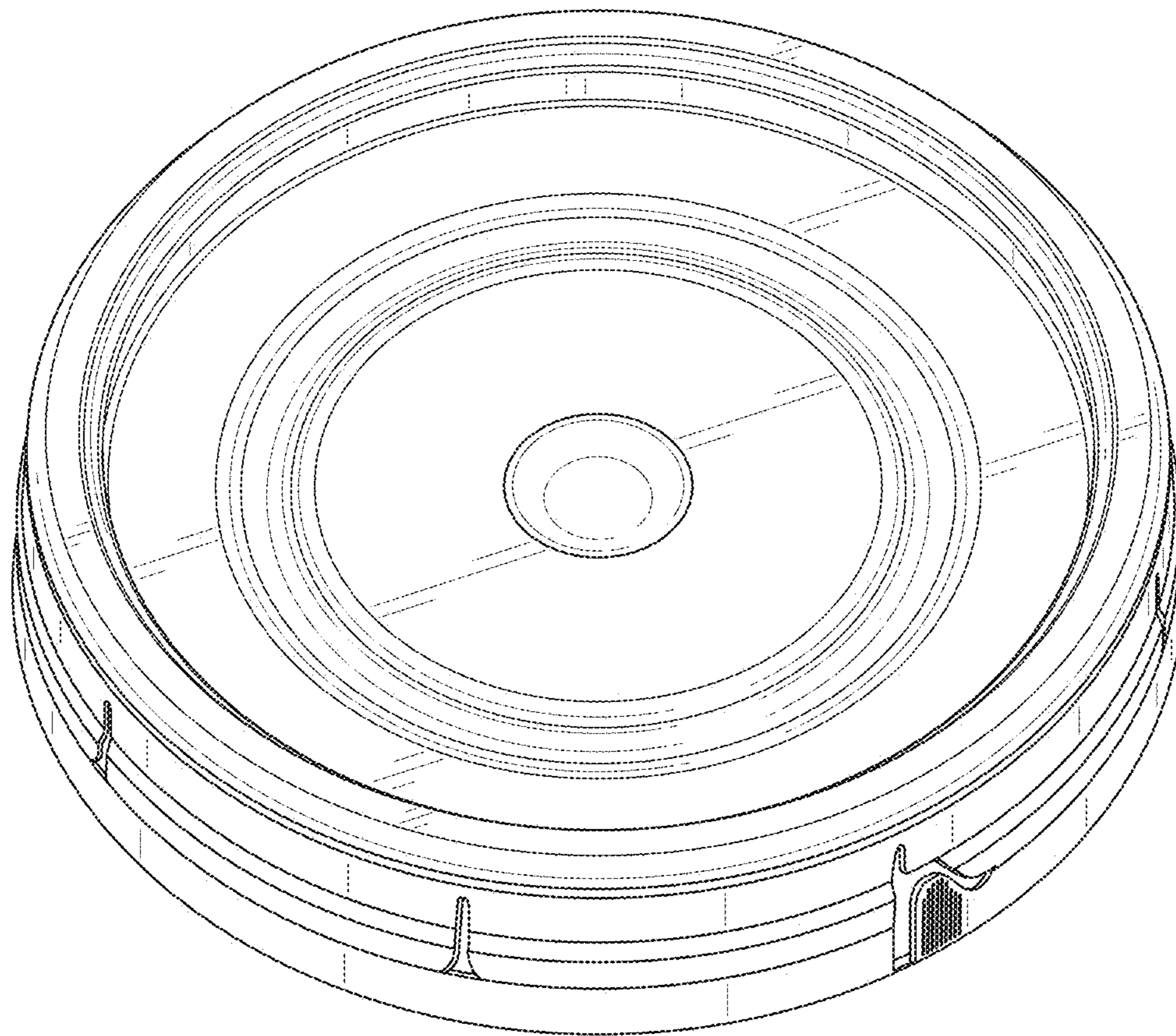


FIG. 8

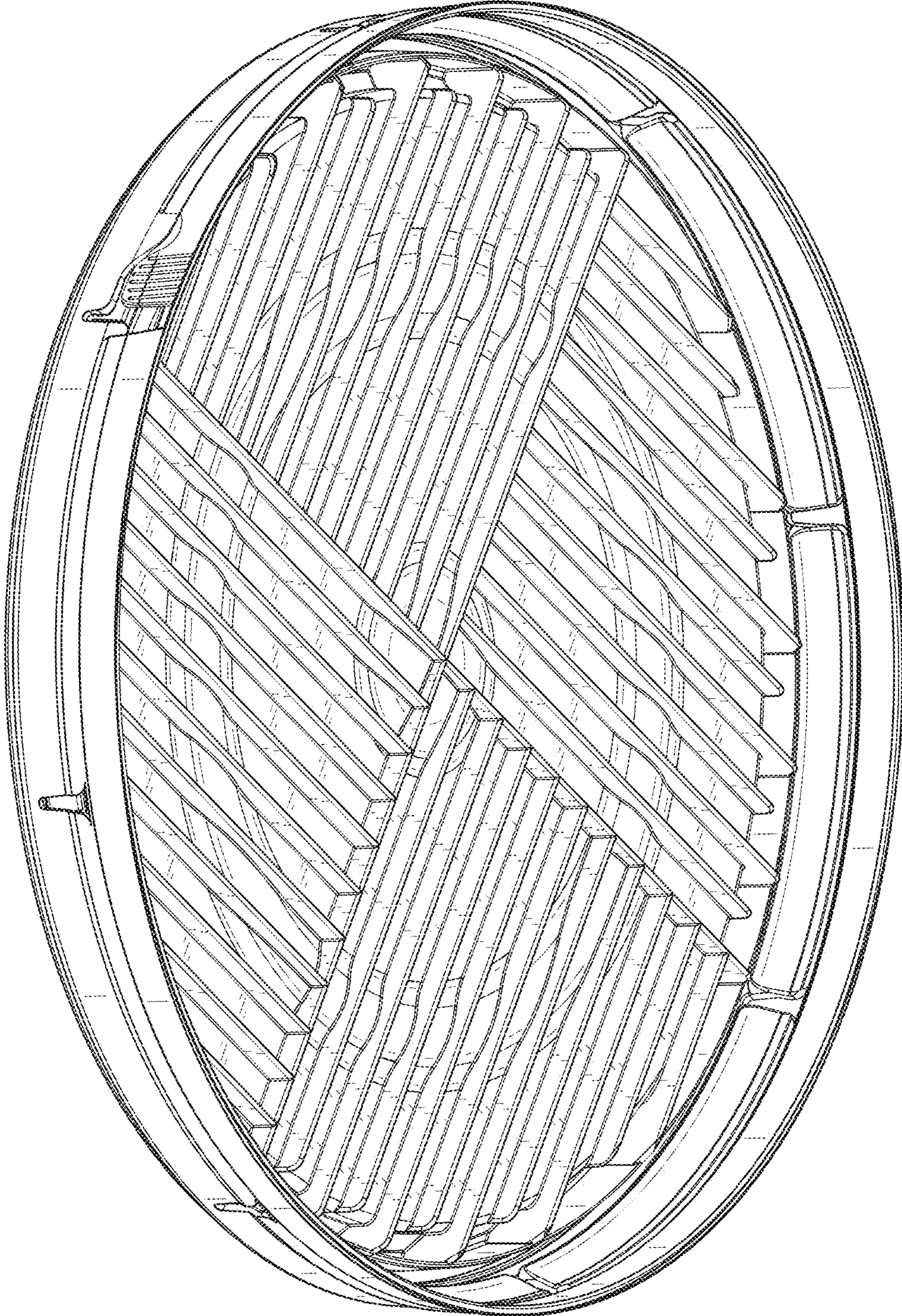


FIG. 9

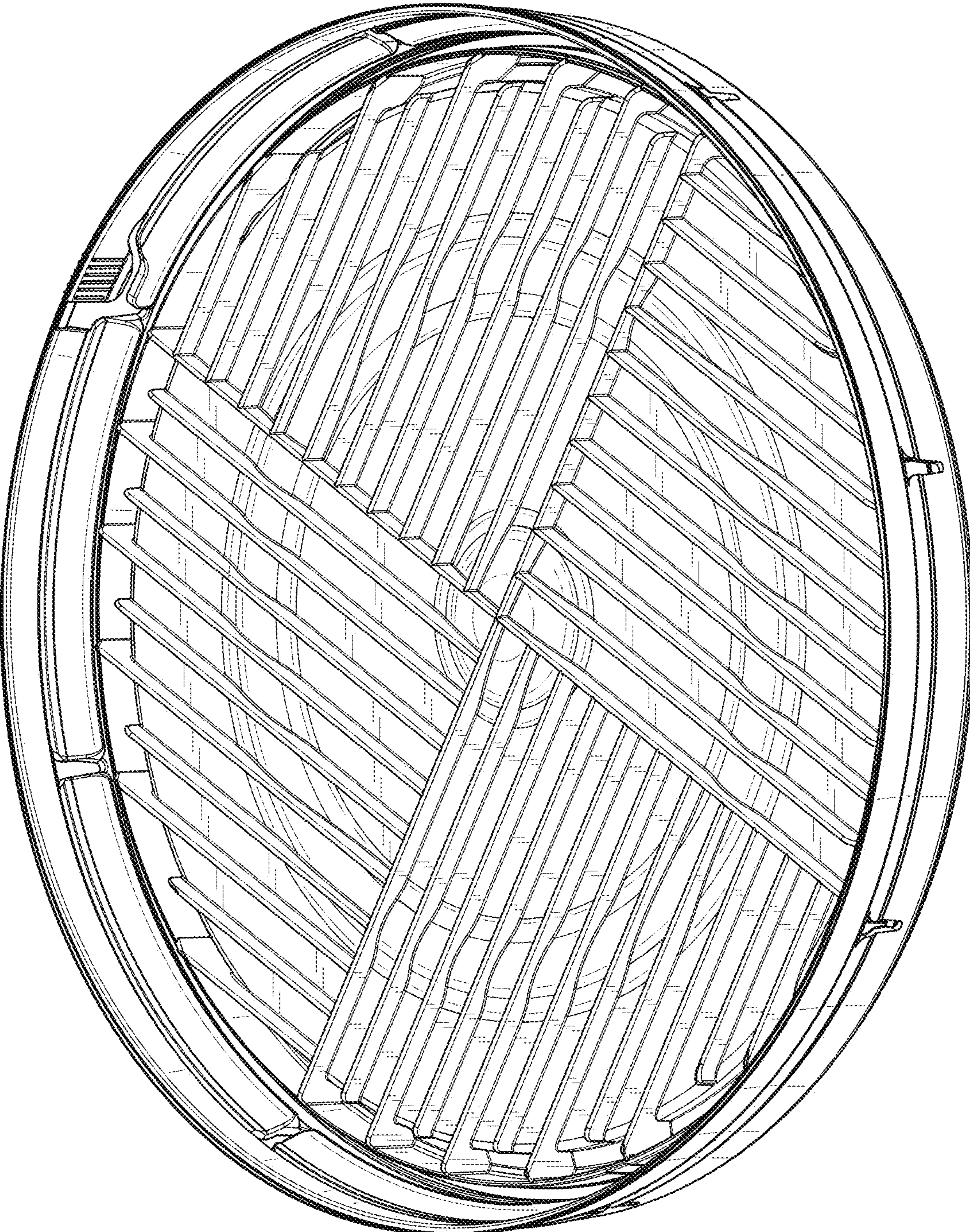


FIG. 10

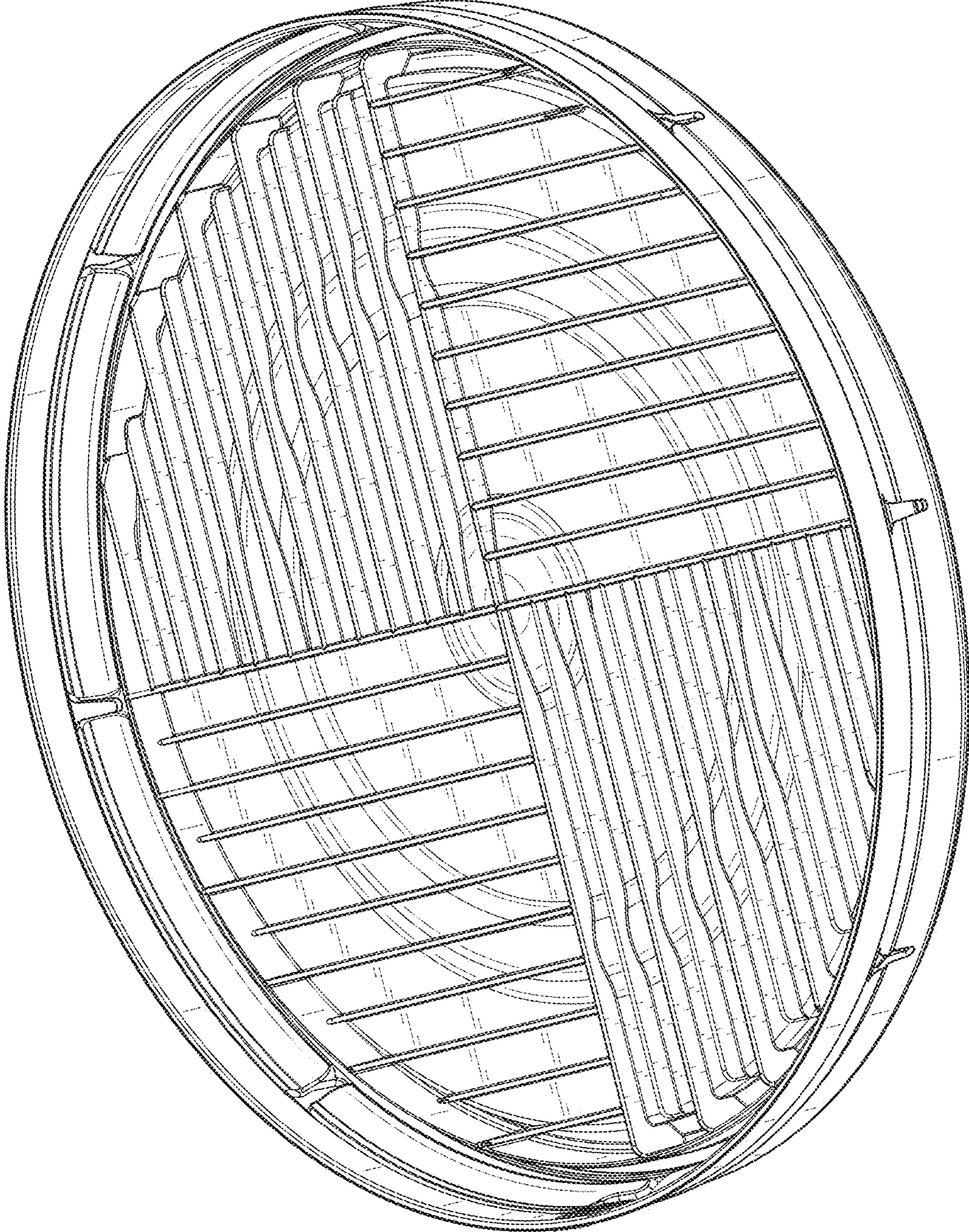


FIG. 11

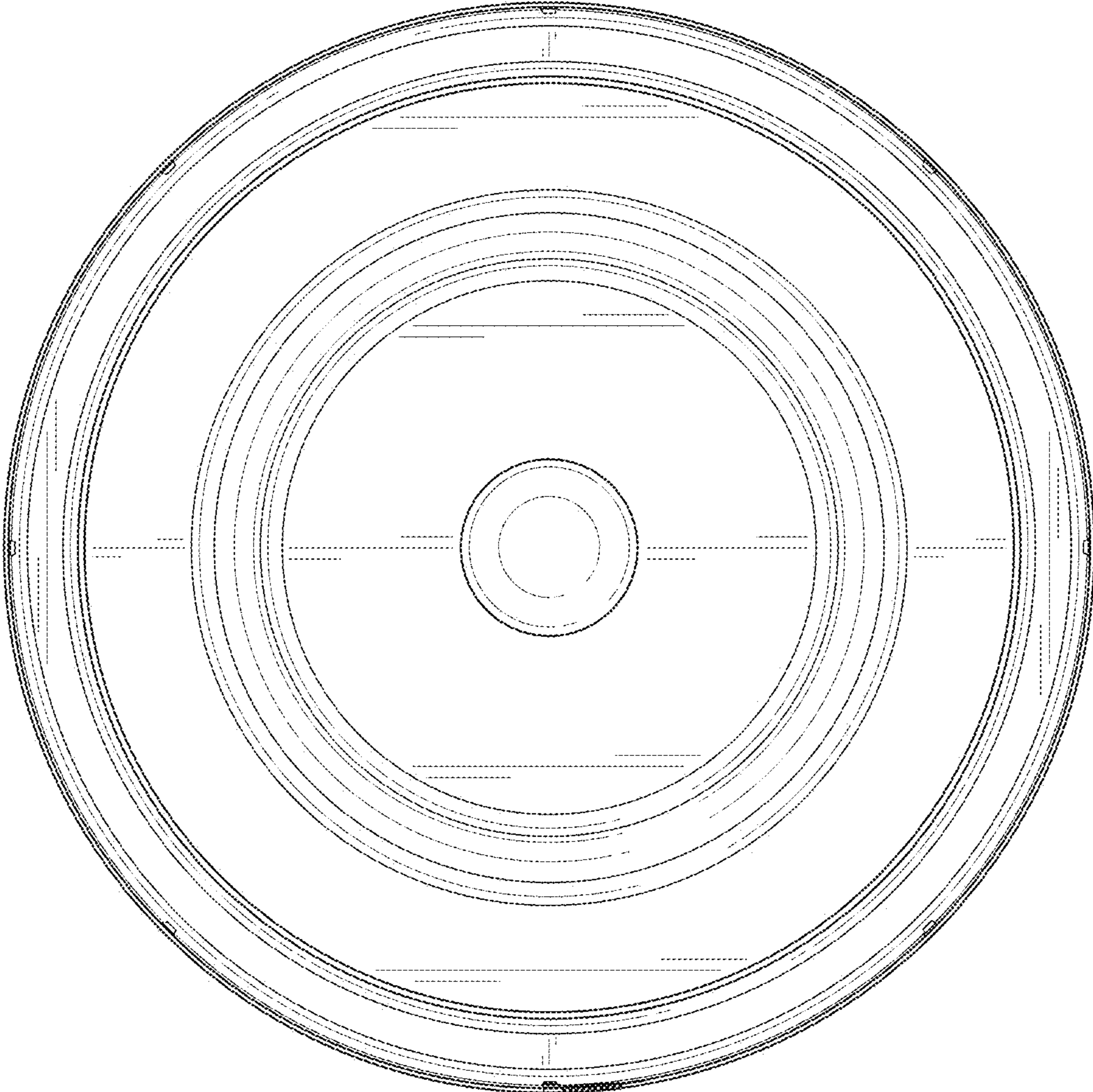


FIG. 12

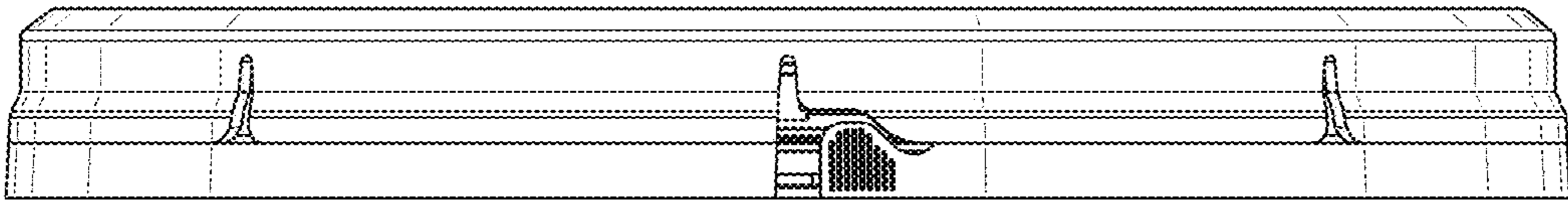


FIG. 13

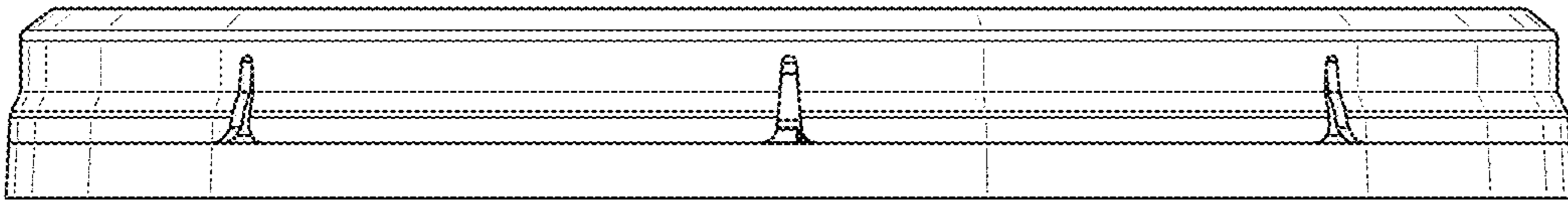


FIG. 14