



US00D928552S

(12) **United States Design Patent**
Kalweit

(10) **Patent No.: US D928,552 S**

(45) **Date of Patent: ** Aug. 24, 2021**

(54) **PASTRY FORMING MACHINE**
(71) Applicant: **Andreas Kalweit**, Krefeld (DE)
(72) Inventor: **Andreas Kalweit**, Krefeld (DE)

3,724,361 A * 4/1973 Schafer A21C 9/063
99/450.6
5,324,185 A * 6/1994 Backus A21C 1/06
425/209

(**) Term: **15 Years**

* cited by examiner

(21) Appl. No.: **35/509,211**

Primary Examiner — Michael A. Pratt

(22) Filed: **Apr. 2, 2020**

(57) **CLAIM**

(80) **Hague Agreement Data**

The ornamental design for a pastry forming machine, as shown and described.

Int. Filing Date: **Apr. 2, 2020**
Int. Reg. No.: **DM/207262**
Int. Reg. Date: **Apr. 2, 2020**
Int. Reg. Pub. Date: **Apr. 24, 2020**

DESCRIPTION

(51) **LOC (13) Cl.** **07-99**

The patent or application file contains at least one drawing executed in color. Copies of this patent or patent application publication with color drawing(s) will be provided by the Office upon request and payment of the necessary fee.

(52) **U.S. Cl.**

USPC **D7/368**

(58) **Field of Classification Search**

USPC D7/368
CPC ... A23P 30/25; A21B 5/00; A21B 3/04; A21B 5/02; A21C 3/04; A21C 11/00; A21C 11/10; A21C 1/06; A21C 9/063

See application file for complete search history.

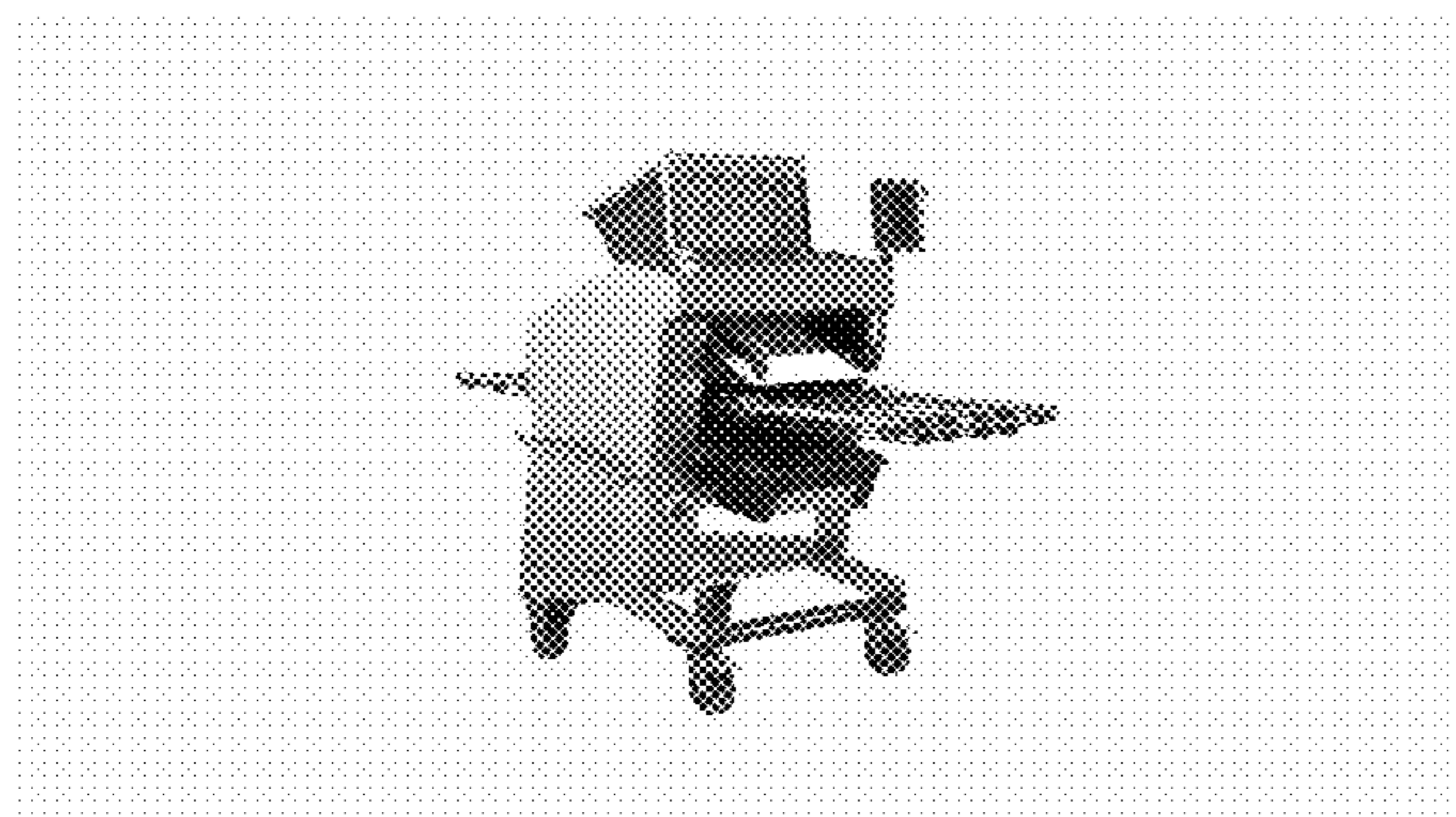
- 1. Pastry forming machine
- 1.1: Front Perspective
- 1.2: Front Perspective
- 1.3: Rear Perspective
- 1.4: Rear Perspective
- 1.5: Left Side
- 1.6: Right Side
- 1.7: Top

(56) **References Cited**

U.S. PATENT DOCUMENTS

2,969,025 A * 1/1961 Schafer A21C 9/063
99/450.1
3,712,165 A * 1/1973 Meyer A21C 11/10
83/289

1 Claim, 7 Drawing Sheets
(7 of 7 Drawing Sheet(s) Filed in Color)



1.1



1.2



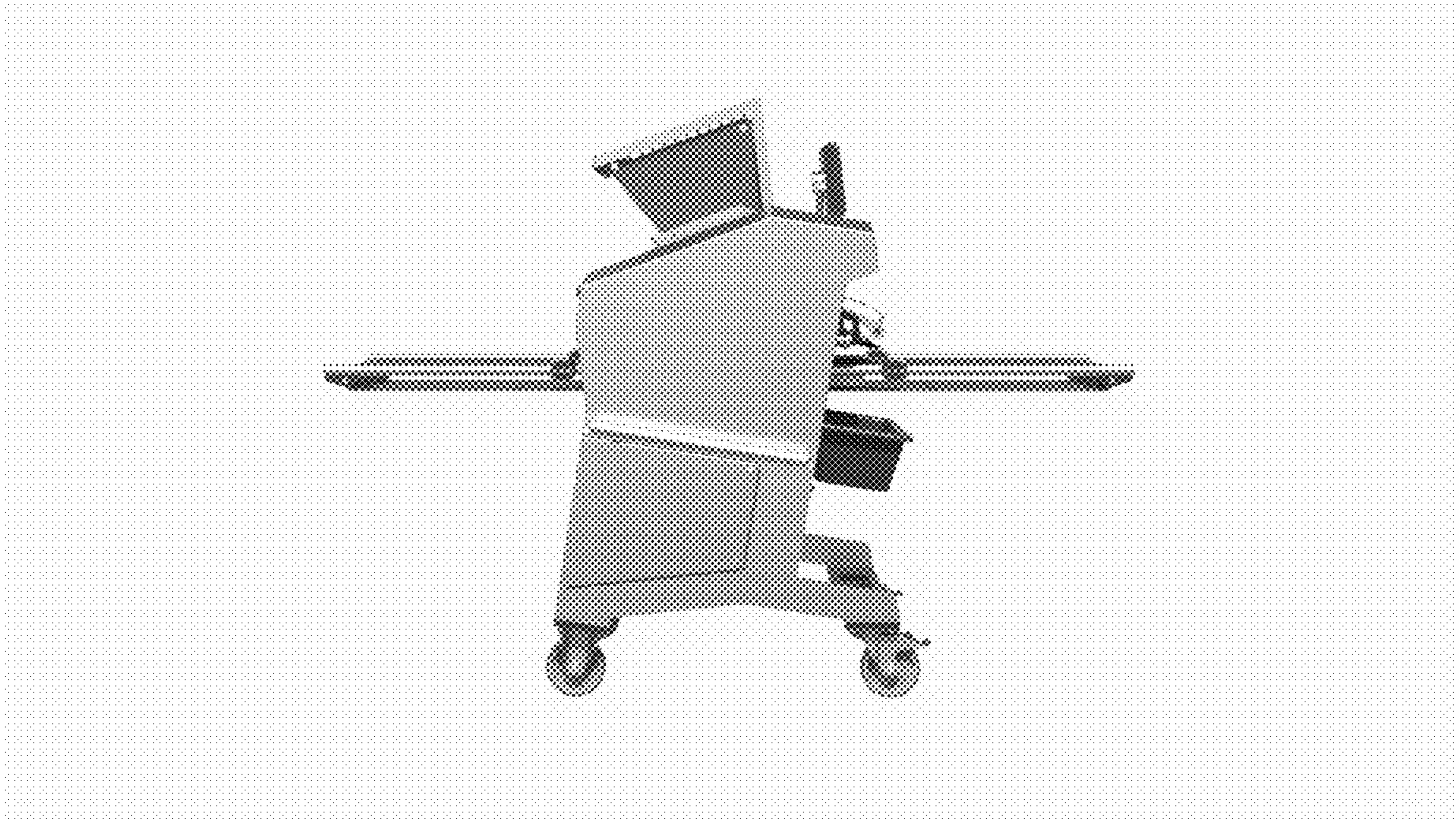
1.3



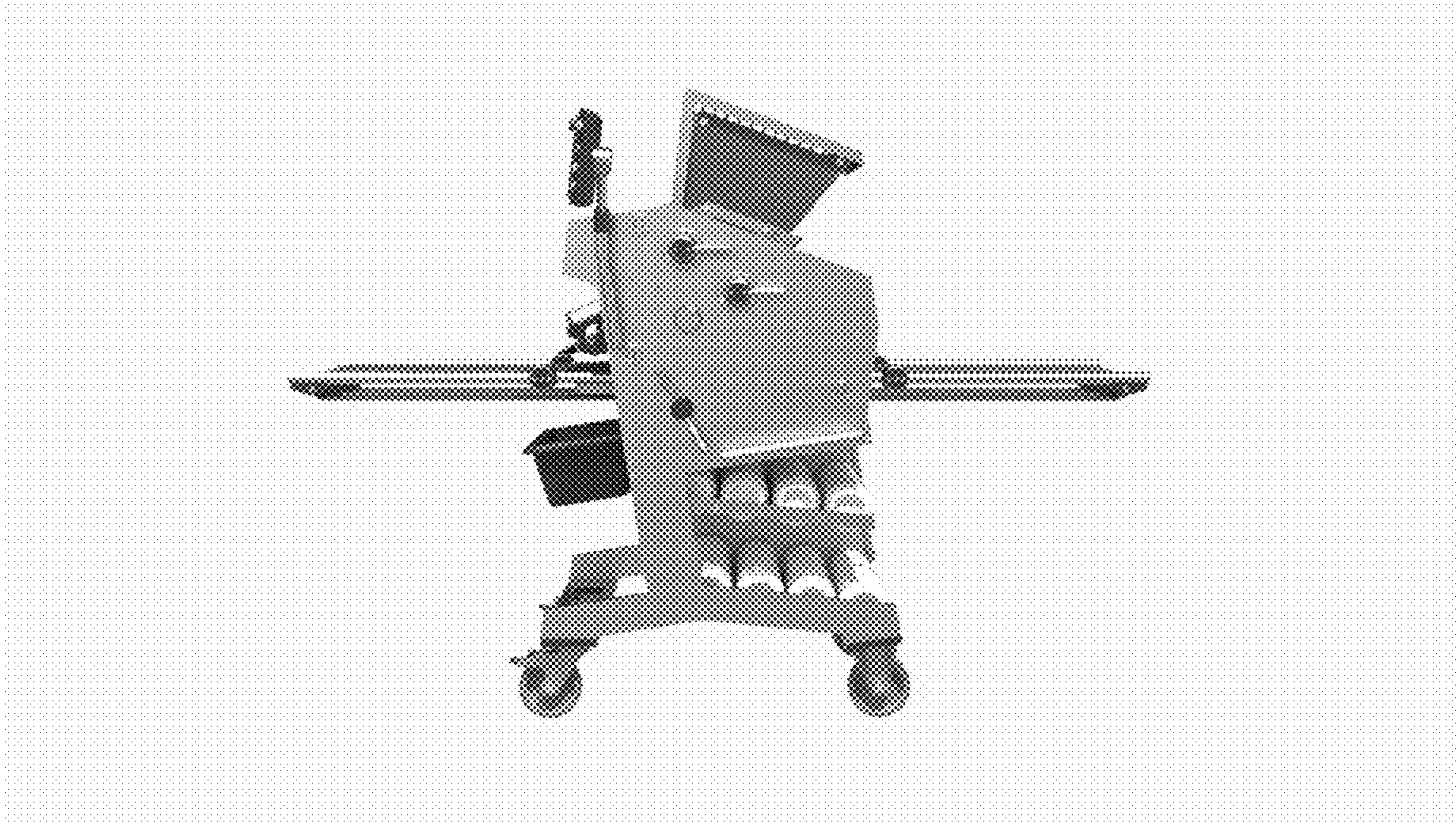
1.4



1.5



1.6



1.7

