



US00D928551S

(12) **United States Design Patent**  
**Sarnoff et al.**

(10) **Patent No.:** **US D928,551 S**

(45) **Date of Patent:** **\*\* Aug. 24, 2021**

(54) **SET OF STACKED PANS WITH LIDS**

(71) Applicant: **HFA, INC.**, Wheeling, IL (US)

(72) Inventors: **Brad Sarnoff**, Highalnd Park, IL (US);  
**Norton Sarnoff**, Boca Raton, IL (US);  
**Raj Patel**, Kildeer, IL (US)

(73) Assignee: **HFA, Inc.**, Wheeling, IL (US)

(\*\*) Term: **15 Years**

(21) Appl. No.: **29/745,121**

(22) Filed: **Aug. 4, 2020**

**Related U.S. Application Data**

(60) Continuation-in-part of application No. 29/708,717,  
filed on Oct. 9, 2019, which is a division of  
(Continued)

(51) **LOC (13) Cl.** ..... **07-02**

(52) **U.S. Cl.**  
USPC ..... **D7/359**

(58) **Field of Classification Search**  
USPC ..... D7/323, 338, 352, 354, 355, 356, 357,  
D7/358, 359, 360, 361, 362, 363, 364,  
(Continued)

(56) **References Cited**

**U.S. PATENT DOCUMENTS**

3,021,990 A \* 2/1962 Duskey ..... B65D 21/0233  
206/519  
D321,809 S \* 11/1991 Zobrist ..... D7/359  
(Continued)

**FOREIGN PATENT DOCUMENTS**

JP 09051853 2/1997

**OTHER PUBLICATIONS**

Full Curl Packaging, announced © 2018 [online], retrieved Oct. 23,  
2020, retrieved from internet, <https://www.handi-foil.com/hfa/full-curl/>.\*

(Continued)

*Primary Examiner* — Dana K Weiland

*Assistant Examiner* — Messina L Smith

(74) *Attorney, Agent, or Firm* — Adam K. Sacharoff;  
Much Shelist, P.C.

(57) **CLAIM**

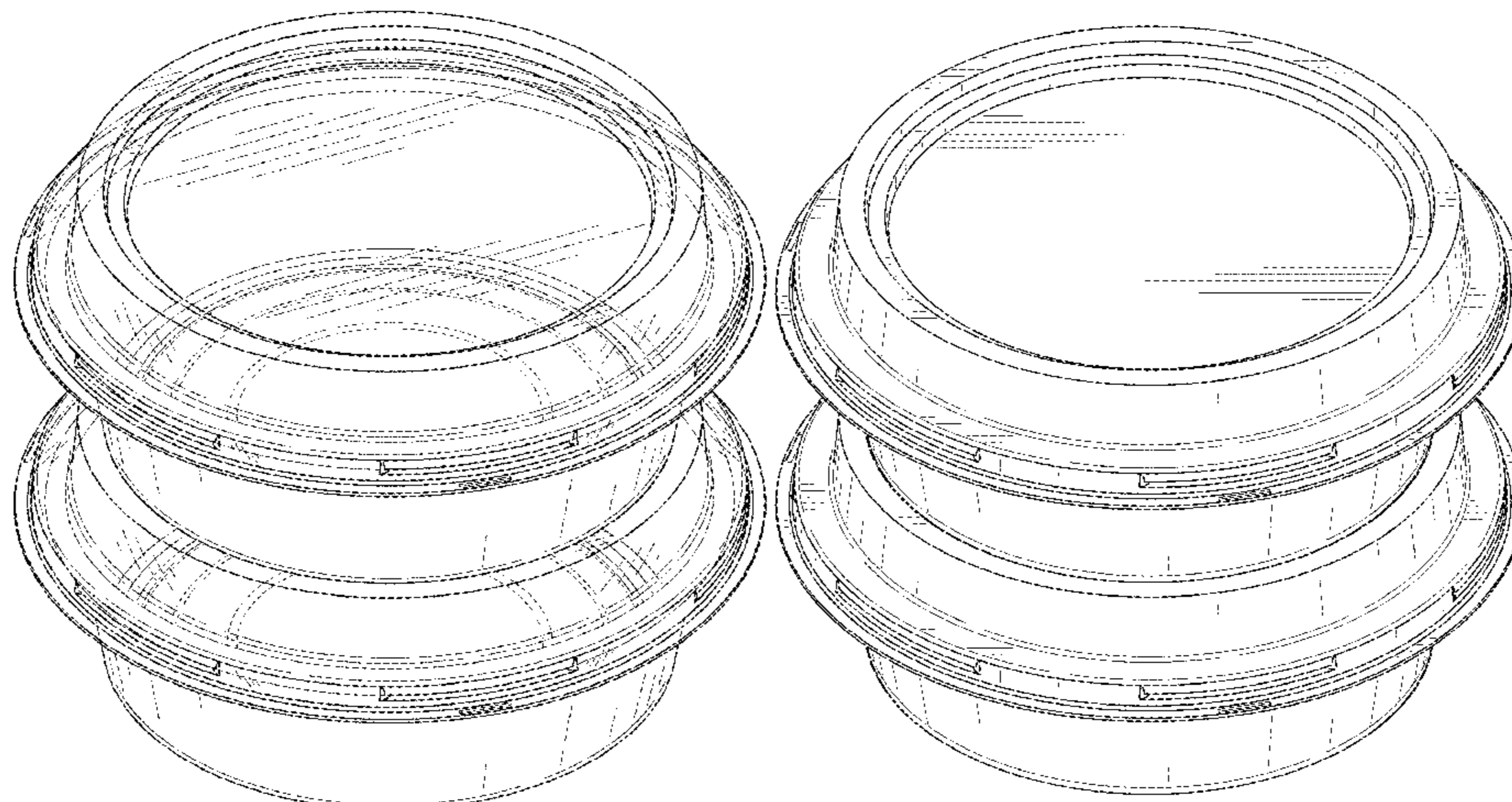
The ornamental design for set of stacked pans with lids, as  
shown and described.

**DESCRIPTION**

FIG. 1 is a front, side, perspective view of a set of stacked  
pans with lids showing the new design in a first embodiment;  
FIG. 2 is a cross-section view of the set of stacked pans with  
lids taken in the direction of line 2-2 of FIG. 7;  
FIG. 3 is a left side view of the set of stacked pans with lids;  
FIG. 4 is a right side view thereof;  
FIG. 5 is a front view thereof;  
FIG. 6 is a rear side view thereof;  
FIG. 7 is a top plan view thereof;  
FIG. 8 is a bottom plan view thereof;  
FIG. 9 is a bottom perspective view thereof;  
FIG. 10 is a front, side, perspective view of the set of stacked  
pans with lids shown in a second embodiment;  
FIG. 11 is a cross-section view of the set of stacked pans  
with lids taken in the direction of line 11-11 of FIG. 16;  
FIG. 12 is a left side view of the set of stacked pans with lids;  
FIG. 13 is a right side view thereof;  
FIG. 14 is a front view thereof;  
FIG. 15 is a rear side view thereof;  
FIG. 16 is a top plan view thereof;  
FIG. 17 is a bottom plan view thereof; and,  
FIG. 18 is a bottom perspective view thereof.

The broken lines illustrate portions of the pans that form no  
part of the claimed design. The surface shading lines show  
contour and/or distinguish between areas and form no part of  
the claimed design. The surface shading lines are not surface  
ornamentation.

**1 Claim, 18 Drawing Sheets**



**Related U.S. Application Data**

application No. 29/641,313, filed on Mar. 21, 2018, now Pat. No. Des. 876,880.

(58) **Field of Classification Search**

USPC ..... D7/365, 366, 367, 402, 407, 409; D9/736, 749, 755, 758, 760, 456  
 CPC .. A21B 3/00; A21B 3/13; A21B 3/131; A21B 3/132; A21B 3/135; A21B 3/136; A21B 3/137; A21B 3/15; A21B 5/00; A21B 5/02; A21B 5/04; A47J 27/00; A47J 36/00; A47J 36/02; A47J 36/06; A47J 36/16; A47J 36/24; A47J 36/022; A47J 36/027; A47J 37/00; A47J 37/01; A47J 37/04; A47J 37/06; A47J 37/10; A47J 37/07; A47J 37/0781; A47J 43/20

See application file for complete search history.

(56) **References Cited**

U.S. PATENT DOCUMENTS

D391,479 S \* 3/1998 Poitras ..... D9/429  
 D391,850 S \* 3/1998 Krupa ..... D9/425  
 D415,420 S 10/1999 Chen  
 D450,580 S 11/2001 Littlejohn  
 D475,621 S 6/2003 Buchalski  
 7,055,712 B2 6/2006 Tang  
 D549,050 S \* 8/2007 Spencer ..... D7/538  
 D554,316 S \* 10/2007 Brothers ..... D30/129  
 D594,324 S 6/2009 Colacitti  
 D594,325 S 6/2009 Colacitti  
 D594,326 S 6/2009 Colacitti  
 D598,744 S 8/2009 Shields  
 D606,368 S 12/2009 Wu  
 D646,925 S \* 10/2011 Okajima ..... D7/402  
 D680,861 S 4/2013 Chen

D681,449 S 5/2013 Snedden  
 D807,704 S 1/2018 Epstein  
 D819,392 S 6/2018 Mattei  
 D820,027 S 6/2018 Weernink  
 D830,110 S 10/2018 Mirchandani  
 D838,585 S 1/2019 Kui  
 D854,381 S 7/2019 Yang  
 D871,834 S \* 1/2020 Sarnoff ..... D7/392.1  
 D876,880 S \* 3/2020 Sarnoff ..... D7/359  
 D878,140 S \* 3/2020 Peretz ..... D7/354  
 2002/0175171 A1 11/2002 Stewart  
 2007/0034161 A1 2/2007 Thompson  
 2008/0210101 A1 \* 9/2008 Vovan ..... A47J 36/027  
 99/410  
 2014/0238997 A1 \* 8/2014 Sarnoff ..... A47J 47/14  
 220/573.1

OTHER PUBLICATIONS

Handi-Foil 846COMBO 48 oz Snap 'N Stack™ Foil Containers w/ Snap On Dome Lids, announced © 2001-2020 [online], retrieved Oct. 23, 2020, retrieved from internet, <https://www.katom.com/428-846COMBO.html>.\*

“No More Crimping!” Published Ad, announced © 2018 [online], retrieved Oct. 23, 2020, retrieved from internet, <https://www.handi-foil.com/hfa/2017/02/03/recently-published-no-crimping-ad/>.\*

Jetfoil Round Disposable Aluminum Foil Pans with Clear Plastic Lids, reviewed Jul. 4, 2016 [online], retrieved Sep. 11, 2019, retrieved from internet, see Quayle Action for full website address.

Durable Packaging 8" Round Aluminum Foil Take-Out, reviewed May 16, 2017 [online], retrieved Sep. 11, 2019, retrieved from internet, <https://www.amazon.com/Durable-Packaging-Round-Aluminum-Take-Out/dp/B01JH4GVCU>.

U.S. Office Action, Copending U.S. Appl. No. 29/641,313; dated Sep. 19, 2019.

\* cited by examiner



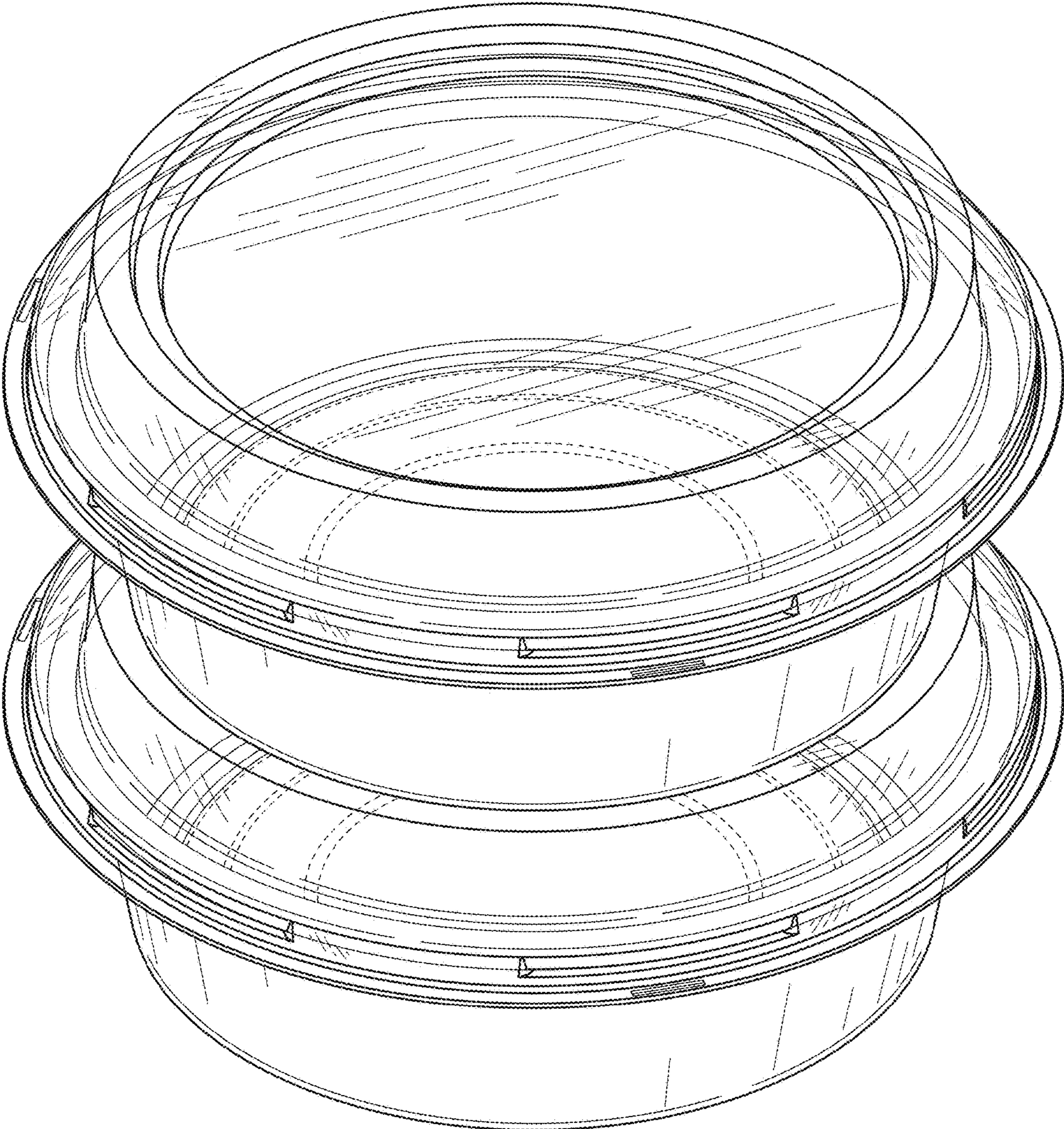


FIG. 1

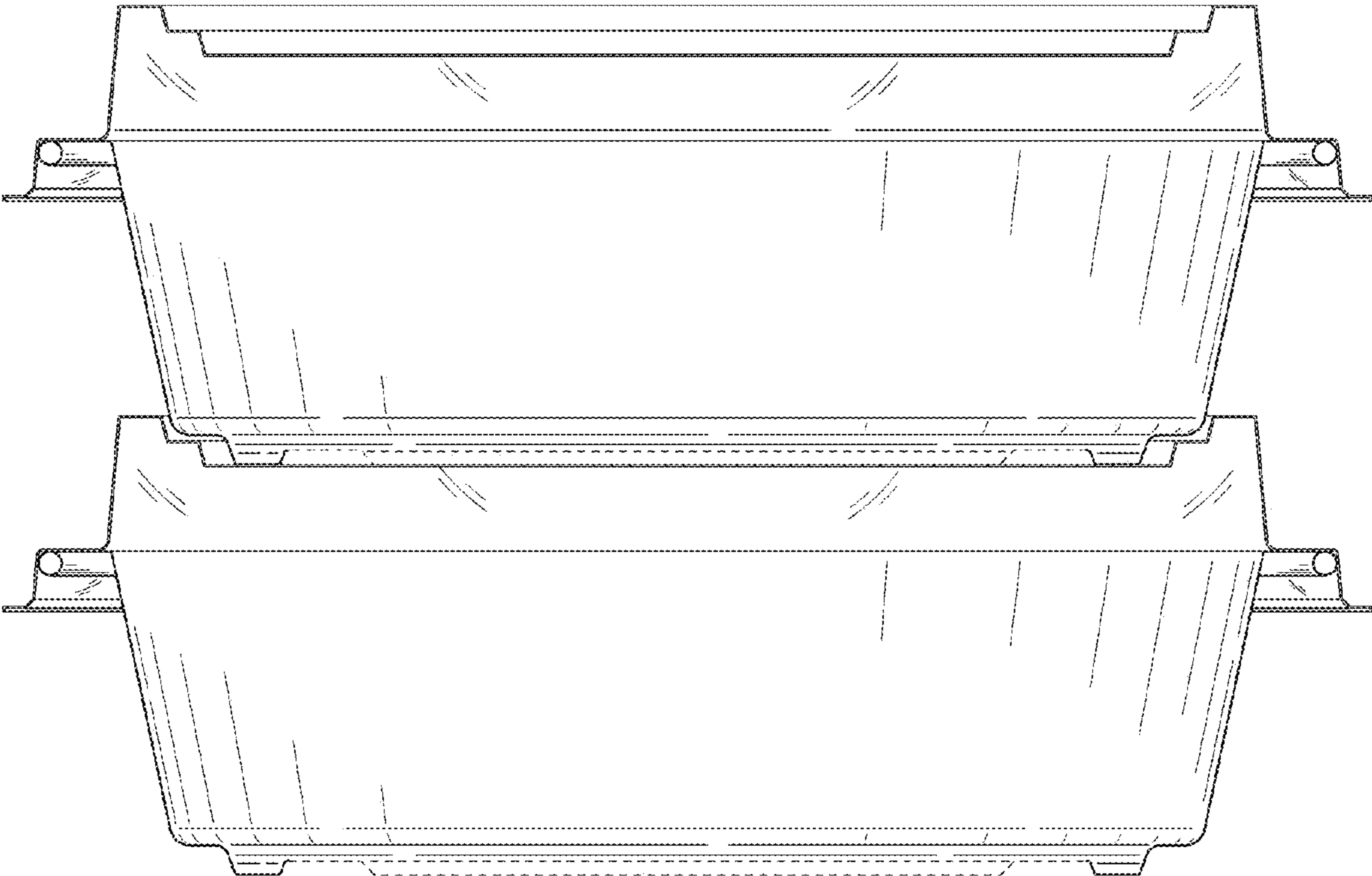


FIG. 2

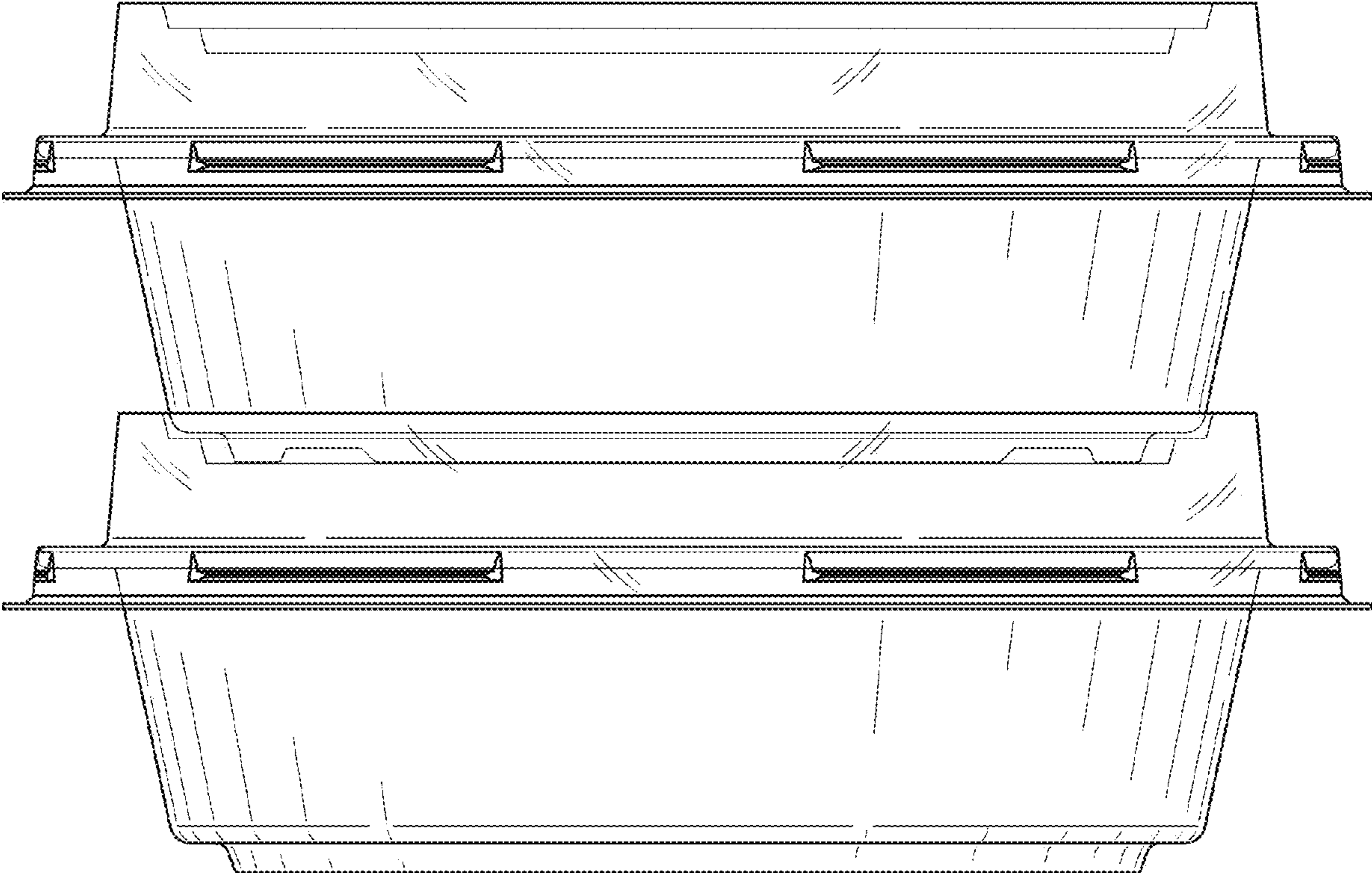


FIG. 3

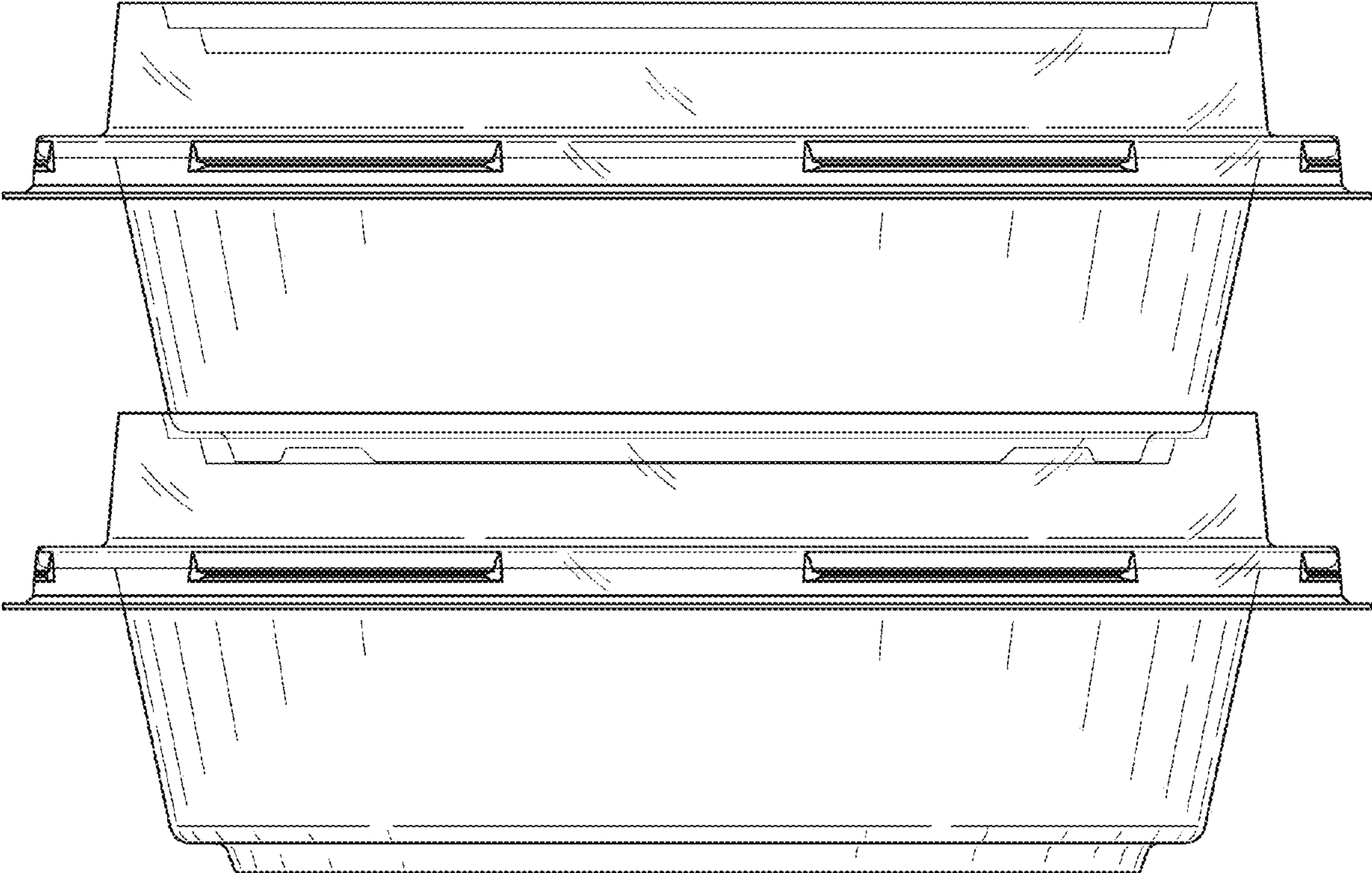


FIG. 4



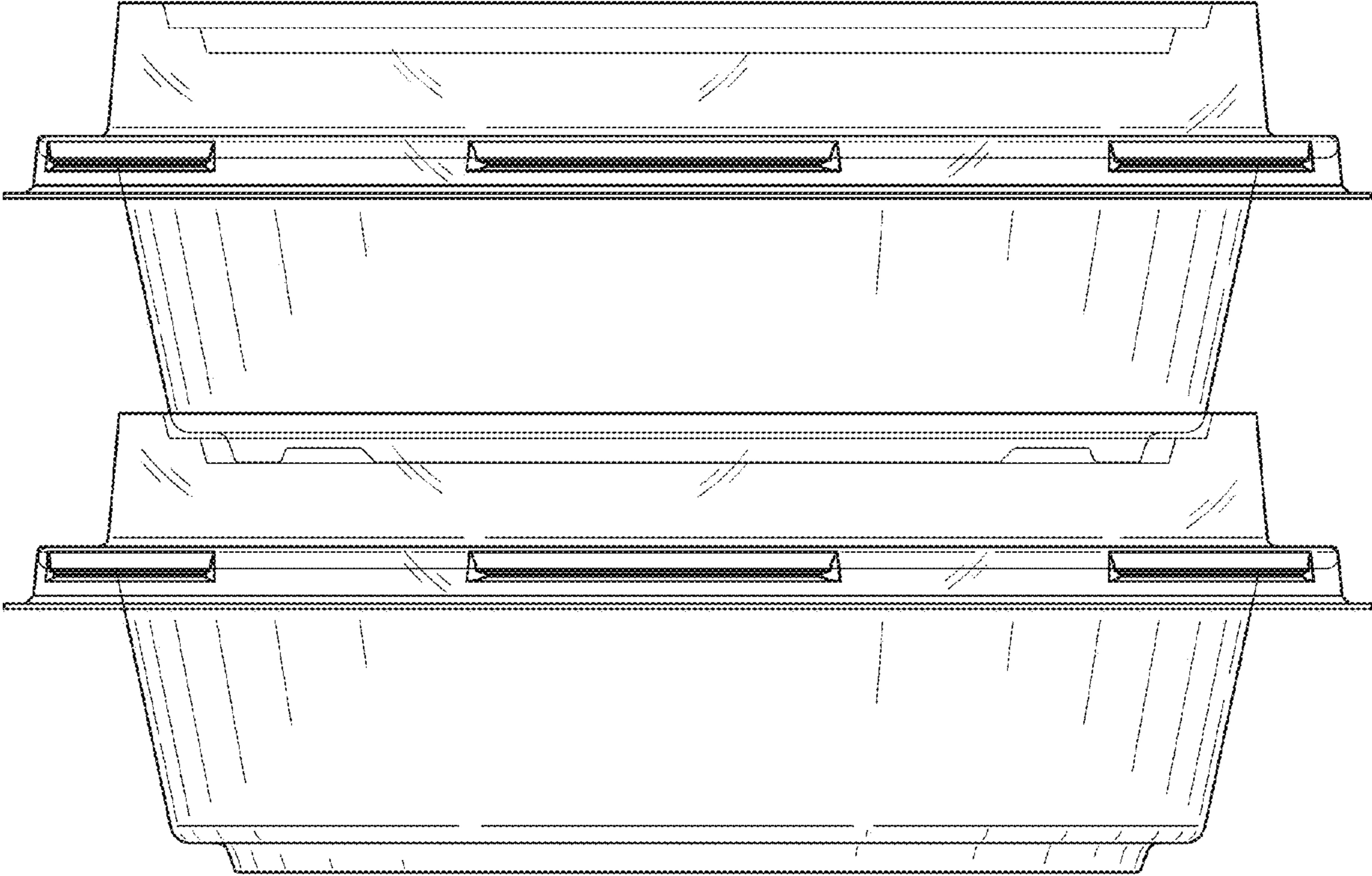


FIG. 5

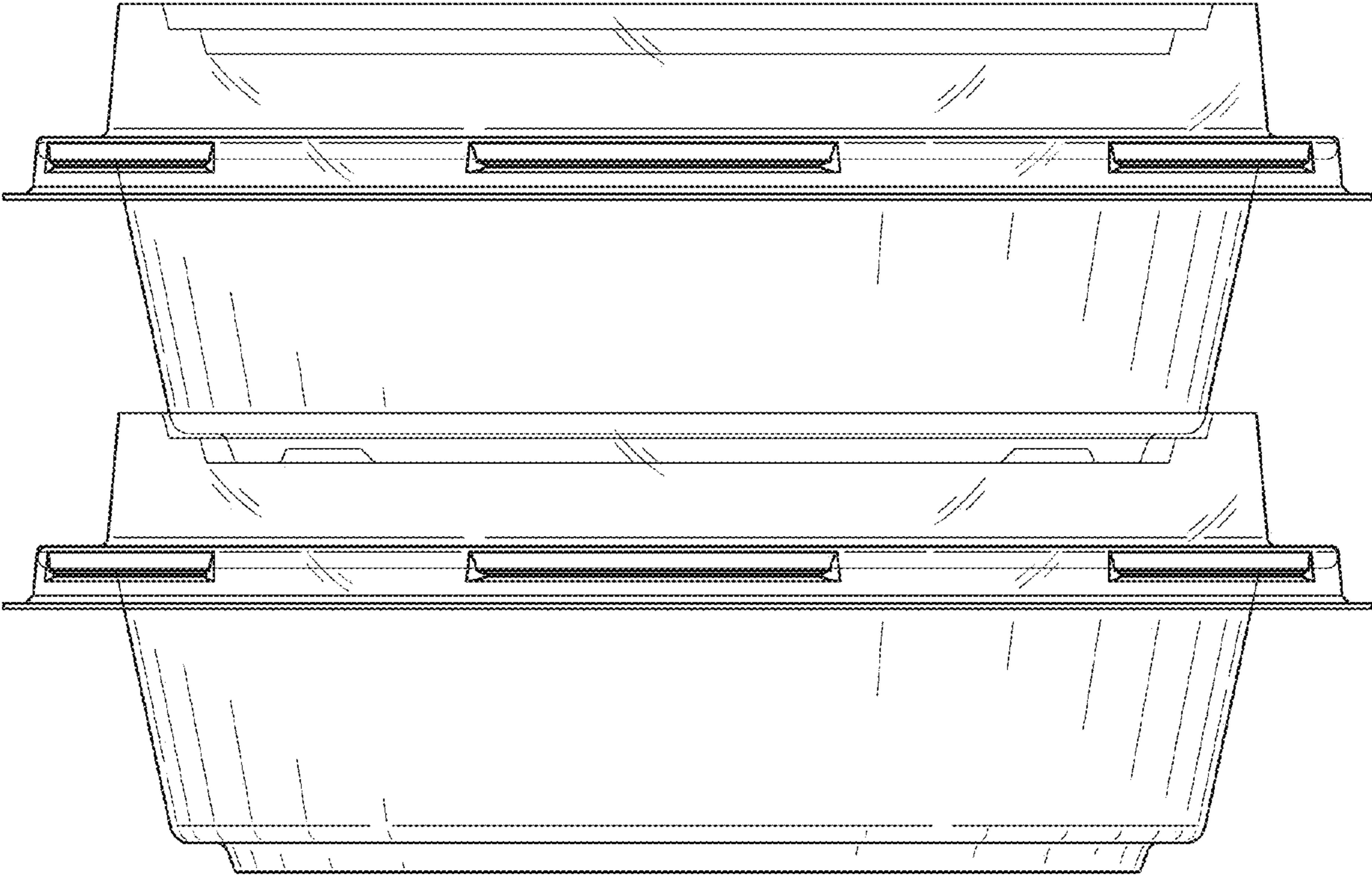


FIG. 6



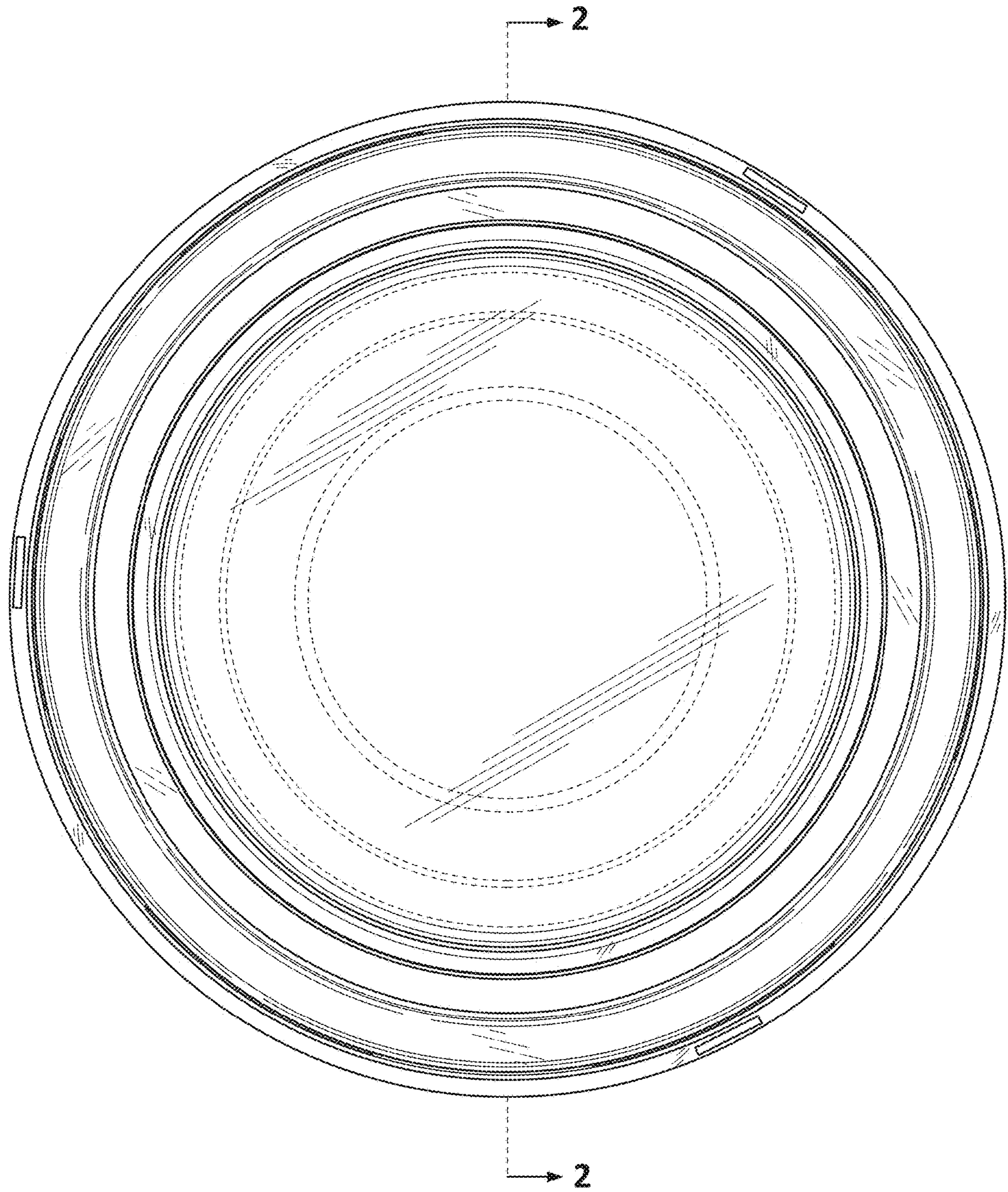


FIG. 7

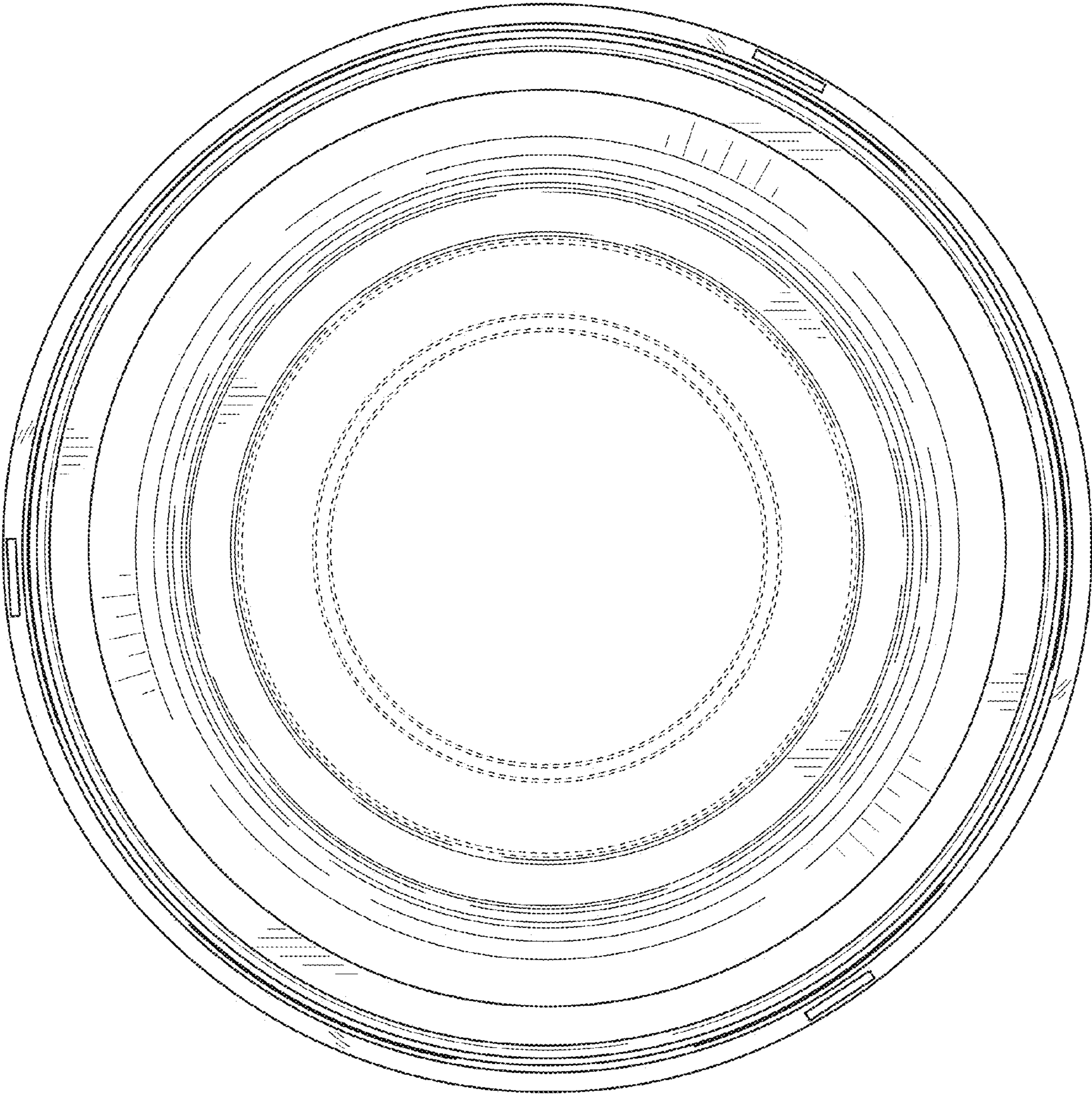


FIG. 8



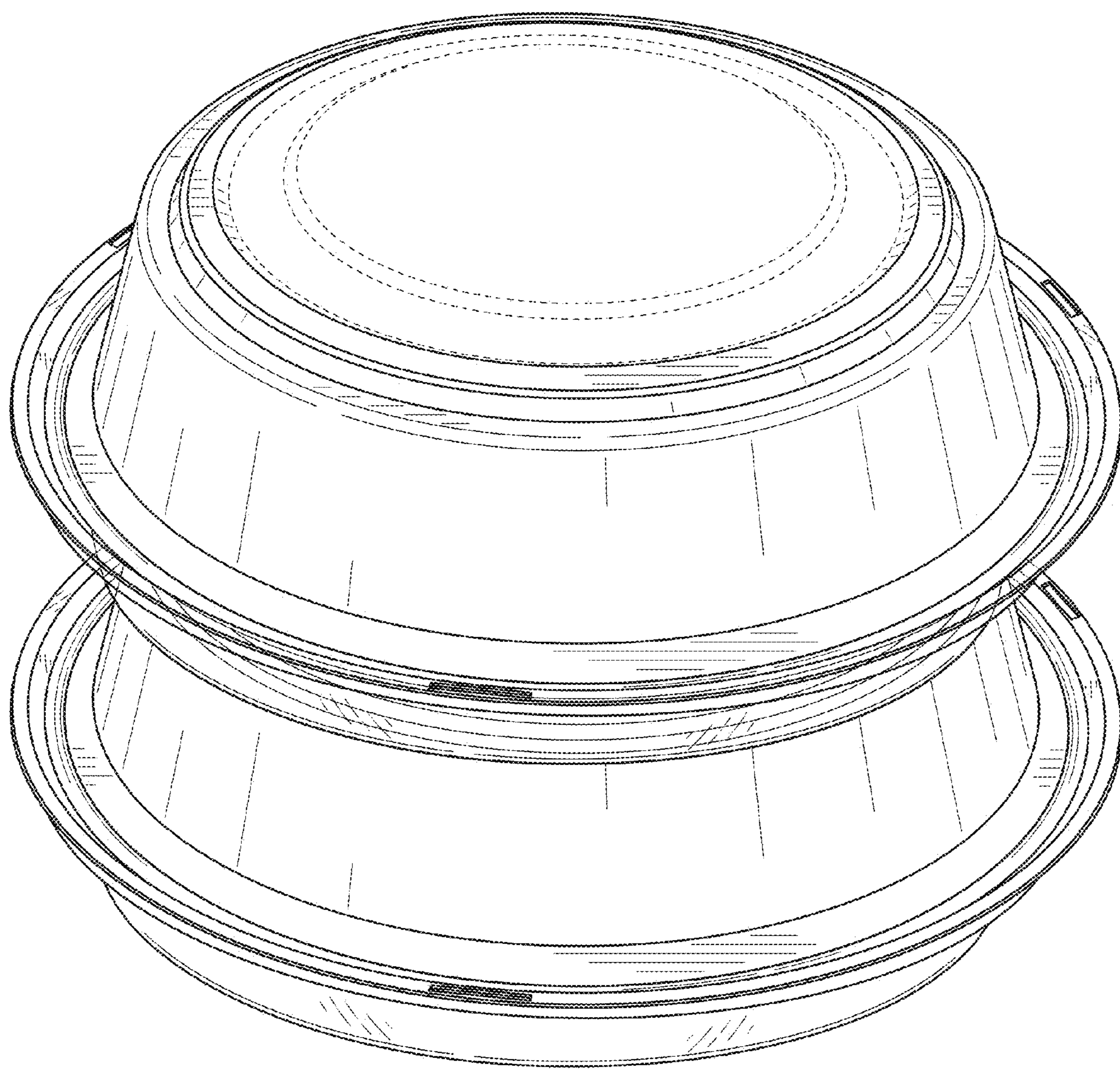


FIG. 9



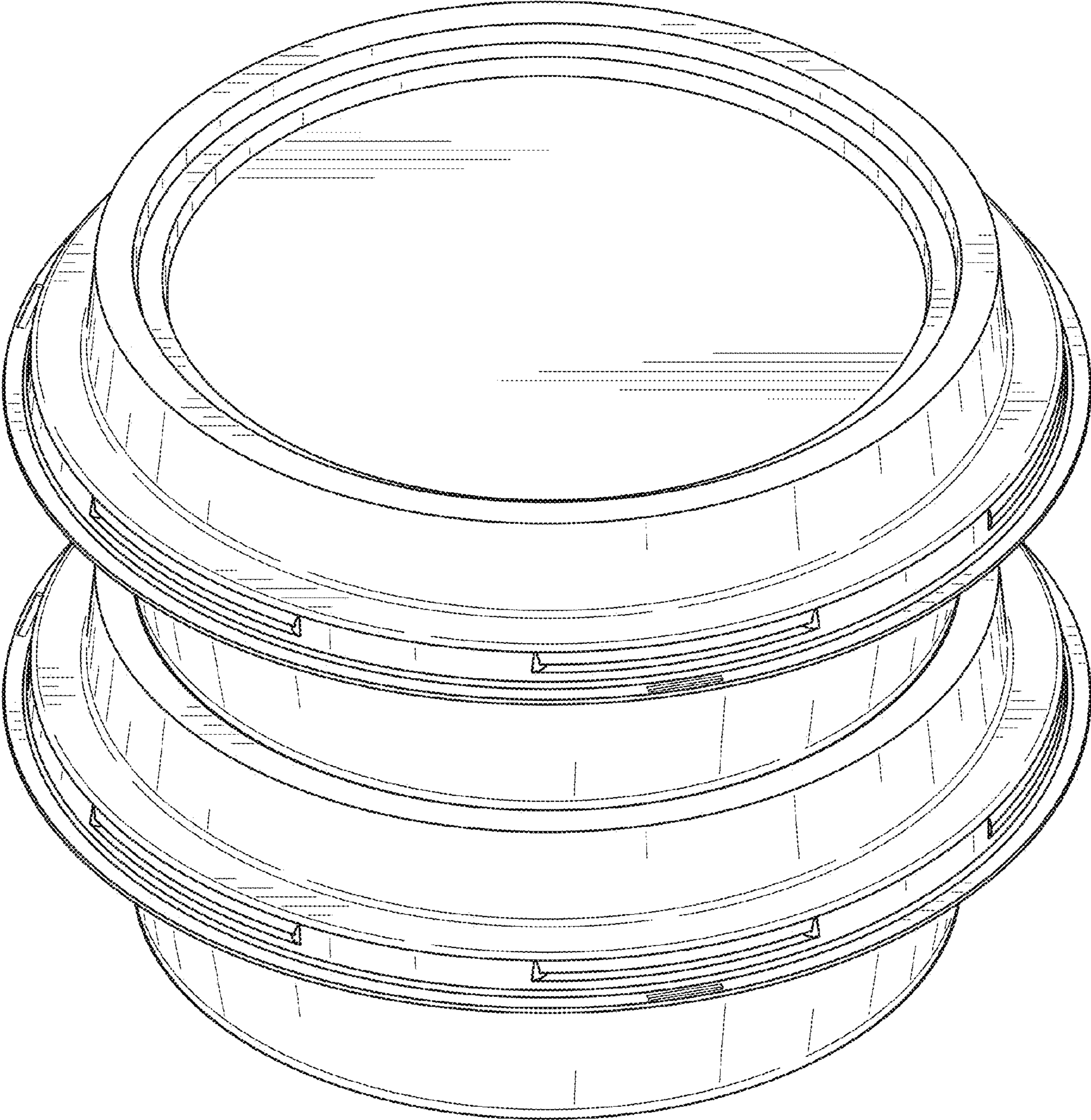


FIG. 10

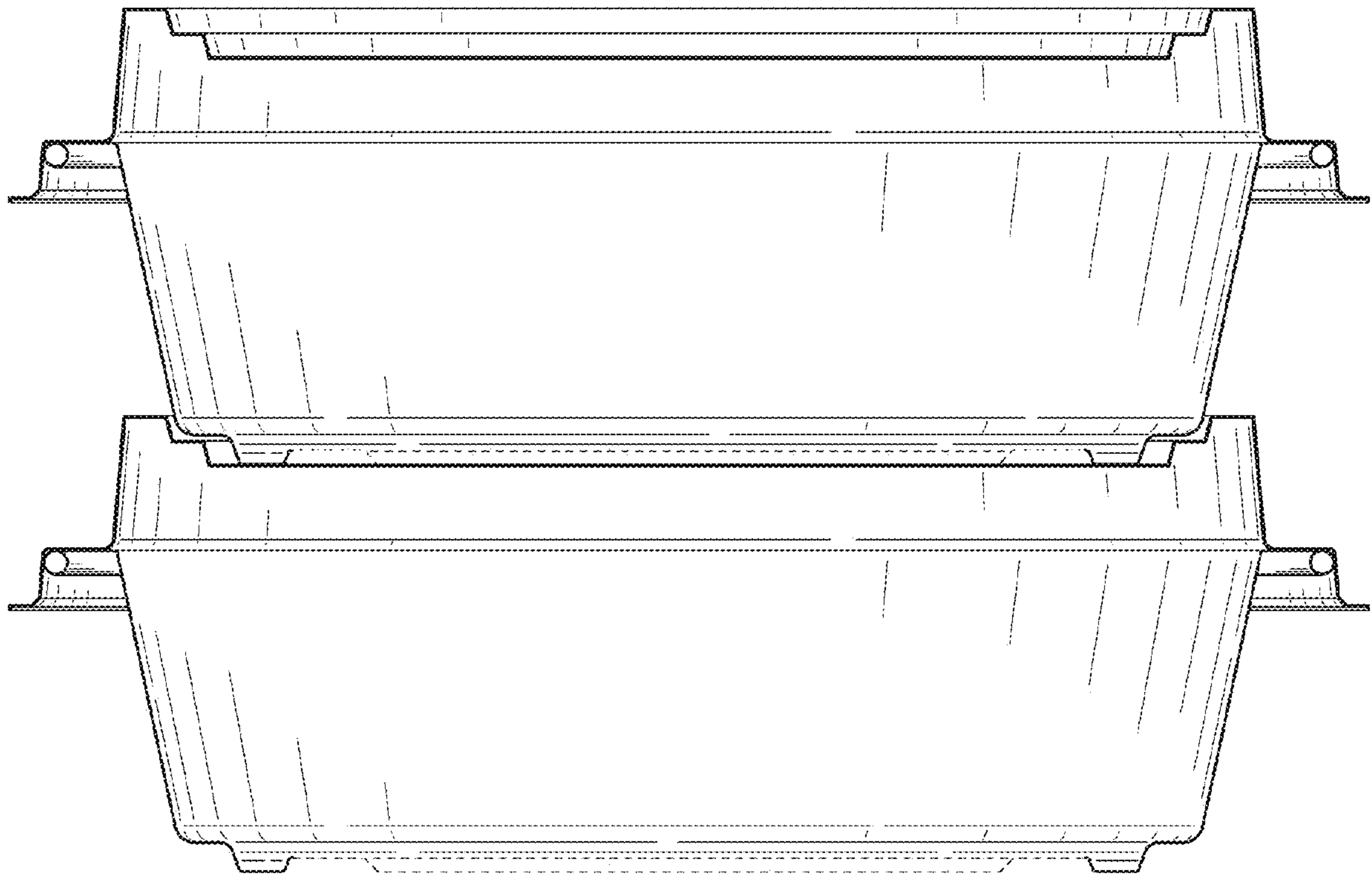


FIG. 11

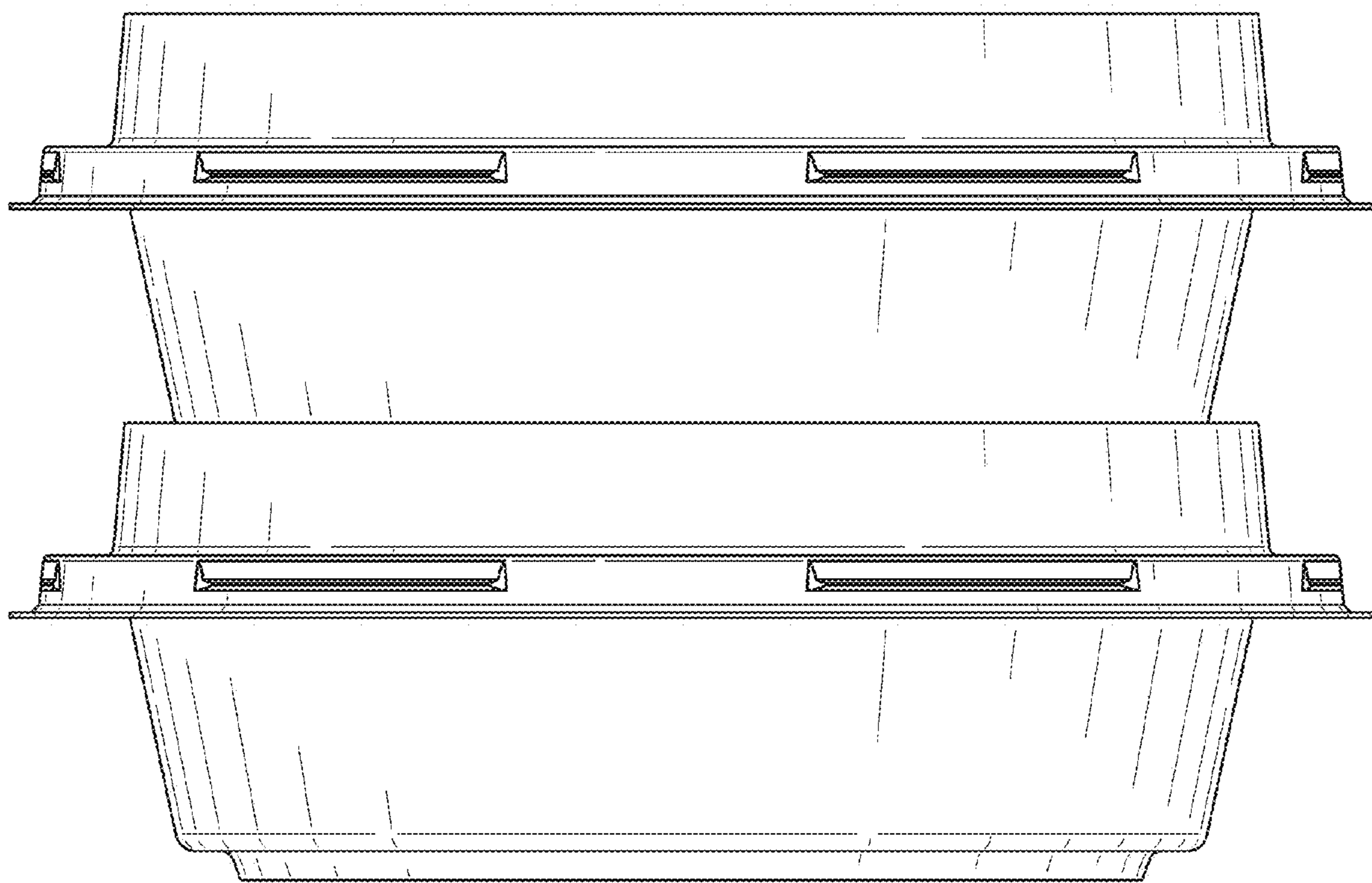


FIG. 12



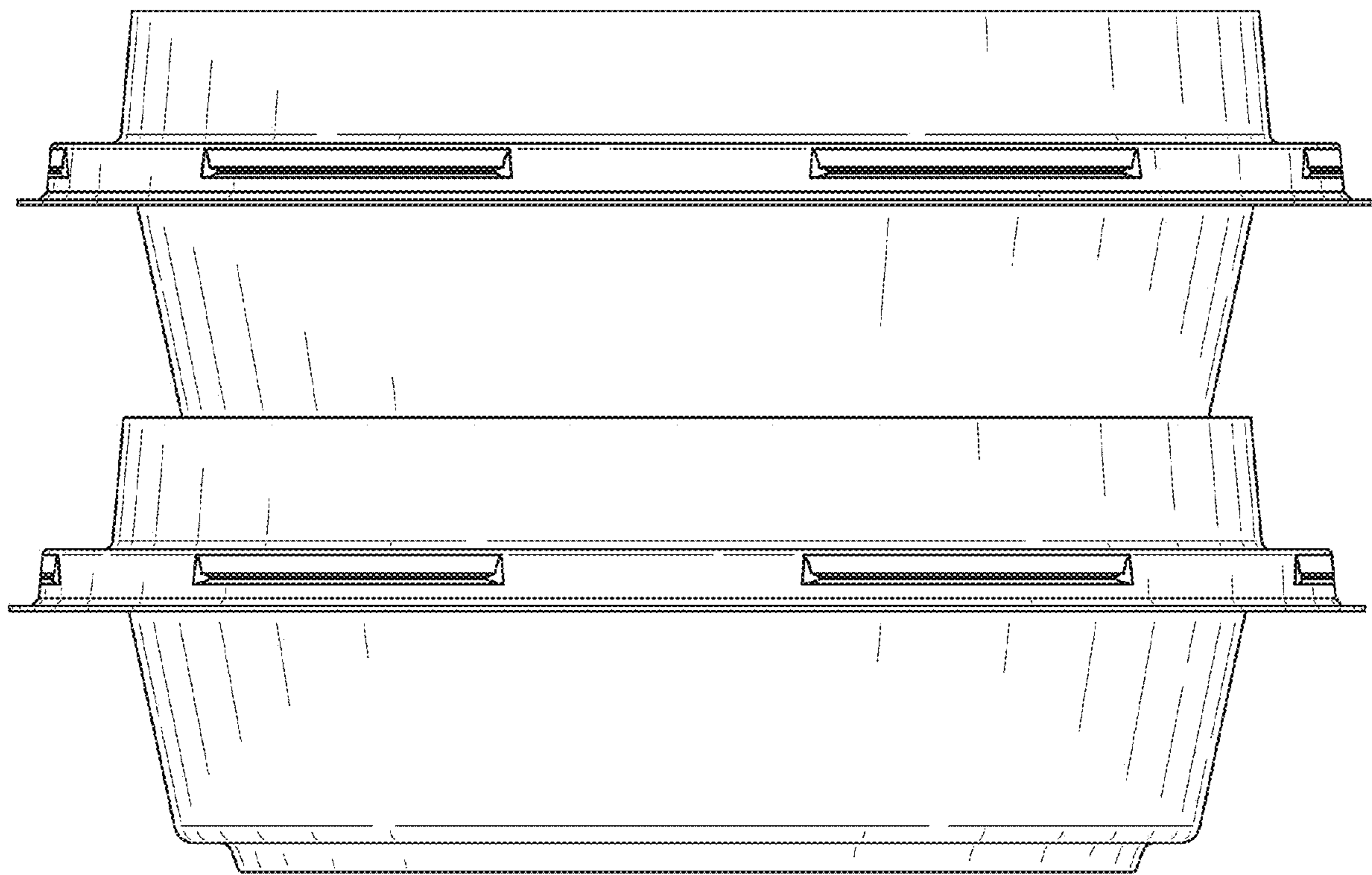


FIG. 13

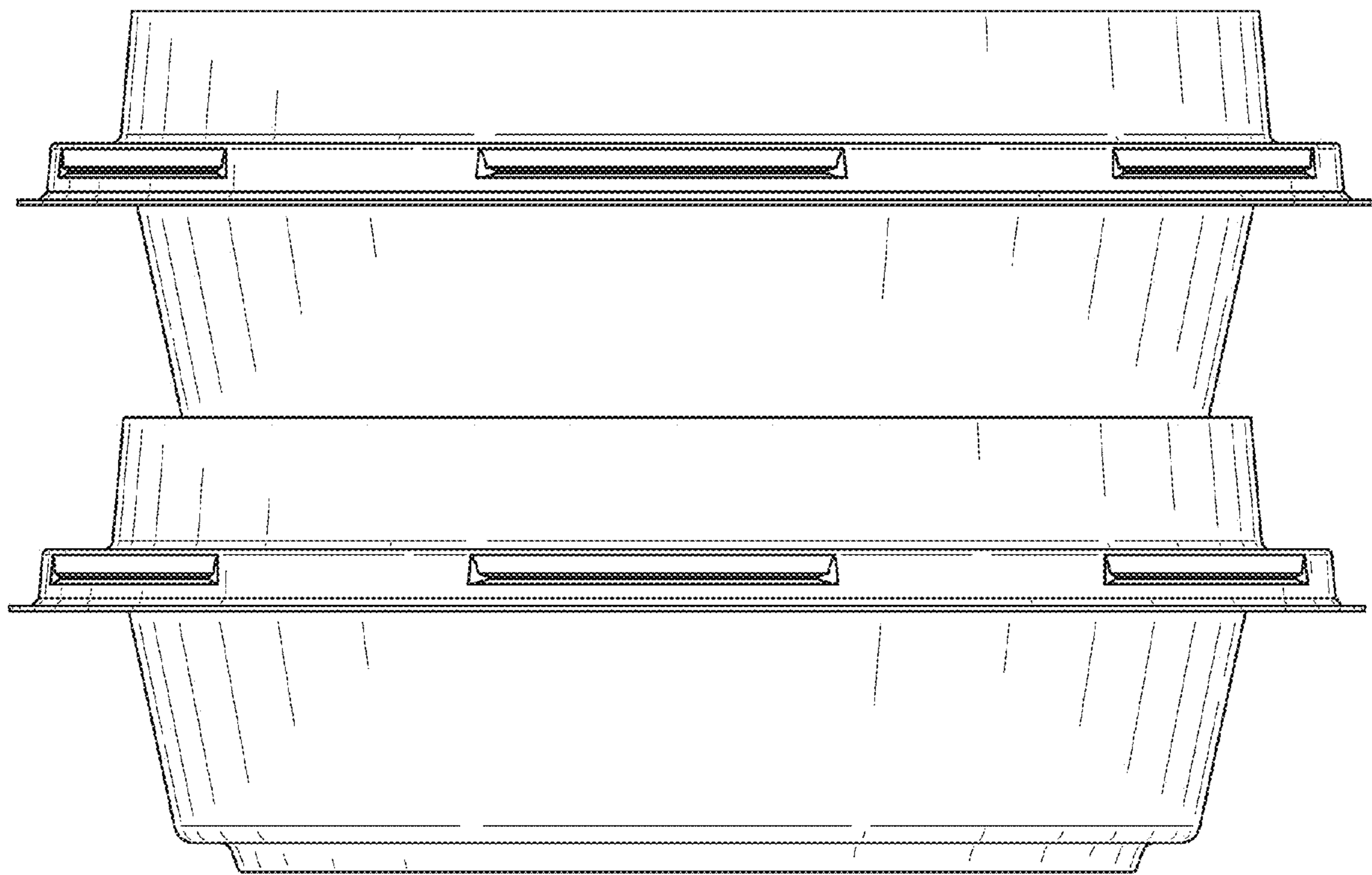


FIG. 14

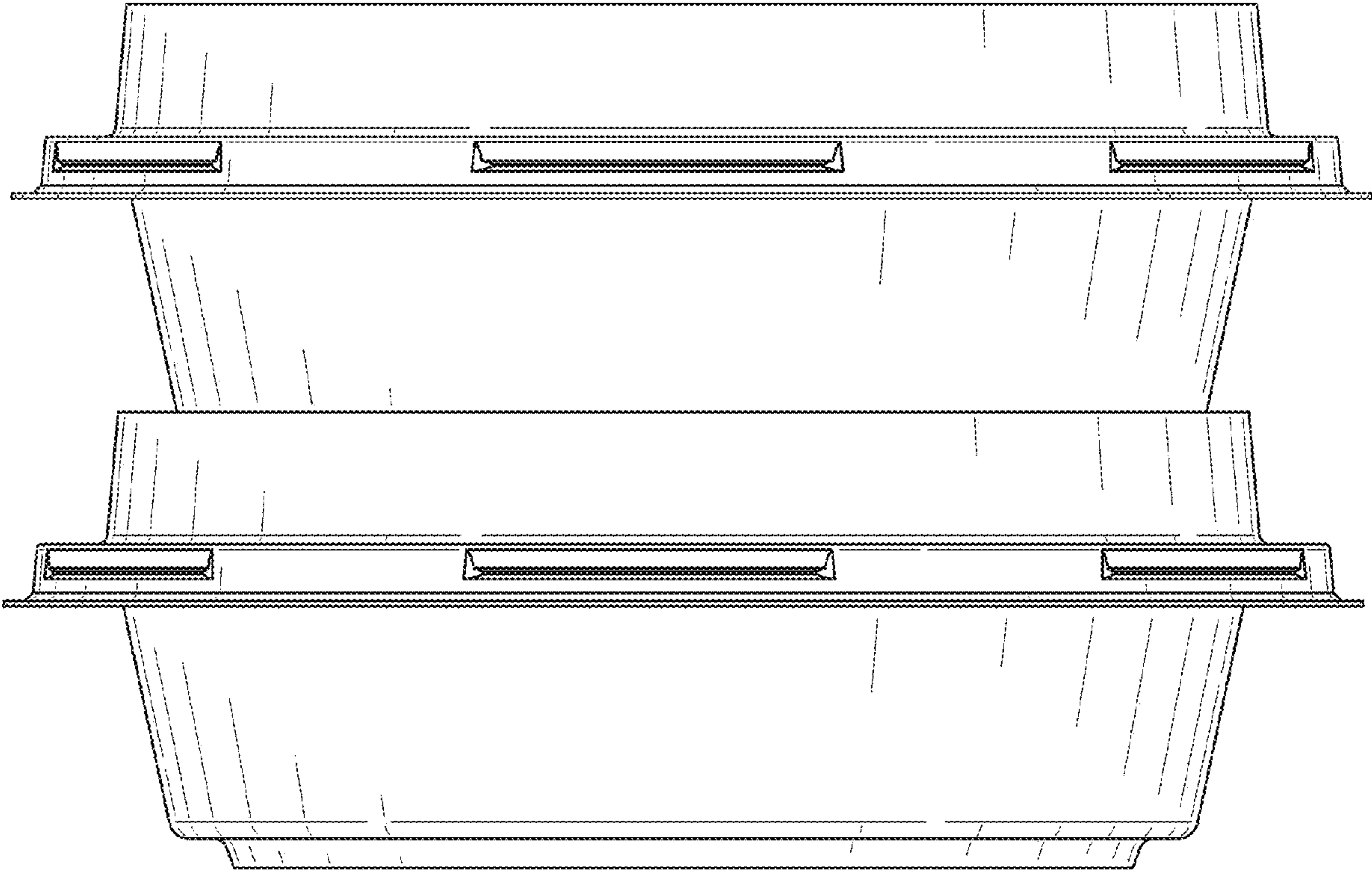


FIG. 15



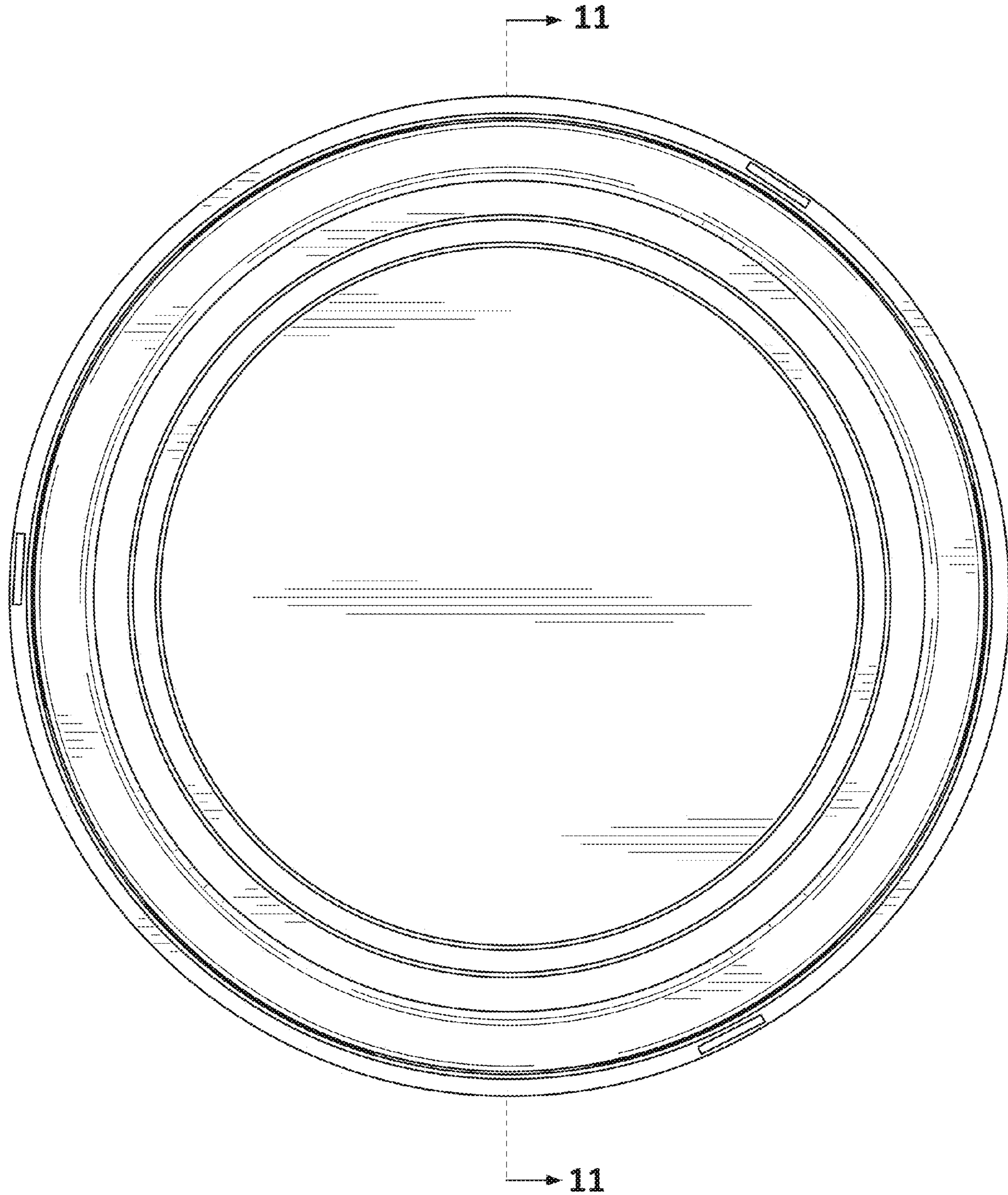


FIG. 16

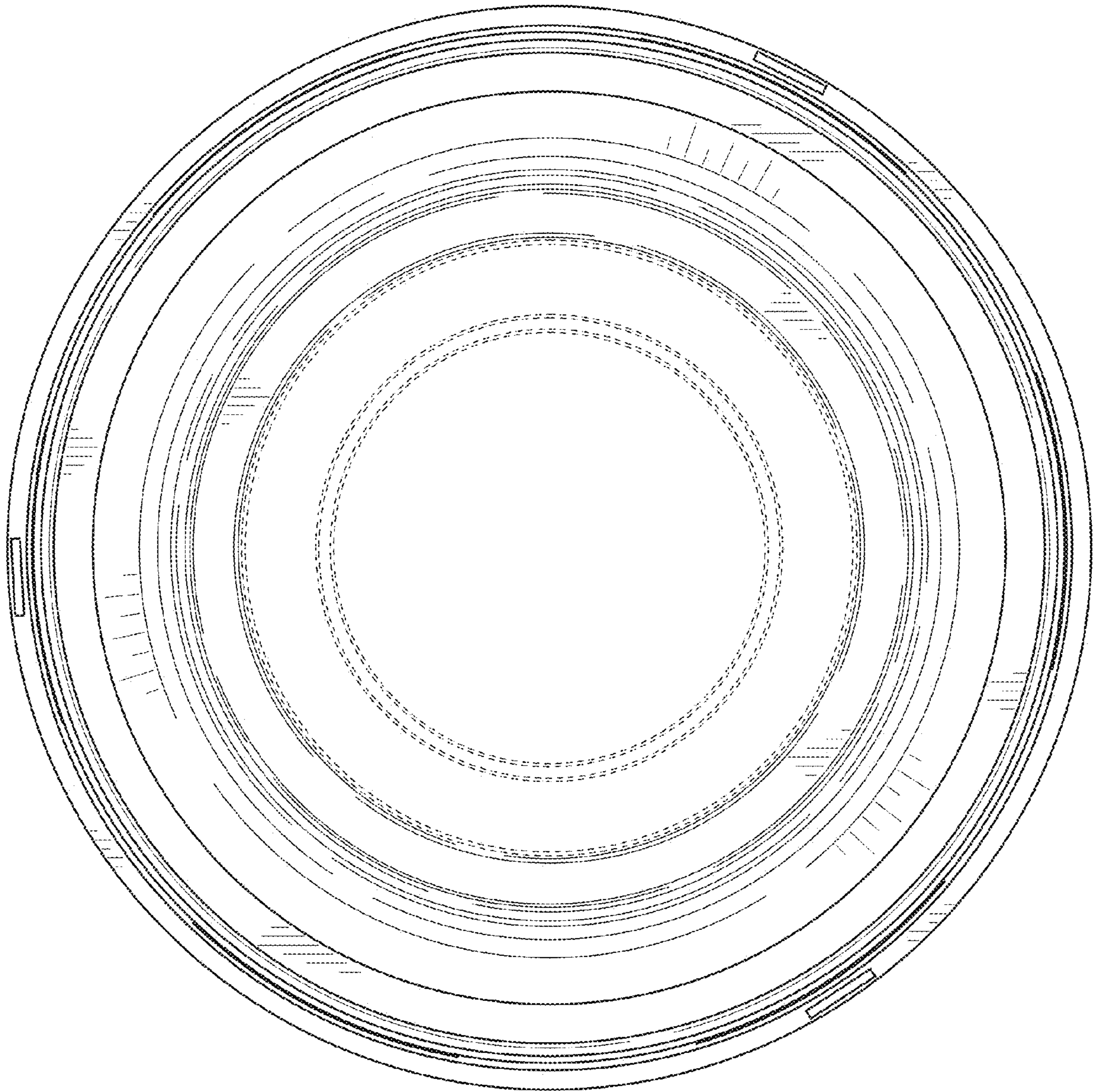


FIG. 17



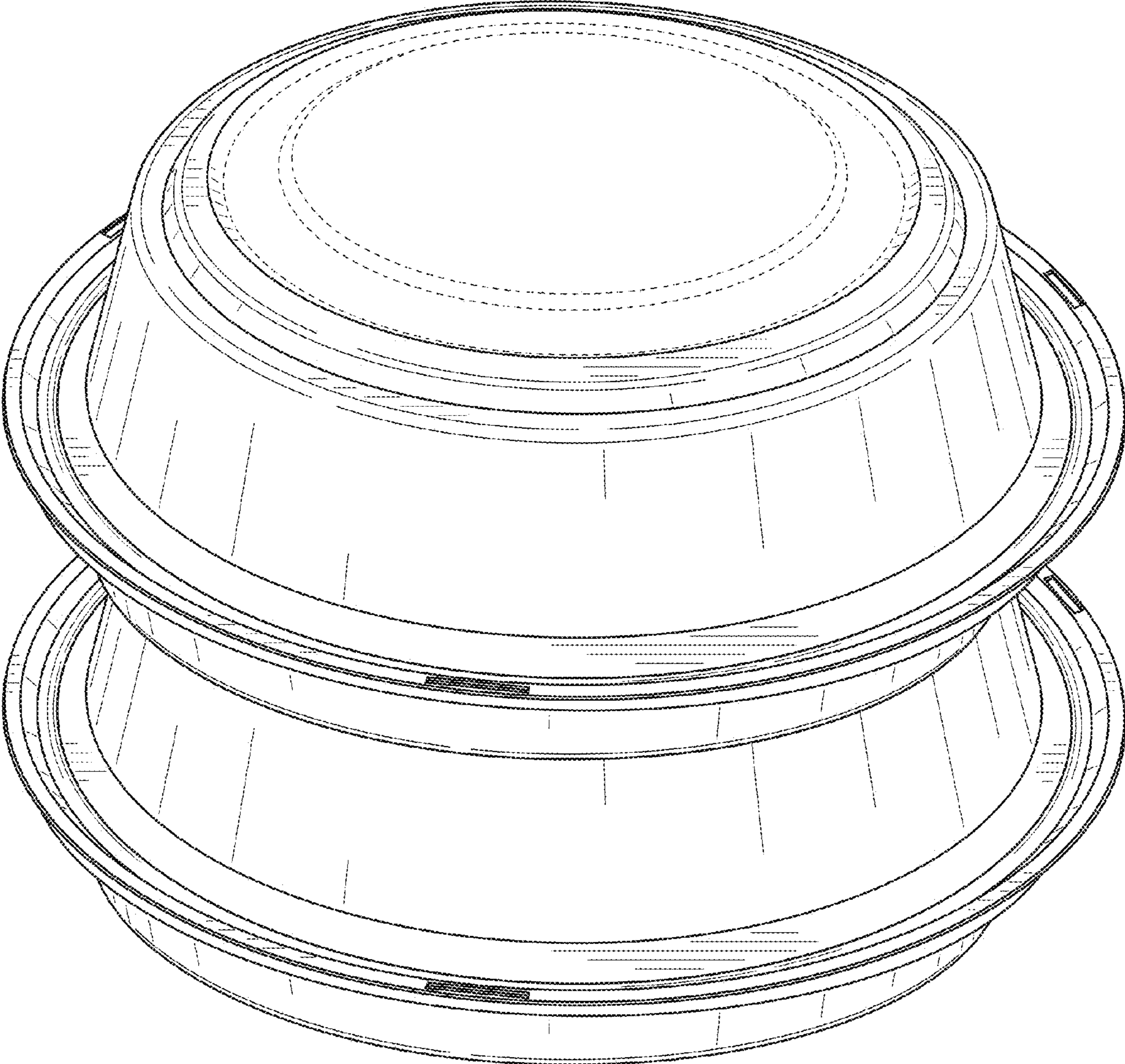


FIG. 18