



US00D928549S

(12) **United States Design Patent**
Yamamoto

(10) **Patent No.:** **US D928,549 S**
(45) **Date of Patent:** **** Aug. 24, 2021**

(54) **TOASTER OVEN**

OTHER PUBLICATIONS

(71) Applicant: **ZOJIRUSHI CORPORATION**, Osaka (JP)

Panasonic FlashXpress Compact Toaster Oven, first available Nov. 18, 2018, Amazon, [online], [site visited Mar. 17, 2021], Available from internet URL: https://www.amazon.com/Panasonic-NB-G110P-K-Toaster-Oven-Black/dp/B07JX1Z6LS/ref=psdc_289938_t4_B08BJGZGKM (Year: 2018).*

(72) Inventor: **Saya Yamamoto**, Osaka (JP)

Zojirushi ET-ZLC30 Micom Toaster Oven, first available Jun. 19, 2020, Amazon, [online], [site visited Mar. 12, 2021], Available from internet URL: <https://www.amazon.com/Zojirushi-ZLC30-Micom-Toaster-Black/dp/B08BJGZGKM> (Year: 2020).*

(73) Assignee: **ZOJIRUSHI CORPORATION**, Osaka (JP)

Micom Toaster Oven ET-ZLC30, Zojirushi, [online], [site visited Mar. 12, 2021], Available from internet URL: <https://www.zojirushi.com/app/product/etzlc> (Year: 2021).*

(**) Term: **15 Years**

Design No. D1605272, May 11, 2018—Japanese Patent Office (JPO) Publication Date—Jun. 4, 2018 Owner—Panasonic IP Management Co., Ltd., Designer—Osamu Kondo WIPO, available at <https://www3.wipo.int/designdb/en/index.jsp> (Year: 2018).*

(21) Appl. No.: **29/725,053**

(22) Filed: **Feb. 21, 2020**

(51) **LOC (13) Cl.** **07-02**

(52) **U.S. Cl.**
USPC **D7/350.4; D7/350.1**

(58) **Field of Classification Search**

USPC D7/323, 328, 329, 330, 332, 334, 337, D7/339, 347, 348, 349, 350.1, 350.2, D7/350.3, 350.4, 351, 402, 405, 354, 358
CPC A47J 37/00; A47J 37/206; A47J 37/0605; A47J 37/0623; A47J 37/0629; A47J 37/0641; A47J 37/0647; A47J 37/0664; A47J 37/0658; A47J 37/067; A47J 37/07; A47J 37/08; A47J 37/0807

See application file for complete search history.

(Continued)

Primary Examiner — Mary Ann Calabrese

Assistant Examiner — Natalya M Rapundalo

(74) *Attorney, Agent, or Firm* — Nixon & Vanderhye PC

(57) **CLAIM**

The ornamental design for a toaster oven, as shown and described.

DESCRIPTION

FIG. 1 is a perspective view of a toaster oven showing my new design;

FIG. 2 is a front view thereof;

FIG. 3 is a back view thereof;

FIG. 4 is a top view thereof;

FIG. 5 is a bottom view thereof;

FIG. 6 is a right view thereof; and,

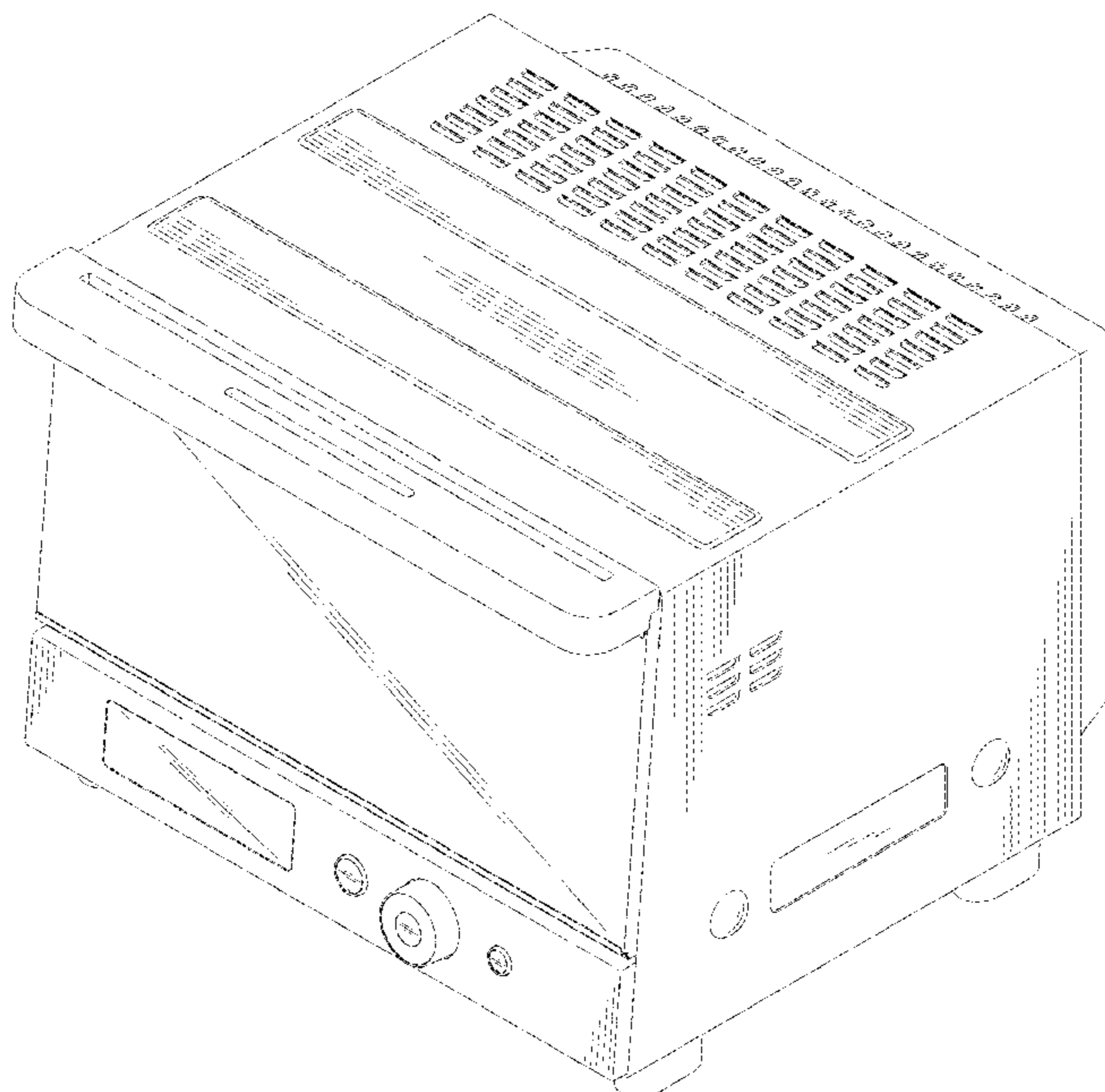
FIG. 7 is a left view thereof.

1 Claim, 7 Drawing Sheets

(56) **References Cited**

U.S. PATENT DOCUMENTS

D296,858 S *	7/1988	Ooki	D7/350.4
D386,938 S *	12/1997	Piret	D7/350.4
D425,749 S *	5/2000	Homayoun	D7/350.4
D444,992 S *	7/2001	Brady	D7/350.4
D569,675 S *	5/2008	Sumser	D7/328
D634,966 S *	3/2011	De' Longhi	D7/350.1
D825,251 S *	8/2018	Schrepfer	D7/350.1
D838,533 S *	1/2019	Tokoi	D7/328



(56)

References Cited

OTHER PUBLICATIONS

Design No. D1616766, Oct. 5, 2018—Japanese Patent Office (JPO)
Publication Date—Oct. 29, 2018 Owner—Zojirushi Corporation,
Designer—Yamamoto Sayya WIPO, available at <https://www3.wipo.int/designdb/en/index.jsp> (Year: 2018).*

Design No. D1643489, Sep. 20, 2019—Japanese Patent Office
(JPO) Publication Date—Oct. 15, 2019 Owner—Zojirushi Mahobin
Co., Ltd., Designer—Yuya Yamamoto WIPO, available at <https://www3.wipo.int/designdb/en/index.jsp> (Year: 2019).*

* cited by examiner

Fig.1

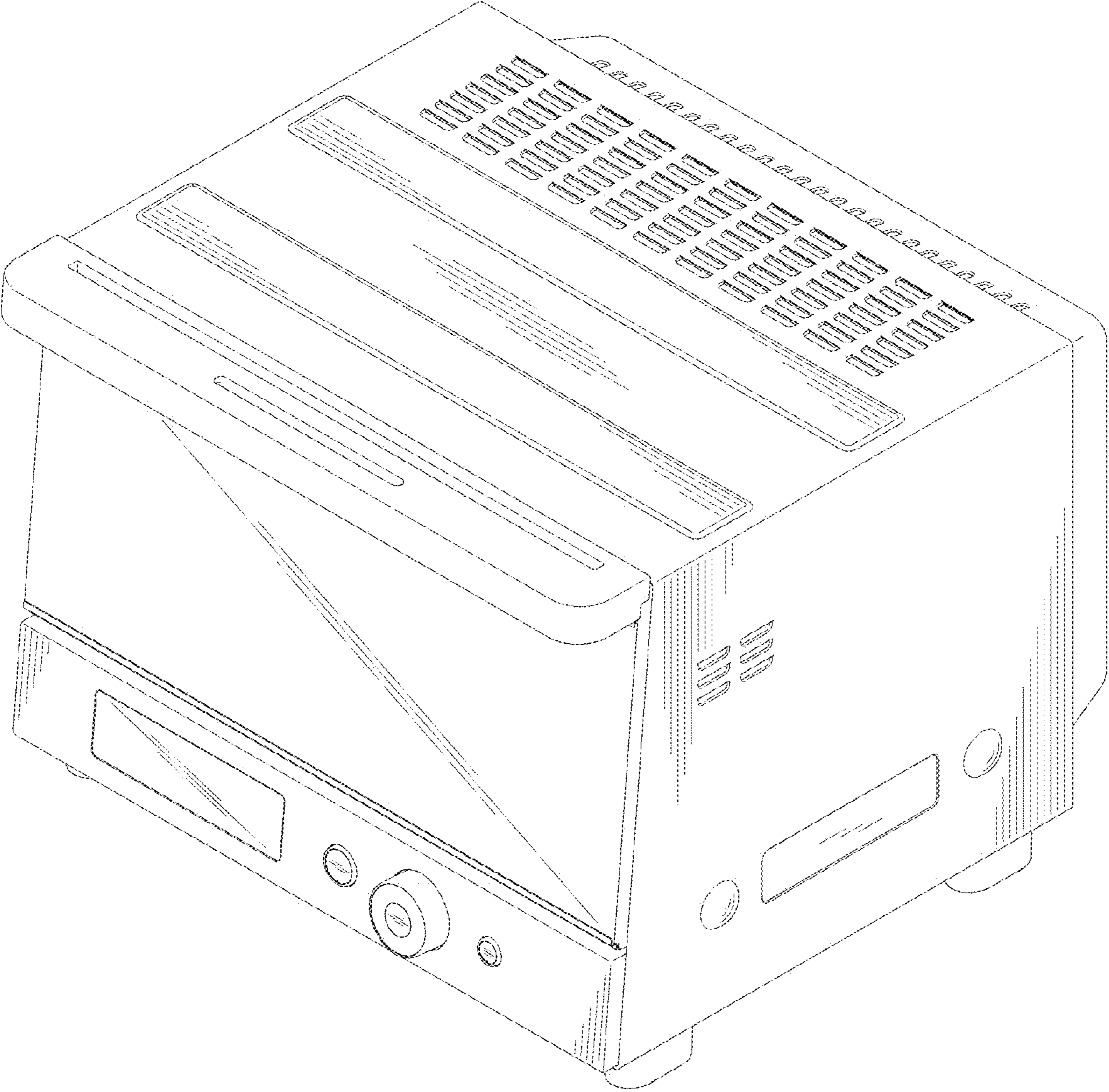


Fig. 2

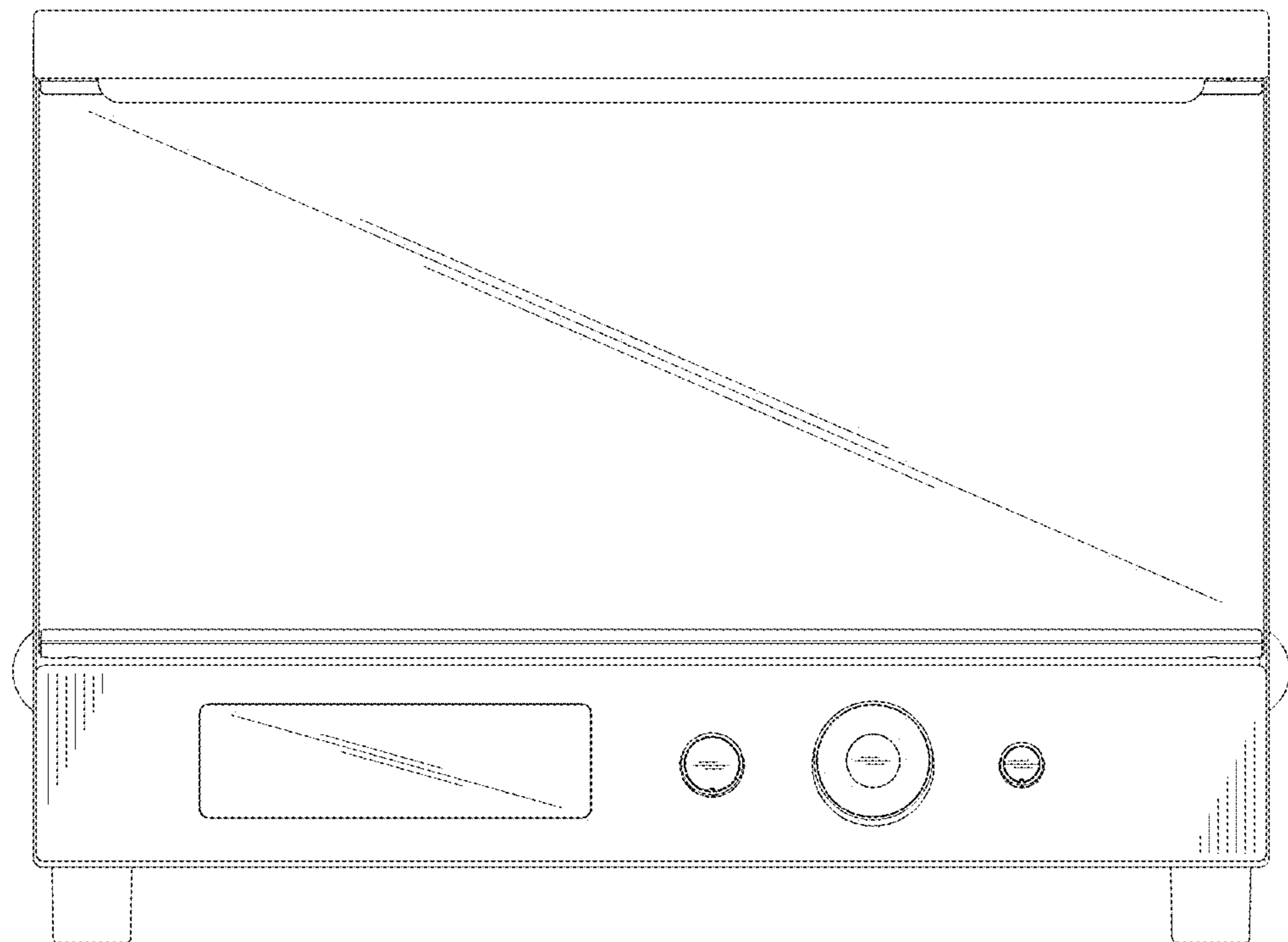


Fig. 3

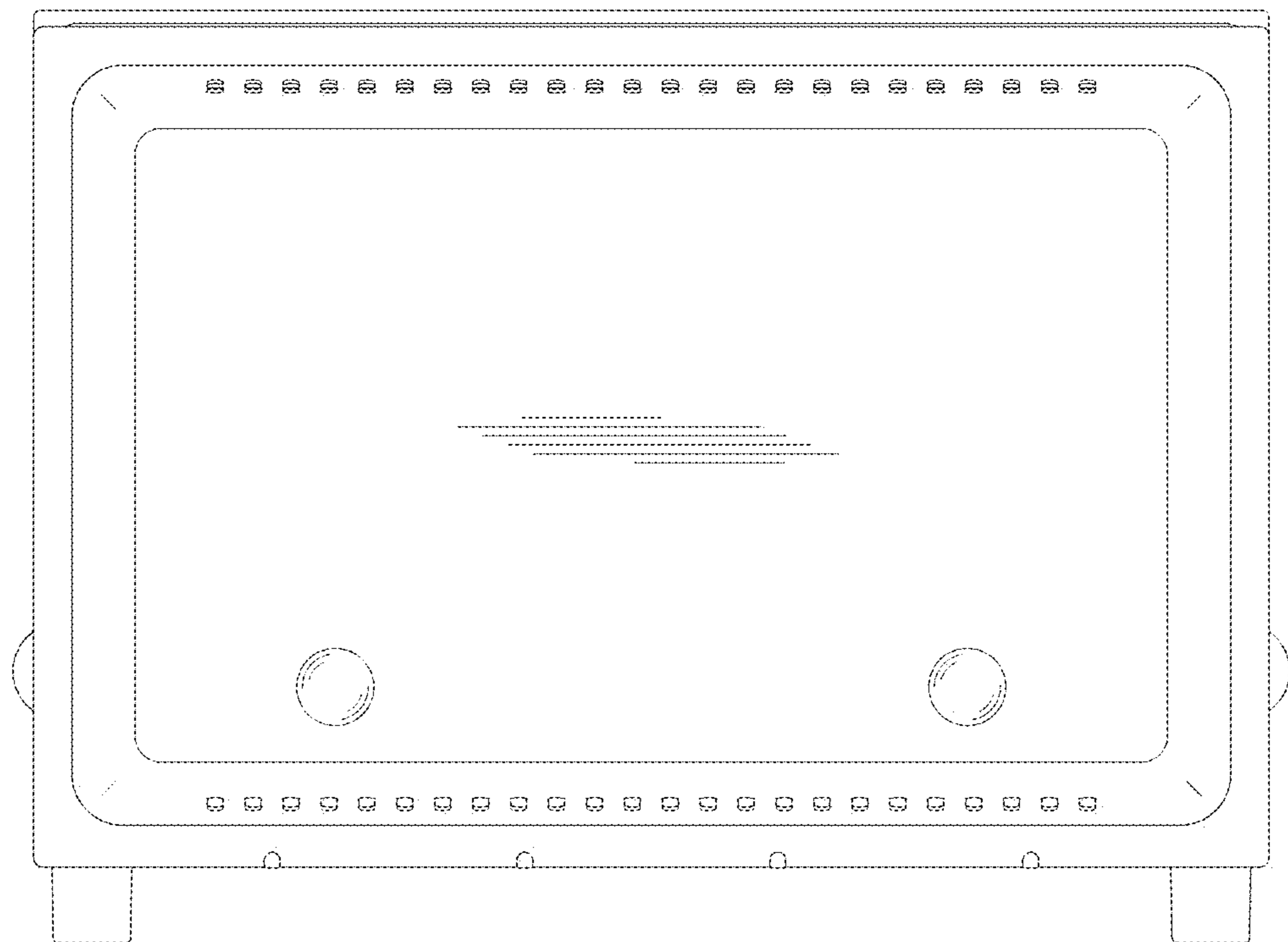


Fig. 4

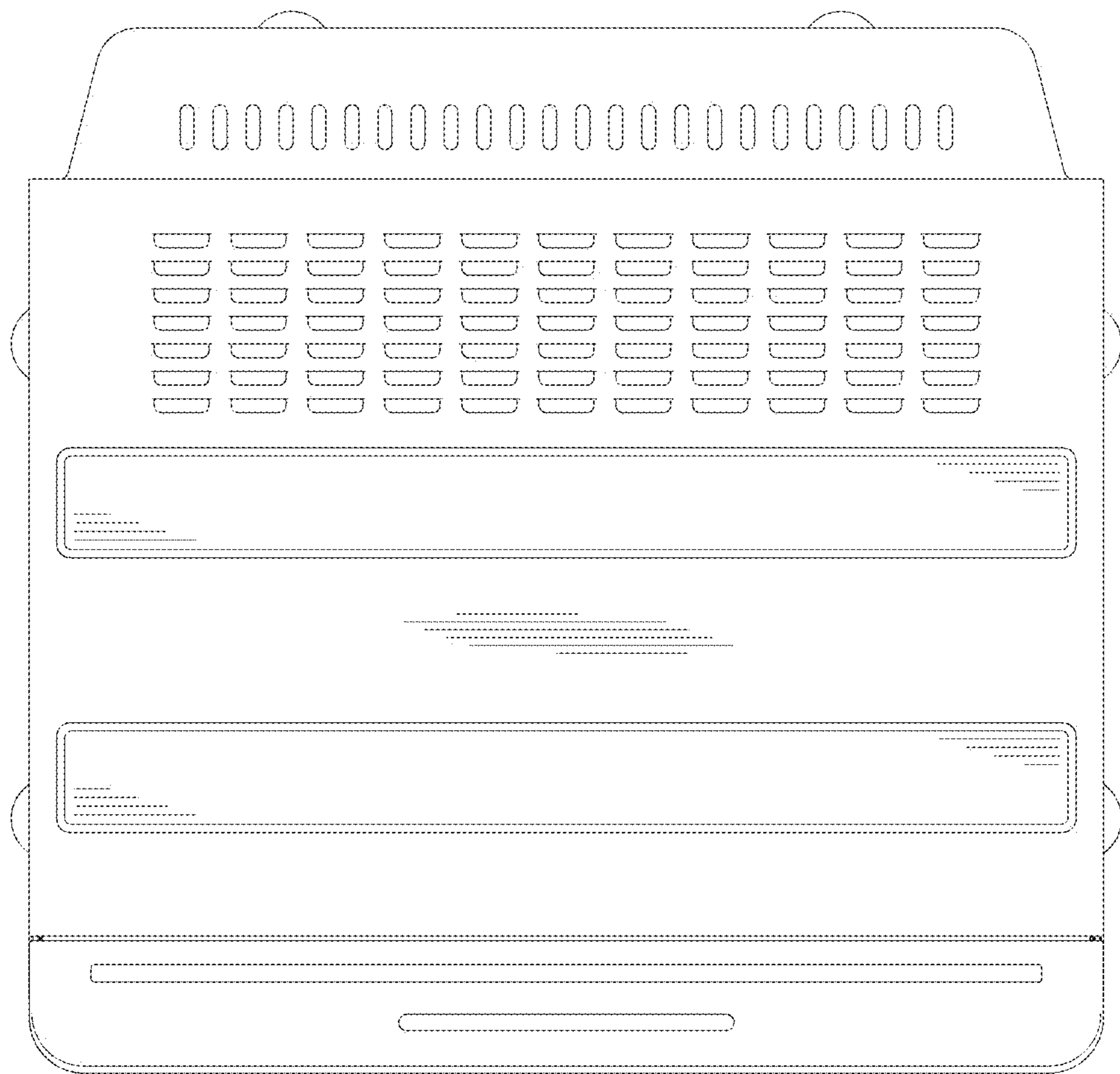


Fig. 5

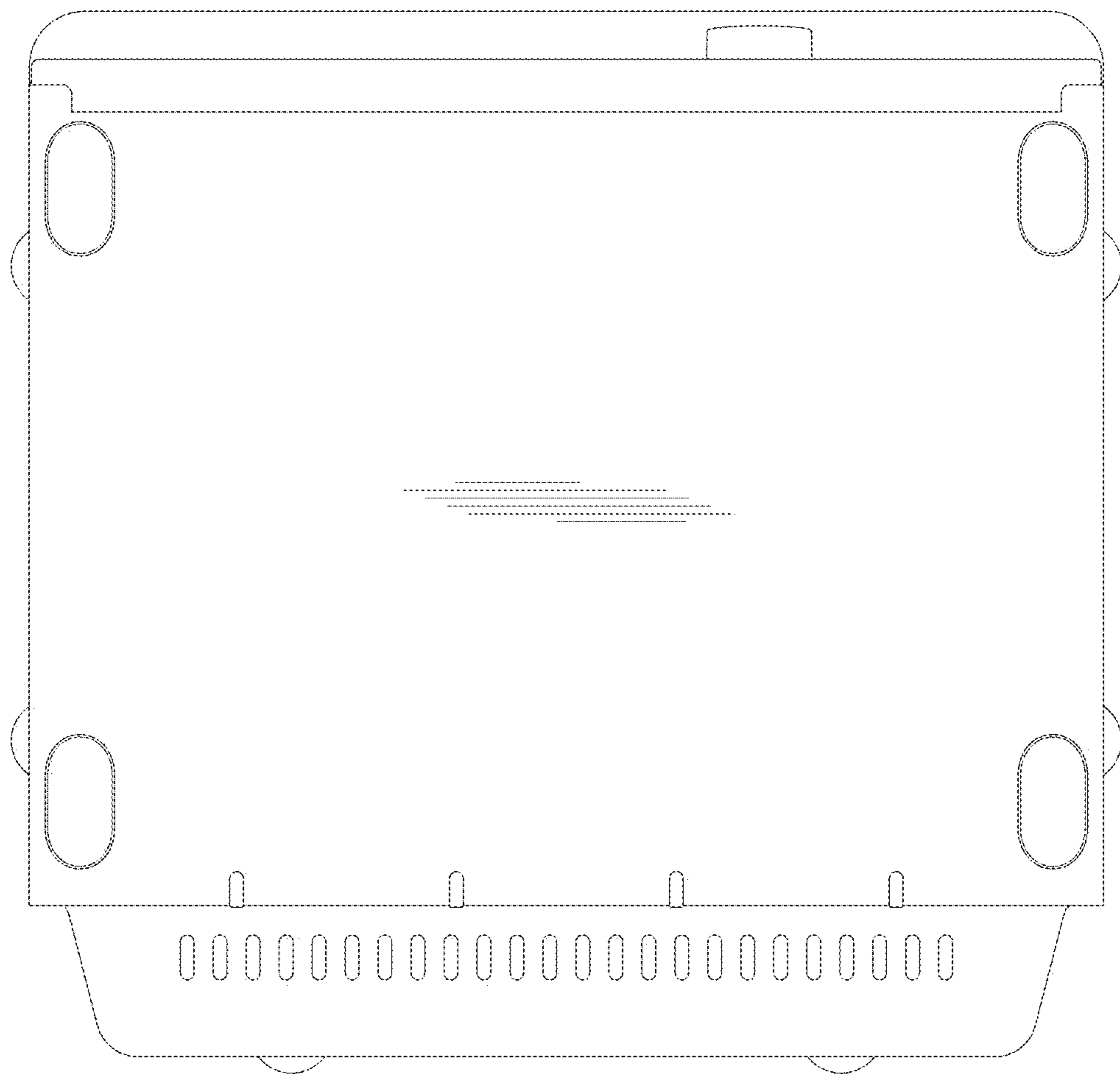


Fig.6

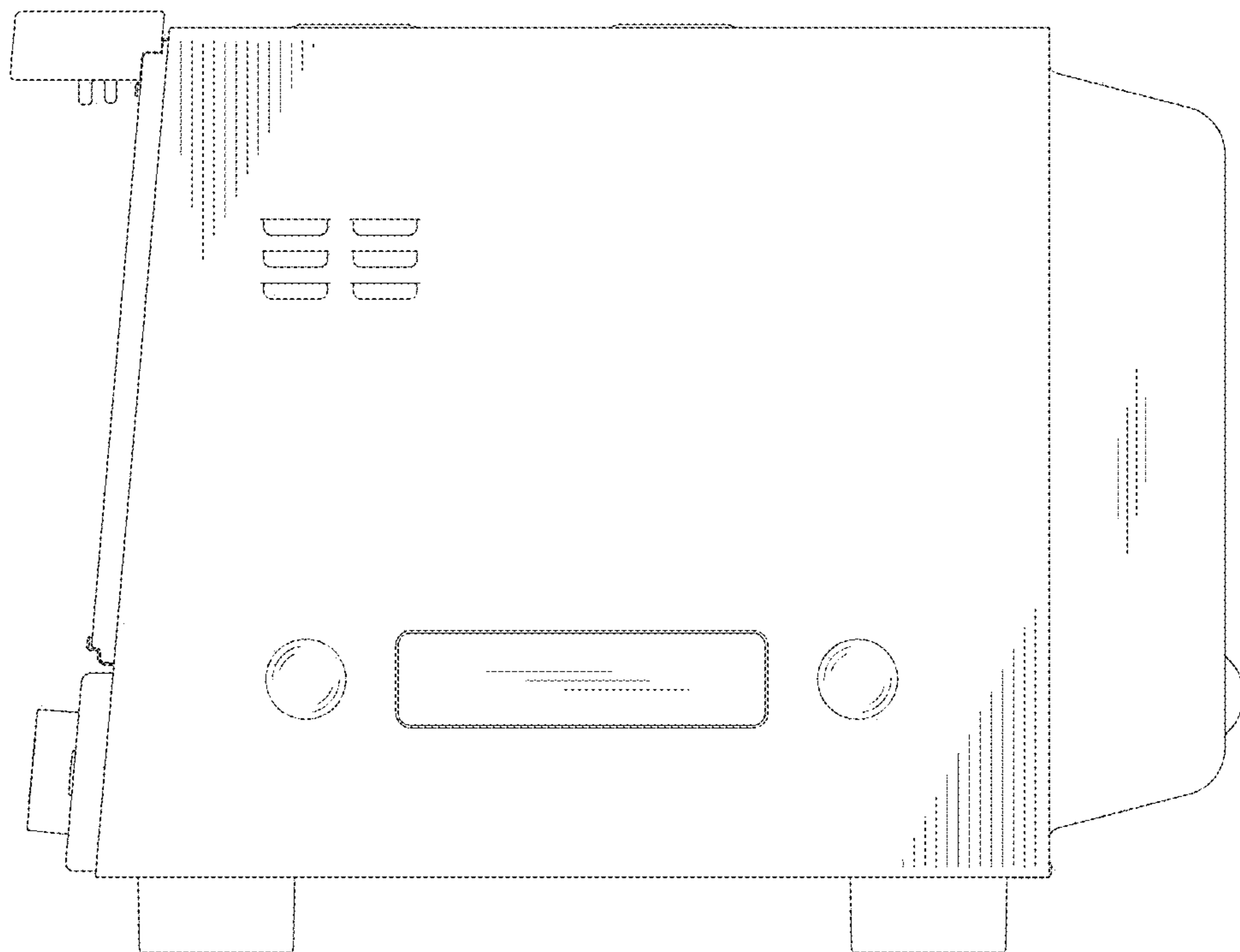


Fig. 7

