



US00D928548S

(12) **United States Design Patent**
Li et al.

(10) **Patent No.:** **US D928,548 S**

(45) **Date of Patent:** **** Aug. 24, 2021**

- (54) **STIR-FRY MACHINE**
- (71) Applicants: **Qiao Li**, Guangdong (CN); **Chen Xin Zhang**, New York, NY (US)
- (72) Inventors: **Qiao Li**, Guangdong (CN); **Chen Xin Zhang**, New York, NY (US)
- (**) Term: **15 Years**
- (21) Appl. No.: **29/715,505**
- (22) Filed: **Dec. 3, 2019**
- (51) **LOC (13) Cl.** **07-02**
- (52) **U.S. Cl.**
USPC **D7/350.1**
- (58) **Field of Classification Search**
USPC D7/323, 328, 329, 330, 332, 334, 337,
D7/339, 347, 348, 349, 350.1, 350.2,
D7/350.3, 350.4, 351, 402, 405, 354, 358
CPC A47J 37/00; A47J 37/206; A47J 37/0605;
A47J 37/0623; A47J 37/0629; A47J
37/0641; A47J 37/0647; A47J 37/0664;
A47J 37/0658; A47J 37/067; A47J 37/07;
A47J 37/08; A47J 37/0807
See application file for complete search history.

- 6,843,166 B1 * 1/2005 Li A47J 27/14
99/327
- D516,371 S * 3/2006 Roca D7/354
- D726,929 S * 4/2015 Wainwright D24/216
- D730,678 S * 6/2015 Horimoto D7/358
- D769,664 S * 10/2016 Waldthausen D7/309
- D819,388 S * 6/2018 Fowkes D7/350.1
- D901,227 S * 11/2020 Zeng A47J 27/14
D7/350.1
- D906,033 S * 12/2020 DeWitt D7/330

* cited by examiner

Primary Examiner — Mary Ann Calabrese
Assistant Examiner — Natalya M Rapundalo

(57) **CLAIM**

The ornamental design for a stir-fry machine, as shown and described.

DESCRIPTION

FIG. 1 is a front elevational view of a stir-fry machine showing our new design;
FIG. 2 is a rear elevational view thereof;
FIG. 3 is a left side view thereof;
FIG. 4 is a right side view thereof;
FIG. 5 is a top plan view thereof;
FIG. 6 is a bottom plan view thereof;
FIG. 7 is a perspective view thereof; and,
FIG. 8 is a perspective view of the stir-fry machine shown in a configuration of use.

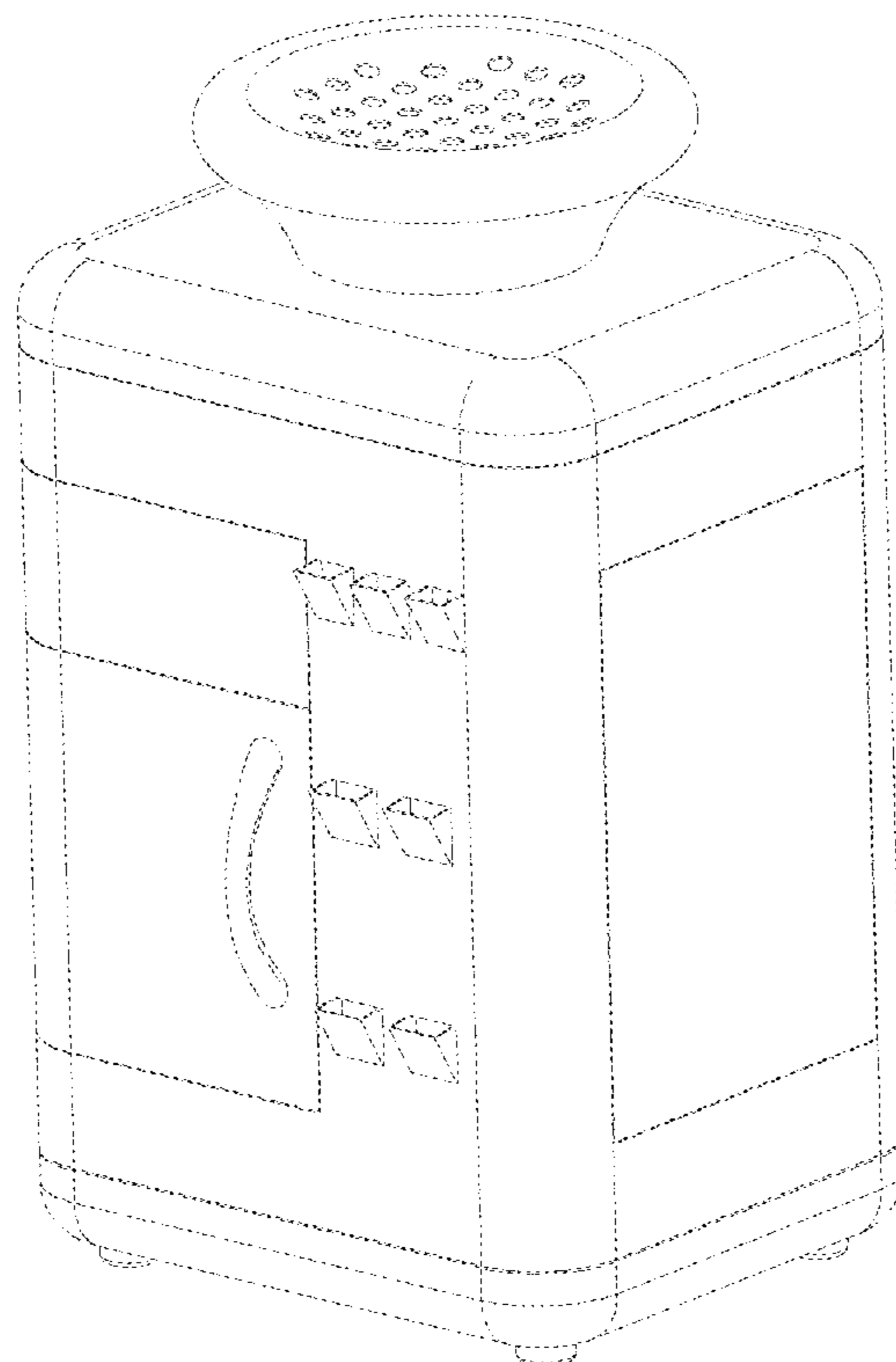
The broken lines shown in the drawings are for the purpose of depicting portions of the stir-fry machine and forms no part of the claimed design.

1 Claim, 8 Drawing Sheets

(56) **References Cited**

U.S. PATENT DOCUMENTS

- D334,864 S * 4/1993 Chang D7/350.3
- D358,963 S * 6/1995 Kaneko D7/350.2
- D384,240 S * 9/1997 Wang D7/350.3
- D393,178 S * 4/1998 Su D7/338



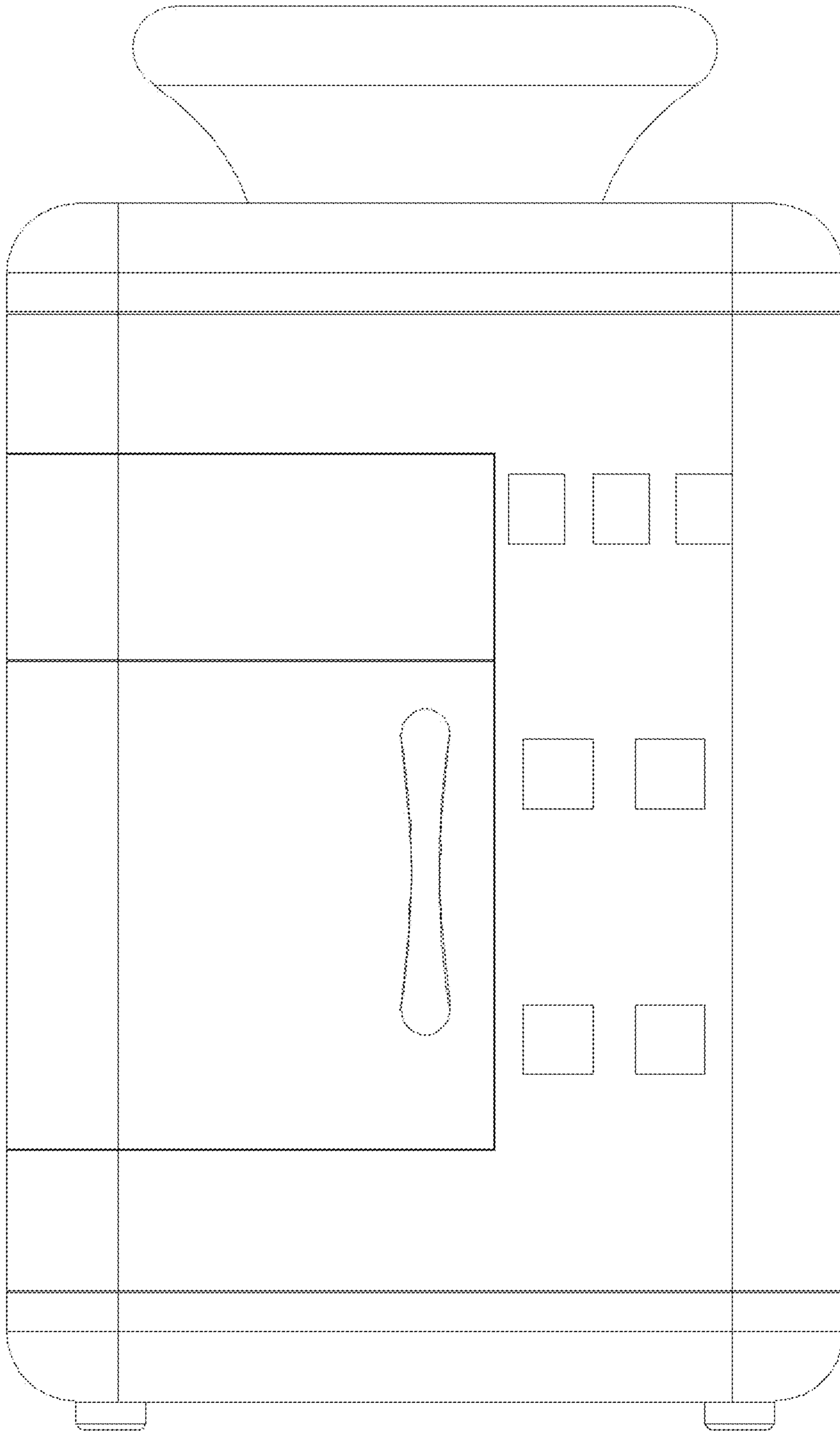


FIG. 1

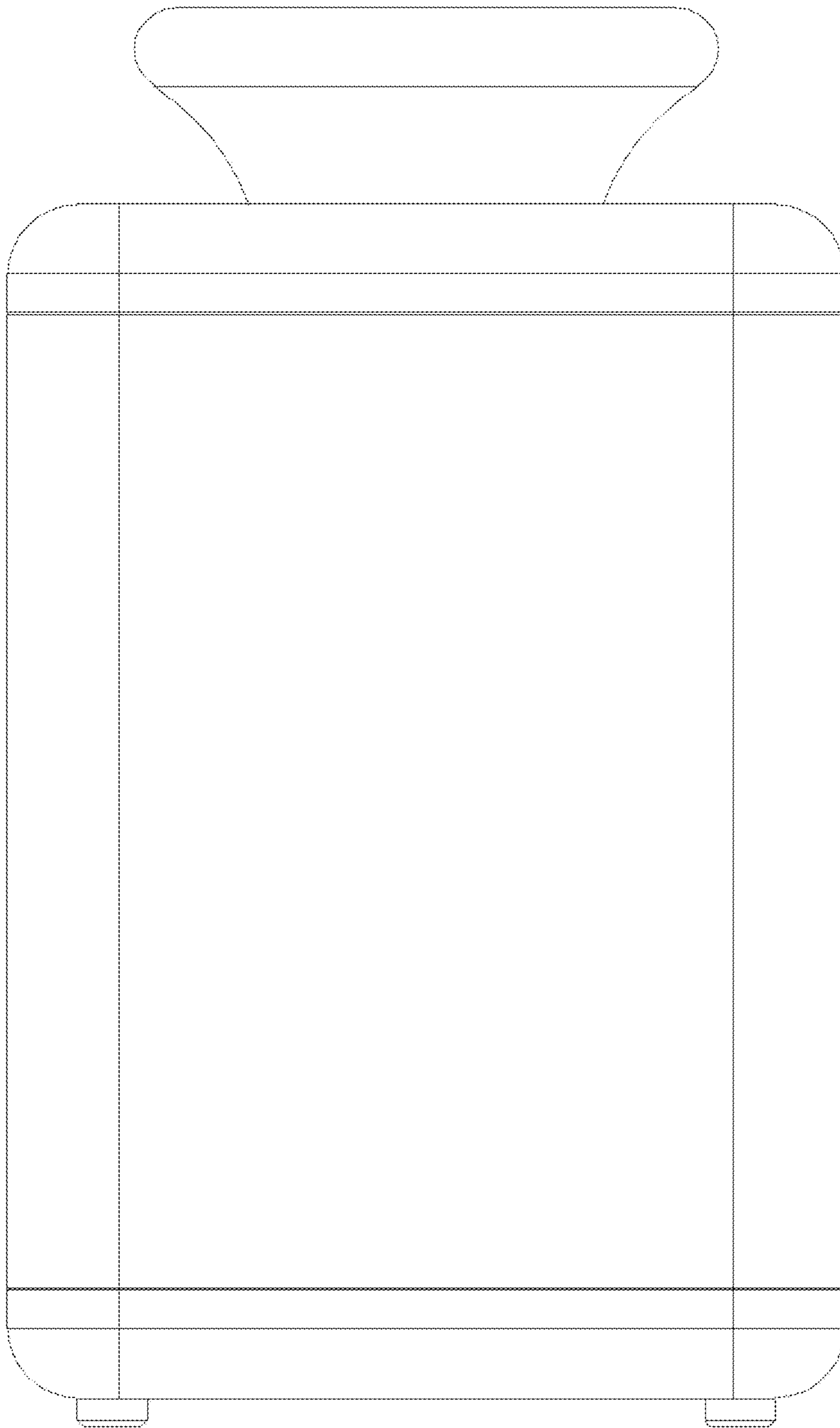


FIG. 2

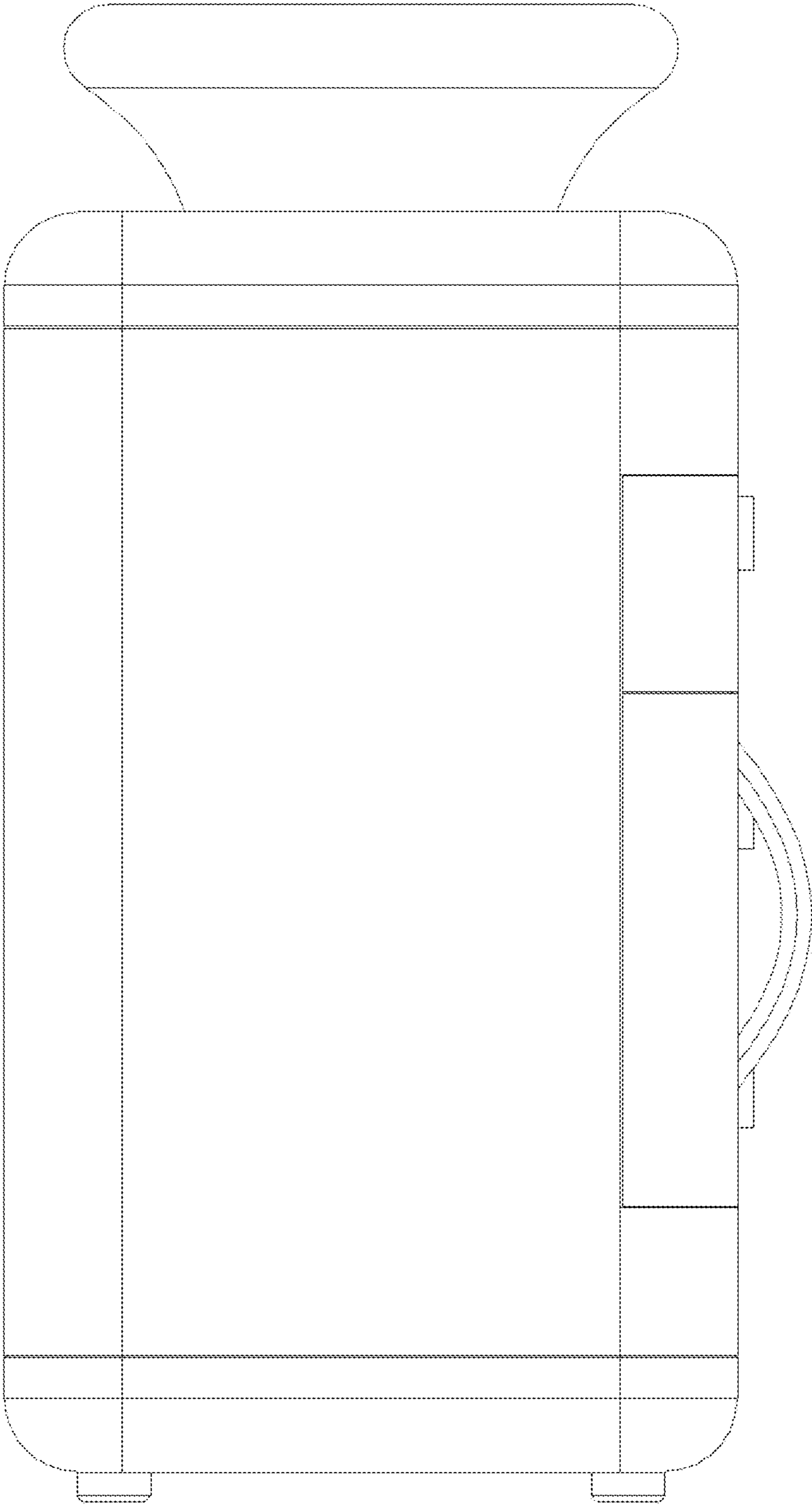


FIG. 3

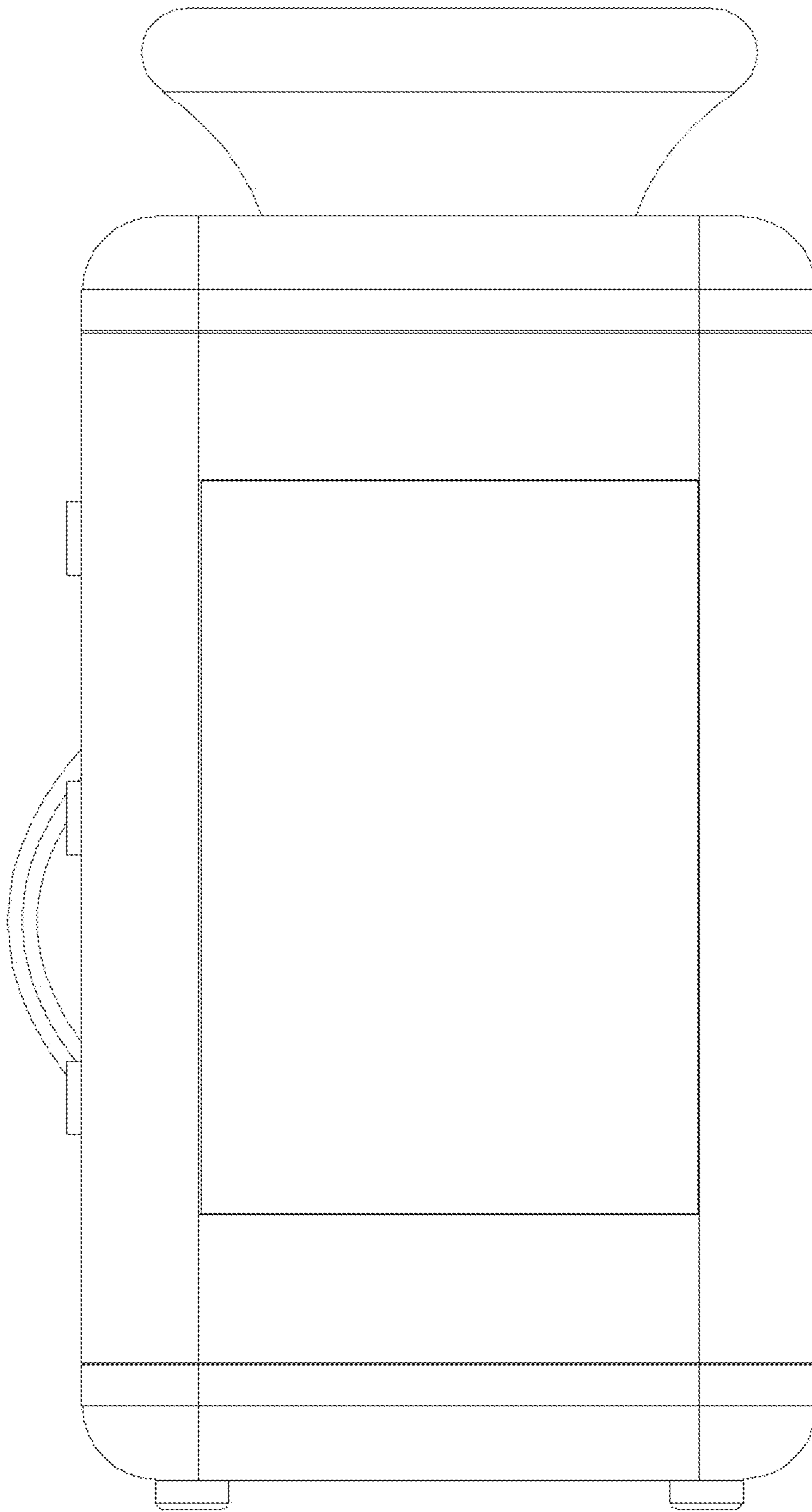


FIG. 4

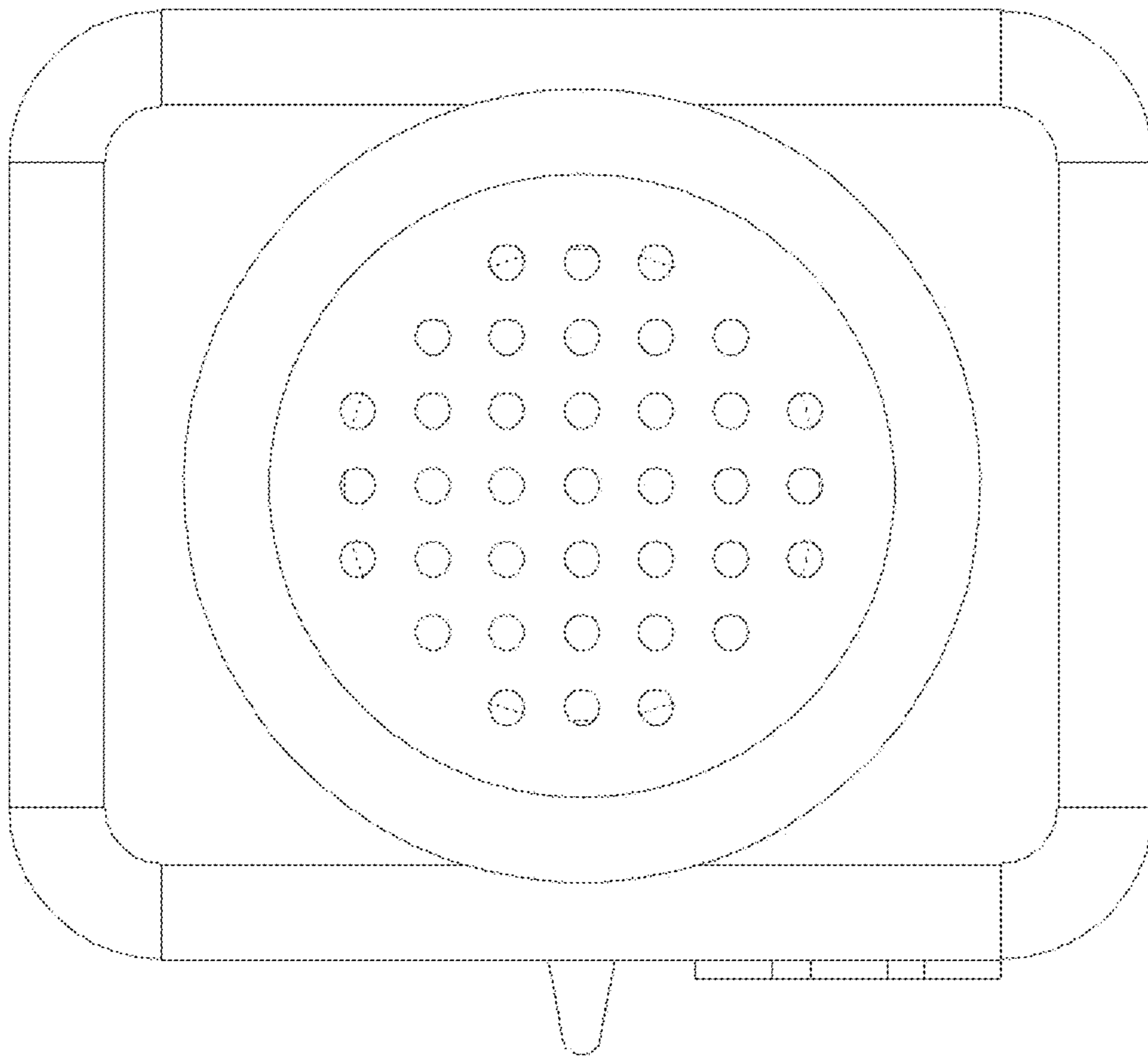


FIG. 5

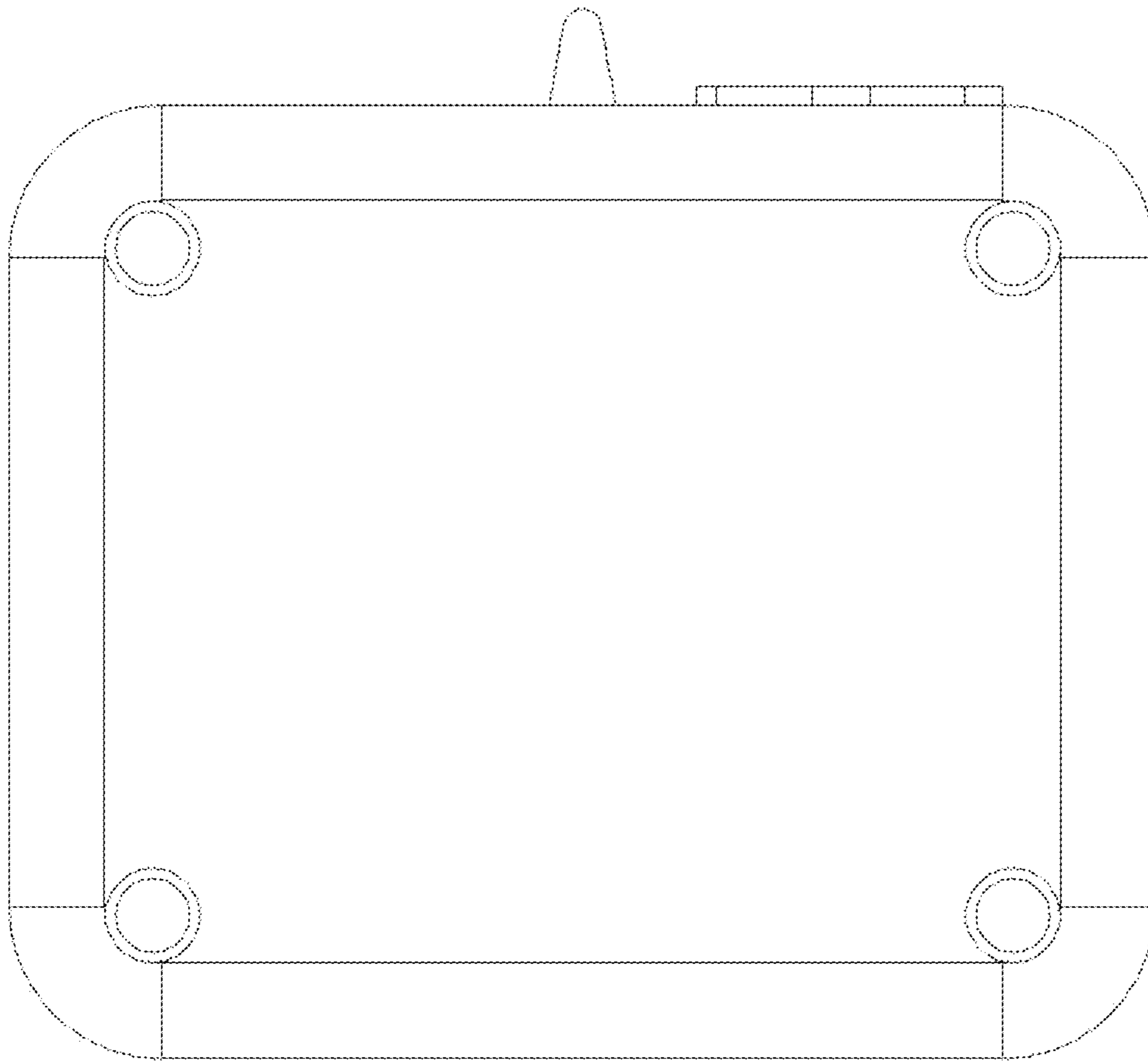


FIG. 6

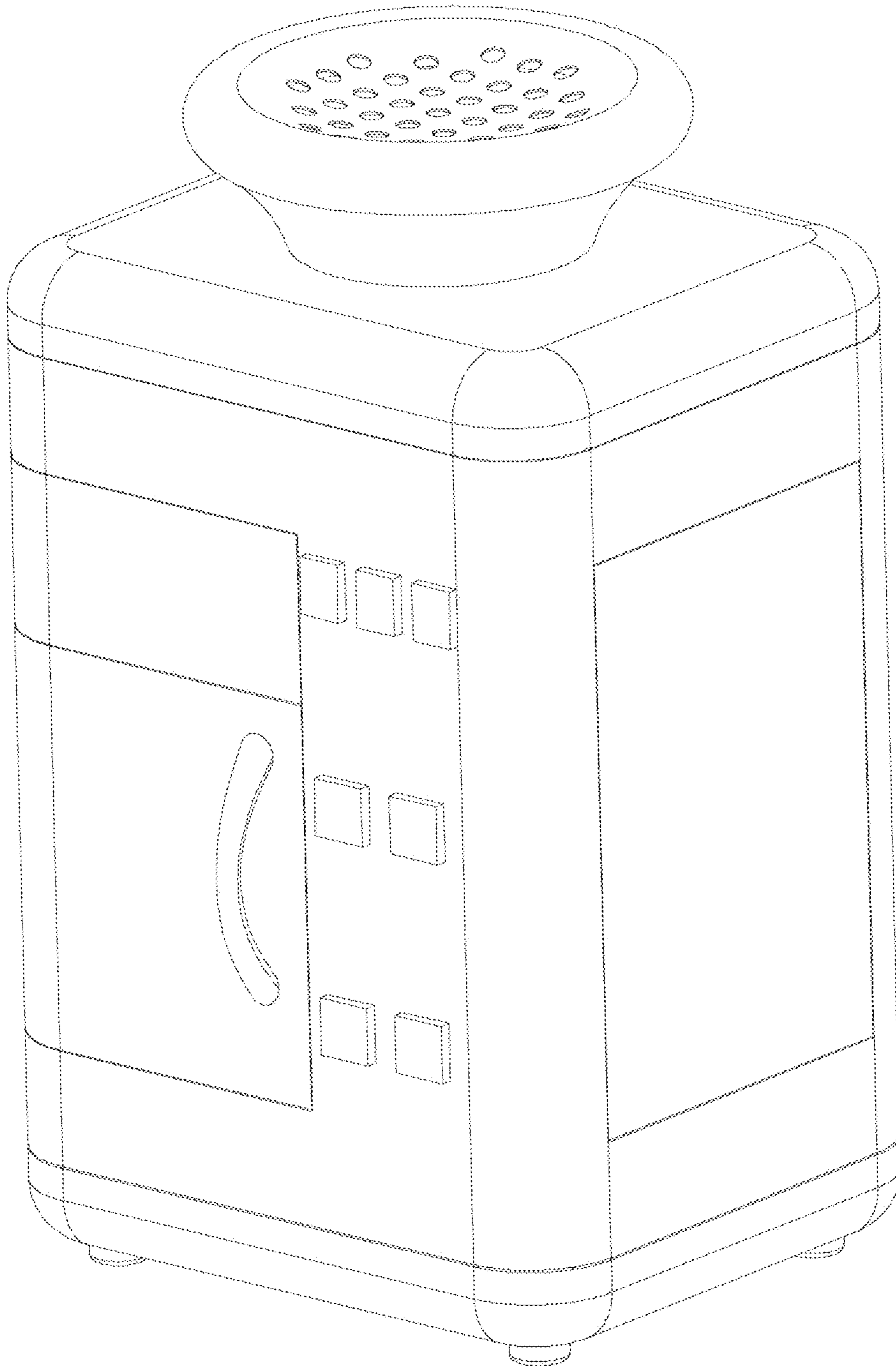


FIG. 7

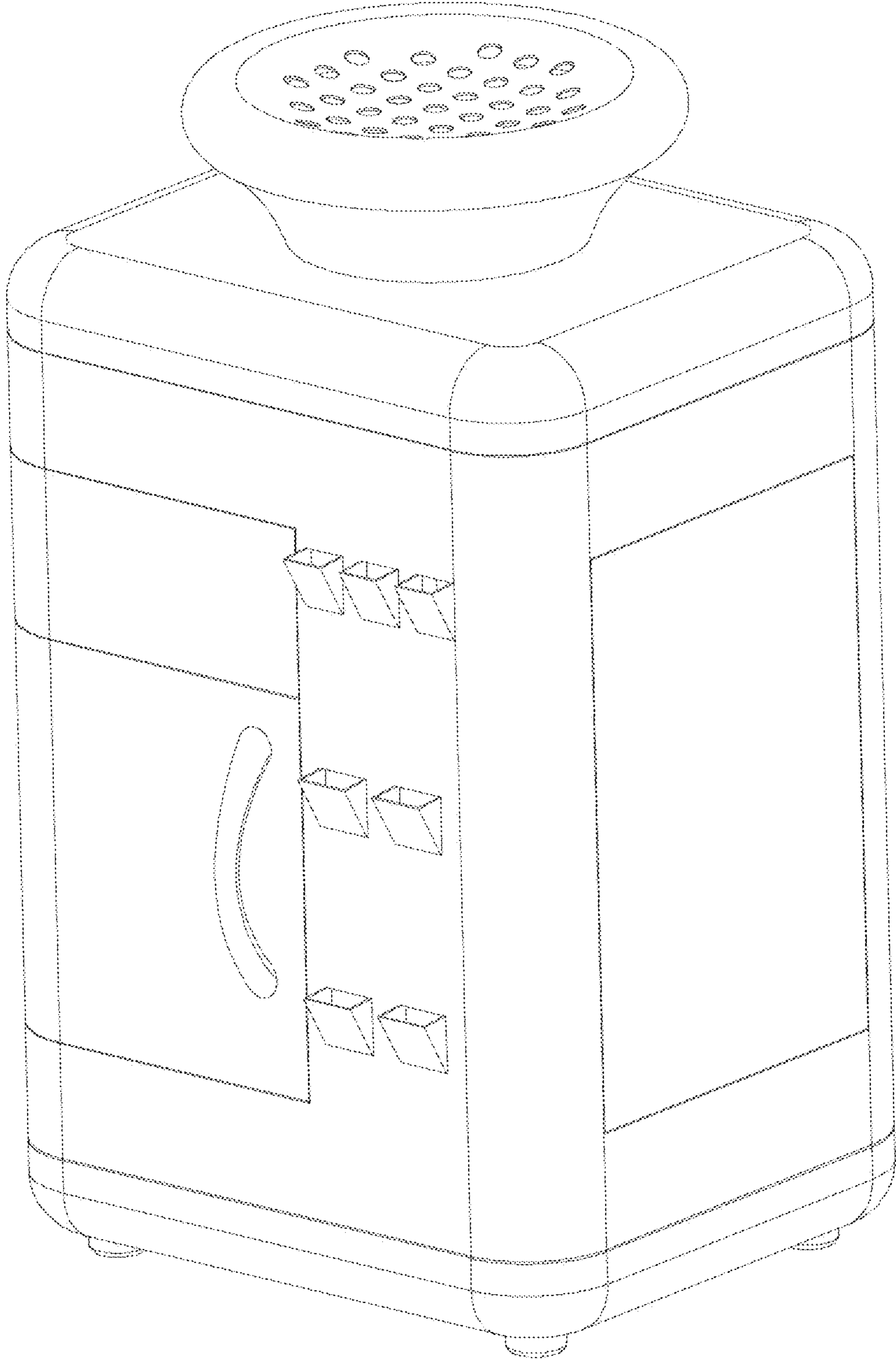


FIG. 8