



US00D928546S

(12) **United States Design Patent**
Han et al.

(10) **Patent No.:** **US D928,546 S**

(45) **Date of Patent:** **** *Aug. 24, 2021**

- (54) **OVEN RANGE**
- (71) Applicant: **LG ELECTRONICS INC.**, Seoul (KR)
- (72) Inventors: **Songyi Han**, Seoul (KR); **Suhyeon Son**, Seoul (KR); **Hongsik Kwon**, Seoul (KR); **Inhwan Ryu**, Seoul (KR); **Sooyeon Kim**, Seoul (KR)
- (73) Assignee: **LG ELECTRONICS INC.**, Seoul (KR)
- (*) Notice: This patent is subject to a terminal disclaimer.

- D642,418 S * 8/2011 Kim D7/340
- D653,900 S * 2/2012 Kim D7/340
- D685,602 S * 7/2013 Lee D7/340
- D700,469 S * 3/2014 Reay D7/340
- D710,644 S * 8/2014 Kim D7/340
- D786,608 S * 5/2017 Cho D7/340
- D793,149 S * 8/2017 Lee D7/340
- D816,386 S * 5/2018 Kim D7/340
- D836,373 S * 12/2018 Lah D7/340
- D836,374 S * 12/2018 Kim D7/340
- D851,978 S * 6/2019 Bell D7/340
- D853,775 S * 7/2019 Kim D7/340
- D854,367 S * 7/2019 Kim D7/340
- D855,375 S * 8/2019 Kim D7/340
- D855,376 S * 8/2019 Kim D7/340

(Continued)

(**) Term: **15 Years**

Primary Examiner — Michael A. Pratt

(21) Appl. No.: **35/509,209**

(74) *Attorney, Agent, or Firm* — Birch, Stewart, Kolasch & Birch LLP

(22) Filed: **Oct. 23, 2019**

(80) **Hague Agreement Data**

Int. Filing Date: **Oct. 23, 2019**
 Int. Reg. No.: **DM/204768**
 Int. Reg. Date: **Oct. 23, 2019**
 Int. Reg. Pub. Date: **Apr. 24, 2020**

(57) **CLAIM**

The ornamental design for an oven range, as shown and described.

(30) **Foreign Application Priority Data**

Apr. 25, 2019 (KR) 30-2019-0019693

(51) **LOC (13) Cl.** **07-02**

(52) **U.S. Cl.**
USPC **D7/340**

(58) **Field of Classification Search**
 USPC ... D7/339, 340, 341, 348, 350.1–350.4, 351, D7/402
 CPC F24C 15/024; F24C 15/162; F24C 15/022; F24C 15/00
 See application file for complete search history.

DESCRIPTION

- 1. Oven range
- 1.1 : Perspective
- 1.2 : Front
- 1.3 : Back
- 1.4 : Left
- 1.5 : Right
- 1.6 : Top
- 1.7 : Bottom
- 1.8 : Reference

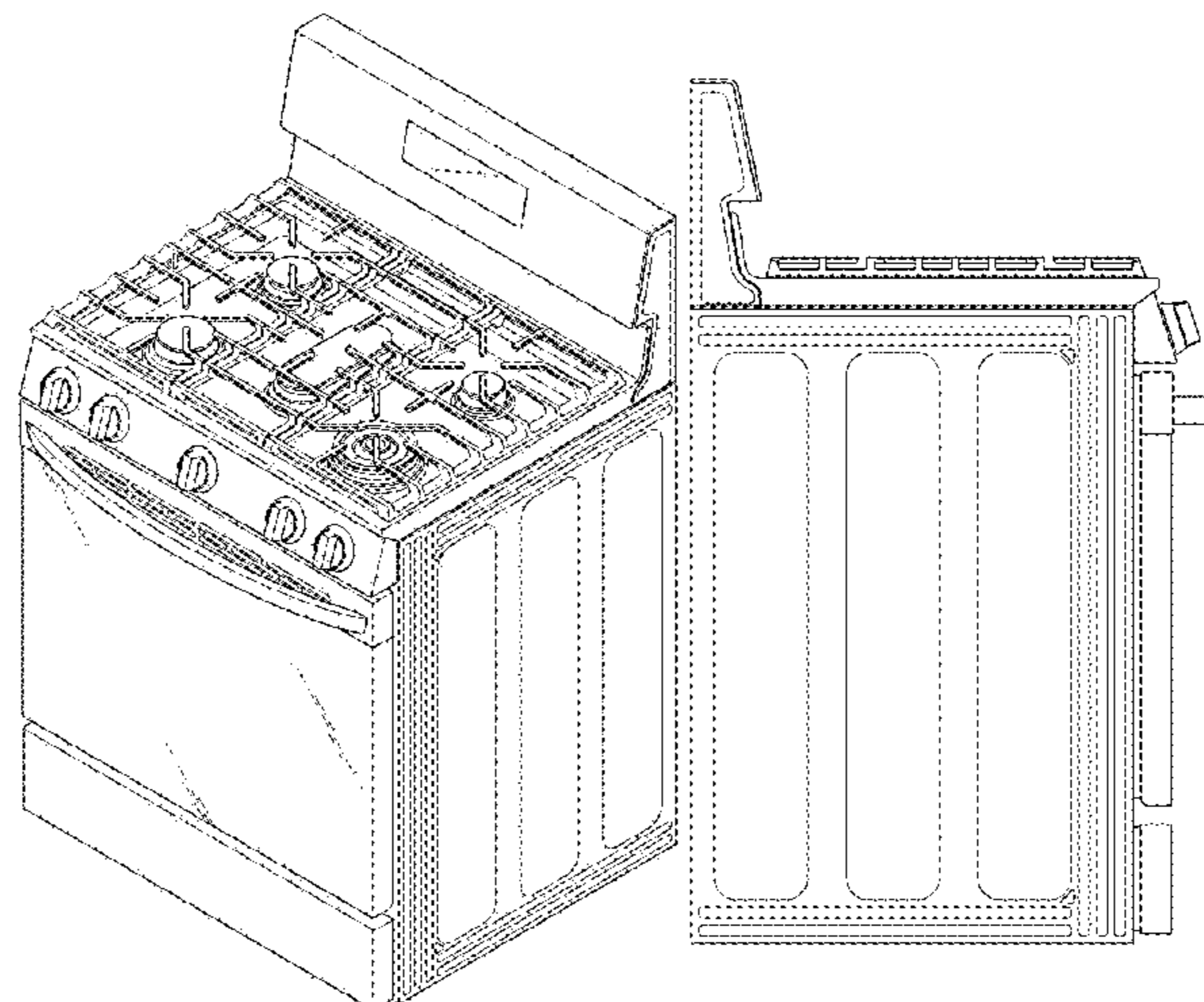
Reproduction 1.8 is a reference view showing a state of the front surface glass door changed into the so-called “see-through door” by means of a sensor for detecting approach of and/or contact of person, and forms no part of the claimed design.

(56) **References Cited**

U.S. PATENT DOCUMENTS

- D541,577 S * 5/2007 Kim D7/340
- D542,079 S * 5/2007 Kim D7/340

1 Claim, 8 Drawing Sheets



(56)

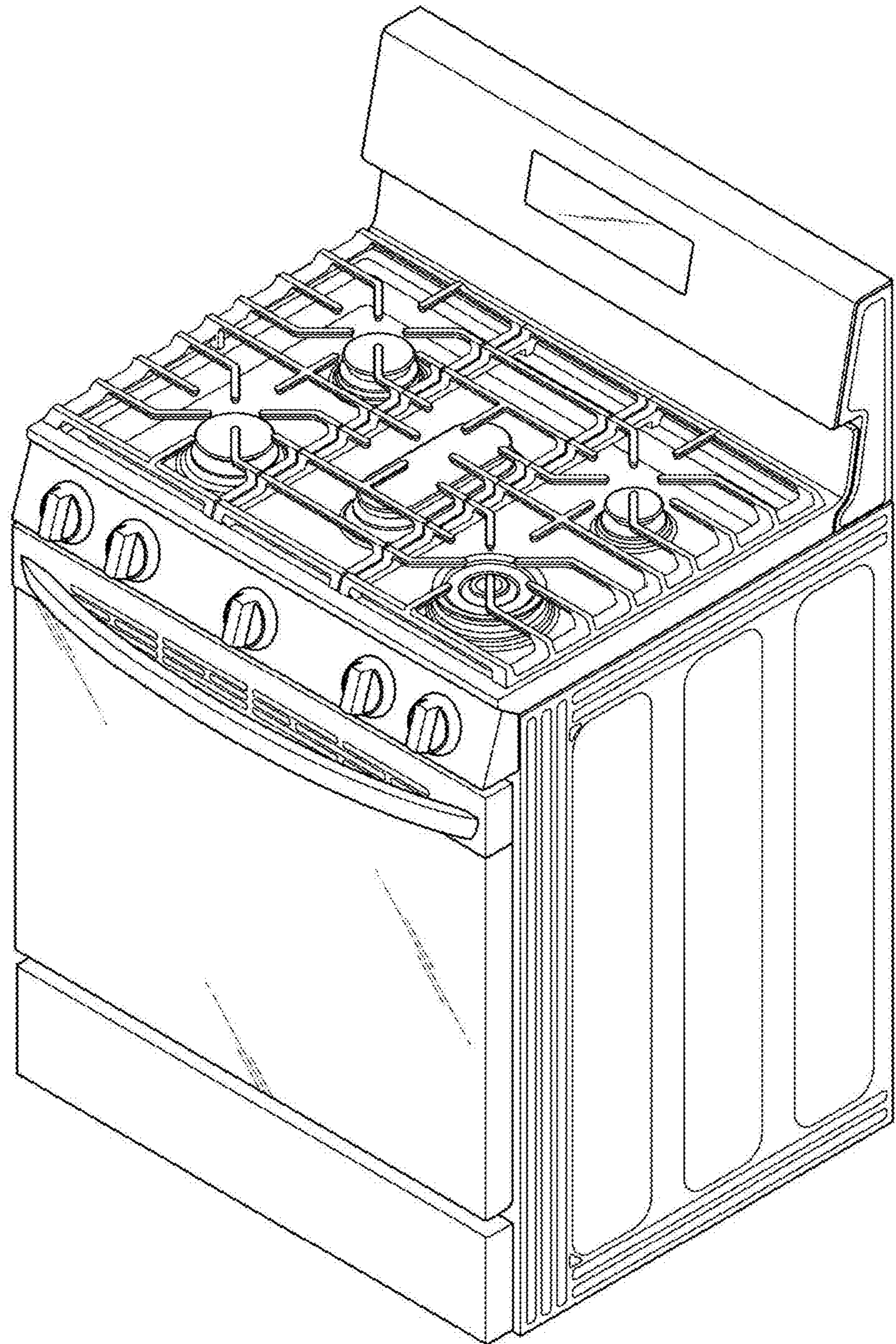
References Cited

U.S. PATENT DOCUMENTS

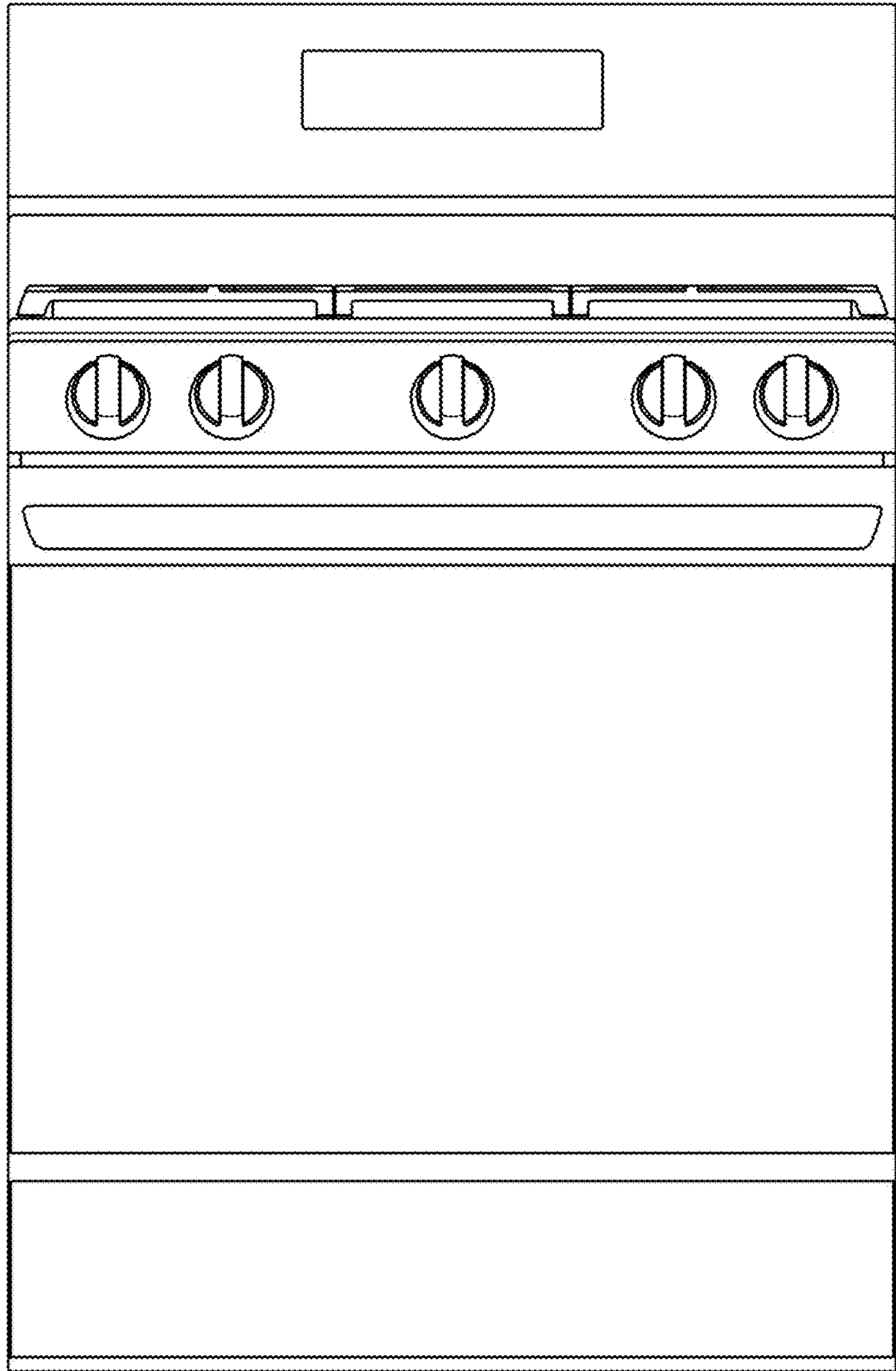
D859,054 S	*	9/2019	Kim	D7/340
D862,167 S	*	10/2019	Choi	D7/406
D871,823 S	*	1/2020	Choi	D7/340
D873,062 S	*	1/2020	Bell	D7/346
D880,216 S	*	4/2020	Lah	D7/340
D889,185 S	*	7/2020	Kim	D7/340
D893,237 S	*	8/2020	Choi	D7/339

* cited by examiner

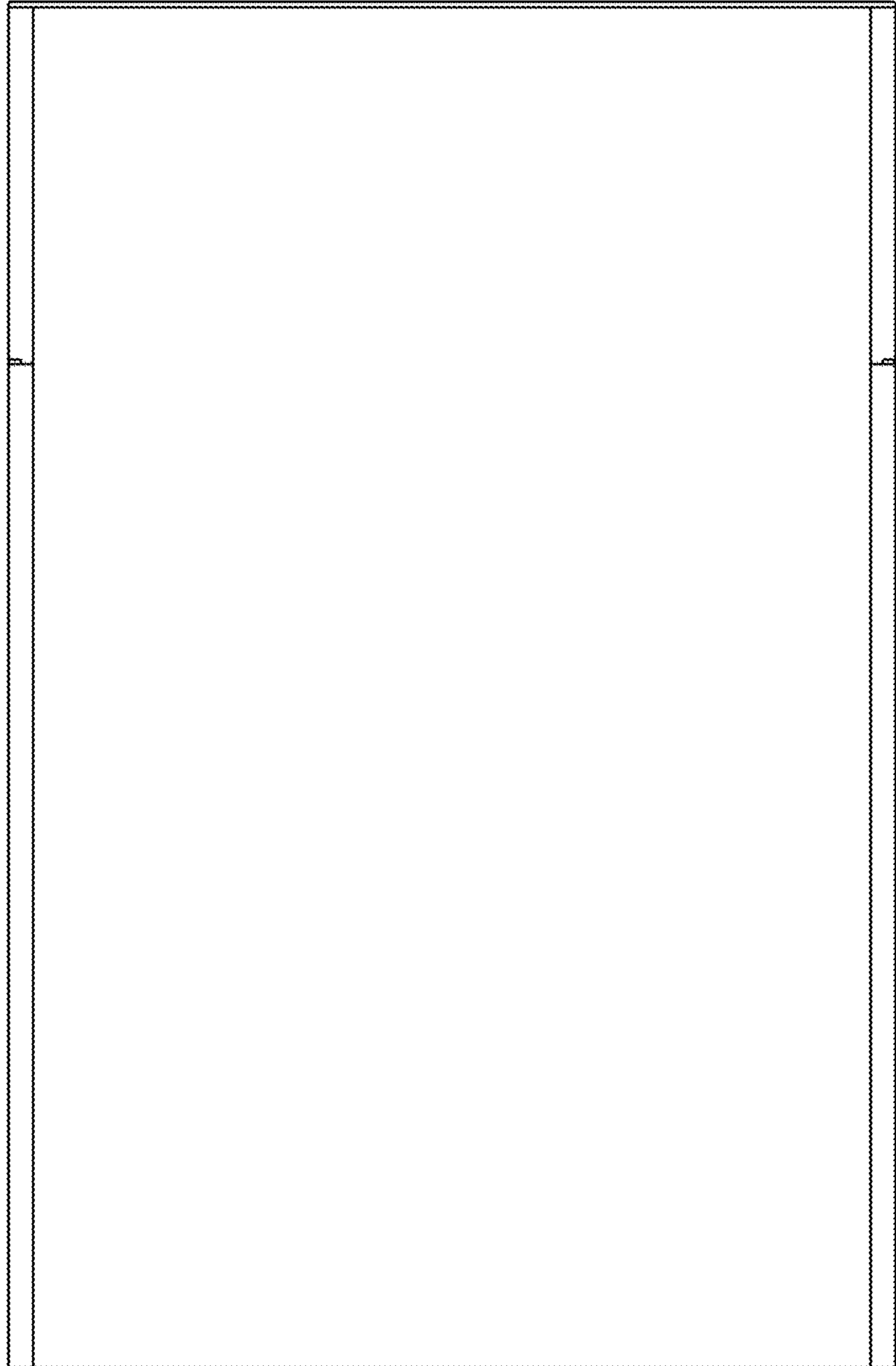
1.1



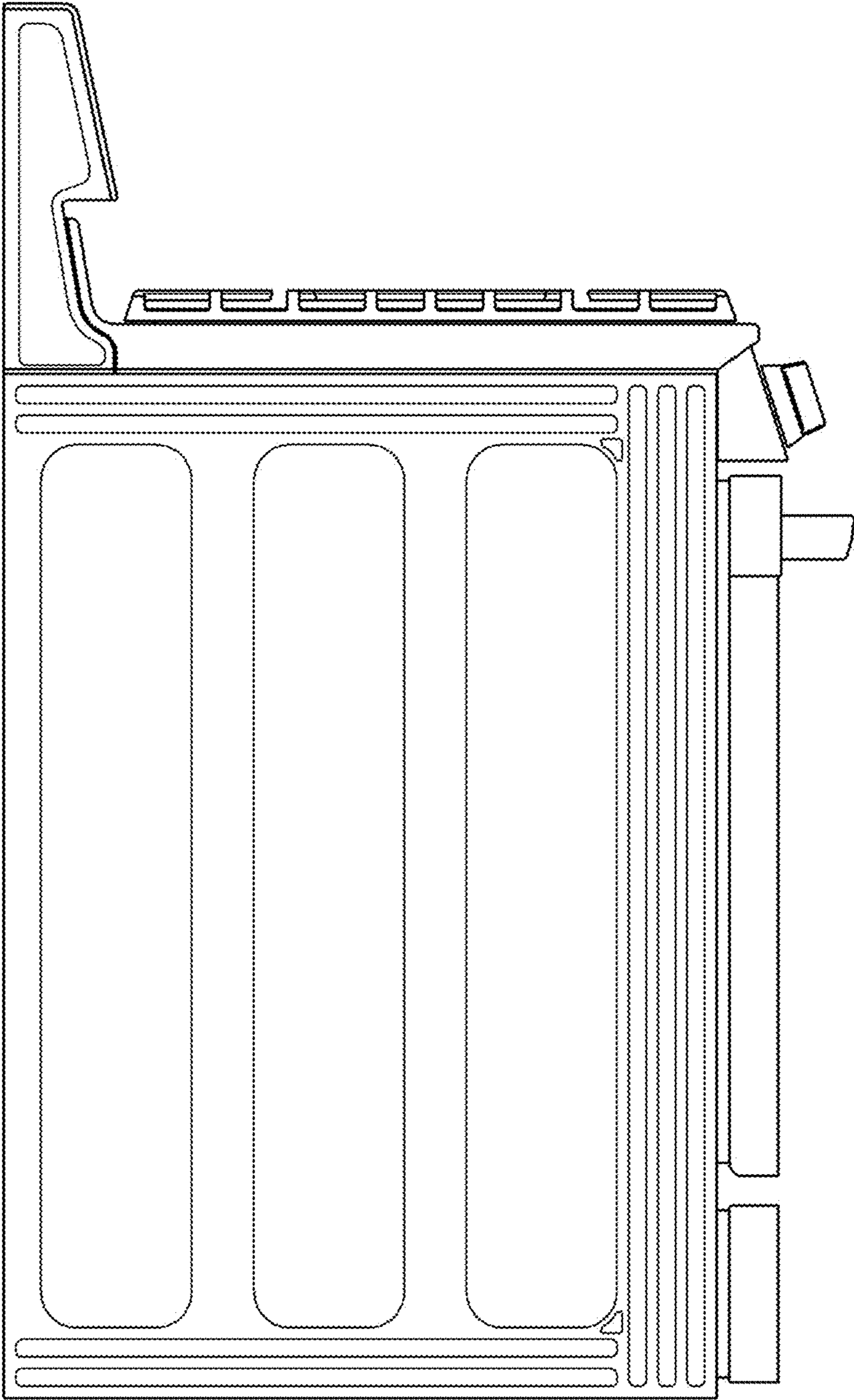
1.2



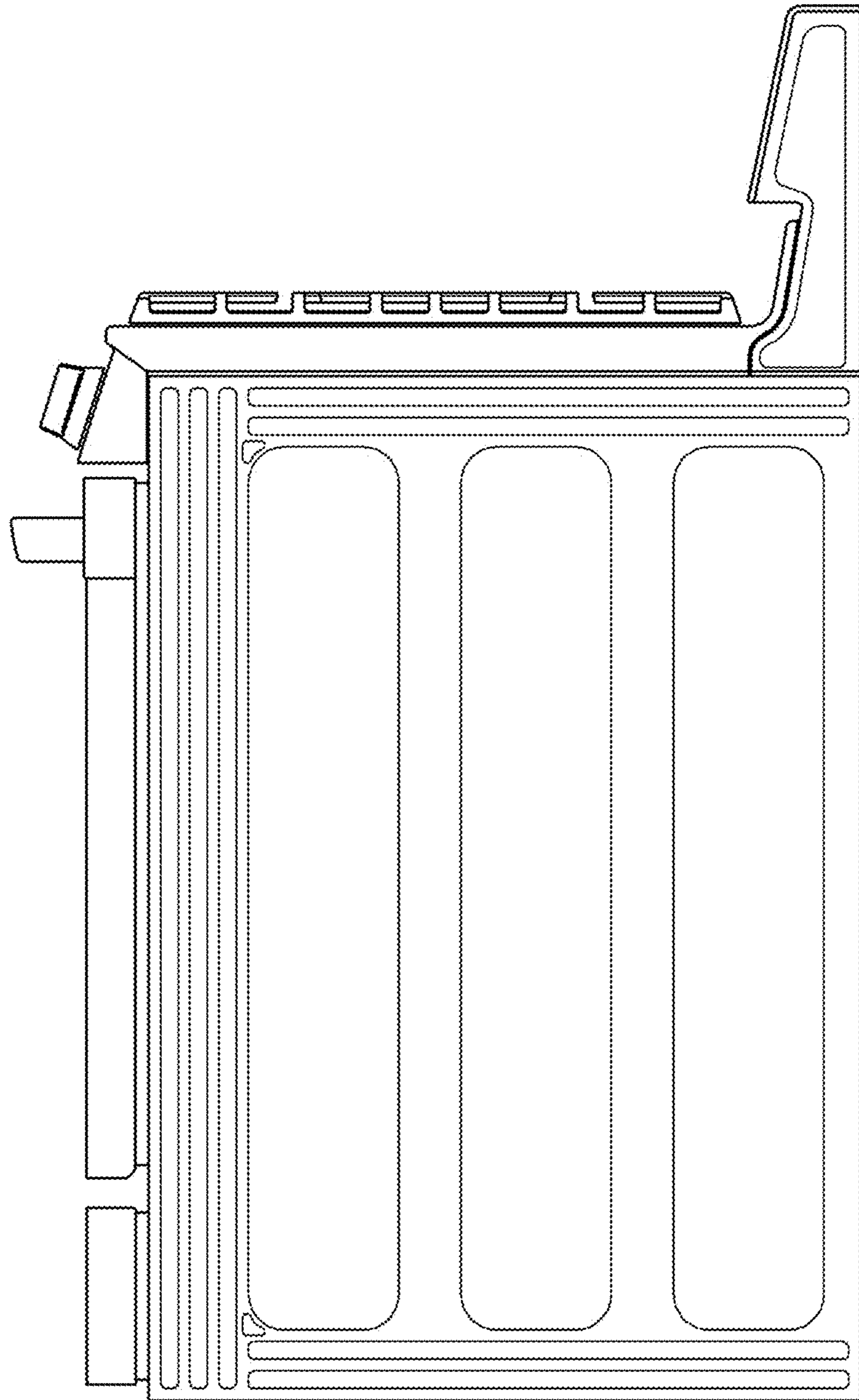
1.3



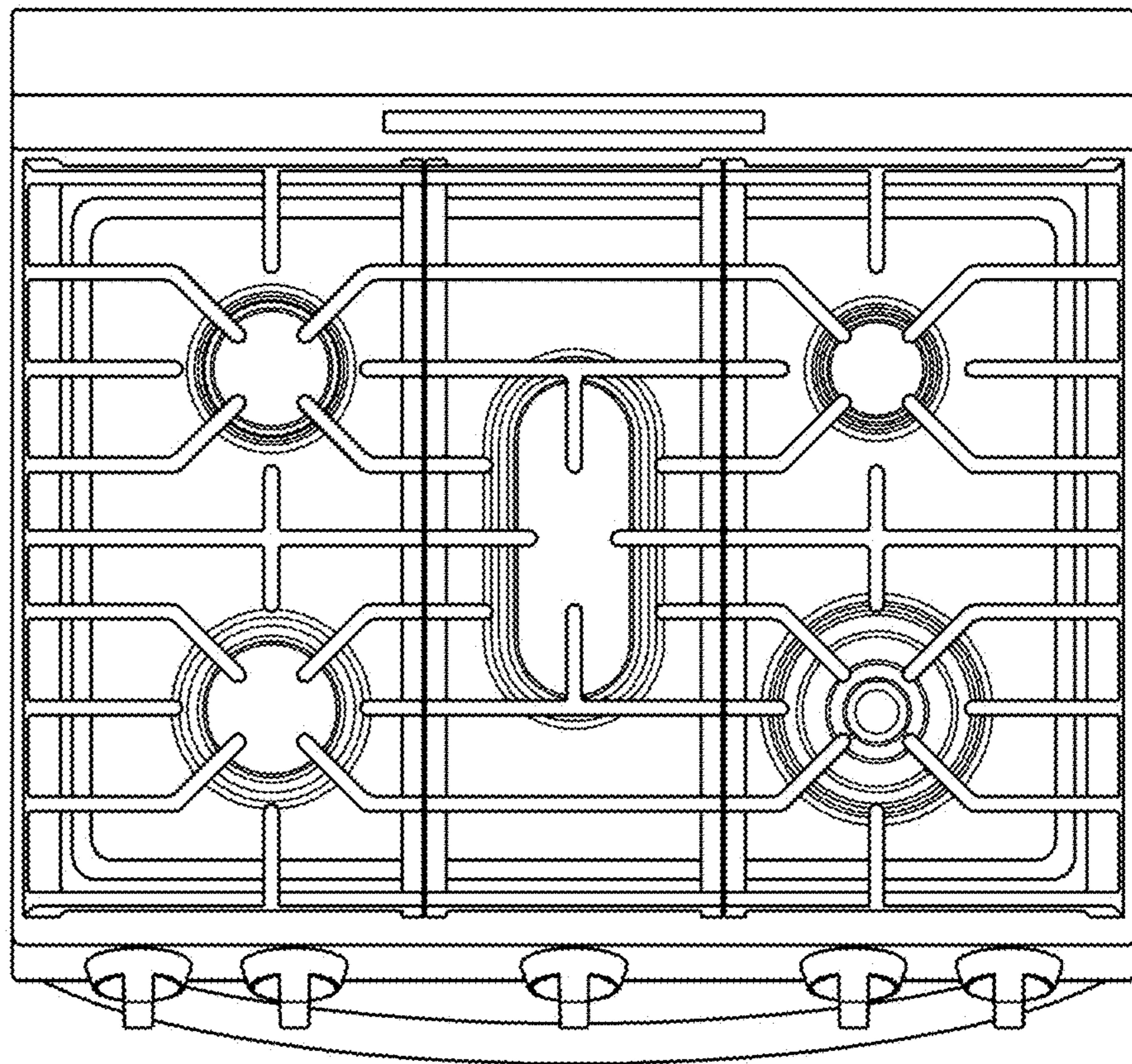
1.4



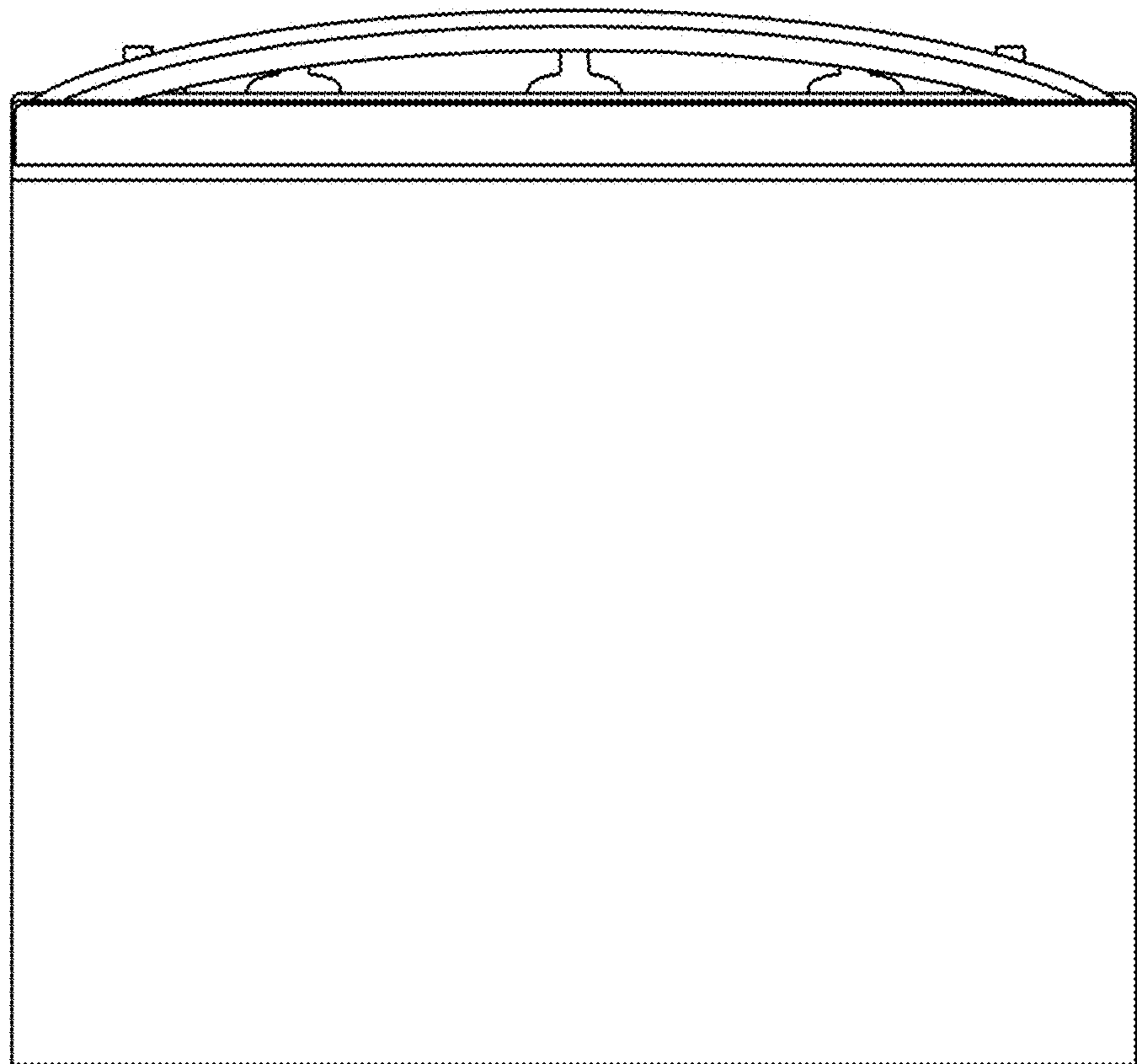
1.5



1.6



1.7



1.8

