



US00D928540S

(12) **United States Design Patent** (10) **Patent No.:** **US D928,540 S**
Kuipers (45) **Date of Patent:** **** Aug. 24, 2021**

(54) **SEPARATOR**

(71) Applicant: **Joseph P Kuipers**, Nokomis, FL (US)

(72) Inventor: **Joseph P Kuipers**, Nokomis, FL (US)

(**) Term: **15 Years**

(21) Appl. No.: **29/659,049**

(22) Filed: **Aug. 6, 2018**

Related U.S. Application Data

(63) Continuation-in-part of application No. 29/549,307, filed on Dec. 21, 2015, now Pat. No. Des. 824,705.

(51) **LOC (13) Cl.** **06-06**

(52) **U.S. Cl.**
USPC **D6/706**

(58) **Field of Classification Search**
USPC D6/328, 706, 512; D20/19, 42, 43
(Continued)

(56) **References Cited**

U.S. PATENT DOCUMENTS

D209,800 S * 1/1968 Brooks D6/706
D252,436 S * 7/1979 Elliott D6/706
(Continued)

Primary Examiner — Kelley A Donnelly
(74) *Attorney, Agent, or Firm* — Frijouf, Rust & Pyle P.A.

(57) **CLAIM**

The ornamental design for a separator, as shown and described.

DESCRIPTION

FIG. 1 is a top isometric view of a first embodiment of my new design for a separator;
FIG. 2 is a bottom isometric view thereof;
FIG. 3 is a top view thereof;

FIG. 4 is a bottom view thereof;
FIG. 5 is a bottom end view of FIG. 3;
FIG. 6 is a top end view of FIG. 3;
FIG. 7 is a left side view of FIG. 3;
FIG. 8 is a right side view of FIG. 3;
FIG. 9 is a top isometric view of a first variation of the first embodiment of my new design for a separator;
FIG. 10 is a bottom isometric view thereof;
FIG. 11 is a top view thereof;
FIG. 12 is a bottom view thereof;
FIG. 13 is a bottom end view of FIG. 11;
FIG. 14 is a top end view of FIG. 11;
FIG. 15 is a left side view of FIG. 11;
FIG. 16 is a right side view of FIG. 11;
FIG. 17 is a top isometric view of a second variation of the first embodiment of my new design for a separator;
FIG. 18 is a bottom isometric view thereof;
FIG. 19 is a top view thereof;
FIG. 20 is a bottom view thereof;
FIG. 21 is a bottom end view of FIG. 19;
FIG. 22 is a top end view of FIG. 19;
FIG. 23 is a left side view of FIG. 19;
FIG. 24 is a right side view of FIG. 19;
FIG. 25 is a top isometric view of a third variation of the first embodiment of my new design for a separator;
FIG. 26 is a bottom isometric view thereof;
FIG. 27 is a top view thereof;
FIG. 28 is a bottom view thereof;
FIG. 29 is a bottom end view of FIG. 27;
FIG. 30 is a top end view of FIG. 27;
FIG. 31 is a left side view of FIG. 27;
FIG. 32 is a right side view of FIG. 27;
FIG. 33 is a top isometric view of a second embodiment of my new design for a separator;
FIG. 34 is a bottom isometric view thereof;
FIG. 35 is a top view thereof;
FIG. 36 is a bottom view thereof;
FIG. 37 is a bottom end view of FIG. 35;
FIG. 38 is a top end view of FIG. 35;
FIG. 39 is a left side view of FIG. 35;
FIG. 40 is a right side view of FIG. 35;
FIG. 41 is a top isometric view of a first variation of the second embodiment of my new design for a separator;

(Continued)

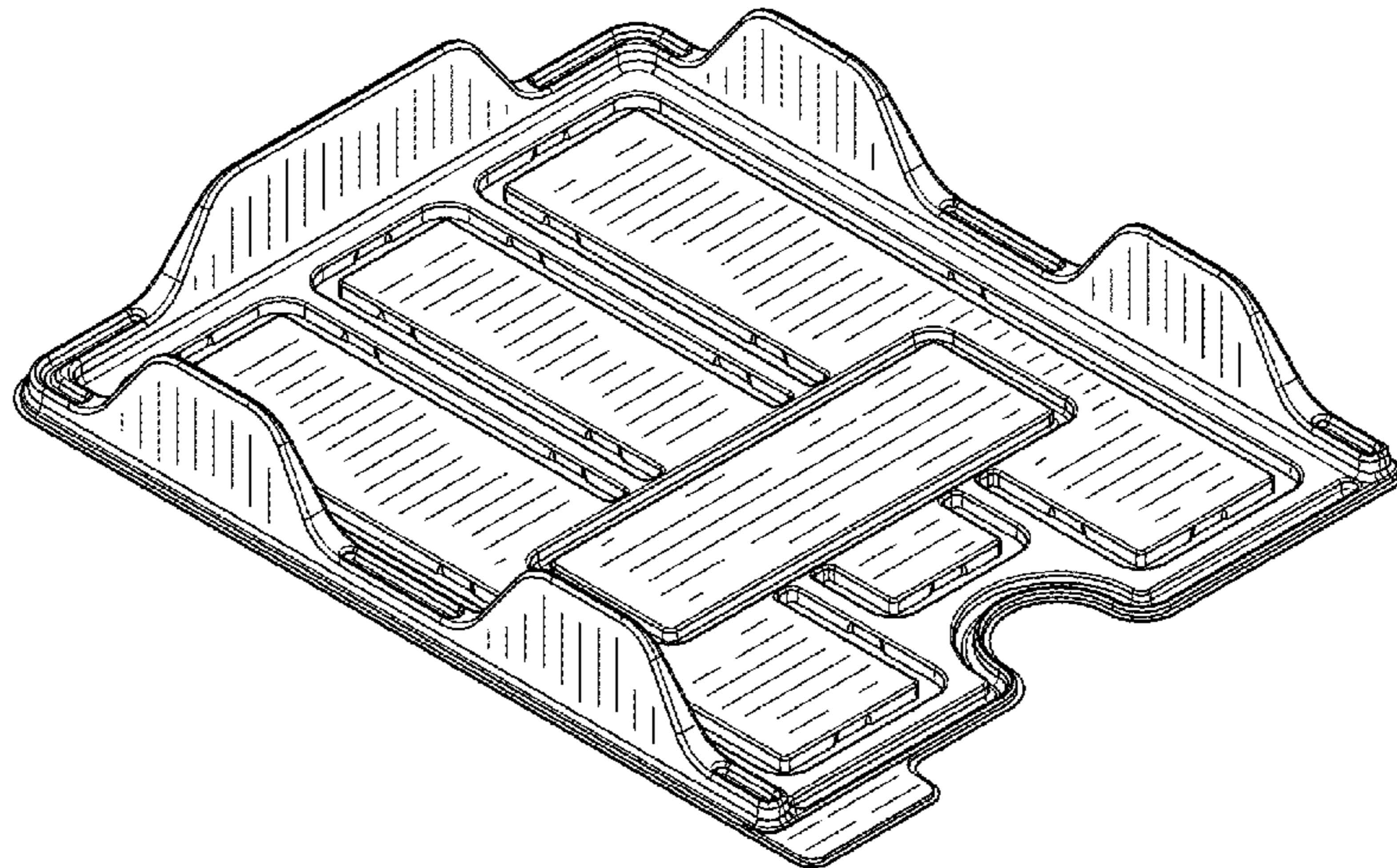


FIG. 42 is a bottom isometric view thereof;
 FIG. 43 is a top view thereof;
 FIG. 44 is a bottom view thereof;
 FIG. 45 is a bottom end view of FIG. 43;
 FIG. 46 is a top end view of FIG. 43;
 FIG. 47 is a left side view of FIG. 43;
 FIG. 48 is a right side view of FIG. 43;
 FIG. 49 is a top isometric view of a second variation of the second embodiment of my new design for a separator;
 FIG. 50 is a bottom isometric view thereof;
 FIG. 51 is a top view thereof;
 FIG. 52 is a bottom view thereof;
 FIG. 53 is a bottom end view of FIG. 51;
 FIG. 54 is a top end view of FIG. 51;
 FIG. 55 is a left side view of FIG. 51;
 FIG. 56 is a right side view of FIG. 51;
 FIG. 57 is a top isometric view of a third variation of the second embodiment of my new design for a separator;
 FIG. 58 is a bottom isometric view thereof;
 FIG. 59 is a top view thereof;
 FIG. 60 is a bottom view thereof;
 FIG. 61 is a bottom end view of FIG. 59;
 FIG. 62 is a top end view of FIG. 59;
 FIG. 63 is a left side view of FIG. 59; and,
 FIG. 64 is a right side view of FIG. 59.

1 Claim, 24 Drawing Sheets

(58) **Field of Classification Search**

CPC A47B 96/04; A47B 2210/06; B29L
 2007/002; A45C 2013/026; A45C
 2200/15

See application file for complete search history.

(56) **References Cited**

U.S. PATENT DOCUMENTS

D283,468	S	*	4/1986	Steinhilber	D6/315
D304,887	S	*	12/1989	Carlson	D6/706
D309,389	S	*	7/1990	Hockenberry	D6/705.7
D312,545	S	*	12/1990	Cohn	D30/120
D329,157	S	*	9/1992	Santucci	D6/705.7
D354,066	S	*	1/1995	Young	D15/147
D494,394	S	*	8/2004	Leong-Son	D6/706
D503,574	S	*	4/2005	Yao	D19/75
D511,060	S	*	11/2005	Linden	D6/706
D550,070	S	*	9/2007	Lucht	D8/381
D581,985	S	*	12/2008	Spratt	D20/42
D613,100	S	*	4/2010	Chancey	D6/706
D619,393	S	*	7/2010	Golias	D6/706
D697,974	S	*	1/2014	Valls	D20/19
D702,068	S	*	4/2014	Mitten	D6/706
D820,016	S	*	6/2018	Pena	D6/706
D824,705	S	*	8/2018	Kuipers	D6/706
D839,647	S	*	2/2019	Hernandez	D6/706
D843,149	S	*	3/2019	Nilsson	D6/706
D864,636	S	*	10/2019	Rollins	A47F 5/0043 D6/706
D885,813	S	*	6/2020	Snell	D6/706
2008/0308439	A1	*	12/2008	Lidster	B65D 5/68 206/423

* cited by examiner

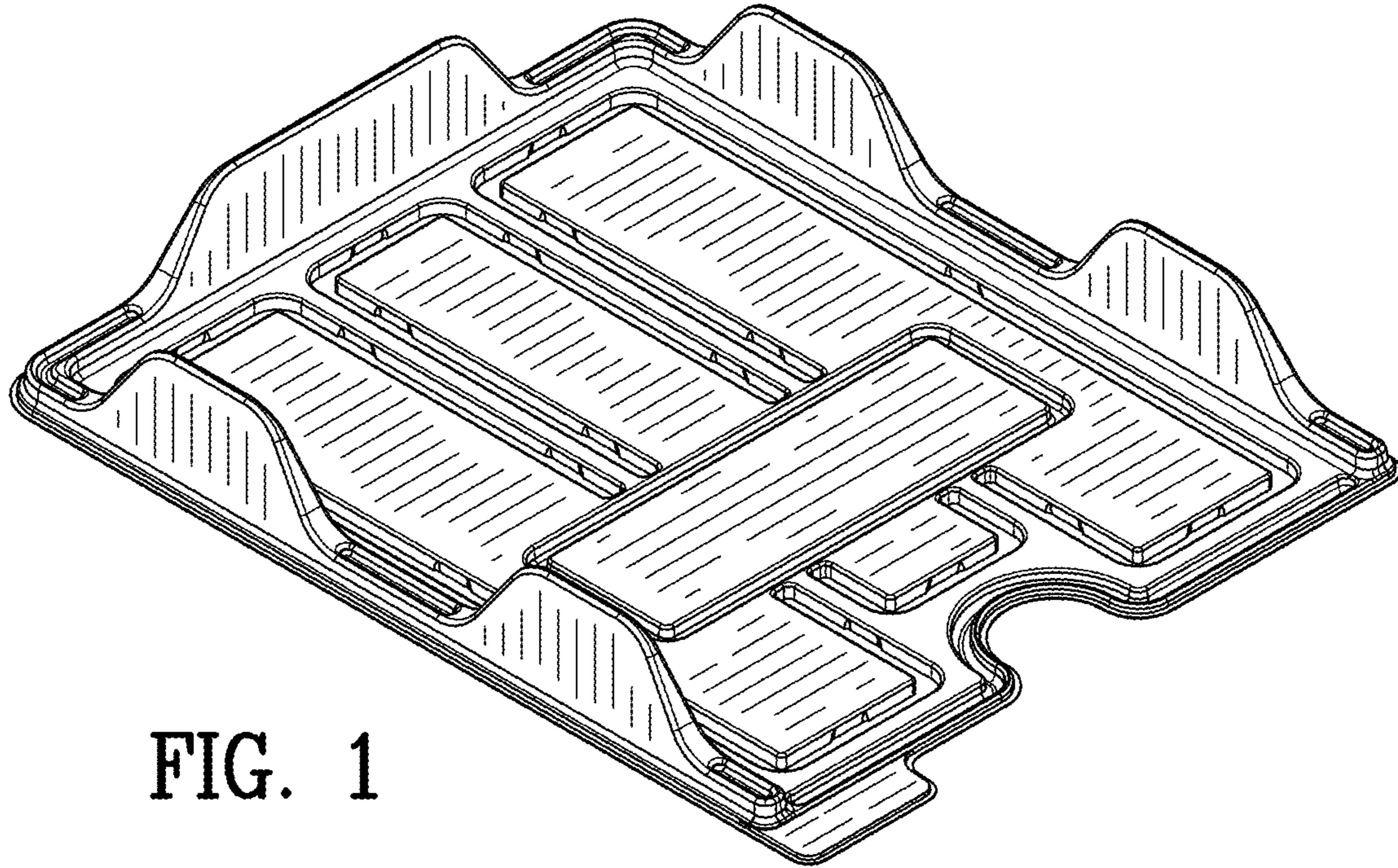


FIG. 1

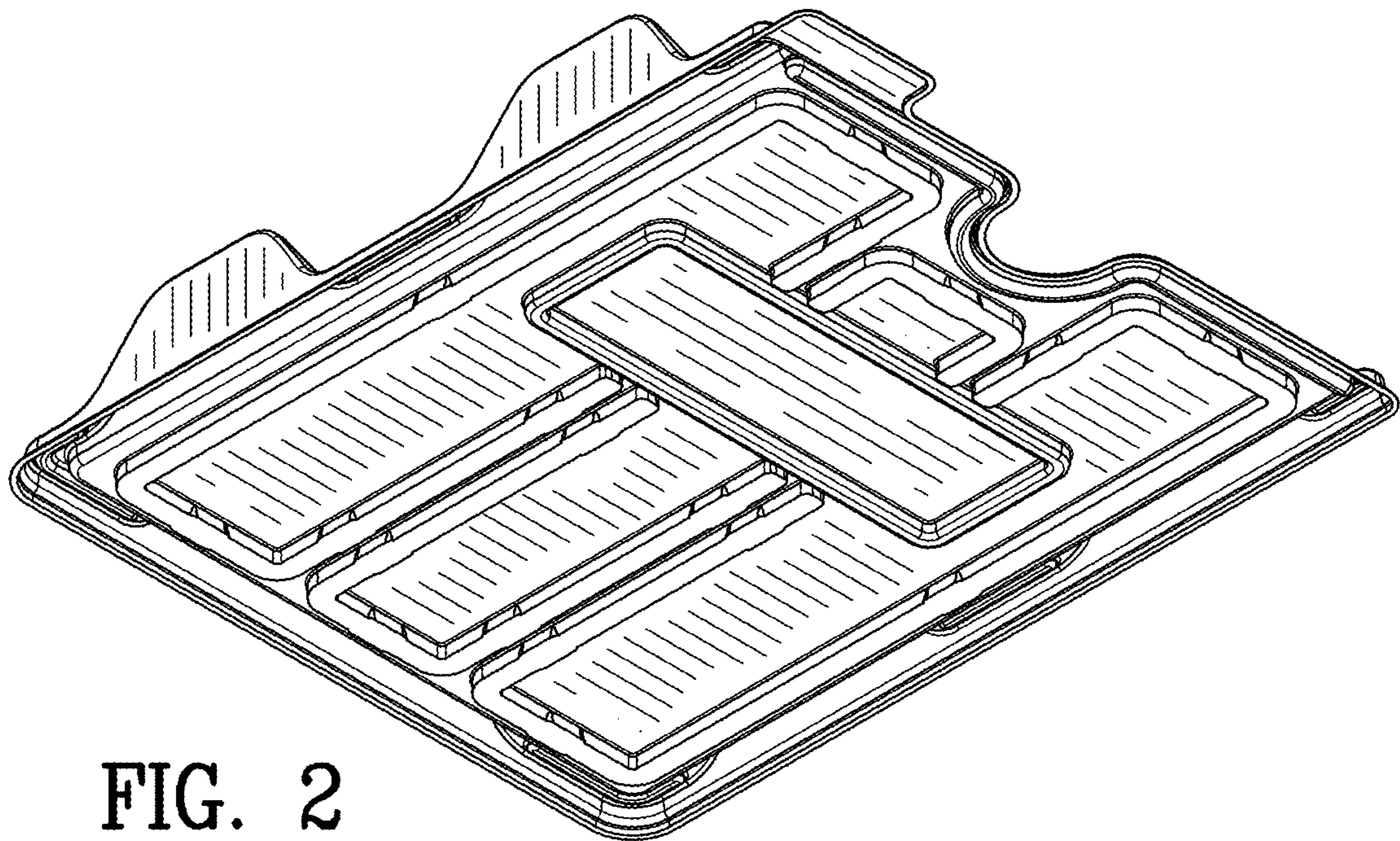


FIG. 2

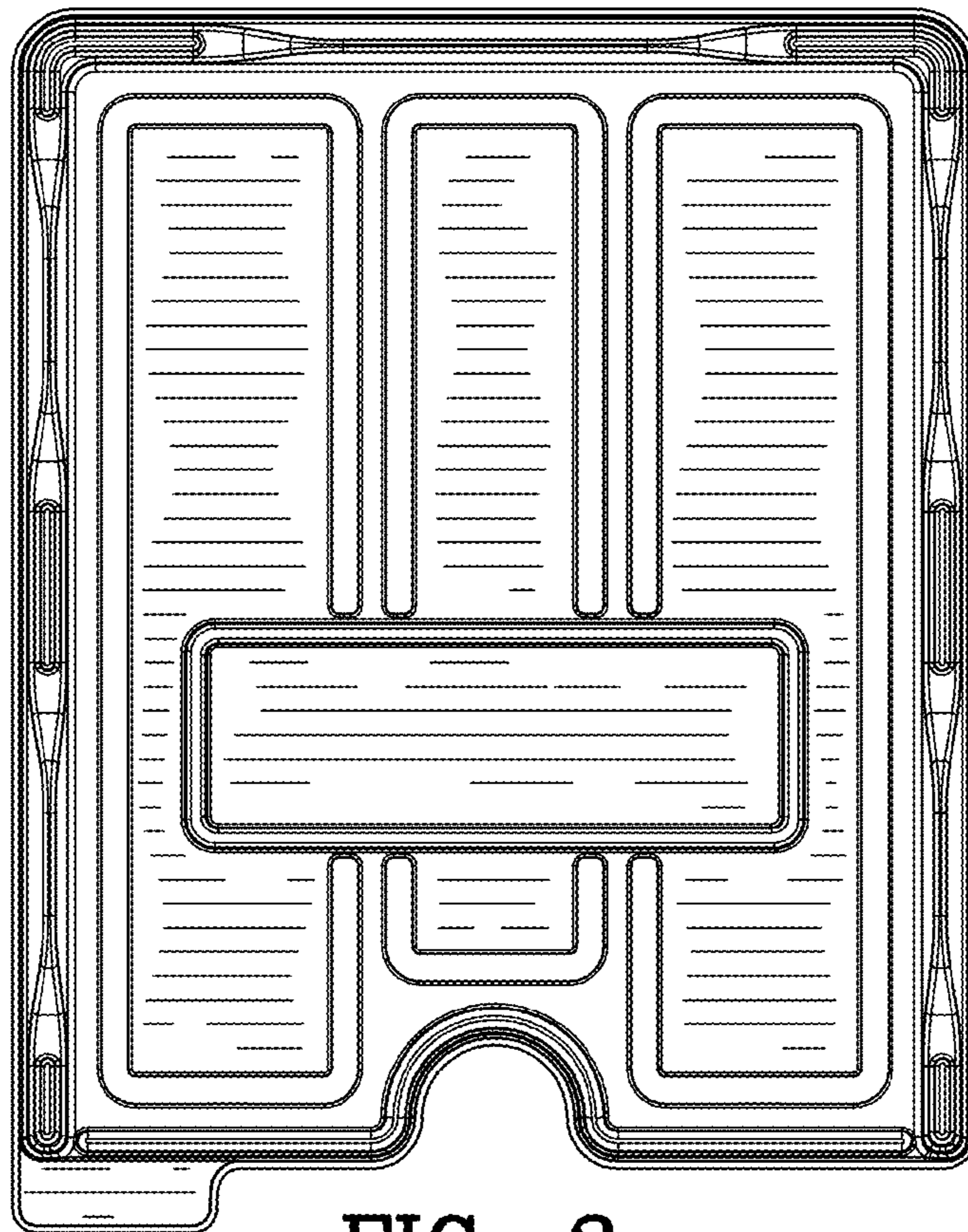


FIG. 3

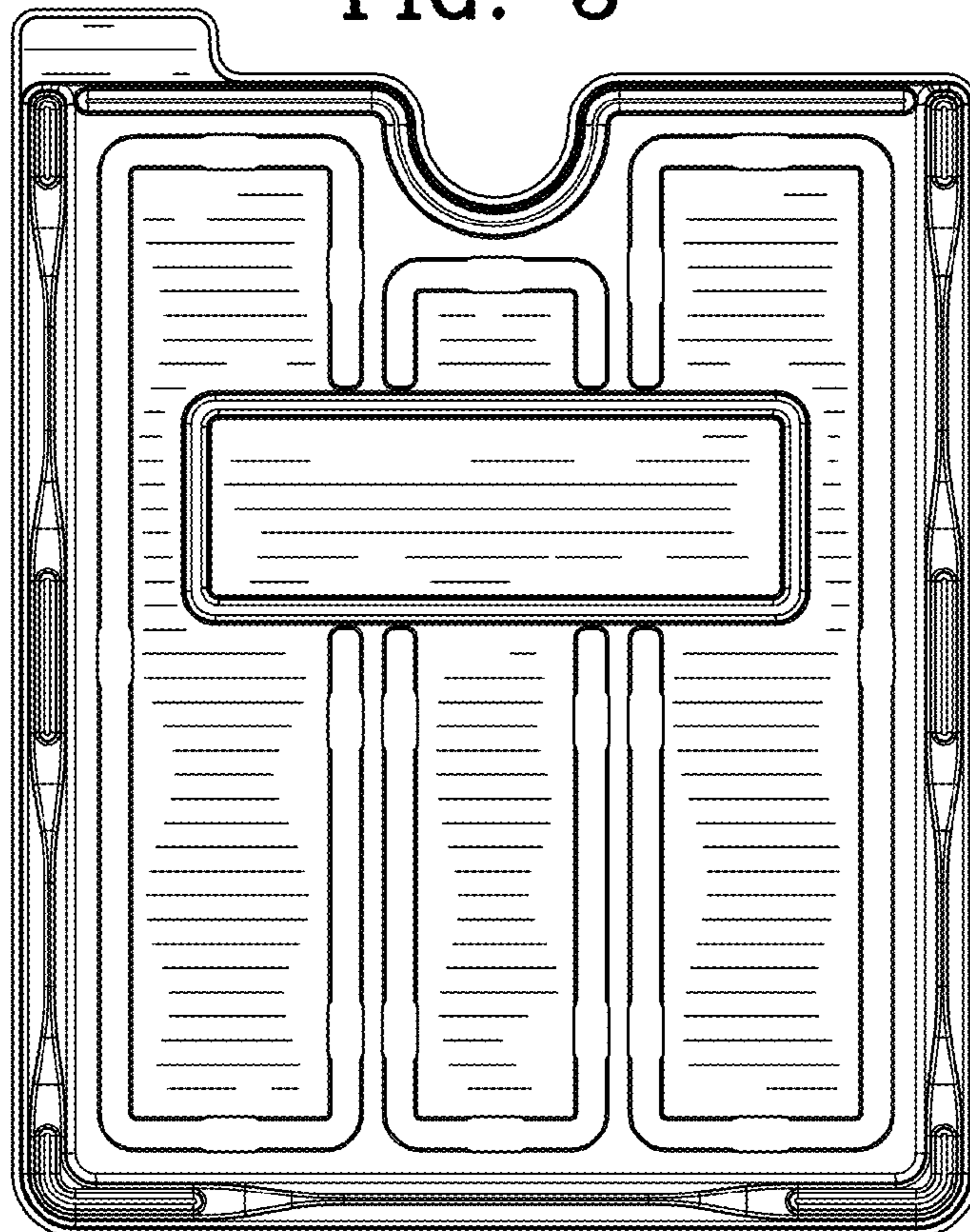


FIG. 4

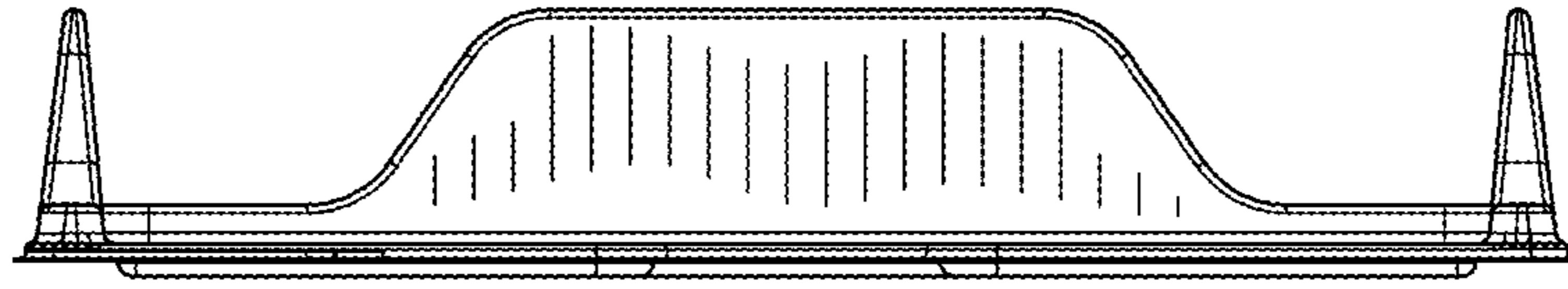


FIG. 5

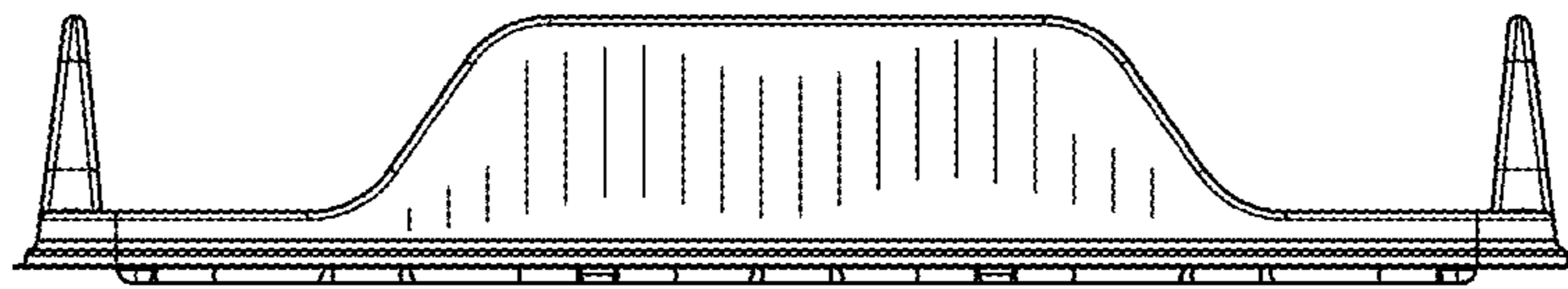


FIG. 6

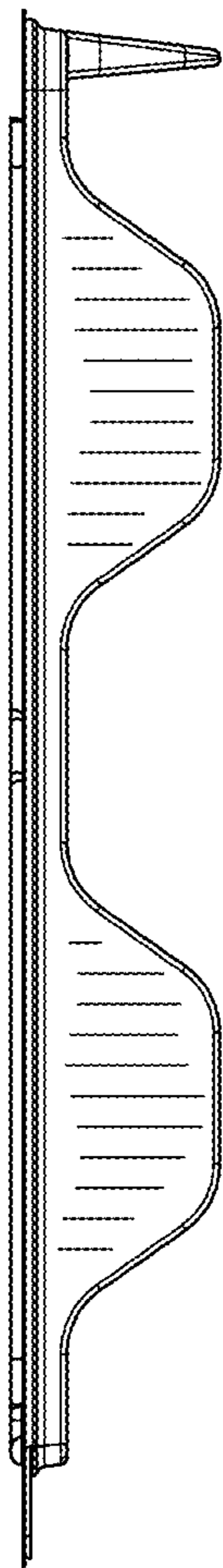


FIG. 7

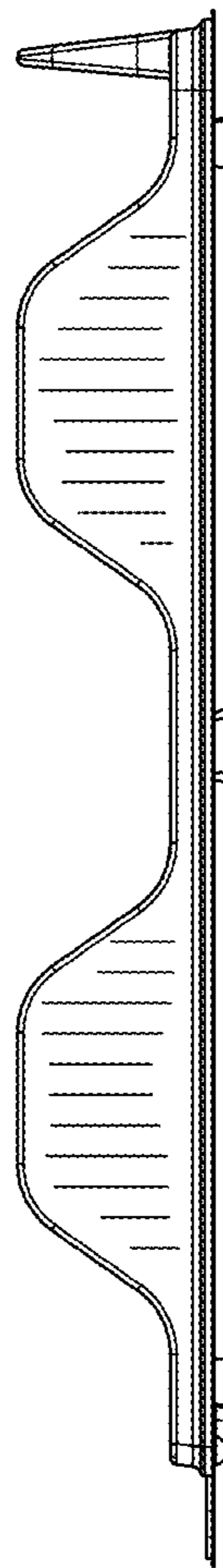


FIG. 8

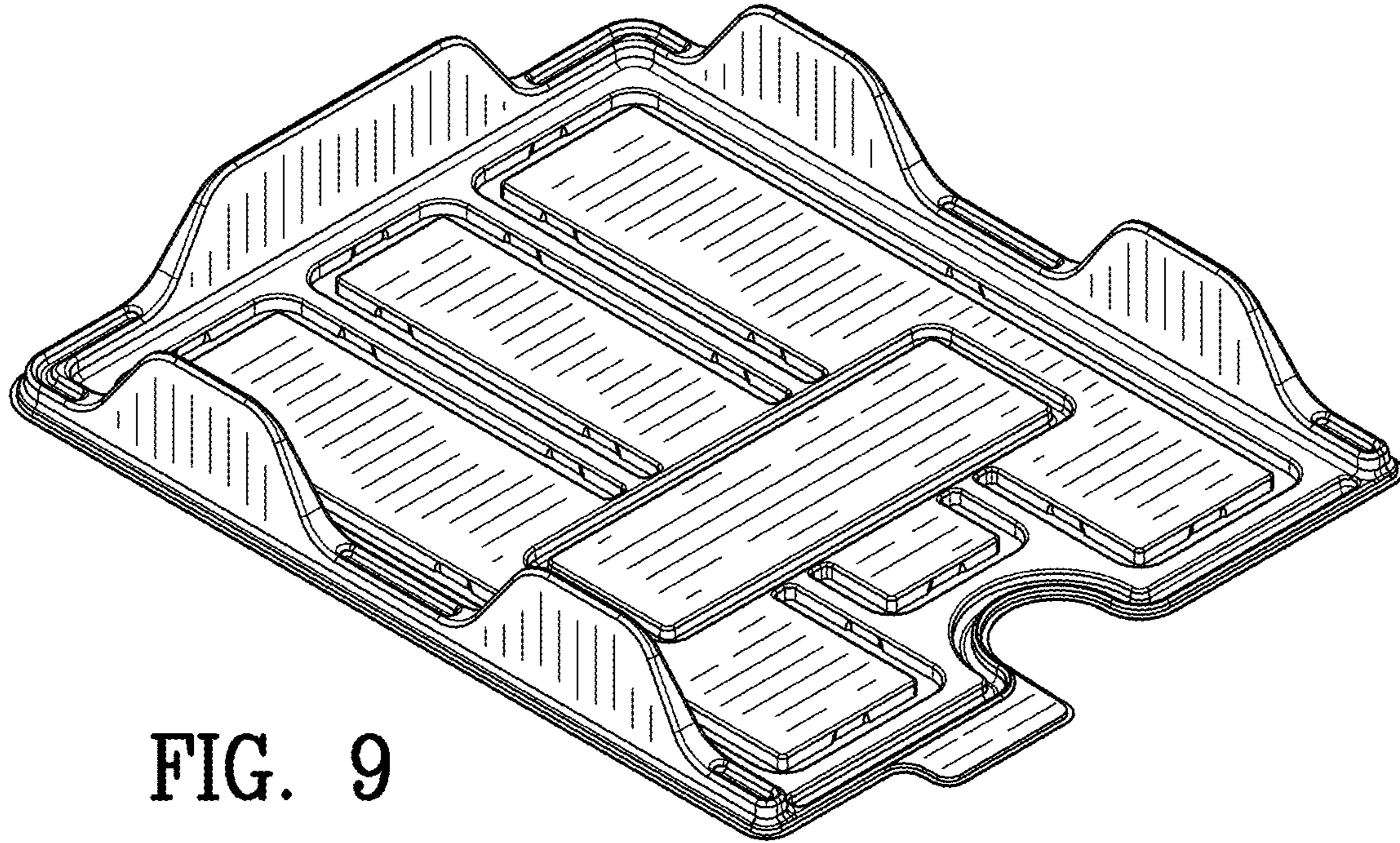


FIG. 9

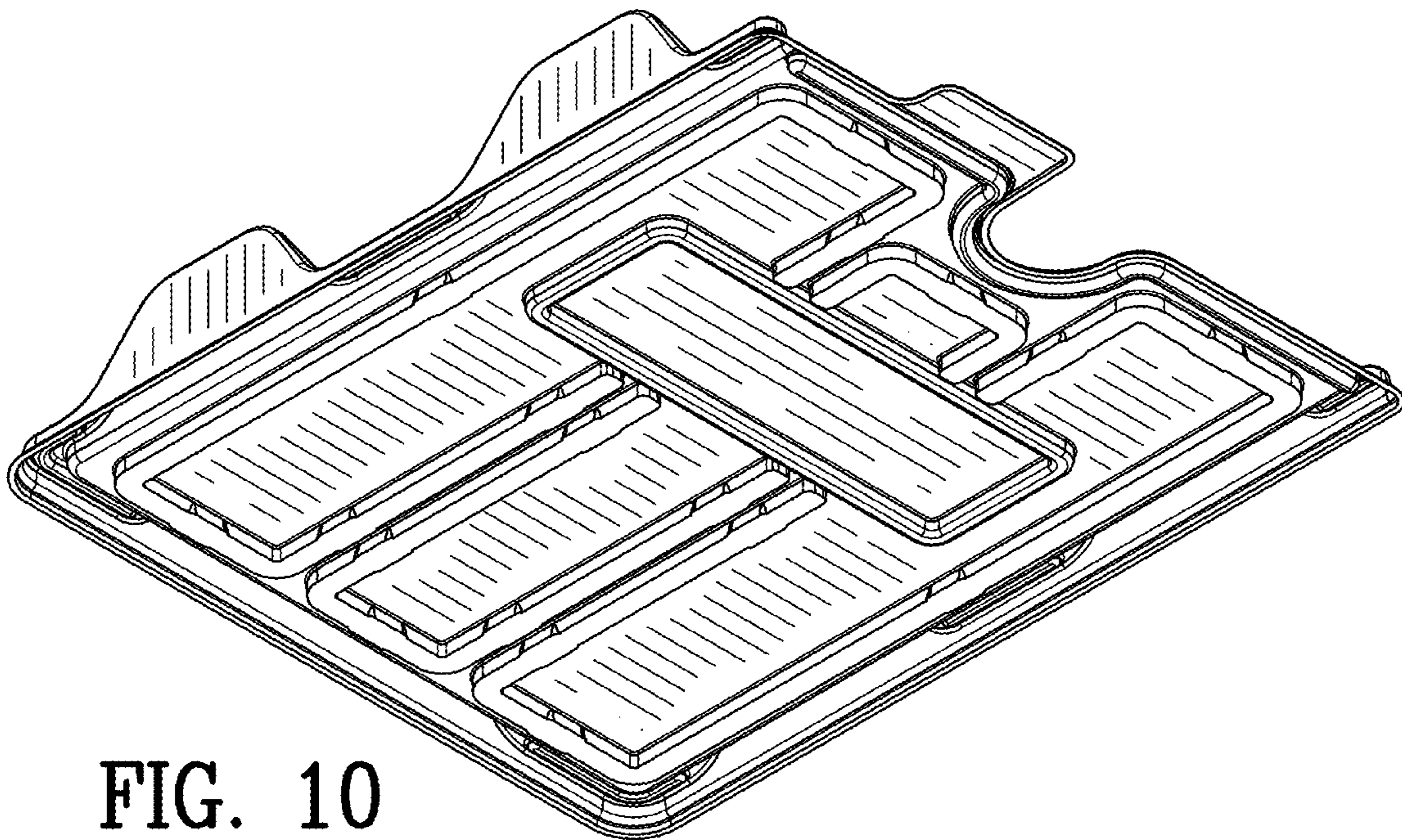


FIG. 10

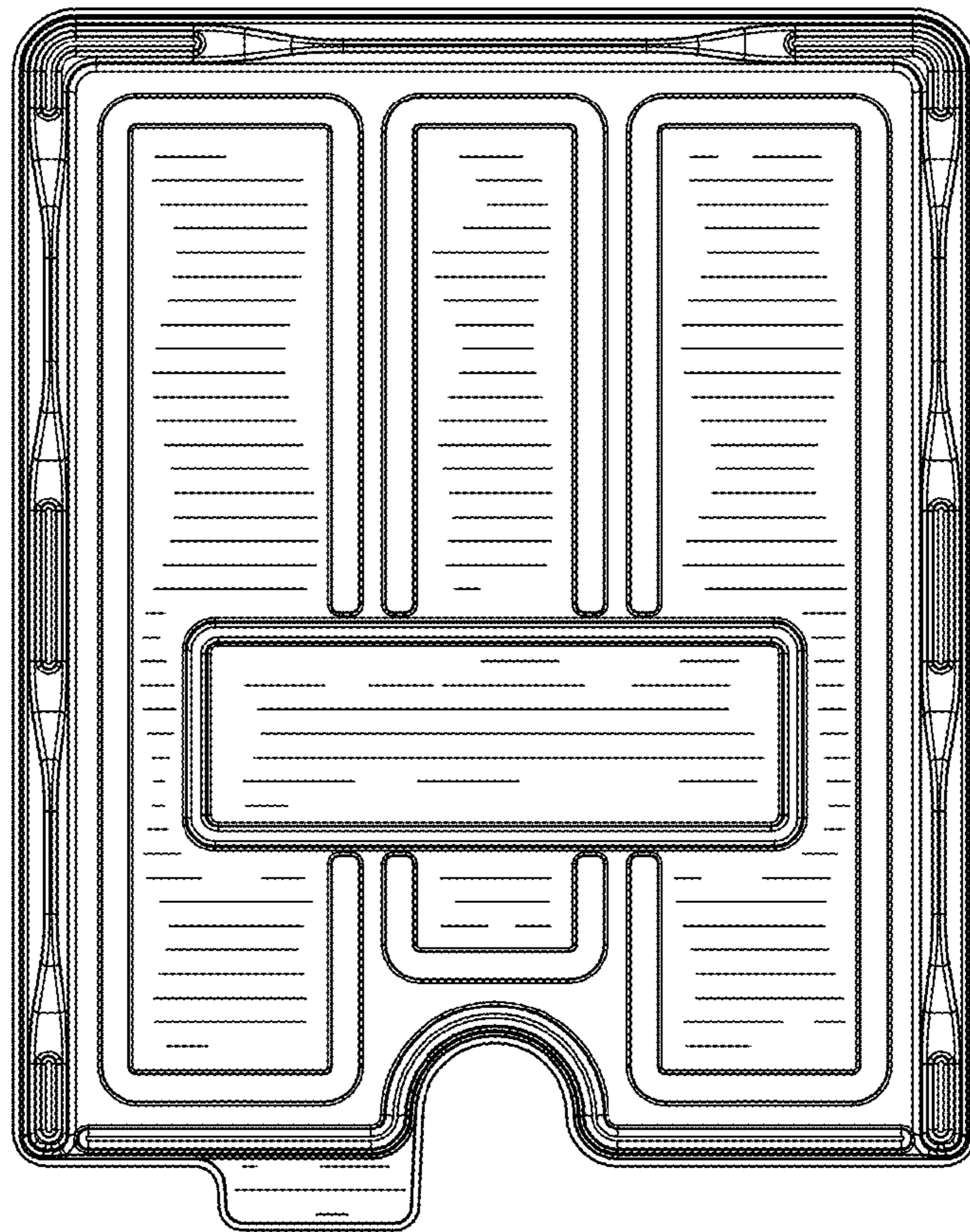


FIG. 11

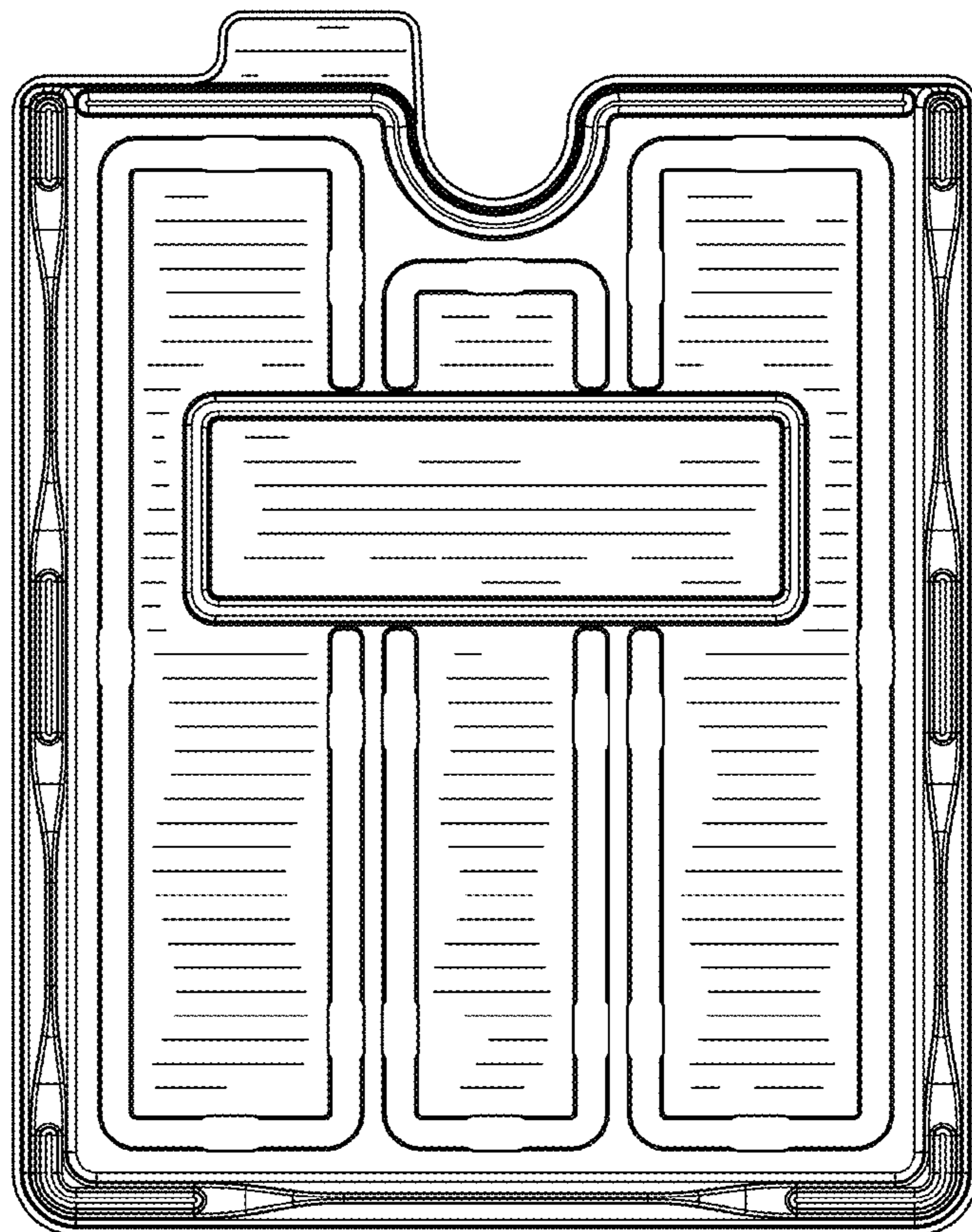


FIG. 12

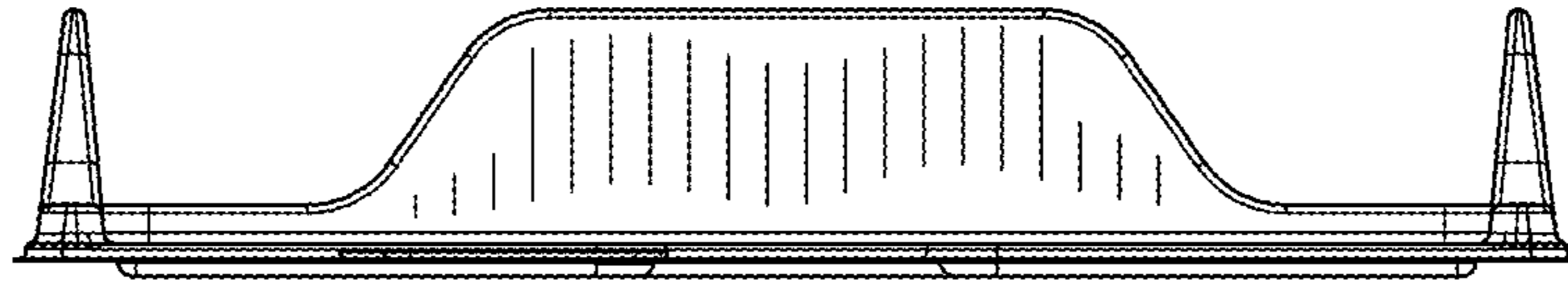


FIG. 13

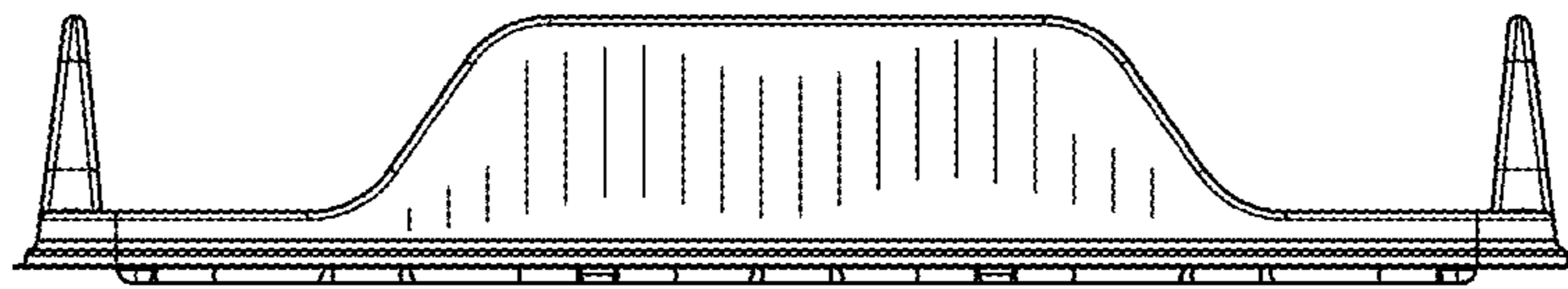


FIG. 14

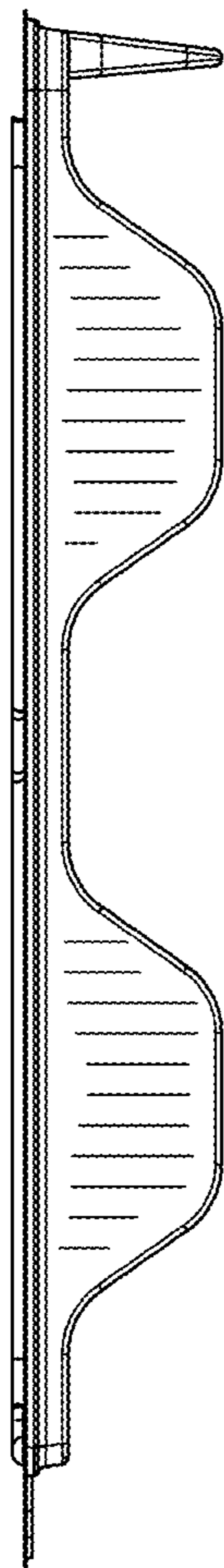


FIG. 15

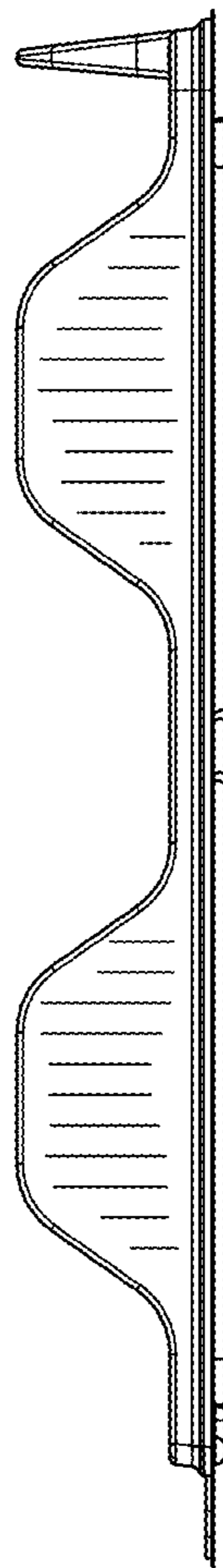


FIG. 16

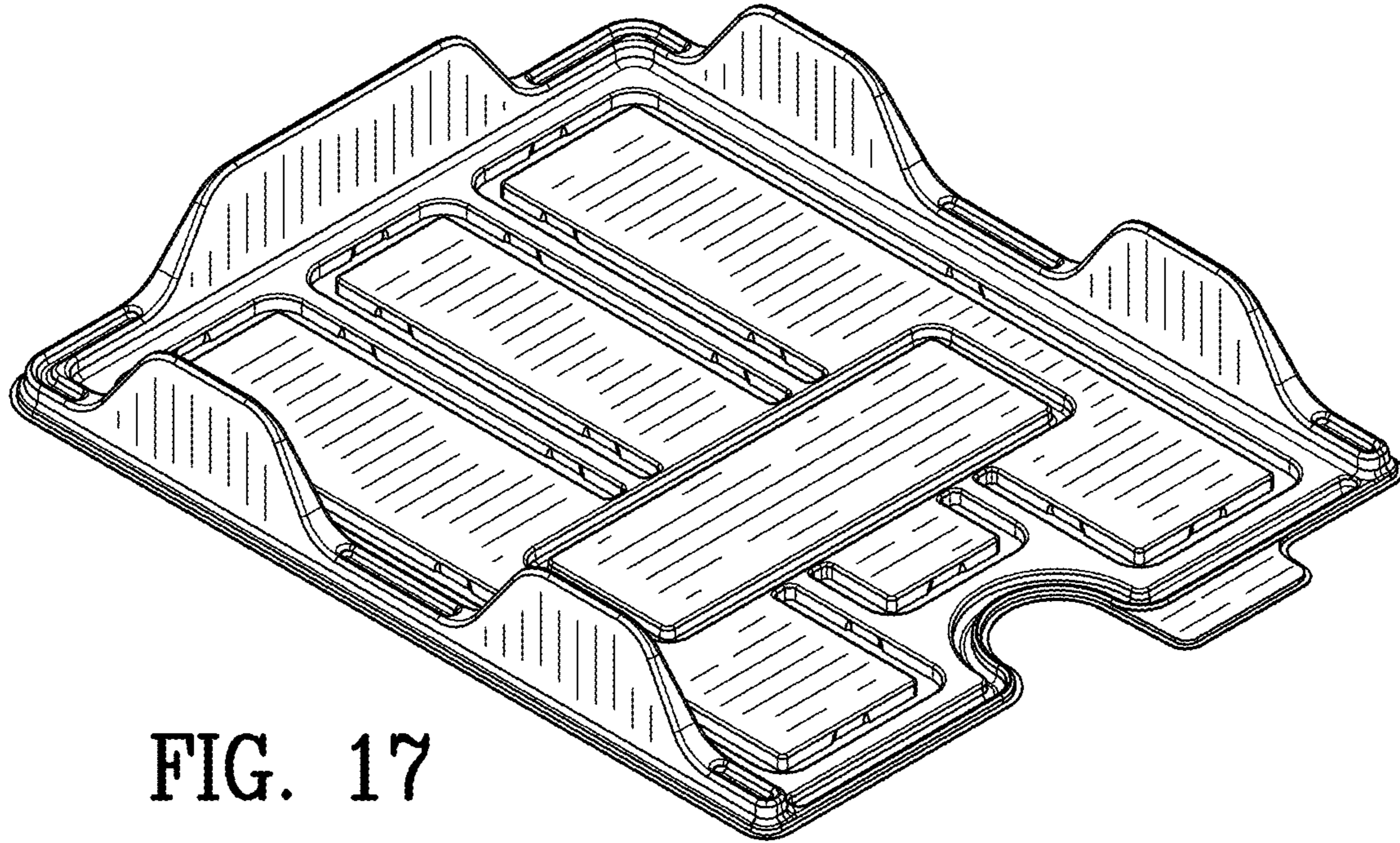


FIG. 17

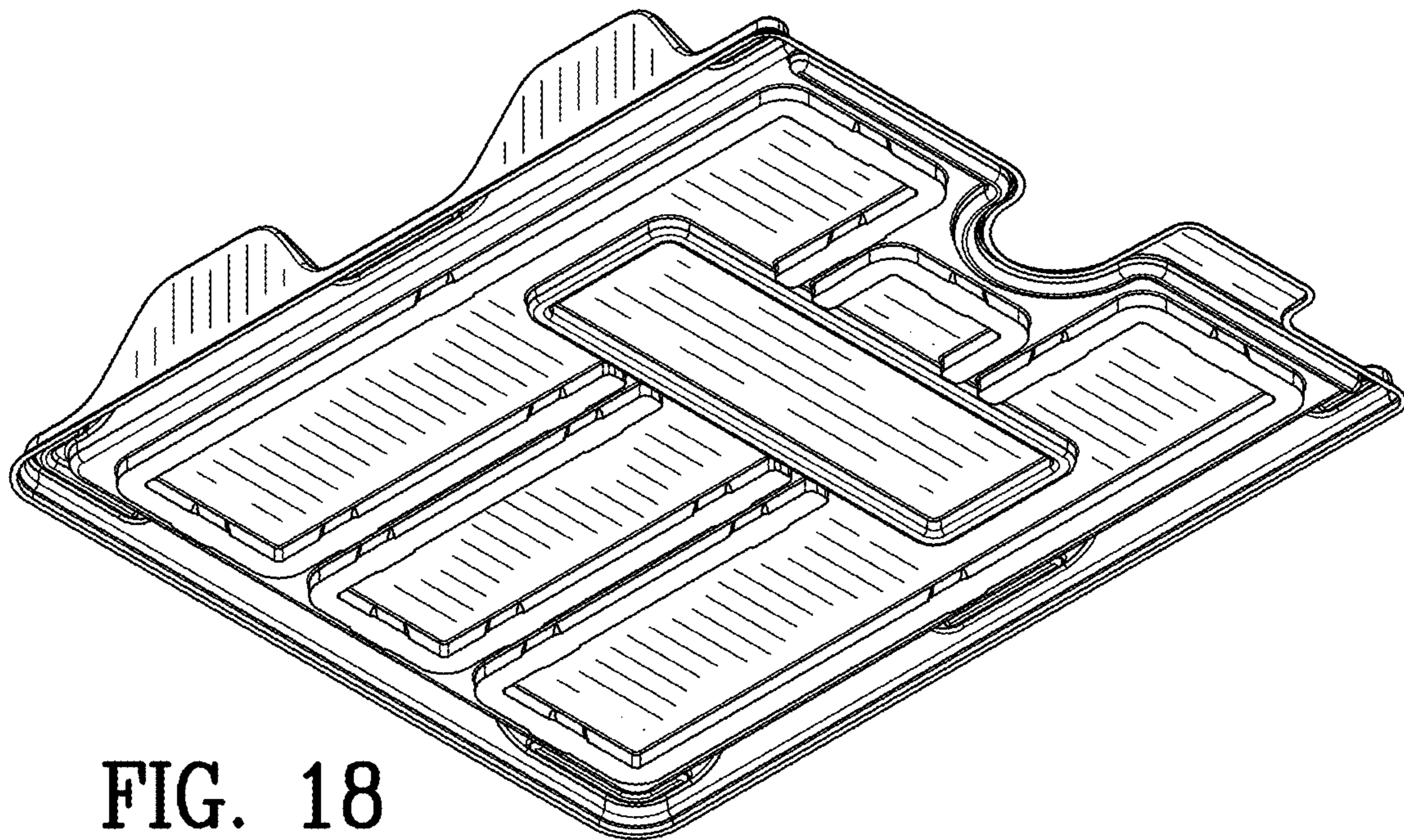


FIG. 18

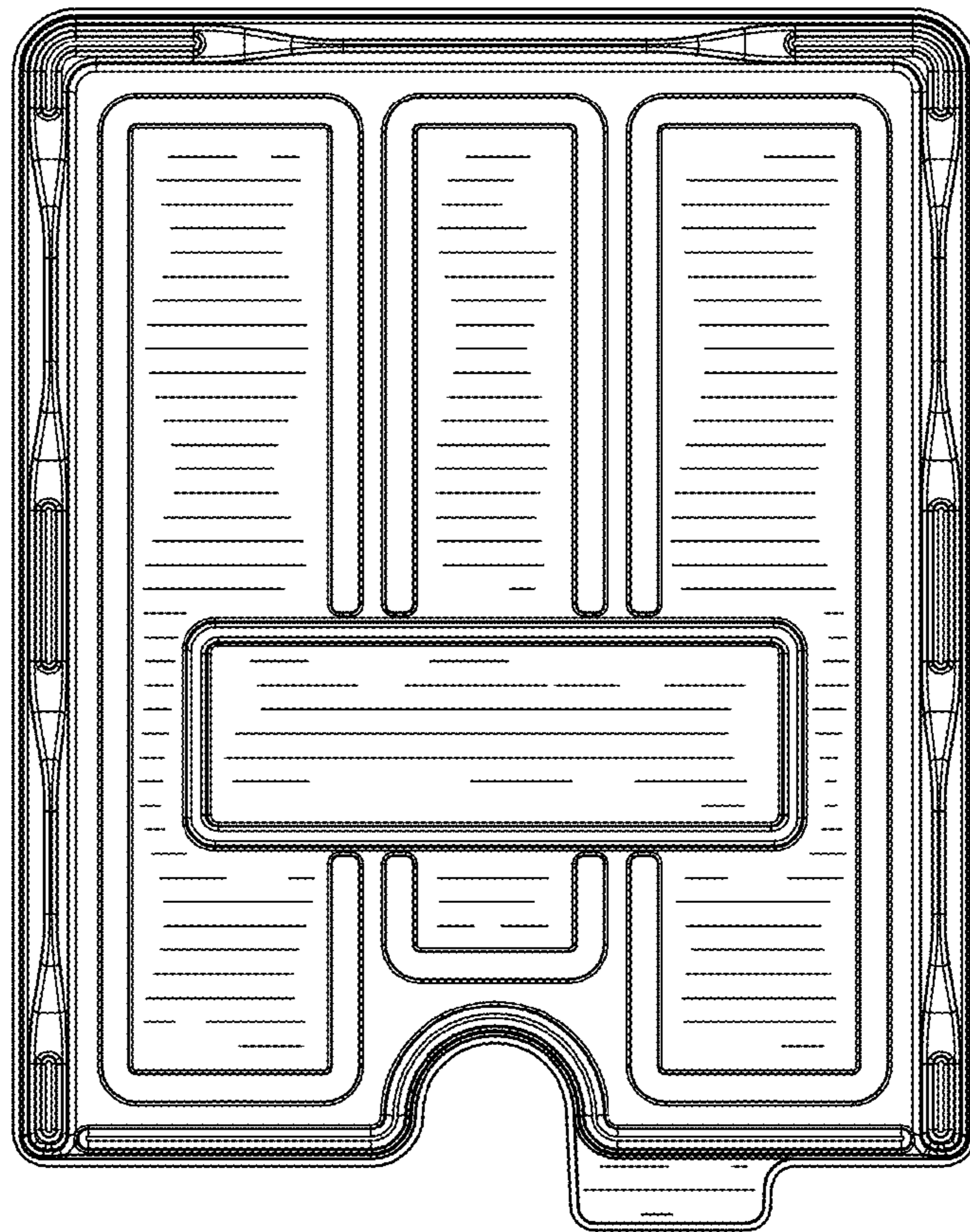


FIG. 19

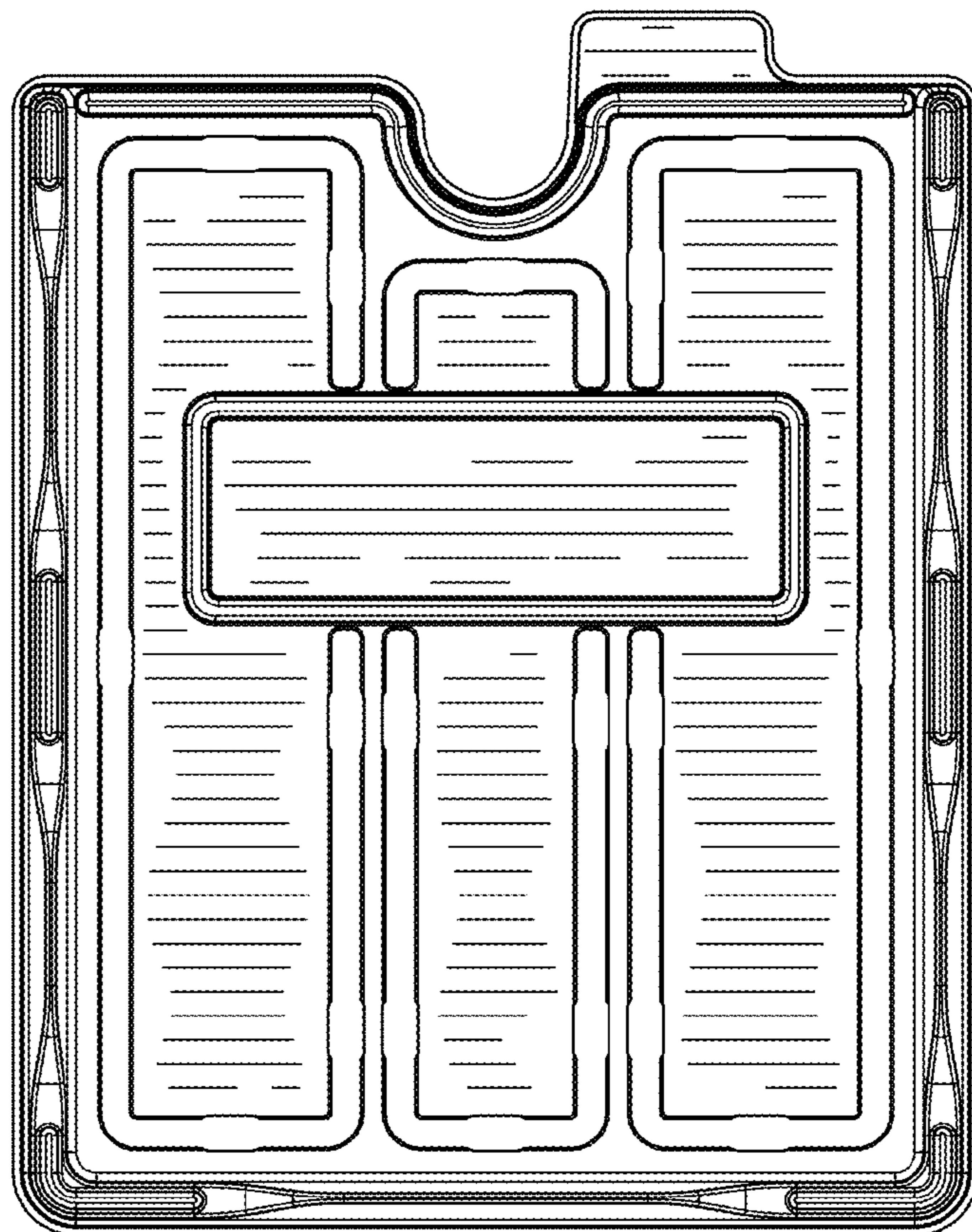


FIG. 20

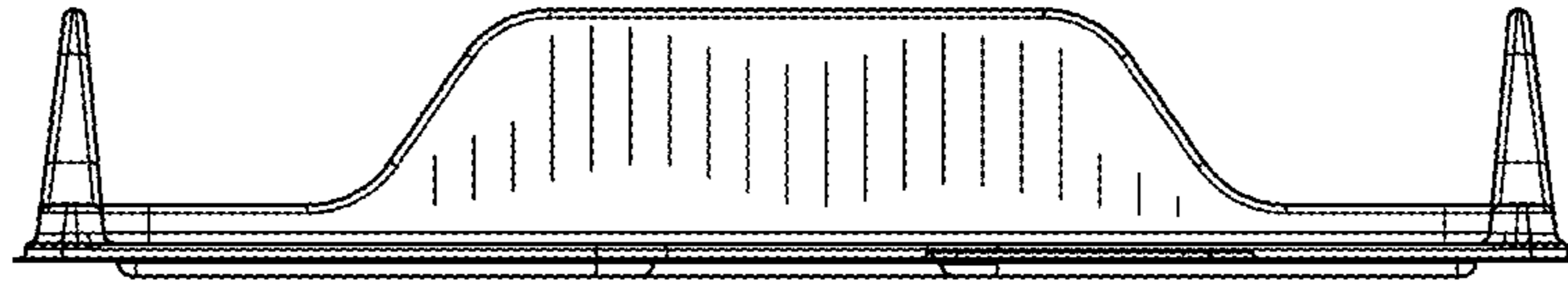


FIG. 21

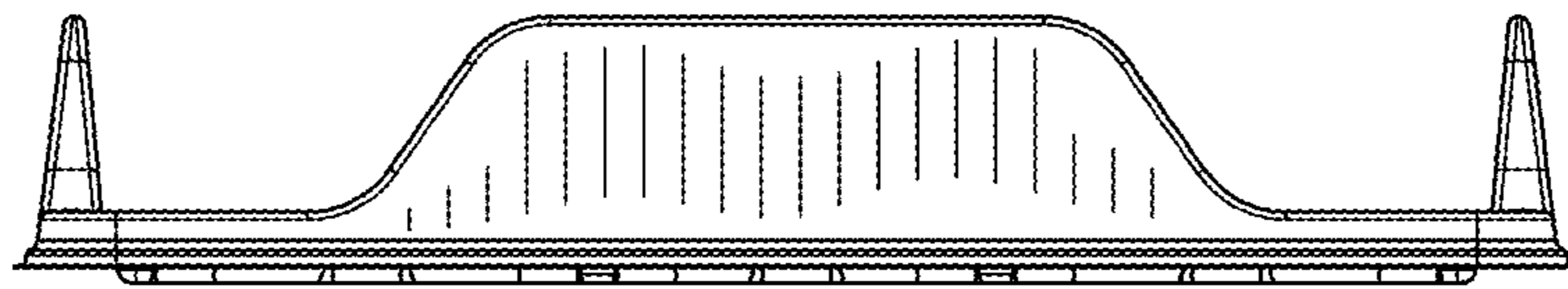


FIG. 22

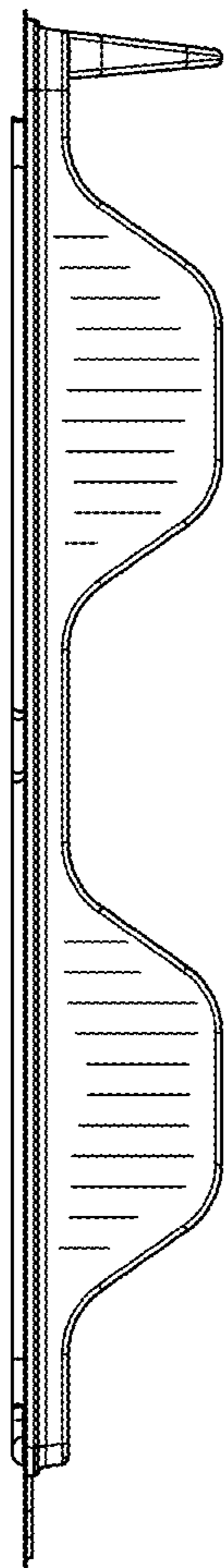


FIG. 23

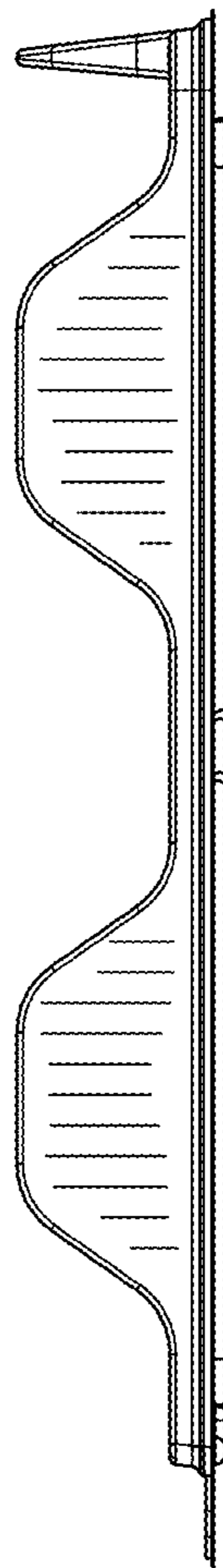


FIG. 24

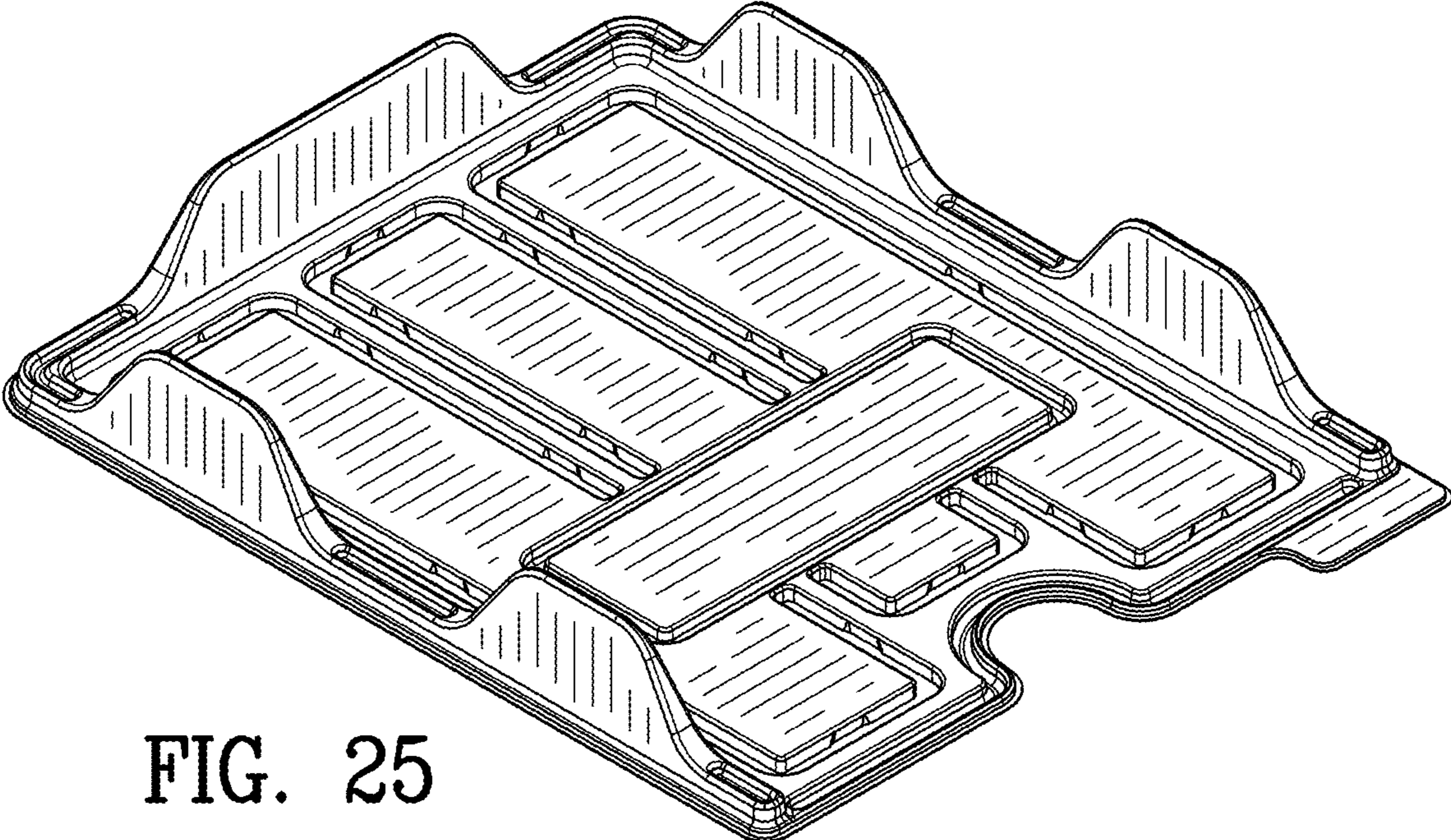


FIG. 25

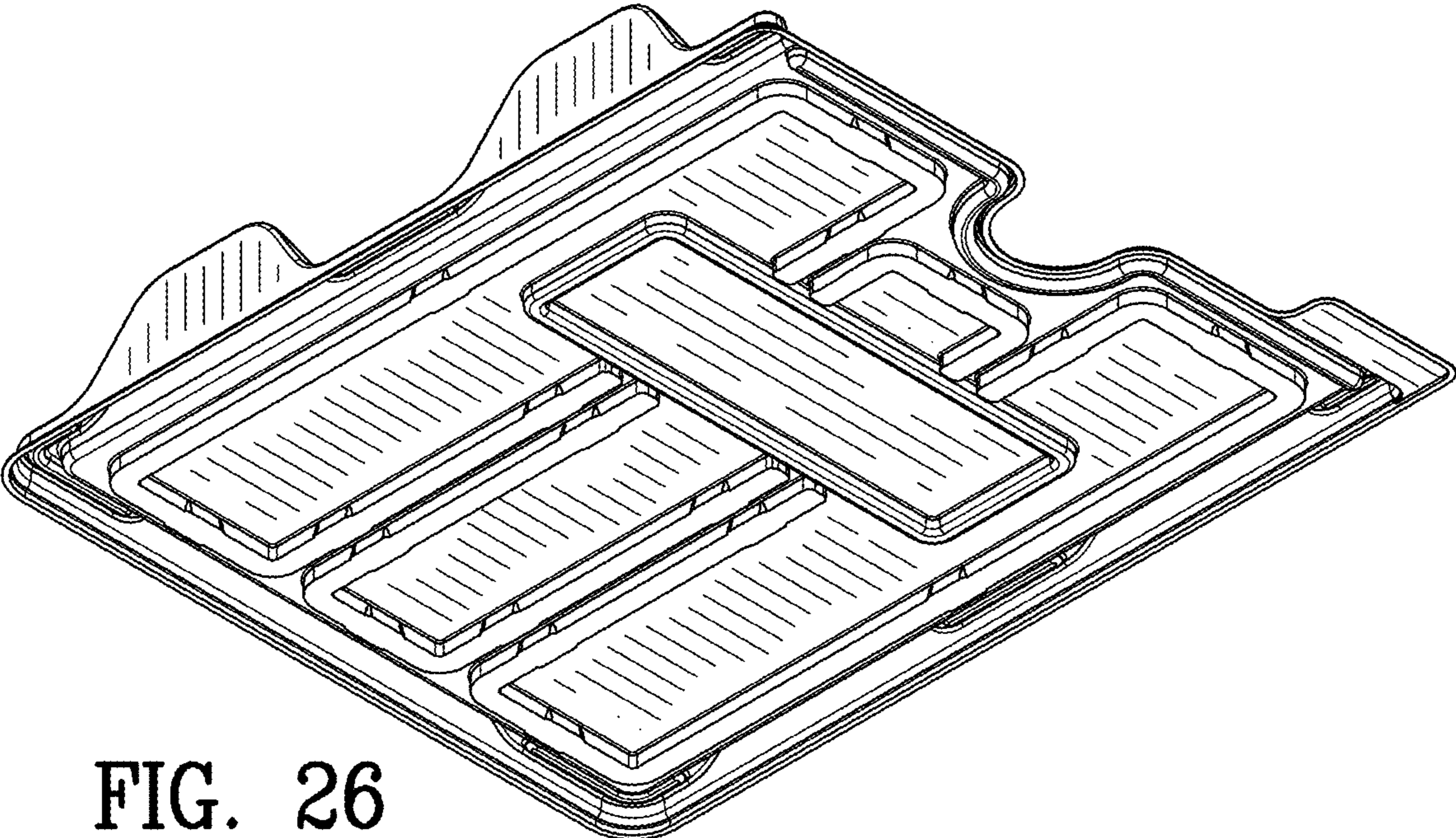


FIG. 26

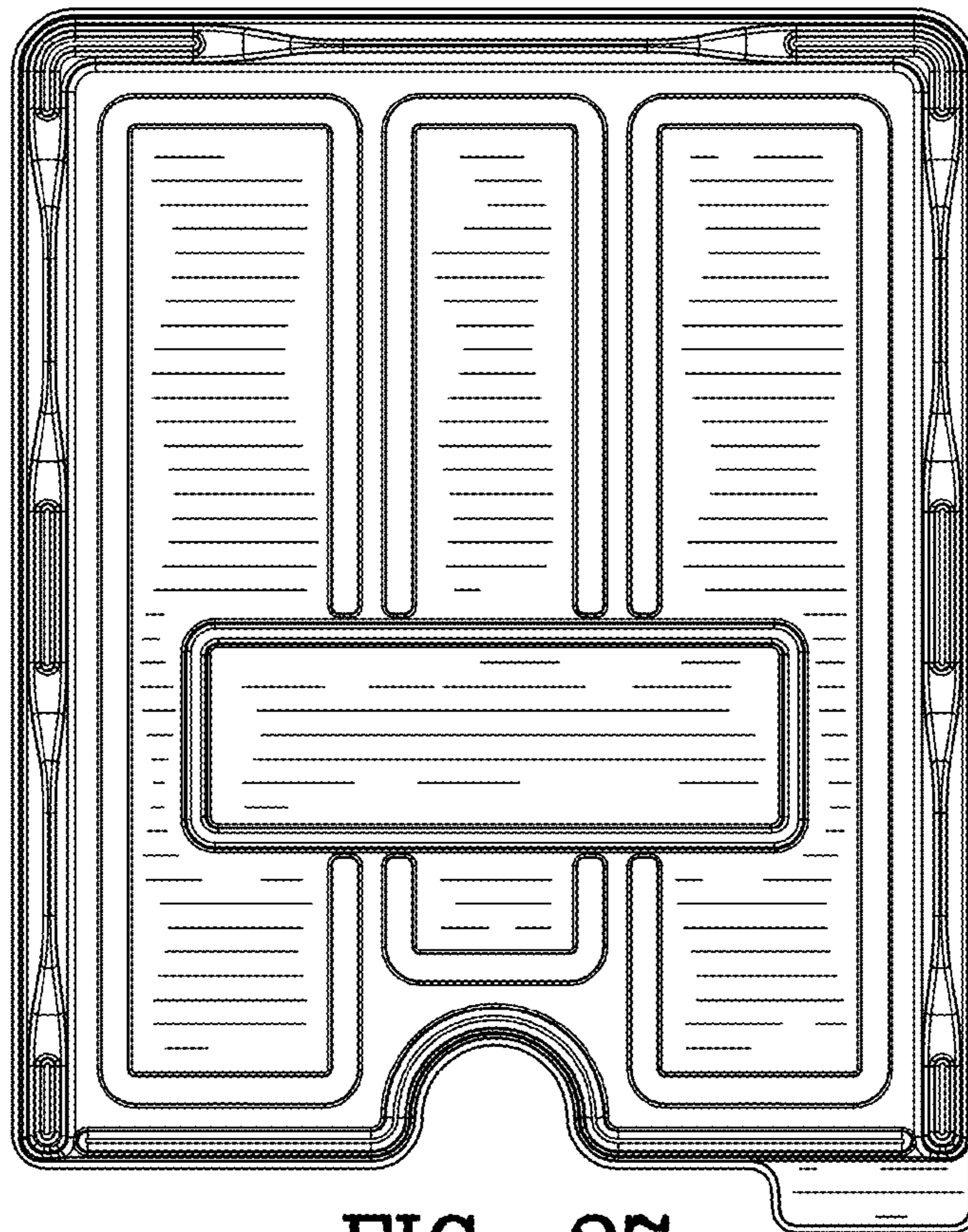


FIG. 27

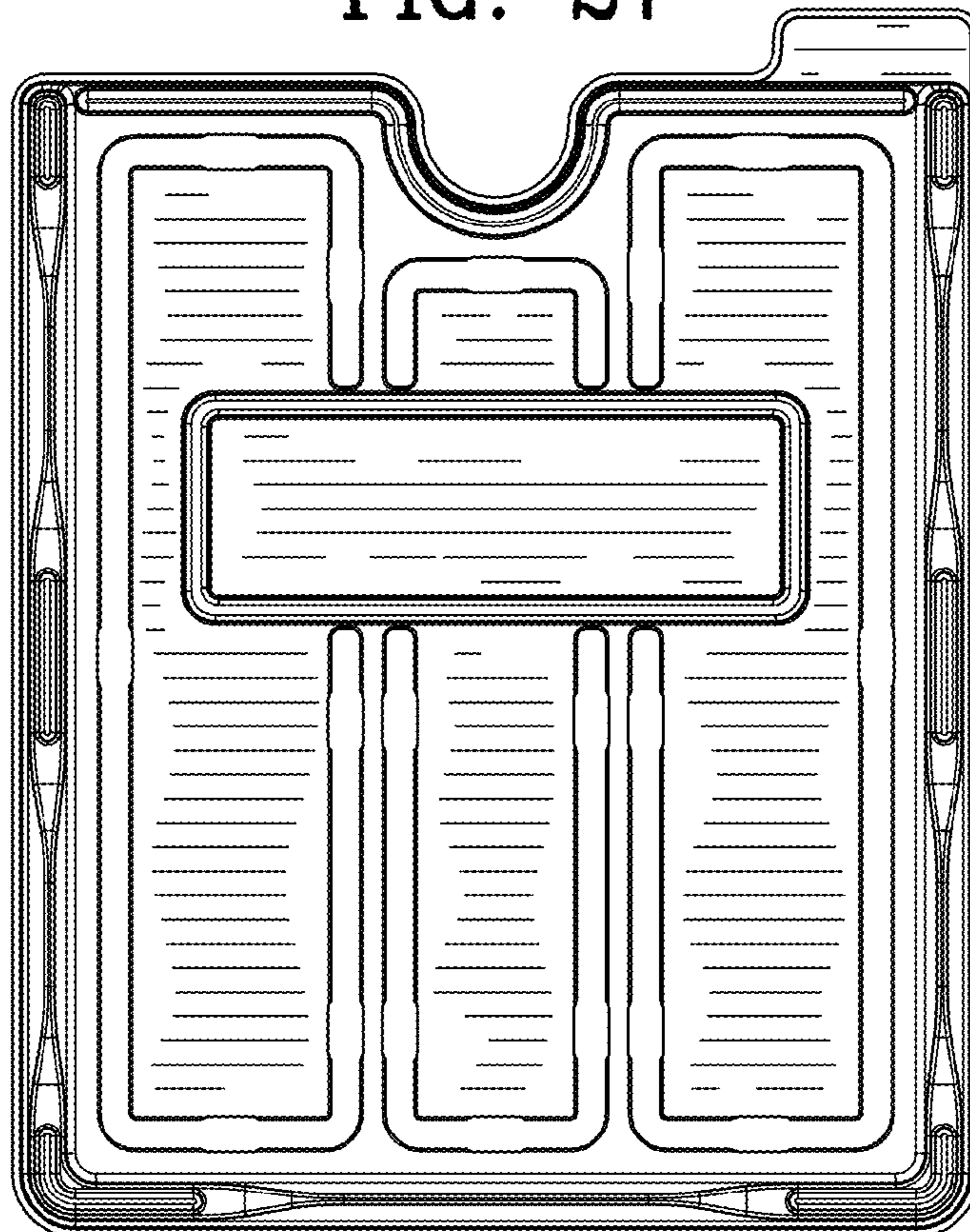


FIG. 28

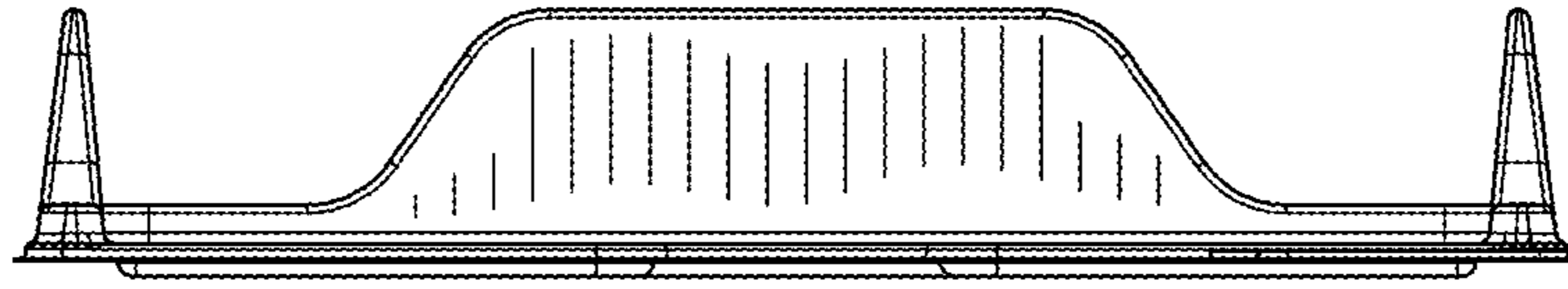


FIG. 29

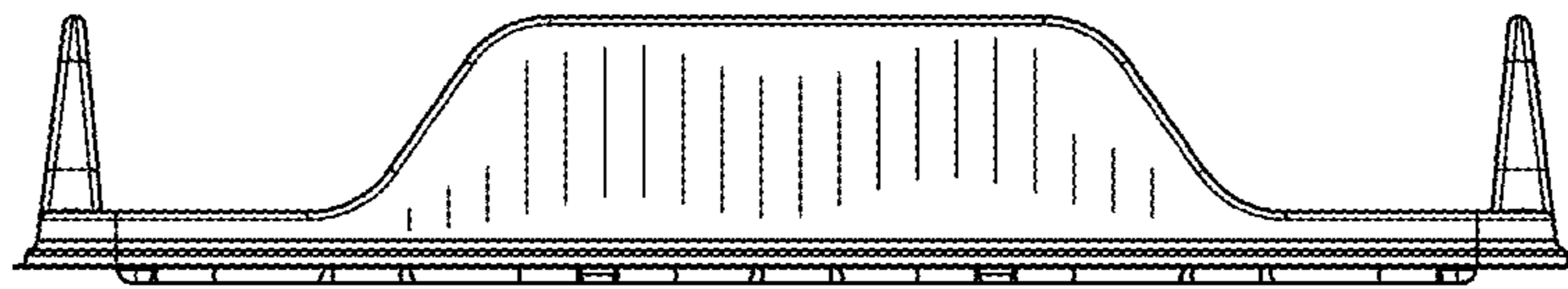


FIG. 30

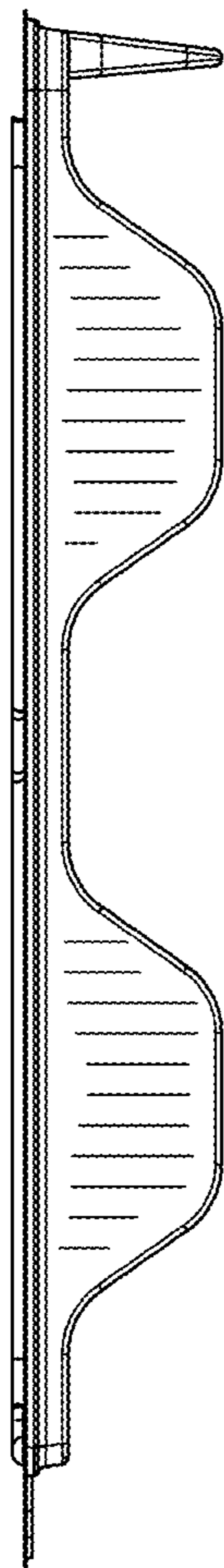


FIG. 31

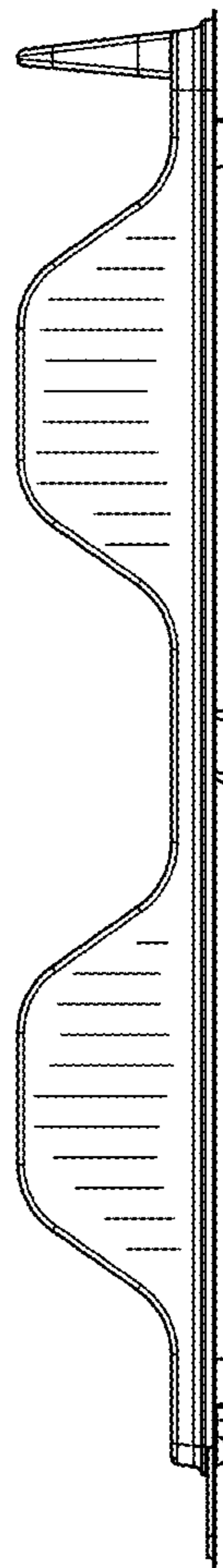


FIG. 32

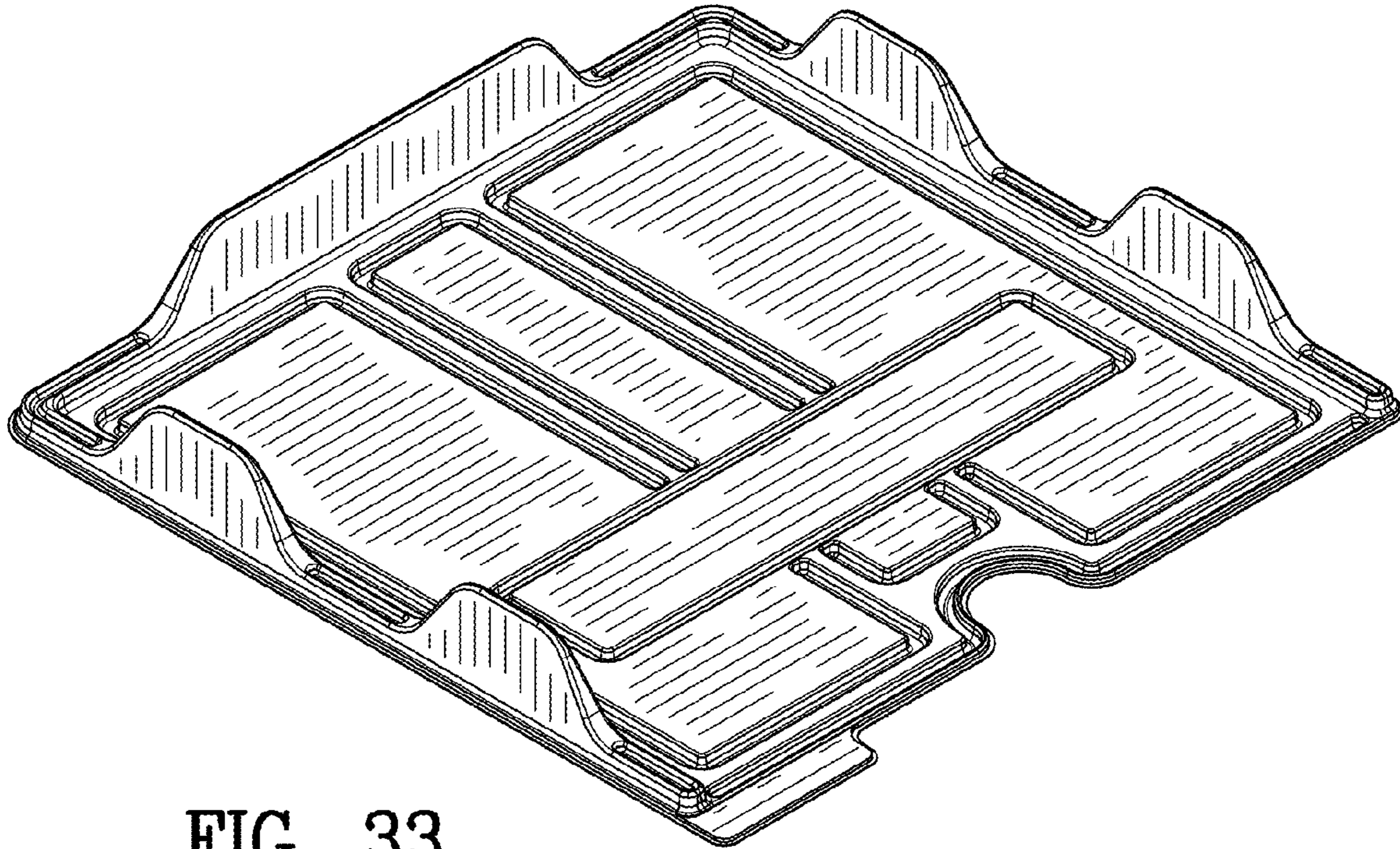


FIG. 33

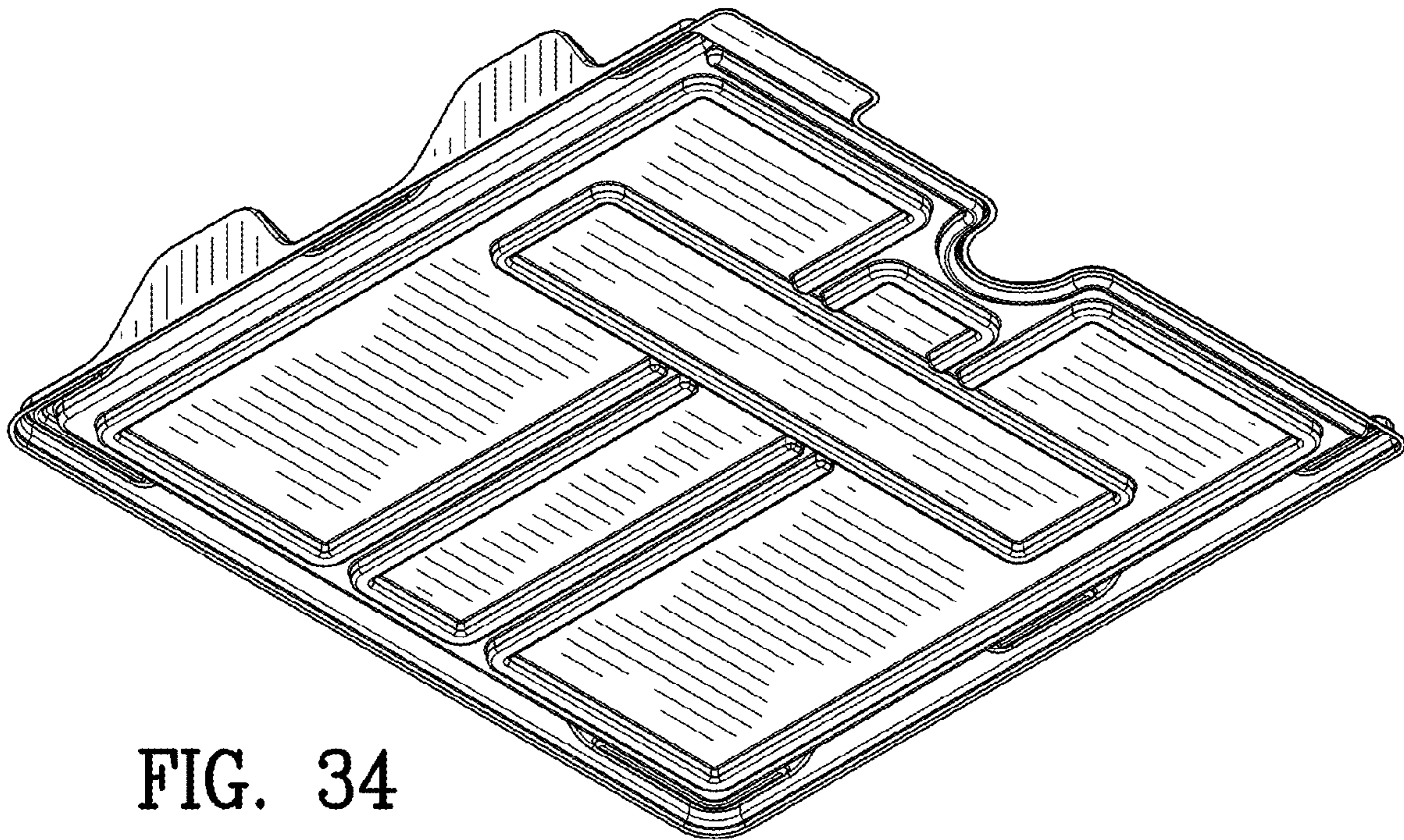


FIG. 34

FIG. 35

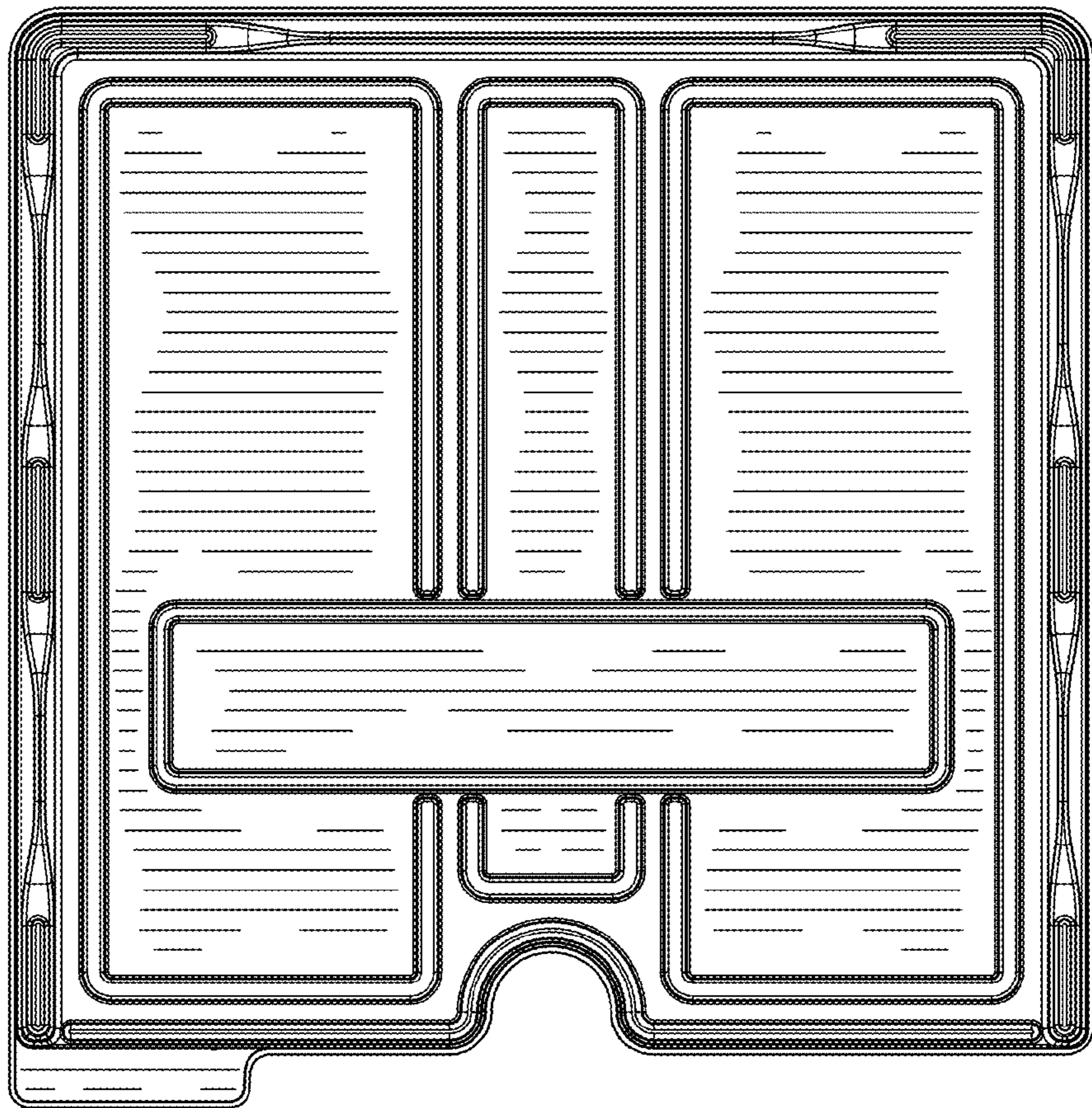
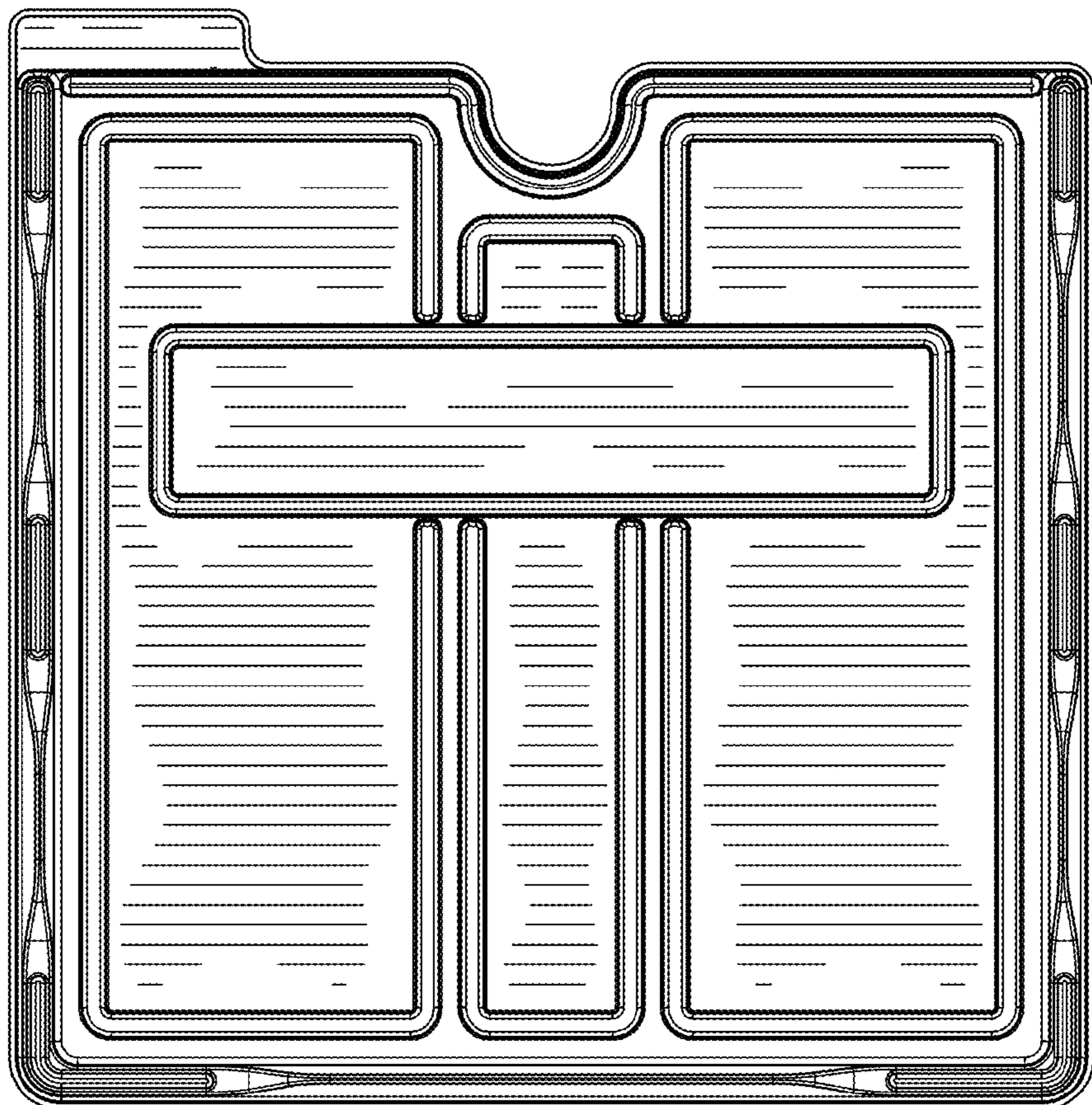


FIG. 36



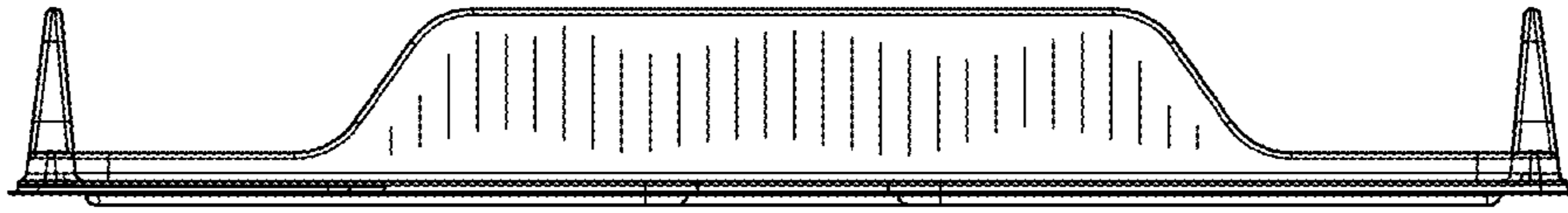


FIG. 37

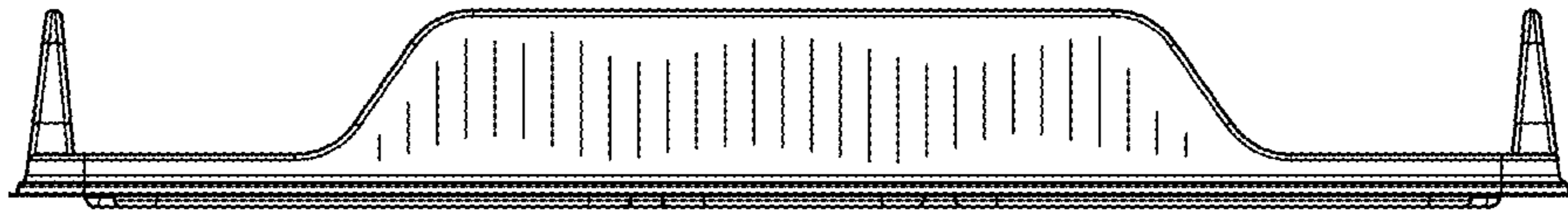


FIG. 38

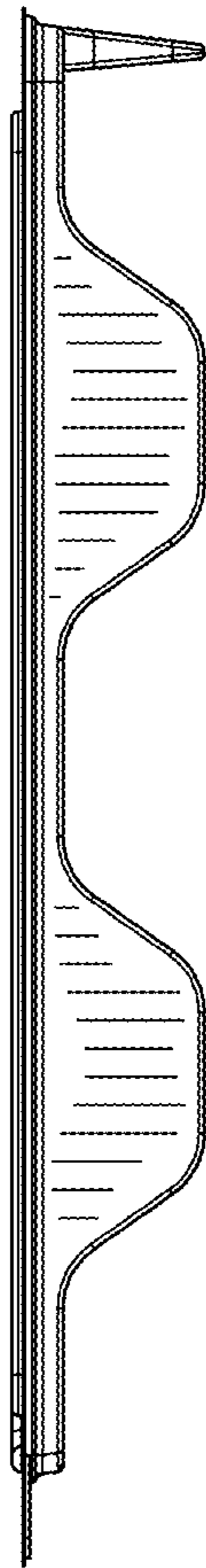


FIG. 39

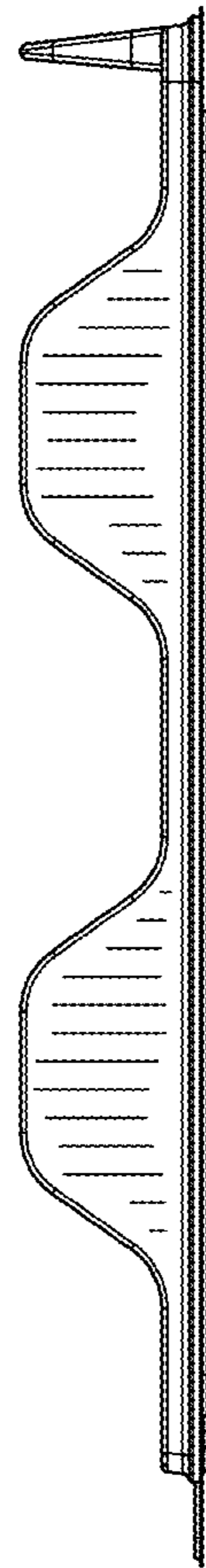


FIG. 40

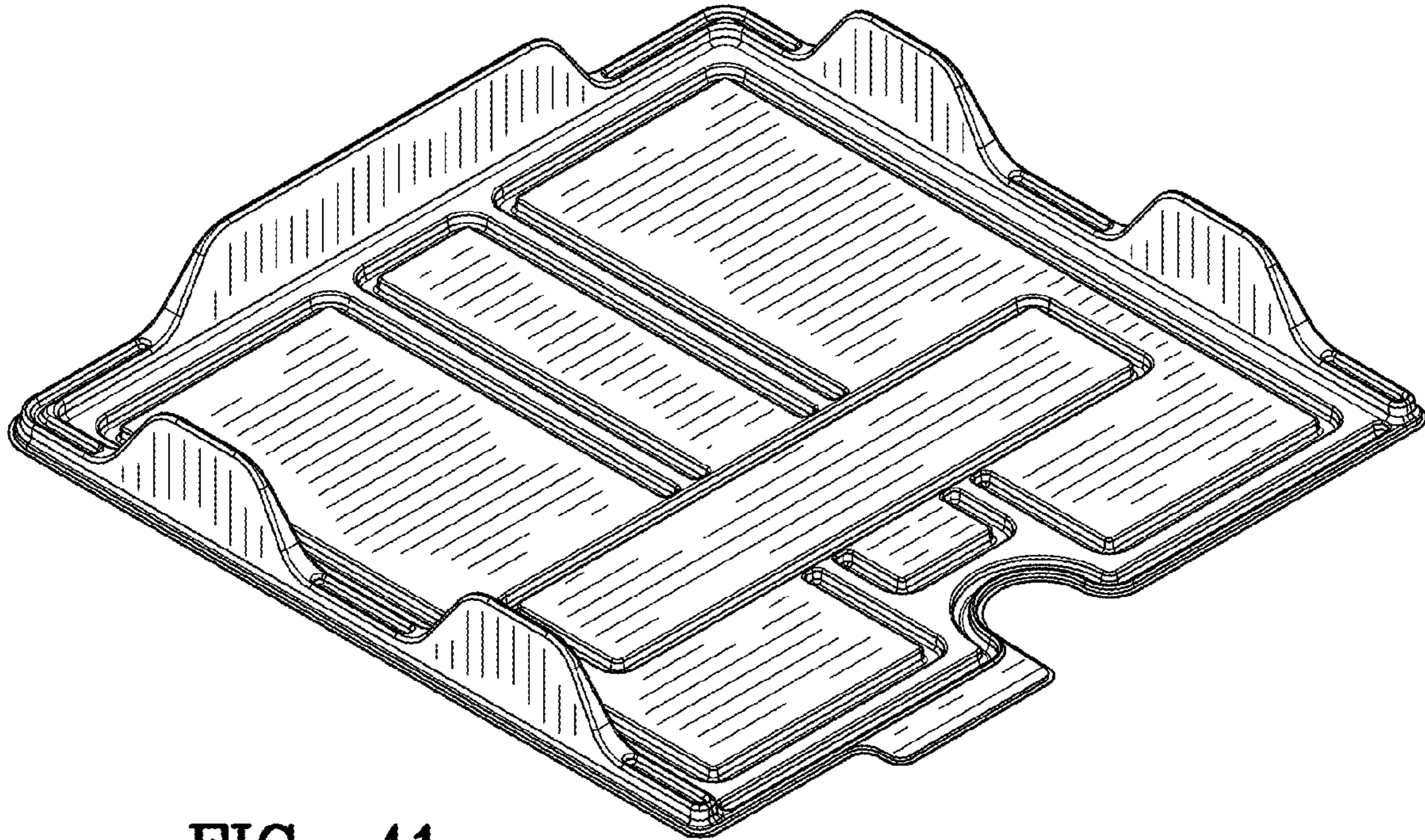


FIG. 41

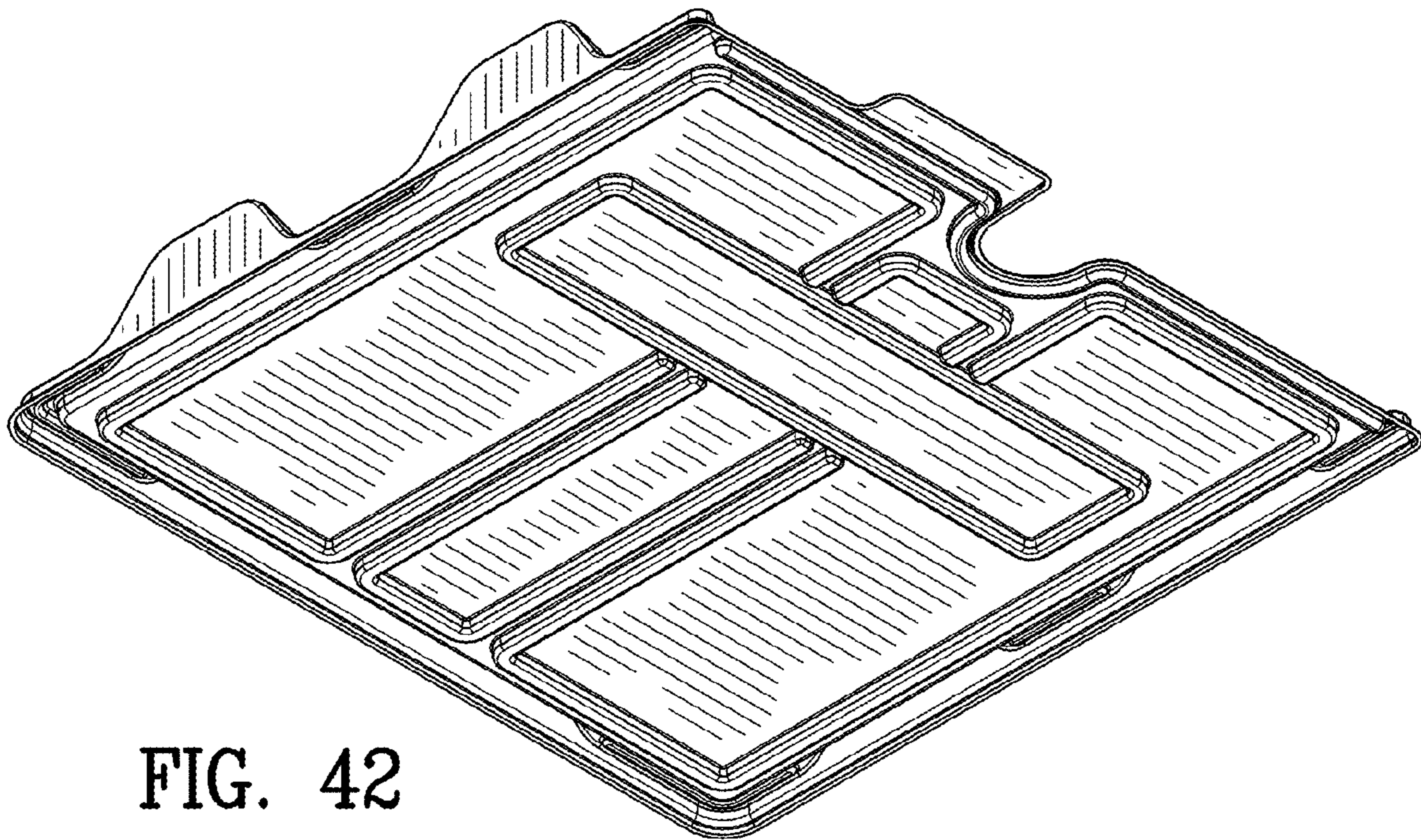


FIG. 42

FIG. 43

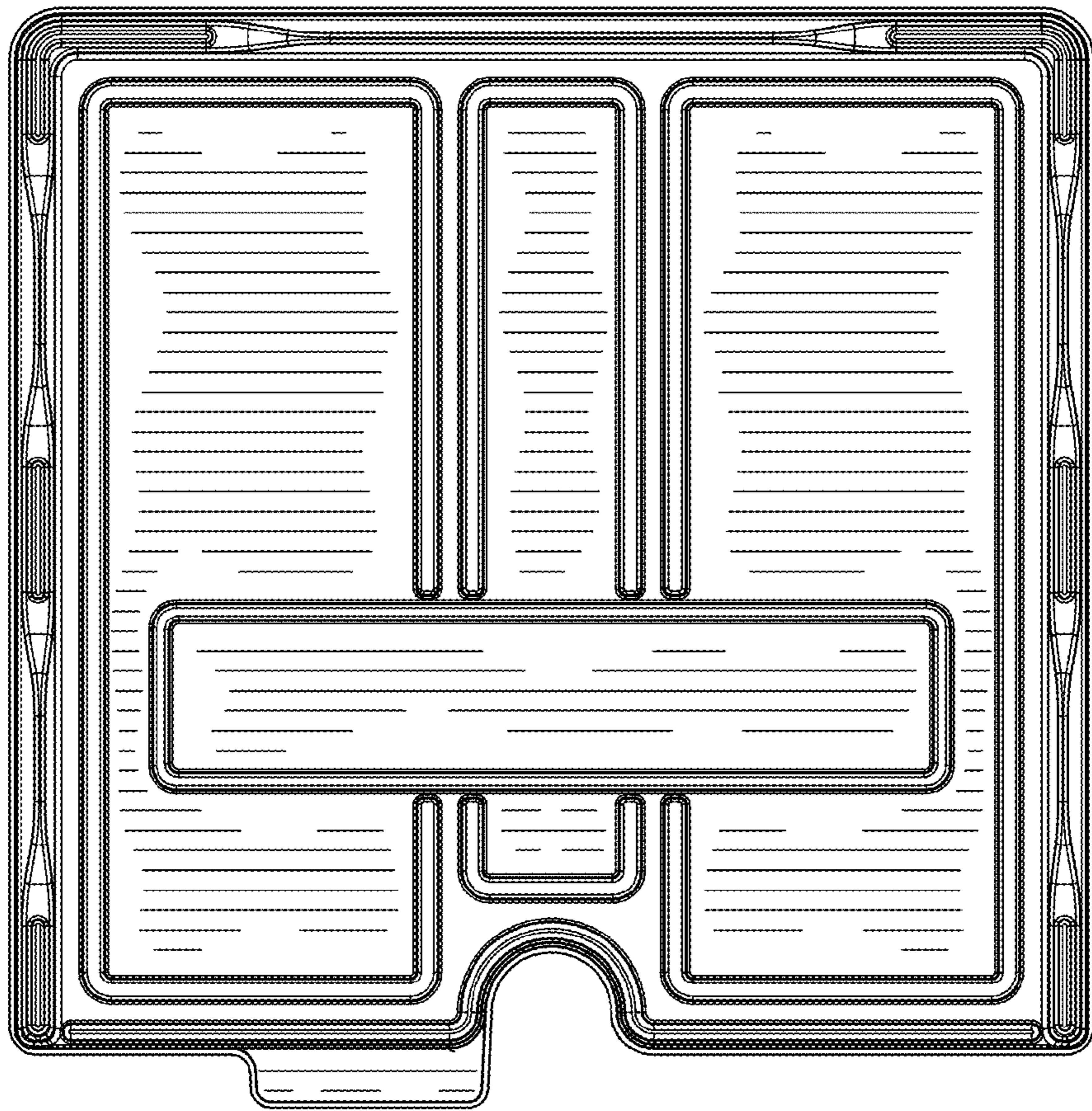
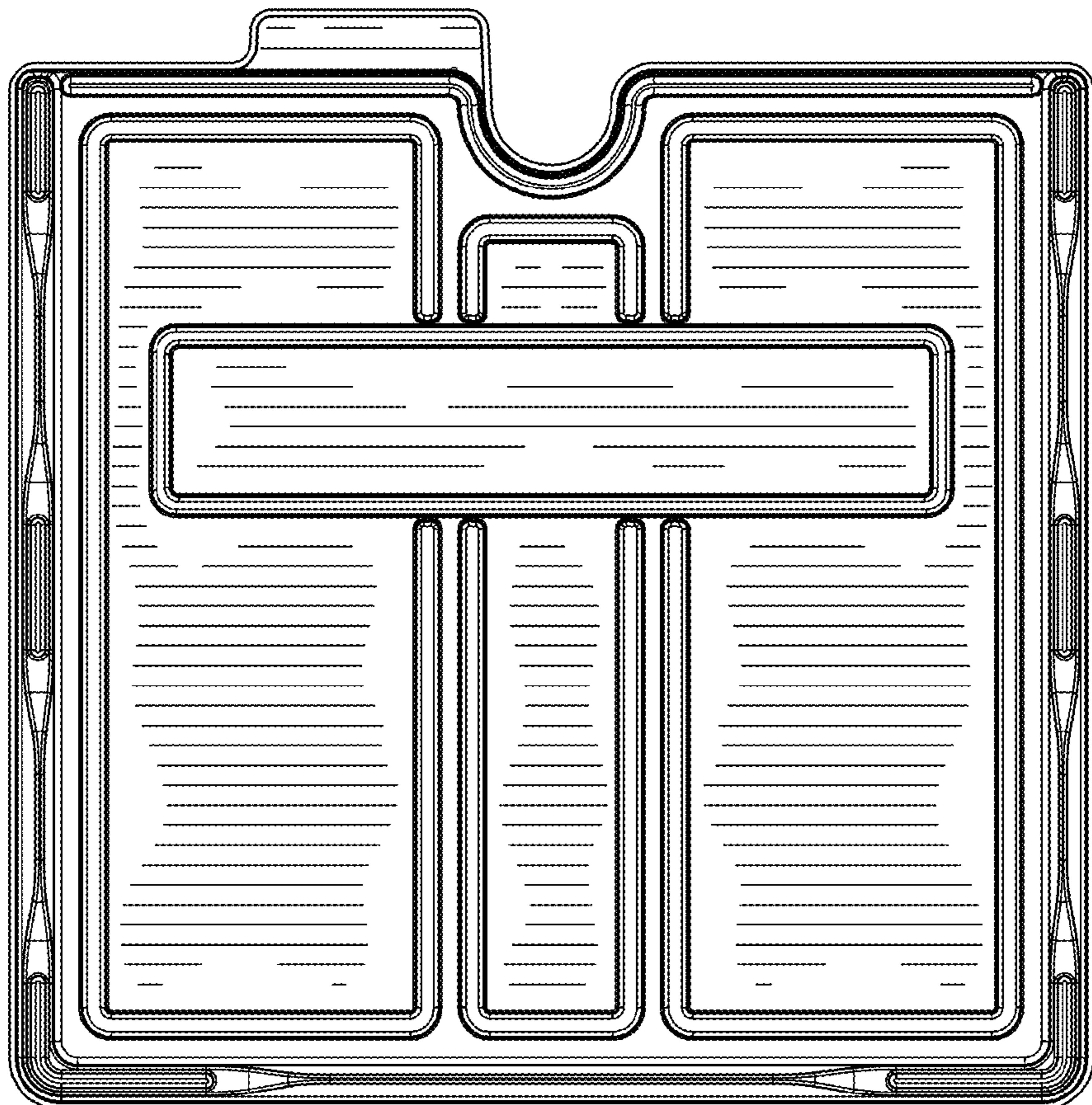


FIG. 44



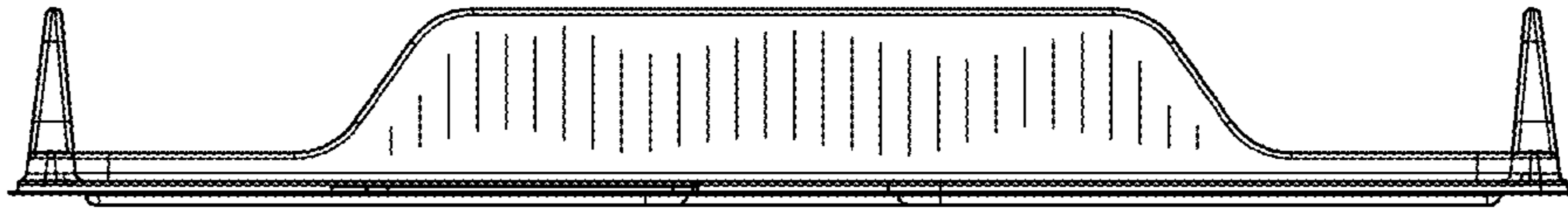


FIG. 45

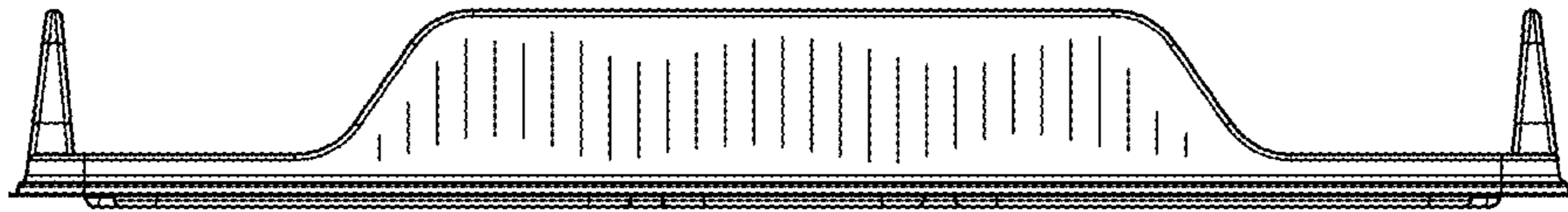


FIG. 46

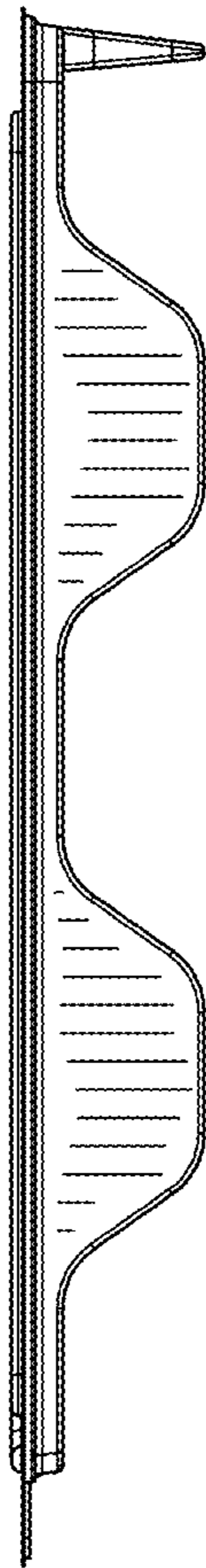


FIG. 47

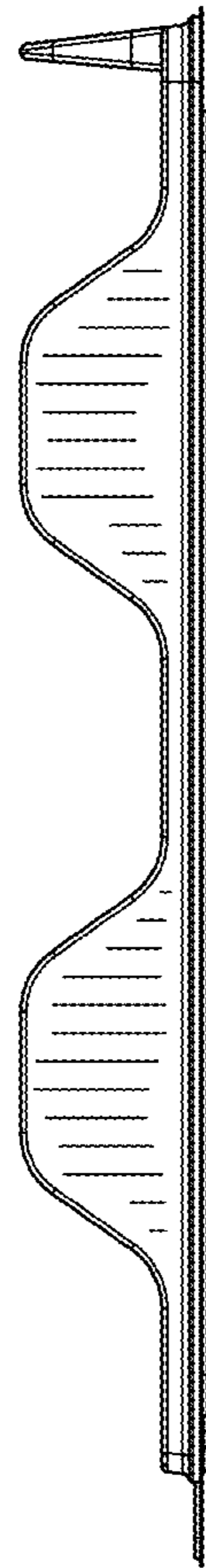


FIG. 48

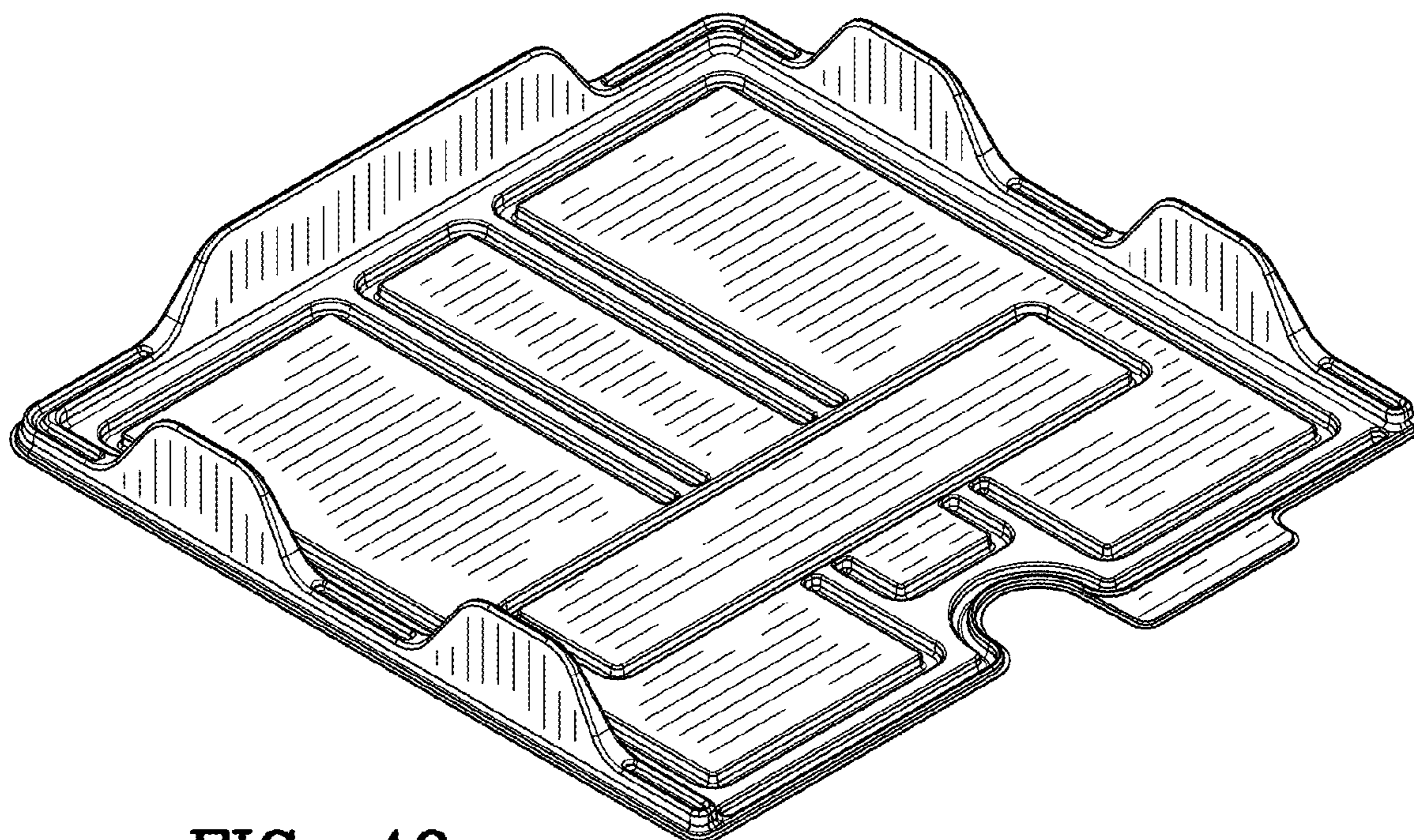


FIG. 49

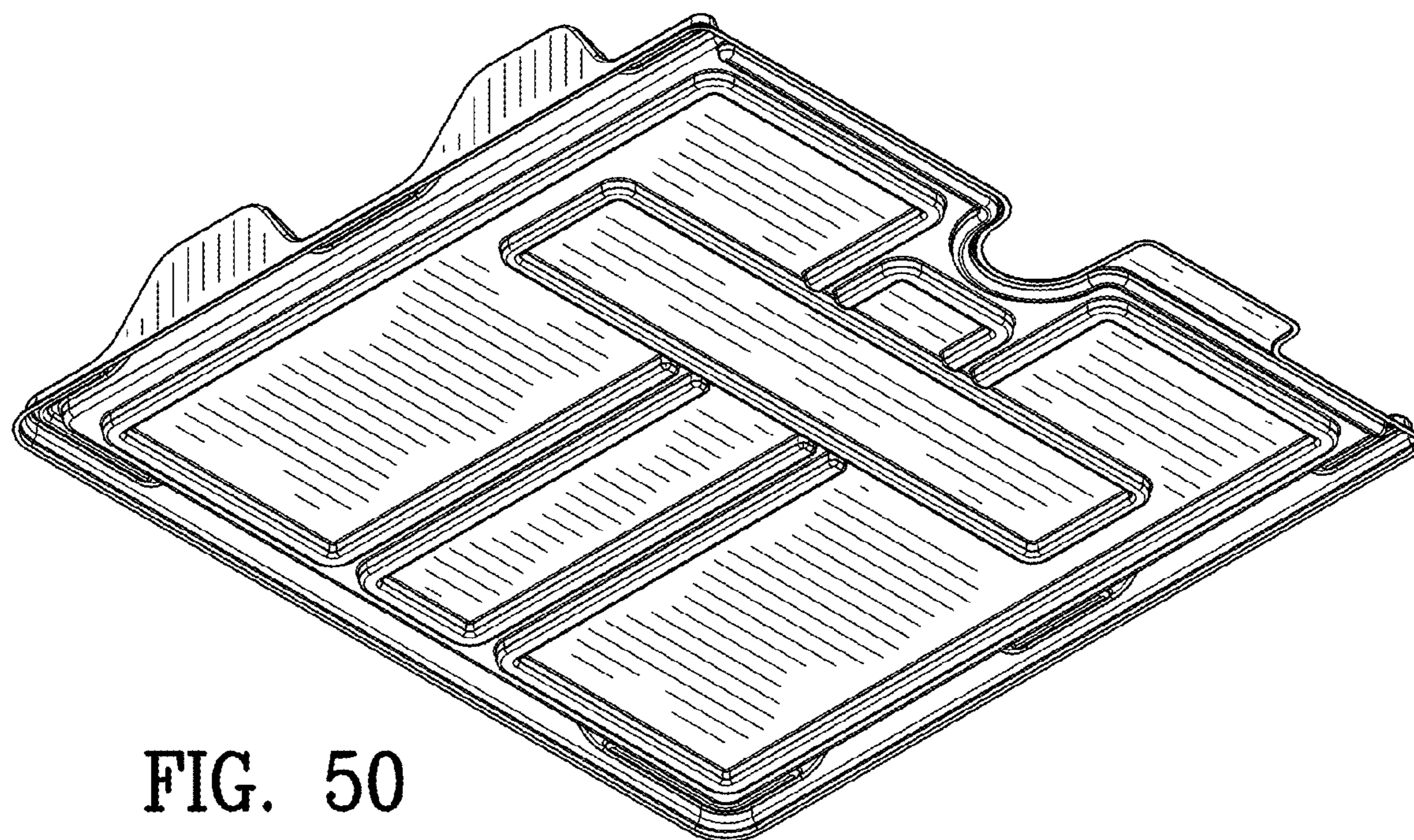


FIG. 50

FIG. 51

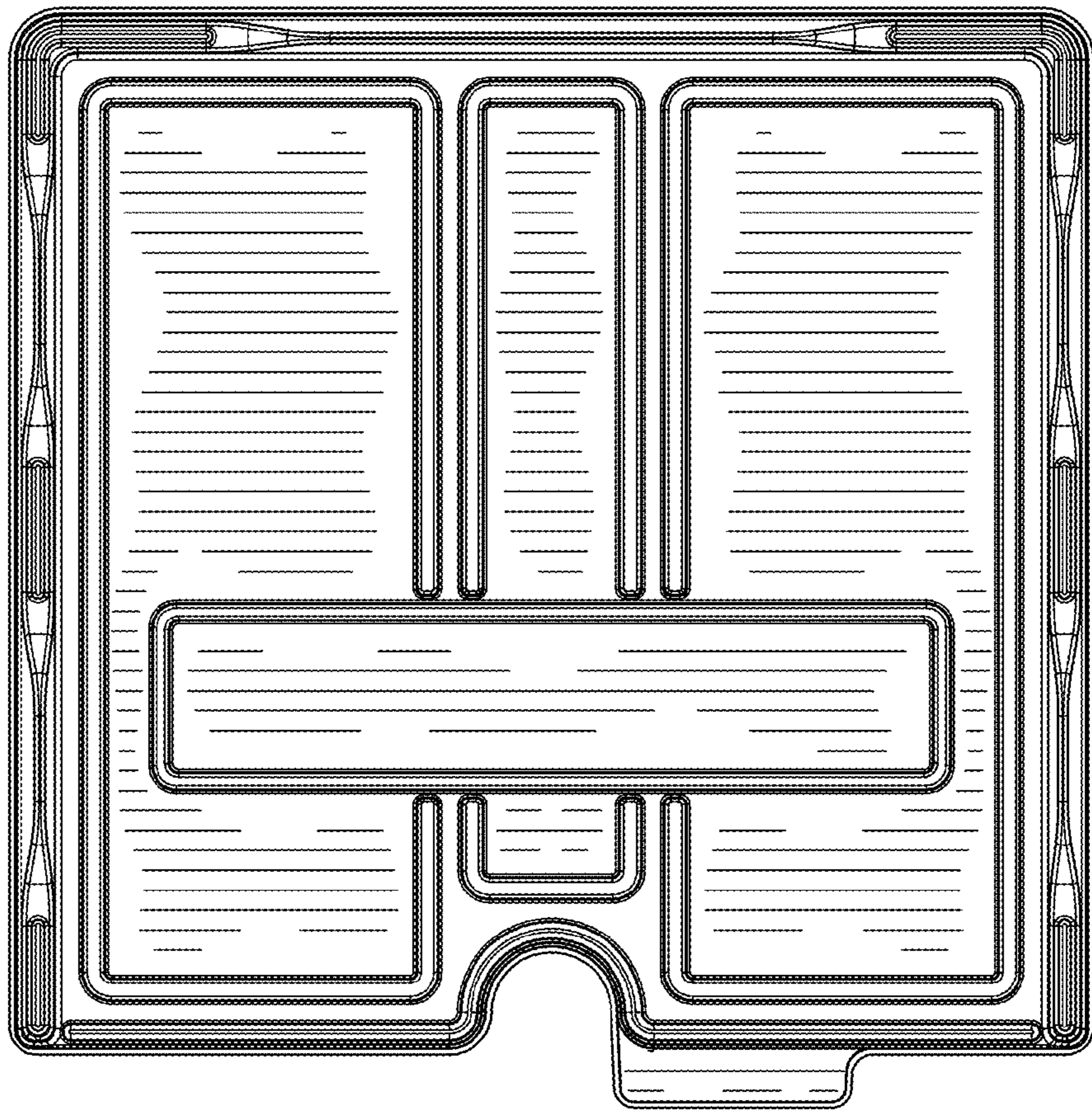
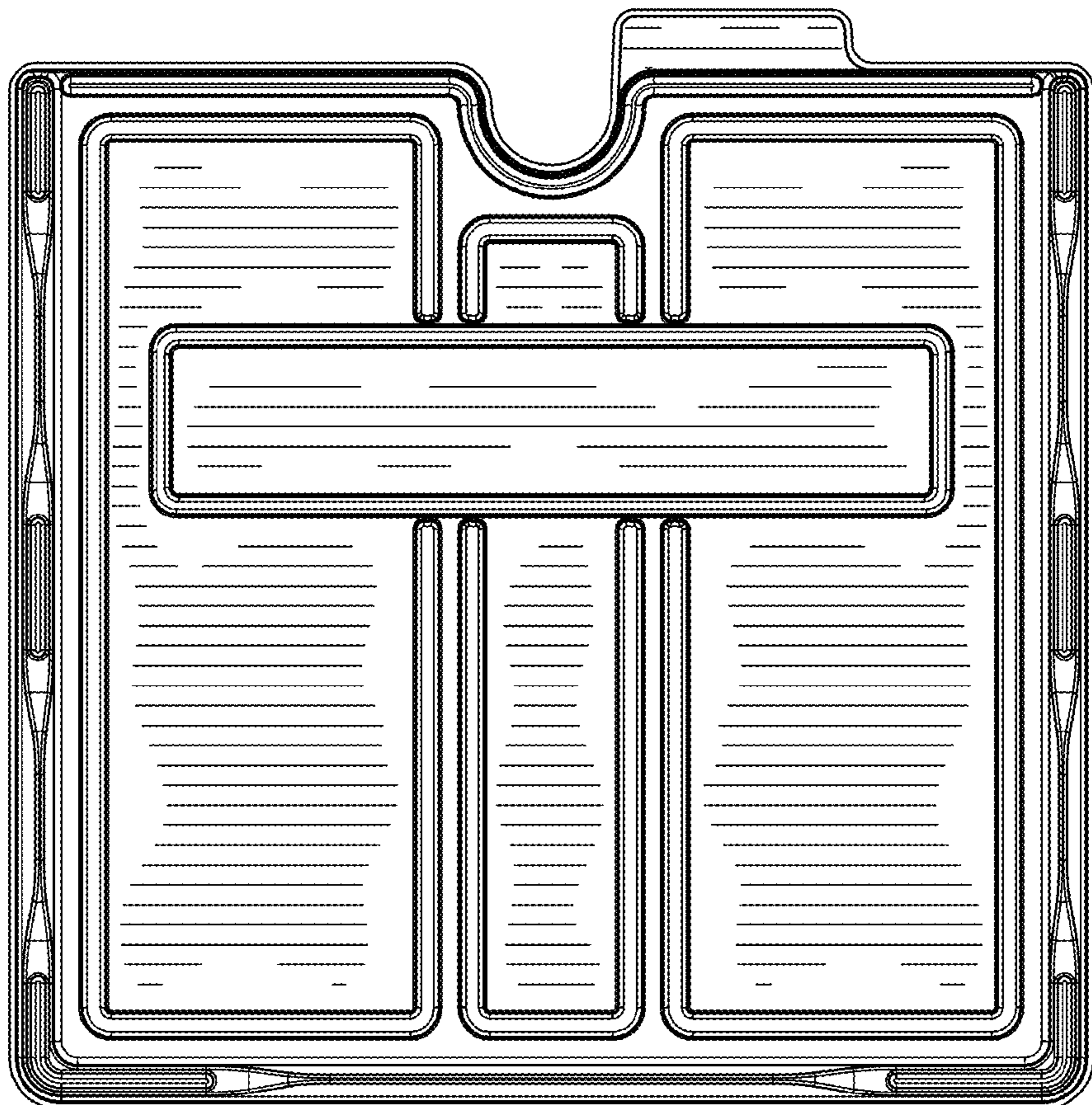


FIG. 52



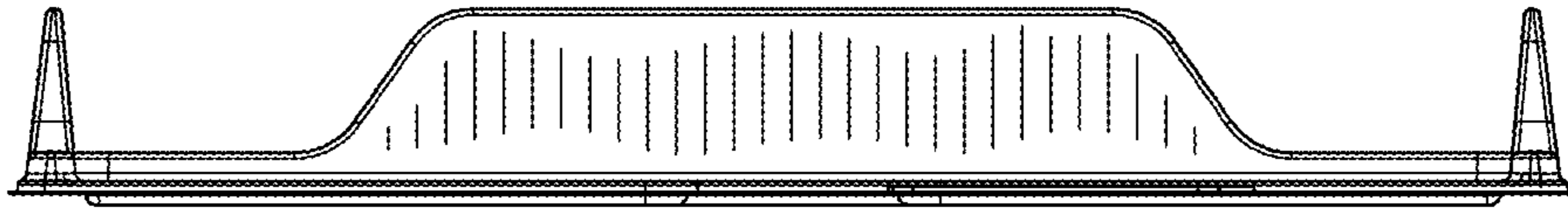


FIG. 53

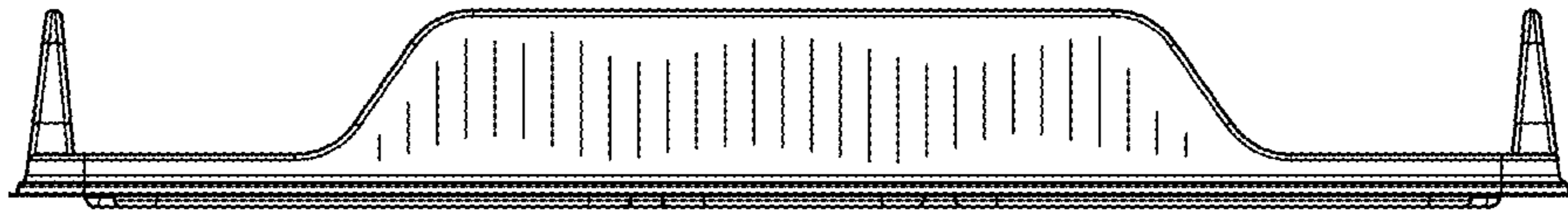


FIG. 54

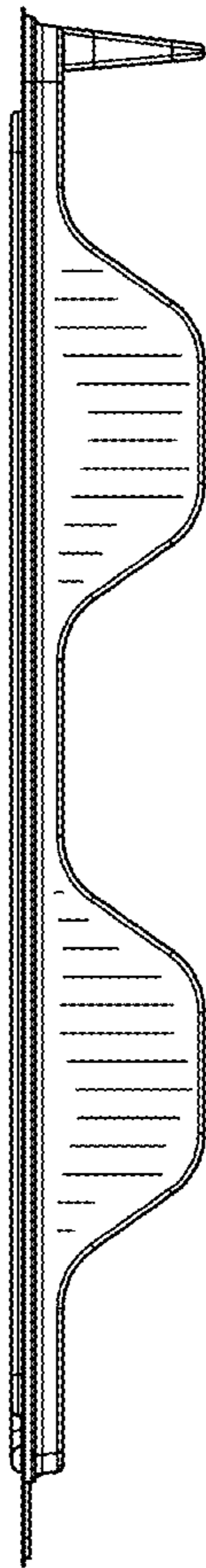


FIG. 55

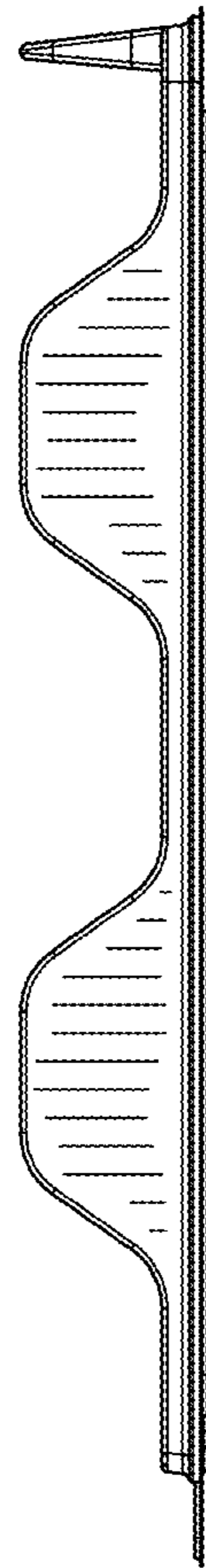


FIG. 56

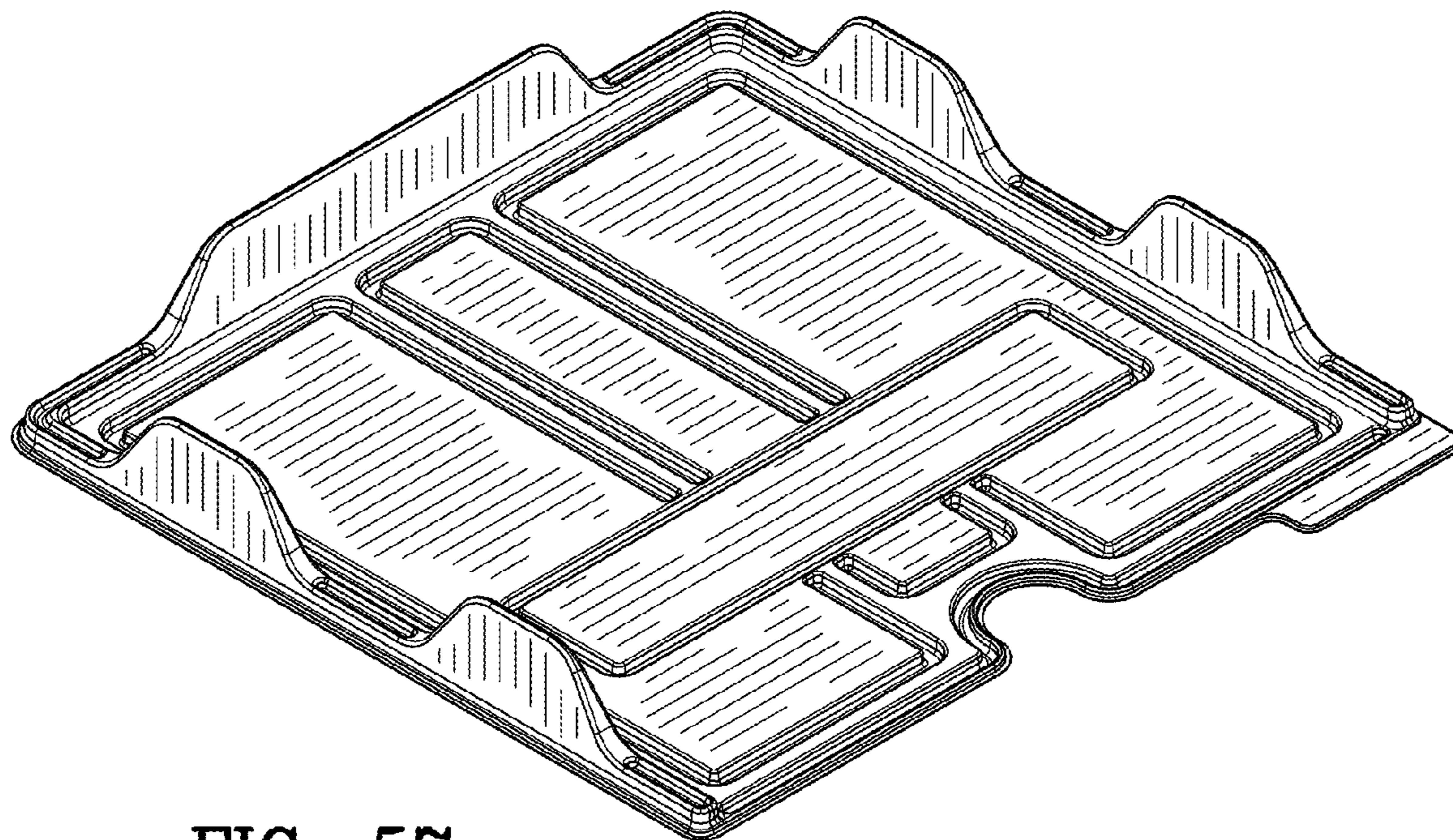


FIG. 57

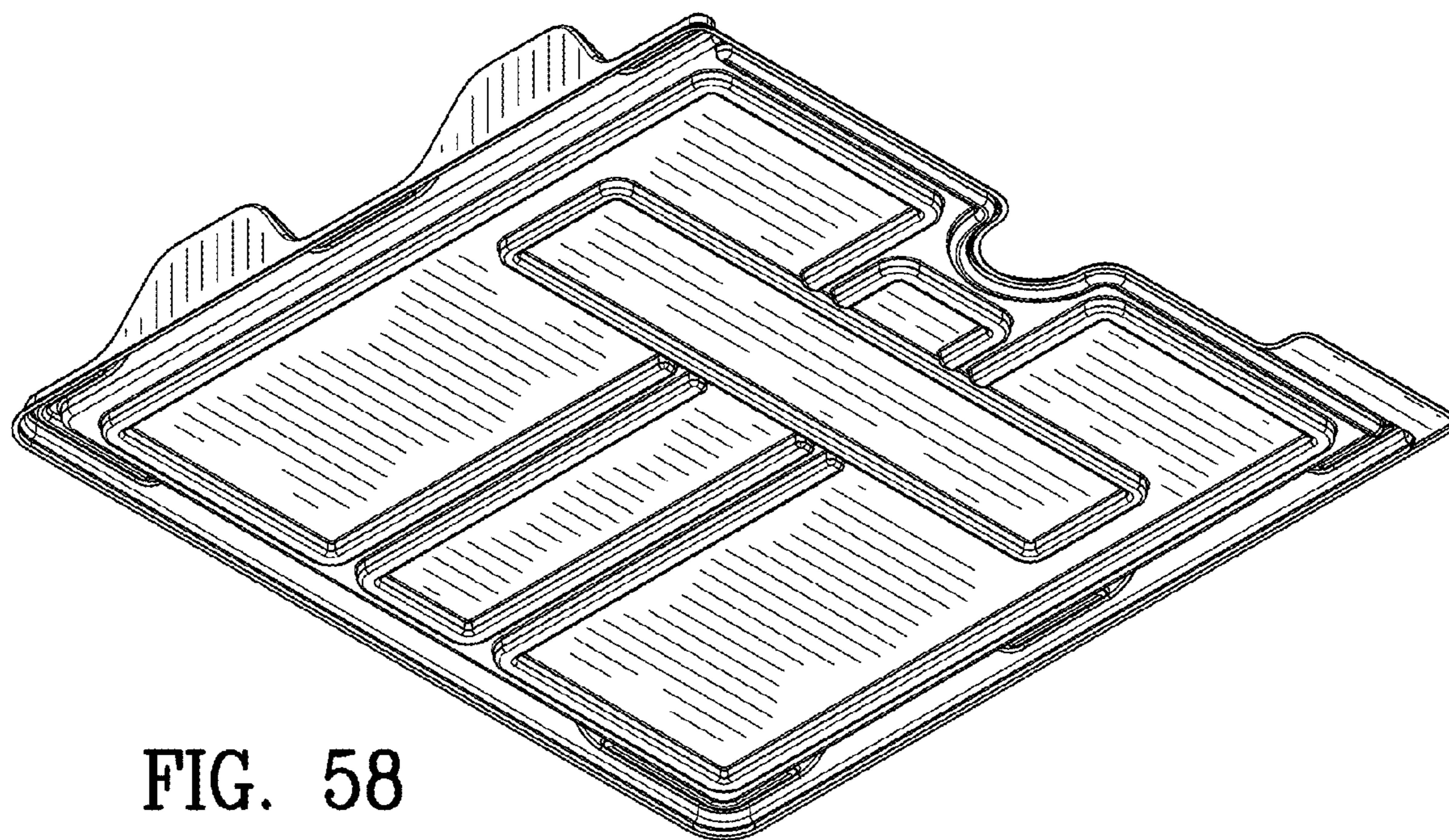


FIG. 58

FIG. 59

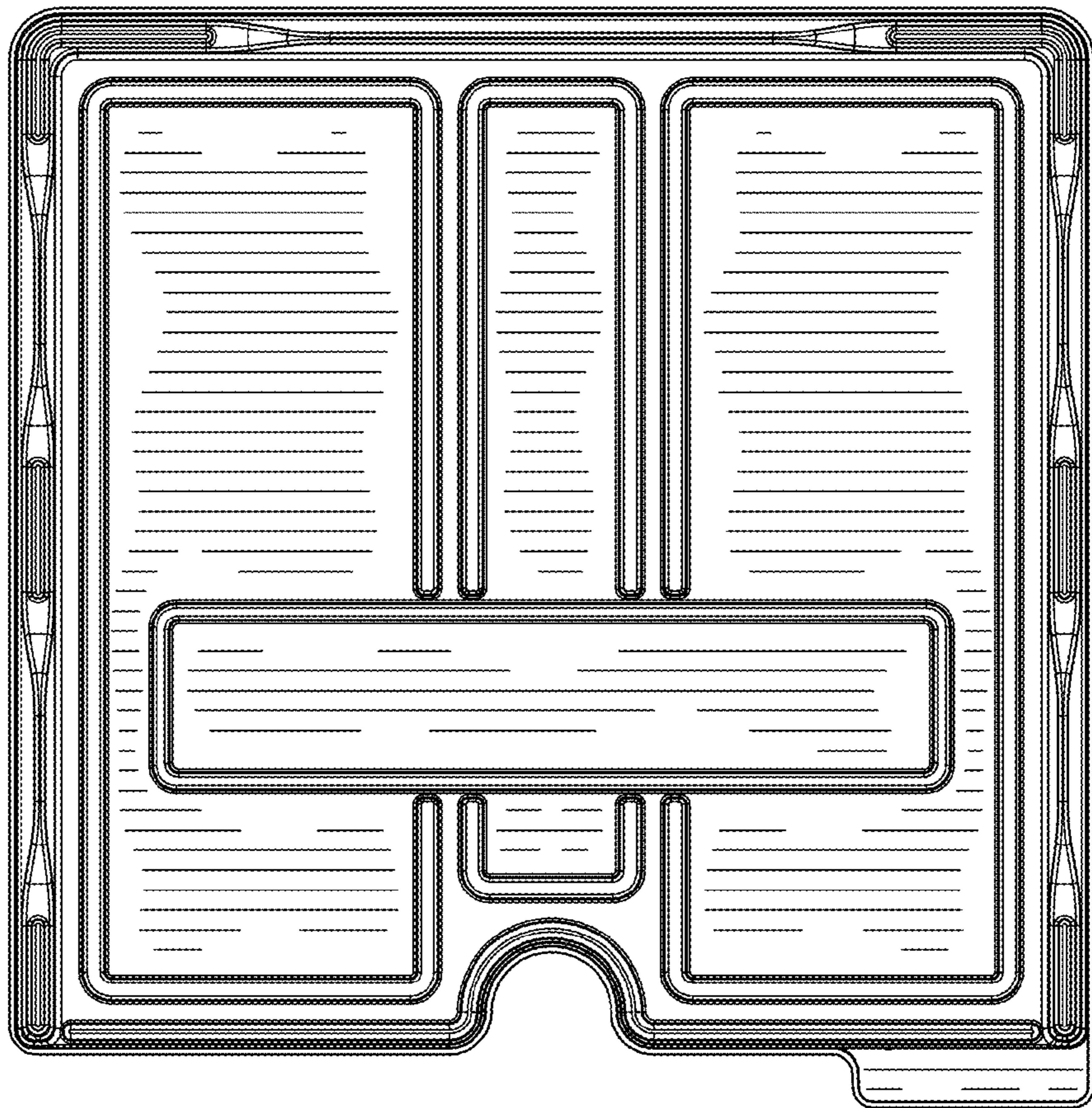
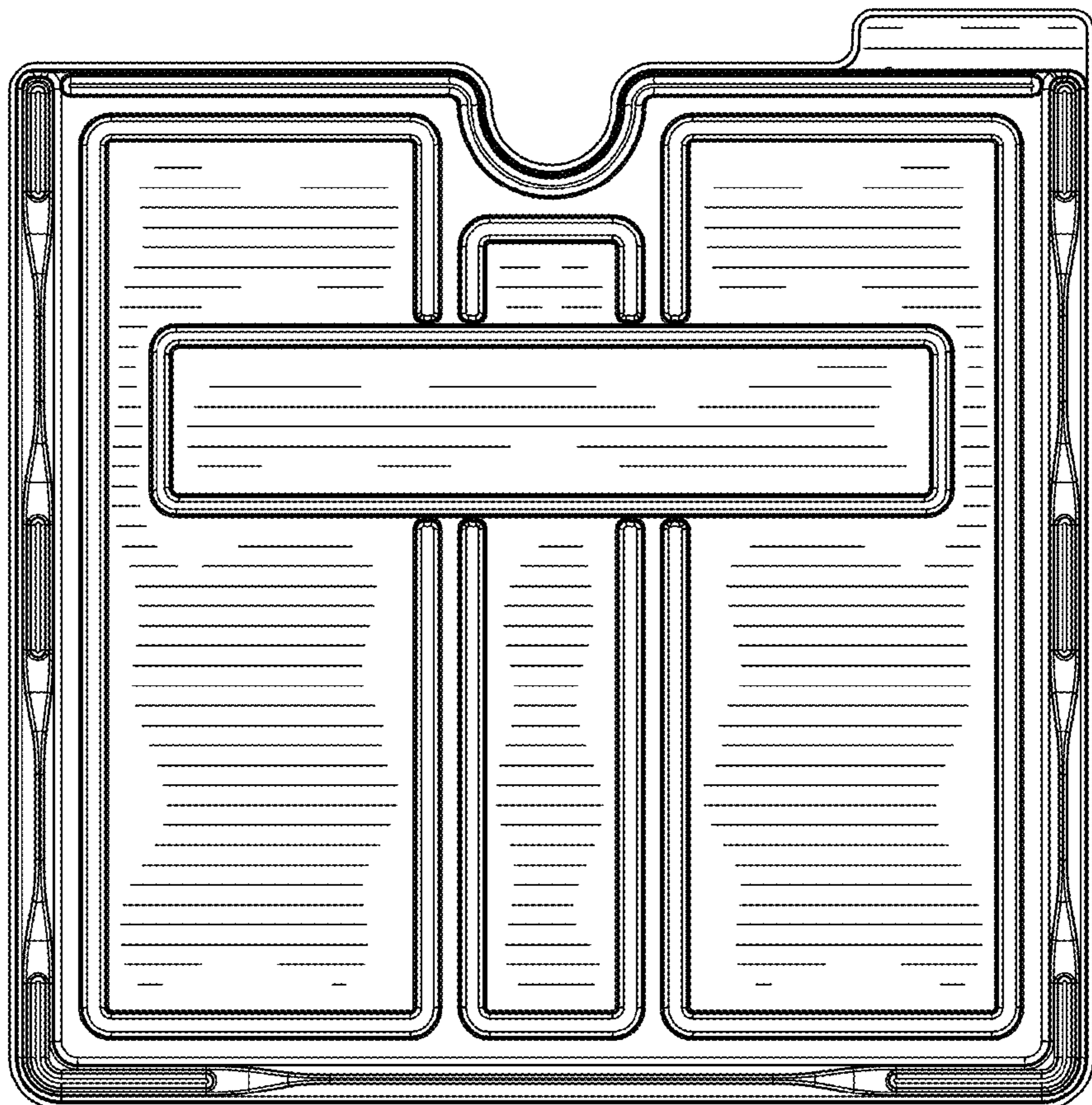


FIG. 60



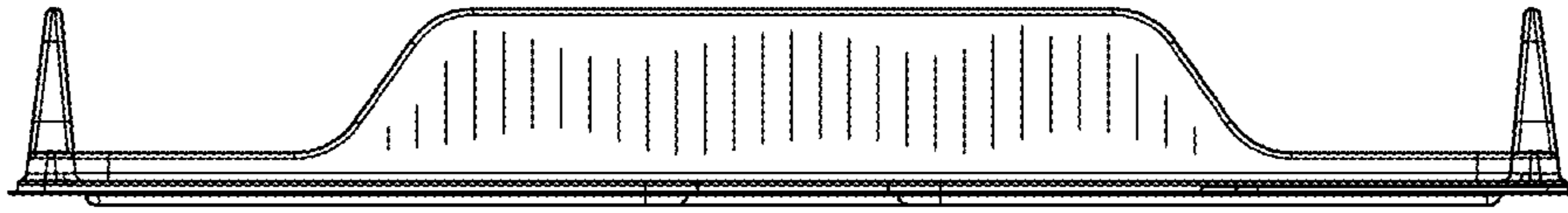


FIG. 61

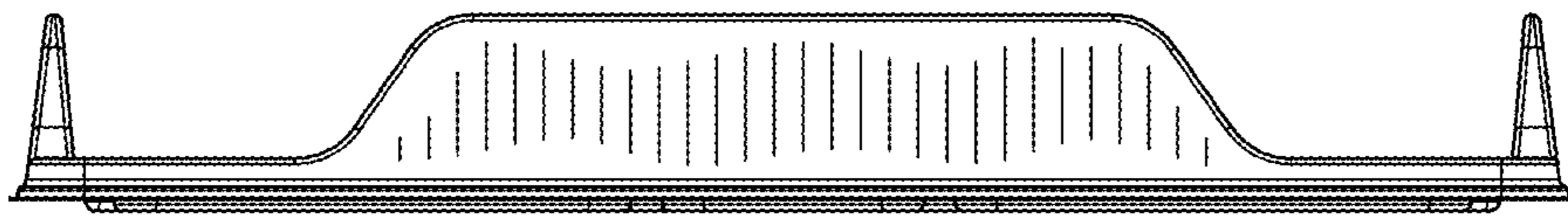


FIG. 62

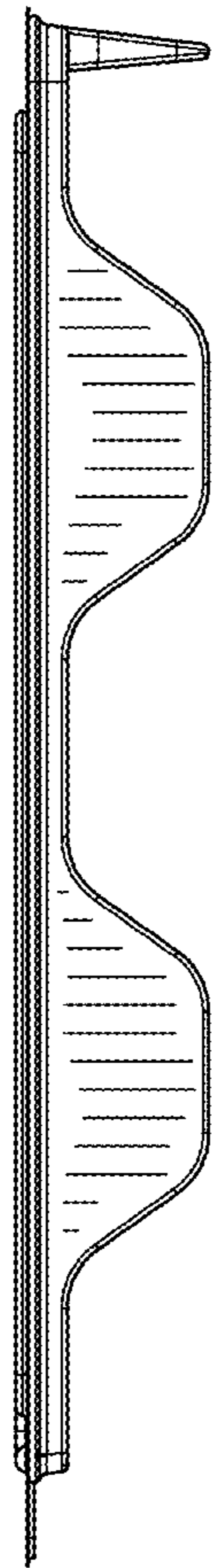


FIG. 63

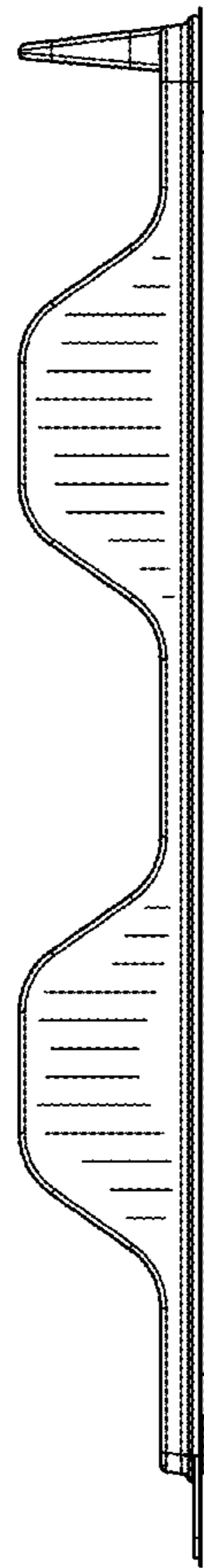


FIG. 64